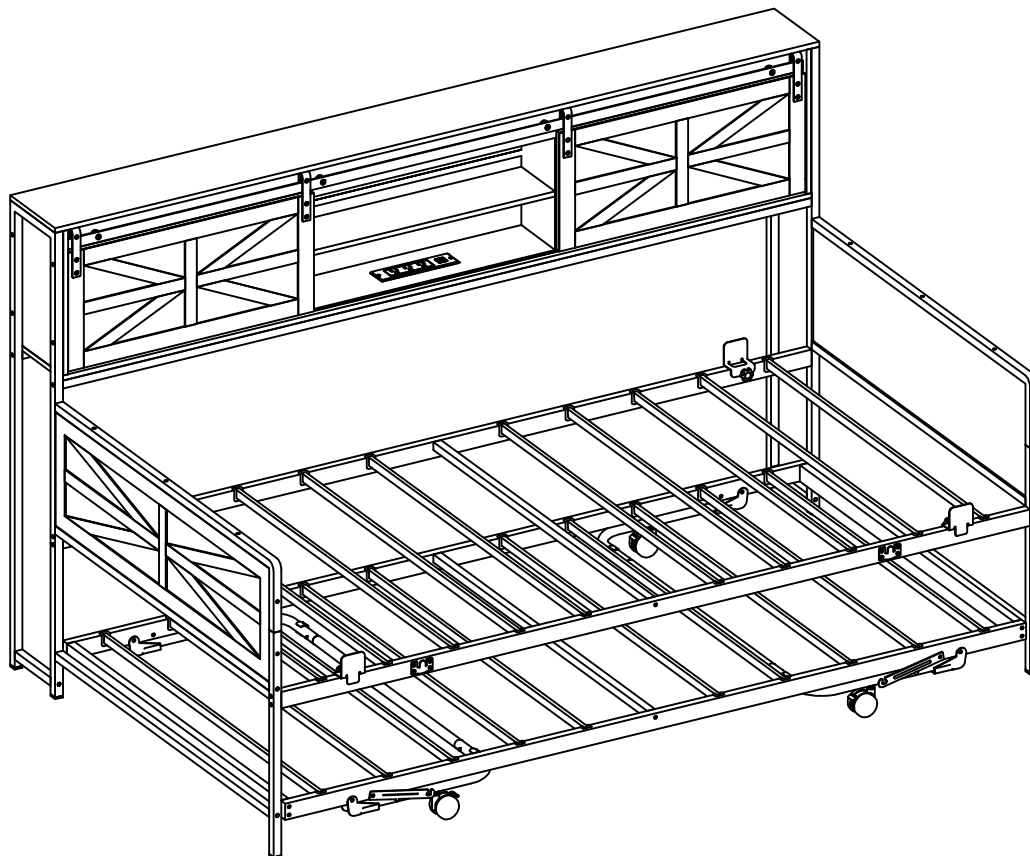


Farmhouse Twin Daybed with Trundle



Assembly Manual

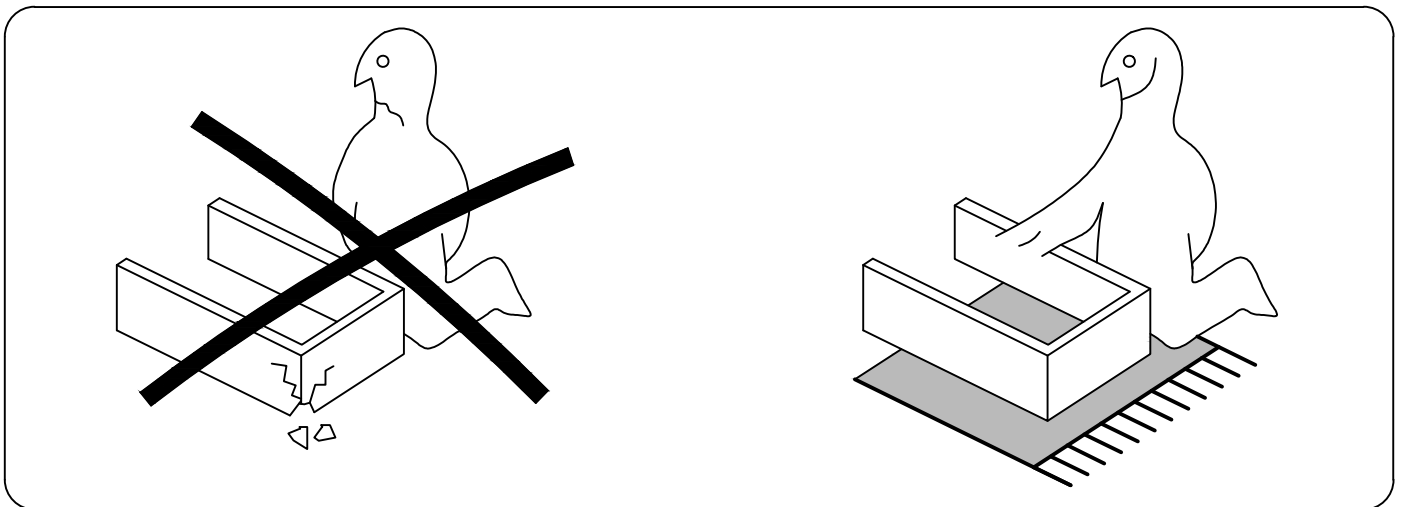
Thank you for your purchase at our store.
Please contact us directly if you have difficulty with assembly or need replacement parts.
Professional customer service is here to assist you.

Please attach your order ID or some photos related so that we could help you better.

Two people are recommended to install, which will greatly improve your installation efficiency.

Tips Before Assembly

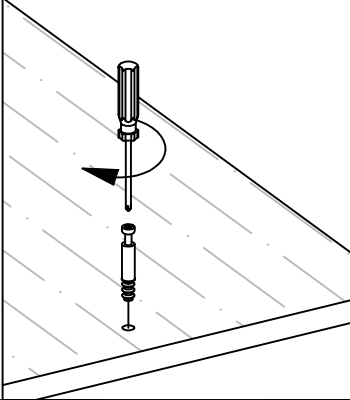
1. Read through each step carefully and follow the proper order.
2. Identify, sort and count all the parts with tags.
3. To avoid any scratching, putting a soft blanket on the floor is suggested.
4. If using a power drill or power screwdriver for the screwing, please be aware to slow down and stop when screw is tight. Failure to do so may result in stripping the screw.
5. Put the screws in loosely until all pieces are together and then tighten them all. It will save your time if you make a mistake while installing.



Using Camlocks

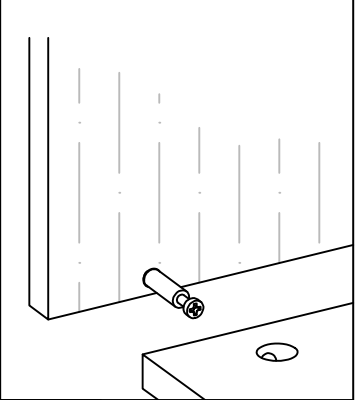
Connect the male camlock as directed in the assembly instructions using a screwdriver.

1 DO NOT OVER TIGHTEN



Push the male camlock into the entry hole.

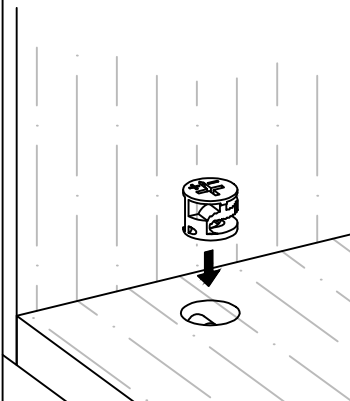
2



Insert the female camlock as shown in the instruction.

Note: ensure that the arrow on the top of the camlock points toward the entry hole for the male camlock.

3

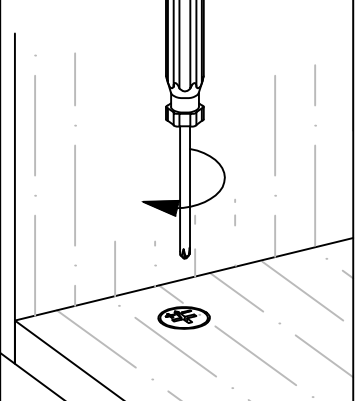


Turn the female camlock clockwise with a screwdriver.

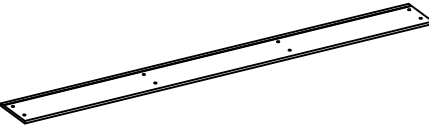
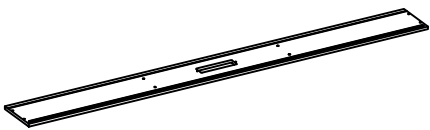
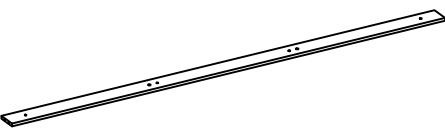
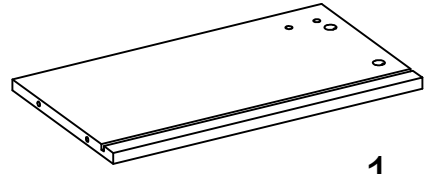
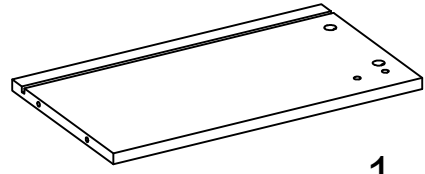
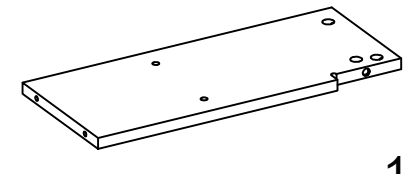
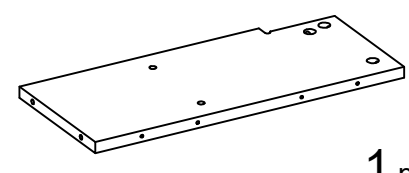
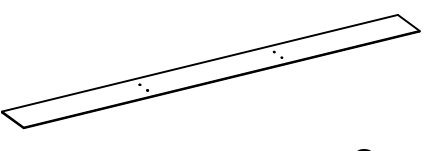
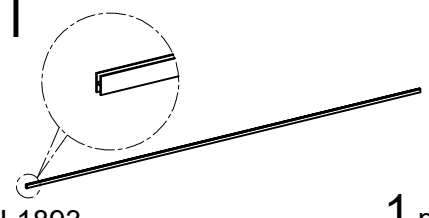
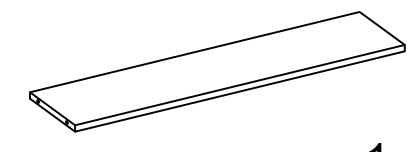
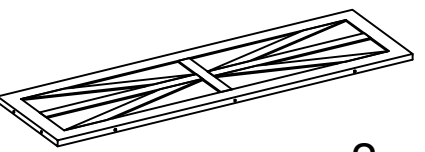
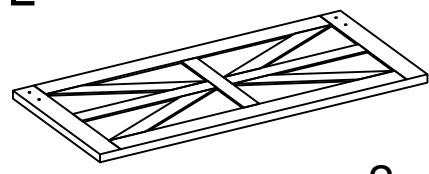
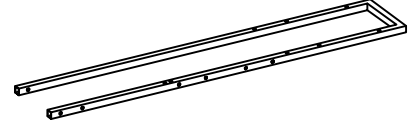
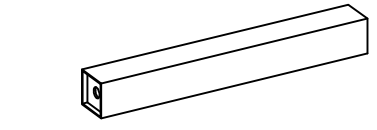
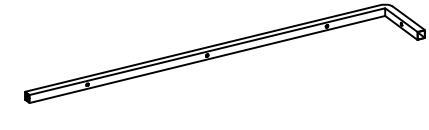
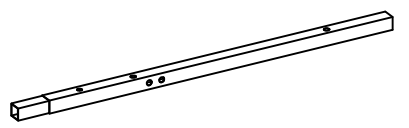
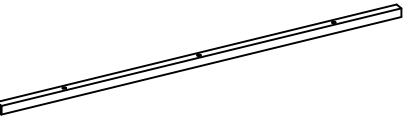
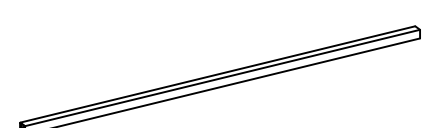

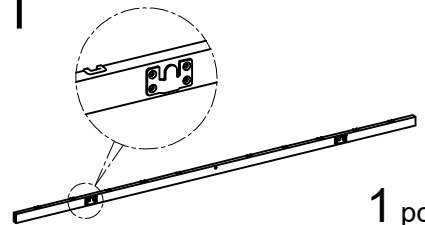
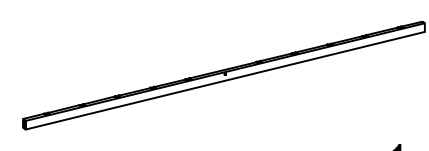
You should feel a click when the camlock is locked in place.

The joint is now secure.




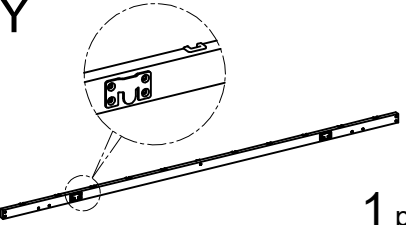
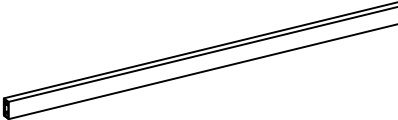
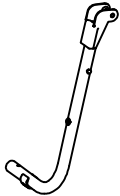

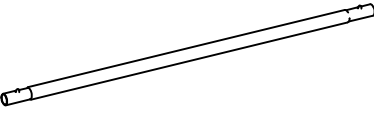
4




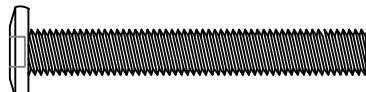
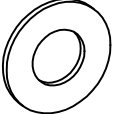
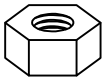


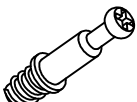


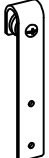


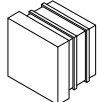


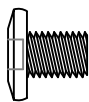
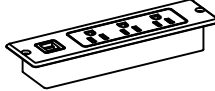




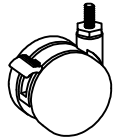


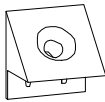



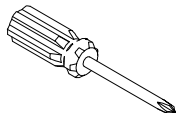
PART LIST

<p>A</p>  <p>1 pc</p>	<p>B</p>  <p>1 pc</p>	<p>C</p>  <p>1 pc</p>
<p>D</p>  <p>1 pc</p>	<p>E</p>  <p>1 pc</p>	<p>F</p>  <p>1 pc</p>
<p>G</p>  <p>1 pc</p>	<p>H</p>  <p>2 pcs</p>	<p>I</p>  <p>L1893 1 pc</p>
<p>J</p>  <p>1 pc</p>	<p>K</p>  <p>2 pcs</p>	<p>L</p>  <p>2 pcs</p>
<p>M</p>  <p>2 pcs</p>	<p>N</p>  <p>2 pcs</p>	<p>O</p>  <p>2 pcs</p>
<p>P</p>  <p>2 pcs</p>	<p>Q</p>  <p>2 pcs</p>	<p>R</p>  <p>4 pcs</p>
<p>S</p>  <p>2 pcs</p>	<p>T</p>  <p>1 pc</p>	<p>U</p>  <p>1 pc</p>

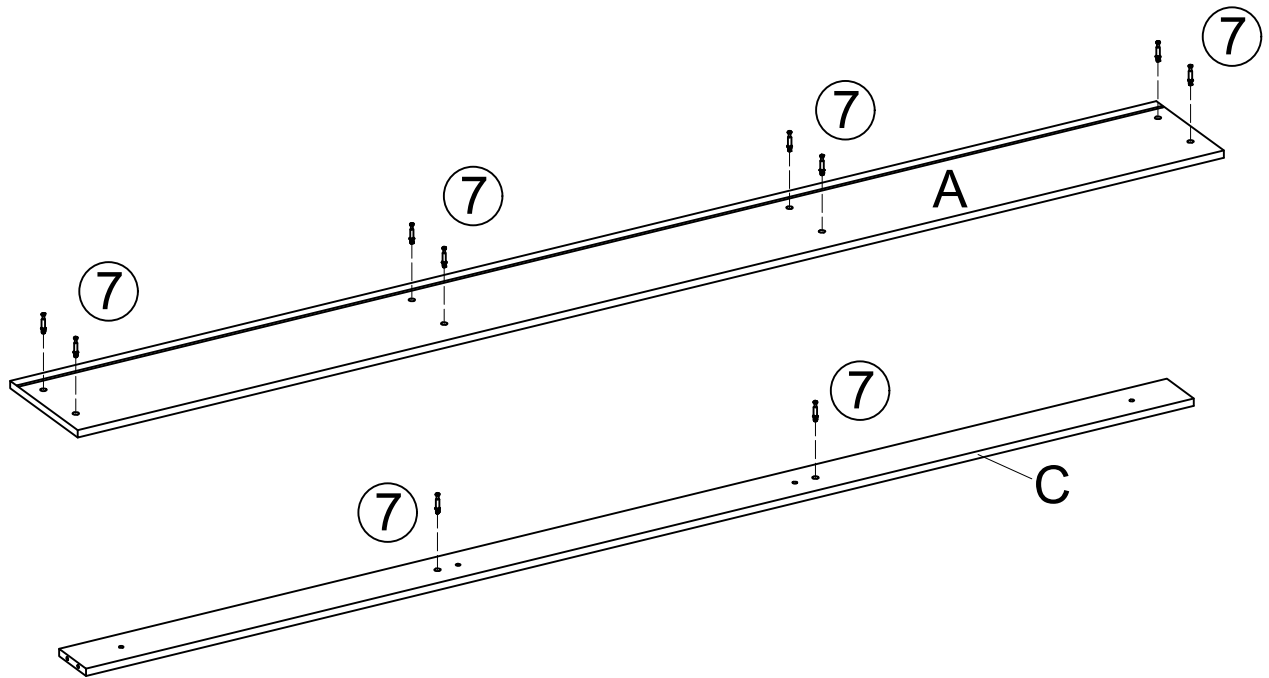
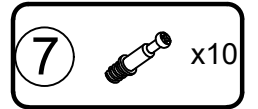
PART LIST

<p>V</p>  <p>20 pcs</p>	<p>W</p>  <p>1 pc</p>	<p>X</p>  <p>1 pc</p>
<p>Y</p>  <p>1 pc</p>	<p>Z</p>  <p>2 pcs</p>	<p>AA</p>  <p>2 pcs</p>
<p>BB</p>  <p>2 pcs</p>	<p>CC</p>  <p>2 pcs</p>	

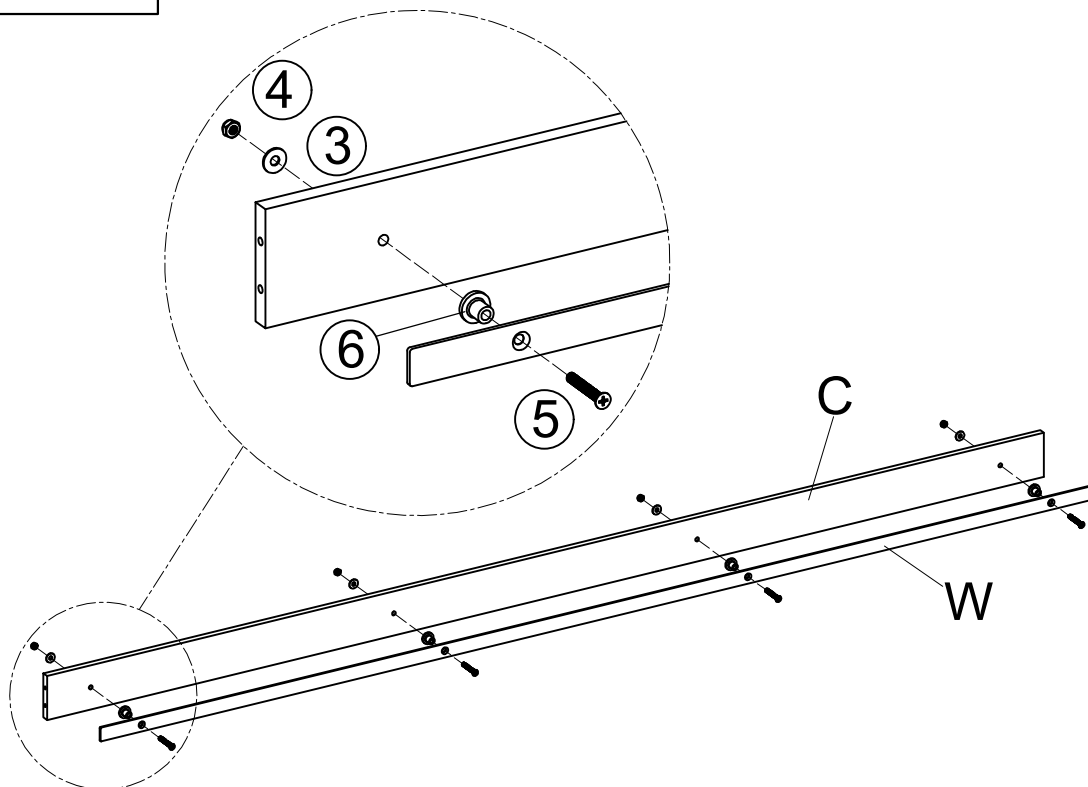
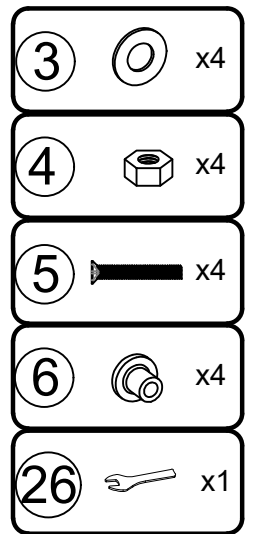
HARDWARE LIST

<p>①</p>  <p>M6x40 36 pcs</p>	<p>②</p>  <p>M6x45 4 pcs</p>	<p>③</p>  <p>M6x16x1.0 4 pcs</p>	
<p>④</p>  <p>M6 12 pcs</p>	<p>⑤</p>  <p>M6x40 4 pcs</p>	<p>⑥</p>  <p>Ø20x15 4 pcs</p>	<p>⑦</p>  <p>M6x28 10 pcs</p>
<p>⑧</p>  <p>Ø12 10 pcs</p>	<p>⑨</p>  <p> 4 pcs</p>	<p>⑩</p>  <p> 4 pcs</p>	<p>⑪</p>  <p>65x15x1.5 4 pcs</p>
<p>⑫</p>  <p>M4x14 16 pcs</p>	<p>⑬</p>  <p>20x20 6 pcs</p>	<p>⑭</p>  <p>M6x35 42 pcs</p>	<p>⑮</p>  <p>M6x27 8 pcs</p>
<p>⑯</p>  <p>M6x8 8 pcs</p>	<p>⑰</p>  <p> 1 pc</p>	<p>⑱</p>  <p>M3x12 12 pcs</p>	<p>⑲</p>  <p> 1 pc</p>
<p>⑳</p>  <p> 4 pcs</p>	<p>㉑</p>  <p>M8x25 4 pcs</p>	<p>㉒</p>  <p>Ø50 4 pcs</p>	<p>㉓</p>  <p>Ø10 4 pcs</p>
<p>㉔</p>  <p>M4x30 8 pcs</p>	<p>㉕</p>  <p> 10 pcs</p>	<p>㉖</p>  <p>10mm 1 pc</p>	<p>㉗</p>  <p>12mm 1 pc</p>
<p>㉘</p>  <p>M4 1 pc</p>	<p>㉙</p>  <p> 1 pc</p>		

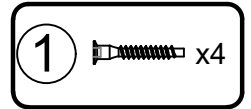
STEP 1



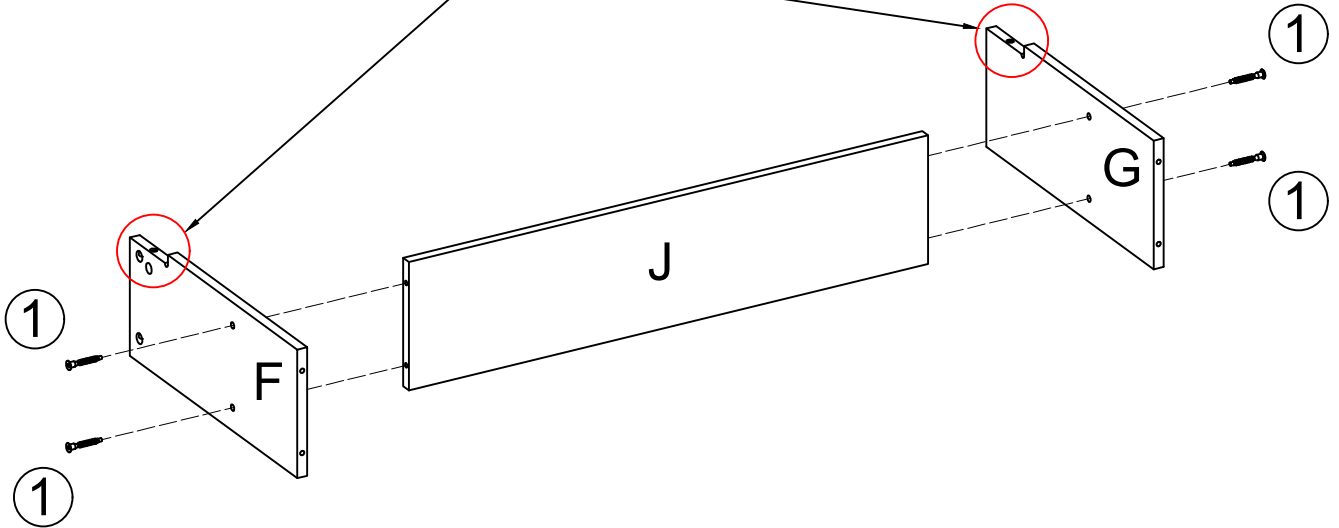
STEP 2



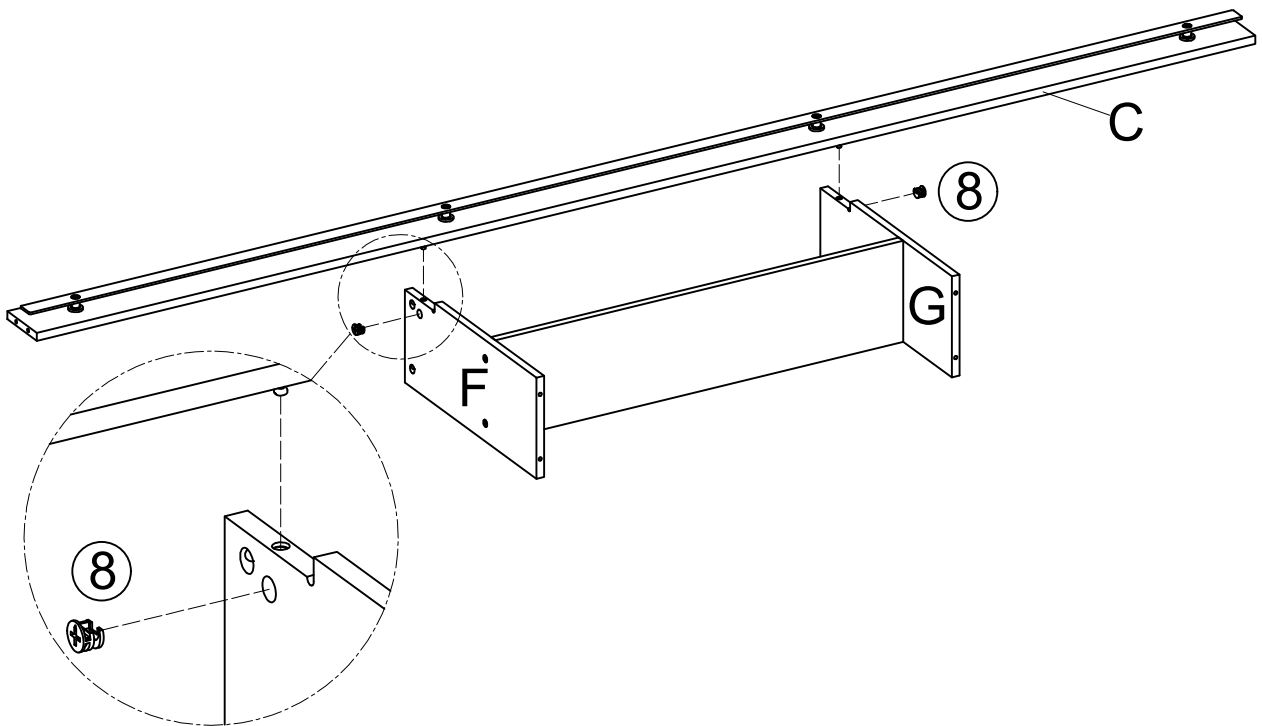
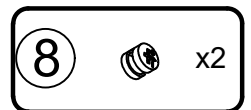
STEP 3



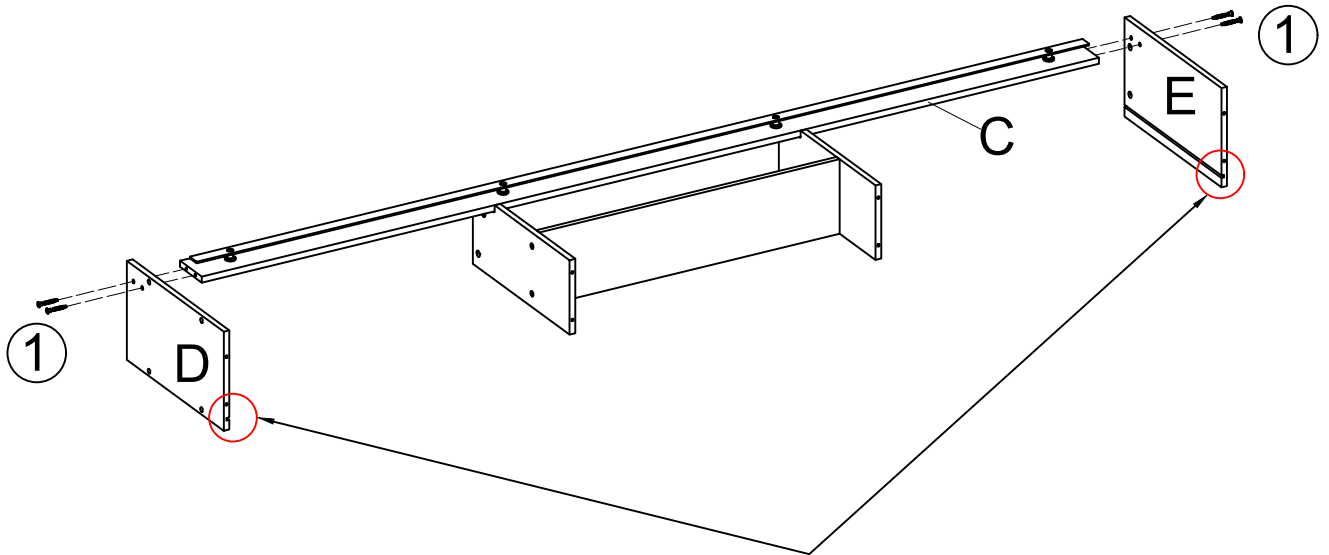
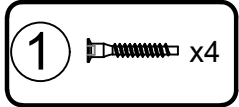
Keep the holes of the
Part F and Part G toward this
direction as shown



STEP 4

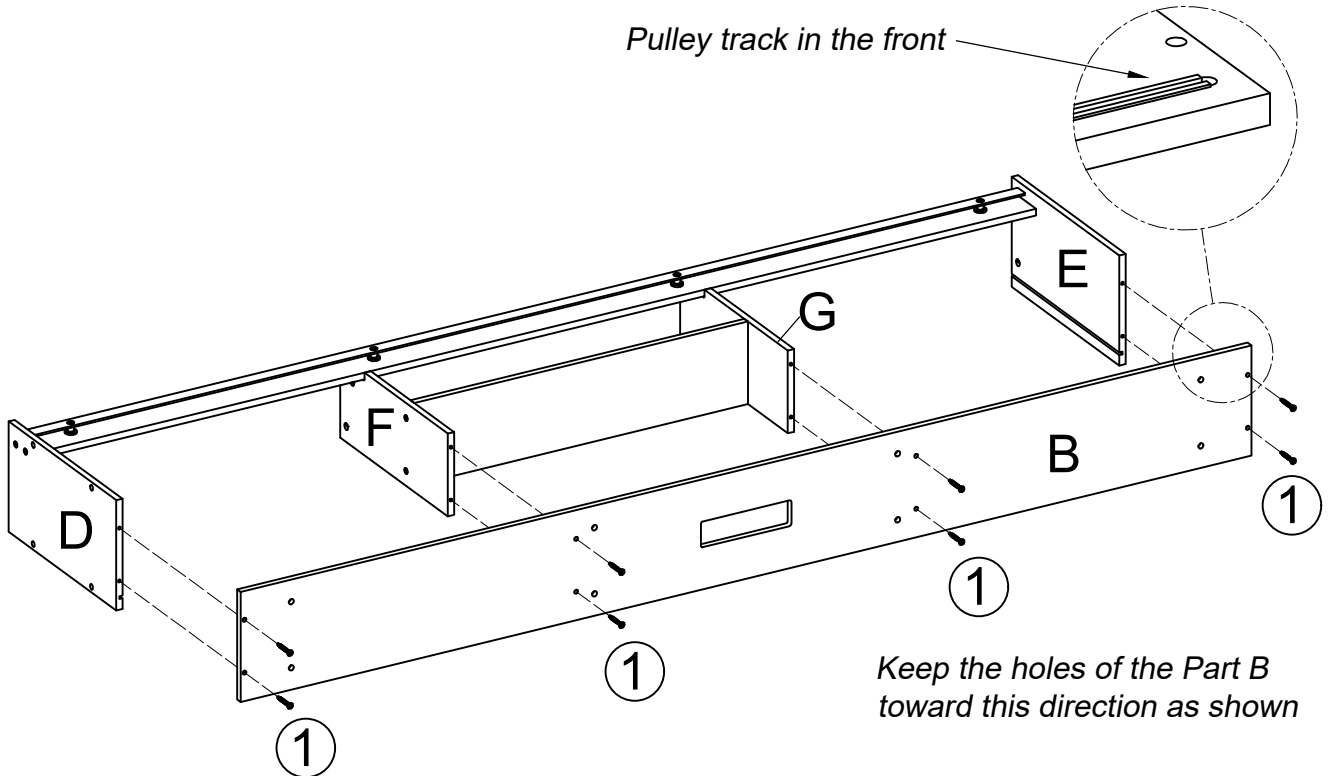
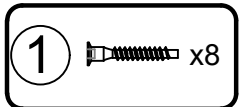


STEP 5



Keep the holes of the Part D and Part E toward this direction as shown

STEP 6

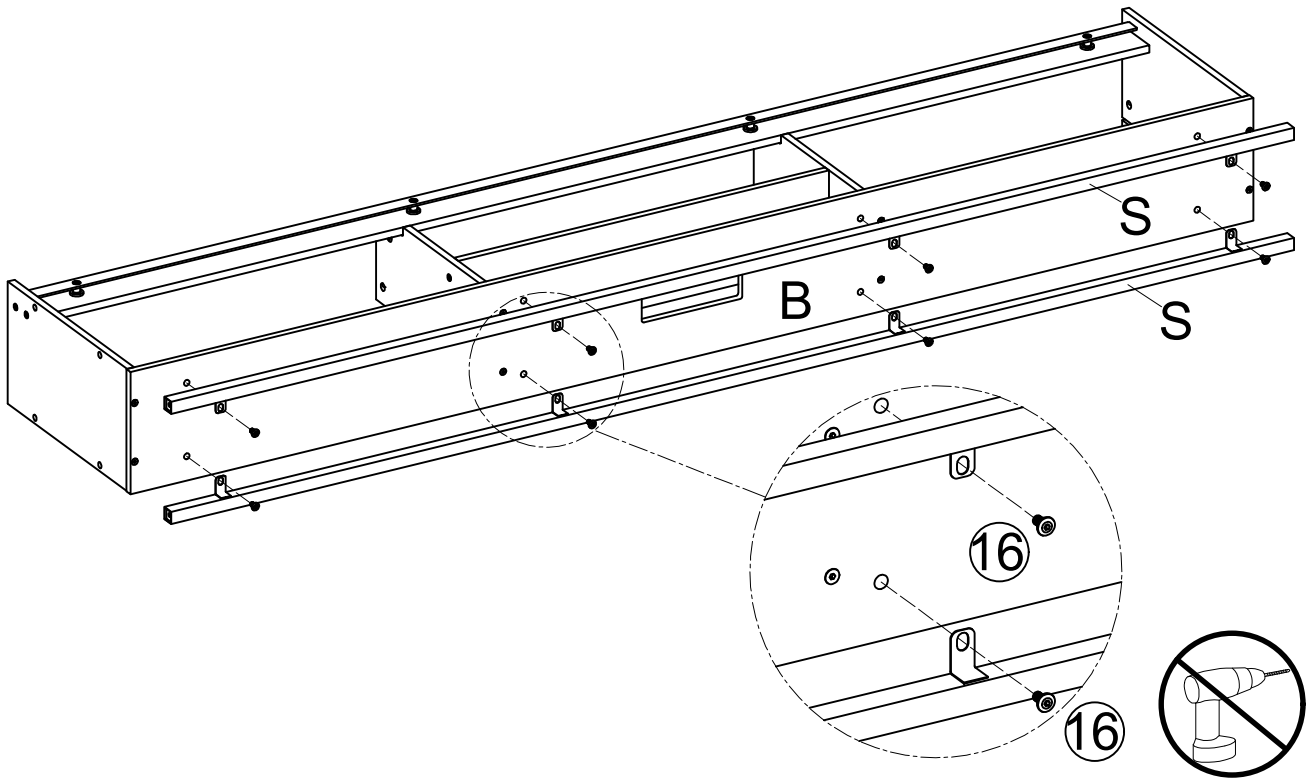


Pulley track in the front

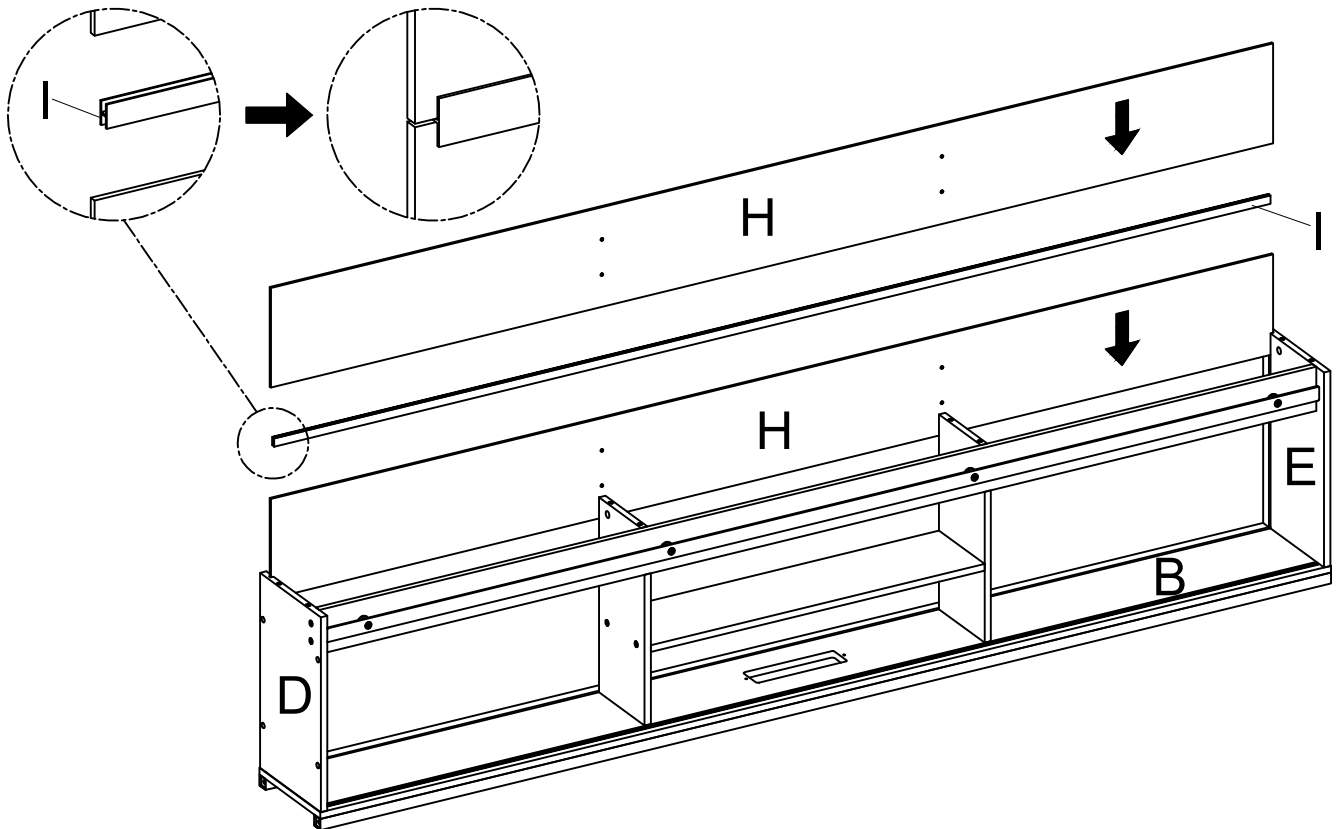
Keep the holes of the Part B toward this direction as shown

STEP 7

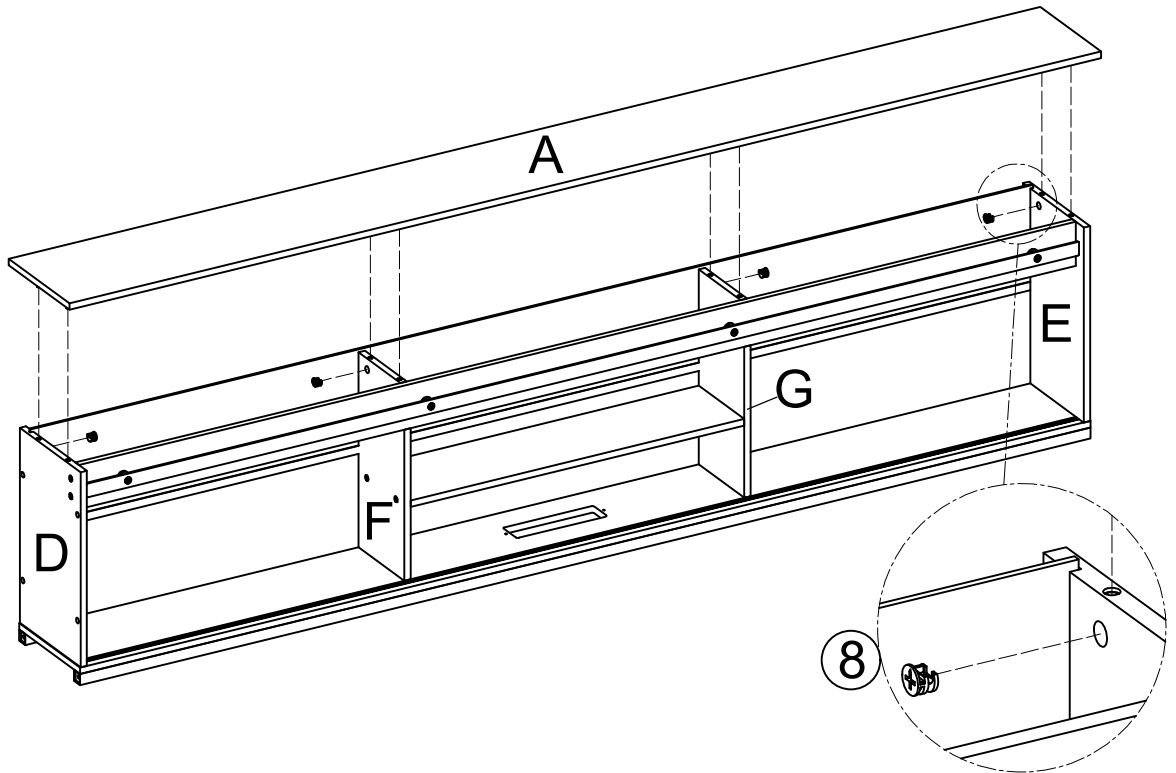
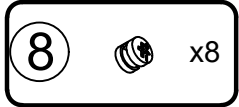
16 x8



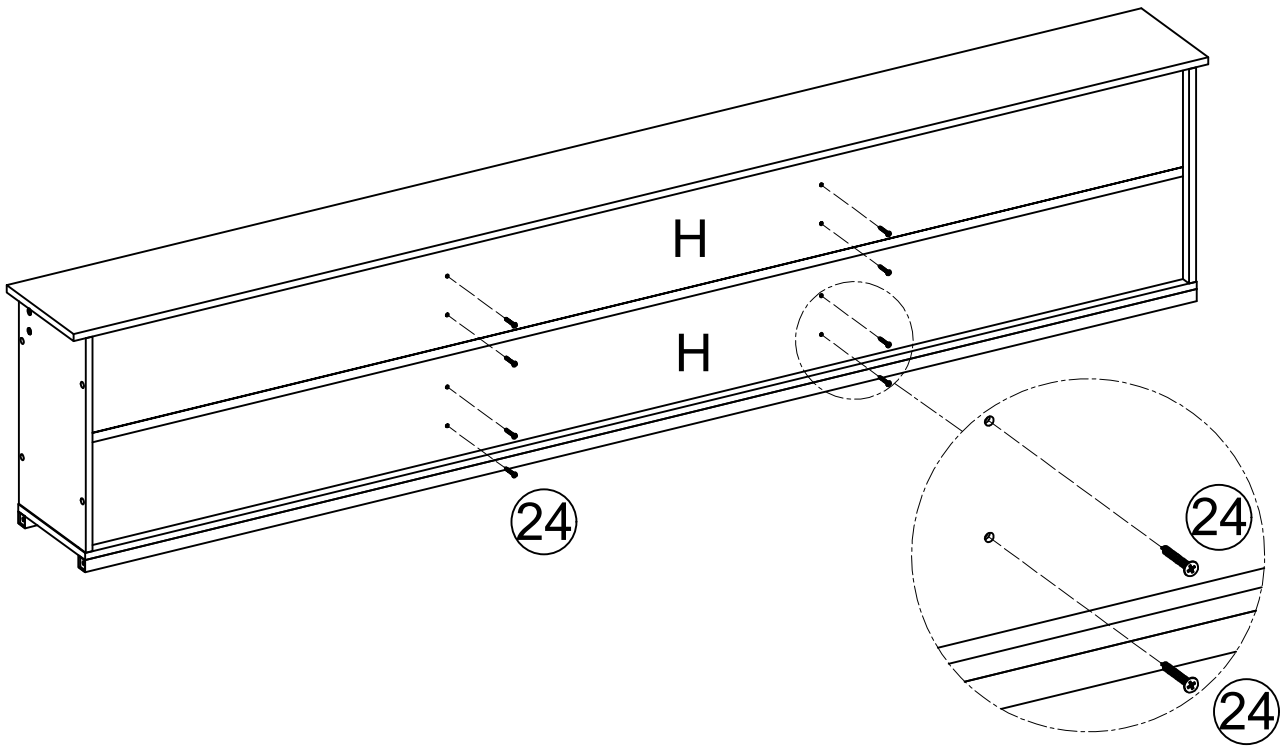
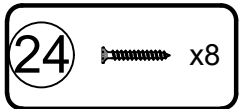
STEP 8



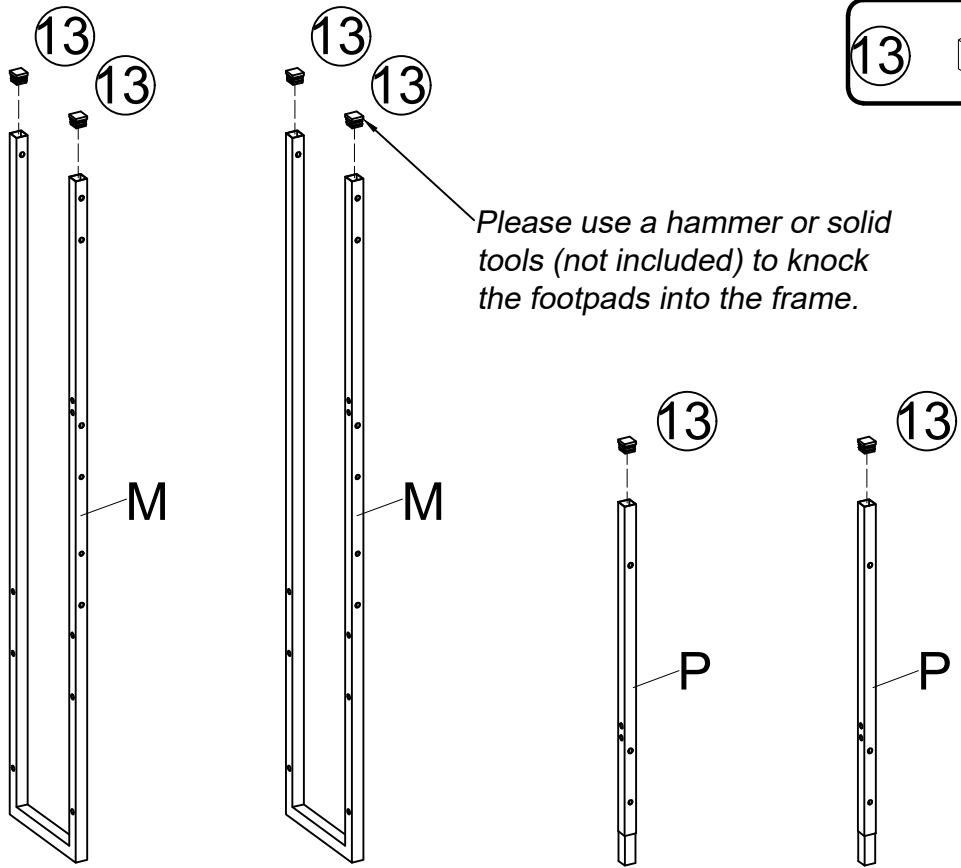
STEP 9



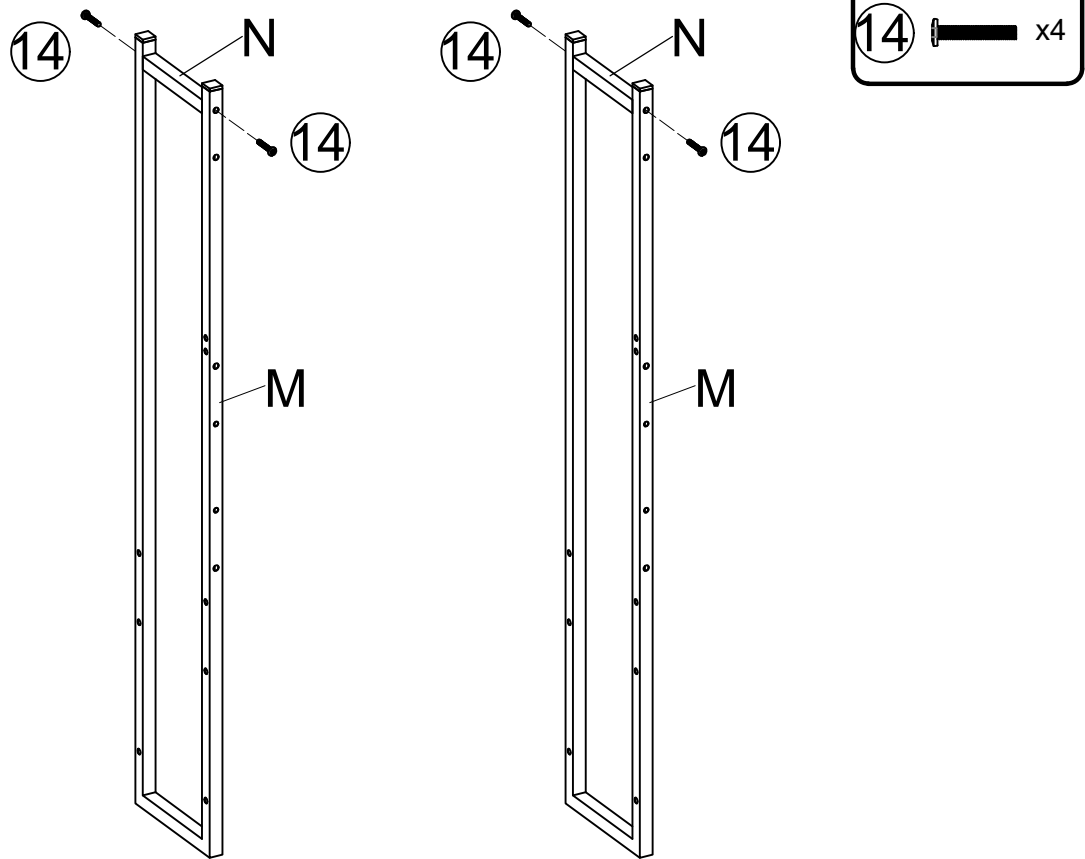
STEP 10



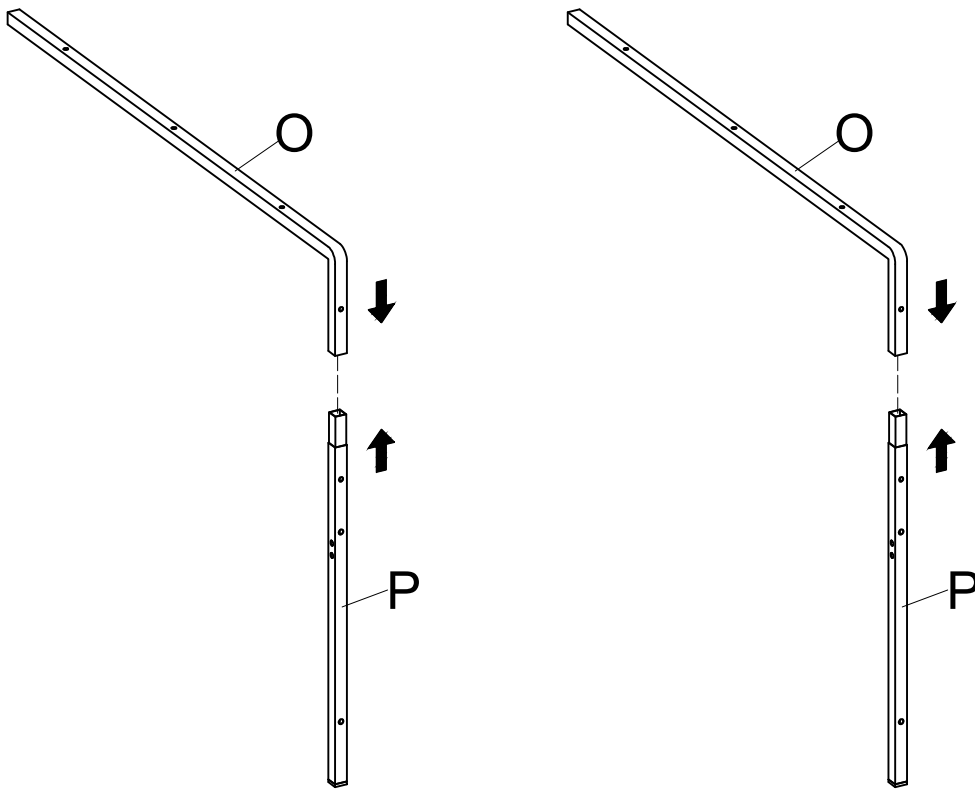
STEP 11



STEP 12

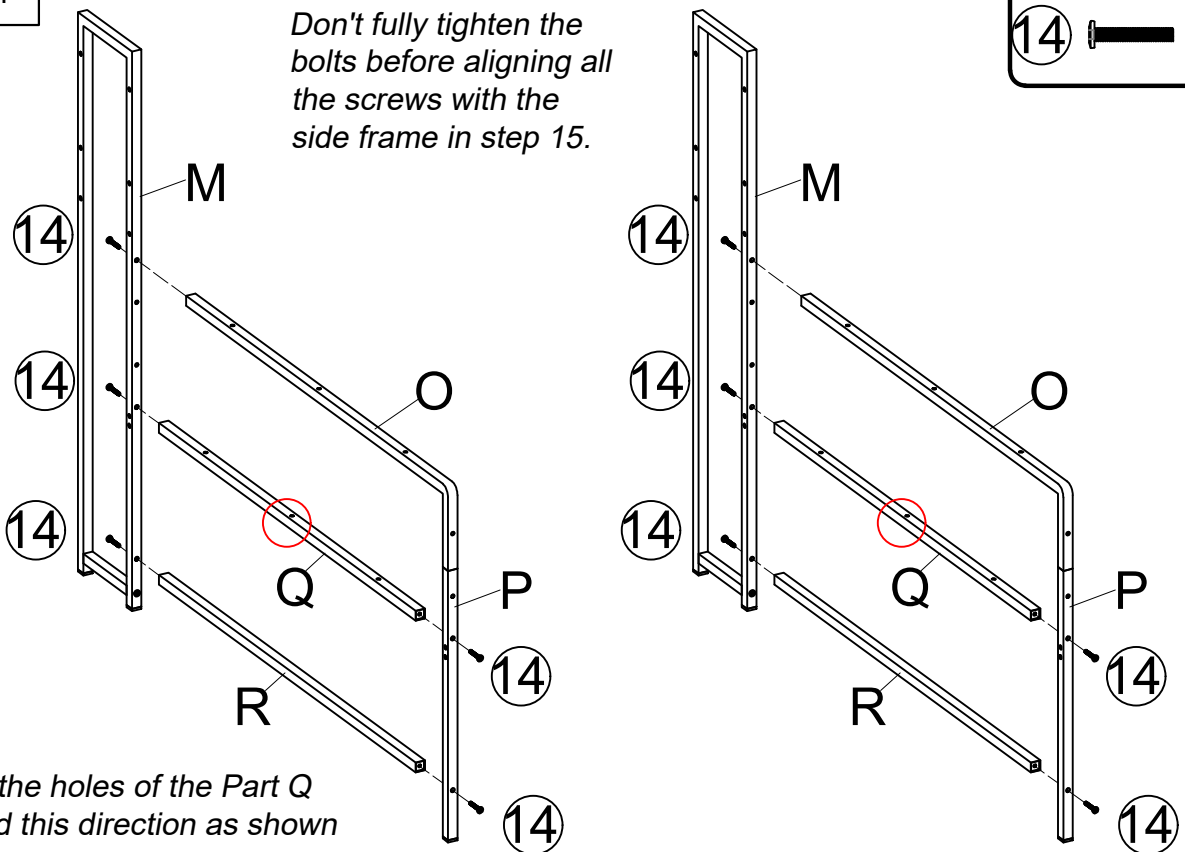
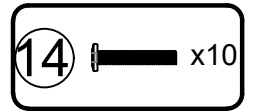


STEP 13



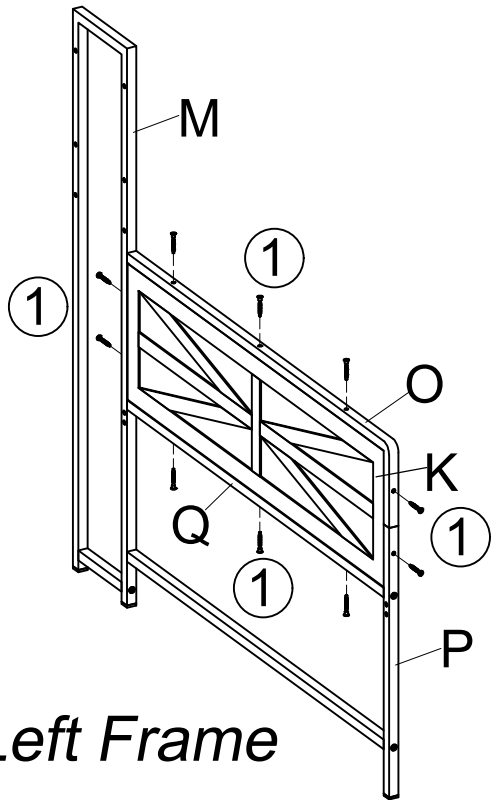
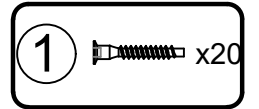
STEP 14

Don't fully tighten the bolts before aligning all the screws with the side frame in step 15.

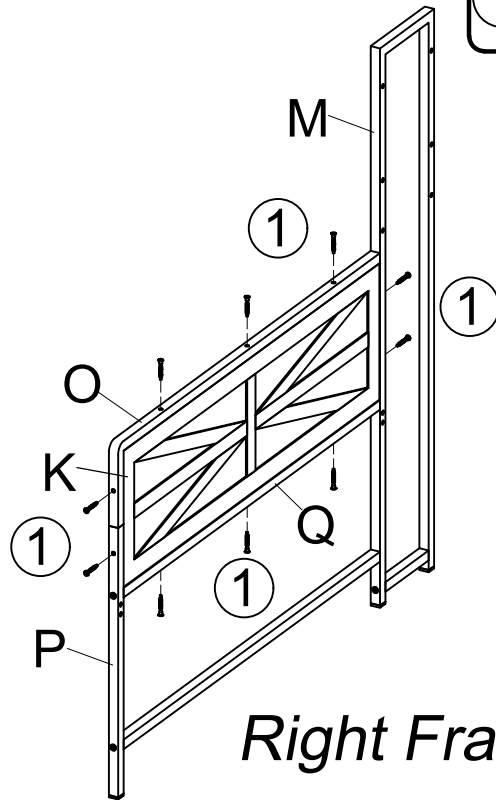


Keep the holes of the Part Q toward this direction as shown

STEP 15

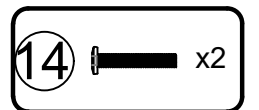


Left Frame

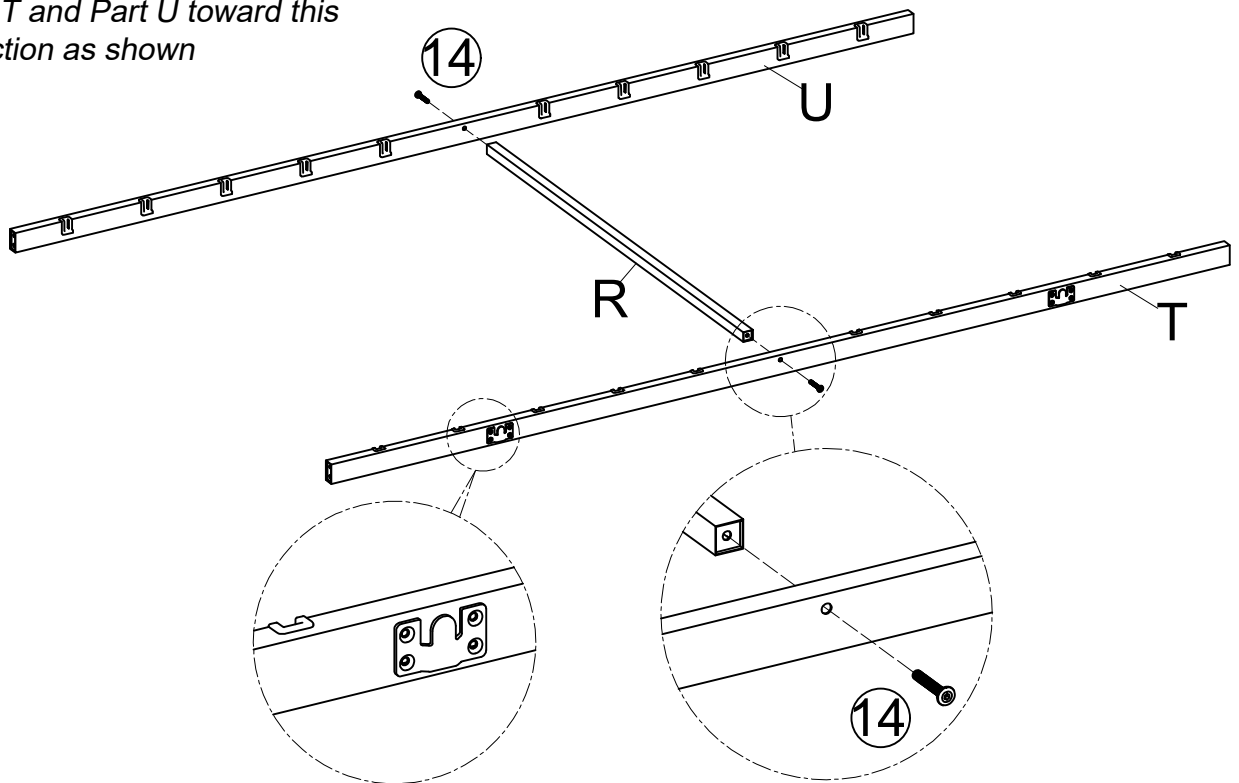


Right Frame

STEP 16

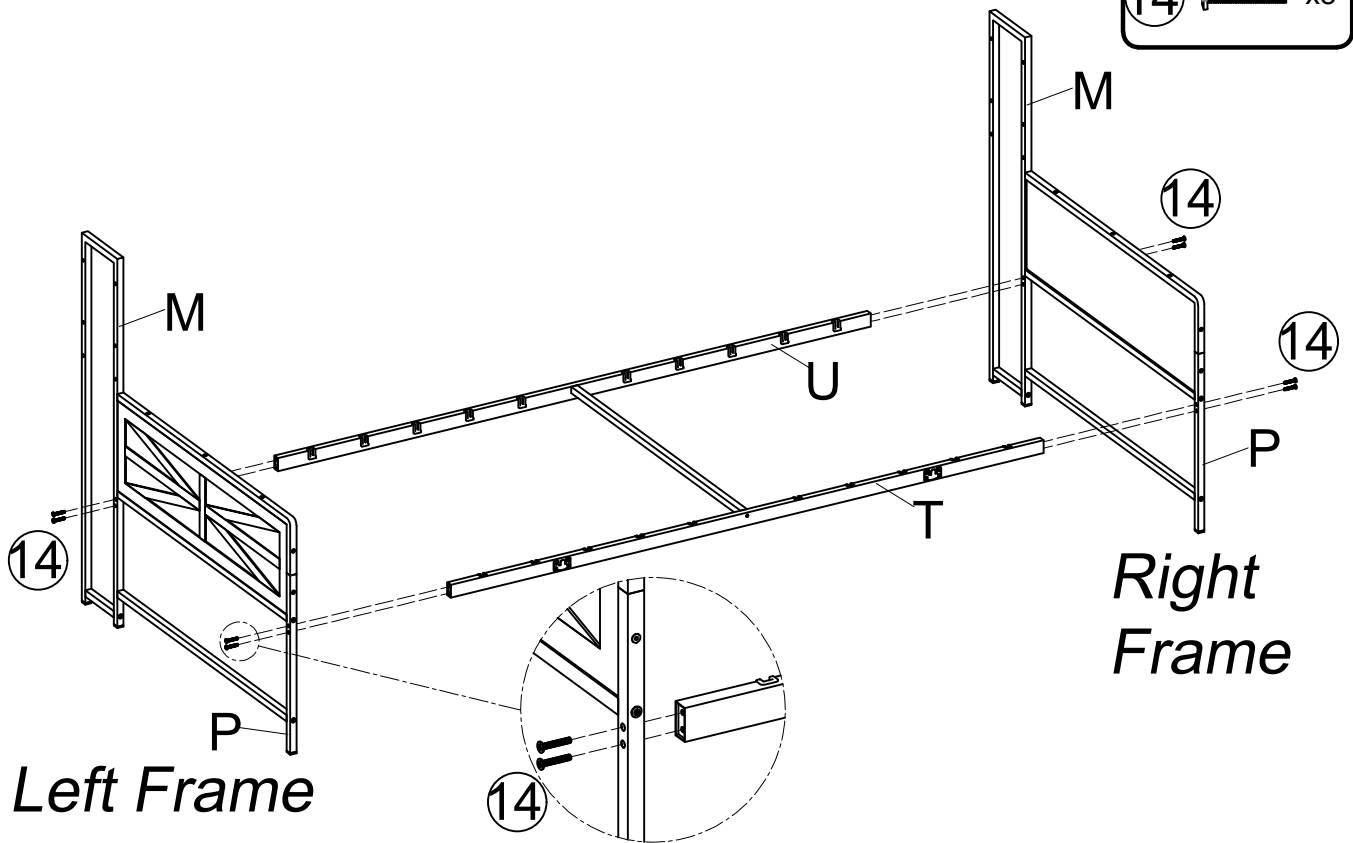


Keep the holes of the Part T and Part U toward this direction as shown



STEP 17

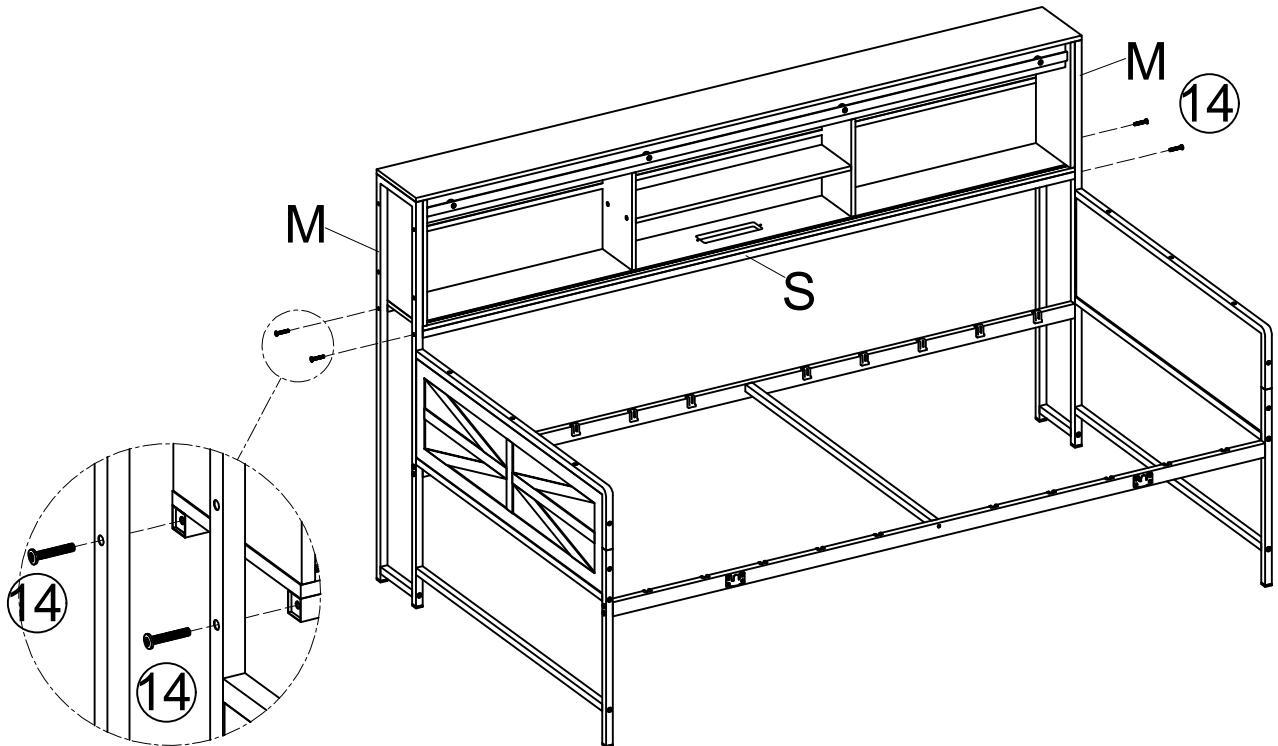
14  x8



STEP 18

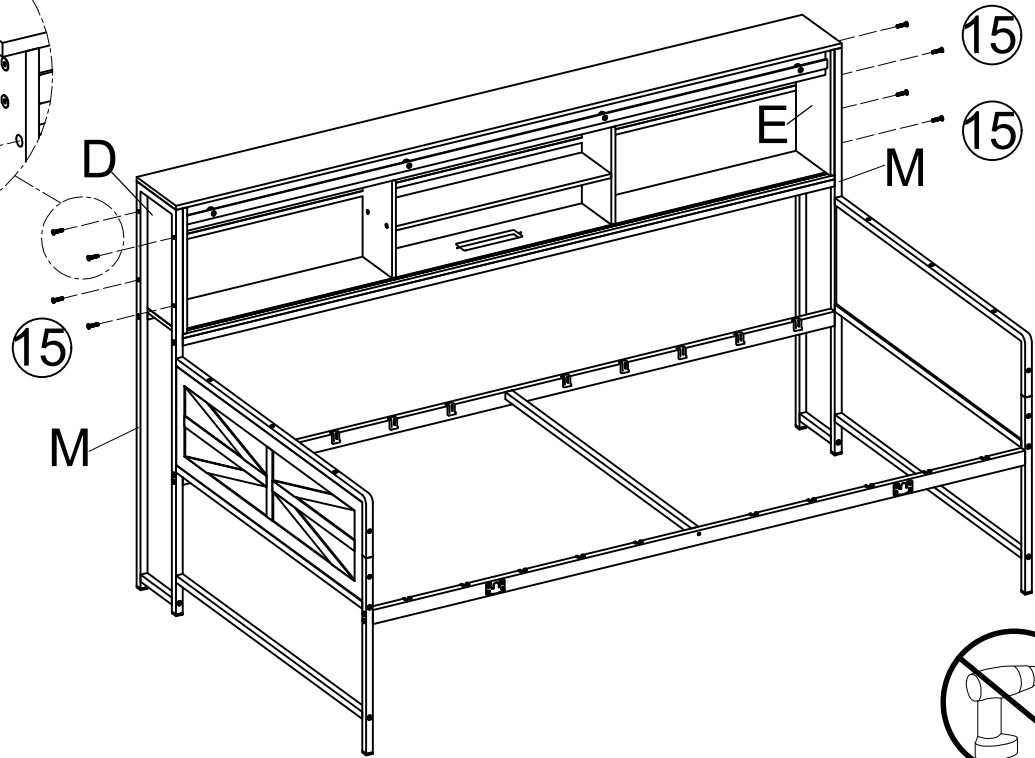
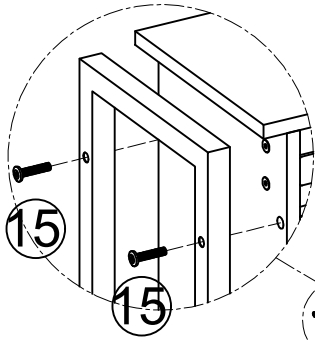
We recommend 2 person to assemble.

14  x4




STEP 19

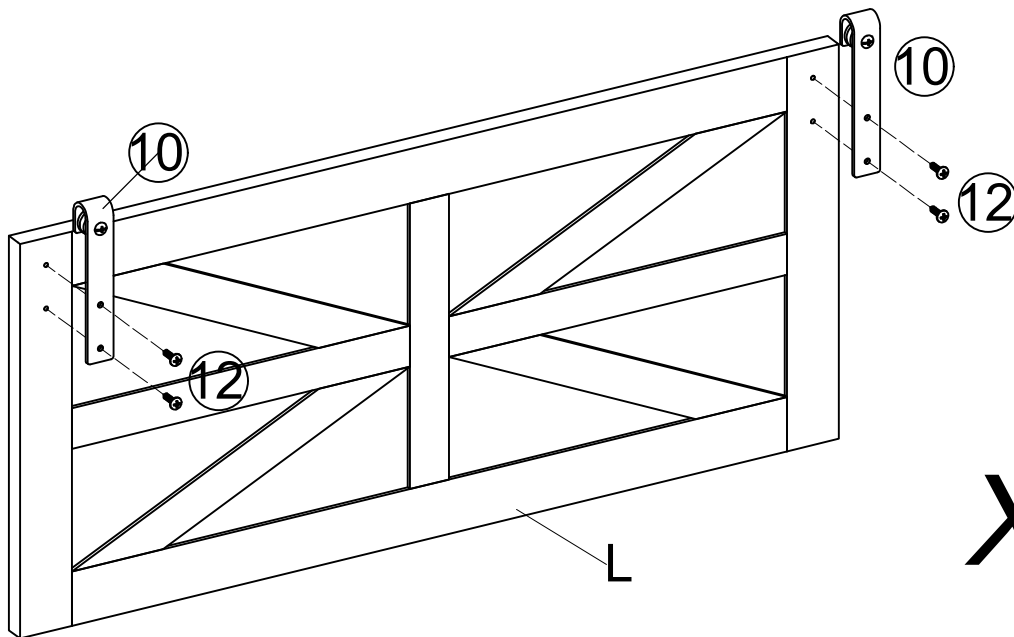
15  x8



STEP 20

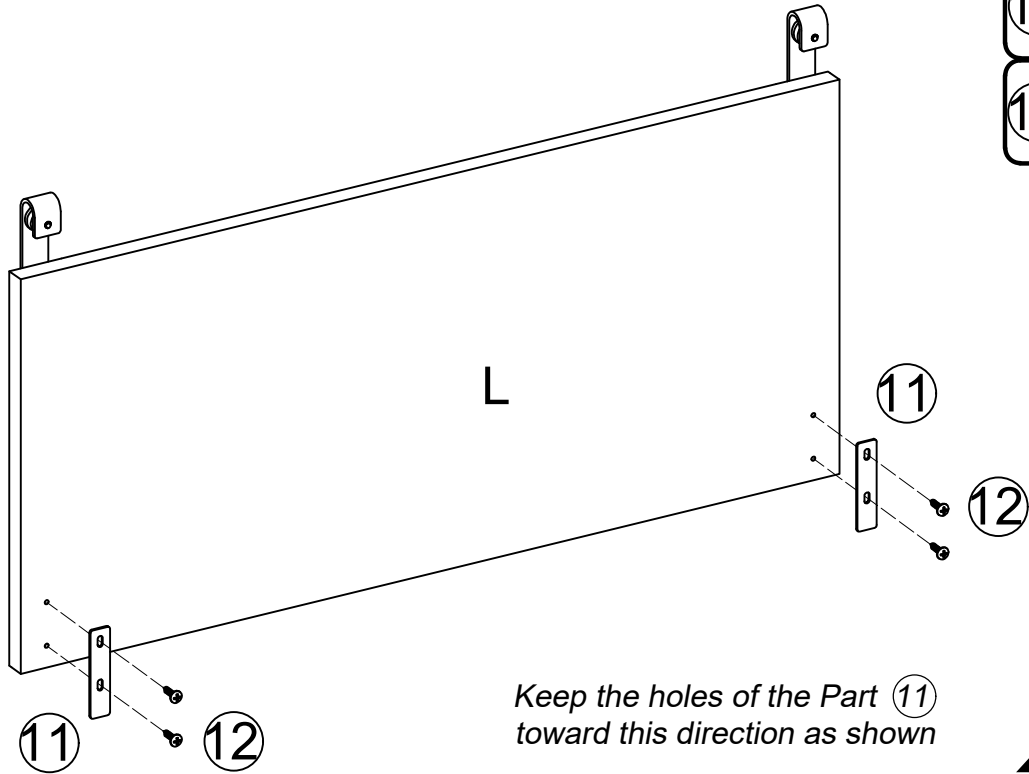
10  x4

12  x8



X2

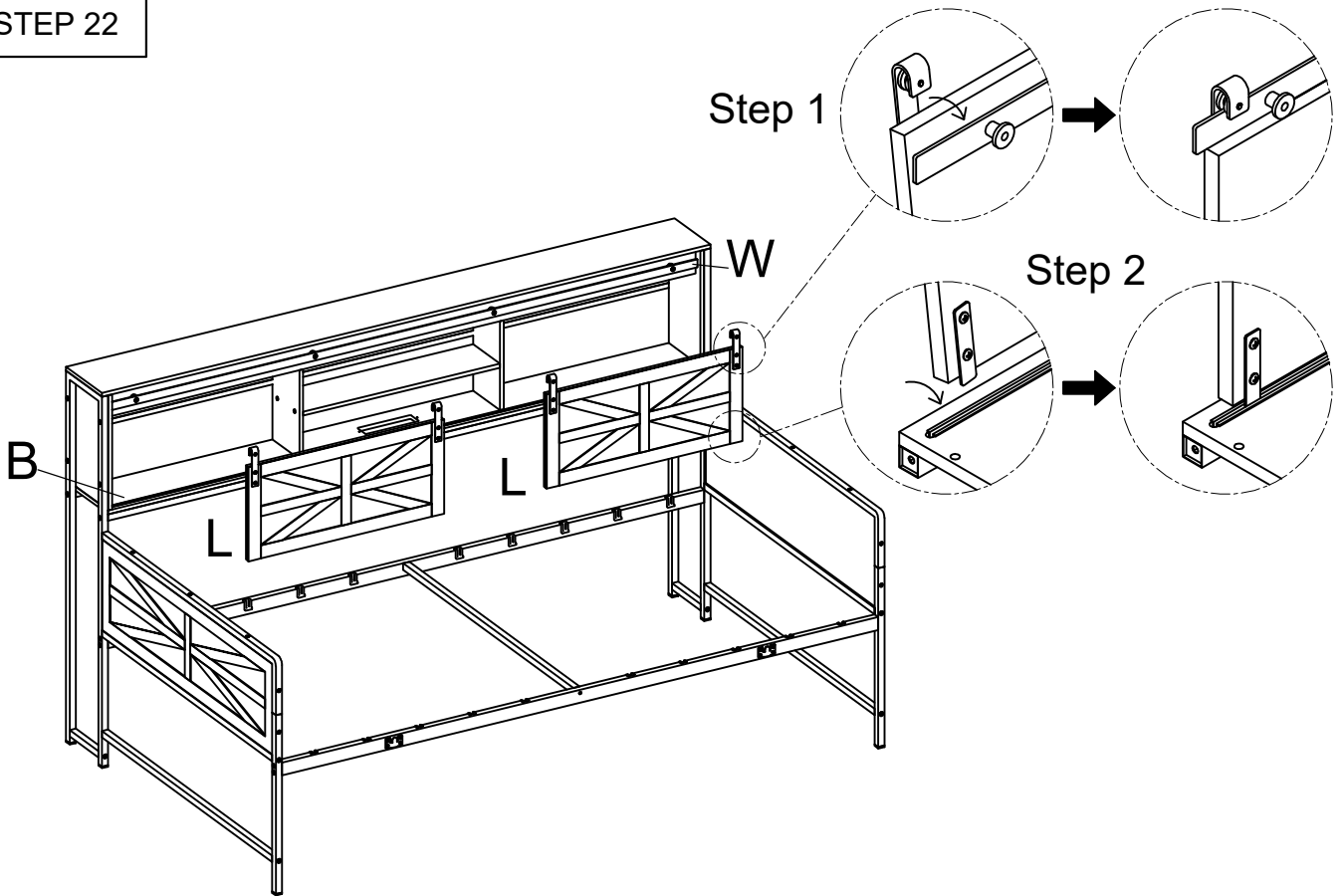
STEP 21



Keep the holes of the Part 11 toward this direction as shown

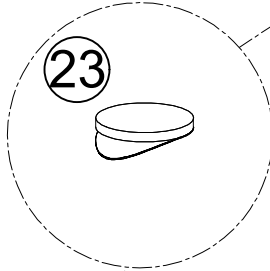
X2

STEP 22

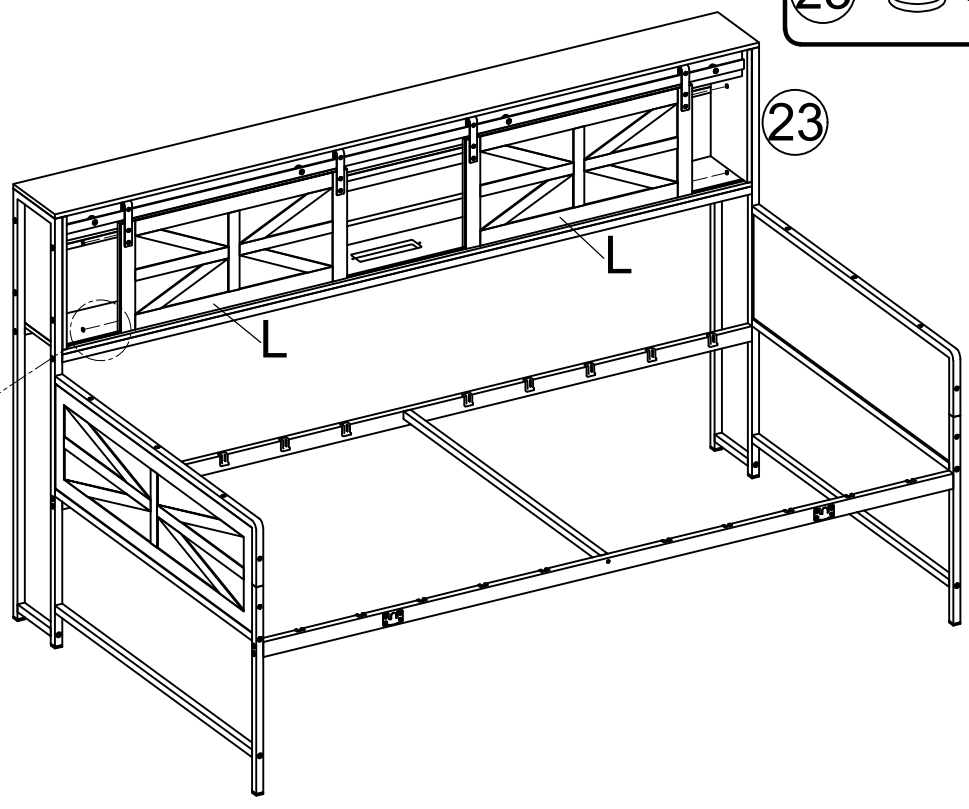


STEP 23

23 ○ x4




Shock-absorbing Plastic Pad

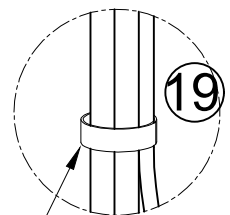


STEP 24

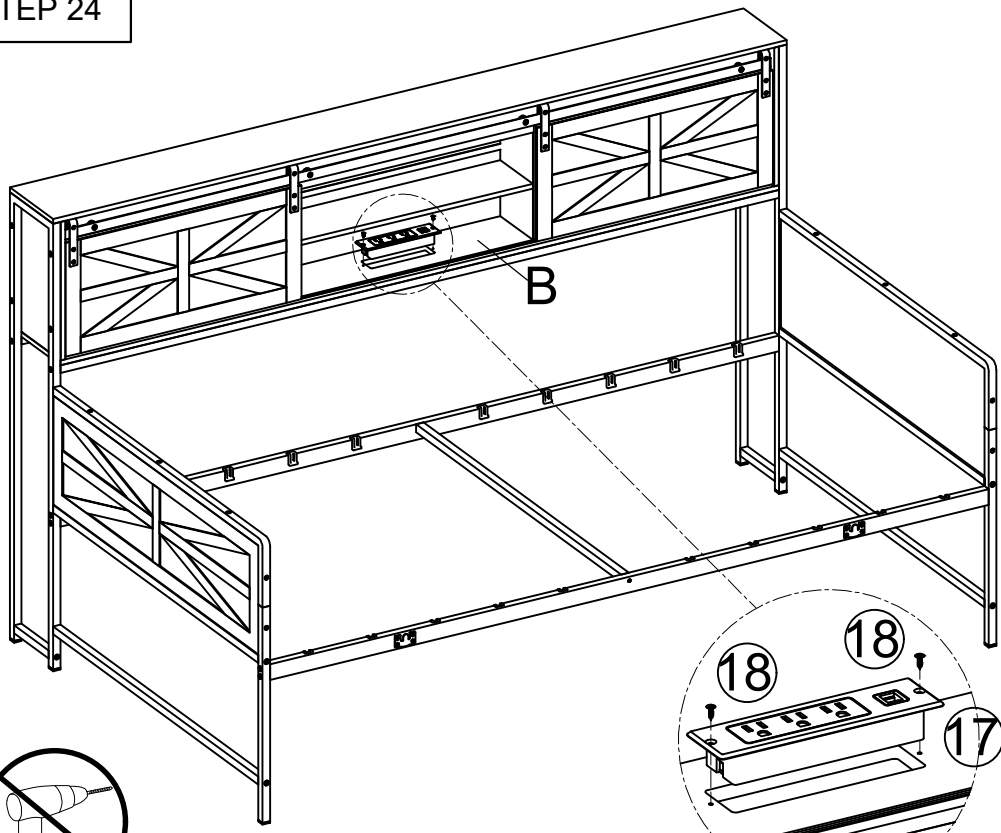
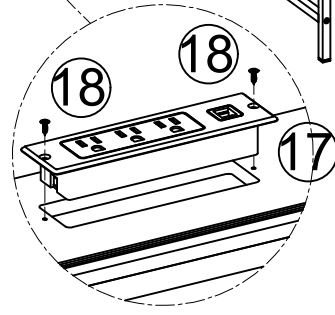
17  x1

18  x2



19  x1

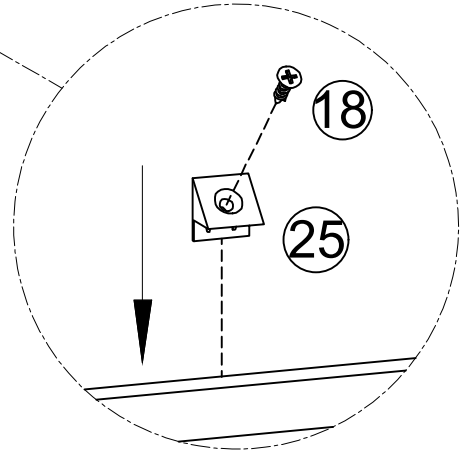
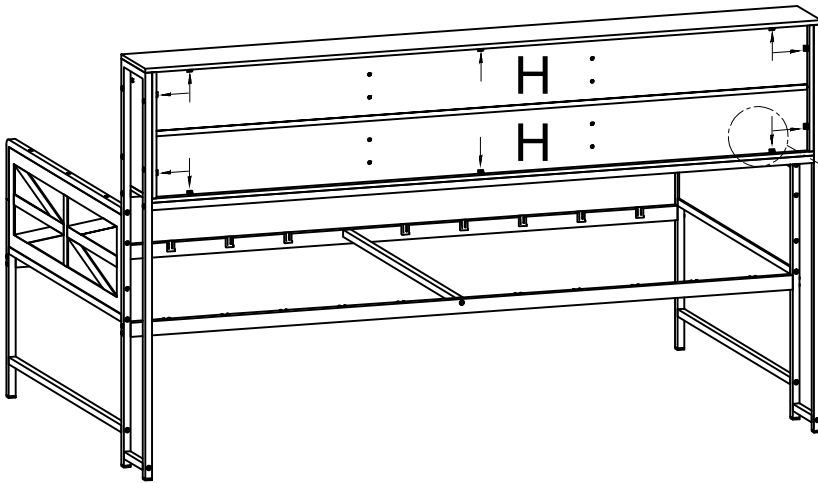


Hook-and-loop fastener can wrap the wires, making your rack look neater



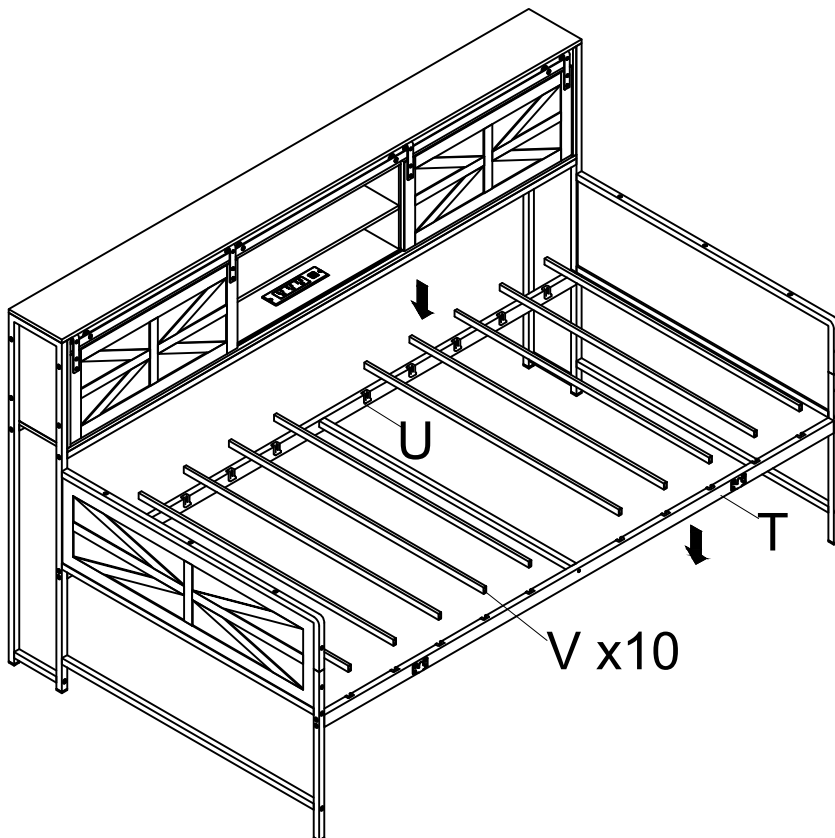
STEP 25

- 18  x10
- 25  x10



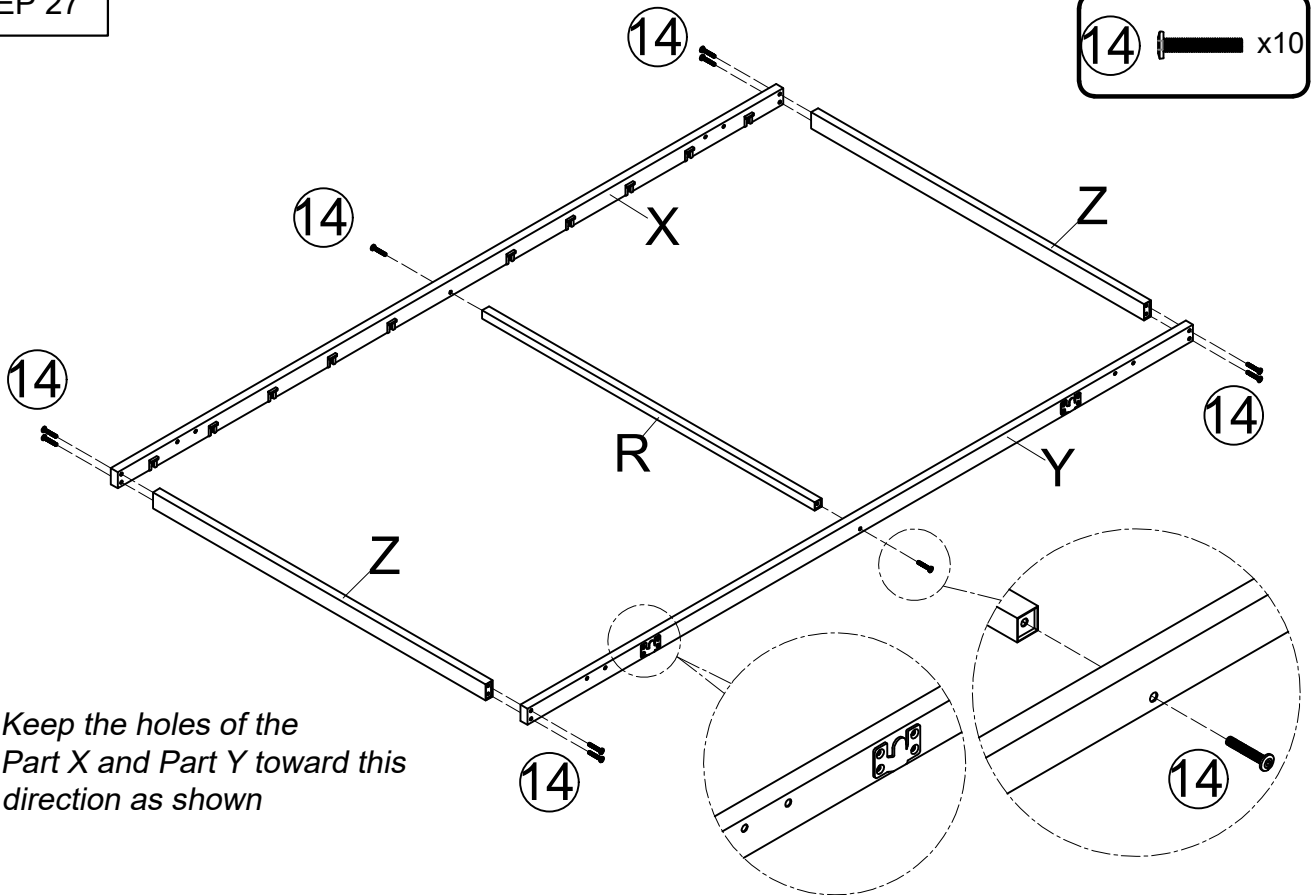
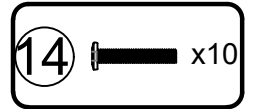
Use the buckles to reinforce the back panel.

STEP 26



Directly stuck Part V into the frame of Part T&U.

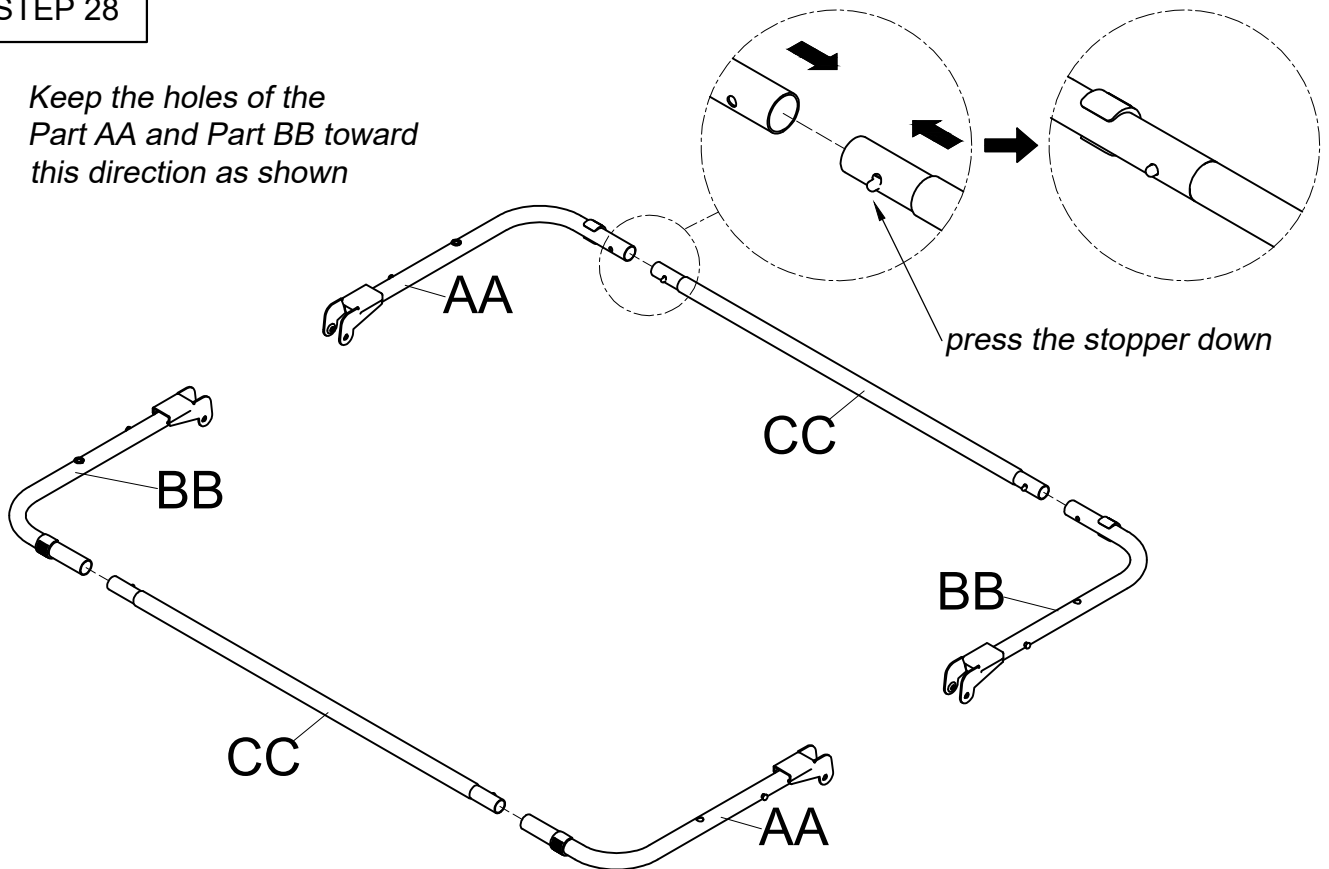
STEP 27



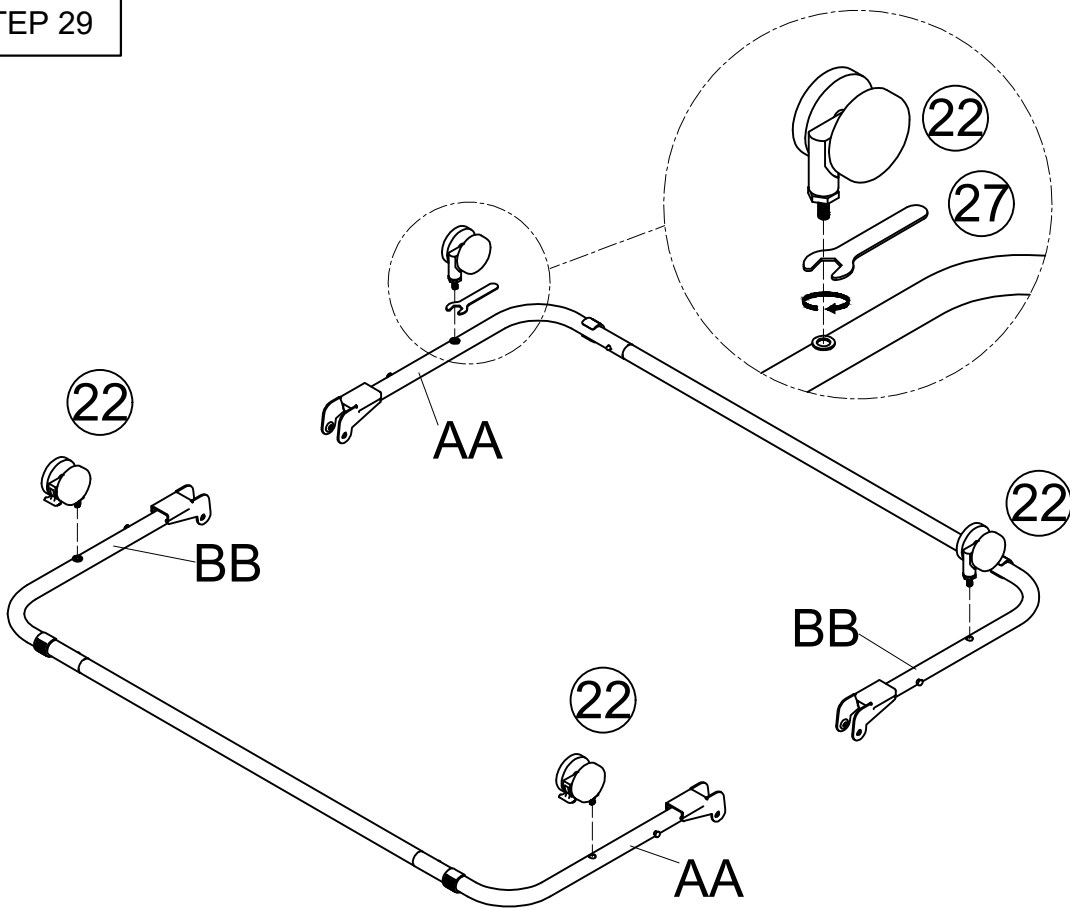
Keep the holes of the Part X and Part Y toward this direction as shown



STEP 28

Keep the holes of the Part AA and Part BB toward this direction as shown

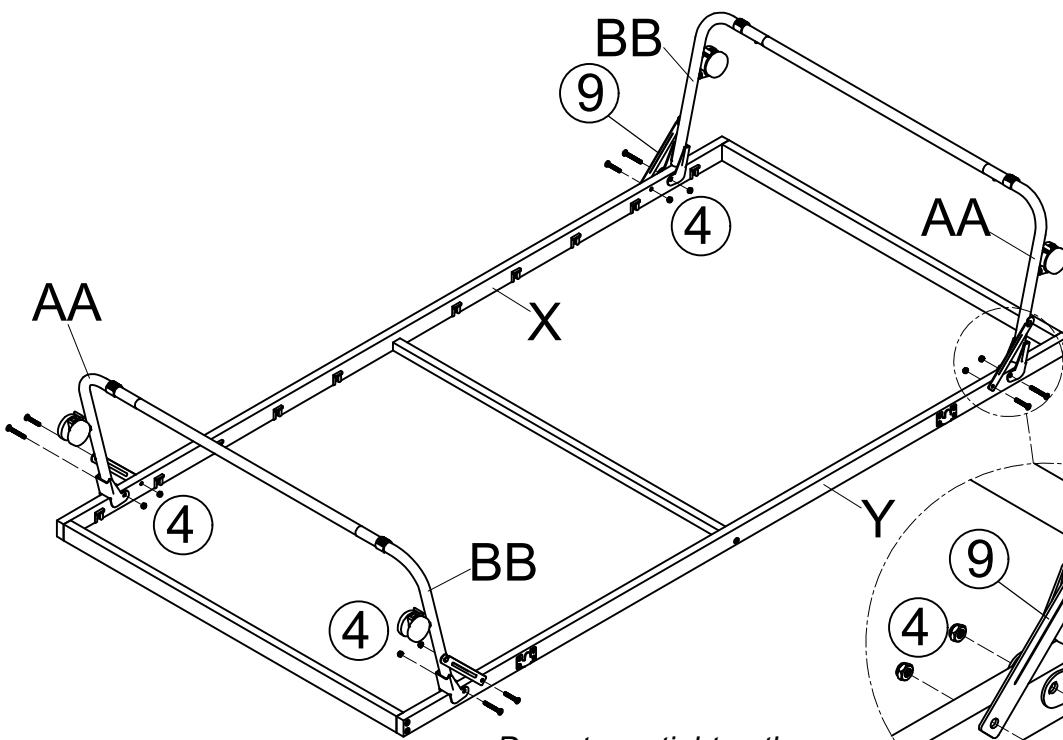






STEP 29



- 22  x4
- 27  x1

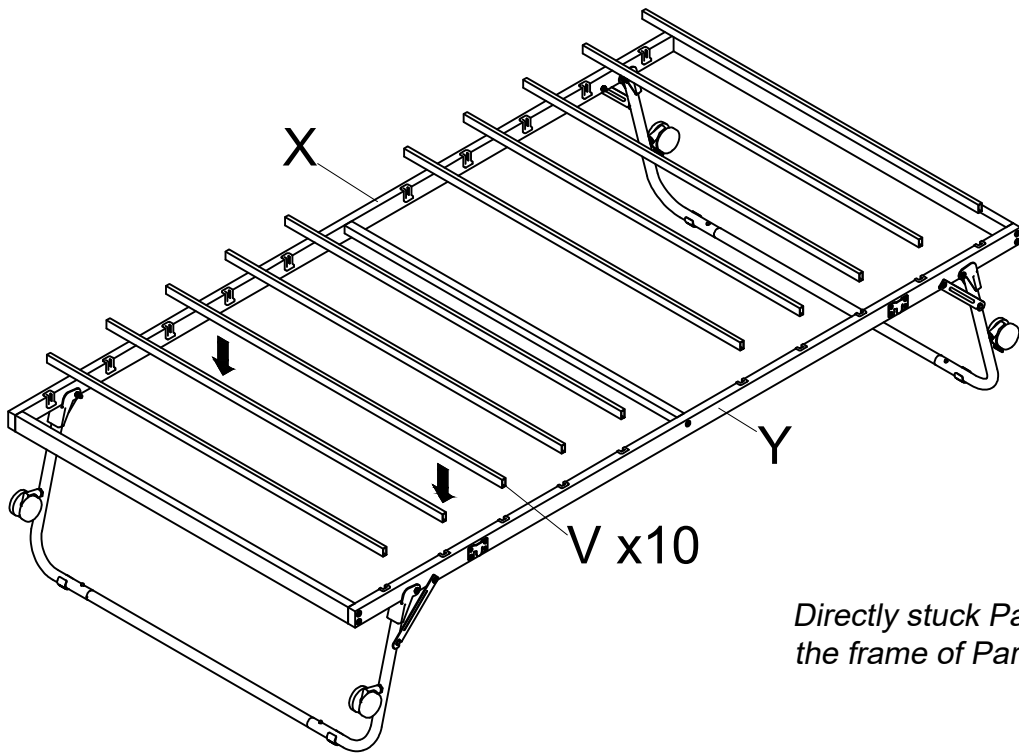
STEP 30



- 2  x4
- 4  x8
- 9  x4
- 14  x4
- 26  x1

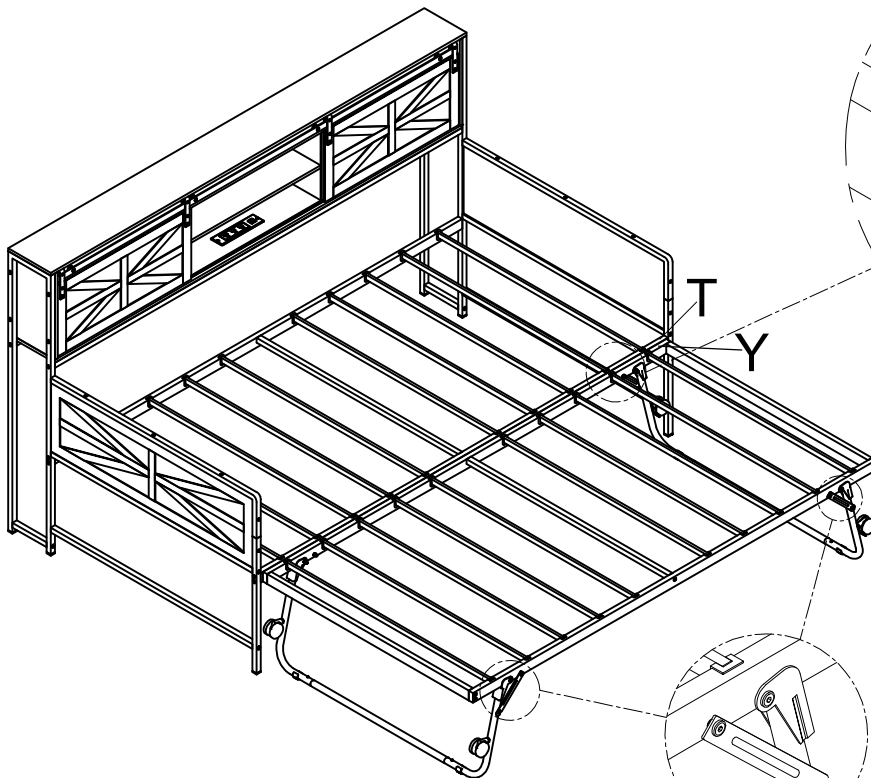
Do not overtighten the screw to avoid scratching the powder coating.

STEP 31



Directly stuck Part V into the frame of Part X&Y.

STEP 32

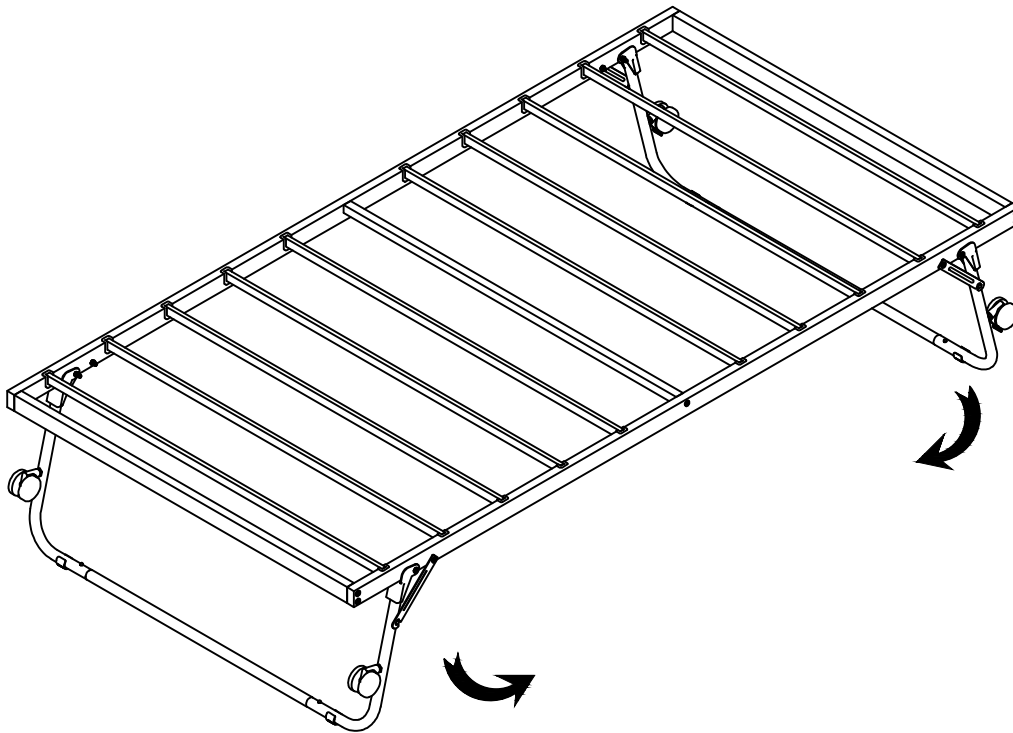


Fix bed frames together by using the hook plate.

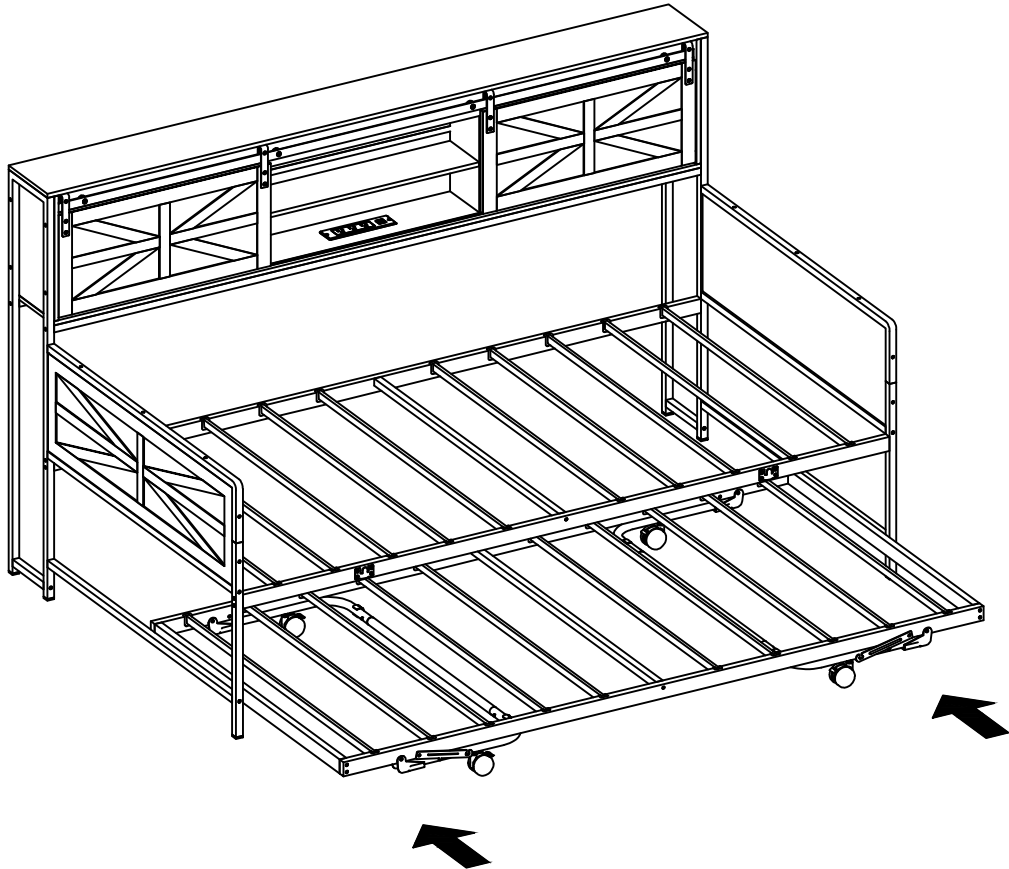
⚠ CAUTION

This step is necessary. Otherwise it will cause component deformation.



STEP 33

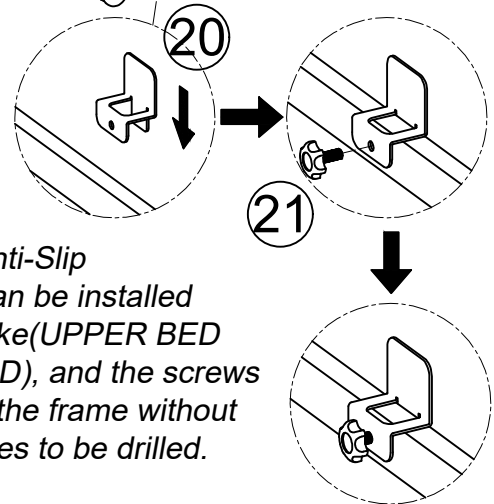
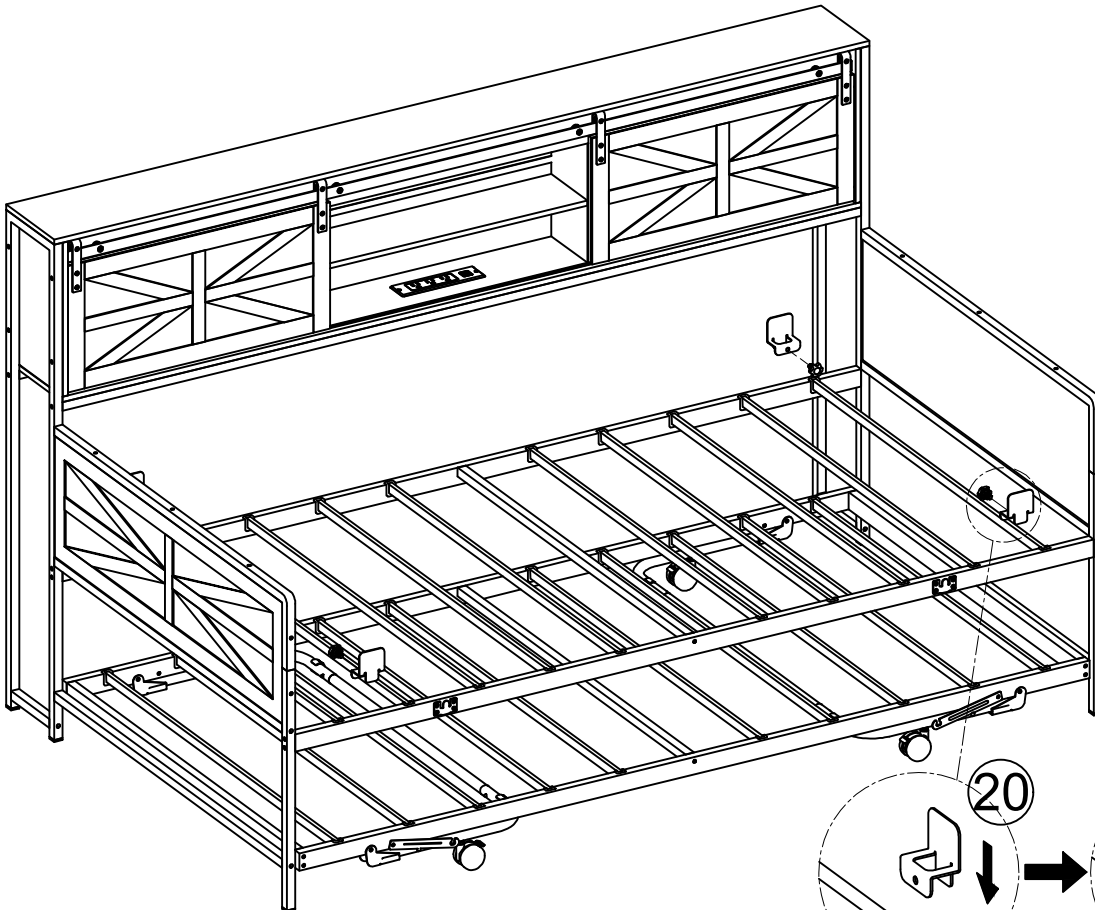


STEP 34



STEP 35

- 20  x4
- 21  x4



The Mattress Anti-Slip Gaskets(#20) can be installed anywhere you like(UPPER BED OR LOWER BED), and the screws (#21) snap into the frame without the need for holes to be drilled.