

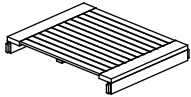
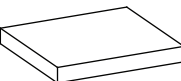
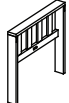
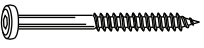
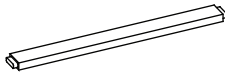


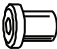

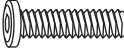
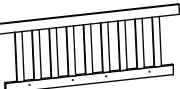

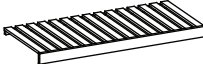

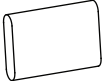

## CARE AND MAINTENANCE

Spot clean using a mild water-free solvent. Only a professional cleaner should undertake a complete overall cleaning.  
The use of steam or water-based cleaners may cause excessive shrinking or staining.

## NOTICE

- \* Please make sure all parts are included before you begin assembly of this item.
- \* This item should be assembled on a soft surface to prevent scratching the finish during assembly
- \* This item may require periodic tightening

### Parts List and Hardware List

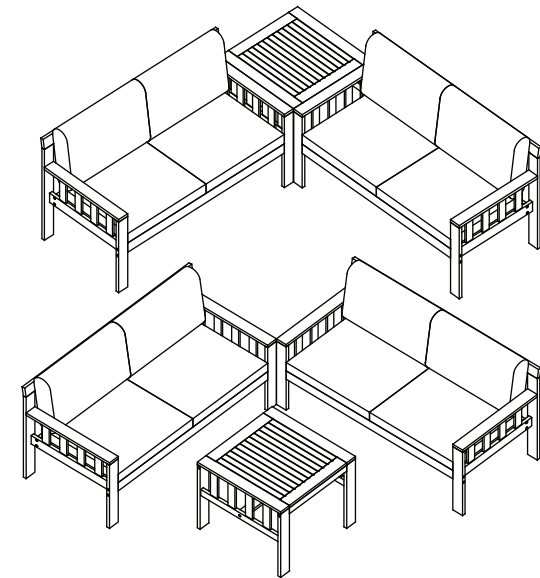
ID	PICTURE & DESCRIPTION	Q.tys	ID	PICTURE & DESCRIPTION	Q.tys
A	 Table top	1X	I	 Cushion seat	4X
B	 Table legs	2X	M1	 Screw Ø 7x120 mm	12X
C	 Cross bar of table	1X	M2	 Screw Ø 7x60 mm	10X
D	 Left bench leg	2X	M3	 Nuts Ø 6x13 mm	8X
E	 Right bench leg	2X	M4	 Bolts Ø 6x30 mm	8X
F	 Backrest	2X	M5	 Screw Ø 4x15 mm	4X
G	 Seat	2X	M6	 wooden dowel Ø 10x30 mm	8X
H	 Pillow	4X	M7	 Allen key	2X

Product dimension:

Table : 23,62"W x 23,62"D x 21,65"H  
Bench: 52,76"W x 24,6"D x 29,53"H

ASSEMBLY INSTRUCTIONS FOR SAFAVIEH  
LARDNER LIVING

THE DESIGN OF LARDNER LIVING IN THE DRAWINGS MAY VARY  
FROM ACTUAL, BUT ASSEMBLY CAN BE APPLIED  
FOR THIS ITEM



Weight Capacity: 550 lbs per bench & 88 lbs per table

WARNING: DO NOT STAND ON BENCH & TABLE

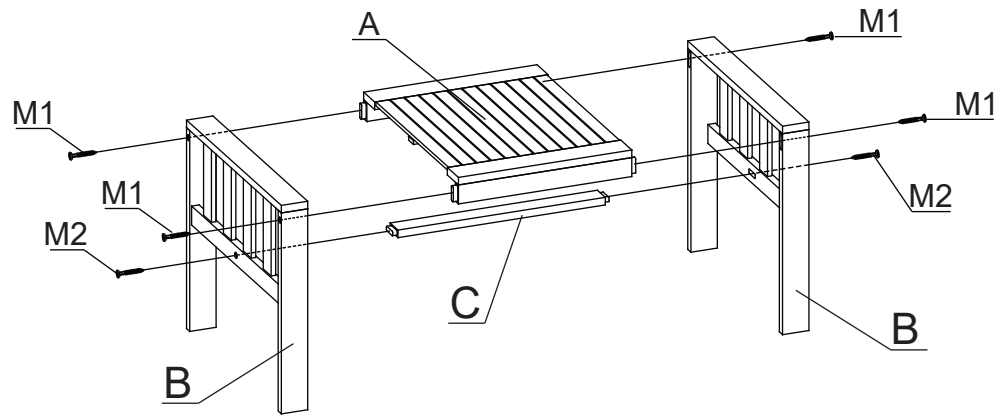
WARNING: DO NOT OVER TORQUE BOLTS/SCREWS

## PREPARATION

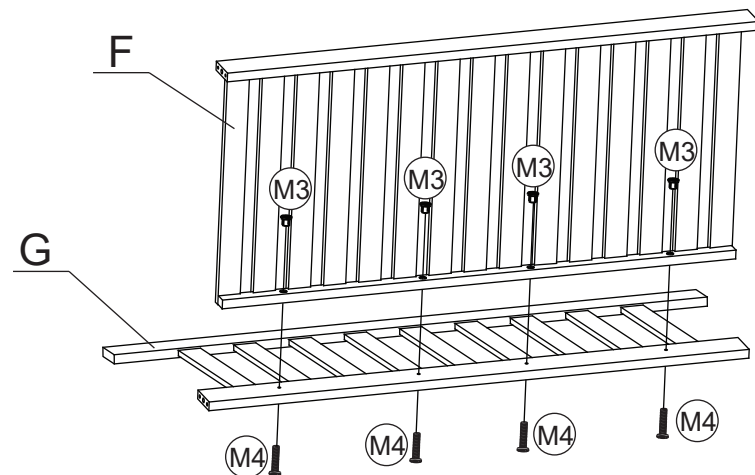
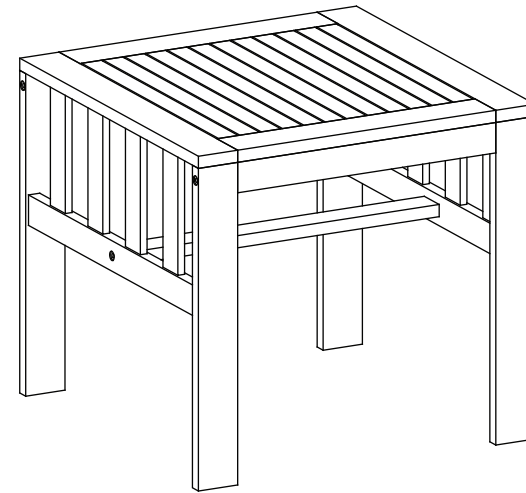
Before beginning assembly of product, make sure all parts are present. Compare parts with package contents list and hardware contents list. If any part is missing or damaged, do not attempt to assemble the product.

Estimated Assembly Time: 10 minutes.

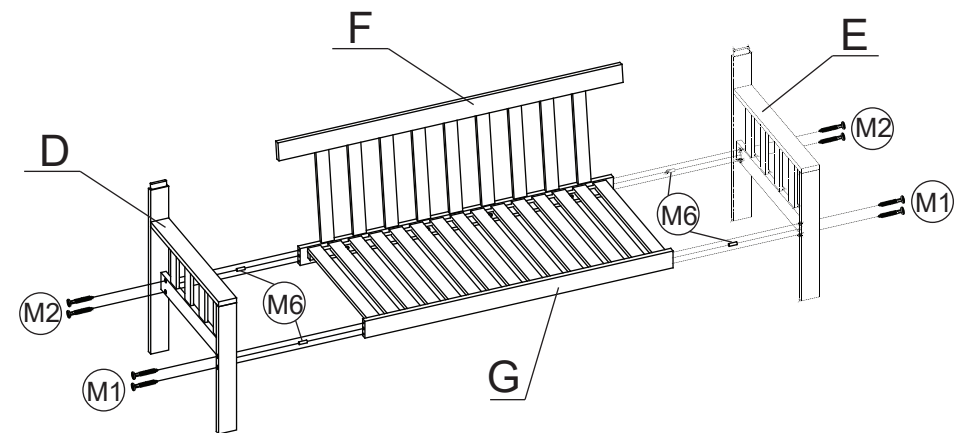
Tools Required for Assembly: Allen Key (included), screw Driver (not included)



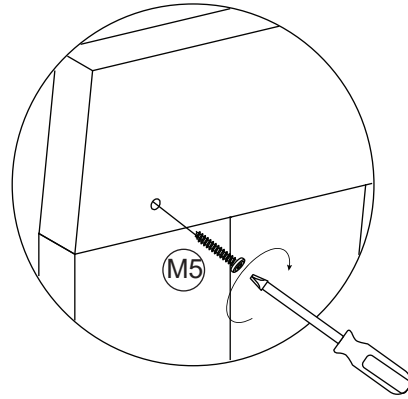
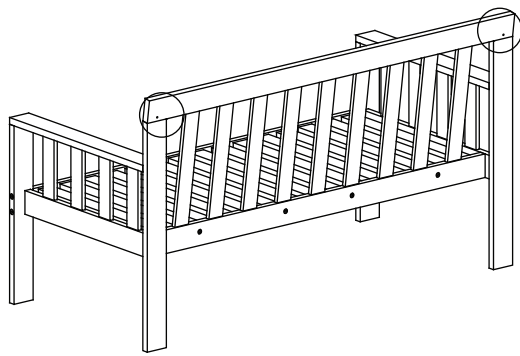
Step 1: attach table leg frame (B) to table top (A) & low cross bar (C), using screws (M1 & M2). Fully tighten using Allen Key (M7)



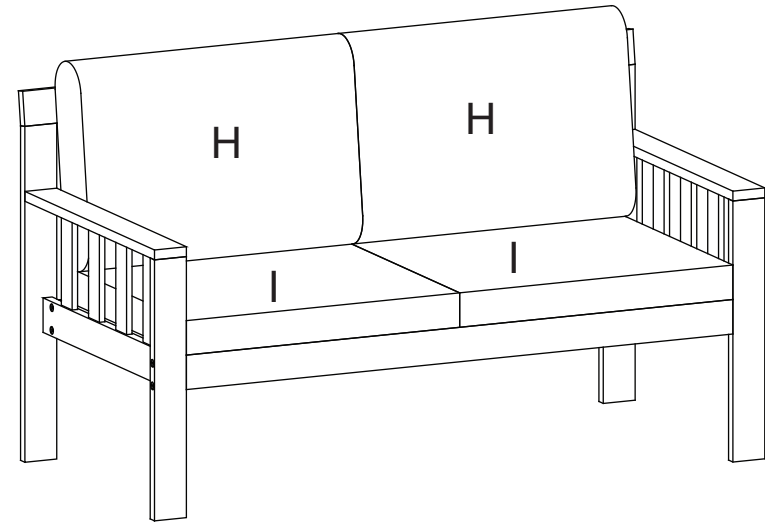
Step 1: Fix the seat bench (F) to Backrest (G) using Bolts (M4) & Nuts (M3). Fully tighten using Allen Key (M7)



Step 2: insert Wooden dowel (M6) into the hole in bench seat (G) then attach the right leg frame (D) to the assembled frame. Tighten using Allen Key (M7). Repeat for the left leg frame (E). Do not fully tighten Screw until all are installed.

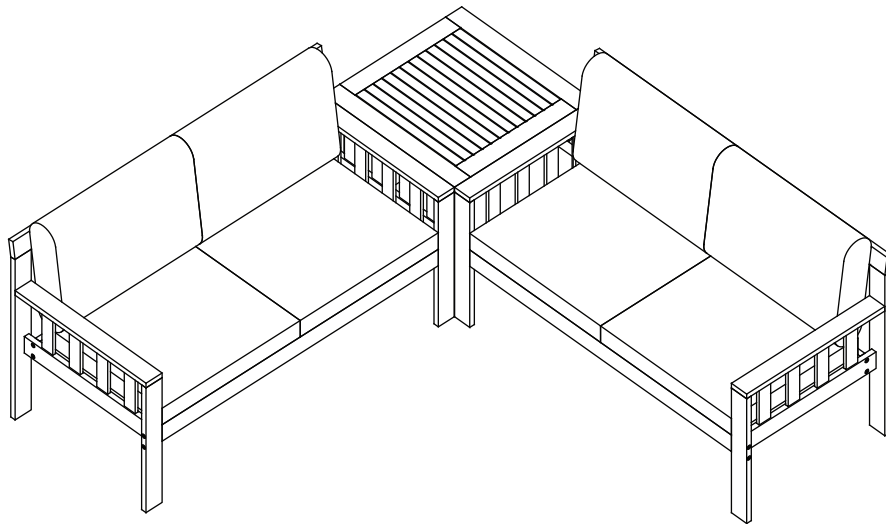


Step 3: Secure backrest to leg frame using screw (M5) tighten using screw driver (not included)

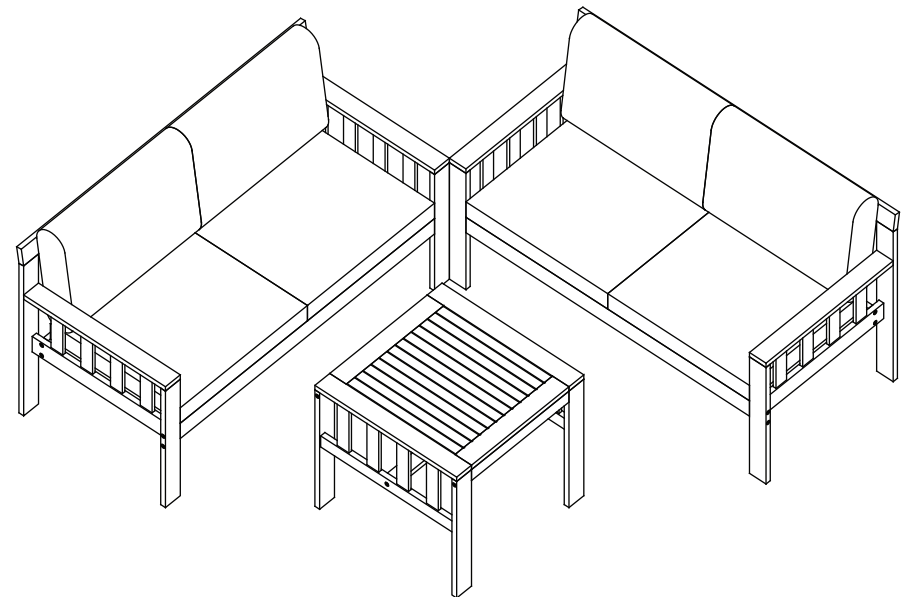


**X2**

Step 4: Place all cushions as shown



Option 1 in shown



Option 2 in shown