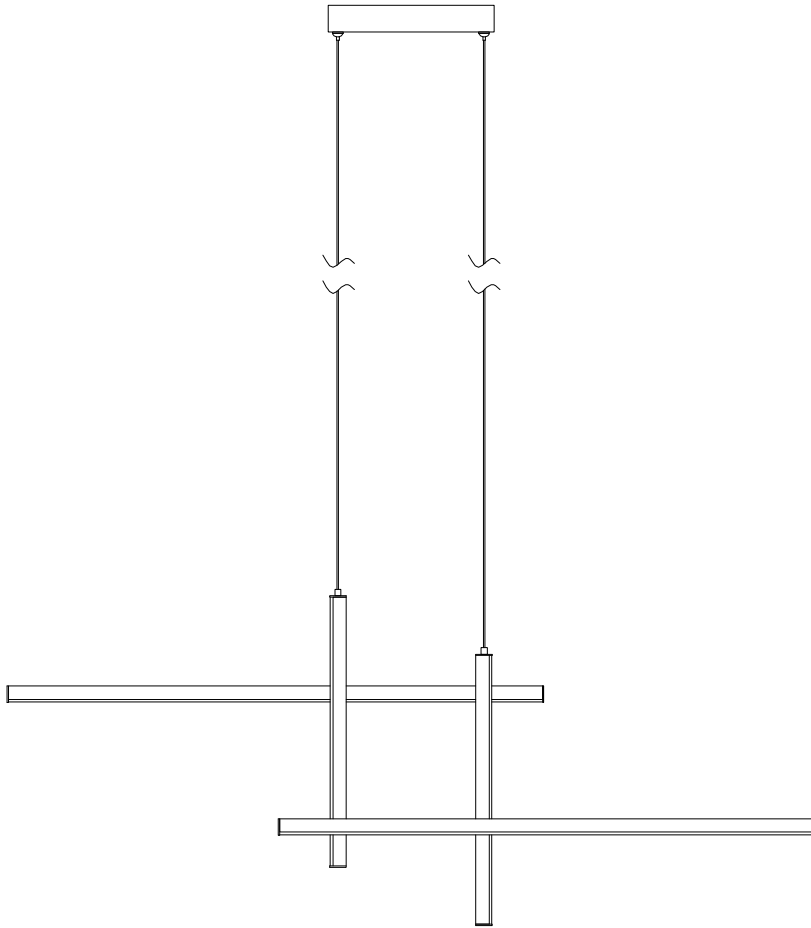


Please consult your electrician for hanging fixture and wiring.

CA2451-H

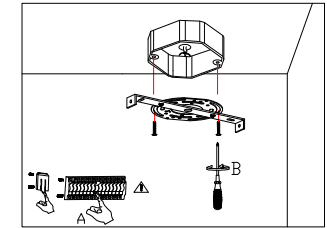
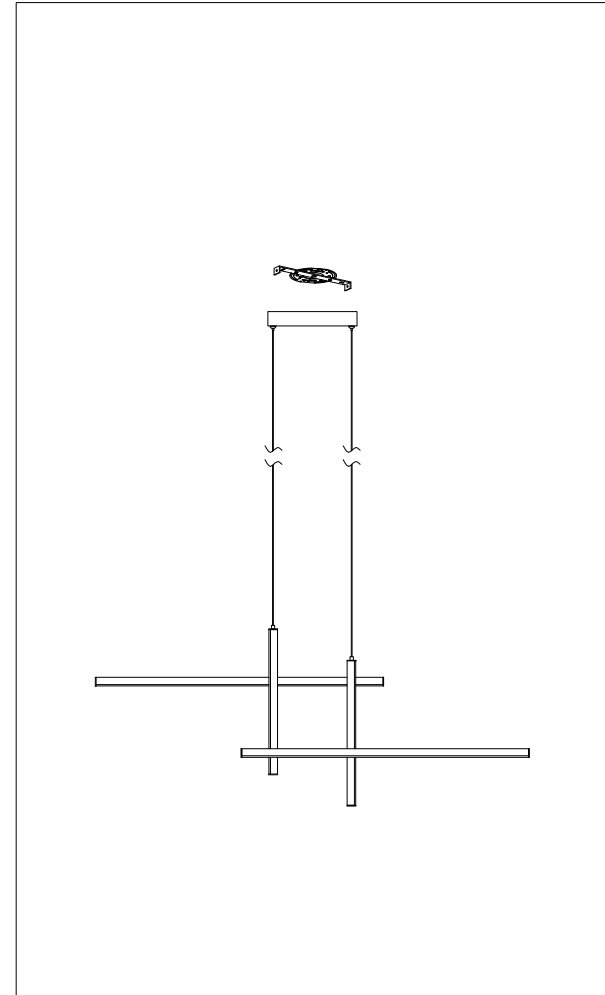


**IMPORTANT:** Turn off the power at the main fuse or circuit breaker box before starting installation



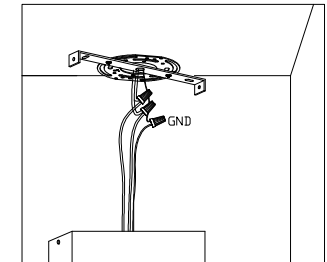
**Bracket**

**Locate all hardware & components before discarding packaging**



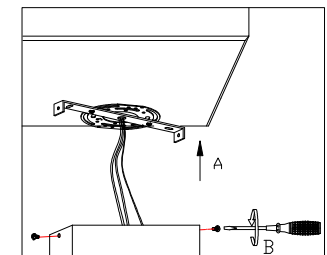
1.)

**Step 1: Remove mounting bracket from fixture and install it to electrical box.**



2.)

**Step 2: Wire fixture to wires in outlet box. Green wire is for ground.**



3.)

**Step 3: Install fixture to back-plate and tighten worm screws so that fixture meets the wall.**

**Cleaning & Care:**  
Clean with soft cloth and a mild detergent.  
Do not use abrasive cleaner.