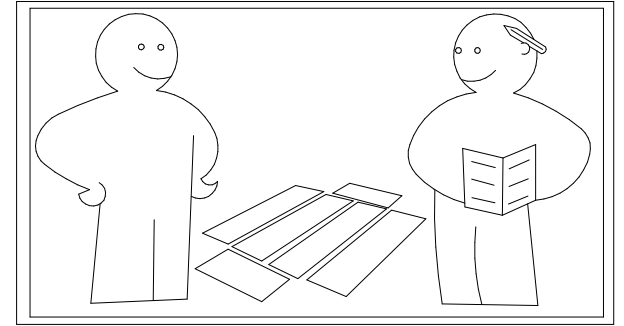
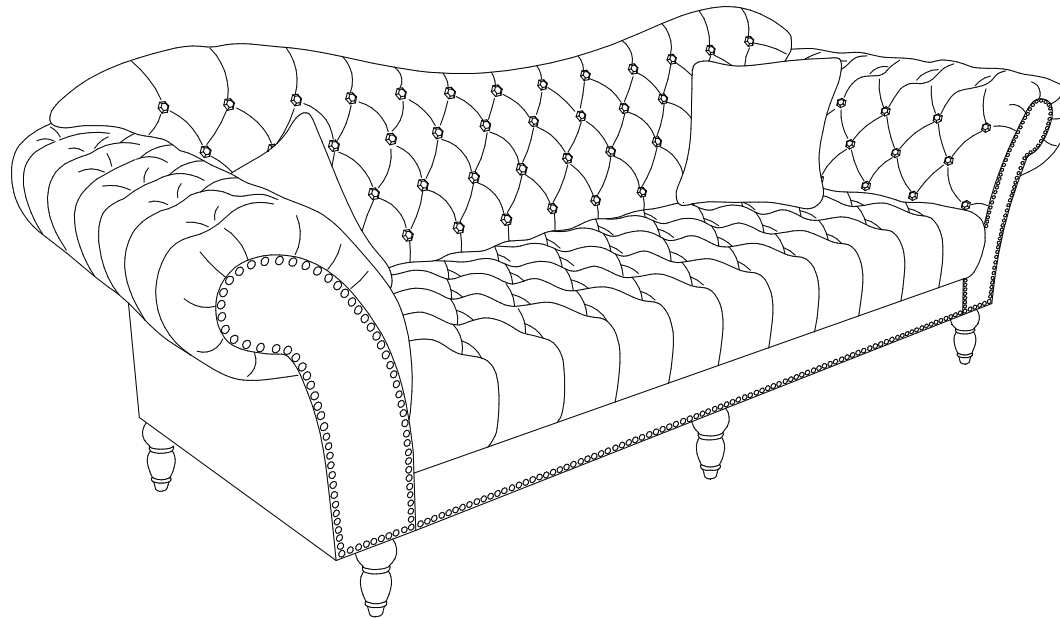


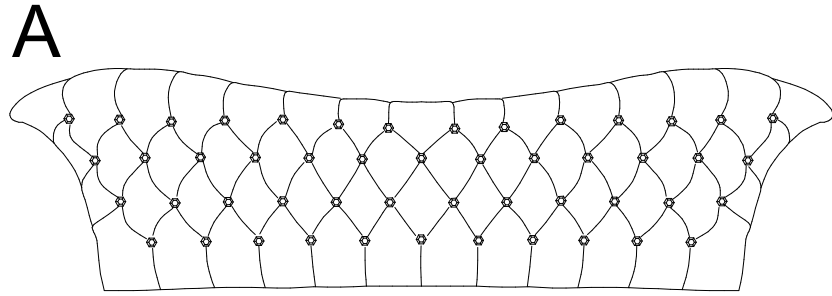
ASSEMBLY INSTRUCTION



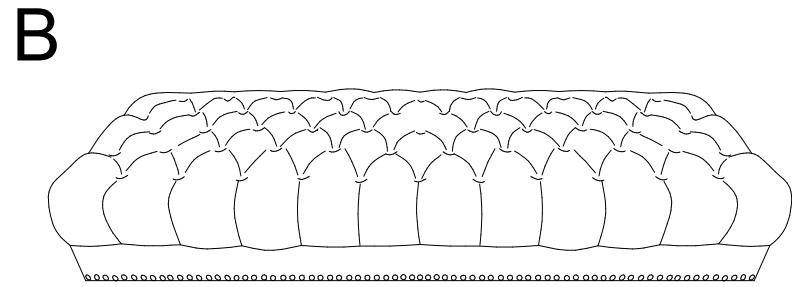
Attention:
Two people are required for assembly and lifting unit.



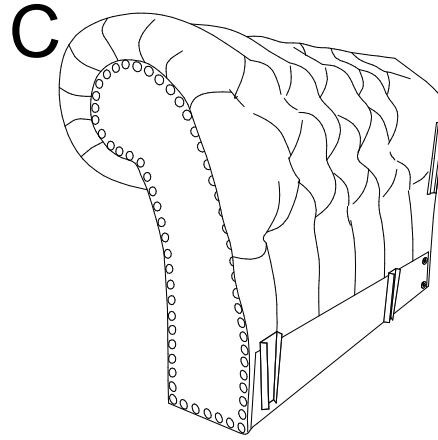
ASSEMBLY PART



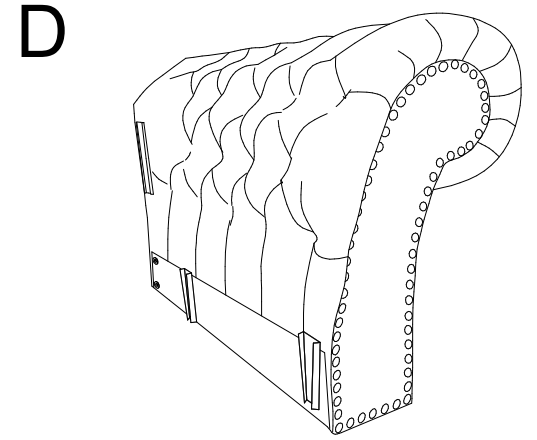
BACK REST (1PC)



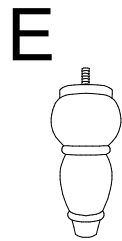
SEAT FRAME (1PC)



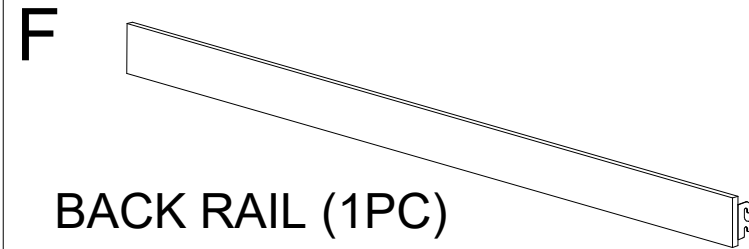
LEFT ARM (1PC)



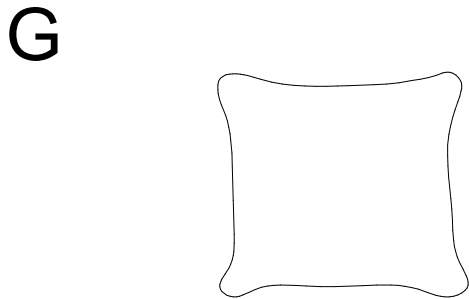
RIGHT ARM (1PC)



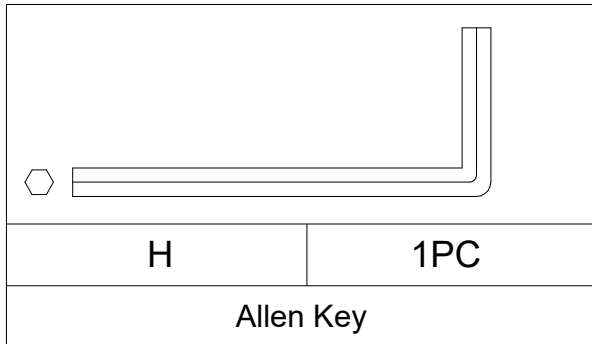
LEG (5PCS)



BACK RAIL (1PC)



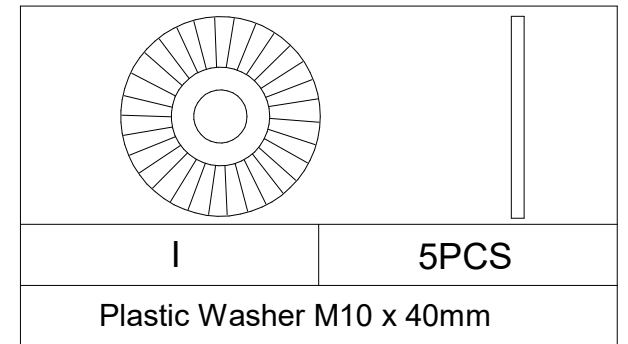
PILLOW (2PCS)



H

1PC

Allen Key



I

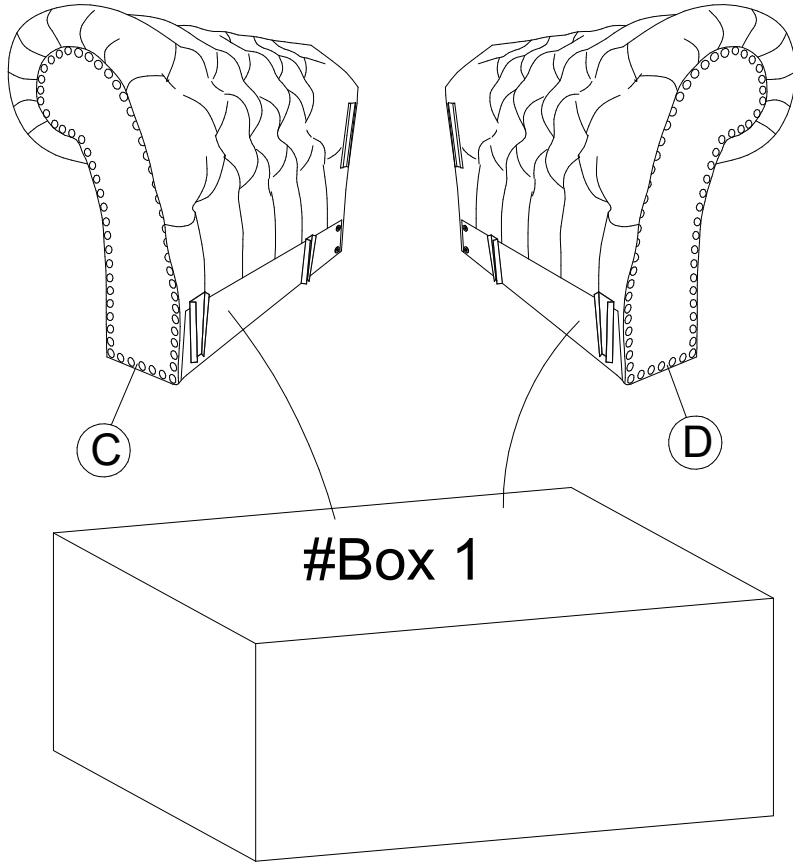
5PCS

Plastic Washer M10 x 40mm

BOX OPENING

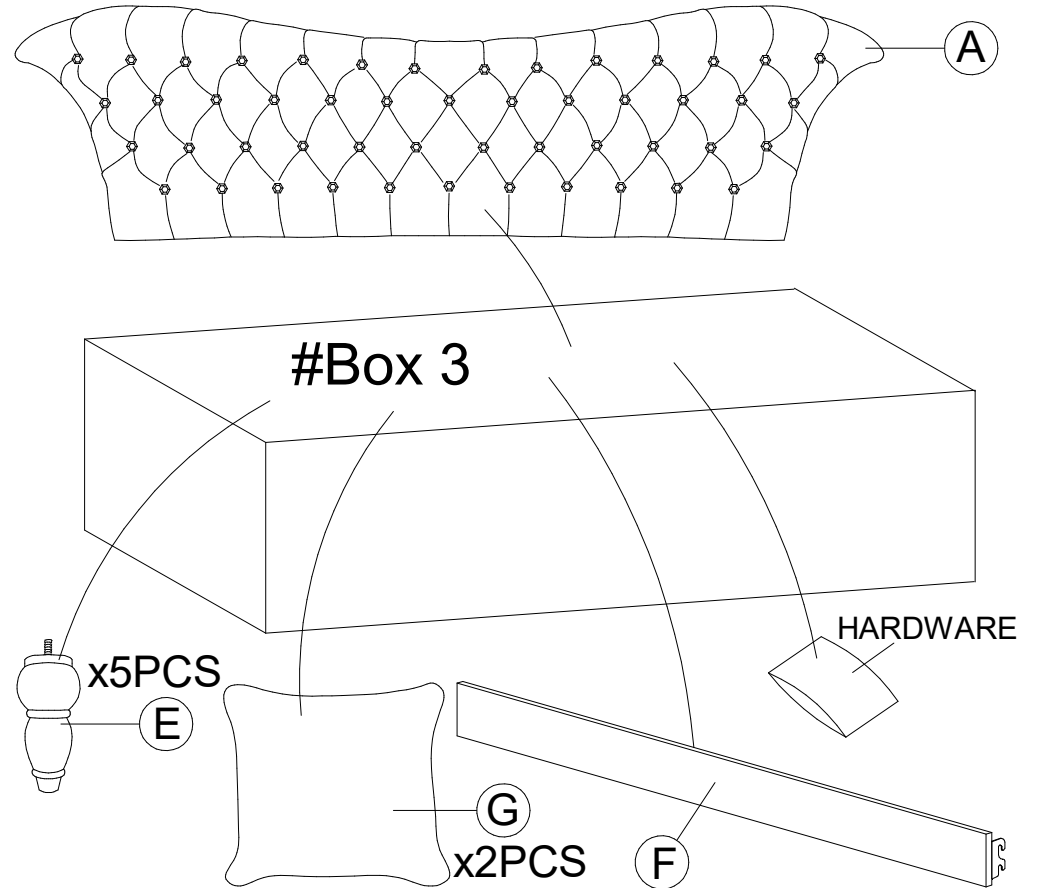
Box Opening 1

Please remove all the part from box.



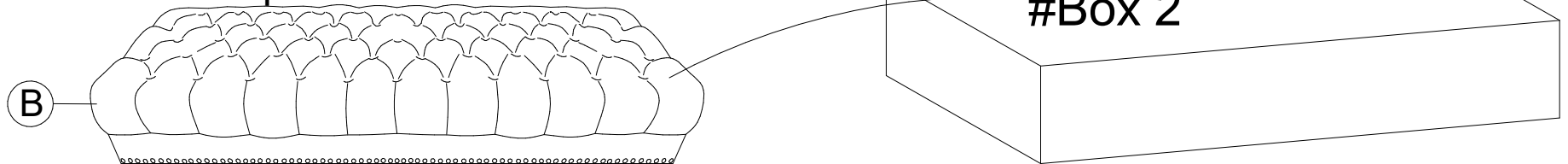
Box Opening 3

Please remove all the part from box.



Box Opening 2

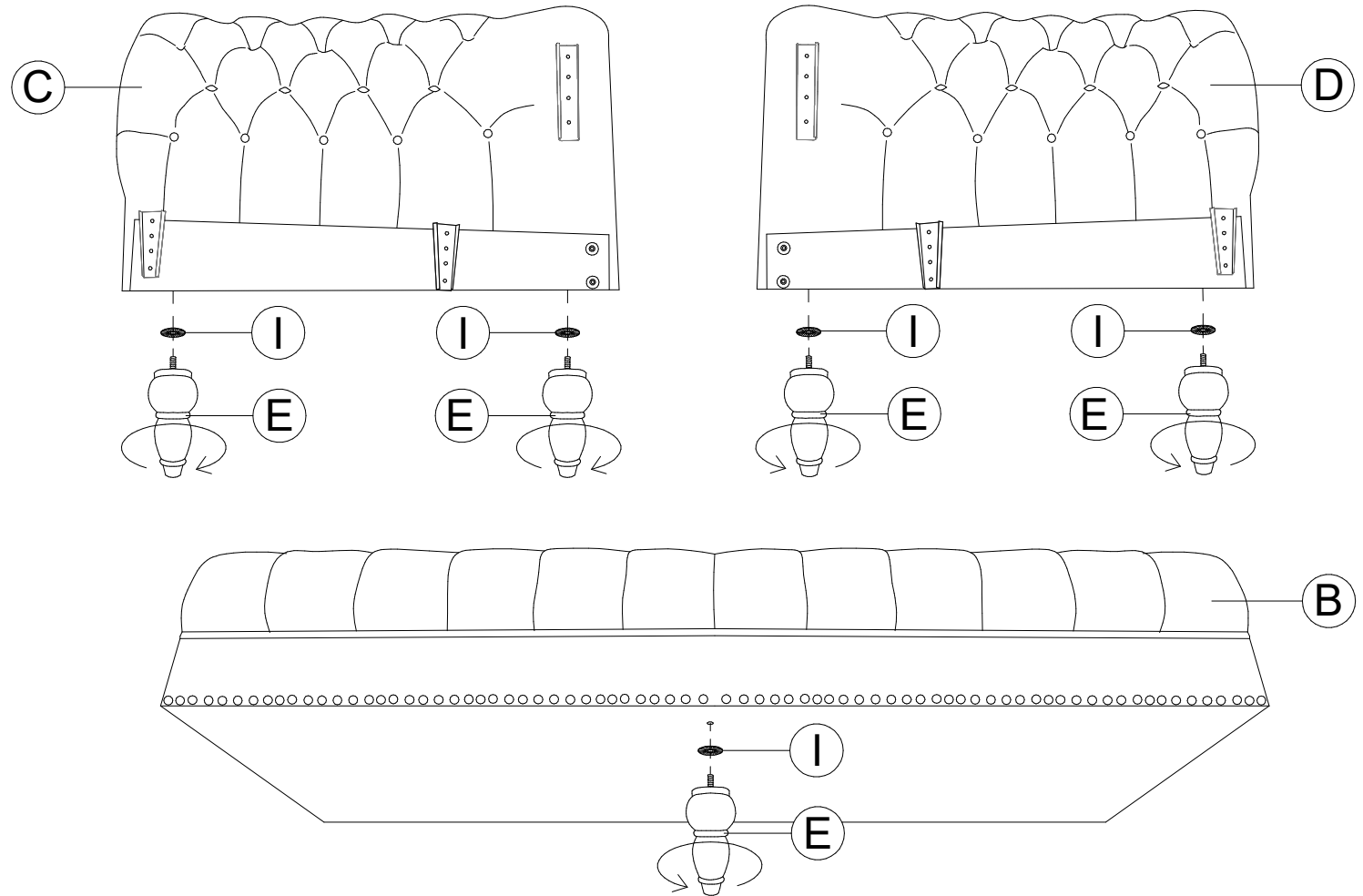
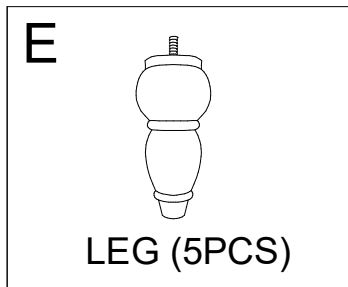
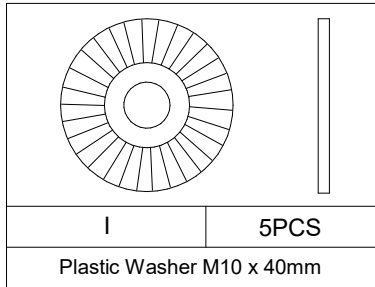
Please remove the part from box.



ASSEMBLY INSTRUCTION

STEP 1.

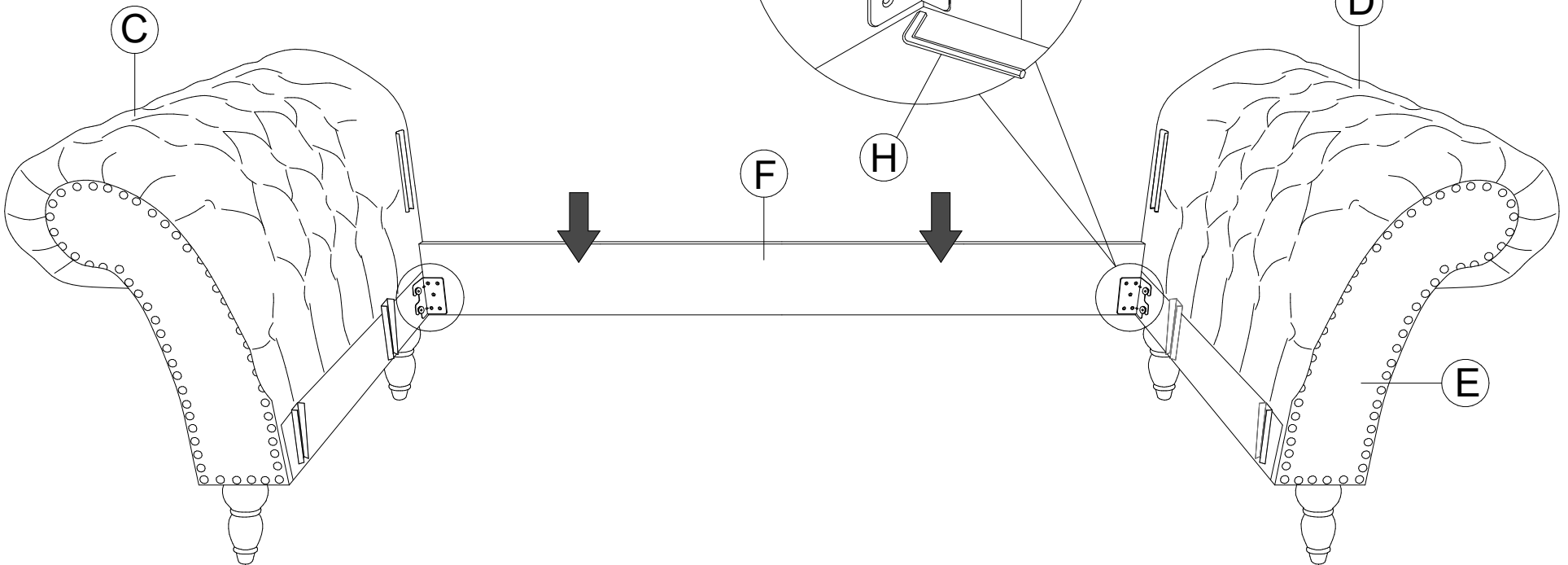
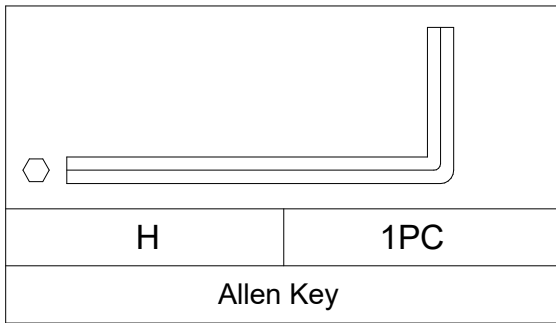
Attached the Leg (E) (5pcs) to the Left Arm (C), Right Arm (D) and Seat Frame (B). Legs should be tightened.



ASSEMBLY INSTRUCTION

STEP 2.

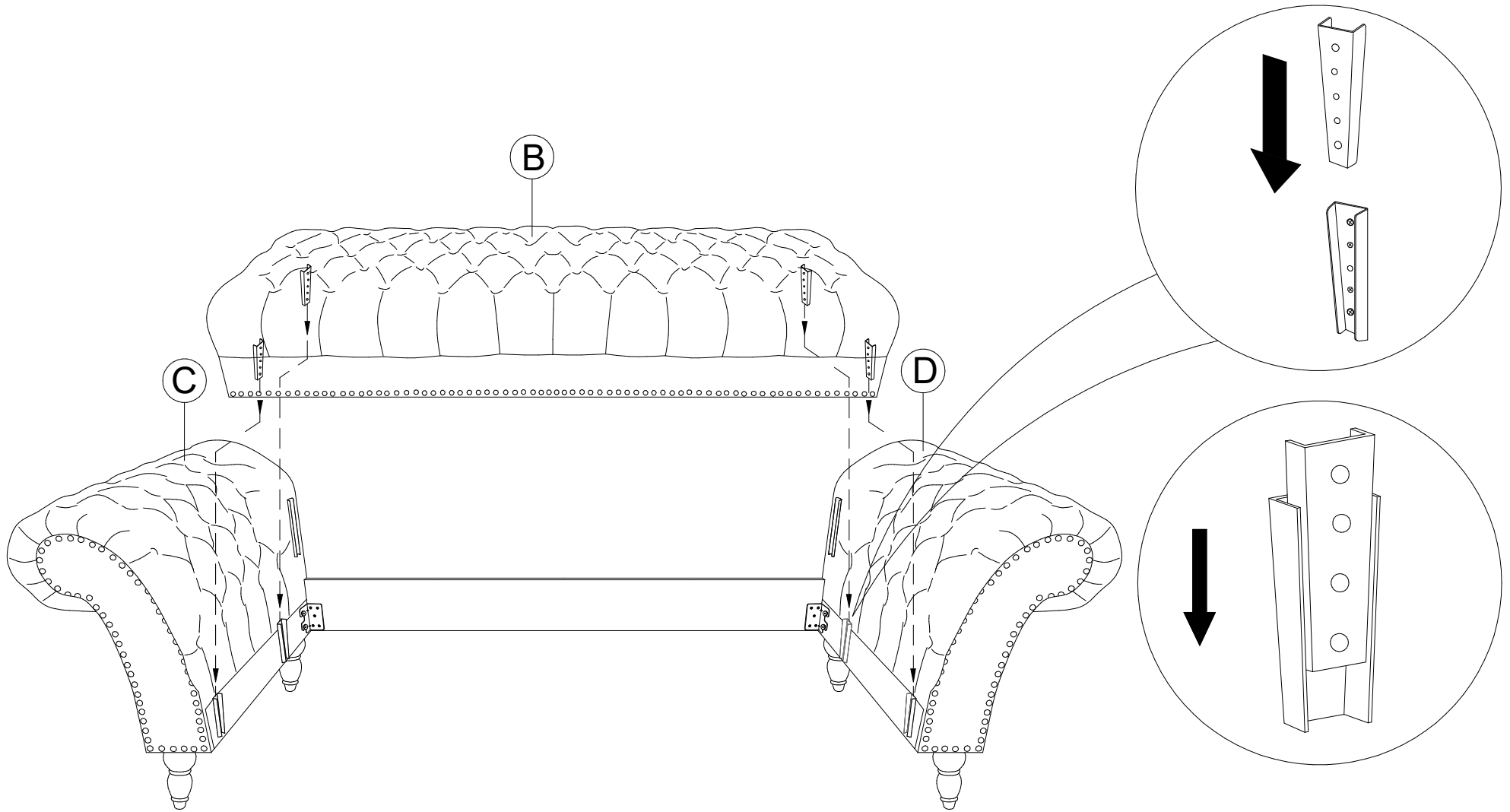
Slightly loosen the four bolts using Allen Key without removing the bolts completely from both Side Arms (C and D). Hook on Back Rail (F) hooks into loosen bolts, once placed tighten and secure all four bolts with Allen Key (H).



ASSEMBLY INSTRUCTION

STEP 3.

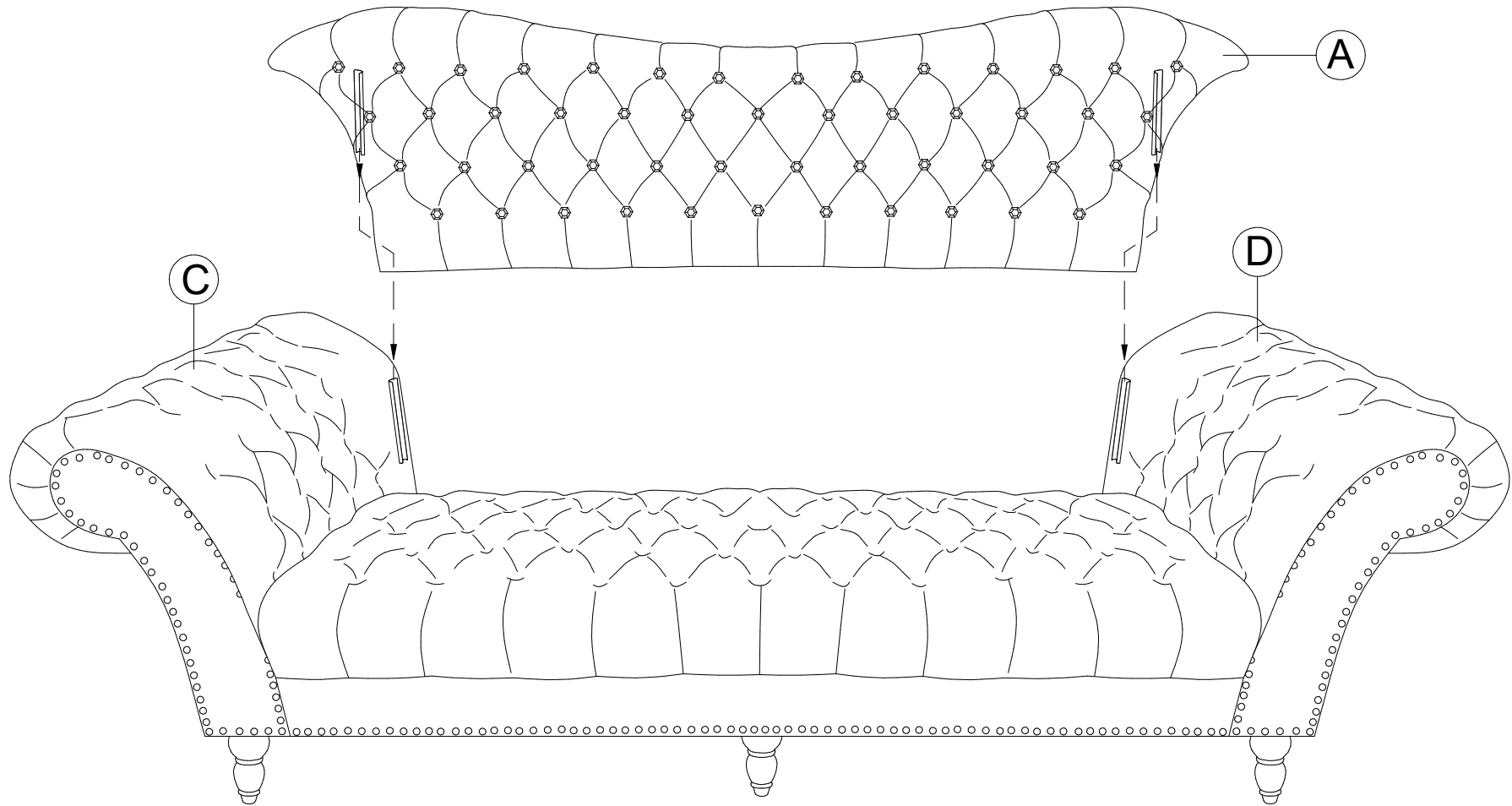
Hook on the Seat Frame (B) into Left Arm (C) and Right Arm (D) securely.



ASSEMBLY INSTRUCTION

STEP 4.

Hook on the Back Rest (A) into Left Arm (C) and Right Arm (D) securely.



ASSEMBLY INSTRUCTION

STEP 5.

Lay Pillows (G) (2pcs).

