

# INSTALLATION

**CAUTION**

Parts are placed at the bottom of the product.

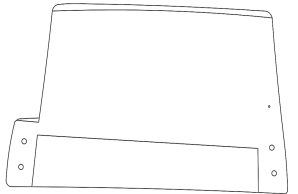
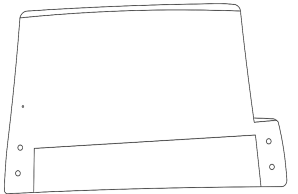

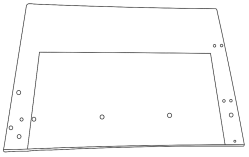

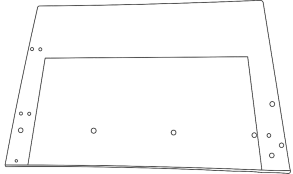
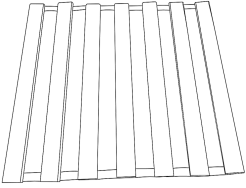
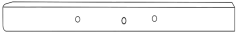
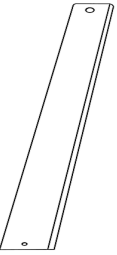


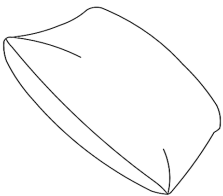
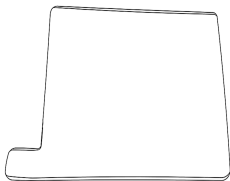
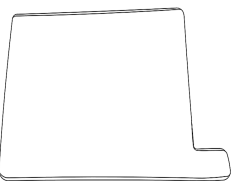
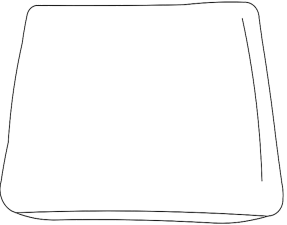
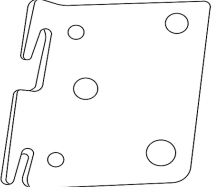
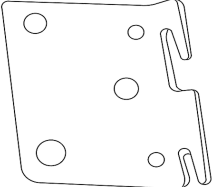
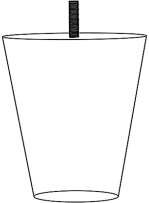

# Assembly Instructions

## CAUTION

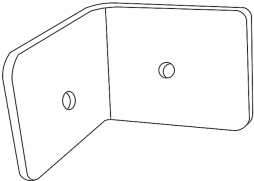

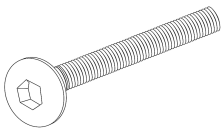
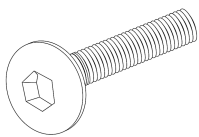
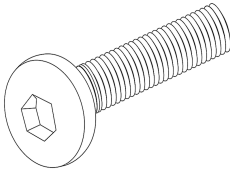
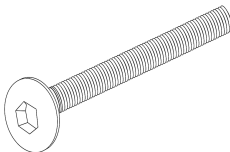
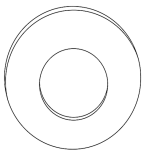
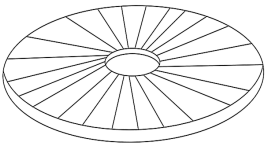
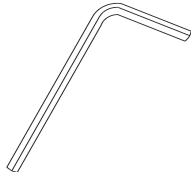
**DO NOT** use any sharp objects to open plastic wrapped components as this may result damage to product or components .

Your recliner comes packaged in **One** boxes. Carefully remove all of components from the packaging and setaside for assembly.

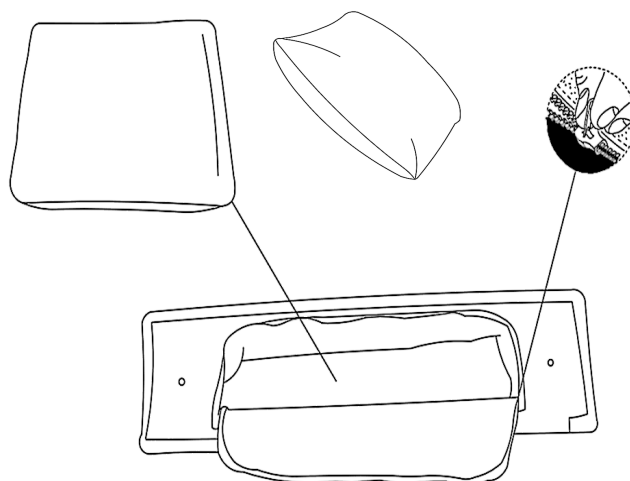
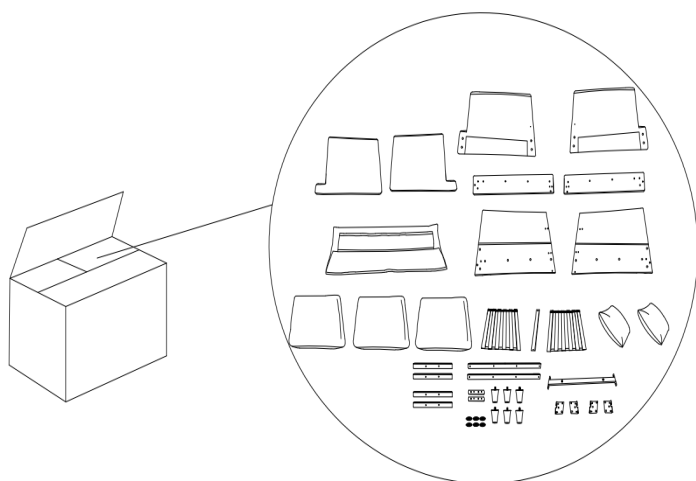
## Package Contents

<b>BOX 1</b>				
	<b>A*1</b>	<b>B*1</b>	<b>C*1</b>	<b>D*1</b>
				
<b>E*1</b>	<b>F*1</b>	<b>G*2</b>	<b>H*4</b>	<b>I*1</b>
				
<b>J*2</b>	<b>K*1</b>	<b>L*2</b>	<b>M*1</b>	<b>N*1</b>
				
<b>O*3</b>	<b>P*2</b>	<b>Q*2</b>	<b>R*6</b>	<b>S*1</b>

# Package Contents

				
<b>T*2</b>	<b>U*2</b>			
<b>H1</b>	<b>H2</b>	<b>H3</b>	<b>H4</b>	<b>H5</b>
				
<b>M6*45-BLACK</b>	<b>M6*20-BLACK</b>	<b>M8*25-BLACK</b>	<b>M6*65-BLACK</b>	<b>6* 16*T1-BLACK</b>
<b>20PCS</b>	<b>28PCS</b>	<b>8PCS</b>	<b>2PCS</b>	<b>50PCS</b>
<b>H6</b>	<b>H7</b>			
				
	<b>5MM-BLACK</b>			
<b>6PCS</b>	<b>1PCS</b>			

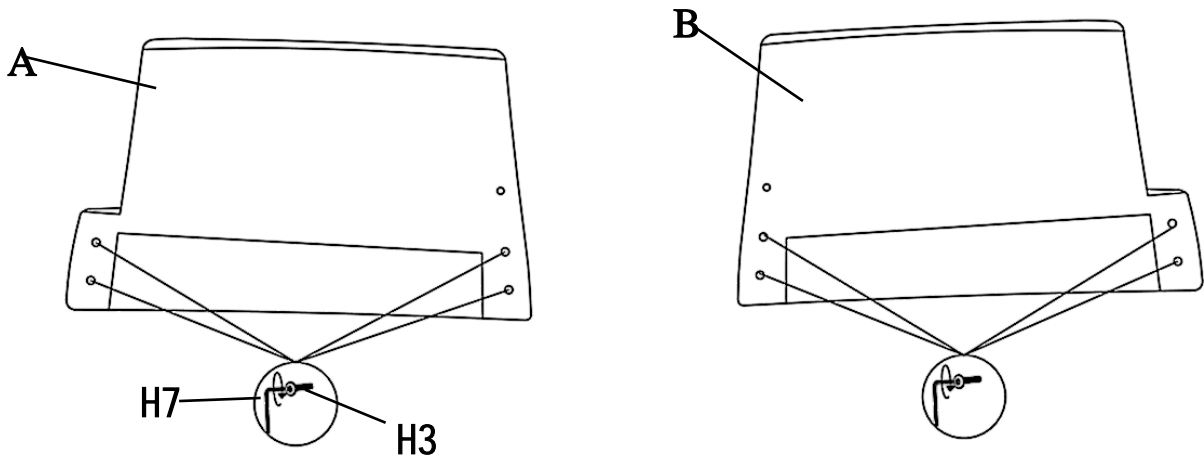
Carefully remove all components from the cardboard box and set them aside for assembly. Note: The left and right armrests (A & B) each contain a compressed cushion and an armrest cover (O & L) inside. To remove these cushions, gently unzip the zipper at the bottom of each armrest (A & B), carefully pull out the compressed cushion and armrest cover (O & L), and once the cushion has been removed, rezip the bottom zipper closed.



# 1 Sofa Assembly – Installation Steps

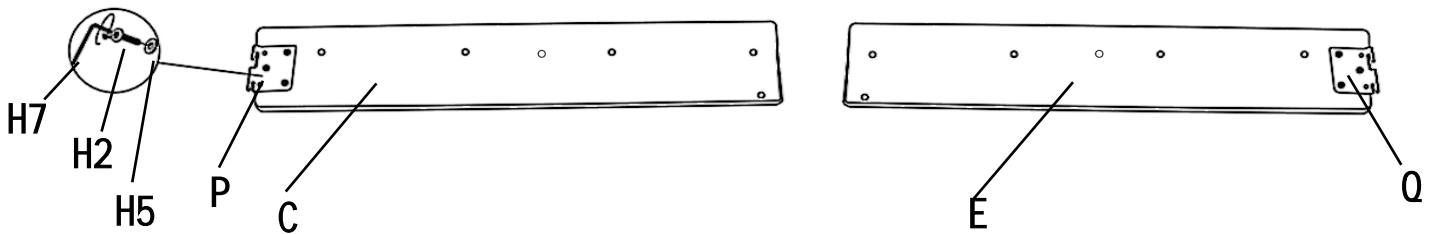
## Step 1

Use the wrench (H7) to tighten the screw (H3) onto the handrails (A & B). Note: Tighten only to 50 percent.



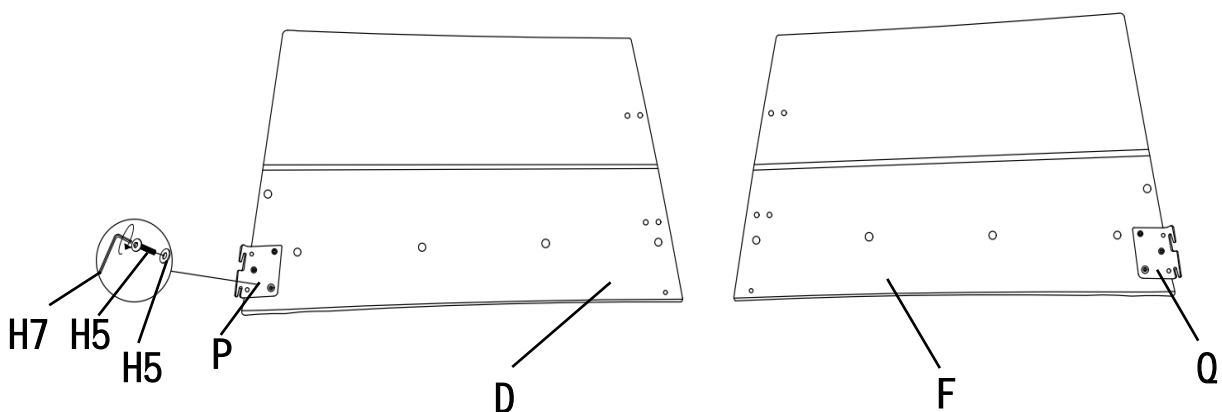
## Step 2

Using the wrench (H7), thread the screw (H2) through the washer (H5) and tighten the bracket (P&Q) onto the front panel (C&E). Note: Tighten to 100%.



## Step 3

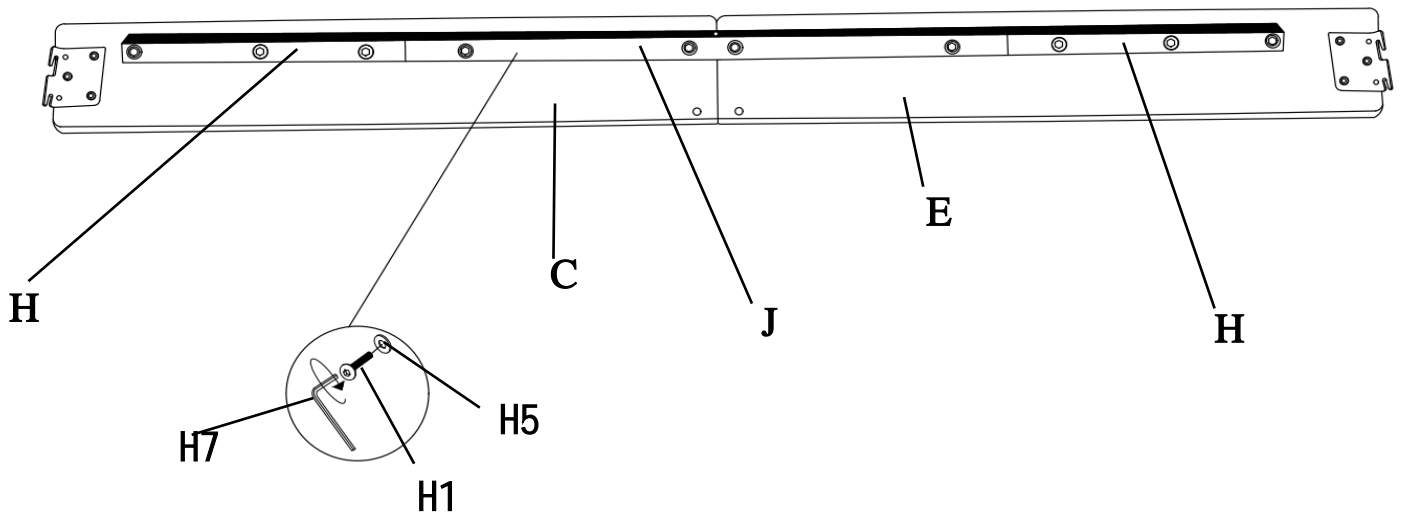
Using the wrench (H7), thread the screw (H2) through the washer H5, and then tighten the bracket (P&Q) onto the backrest (D&F). Note: Tighten to 100%.



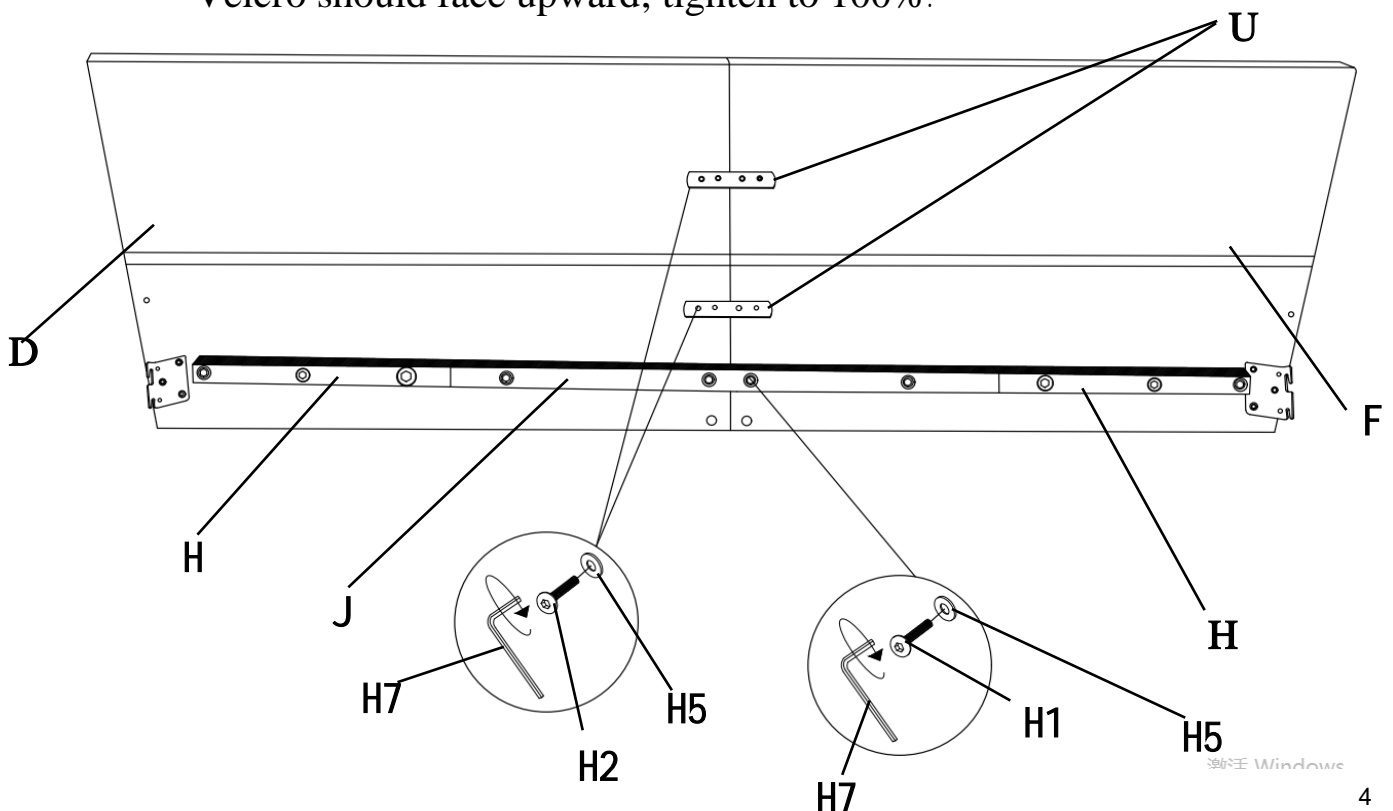
# 2 Sofa Assembly – Installation Steps

## Step 4

Use the wrench (H7) to tighten the wooden crossbar (H&J&H) onto the front panel (C&E), threading the screw (H1) through the washer (H5). Note: The side of the wooden crossbar with the Velcro should face upward. Tighten to 100%.

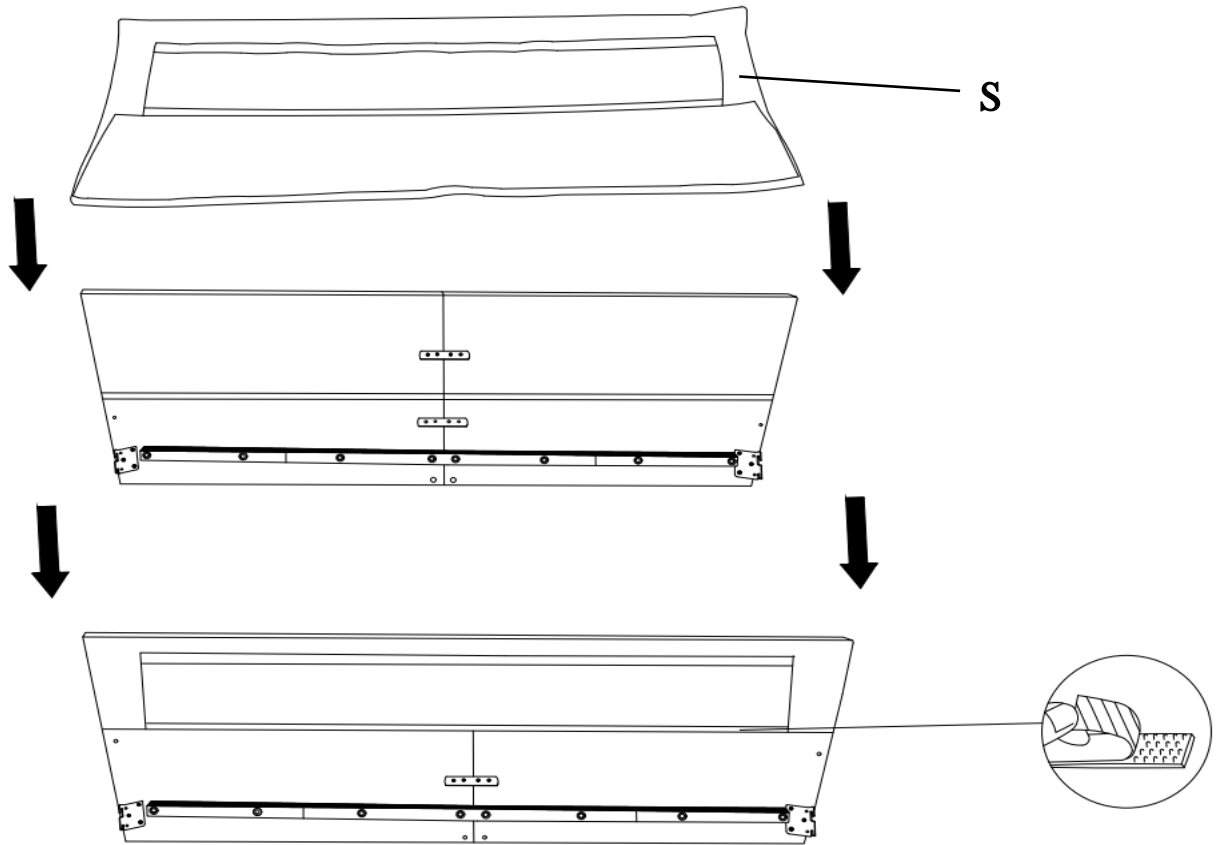


**Step 5** Using the wrench (H7), thread the screw (screw H1 & H2) through the washer H5, and tighten the wooden crossbar (H & J & H) and the patch (U × 2) onto the backrest (D & F). Note: The side of the wooden crossbar with the Velcro should face upward; tighten to 100%.

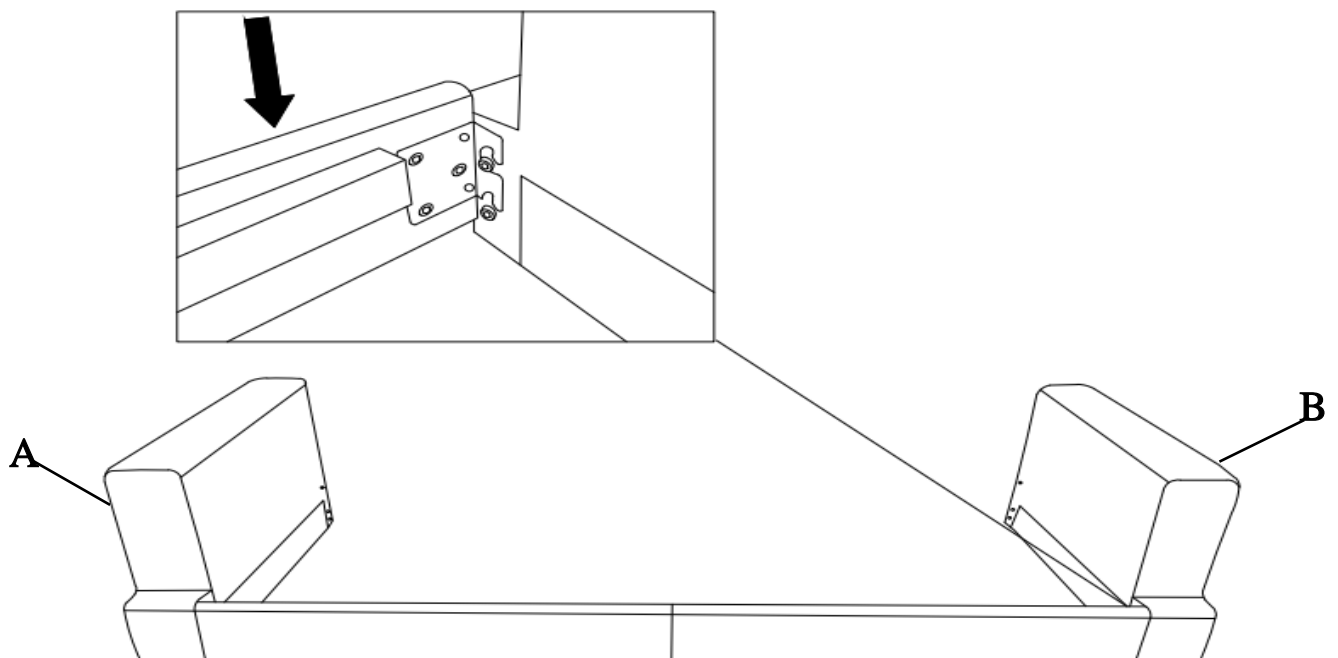


# 3 Sofa Assembly – Installation Steps

**Step 6** Put the assembled backrest cover (S) over the backrest, and after installation, securely fasten the front and back Velcro straps on the backrest and the cover.

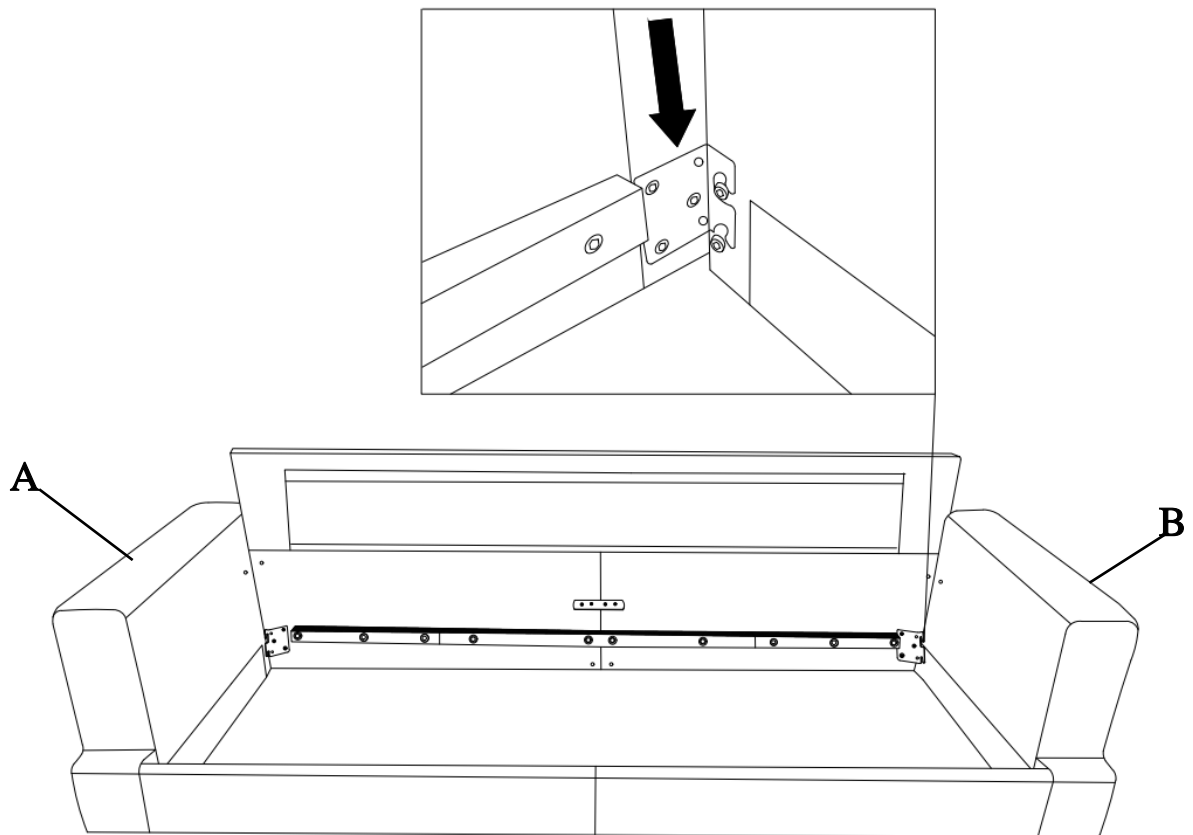


**Step 7** The installed front panel is placed on the inner-side screws in front of the left and right armrests (A&B) using hanging clips. Note: Do not tighten them yet.

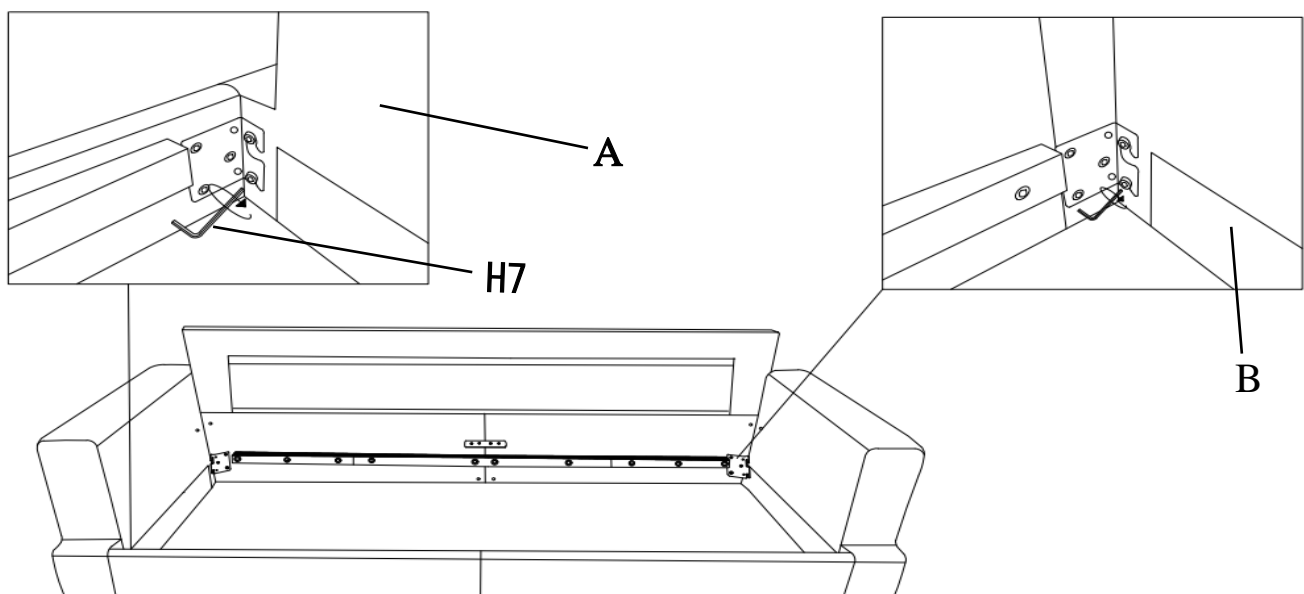


# 4 Sofa Assembly – Installation Steps

**Step 8** The installed backrest is placed on the inner-side screws behind the left and right armrests (A&B) using hanging clips. Note: Do not tighten them yet.

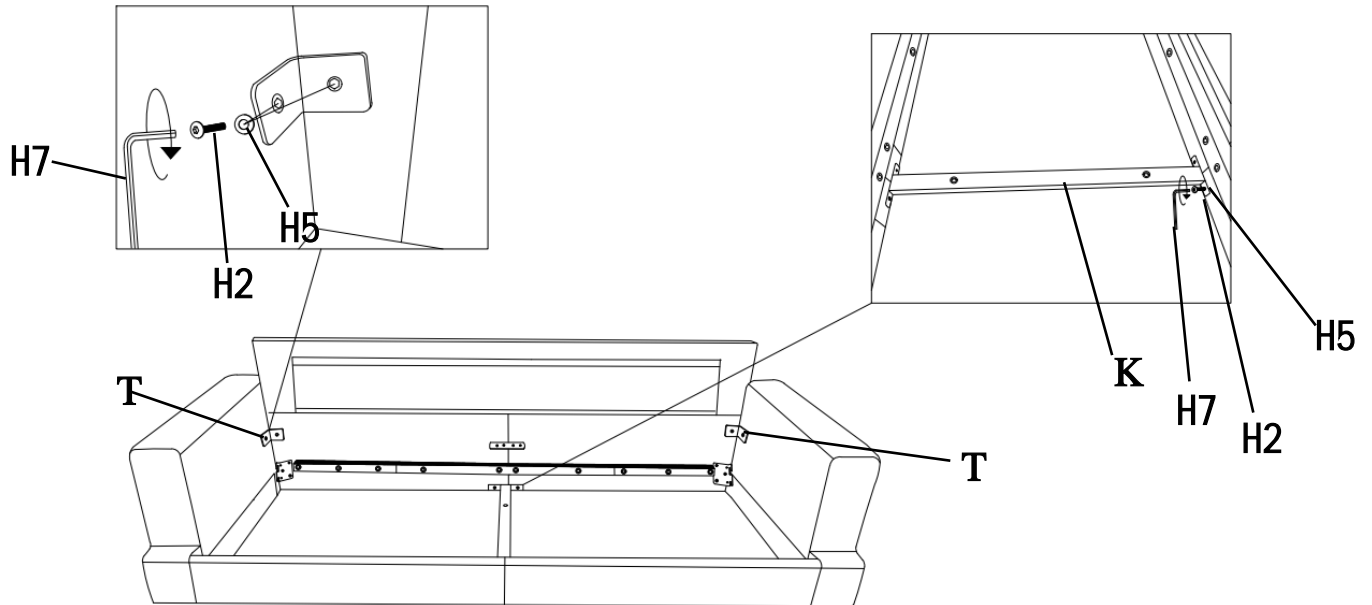


**Step 9** Tighten the handrail (A & B) screws using the wrench (H7).

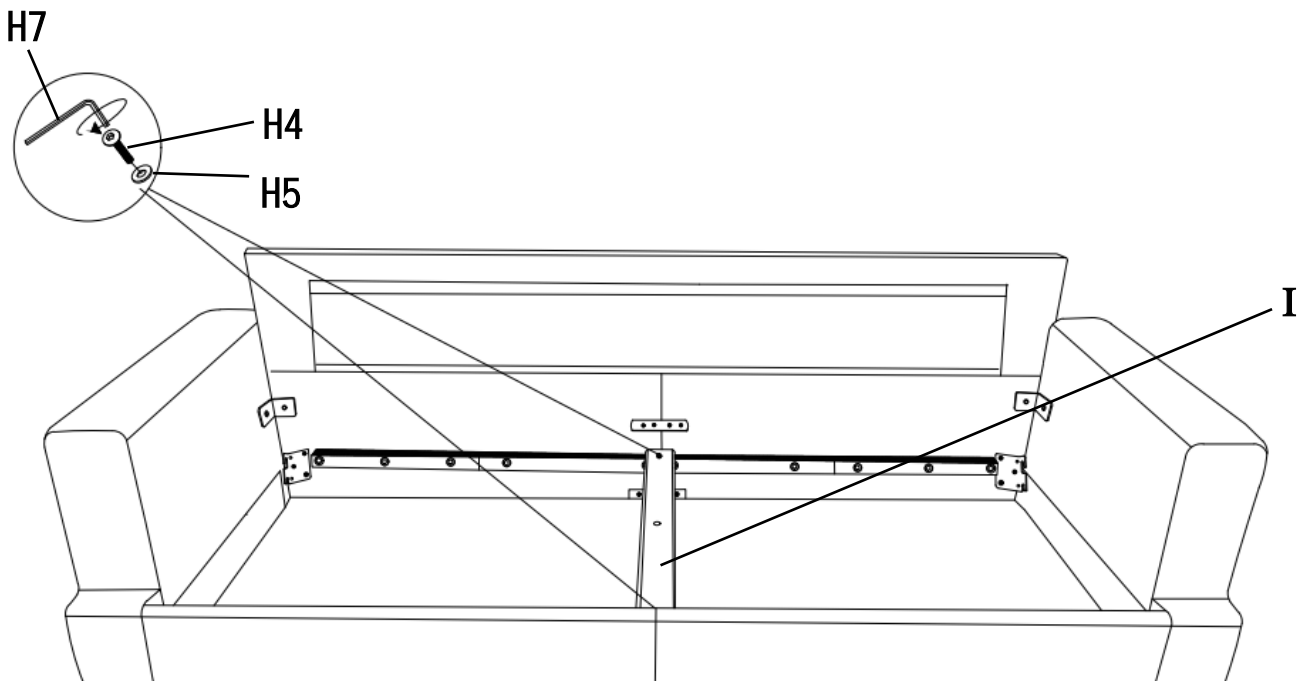


# 5 Sofa Assembly – Installation Steps

**Step 1 0** Use the wrench (H7) to secure the angle iron (T\*2) to the armrest and backrest by threading the screw (H2) through the washer H5. Then, attach the iron crossbar (K) to the front panel and the backrest. Note: Tighten the screw to 100%.



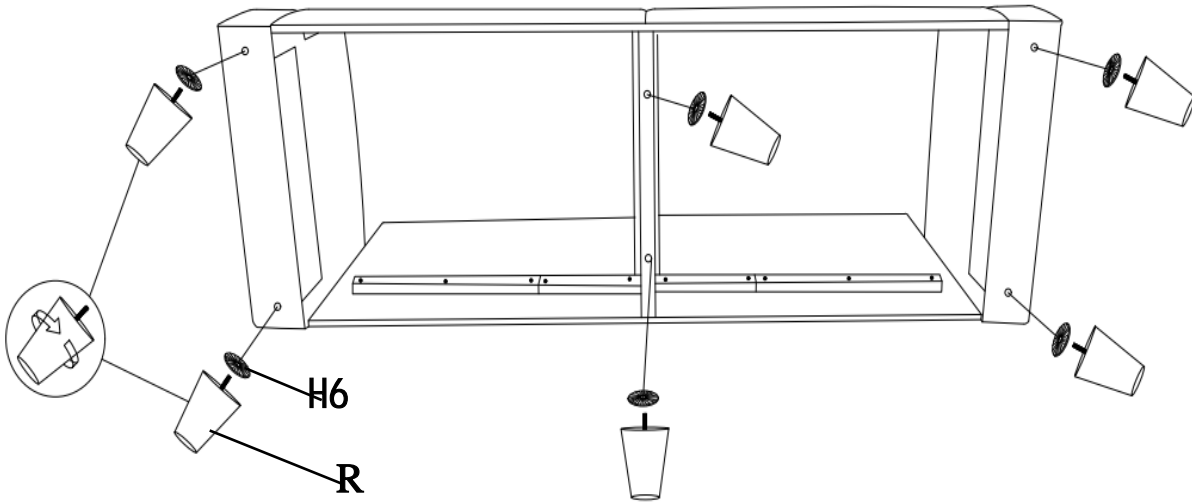
**Step 1 1** Use the wrench (H7) to secure the rib strips (I) onto the middle crossbar on the front panel and backrest, threading the screw (H4) through the washer (H5). Note: Tighten the screw to 100%.



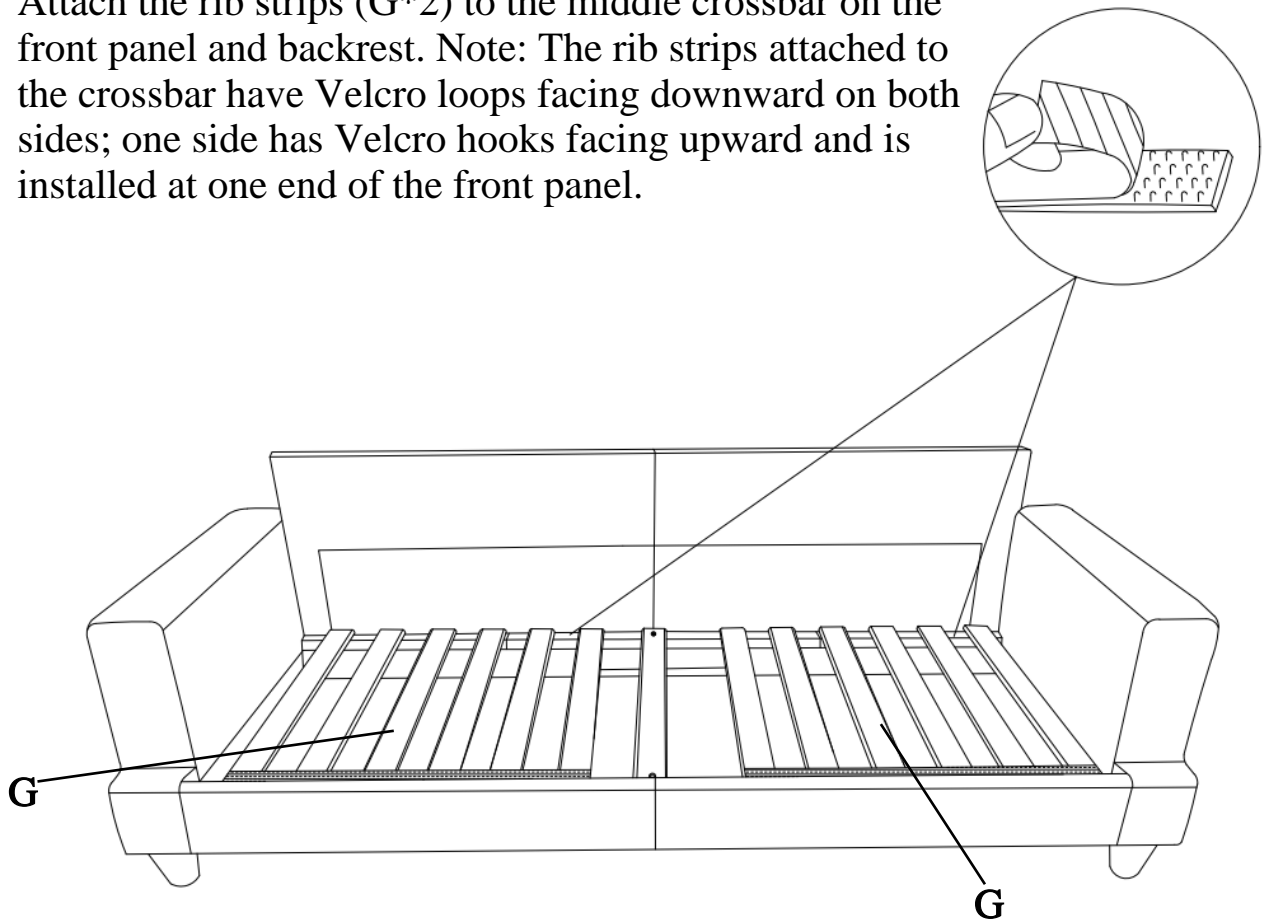
# 6

## RECLINER ASSEMBLY - BODY SETUP

**Step 1 2** Attach the plastic feet (R\*6) with plastic washers (H6\*6) by screwing them into the four corner mounting holes and the two middle mounting holes.

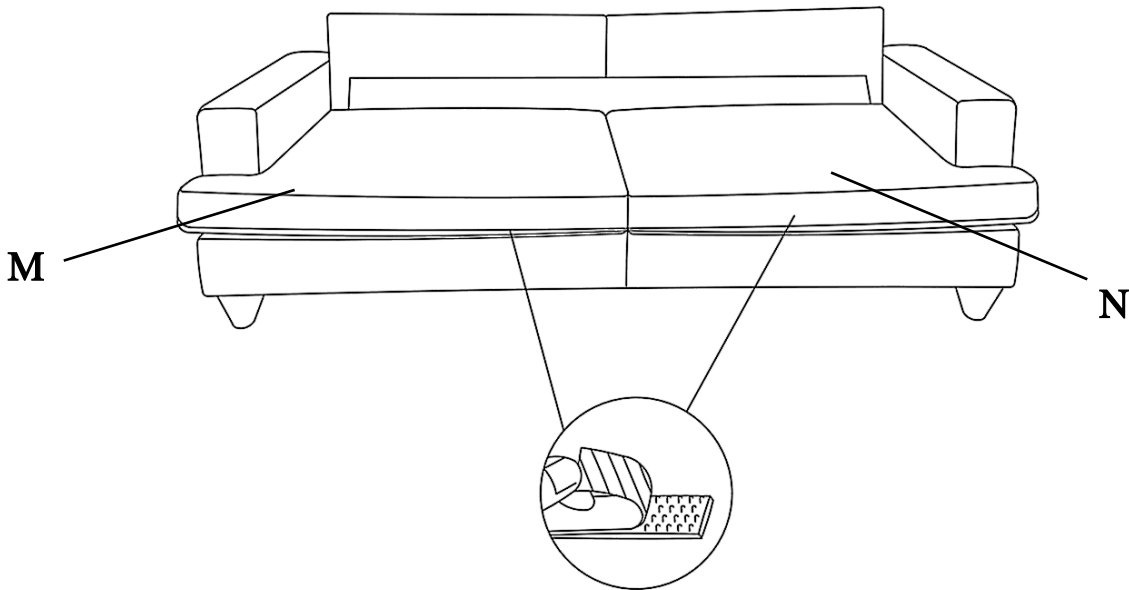


**Step 1 3** Attach the rib strips (G\*2) to the middle crossbar on the front panel and backrest. Note: The rib strips attached to the crossbar have Velcro loops facing downward on both sides; one side has Velcro hooks facing upward and is installed at one end of the front panel.

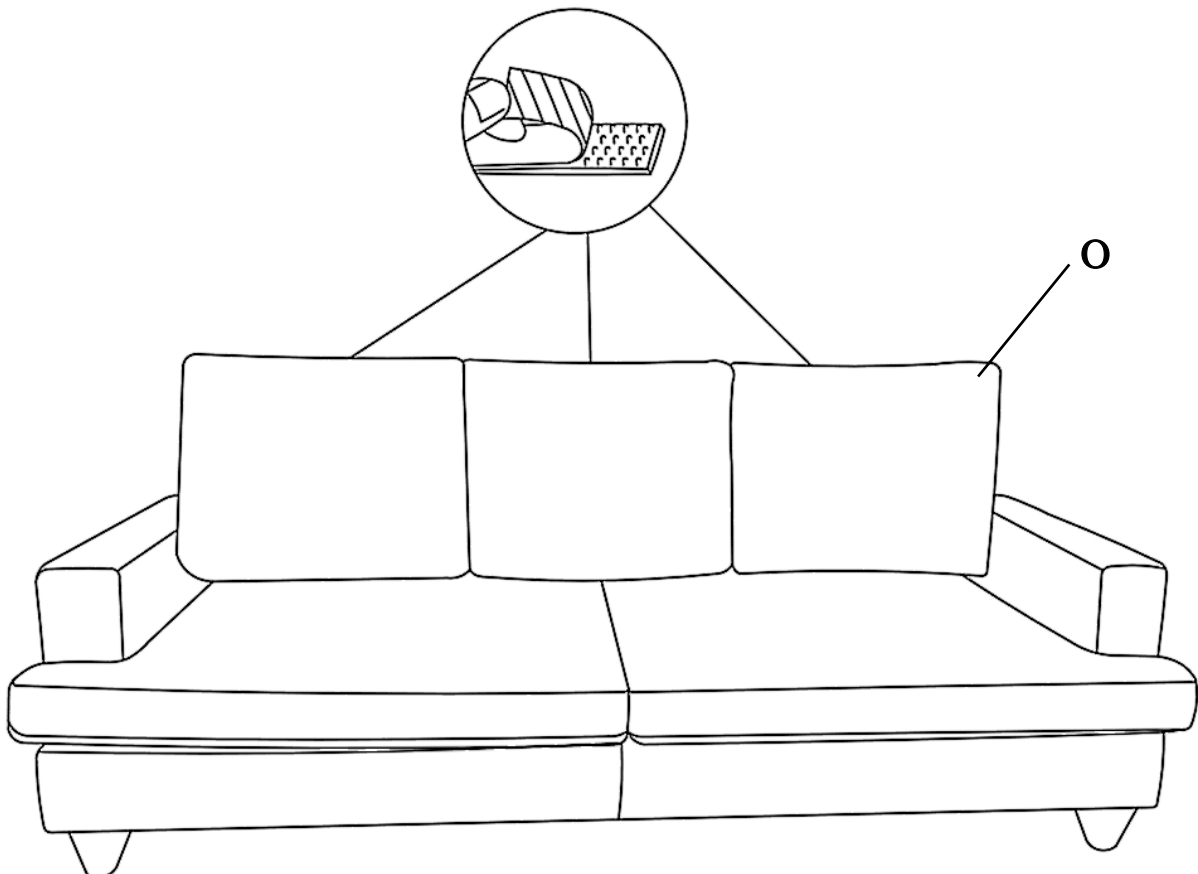


# 7 Sofa Assembly – Installation Steps

- Step 14** Place the left and right cushion bags (M&N) on top of the pork ribs, then fasten them with Velcro.



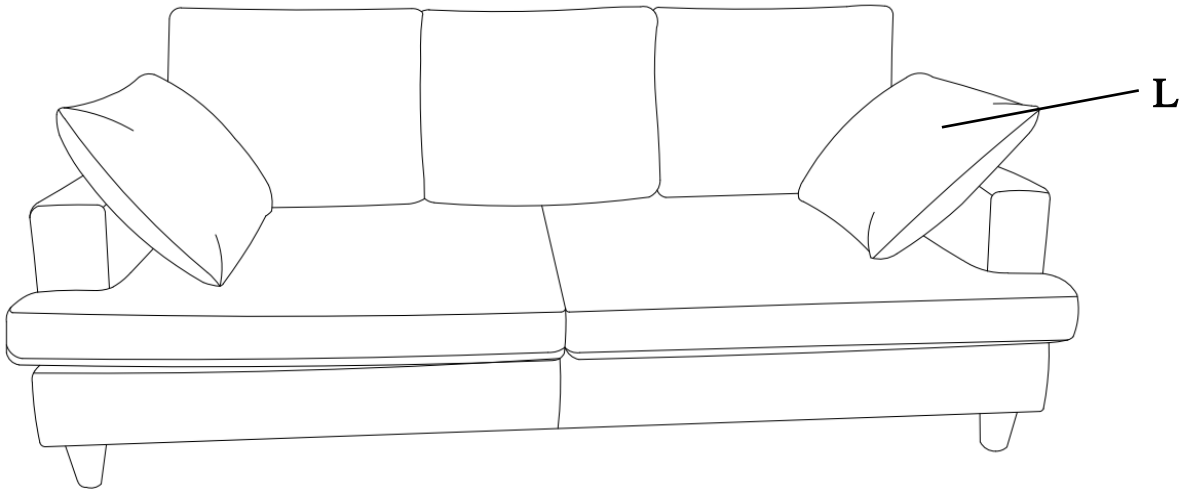
- Step 15** The backrest (O\*3) is placed on top of the cushion bag, and the Velcro on its back side sticks to the Velcro on the backrest.



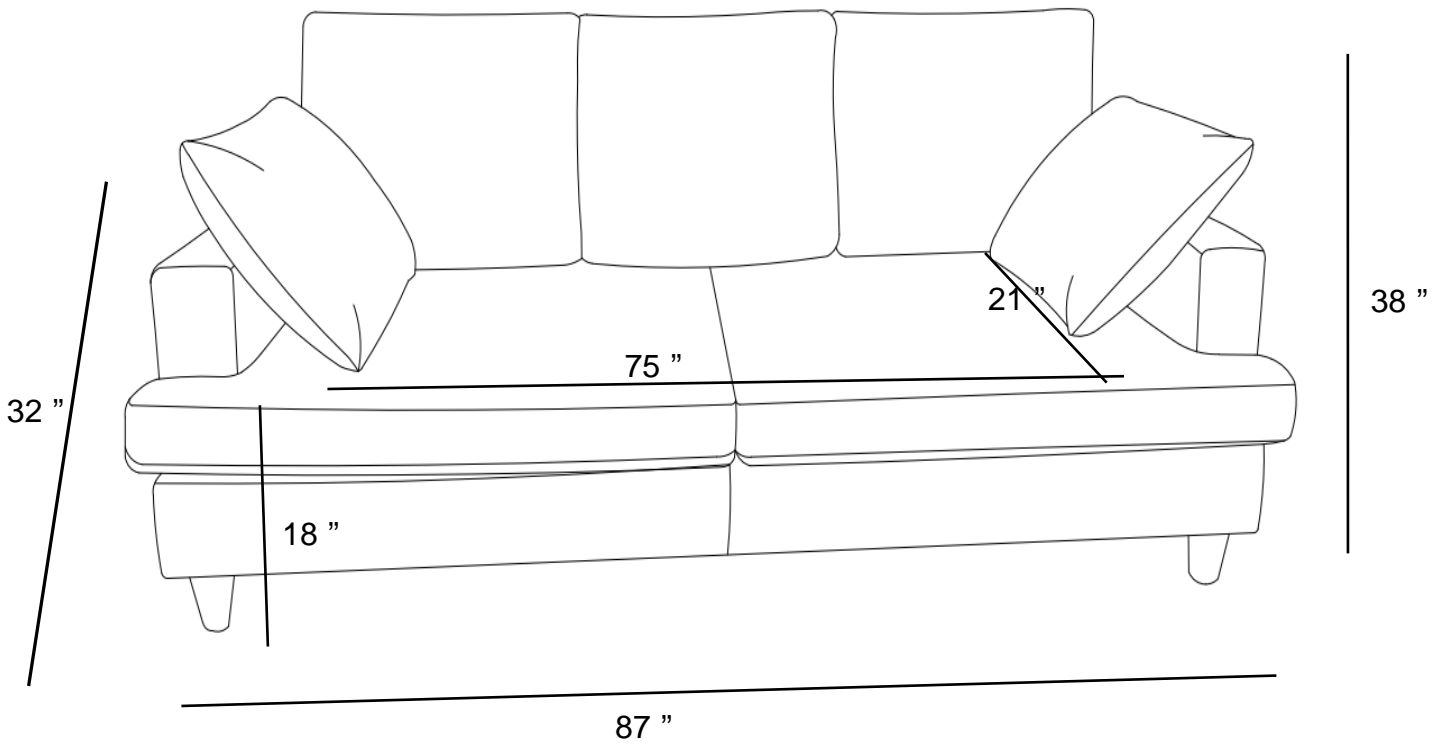
# 8

## Sofa assembly—assembly completed

**Step 1 6** Place the armrest bag (L\*2)



Product dimensions



**Double fixe**

## ⚠️ WARNINGS

1. Please check if the components of the chair are all included and can be used normally.
2. Assemble all components according to the instruction correctly before you connect the chair to the power.
3. Please DO NOT sit on the armrests or footrest to eliminate the risk of tipping over.
4. If the chair is damaged or doesn't match the website description, please send clear pictures of the product and label of the carton to our service team for further help.
5. If the recliner doesn't work, you may try the following measures for self-checking firstly:
  - a) check if all the cables are connected;
  - b) check if the light of transformer is on.

If the chair still doesn't work, please feed the information back to our customer service in time and we will help you solve the matter as soon as possible.

6. If you have any questions about our products (we will respond to your inquiry within 24 hours)

