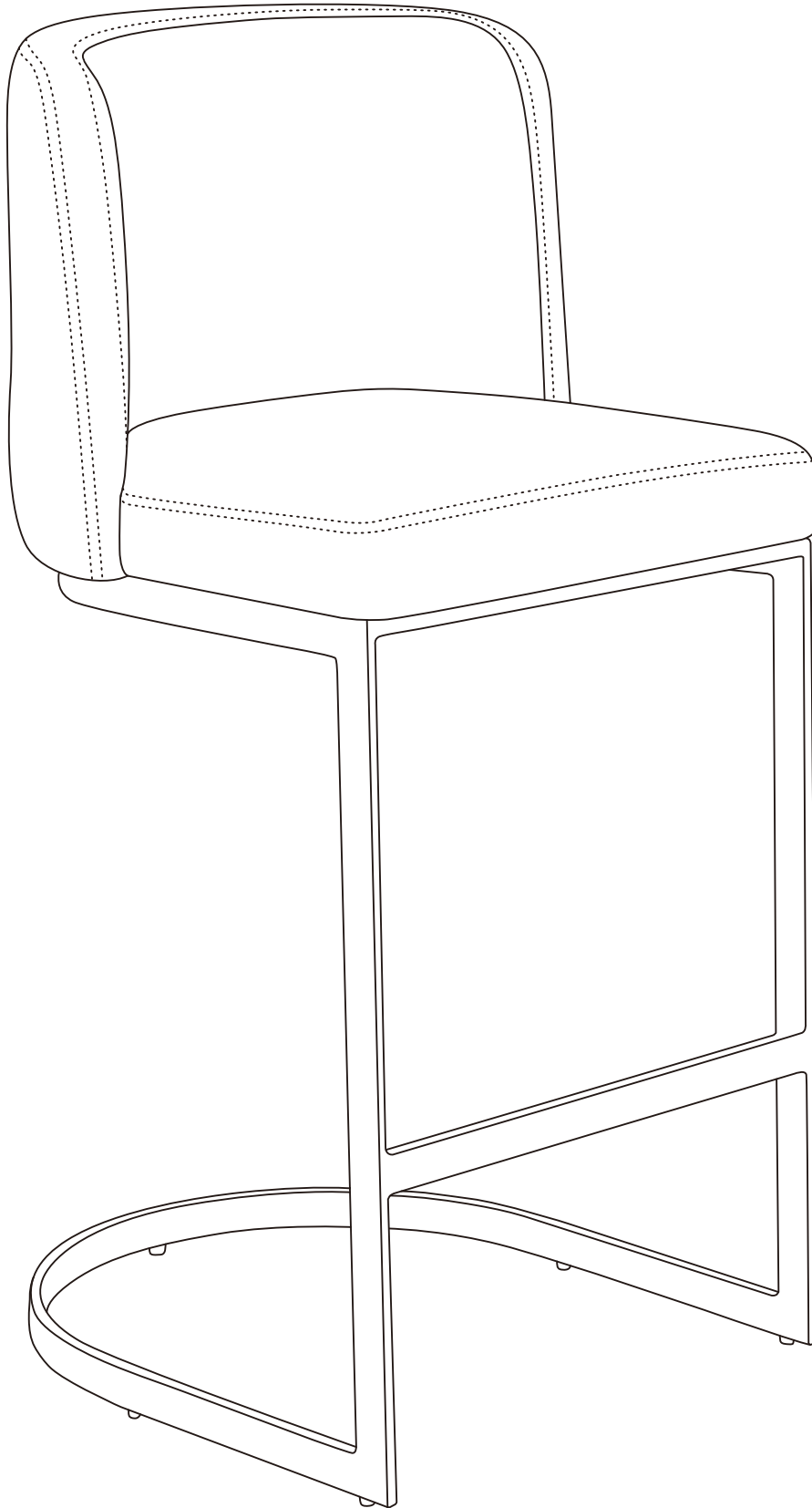


Assembly Instruction

Counter & Bar Height Stool



Thank you for choosing our product.

We are committed to delivering exceptional customer service to ensure your satisfaction.

Parts Confirmation:

- Upon unpacking, verify that all parts listed in the manual are present.
- If any parts are missing or incorrect, please notify us immediately. We will promptly arrange replacements, or other solutions to ensure the issue is resolved.

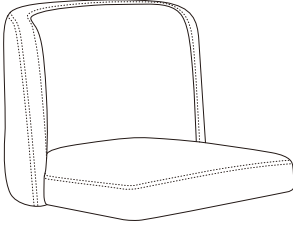
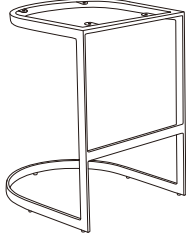
Assembly Guidance:

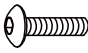
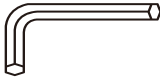
- Carefully review the instruction manual before assembly.
- The manual has detailed steps, but it might not cover all situations. If you need help or have questions, contact us and we'll respond quickly.

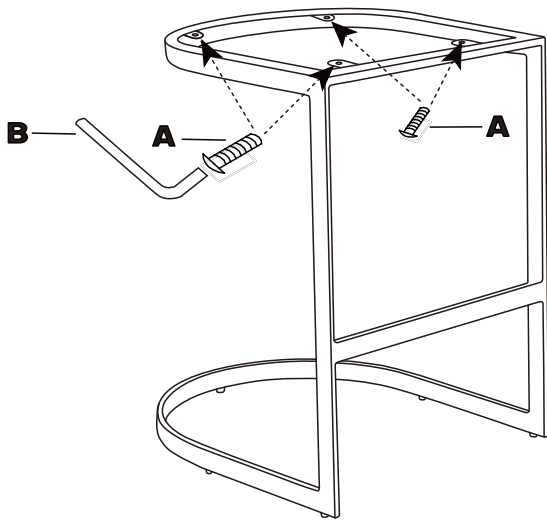
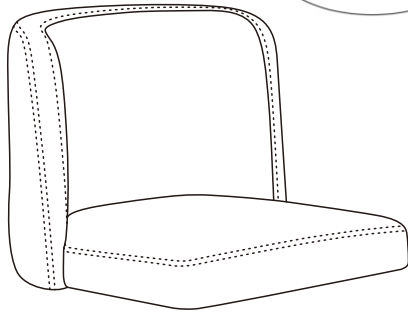
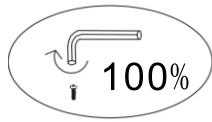
Shipping Note

- If you purchased multiple packs, kindly note that the items in your order might come in separate packages. We appreciate your patience during delivery.

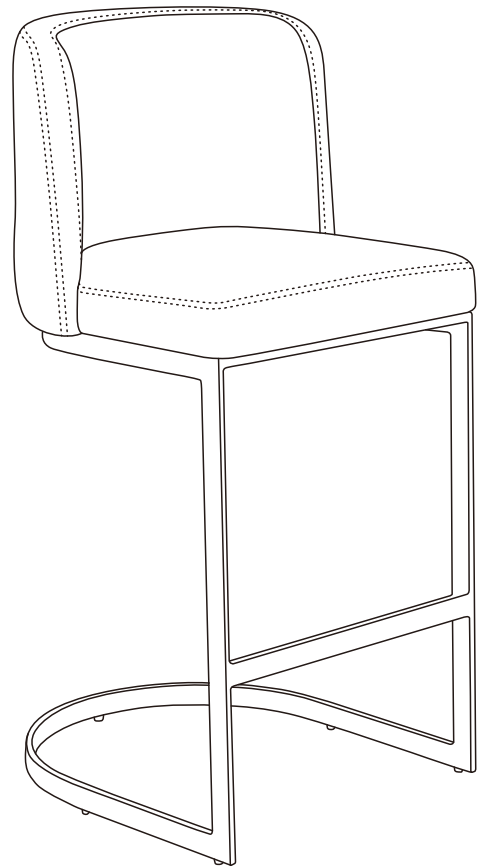
Parts List

Number	Name	Part	Qty
1	Seat		X1PC
2	Metal frame		X1PC

Number	Hardware	Part	Qty
A	M6x25mm		X4+1EXT
B	Wrench		X1PC



Assembly complete



Safety Guidelines

- Periodically inspect and tighten bolts to prevent loosening during use.
- Ensure all hardware remains securely fastened before using.
- Do not allow children to climb or jump on the stool.

Care Instructions

- Avoid placing hot items, direct sunlight, or harsh chemicals on the furniture.
- Wipe dust with a soft, clean, lint-free cloth.
- Use adjustable foot levelers on each leg to stabilize the chair on uneven floors.
- Note: Indoor Use Only: Do not place the furniture outdoors or in damp environments.

Thank you for your purchase