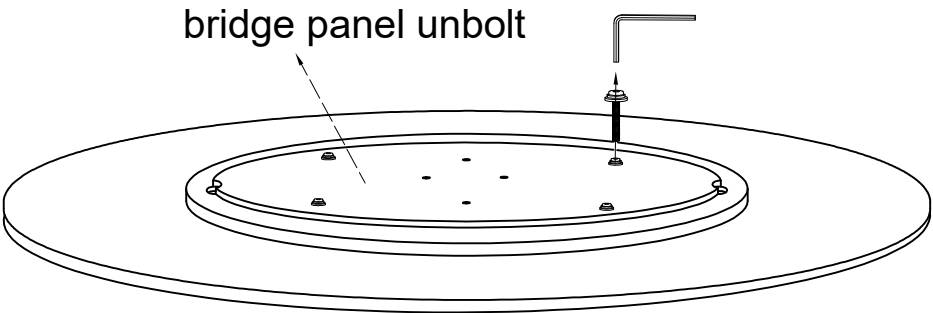
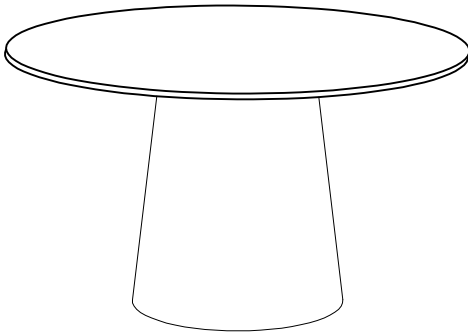
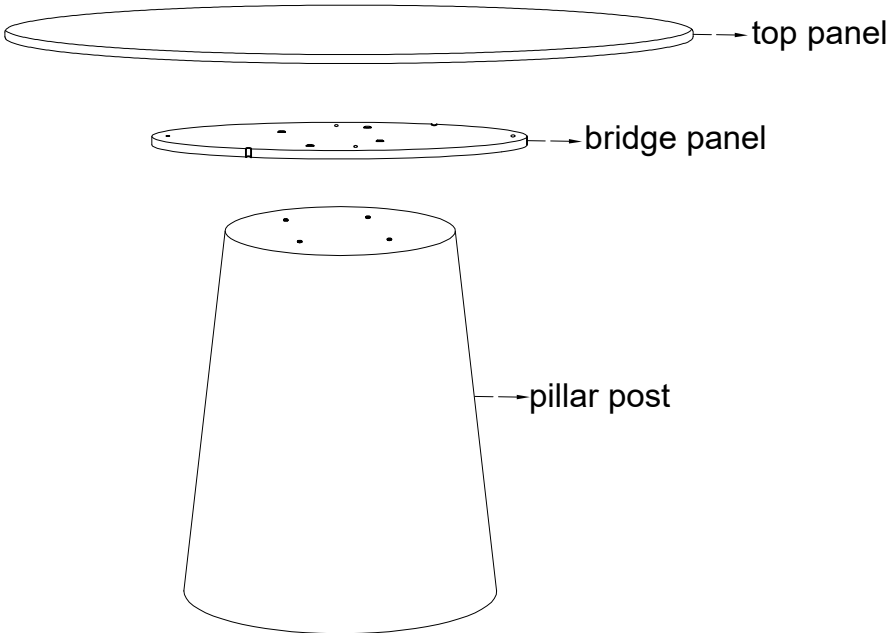




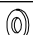

ASSEMBLY INSTRUCTIONS

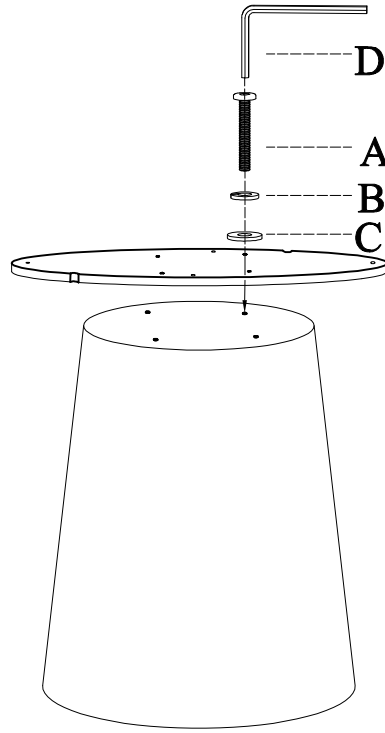


Step 1



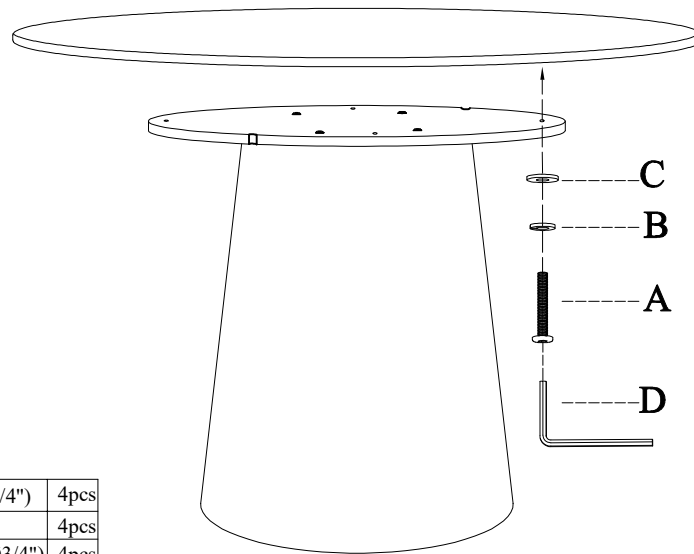
HARDWARE LIST

A		Long Bolt (Ø5/16"*1-1/4")	8pcs
B		Lock Washer (Ø5/16")	8pcs
C		Flat Washer (Ø5/16"*Ø3/4")	8pcs
D		Allen Wrench (5mm)	1pc



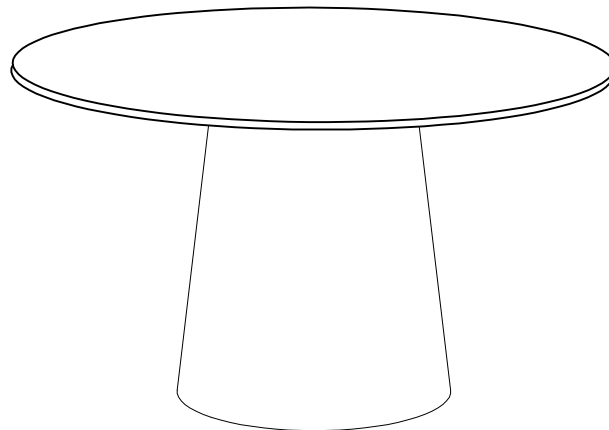
Step 2

A		Long Bolt (Ø5/6"*1-1/4")	4pcs
B		Lock Washer (Ø5/16")	4pcs
C		Flat Washer (Ø5/16"*Ø3/4")	4pcs
D		Allen Wrench (4mm)	1pc



Step 3

A		Long Bolt (Ø5/16"*1-1/4")	4pcs
B		Lock Washer (Ø5/16")	4pcs
C		Flat Washer (Ø5/16"*Ø3/4")	4pcs
D		Allen Wrench (5mm)	1pc



OK