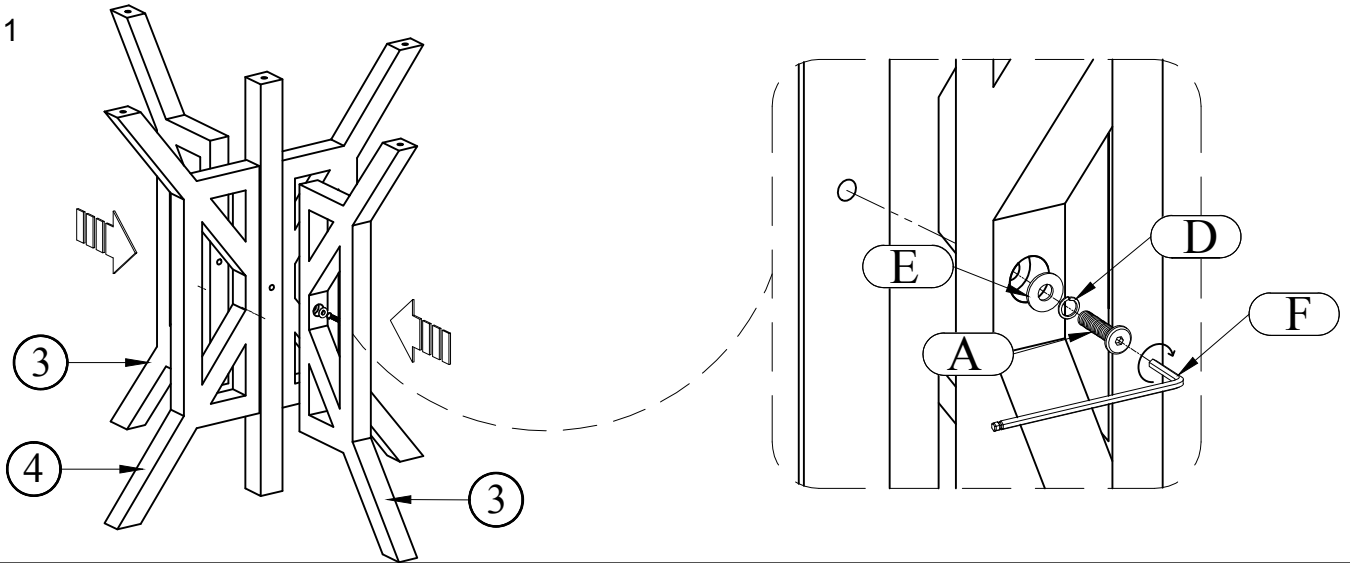


Assembly Instructions

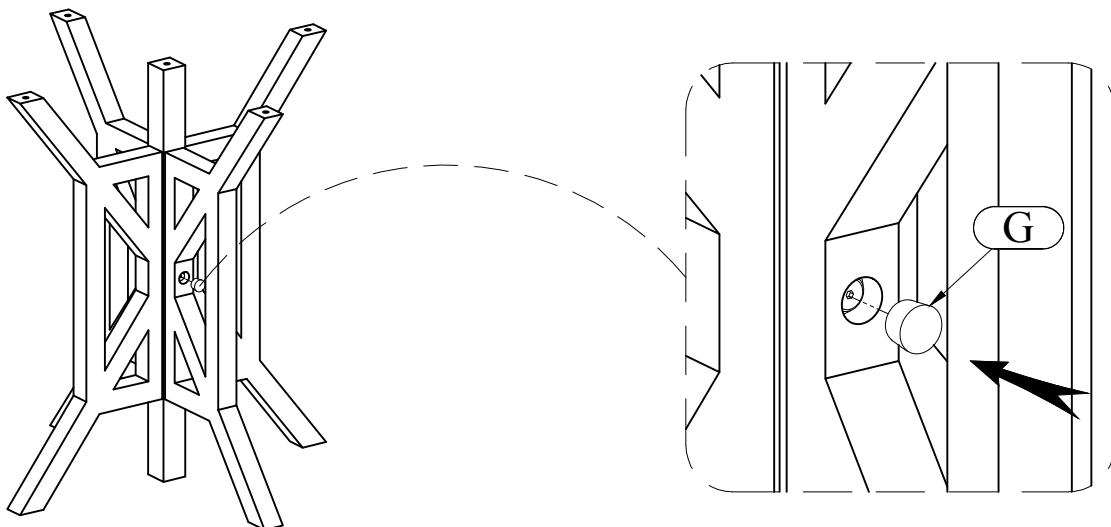
Thank you for purchasing this quality product. Be sure to check all packing material carefully for small parts that may have come loose inside the carton during shipment. (Note: Loosely thread all screws/bolts first. Once the item is assembled then completely tighten.)

PARTS LIST:				HARDWARE LIST:				
No.	Description	Sketch	Quality	No.	Sketch	Description	Size	Quality
1	Table Top		1 Pc	A		Allen Head Bolt	Ø8x35mm	7 Pcs
2	Connector		1 Pc	B		Allen Head Bolt	Ø8x50mm	1Pc
3	Leg Frames		2 Pcs	C		Allen Head Bolt	Ø8x85mm	4 Pcs
4	Leg Frames		1 Pc	D		Lock Washer	Ø9x13mm	16 Pcs
5	Leg Base		2 Pcs	E		Flat Washer	Ø8xØ20mm	16 Pcs
				F		Allen Key	4x110mm	1 Pc
				G		Cover cap	Ø23x15mm	2 Pcs

STEP 1

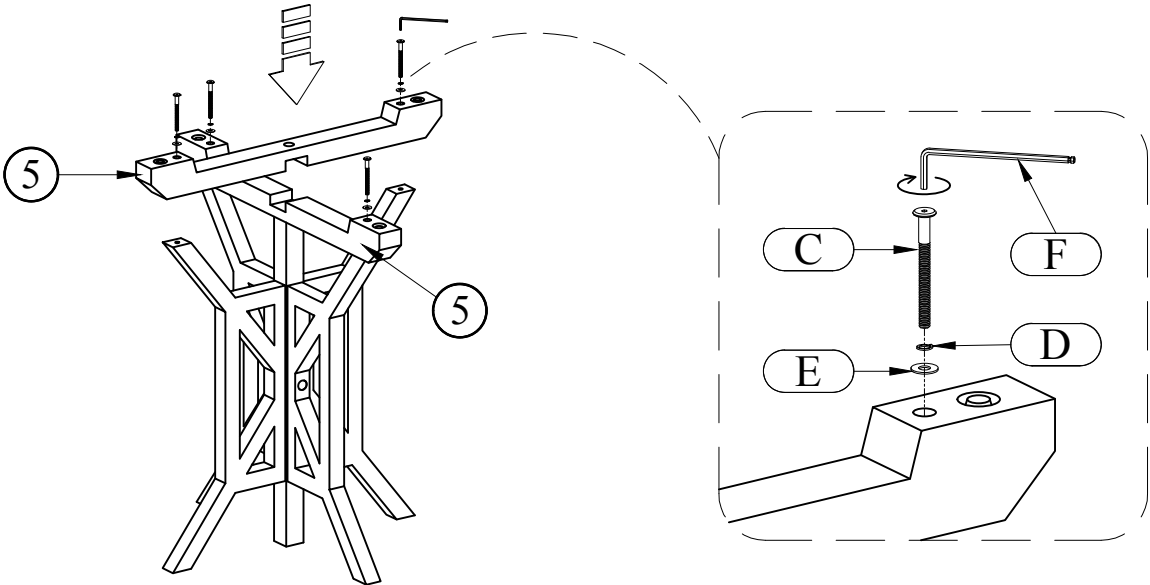


STEP 2

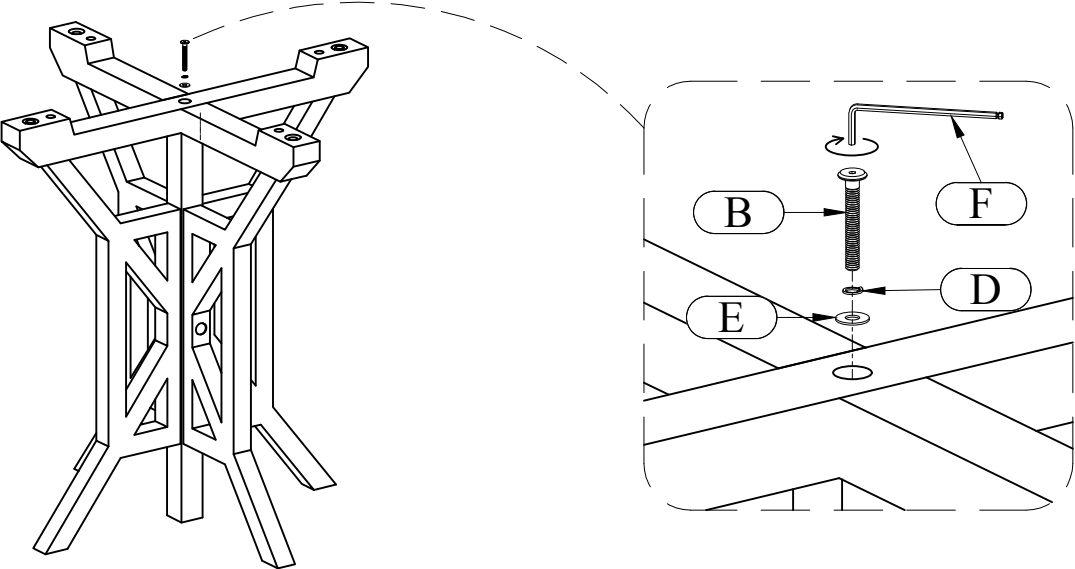


Assembly Instructions

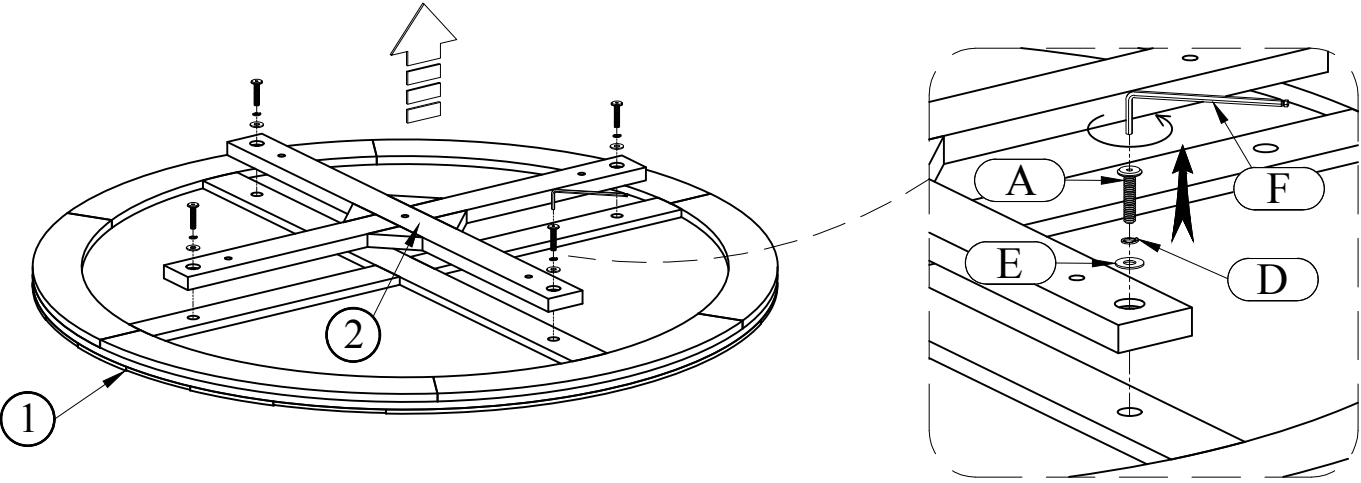
STEP 3



STEP 4

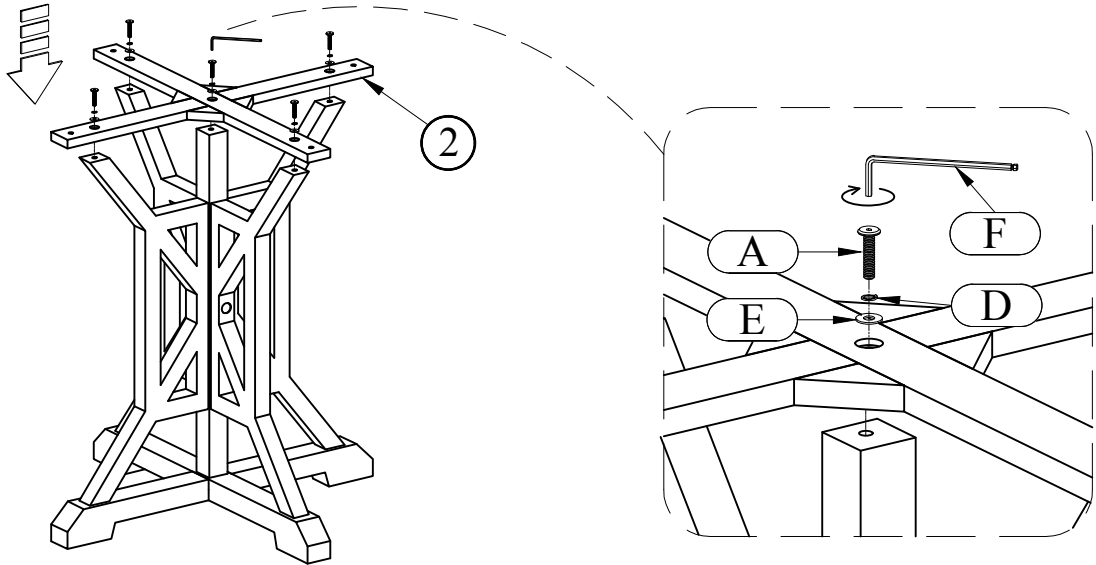


STEP 5

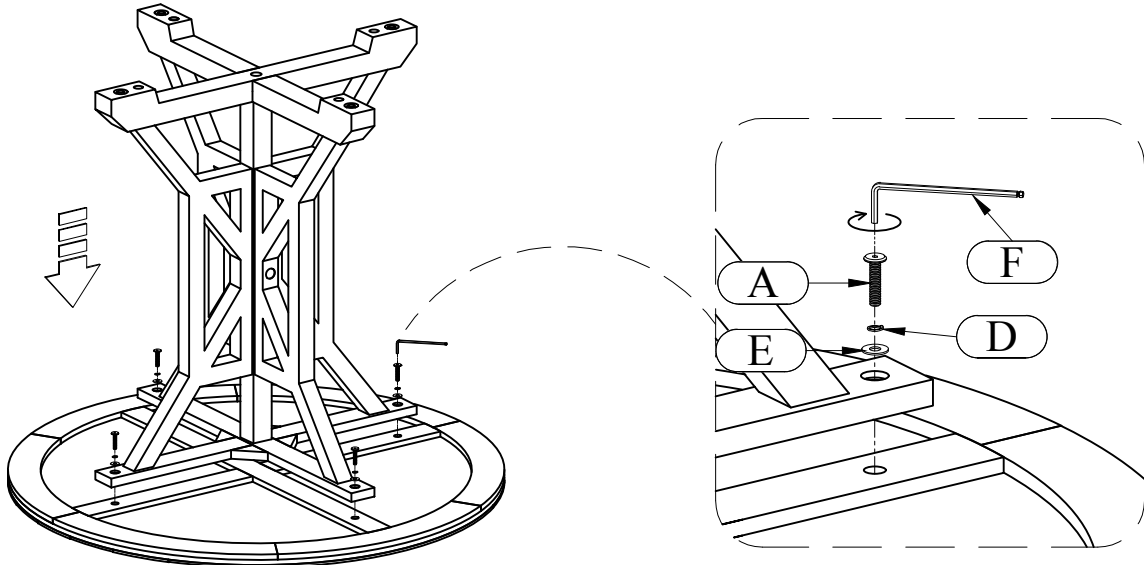


Assembly Instructions

STEP 6



STEP 7



STEP 8

