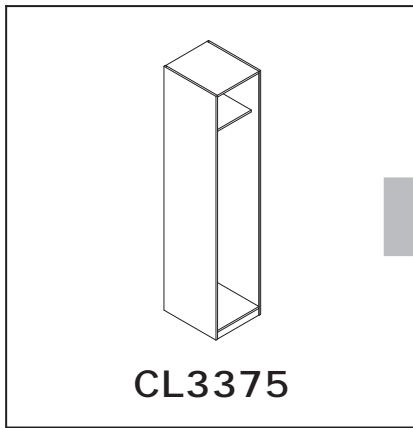
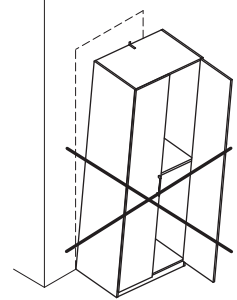
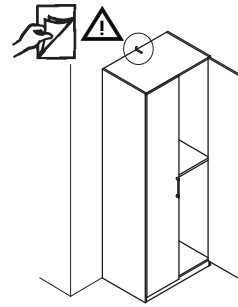
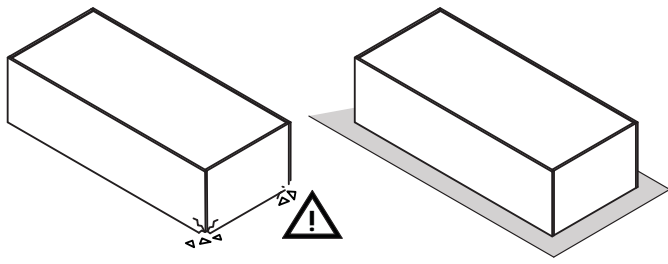
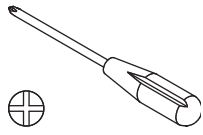
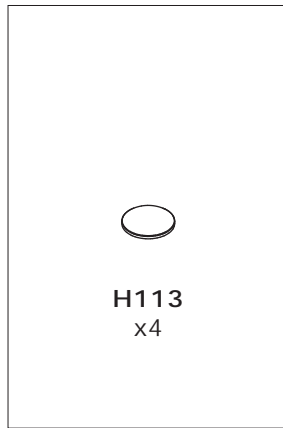


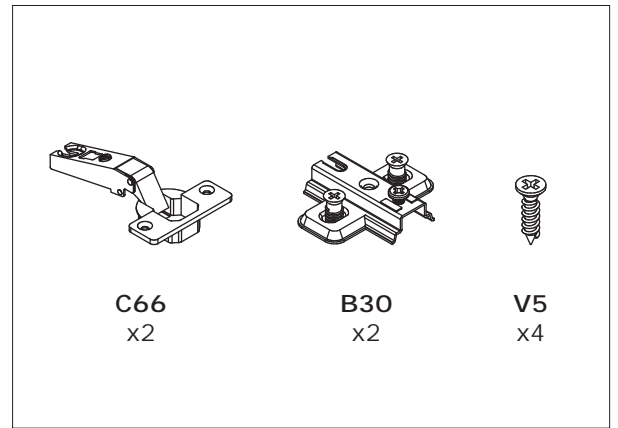
0,5h



CL3375



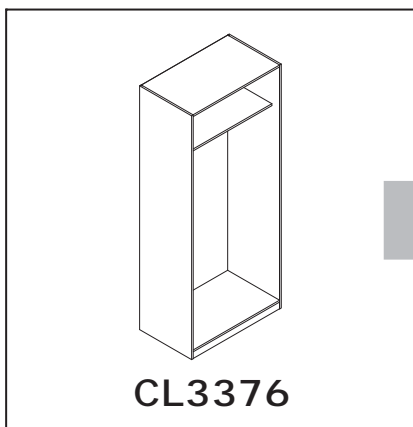
H113
x4



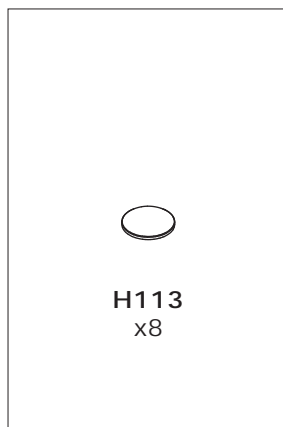
C66
x2

B30
x2

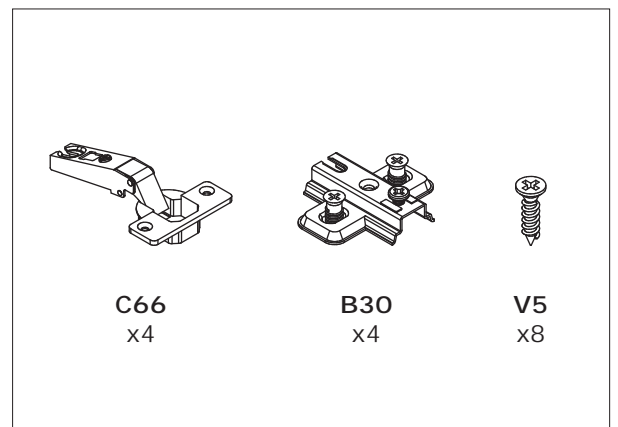
V5
x4



CL3376



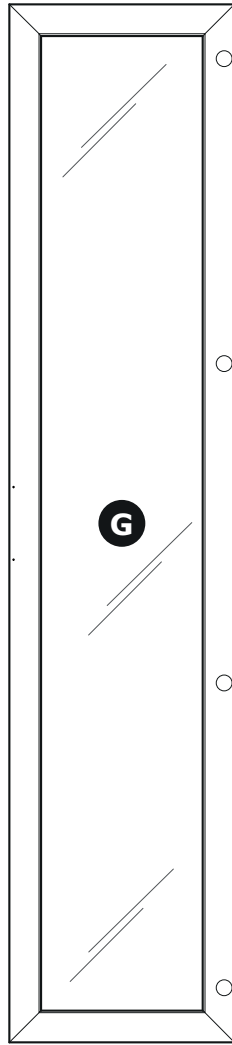
H113
x8



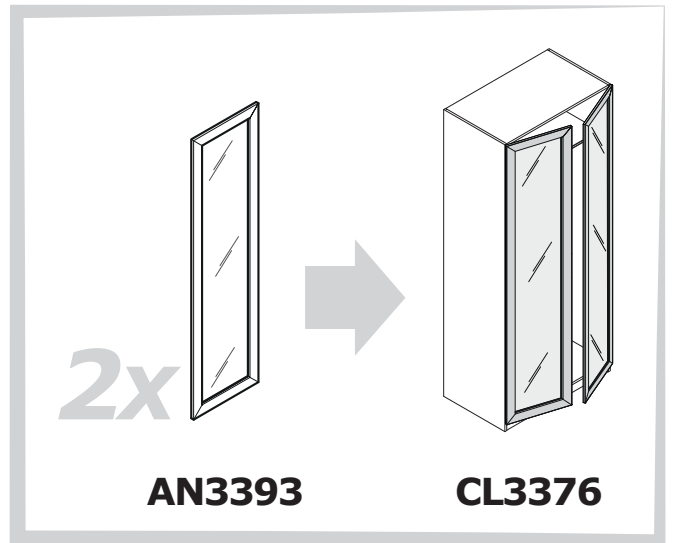
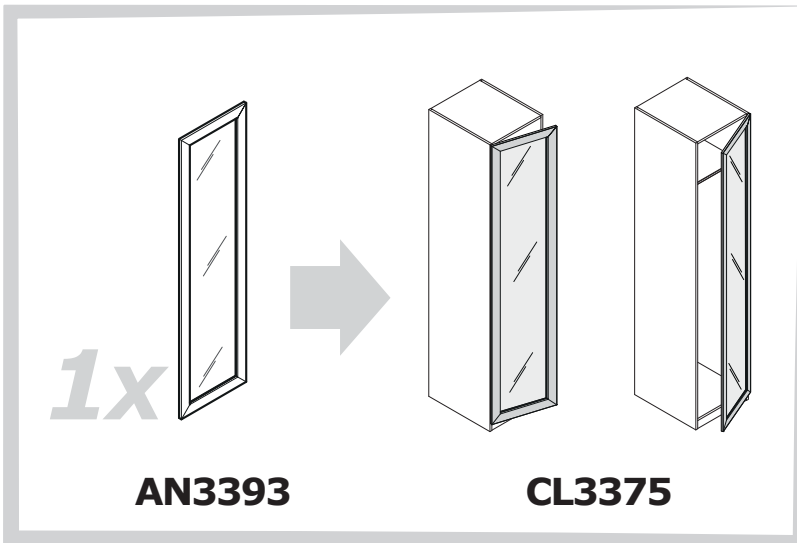
C66
x4

B30
x4

V5
x8



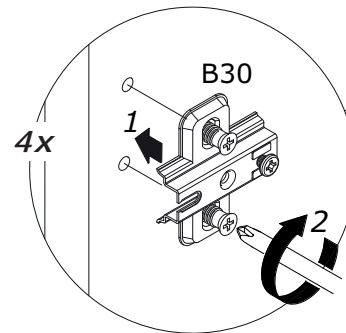
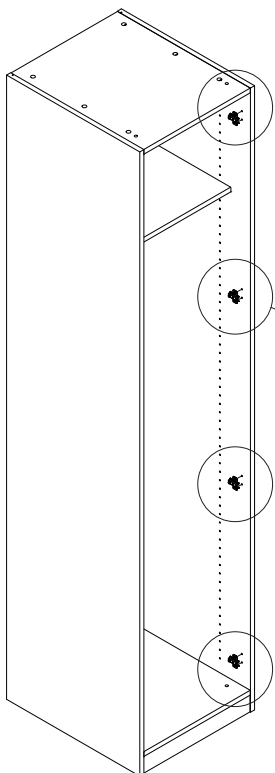
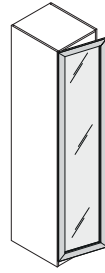
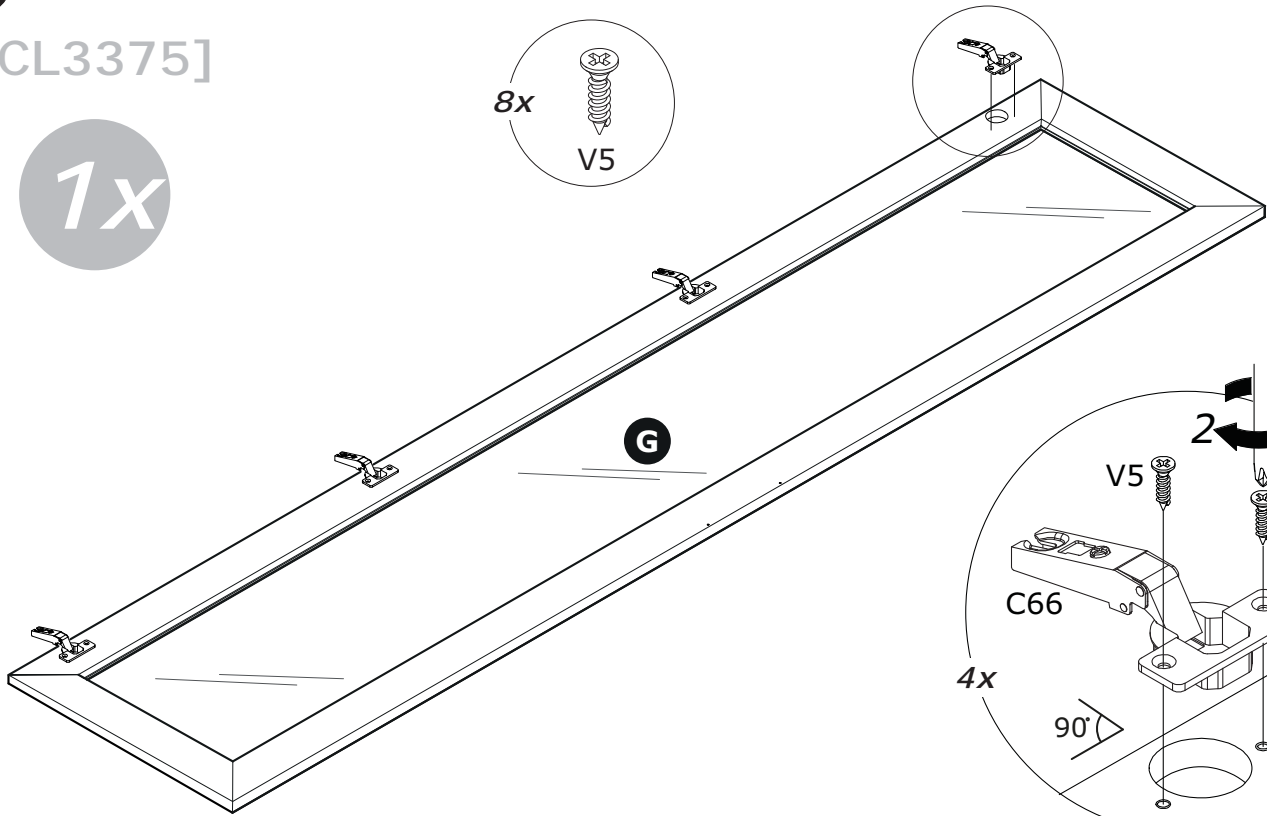
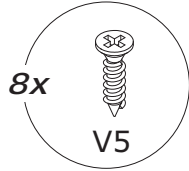
VT0163
2288x496x18mm



1

[CL3375]

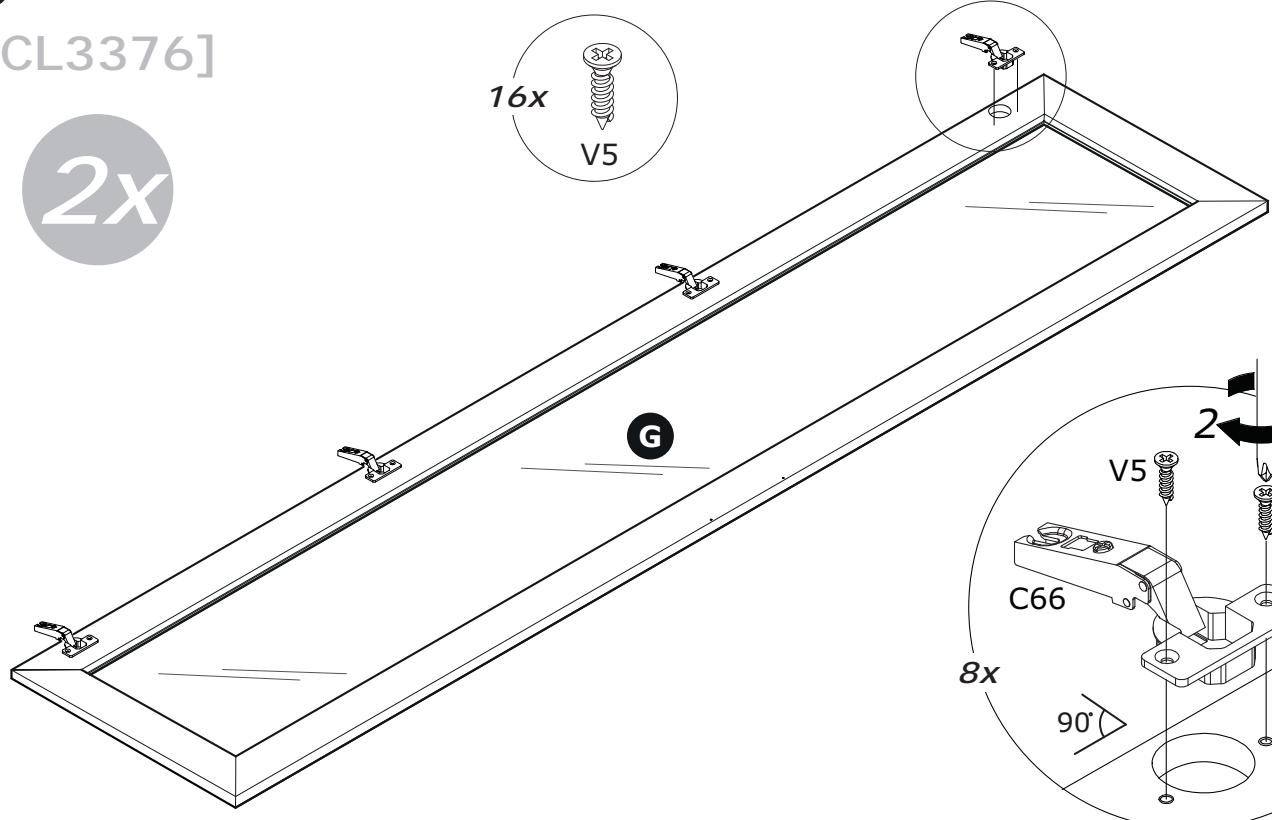
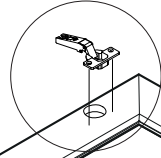
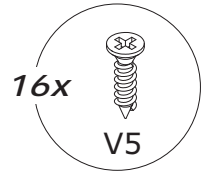
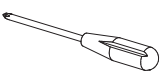
1x



2

[CL3376]

2x



G

