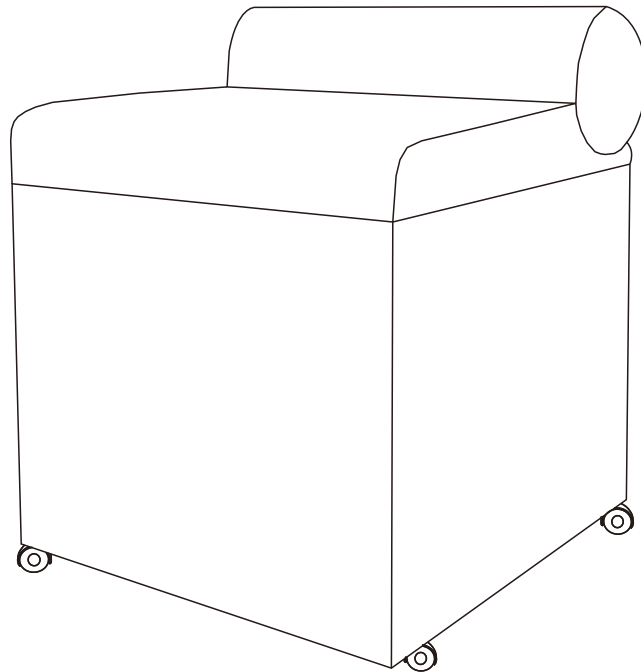


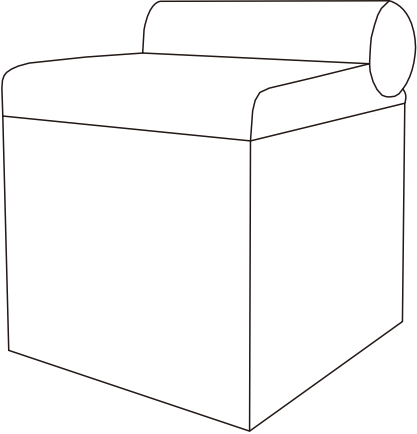
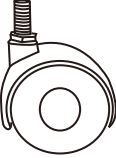

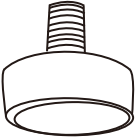
Product Instruction

boucle vanity stool



***PLEASE READ CAREFULLY AND FOLLOW THE INSTRUCTIONS MANUAL
TO ASSEMBLE YOUR FURNITURE.
PLEASE KEEP THE INSTRUCTIONS MANUAL FOR FUTURE REFERENCE.***

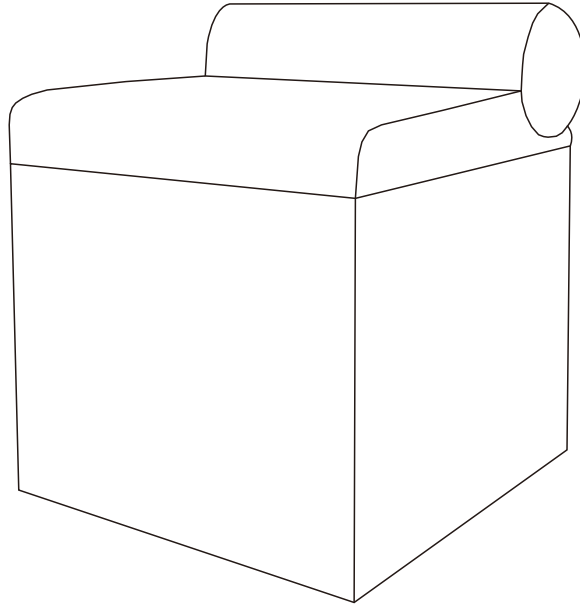
Parts & Hardware List

A		1 PC
B		4 PCS
C		1 PC
D		4 PCS

Assembly Method 1

Step 1 _____

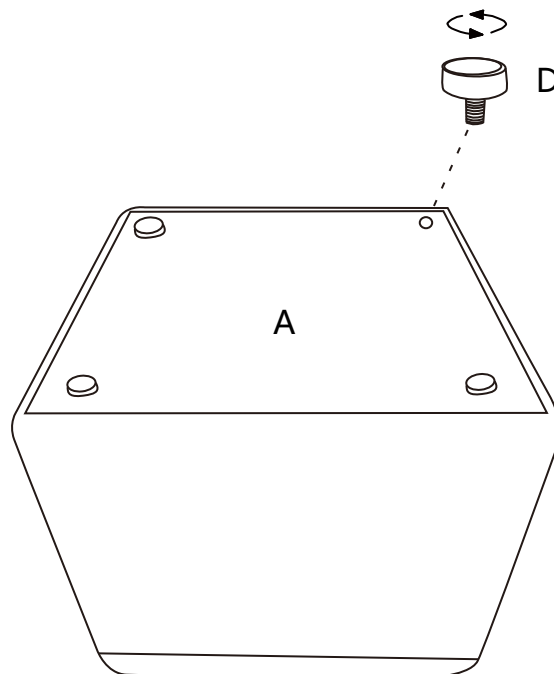
Dear customer, the stool is ready for immediate use upon delivery.



Step 2 _____

Parts & Hardware List


If the mobility function is required, remove the foot studs and install the casters. Instructions for assembling the casters can be found on Page 2 of the manual.





Assembly Method 2

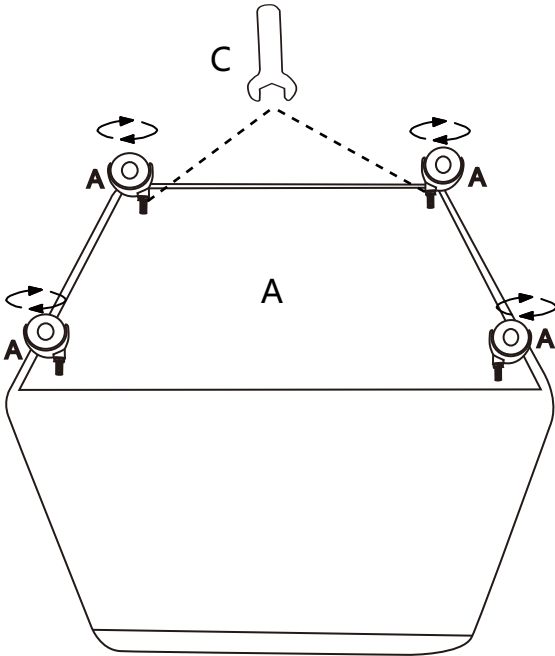
Step 1 _____

Parts & Hardware List

A		x1
---	---	----

B		x4
---	---	----

C		x1
---	---	----



Step 2 _____

