
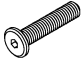
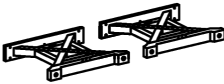

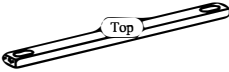

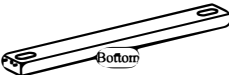

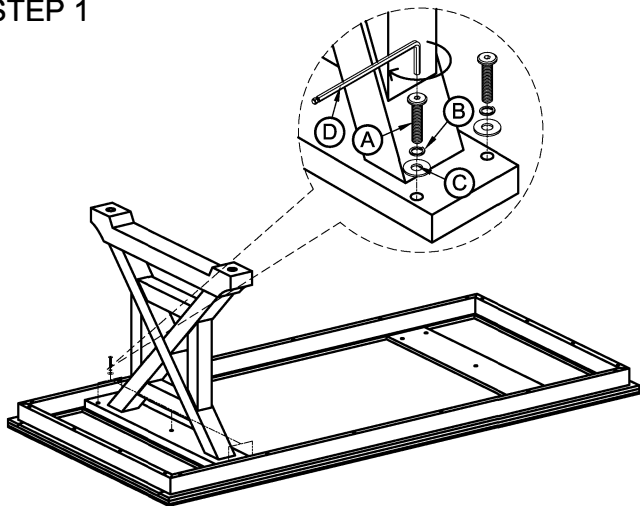


Assembly Instructions

Thank you for purchasing this quality product. Be sure to check all packing material carefully for small parts that may have come loose inside the carton during shipment. (Note: Loosely thread all screws/bolts first. Once the item is assembled then completely tighten.)

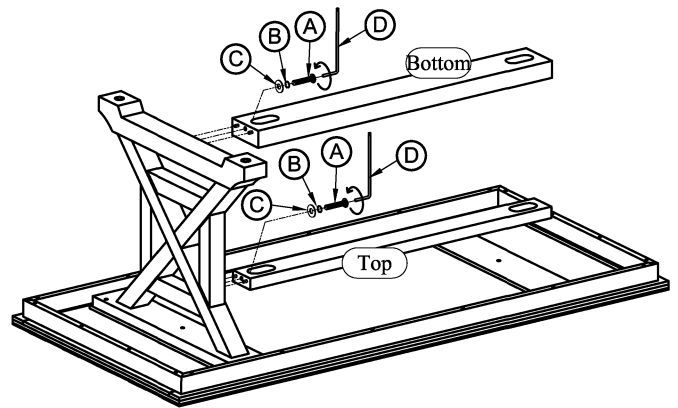
PARTS LIST:				HARDWARE LIST:				
No.	Description	Sketch	Quality	No.	Sketch	Description	Size	Quality
1	Table Top		1 Pc	A		Allen Head Bolt	Ø8x50mm	14 Pcs
2	Leg Frames		2 Pcs	B		Lock Washer	Ø9xØ13mm	14 Pcs
3	Top Stretcher		1 Pc	C		Flat Washer	Ø8xØ20mm	14 Pcs
4	Bottom Stretcher		1 Pc	D		Allen Key	4x110mm	1 Pc

STEP 1

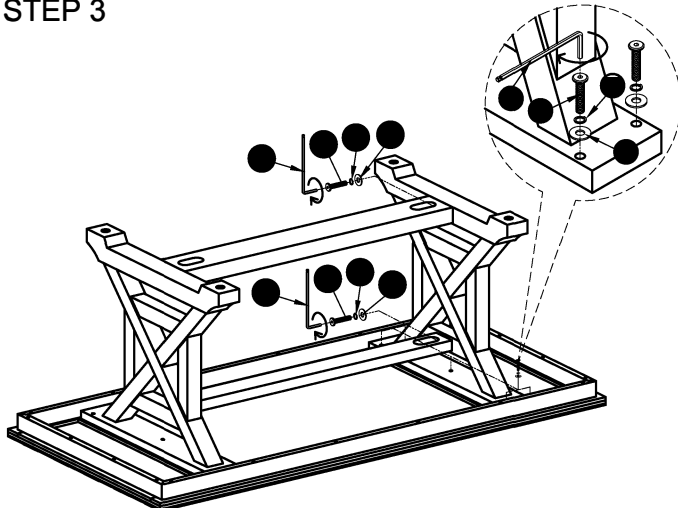


Do not fully tighten the bolts until the complete table has been assembled. Once the complete table is assembled, use the provided Allen Key to fully tighten all the bolts.

STEP 2



STEP 3



STEP 4

