

**Windsor**  
SERIES OF WOOD CHAIRS

**PREVENT FALLS**  
**STAY AT HOME LONGER!**



## Windsor Swivel Chair

Seat: **Swivels-Locks**

- Solid Wood Frame - Armed
- Carriage Bolts Create a Durable Seat-to-Frame Connection
- Armrest for Getting In and Out of Chair
- 3-Position Locking Swivel Assembly
- Hand Release Lever (*Right Side*)
- **Wood Frame: 2-year Warranty**
- **Components: 10-year Warranty**

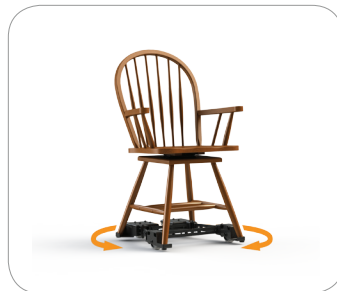
### Benefits

- Prevent Falls
- Easy and Safe to Operate
- Eliminates Trip Zone Hazards (*see back page*)

### Additional Models Available



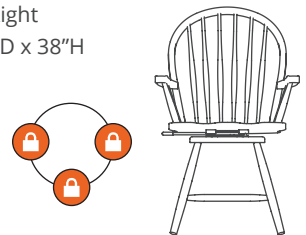
Swivel Chair w/ Caddie CCA/5



Armed Chair w/ Caddie CCA

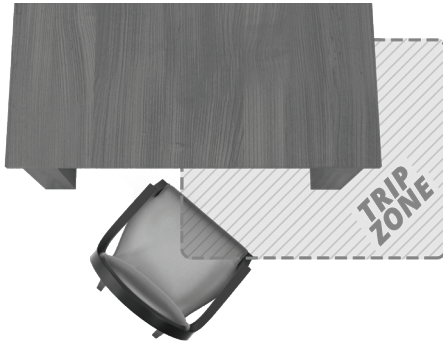
### Specifications

**Locking:** Left, Center, and Right  
**Dimensions:** 23 $\frac{3}{4}$ "W x 21 $\frac{3}{4}$ "D x 38"H  
**Seat Pan:** 19" W x 18"D  
**Seat Height:** 19 $\frac{1}{4}$ "  
**Arm Height:** 26 $\frac{3}{4}$ "  
**Arm ID:** 19"  
**Weight:** 20 Lbs.  
**Weight Capacity:** 250 Lbs.



## Why Chairs FAIL....

- ⊗ Chairs are not **designed to move**
- ⊗ Chairs require **friction** to remain upright / stable
- ⊗ Cushioned flooring can cause chair legs to get '**stuck**'
- ⊗ Castered chairs **roll / move prematurely** making them unsafe



## The Trip Zone...

The '**Trip Zone**' is the area around the front of table into which a person needing assistance must navigate. Trips and falls occur often in this area as both the senior and caregiver are required to:

- (1) shuffle sideways
- (2) step backwards
- (3) lean on the table

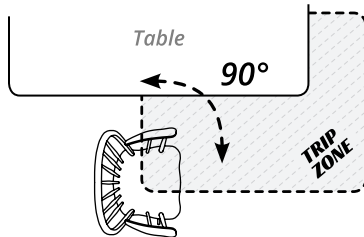
as the senior is helped into the chair.



## Seating Innovations Designed to Navigate the Trip Zone SAFELY...



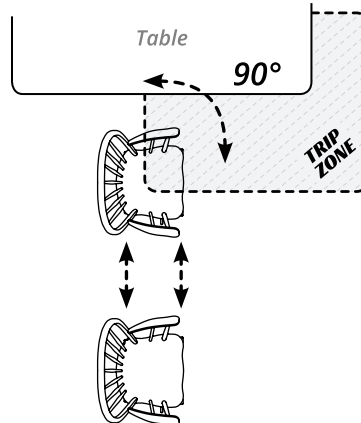
Seat: **Swivels-Locks**



FALL RISK: LOW ▼



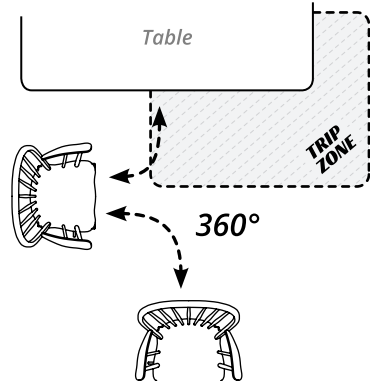
Seat: **Swivels-Locks**  
Chair: **Rolls (Inline)**  
**Brakes for safety**



FALL RISK: LOW ▼



Chair: **Rolls, Turns (360°)**  
**Brakes for safety**



FALL RISK: LOW ▼



Watch product videos at [www.comfortek.com/wayfair](http://www.comfortek.com/wayfair)