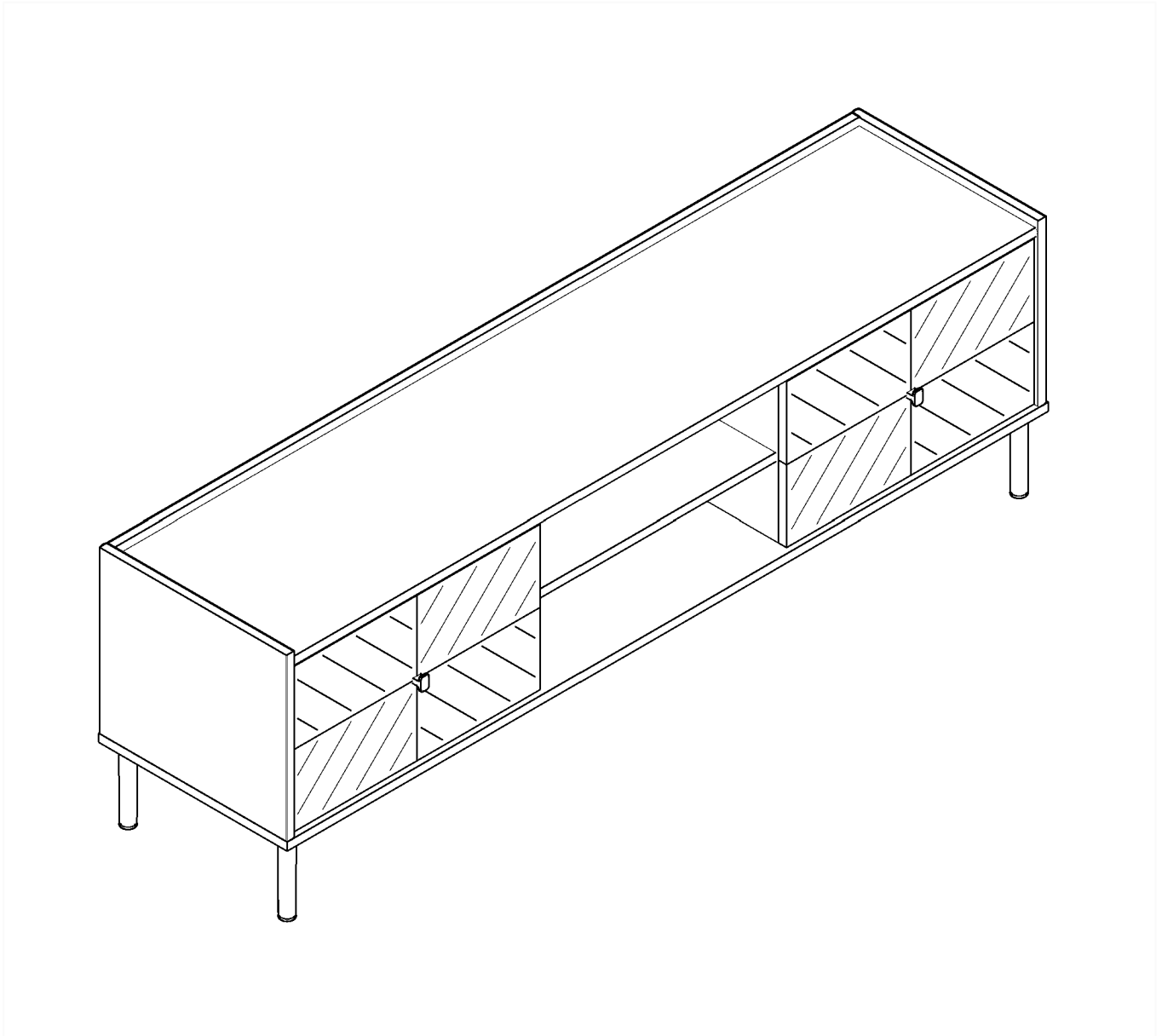


ASSEMBLY INSTRUCTIONS

Summer Oak 63" Tv Console



60 min. assembly
2 person

* The estimated assembly time may vary depending on the individual.

Hey, there

Now is assembly time!

Deeeeep breathe.... and again....
Tools ready,
Easy peasy!

Estimated



60 min. assembly
2 person

Tools Required

- Allen Wrench(included)
- Phillips screwdriver(not included)
- Hammer(not included)
- Power Drill(not included)
- Drill bit(not included)

important: Cautious when you use power tools

Thank you for purchasing this product. This product has been manufactured with the highest standards of safety and quality.

PLEASE READ ALL INSTRUCTIONS CAREFULLY BEFORE ASSEMBLY.

Unpack all parts from the packaging inside the carton to ensure there are no missing or damaged parts. Lay out all the cabinet parts on a clean, flat, and soft surface to prevent scratches. Refer to the steps provided as assembling guide.

Do not attempt to assemble or use the product if any parts are missing or damaged.

Please save this manual for future reference.

REMINDERS

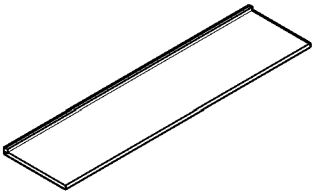
SAFE USAGE IS KEY

Your well-being is our top priority when you use our product. Please prioritize your safety by diligently following the assembly guidelines and inspecting the product carefully both when it arrives and before each use. Please be aware that and we cannot be held liable for any injuries or fatalities that occur due to not adhering to the provided instructions or misuse of the product.

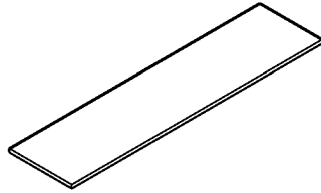
DO NOT MODIFY

Our products undergo rigorous testing to ensure they meet established safety standards before being released for sale. Altering the product in any way can lead to serious safety concerns, for which cannot assume responsibility.

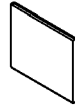
Furniture components:



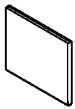
① Top Panel x1



② Bottom Panel x1



③ Side Panel (L) x1



④ Side Panel (R) x1



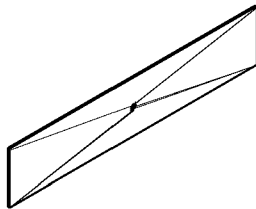
⑤ Center Panel (L) x1



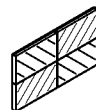
⑥ Center Panel (R) x1



⑦ Shelf Panel x1

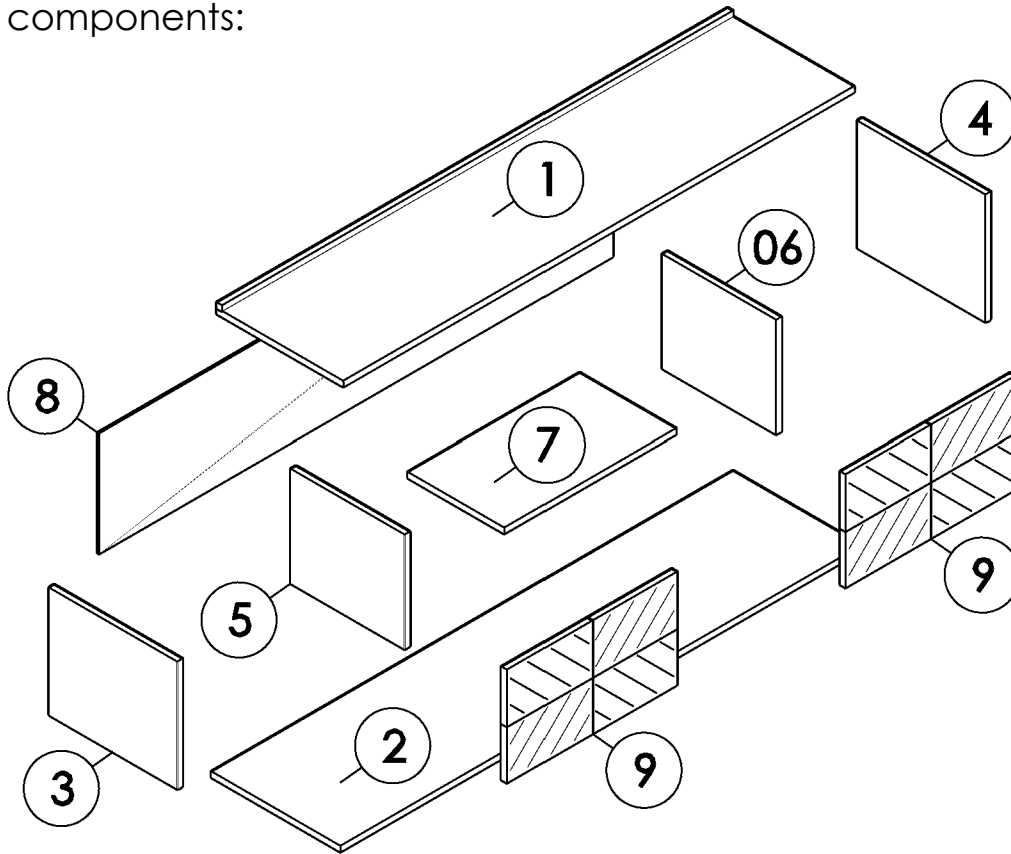


⑧ Back Mdf Board x1

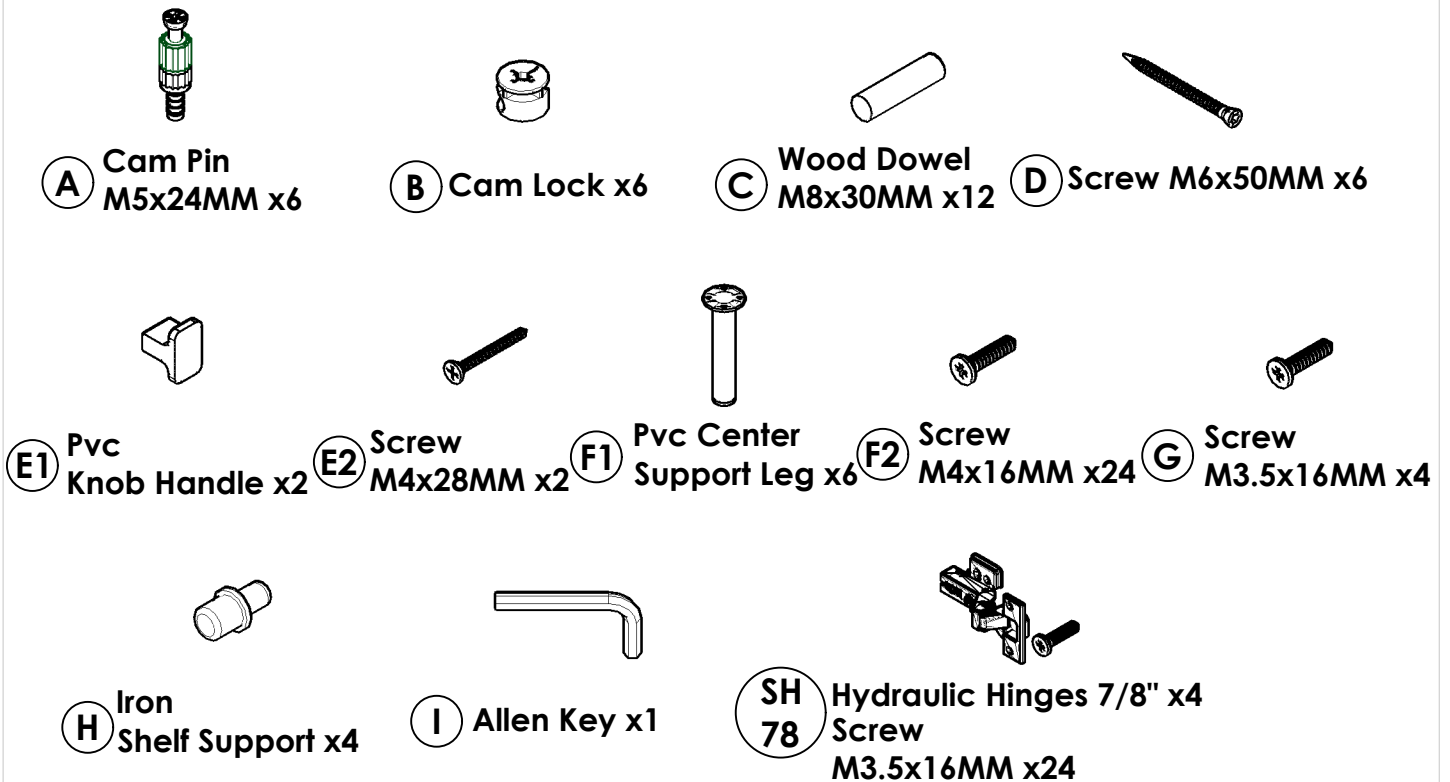


⑨ Door Panel x2




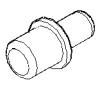
Furniture components:



Provided hardware:

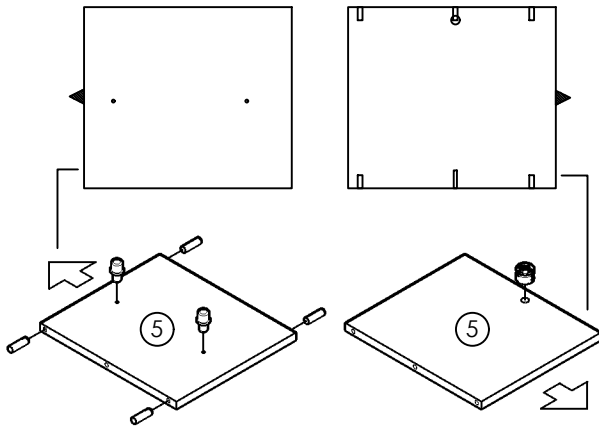


Step 1

(A) x6	(B) x6	(C) x12	(H) x4
			

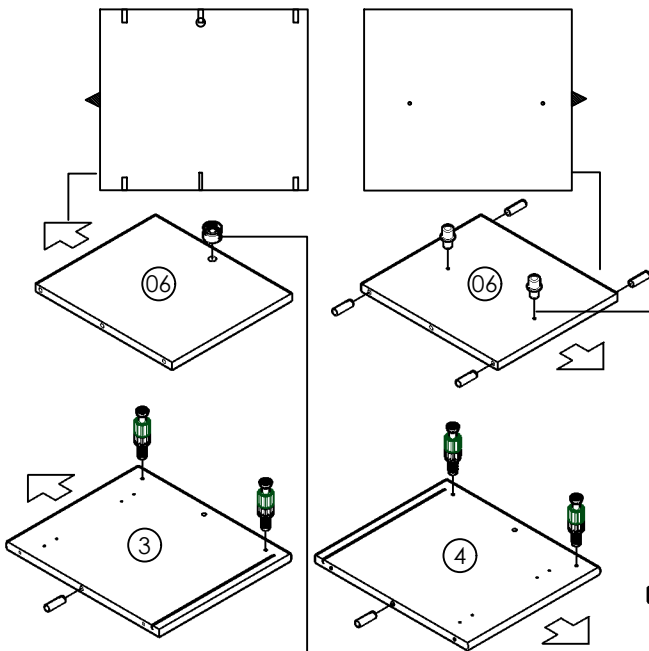
Right View:

Left View:



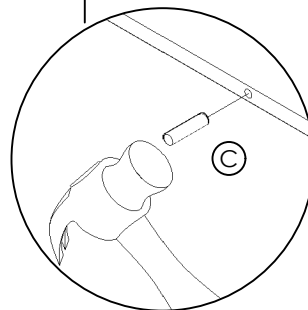
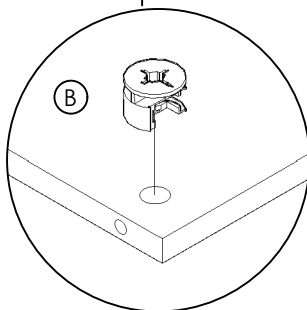
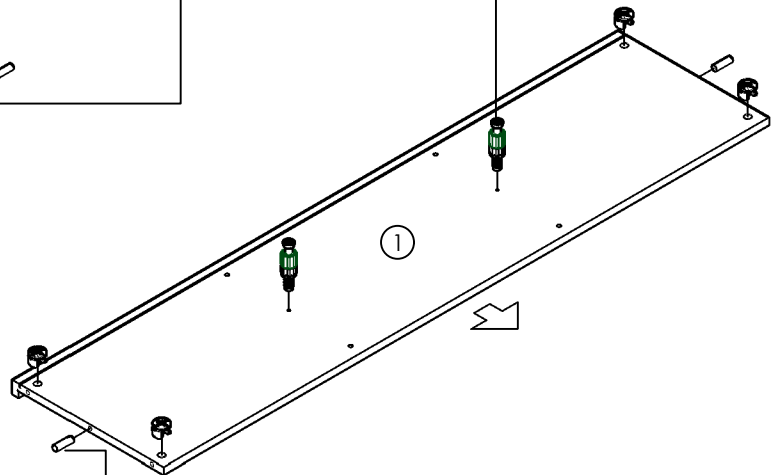
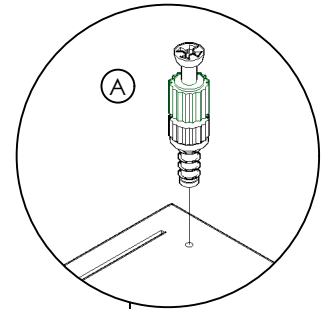
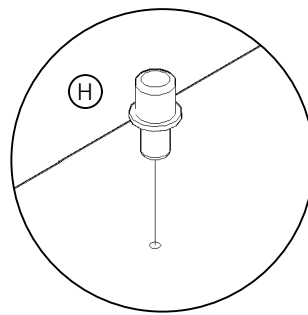
Right View:

Left View:



Installation Cam Pin:

Please insert the screw on panel using a screwdriver.

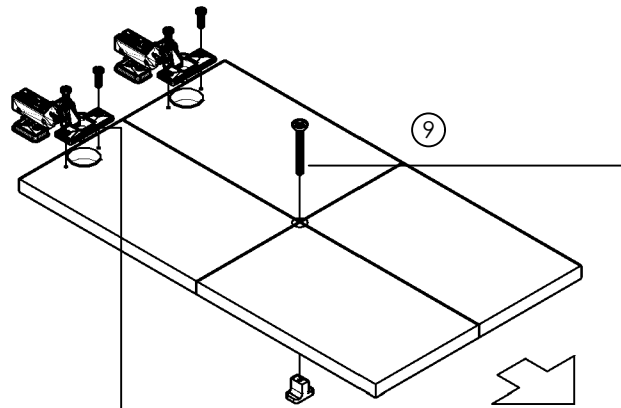


Installation Hardware:

As Shown, Please using the hammer to insert the cam lock(B), wood dowel(C) and iron shelf support (H) into hole of panel.

Step 2

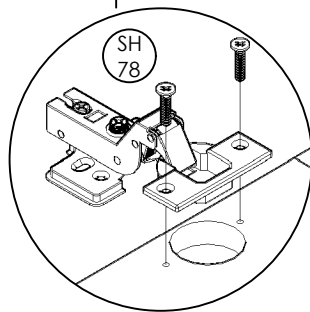
x2 Pcs



(E1) x2	(E2) x2	(SH 78) x4

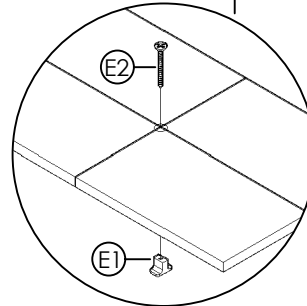
Installation Hinges:

Insert the screw into the hole of the Hinges with using the screwdriver.

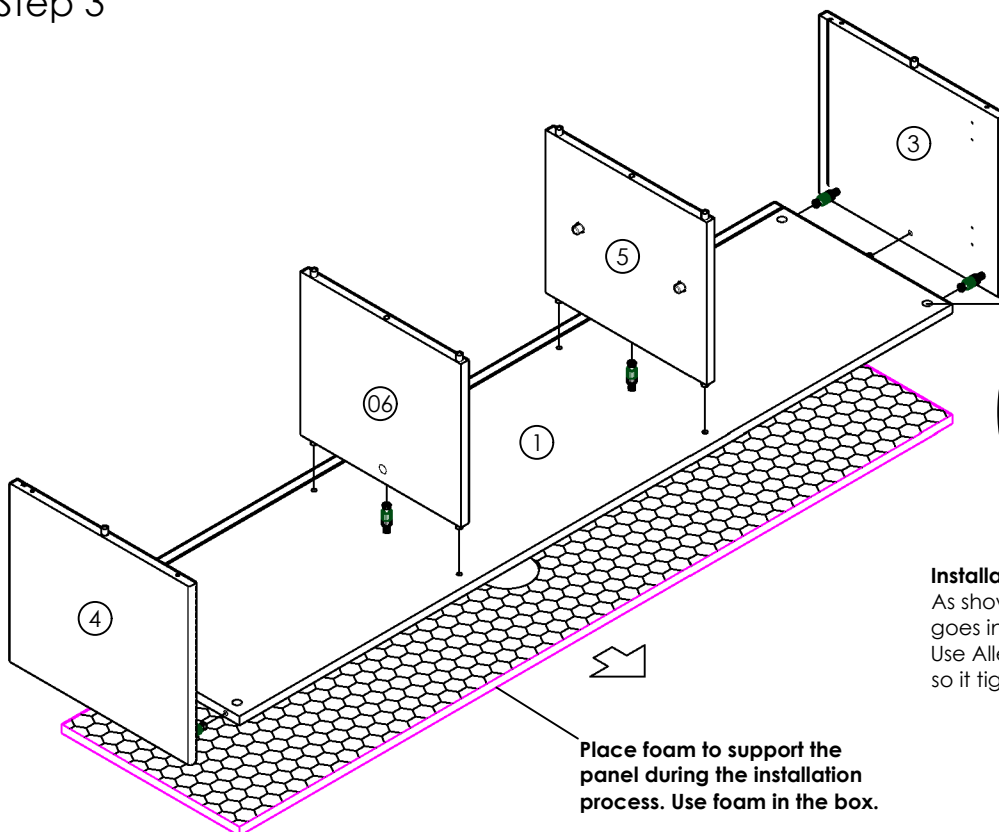


Installation Screw:

Please insert the screw on panel using a screwdriver.



Step 3

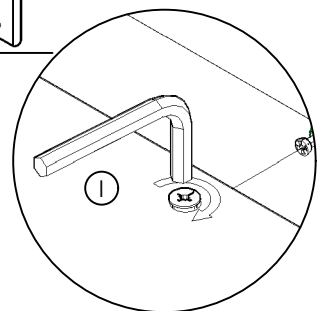


Place foam to support the panel during the installation process. Use foam in the box.

(I) x1

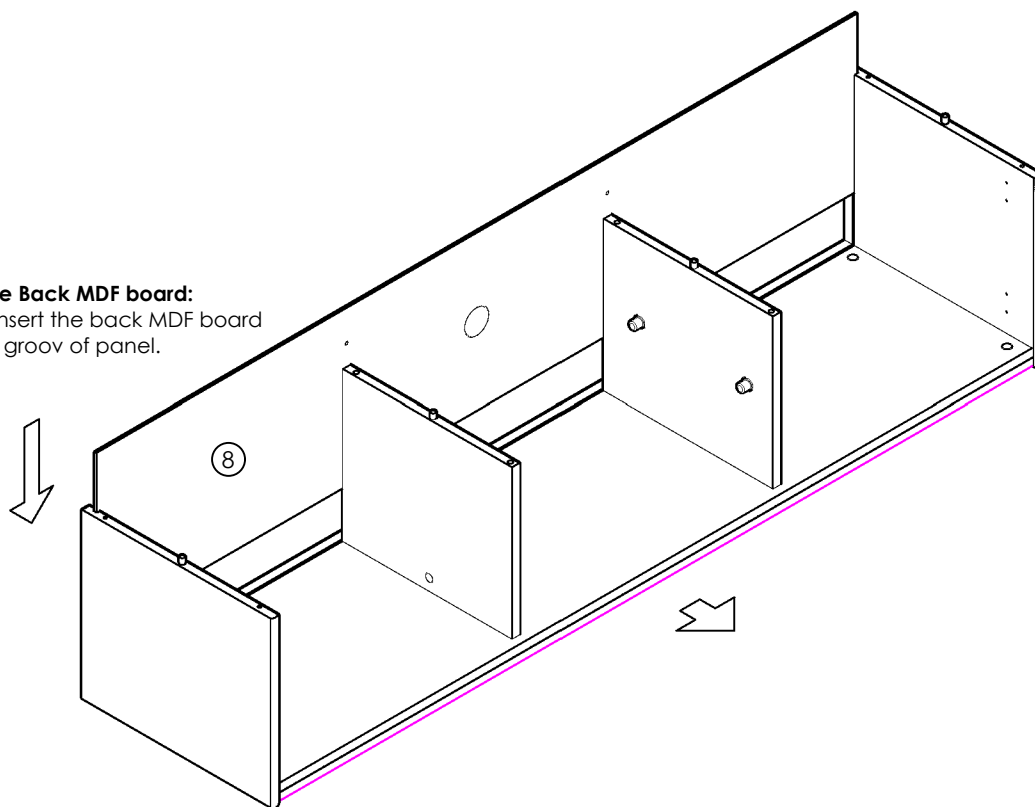
Installation:

As shown, the head of minifix housing goes into the open mouth of the minifix bolt. Use Allen Key then turn the minifix housing so it tightens over the minifix bolt.

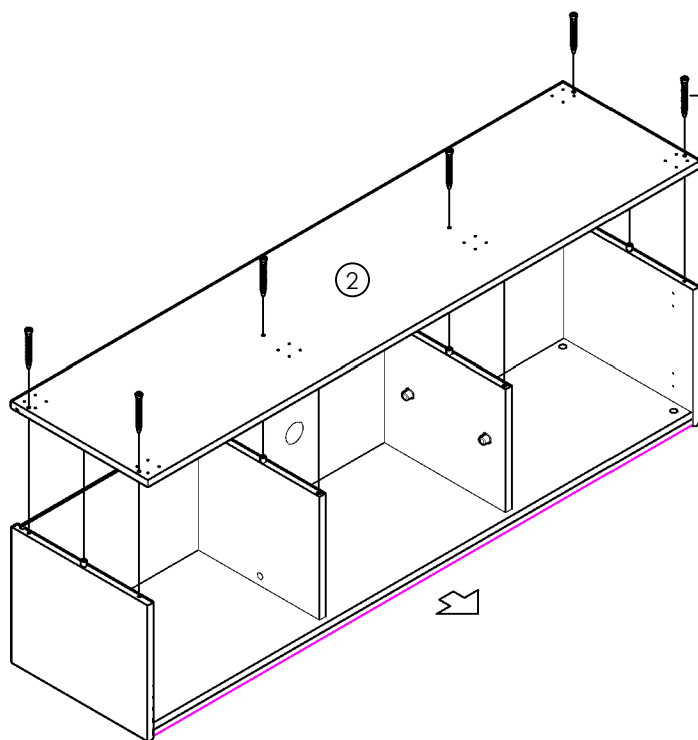



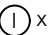


Step 4

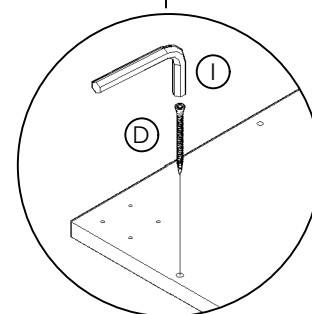
Insert the Back MDF board:
Please insert the back MDF board into the groove of panel.



Step 5

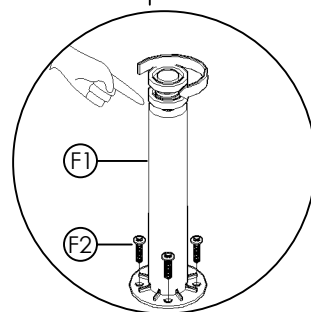
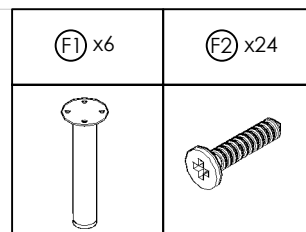
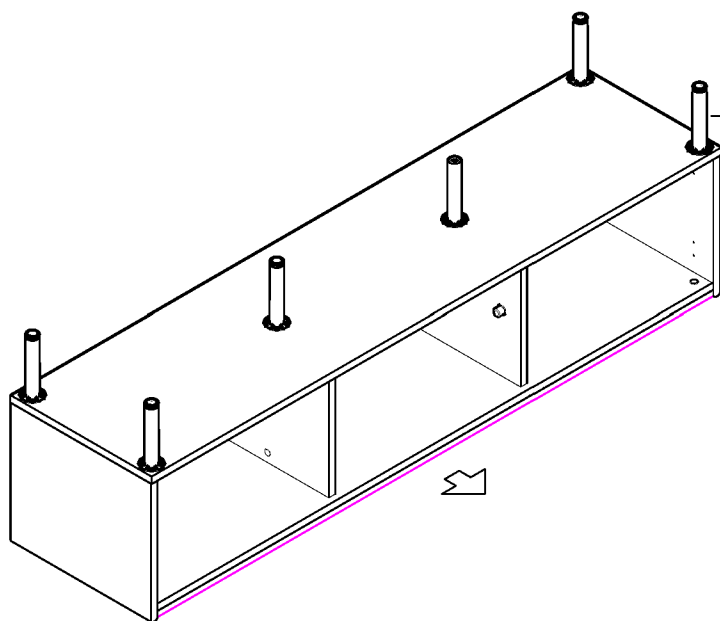


 (D) x6	 (I) x1
	



Installation Screw:
Please insert the screw (D)
on panel using a allen key (I).

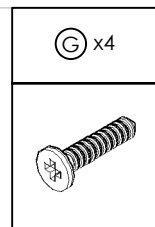
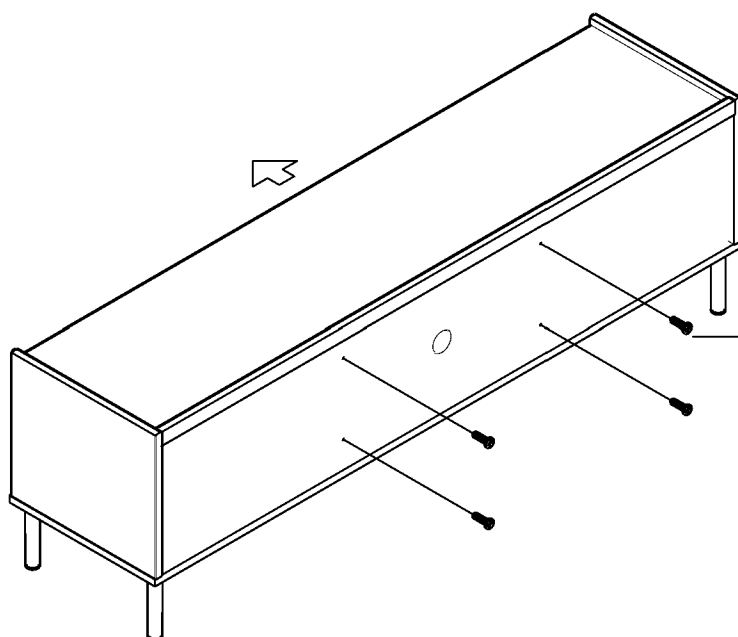
Step 6



Installation Pvc Center Support Leg:

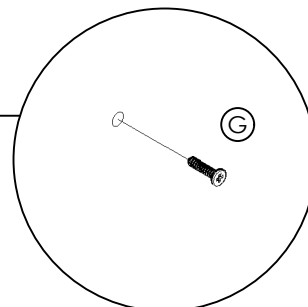
Please insert the screw on panel using a screwdriver.

Step 7

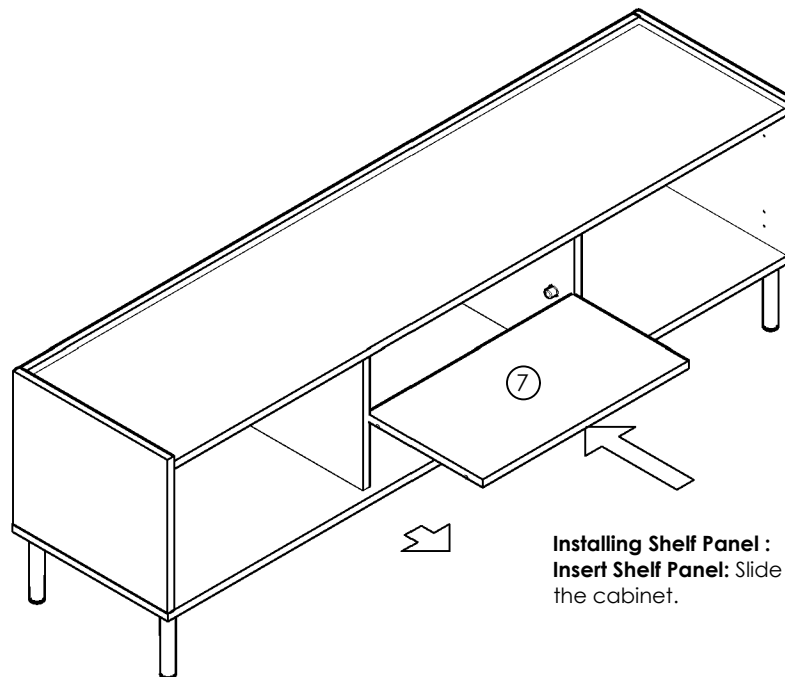


Installation Screw:

Please insert the screw on panel using a screwdriver.

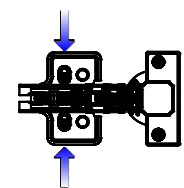
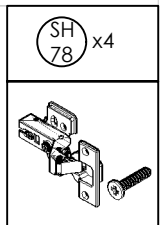
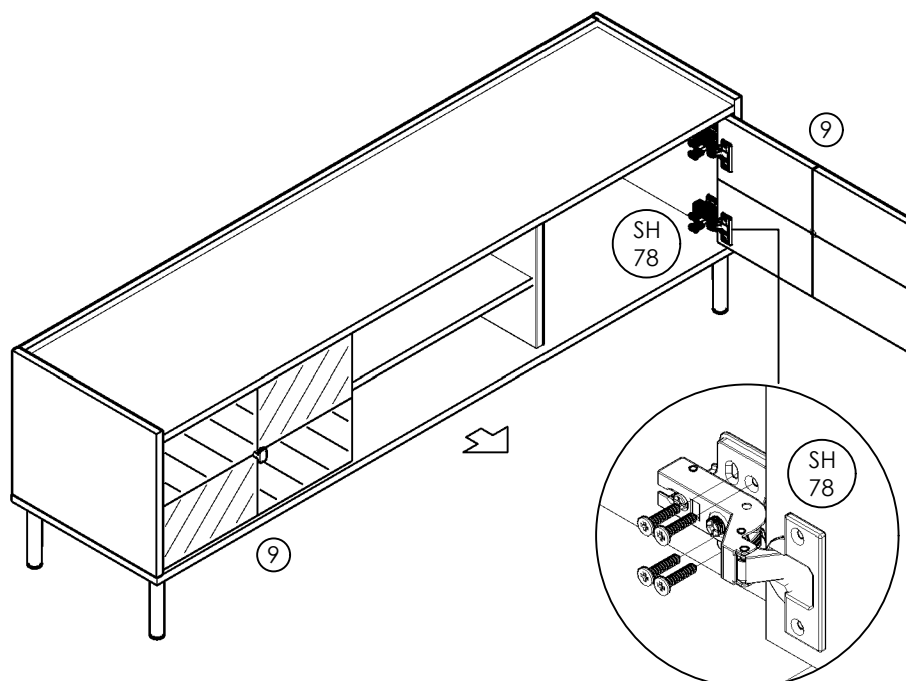


Step 8

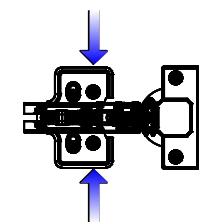


Installing Shelf Panel :
Insert Shelf Panel: Slide the panel, into the cabinet.

Step 9



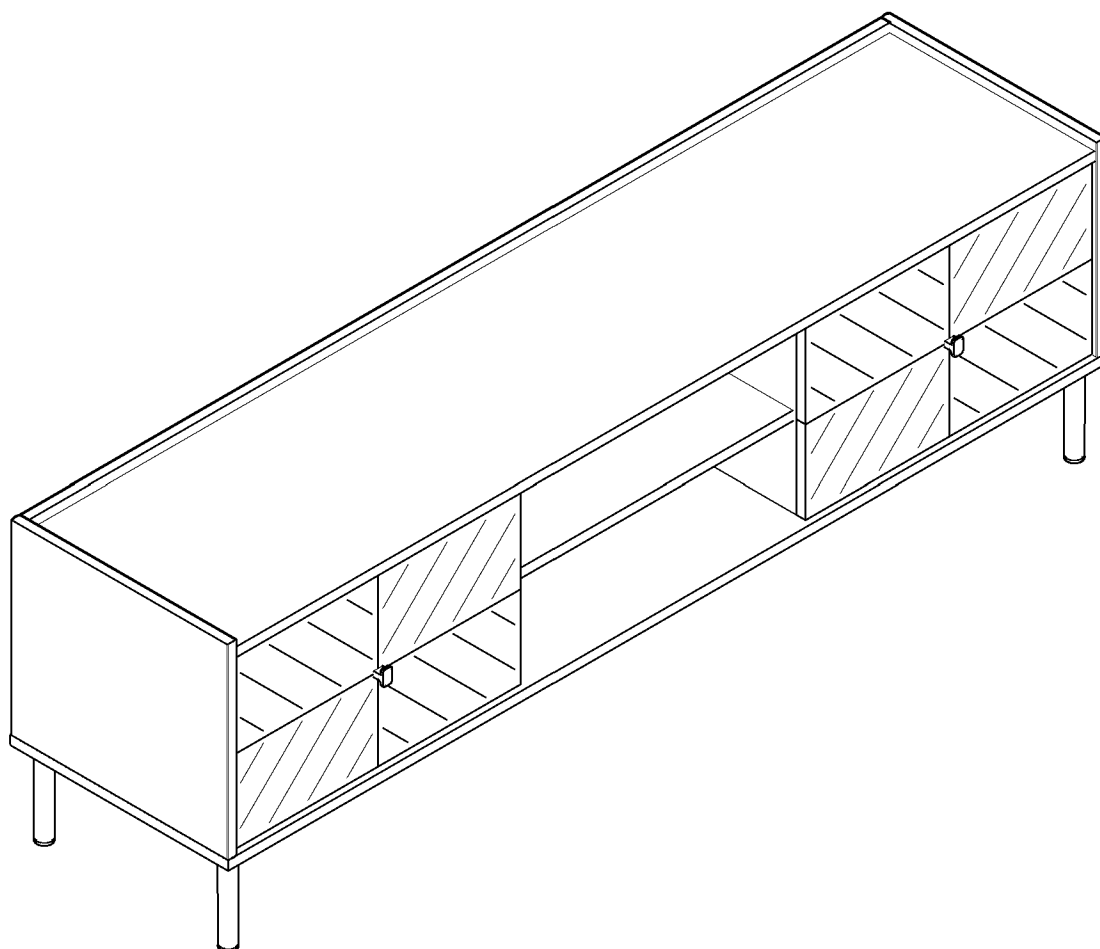
#Adjust the door by moving it up and down or left and right the tighten the screws



#Tighten the screws to prevent sliding doors

VOILA!

Now enjoy.



Warning !!!

DO NOT stand on the cabinet as this may damage the product and cause serious bodily injury.

Something not right?

We are always here to help.

We make mistakes like every human does. Though we always strive to provide the best possible products at competitive prices and the best service in the industry, it's not possible to completely eliminate mistakes. If you experience any dissatisfaction, feel free to contact us immediately. Our in-house customer care team will respond ASAP.

Things to do to expedite the process

- Have your order# ready
- Take photos/videos to help us better identify the issues
- DO NOT throw away the packaging
-

Happy with our product?

Leave us a review

It really help us as a small business

Find the product you purchased on our website (tip: search by SKU) and leave us a review.

Alternatively, you can always return to the marketplace where you purchased it and leave a review there.

Share with others

Our customers look for REAL stuff

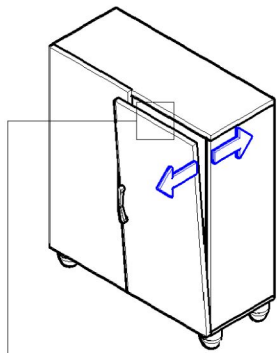
**Please save this manual
for future reference.**



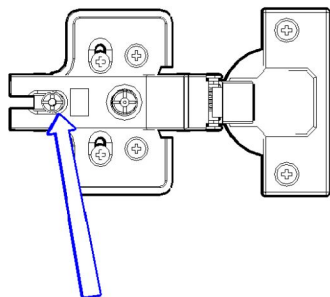
HOW TO ADJUST GLASS/DOORS

- There is a gap between the door and the shelf with doors closed

Loosen the back adjustable screw which is one of the two screws looking from the front while supporting the doors, adjust the door by moving it back and forth, then tighten the back screw.



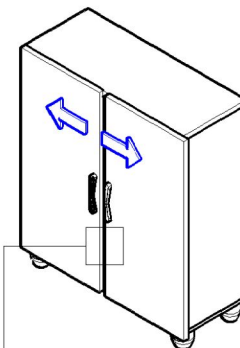
If there is a gap between the doors on the top.



Loosen this screw, adjust by moving back and forth

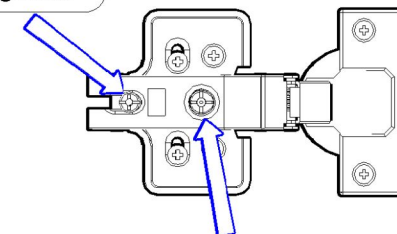
- There is a gap in the middle with doors closed

Loosen the ① back adjustable screw which is one of the two screws looking from the front while supporting the doors, tighten the ② screw clockwise, then adjust the middle gap. After adjusted, tighten the ① screw.



If the gap is wide

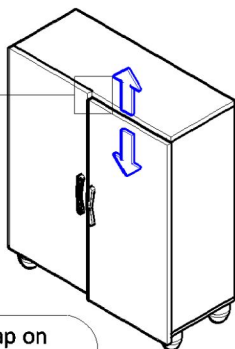
① Fixing screw



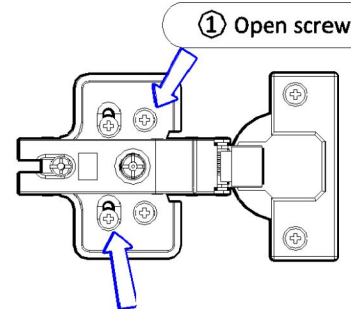
② Adjusting screw
(If you twist clockwise once, the door moves about 2mm inward)

- There is a gap on the top of the door when doors are closed
(Glass slide hinge does not require this step)
(4 screw hole hinge does not require ①)

Loosen the slide hinge screw while supporting the door, adjust the door by moving it up and down then tighten the screws.
(Please loosen the slide hinge screws of the door completely you are adjusting before moving it up and down.)



If there is a gap on the top of the door

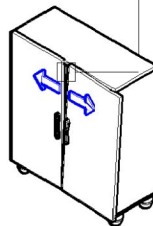


② Slide hinge screws (Please loosen these screws before adjusting)

- There is a V gap when doors are closed

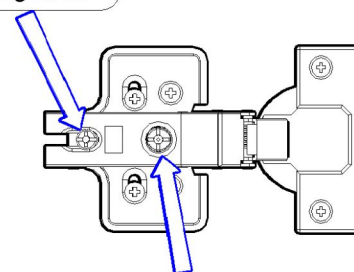
Loosen the ① back adjustable screw which is one of the two screws looking from the front while supporting the doors, tighten the ② screw clockwise, then adjust the middle gap. After adjusted, tighten the ① screw.

If there is a gap between the doors on the top
(Please adjust slide hinge the top part door)



If there is a gap between the doors on the bottom
(Please adjust slide hinge the bottom part door)

① Fixing screw



② Adjusting screw
(If you twist clockwise once, the door moves about 2mm inward)