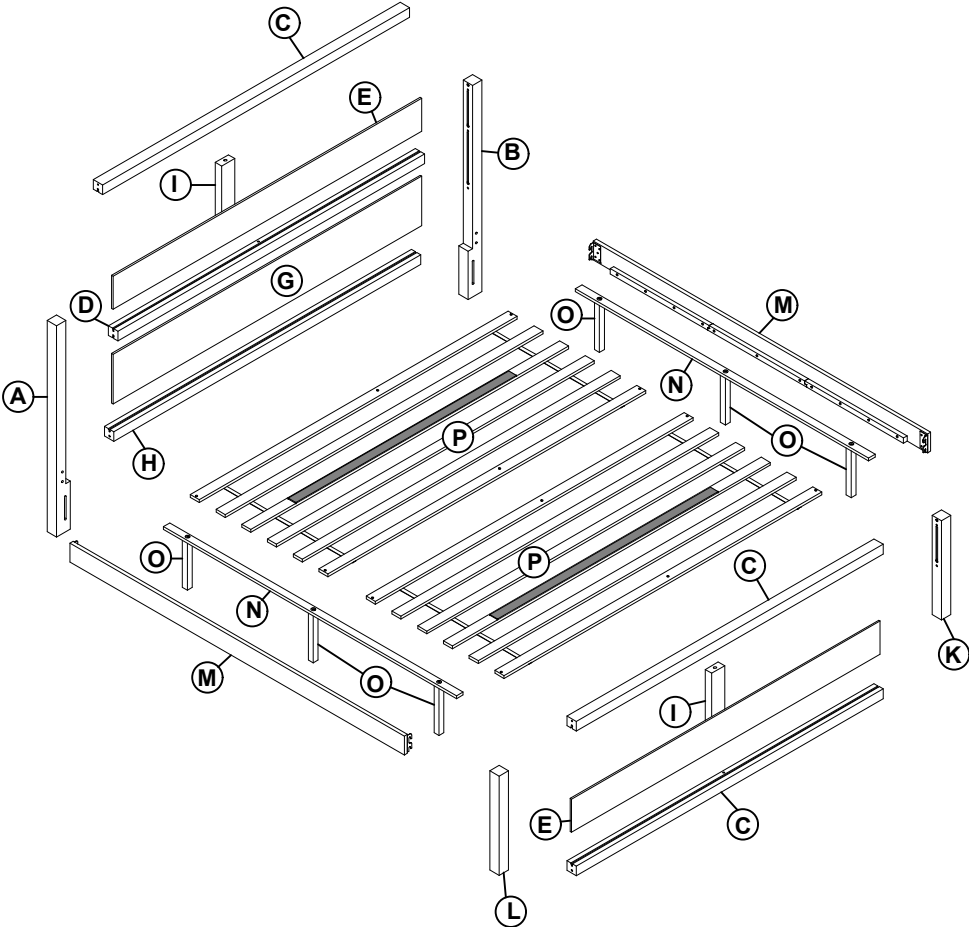
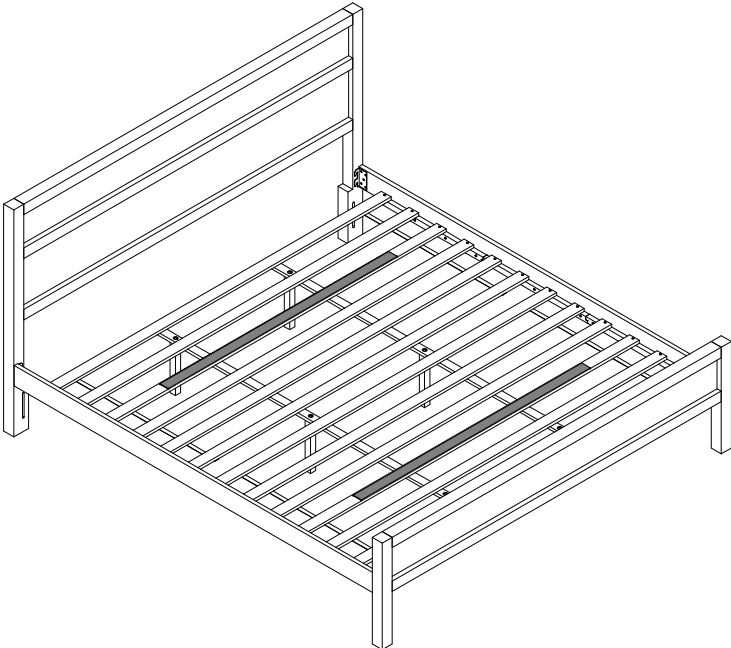


ASSEMBLY INSTRUCTIONS

52016 KING BED



52016 KING BED

ASSEMBLY INSTRUCTIONS

Read these instructions carefully and keep for future reference. Refer to parts inventory for guidance, and ensure you have all pieces before starting.

When assembling, place all parts on a soft, clean, and flat surface such as a carpet to prevent scratches.

If you're having difficulty, our friendly Customer Care team is always here to help. Call us at 1.336.861.0604 during business hours, email parts@comfortpointe.com.

Attention : Veuillez Lire Toutes Les Instructions Avant De Commencer L'assemblage De Ce Produit. Les Pièces Sont Lourdes. Pour Éviter Toute Blessure Et Pour Vous Assurer Que Le Produit N'est Pas Endommagé Pendant L'assemblage, Nous Vous Recommandons De Faire Appel À Une Ou Plusieurs Autres Personnes.

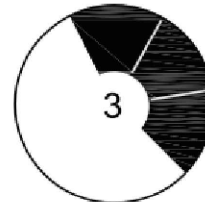
Cuidado: Favor De Leer Todas Las Instrucciones Antes De Ensamblar Su Producto. Estas Piezas Son Pesadas. Para Prevenir Heridas Personales Y Asegurar Que Su Producto No Sea Dañado Mientras Es Ensamblado, Se Recomienda La Asistencia De Una O Más Personas.



TIME



OF PEOPLE


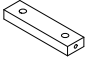
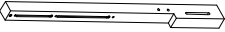










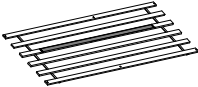


DIFFICULTY

Important: Use hand tools for assembly. Power tools can lead to over-tightening and damage.










52016 KING BED

Parts List

CODE	DESCRIPTION	QTY	CODE	DESCRIPTION	QTY
A	Left headboard leg 	1PC	I	Center support 	2PCS
B	Right headboard leg 	1PC	K	Right footboard leg 	1PC
C	Upper horizontal rail 	3PCS	L	Left footboard leg 	1PC
D	Middle horizontal rail 	1PC	M	Rail 	2PCS
E	Upper panel 	2PCS	N	Support bar 	2PCS
G	Bottom panel 	1PCS	O	Supporting leg 	6PCS
H	Bottom horizontal rail 	1PC	P	Slat 	2PCS

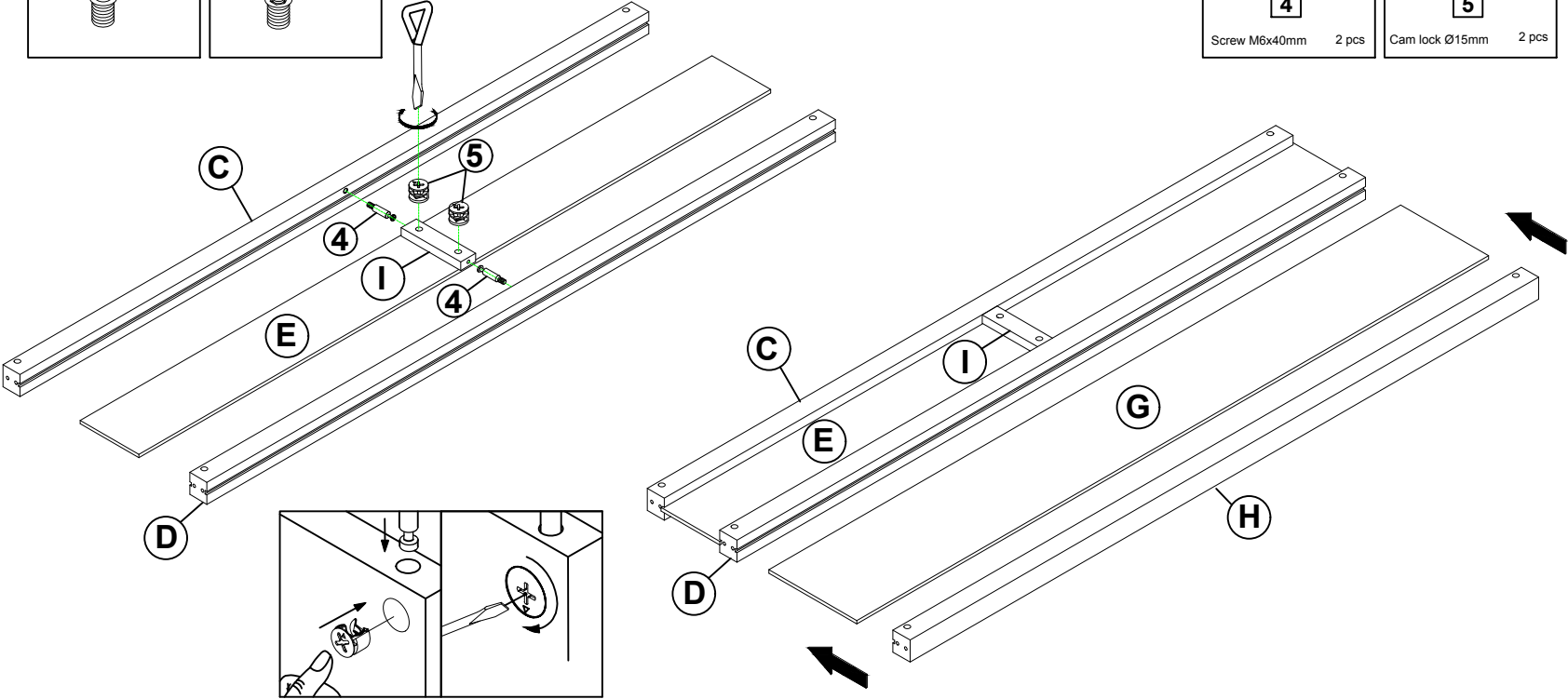
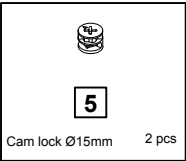
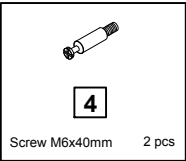
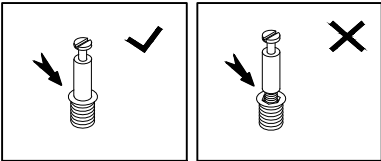
52016 KING BED

Hardware List

CODE	DESCRIPTION	QTY	CODE	DESCRIPTION	QTY
1 . Bolt 5/16"x20mm		8PCS	6 . Dowel 8x30mm		10PCS
2 . Spring Washer		8PCS	7 . Screw		16PCS
3 . Flat Washer		8PCS	8 . Flat Head Screwdriver		1PC
4 . Cam lock Bolt M6x40mm		14PCS	9 . Allen key		1PC
5 . Cam lock Ø15mm		14PCS			

52016 KING BED

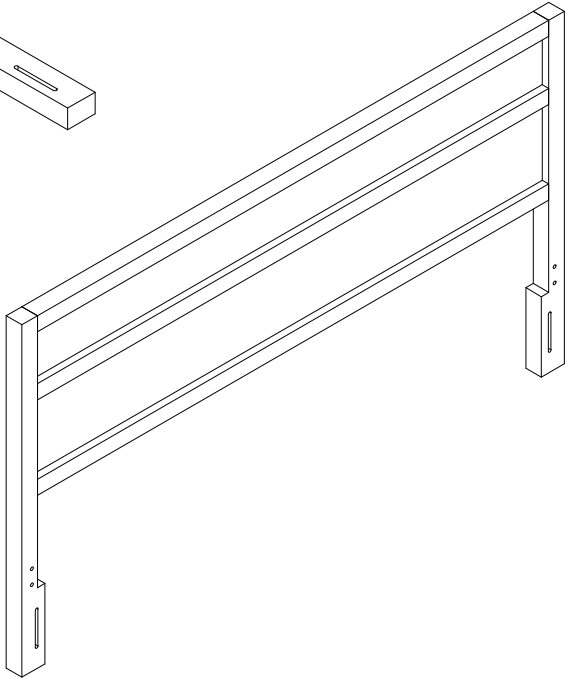
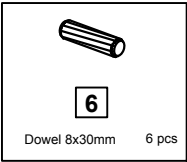
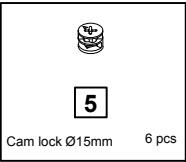
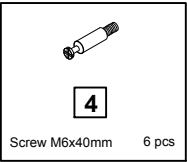
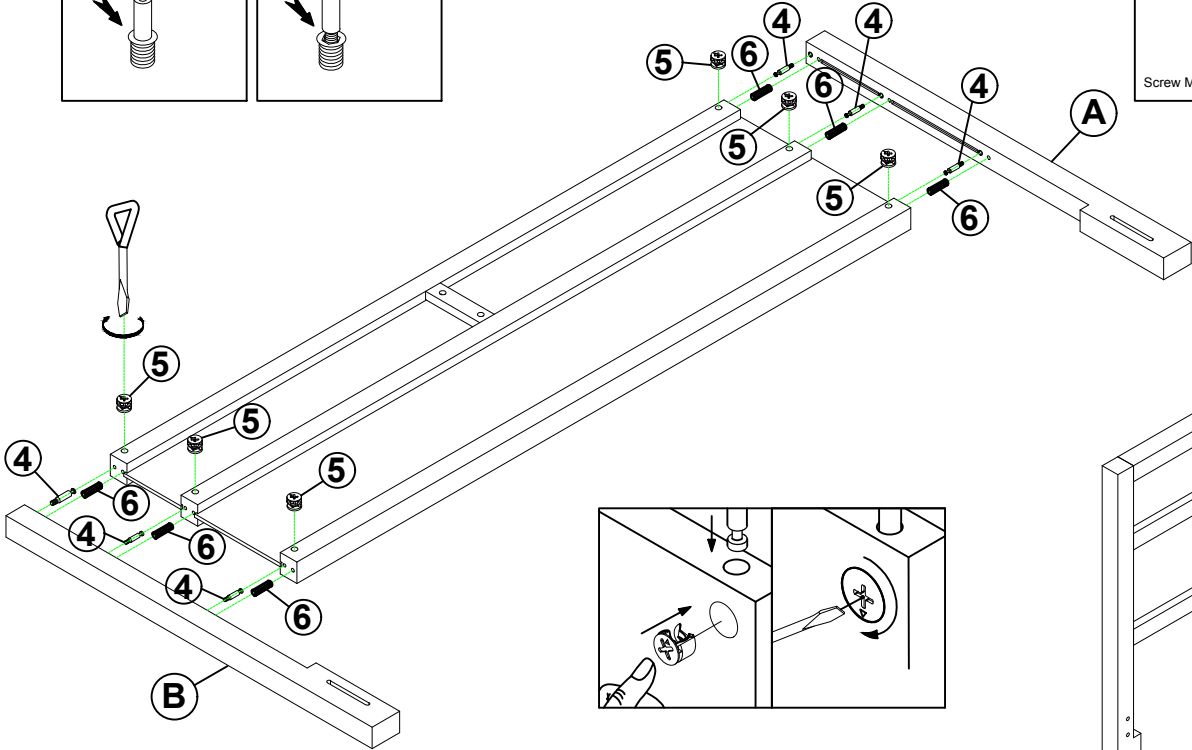
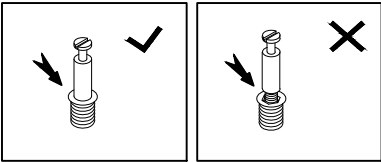
1



If you're having difficulty, our friendly Customer Care team is always here to help. Call us at 1.336.861.0604, email: parts@comfortpointe.com.

52016 KING BED

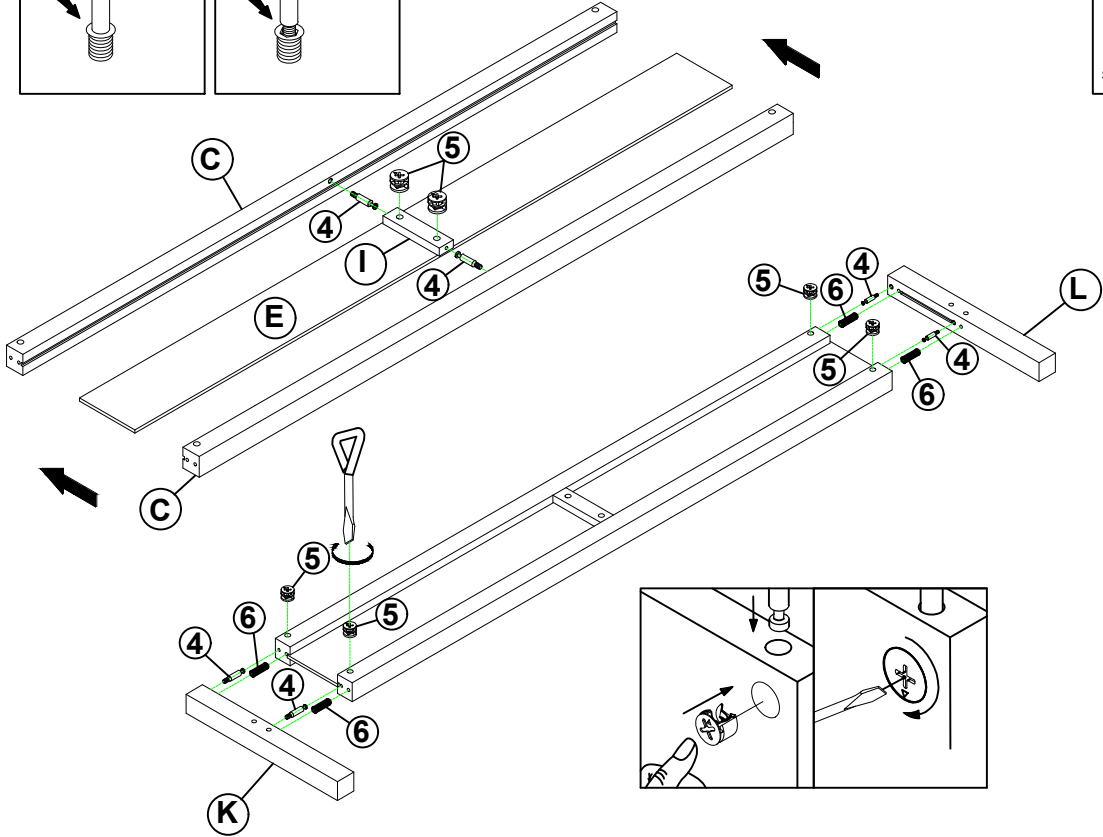
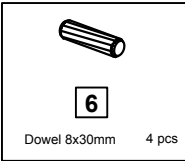
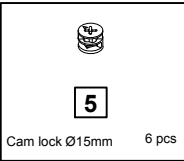
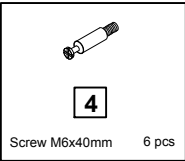
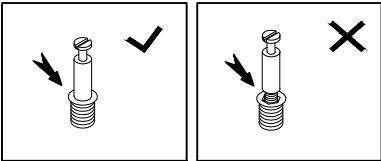
2



If you're having difficulty, our friendly Customer Care team is always here to help. Call us at 1.336.861.0604, email: parts@comfortpointe.com.

52016 KING BED

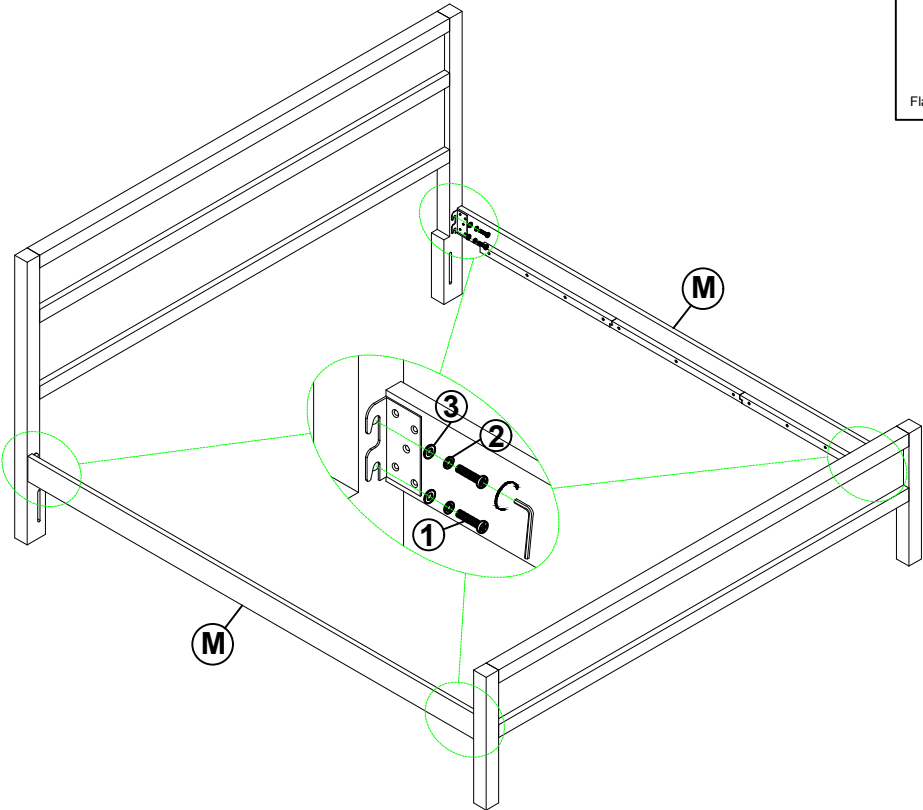
3





If you're having difficulty, our friendly Customer Care team is always here to help.
Call us at 1.336.861.0604, email: parts@comfortpointe.com.


4

52016 KING BED




3
Flat Washer 8 pcs

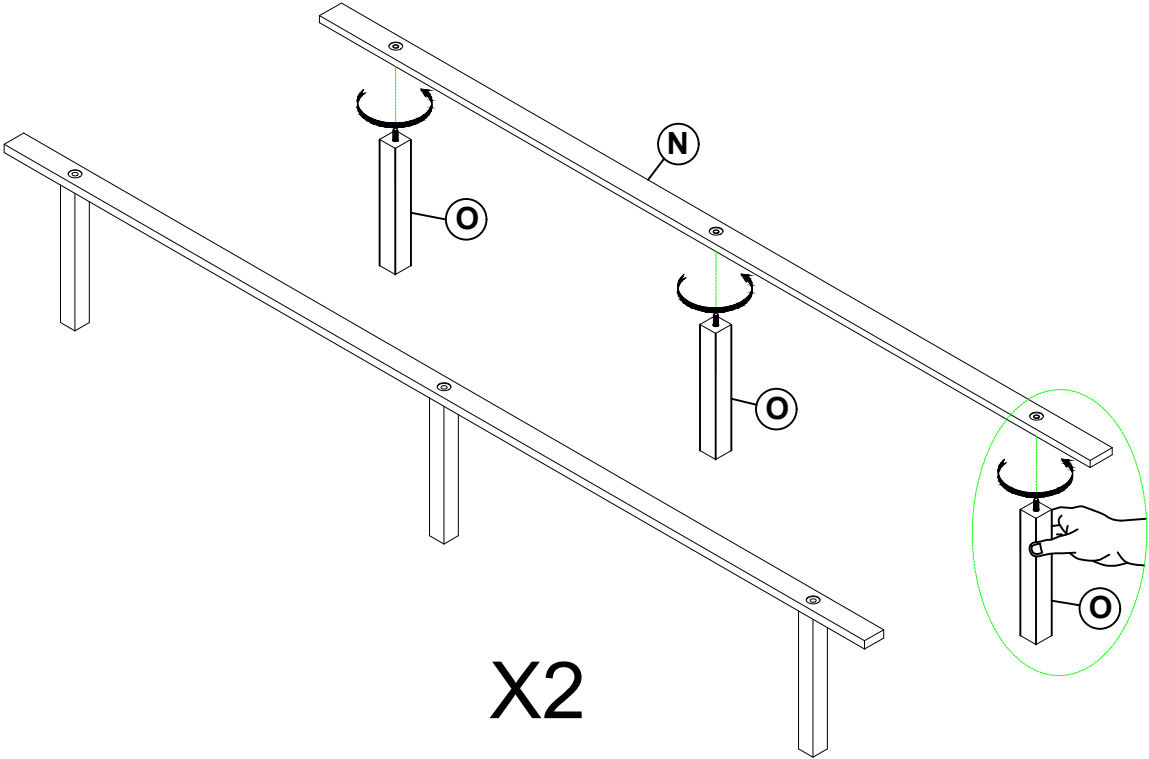

2
lock Washer 8 pcs


1
Bolt 5/16"x20mm 8 pcs

If you're having difficulty, our friendly Customer Care team is always here to help.
Call us at 1.336.861.0604, email: parts@comfortpointe.com.

5

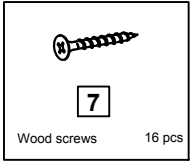
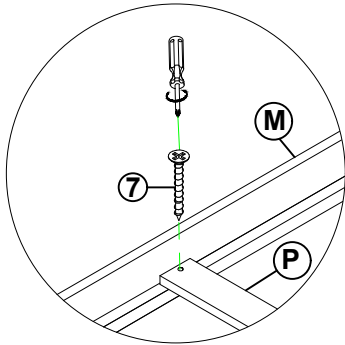
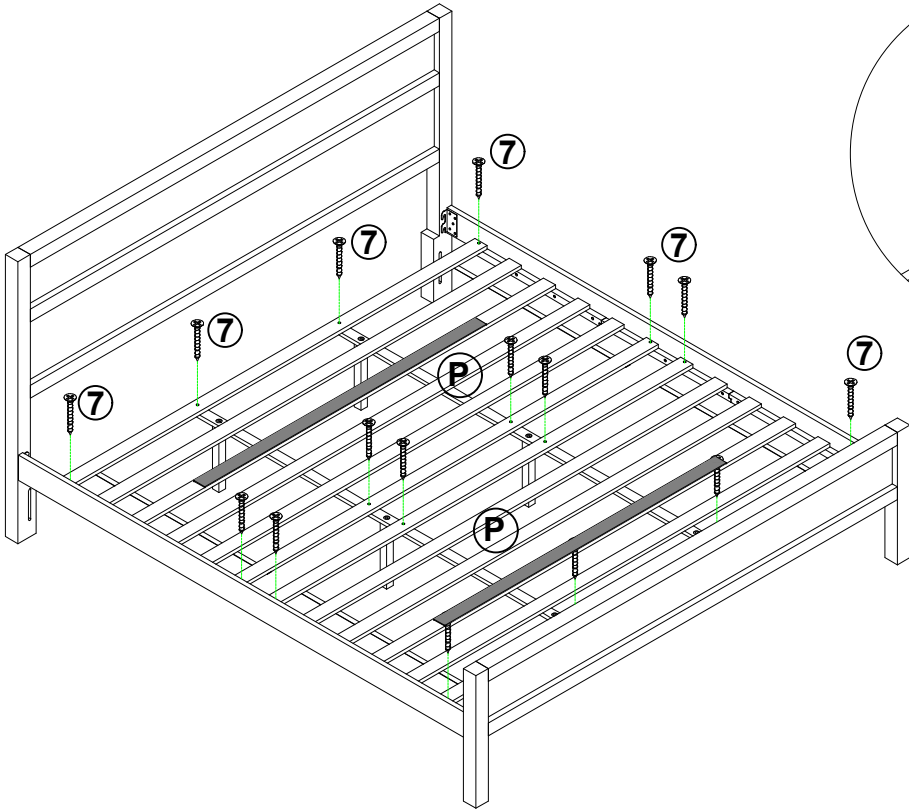
52016 KING BED



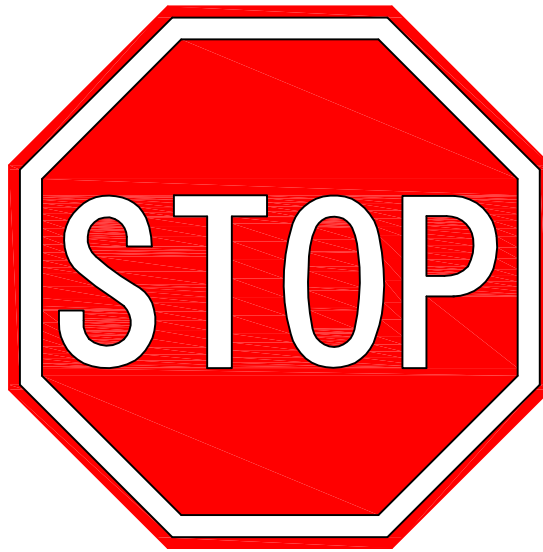
If you're having difficulty, our friendly Customer Care team is always here to help.
Call us at 1.336.861.0604, email: parts@comfortpointe.com.

6

52016 KING BED



If you're having difficulty, our friendly Customer Care team is always here to help.
Call us at 1.336.861.0604, email: parts@comfortpointe.com.



*******IMPORTANT MESSAGE*******

Please check to insure you have received all parts listed on the instruction sheet provided. If you did not receive all parts or received damaged parts please email or call the following:

Email: parts@comfortpointe.com

Phone: 336-861-0604 Contact: Parts Department

Office hours:

8am to 4pm EST Mon-Thur

8am to 3pm EST Friday

You will need to provide the item number purchased, your reference number, and identify which part is missing/damaged, all parts orders are considered priority.

Thank You