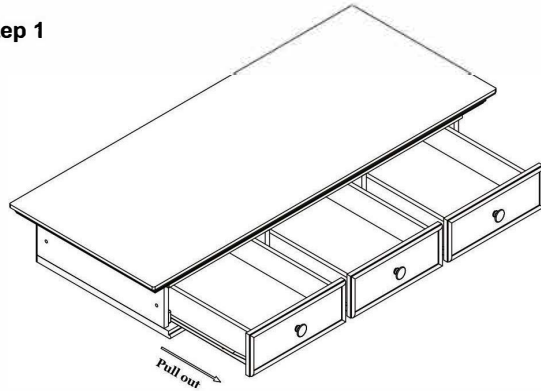
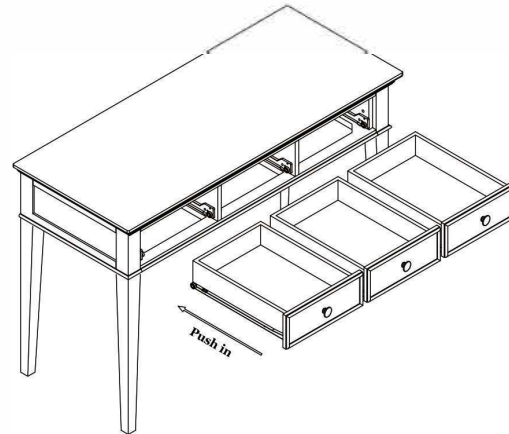


Assembly Instruction

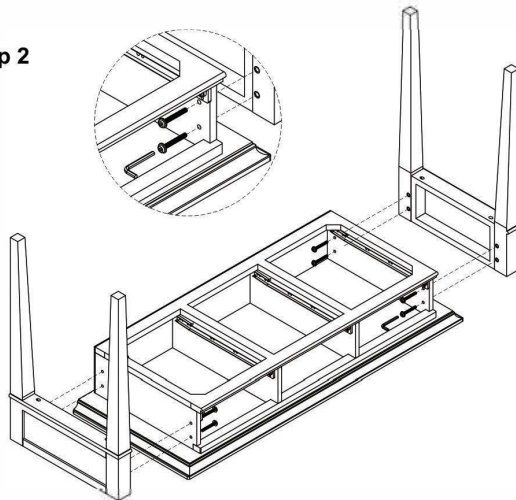
step 1



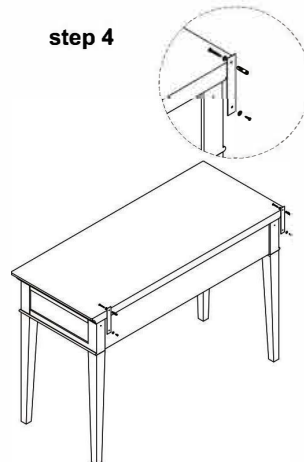
step 3



step 2

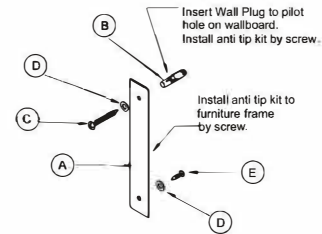


step 4



- A. Belt
- B. Wall plug
- C. Long screw
- D. Rings
- E. Short screw

HARDWARE
ANTI TIP KIT



ANTI TIP KIT INSTALLATION



hardware



H1 x 8
bolts M6 x 40mm



H2 x 8
flat washers



H3 x 1
hex key #4