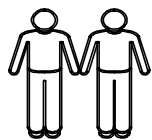
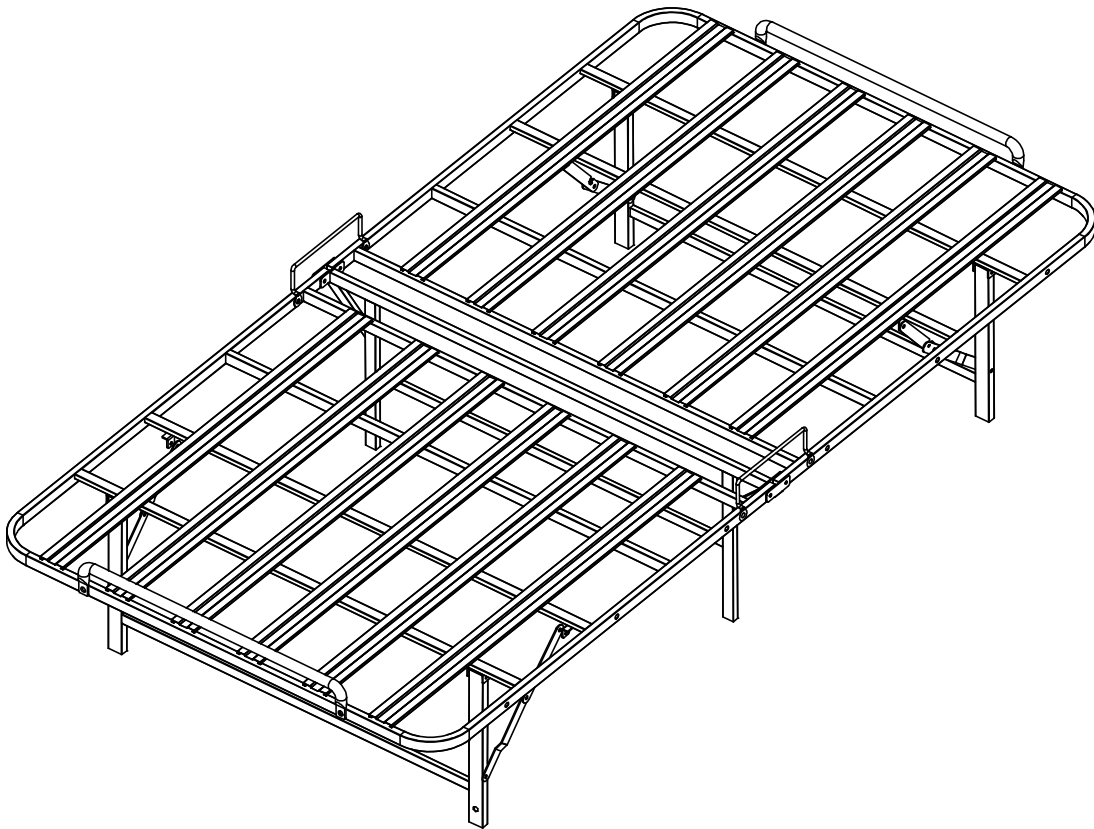
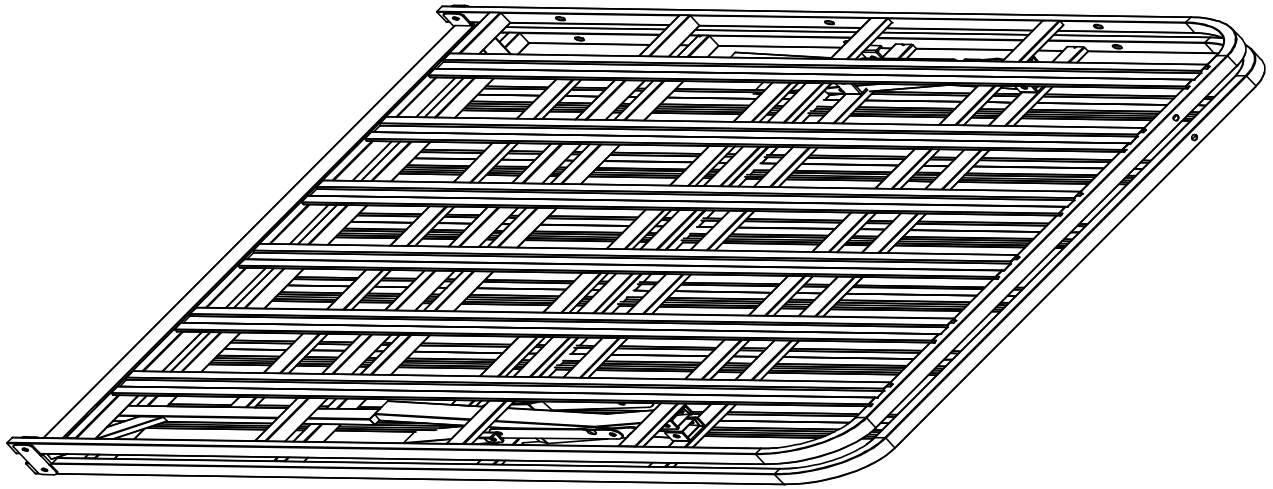


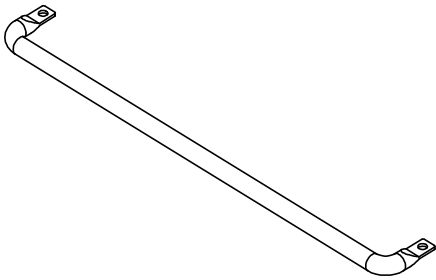
# Floating Bed Assembly Instructions



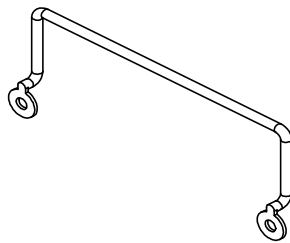
If you have any questions, please contact us



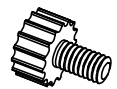
**A×1**



**D×2**



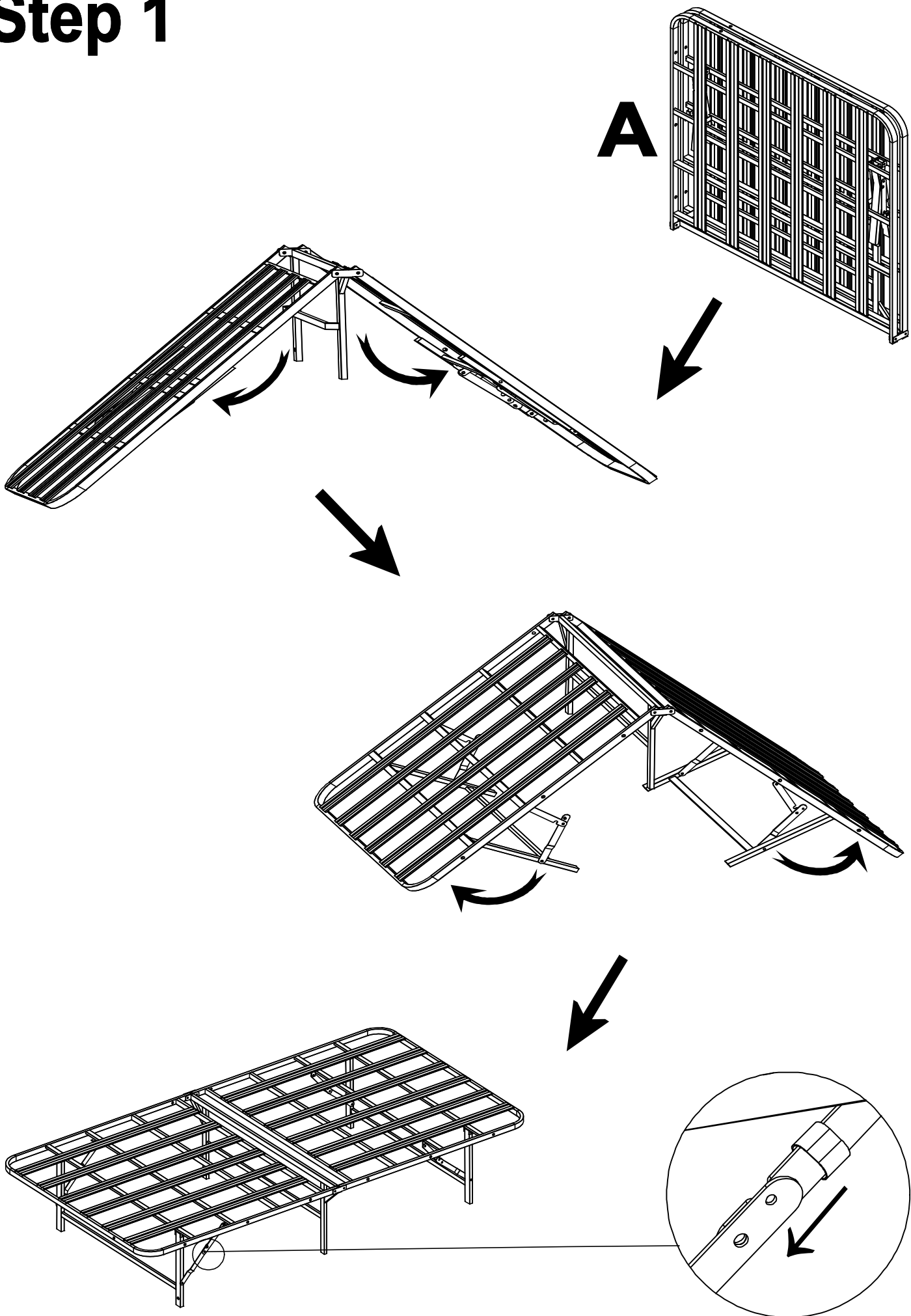
**E×2**



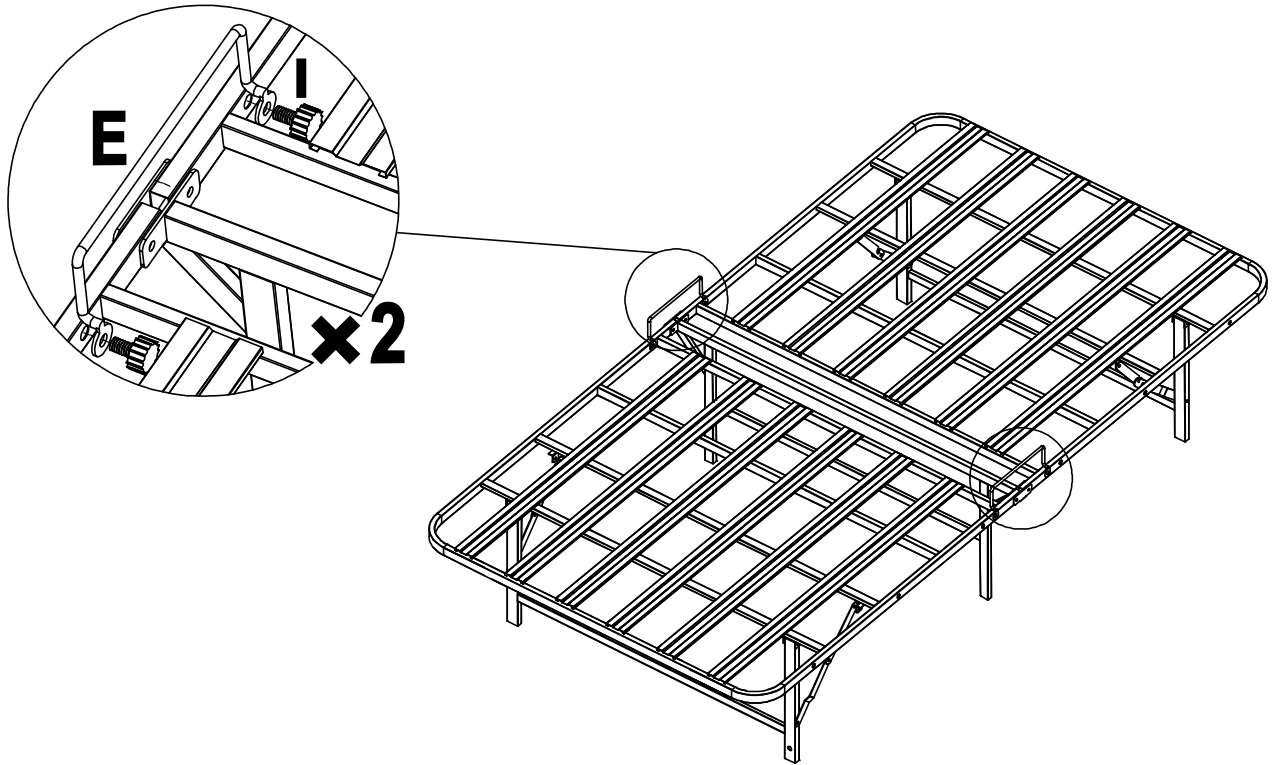
**I×8**  
**M6\*13**

# Step 1

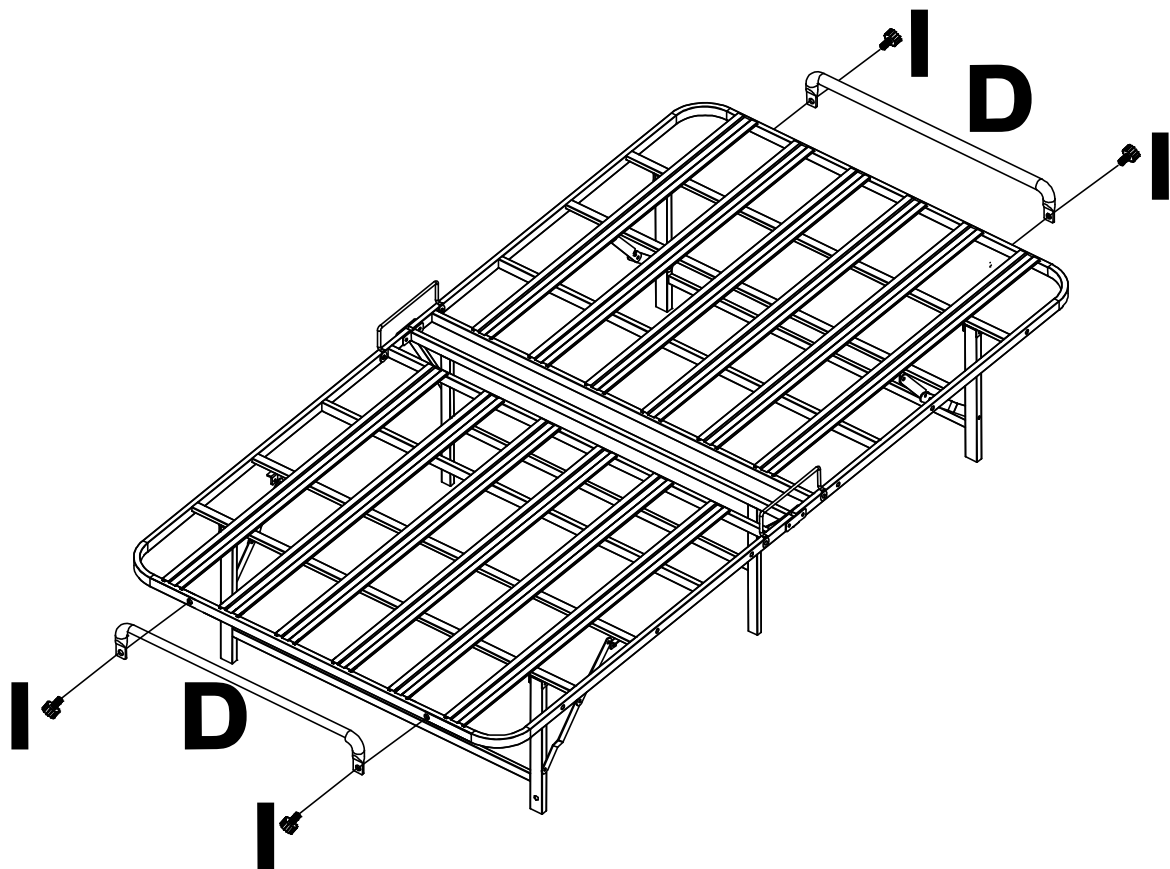
A



# Step 2



# Step 3



# Notes

If you plan to place our metal bed frame inside the bed as a support base, please do not carry out the installation operations of the second and third steps. After opening and fixing the bed frame as per the first step, simply follow the following diagrams for use. Otherwise, it may cause a mismatch with the mattress and result in non-functionality.

