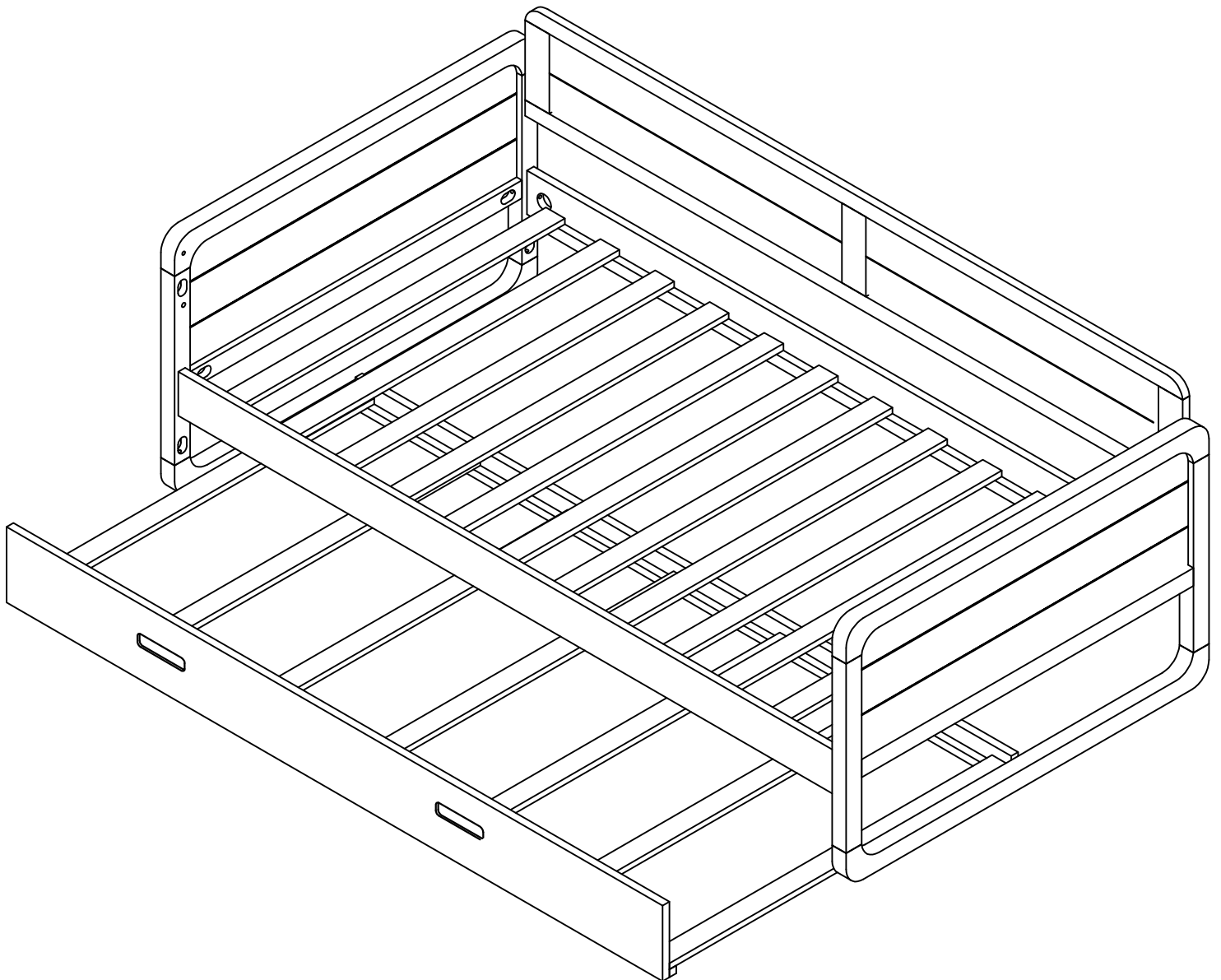
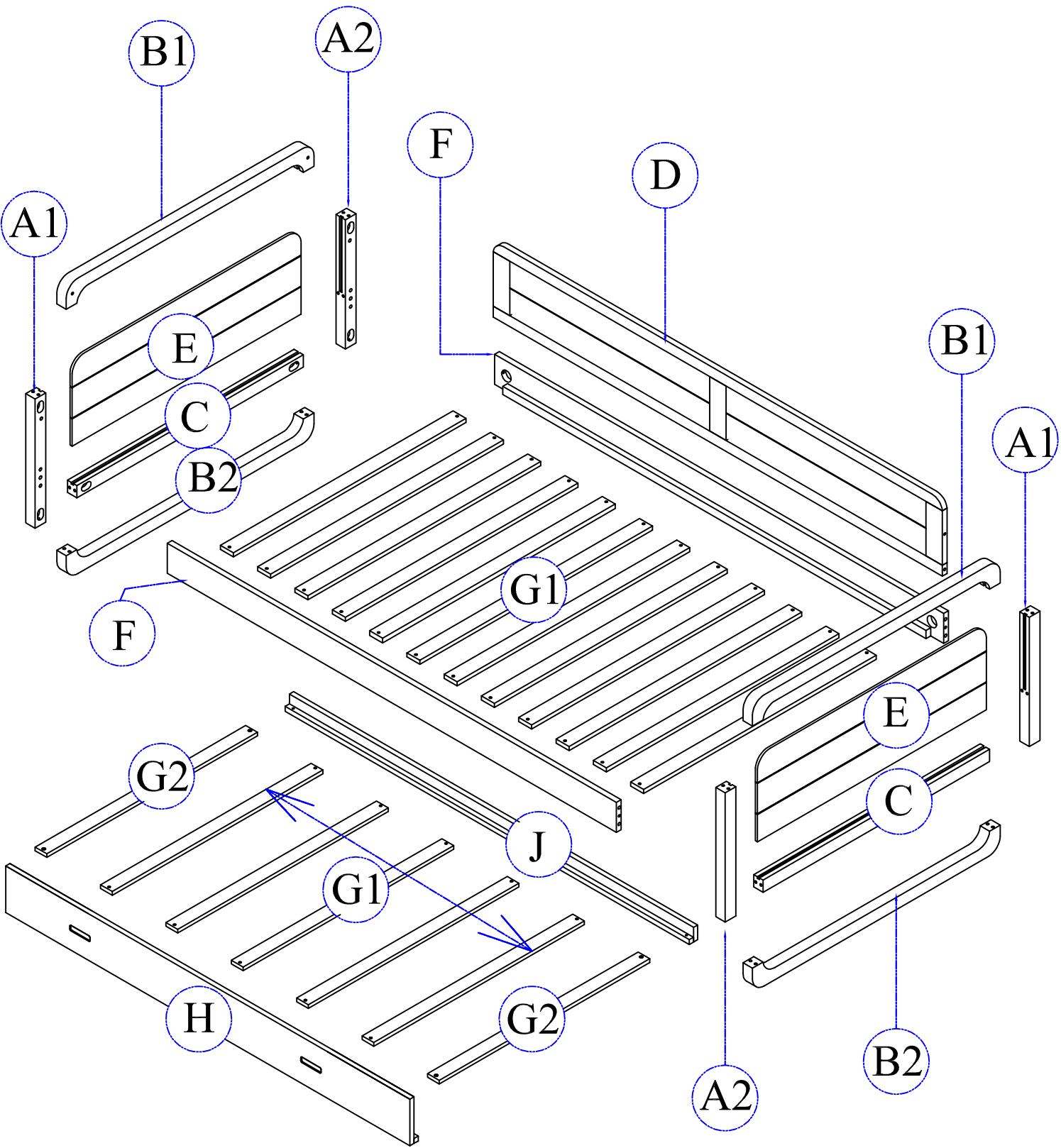


# Assembly Instructions

ITEM CODE: WF530453



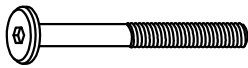








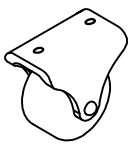


# DETAIL VIEW

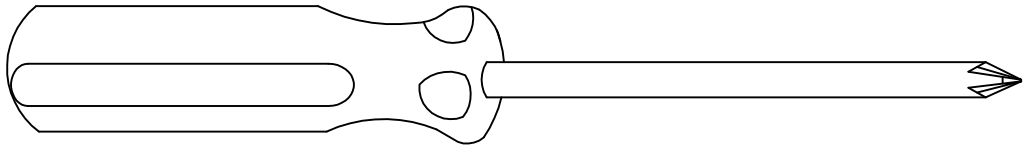


BOX : WF530453

<p><b>A1</b></p> A short, rectangular metal post with a slightly raised top edge and a small circular hole near each end. <p>Front Post (L) (2 pc)</p>	<p><b>A2</b></p> A short, rectangular metal post with a slightly raised top edge and a small circular hole near each end, similar to A1 but with a different profile. <p>Back Post (R) (2 pc)</p>	<p><b>B1</b></p> A long, narrow metal slat with a curved top edge and a small circular hole near one end. <p>Top slat (2 pcs)</p>	<p><b>B2</b></p> A long, narrow metal slat with a curved bottom edge and a small circular hole near one end. <p>Bottom slat (2 pcs)</p>
<p><b>C</b></p> A long, narrow metal slat with a slightly raised top edge and a small circular hole near one end. <p>Middle slat (2 pcs)</p>	<p><b>D</b></p> A long, narrow metal slat with a raised backrest section in the middle and a small circular hole near one end. <p>Backrest (1 pcs)</p>	<p><b>E</b></p> A long, narrow metal panel with a curved top edge and a small circular hole near one end. <p>Panel (2 pcs)</p>	<p><b>F</b></p> A long, narrow metal side rail with a raised top edge and a small circular hole near one end. <p>Side Rail (2 pcs)</p>
<p><b>G1</b></p> A long, narrow metal slat with a slightly raised top edge and a small circular hole near one end. <p>Slat (17 pcs)</p>	<p><b>G2</b></p> A long, narrow metal slat head with a slightly raised top edge and a small circular hole near one end. <p>Slat head (2 pcs)</p>	<p><b>H</b></p> A long, narrow metal trundle front side with a slightly raised top edge and a small circular hole near one end. <p>Trundle Front side (1 pc)</p>	<p><b>J</b></p> A long, narrow metal trundle back side with a slightly raised top edge and a small circular hole near one end. <p>Trundle back side (1 pc)</p>

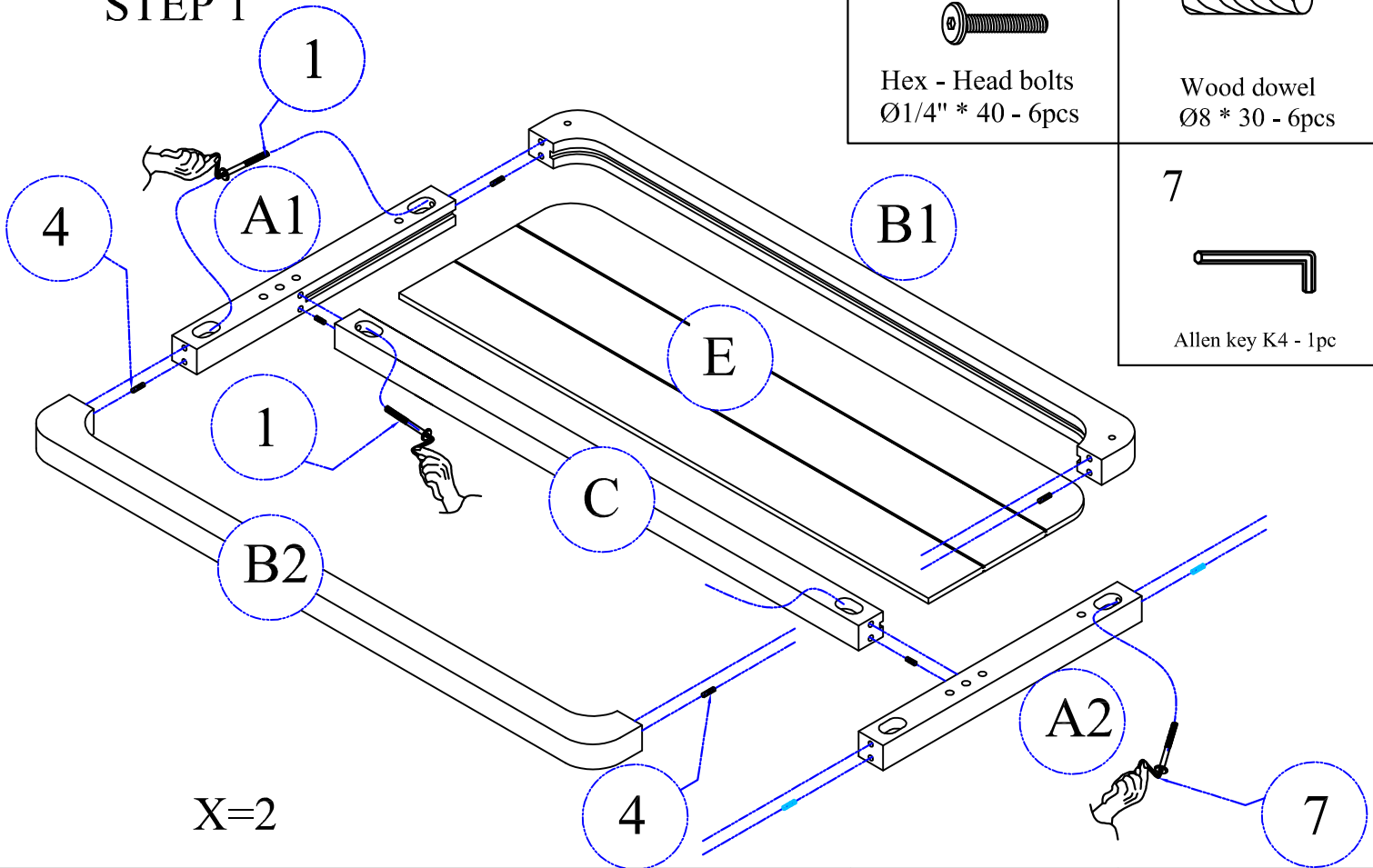
# HARDWARE LIST : WF530453


<p>1</p>  <p>Hex - Head bolts Ø1/4" * 40 - 14pcs</p>	<p>2</p>  <p>Hex - Head bolts Ø1/4" * 30 - 4pcs</p>	<p>3</p>  <p>connecting rod -4 pcs</p>	<p>4</p>  <p>Wood dowel Ø8 * 30 - 12pcs</p>
<p>5</p>  <p>Wood dowel Ø10 * 40 - 10pcs</p>	<p>6</p>  <p>Hexanon nut =4 pcs</p>	<p>7</p>  <p>Allen key M4*100 - 1pc</p>	<p>8</p>  <p>Wood crews M4 * 20 - 8pcs</p>
<p>9</p>  <p>Wood crews M4 * 30 - 34pcs</p>	<p>10</p>  <p>Wheel=4 pcs</p>	<p>11</p>  <p>Wrench Metal =1 pc</p>	<p>12</p>  <p>Stud bolt Ø5/16" * 75 - 4pcs</p>





Assembly Tools Required (Not Included)

# STEP 1

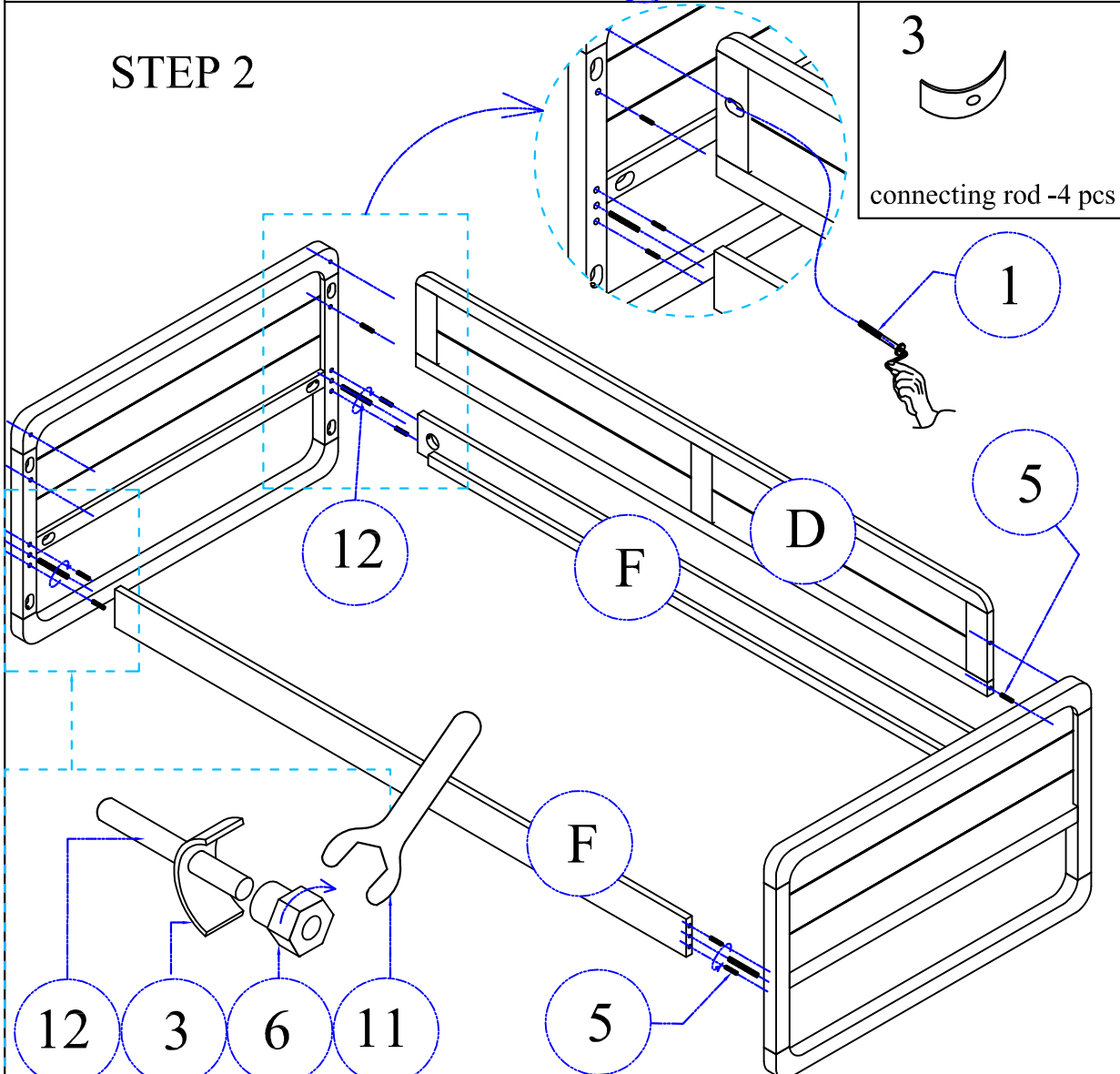



1  
  
 Hex - Head bolts  
 Ø1/4" \* 40 - 6pcs


4  
  
 Wood dowel  
 Ø8 \* 30 - 6pcs


7  
  
 Allen key K4 - 1pc


# STEP 2




3  
  
 connecting rod -4 pcs

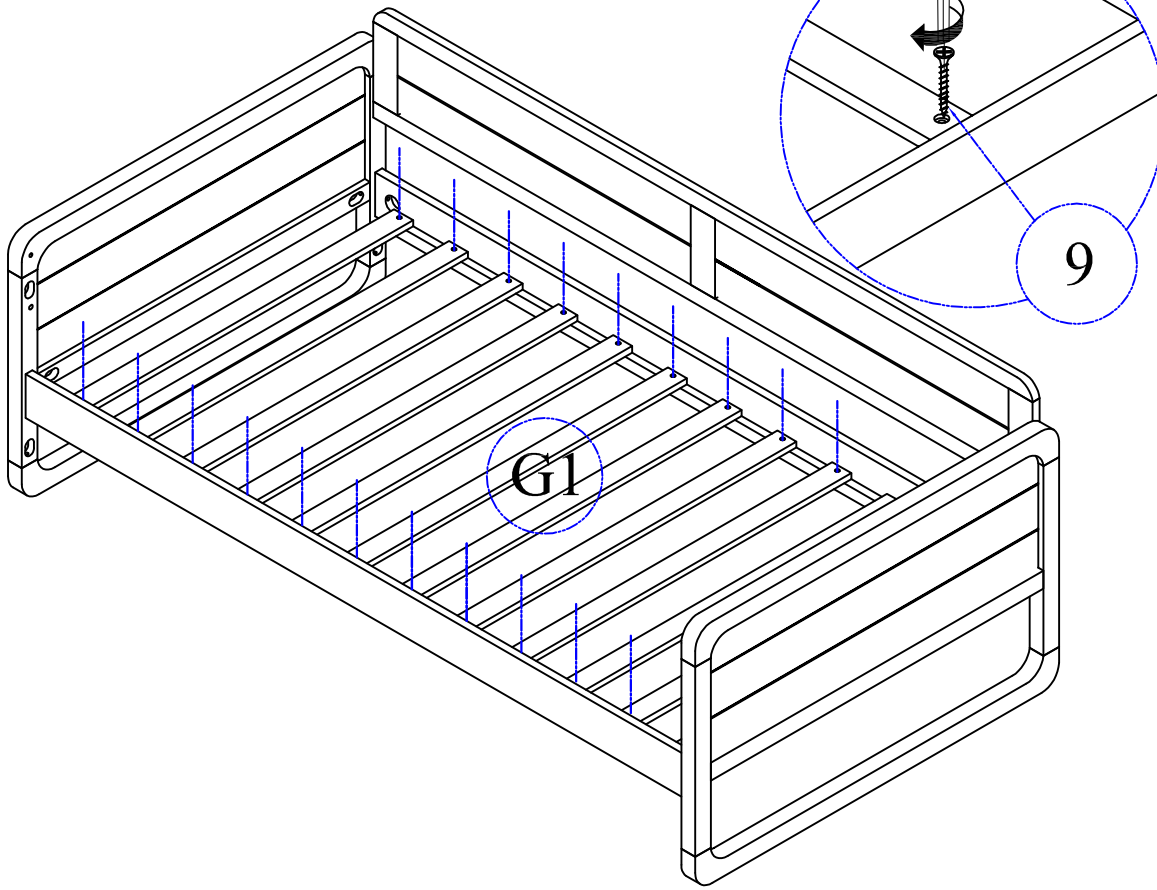
5  
  
 Wood dowel  
 Ø10 \* 40 - 10pcs

6  
  
 Hexanon nut =4 pcs

11  
  
 Wrench Metal =1 pc

12  
  
 Stud bolt  
 Ø5/16" \* 75 - 4pcs

### STEP 3



9

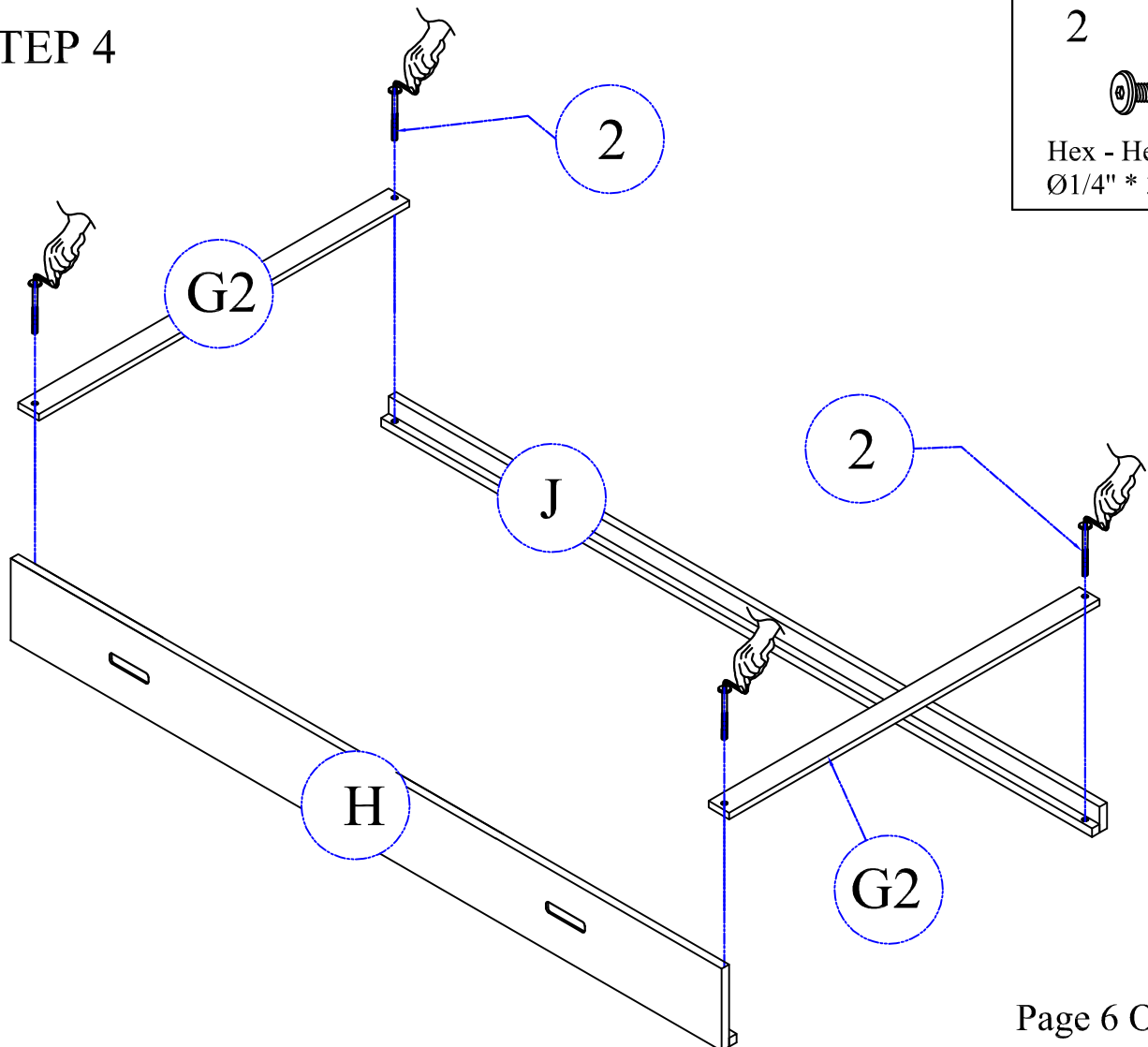


Wood crews  
M4 \* 30 - 24pcs

9

G1

### STEP 4



2



Hex - Head bolts  
Ø1/4" \* 30 - 4pcs

2

G2

J

2

H

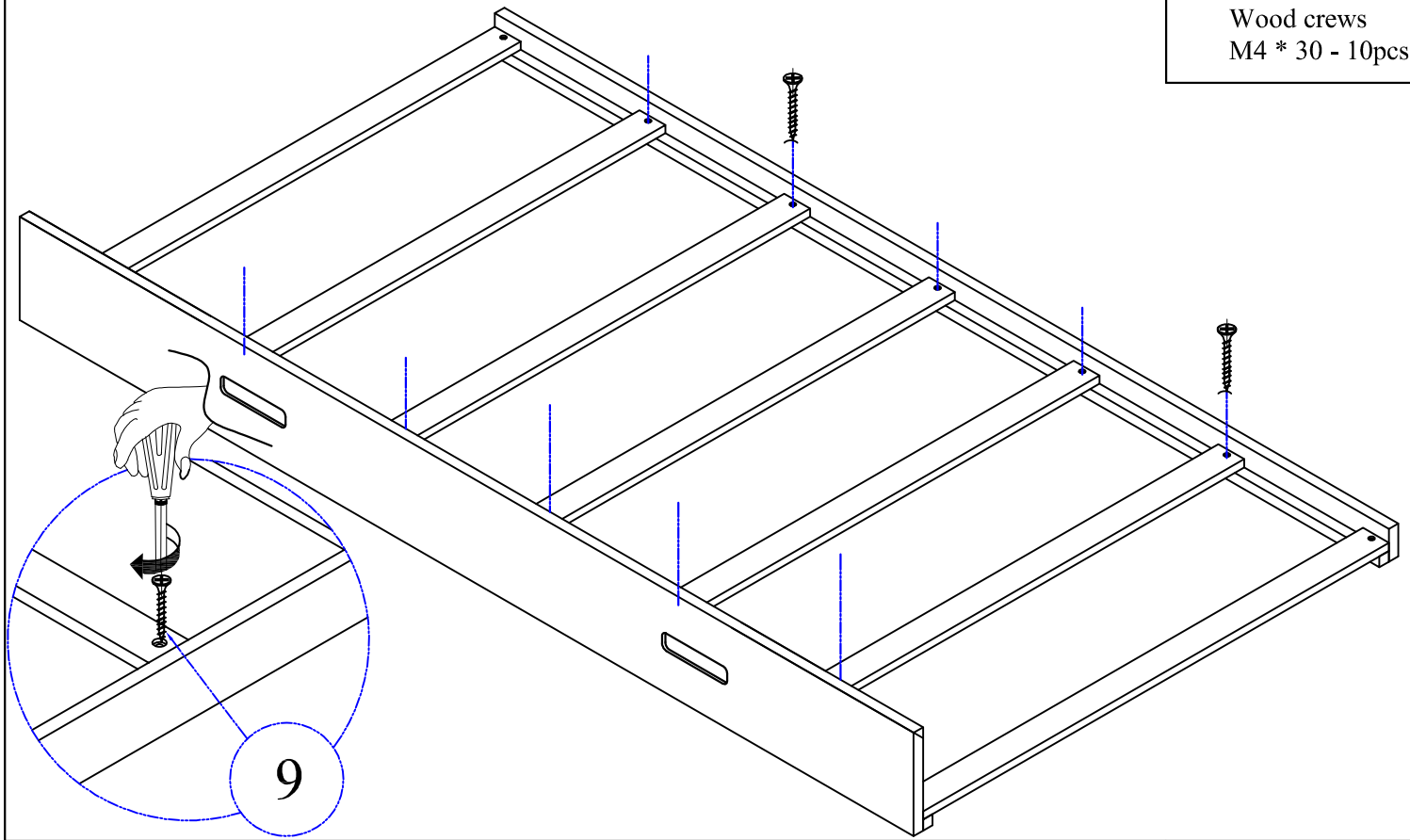
G2

# STEP 5

9



Wood crews  
M4 \* 30 - 10pcs



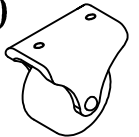
# STEP 6

8

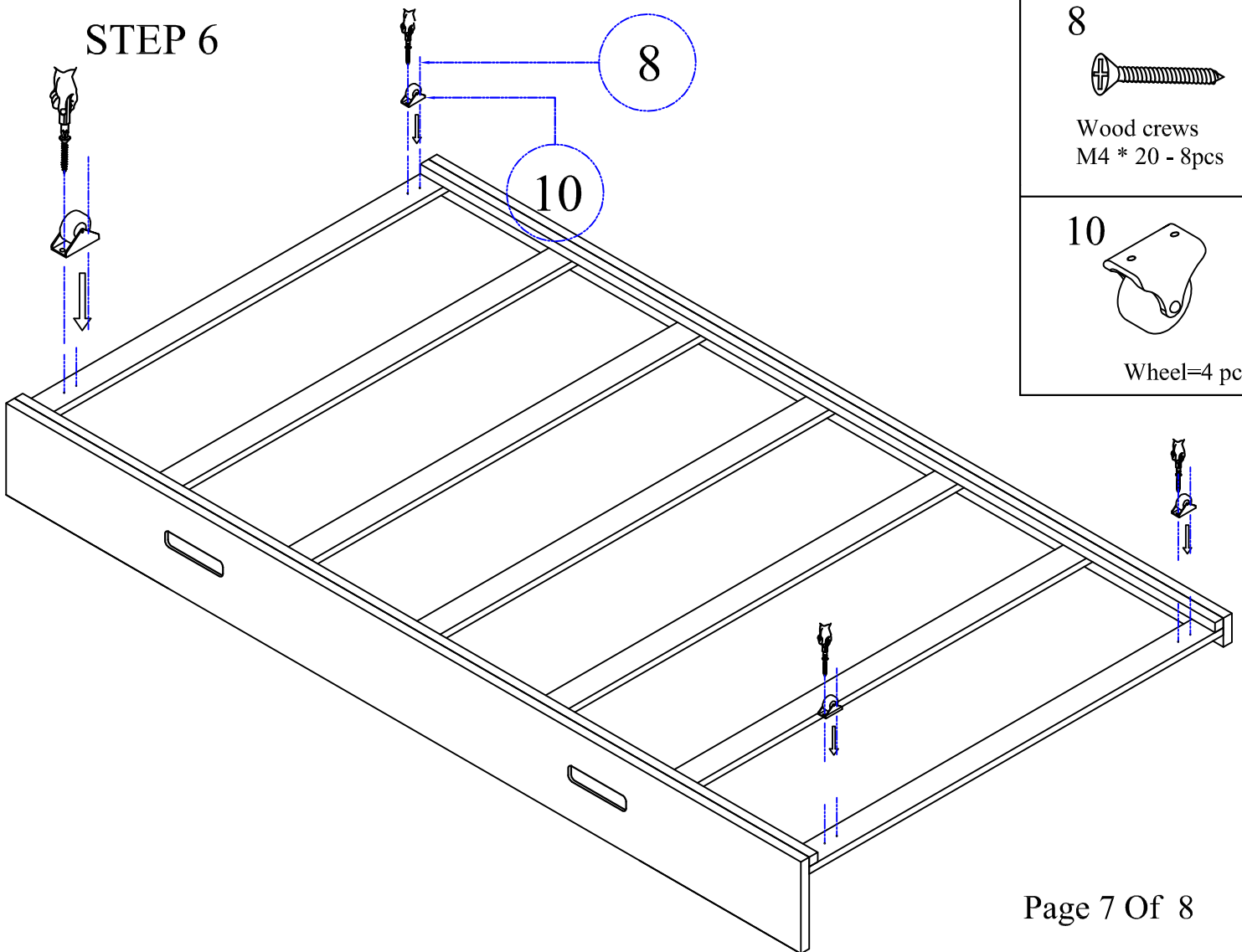


Wood crews  
M4 \* 20 - 8pcs

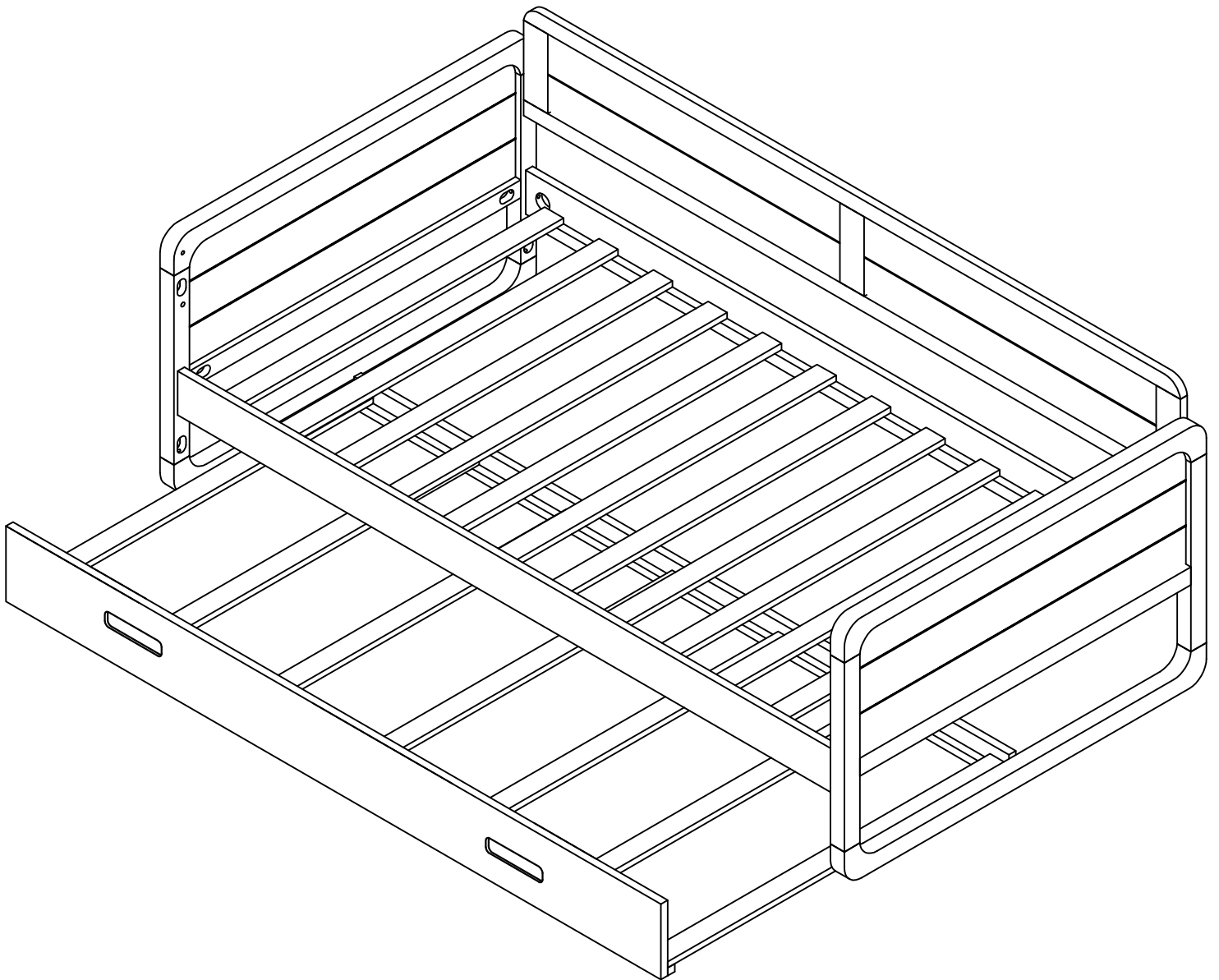
10



Wheel=4 pcs



STEP 7



COMPLETED