

# DREAMS

IDEA

Instruction Manual



DREAMS/DEA

NO.LS0003

# ABOUT US

*D*REAMSIDEA IS A ONE-STOP HOME

FURNISHING AND SERVICE COMPANY BASED IN USA.

WE ARE DEDICATED TO BRINGING YOUR DREAM HOME TO LIFE.

OUR SERVICES COVER FROM DESIGN, PRODUCTION,

DIRECT SELL, STORAGE, AND TRANSPORTATION.

IF REALITY IS THE NEAR SHORE

AND IDEALISM THE FAR SHORE,

*D*REAMSIDEA

AS THE FERRY BETWEEN THEM,

EAGER TO ACCOMPANY YOU ON A JOURNEY

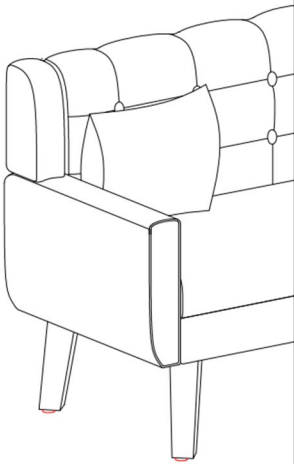
TO YOUR IDEAL HOME.



ITEM NO.LS0003

# WARRANTY

We strive to offer high quality product and we also try our best to satisfy each customer that order from us, no matter on products or services as needed. Each customer receives a record of their order, such as the order number or item receipt. For any items that are out of warranty period, you may still be able to purchase the replacement parts from our company if they are available.



Are you having difficulty  
with assembly? Missing parts?

Please contact us : [info@firstopintl.com](mailto:info@firstopintl.com)

Tel:(562)-781-3327

send an email with your order No. to us

For return, please check the return policy with  
the retailer or platforms you bought from.

Appreciate your purchasing from us.

Pop up your life by our furniture !

# MAINTENANCE AND WARNING

Please read the manual thoroughly  
before you start installing.

Please keep the product away from  
sharp object.

Packaging and small parts may have  
chocking hazard, please keep them away  
from children and pets.

Please clean the product according to each  
clean code, check the product description  
for more information.

Please keep the product away  
from fire.

If you have any other questions, please  
contact us, we will be glad to help you out.

If the product is placed under direct  
sunlight, the pattern or color might fade  
away overtime.

Check the product periodically to make  
sure everything is secured and tightened.

Always use proper tools for installation.

Do not jump on the product.



Around 45 min

# PRDOUCT DESCRIPTION

You don't have to worry about its durability! Our small couch with a sturdy wooden frame and high-quality springs can easily support the weight of 400 lbs.

This mid-century modern couch lights up your whole home with modern craftsmanship and classic aesthetics.

Stylish tufted linen upholstery with a mid-century low-profile design, adds more features to your living room.

Whether plopping down after a long day at work, settling in with a steaming cup of coffee, or delving deep into conversation with friends, our loveseats are a welcome presence in your home.

Our couches assembly is very simple, just need to install a cushion and seat from the top down, and 5 chair legs using screws to fix them. It can be installed in less than 15 minutes.

Dream

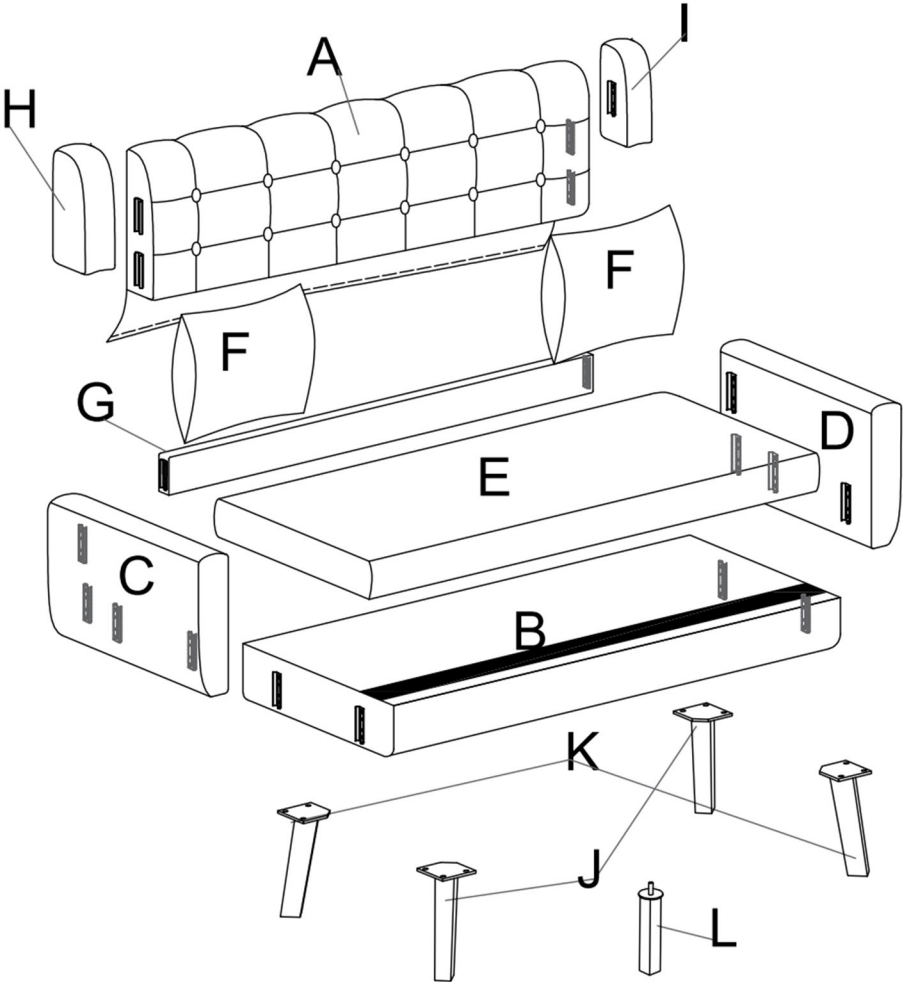


House

# EXPLODED VIEW

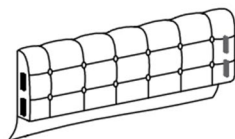


the product's left and right are determined by sitting posture



# PARTS

A\*1



Backrest

B\*1



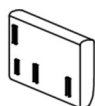
Seat frame

C\*1



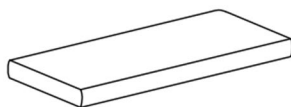
Right armrest

D\*1



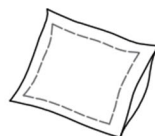
Left armrest

E\*1



Seat cushion

F\*2



Pillows

G\*1



Back rail

H\*1



Right wing

I\*1



Left wing

J\*2



Legs

K\*2



Legs

L\*1



Middle Leg

# HARDWARE

## TOOL LIST

NOTE: Designated with (★) We provide additional spare parts in the hardware package

①\*12



★ M6\*20mm  
Bolt

②\*12



★ Flat washer

③\*1



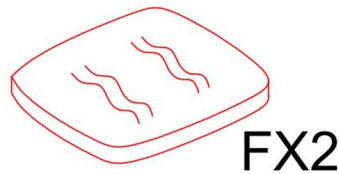
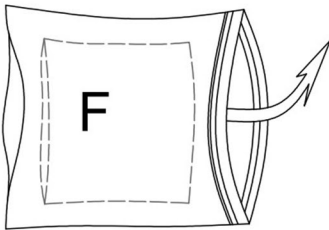
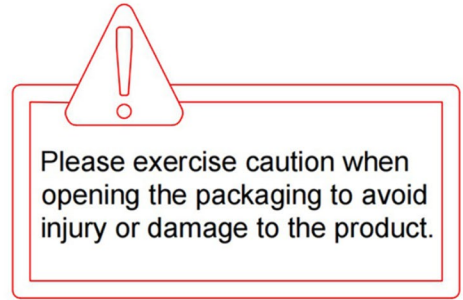
Allen key

Please make sure all hardware&packing material fitting the list. Especially some small accessories may be missing during transportation. Please contact us if you have any question.

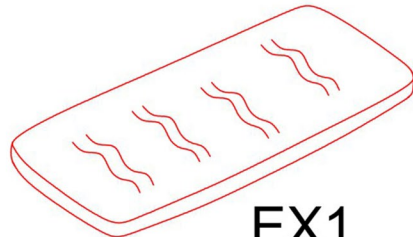
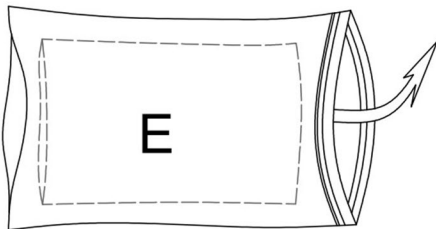
# step 1 ---Cut the plastic air compression bags

Take out all cushions (E & F) from the air compression bags, after taking out, please allow them to recover to their original shape.

Notice: the recovery process might take up to **48** hours, you may gently slap on them to speed up the process.



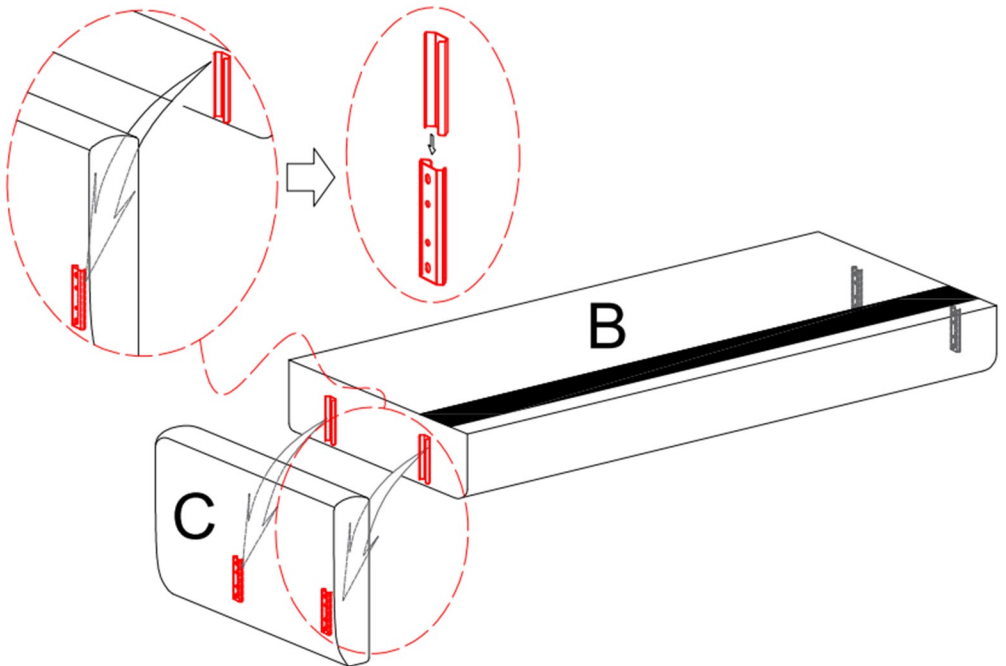
FX2



EX1

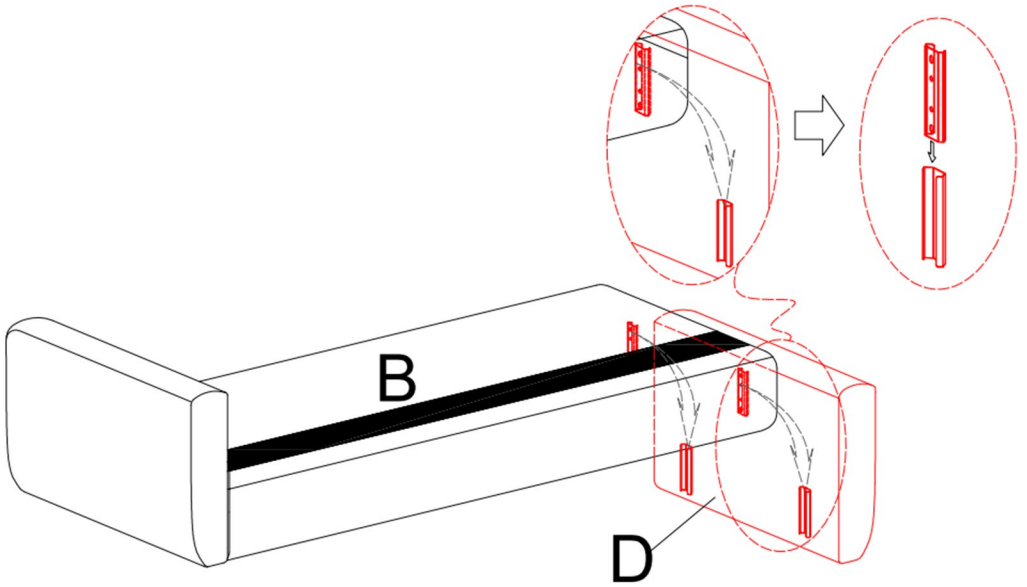
## step 2 ---Connect the armrest (C) with the seat frame (B)

Connect the armrest (C) with the seat frame (B) by inserting the connectors on the side of the frame into the slots on the armrest, as shown. Make sure both of the connectors are aligned correctly.



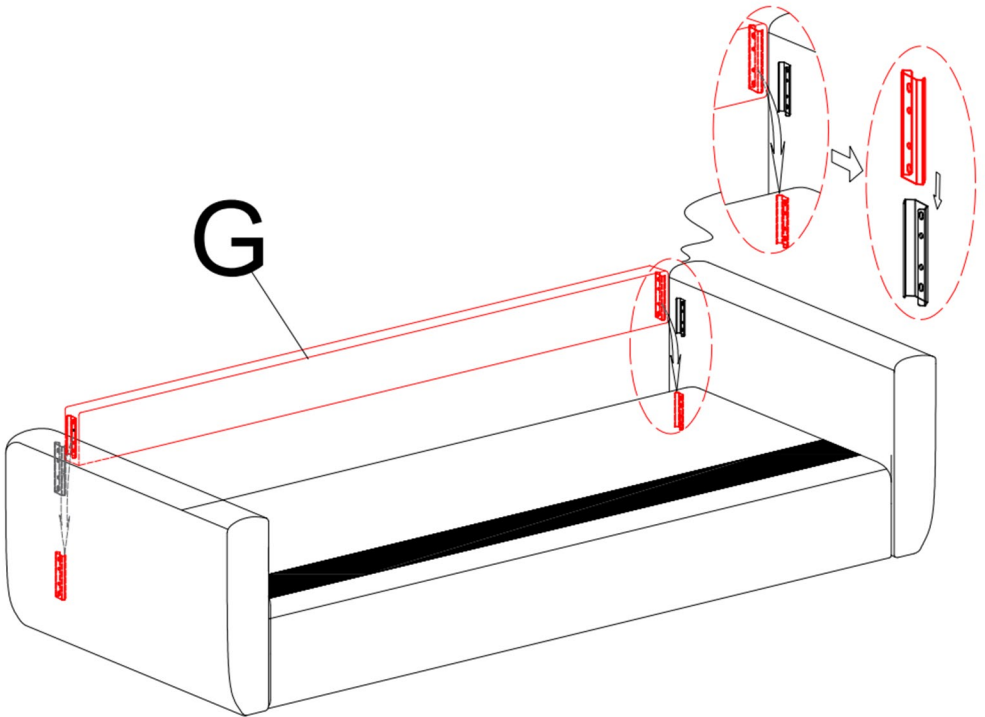
# step 3 ---Connect the armrest (D) with the seat frame (B)

Connect the armrest (D) with the seat frame (B) by inserting the connectors on the side of the frame into the slots on the armrest, as shown. Make sure both of the connectors are aligned correctly.



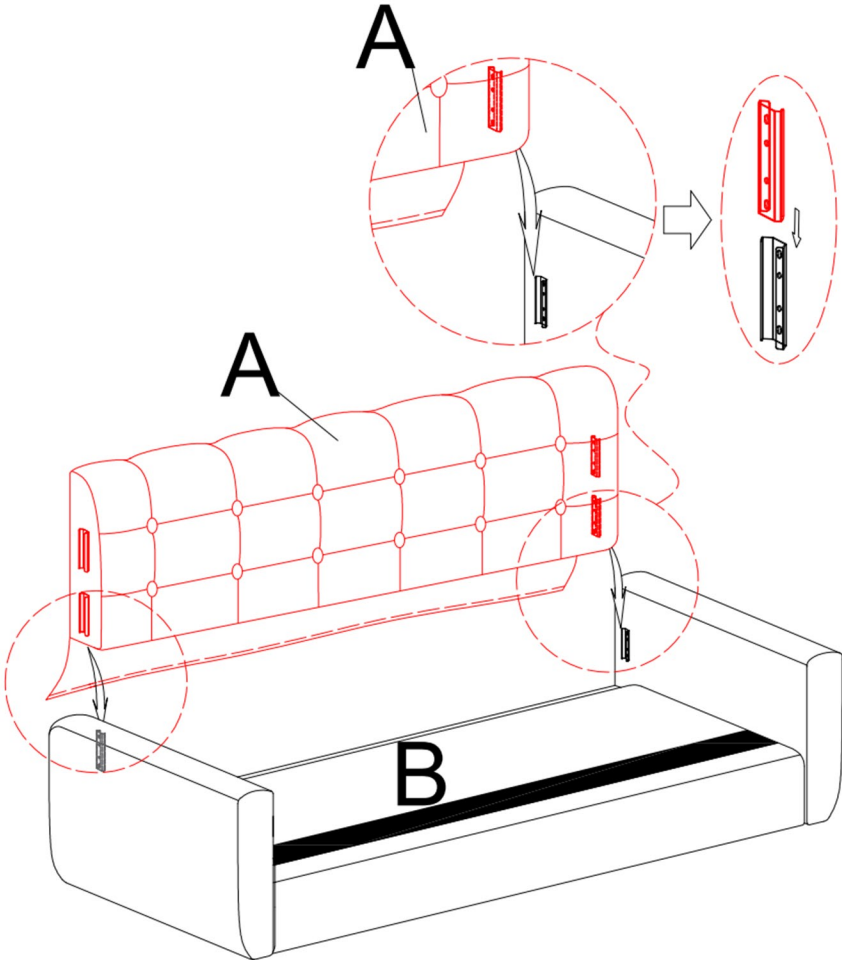
# step 4 ---Insert the back rail (G)

Insert the back rail (G) into both armrests (C & D), make sure the connectors on both sides are correctly aligned before pushing down.



# step 5 ---Install the backrest (A)

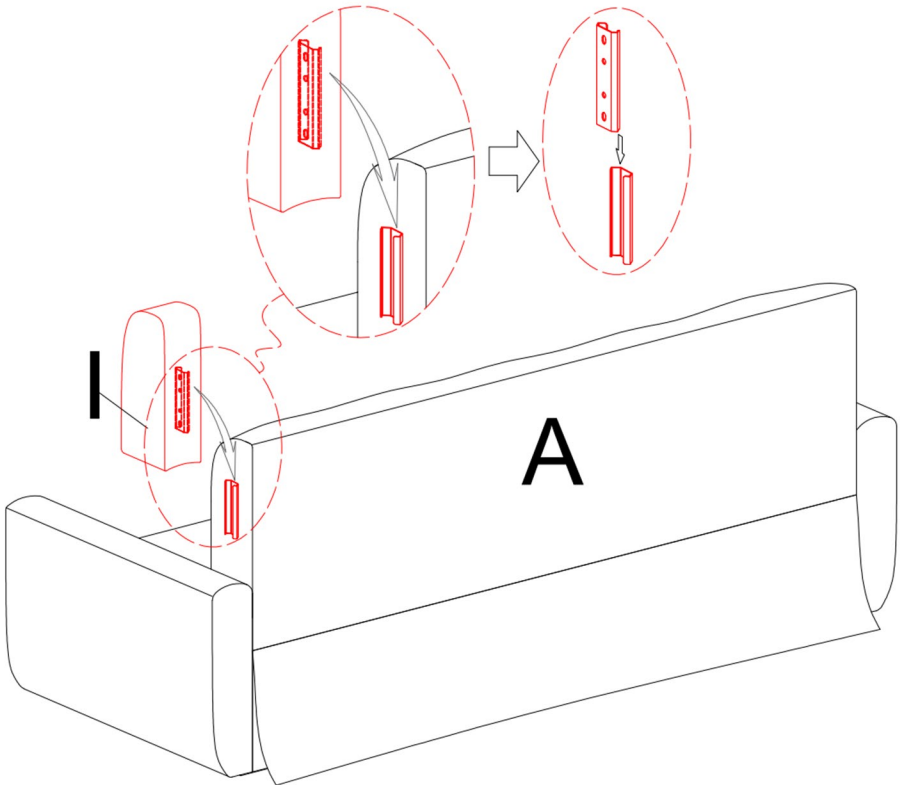
Install the backrest (A) onto the seat frame (B) by inserting the connectors on the sides of the backrest into the slots on the armrests, as shown. Make sure all the connectors are correctly aligned before pushing down.



# step 6 ---Install the Left wing (I)

Install the left wing (I) to the backrest (A) by sliding the connector into the slot on back as shown, simultaneously press down from the top of wing until it is fully assembled.

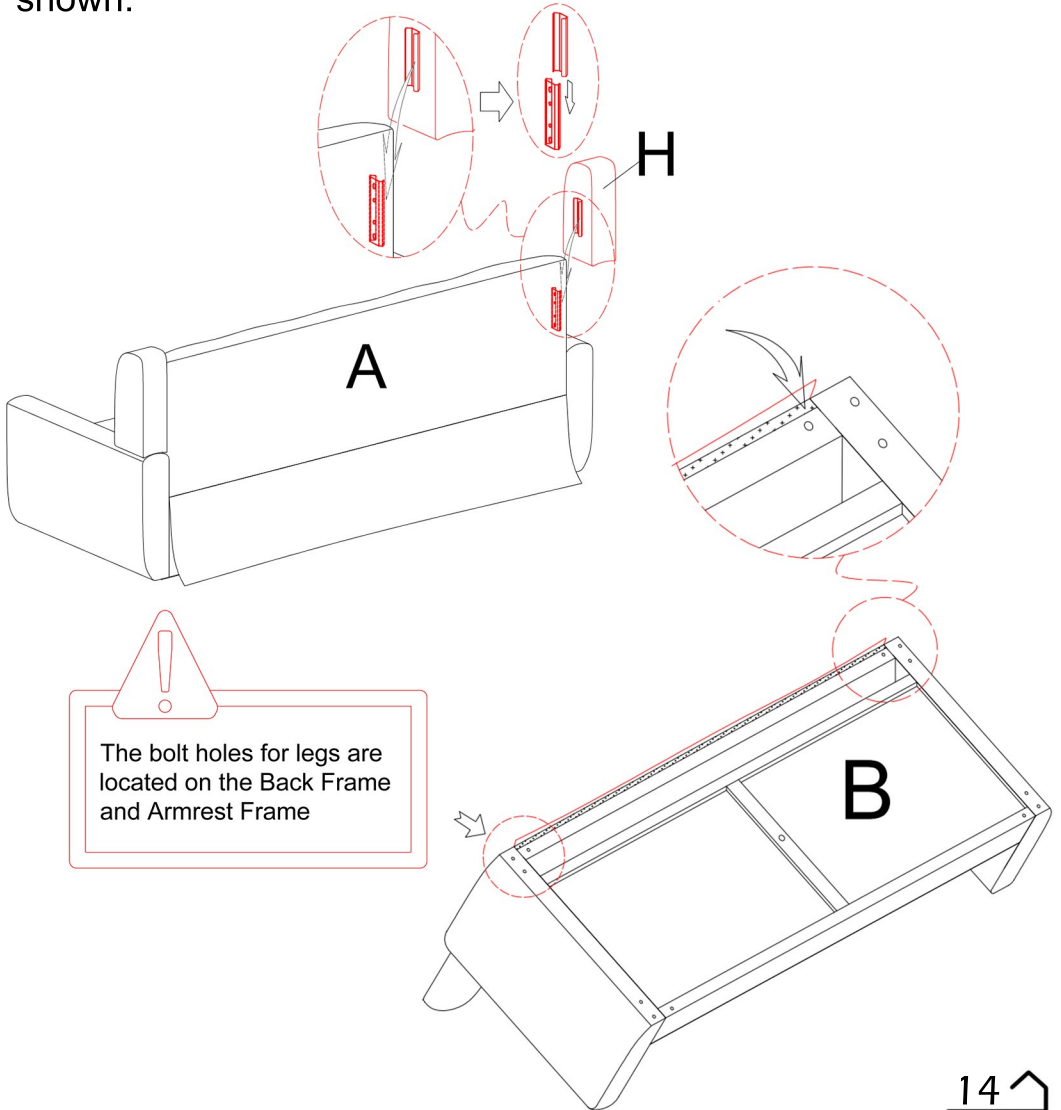
NOTE: The connect parts are metal,caution should be taken during use to avoid cutting the fabric or other materials.



# step 7 ---Install the Right wing (H)

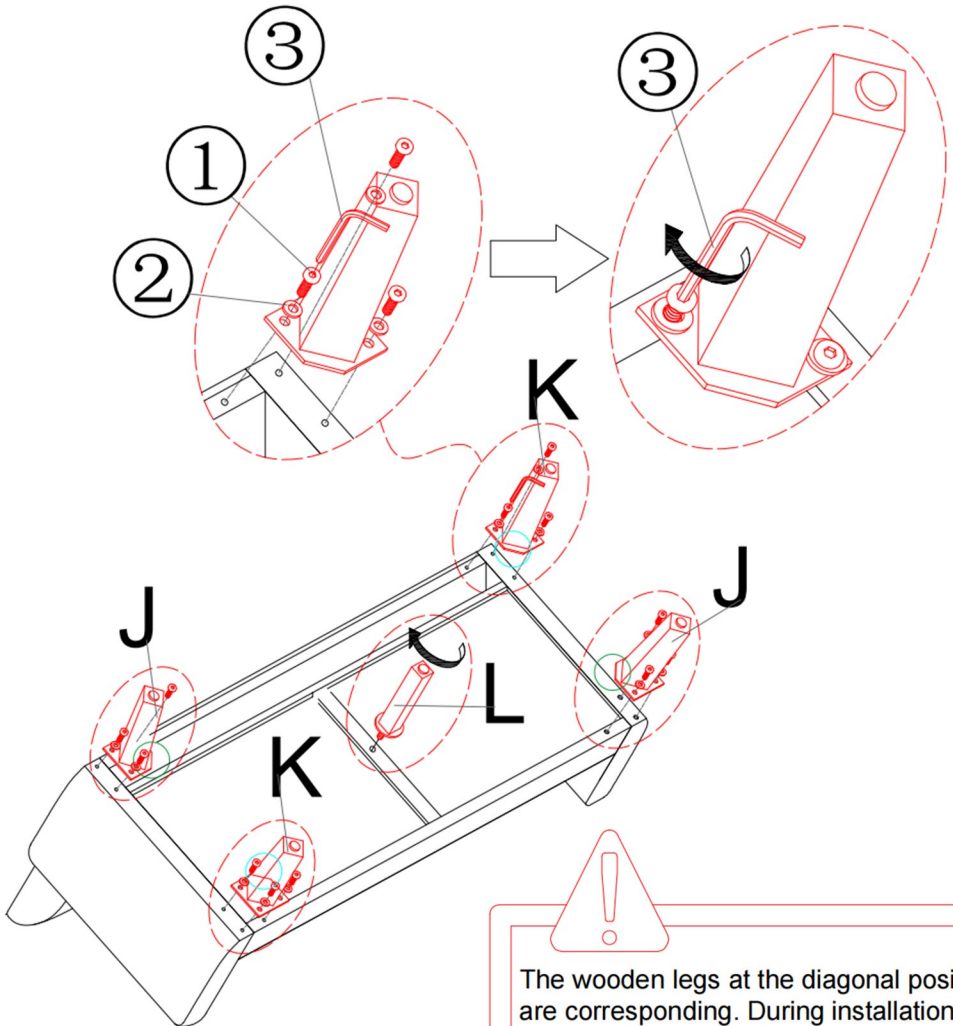
Install the right wing (H) to the backrest (A) by sliding the connector into the slot on back as shown, simultaneously press down from the top of wing until it is fully assembled.

Stick on the Velcro cover on the back of the seat frame (B) as shown.



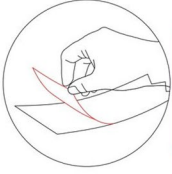
# step 8 ---Install the Legs (J&K&L)


Install all the legs (J & K & L) onto the seat frame, place one flat washer (2) on each bolt first, then using the allen key (3) provided to tighten the bolts (1). Do not forget to twist on the middle leg (L).

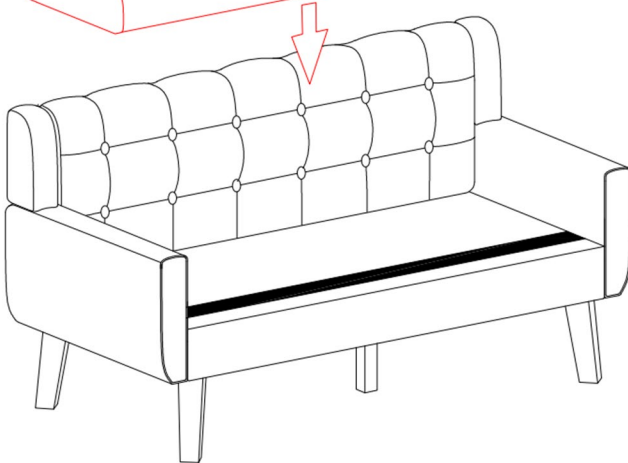
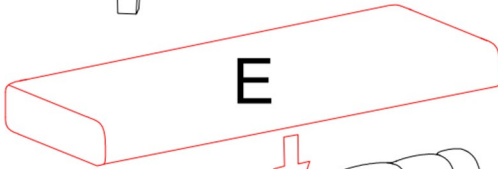
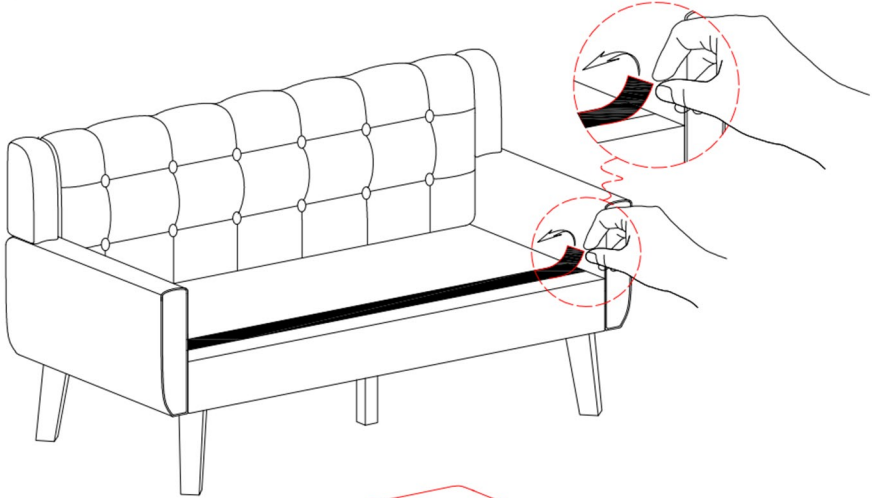


# step 9 ---Place the seat cushions (E)

Place the seat cushions (E) onto the sofa.

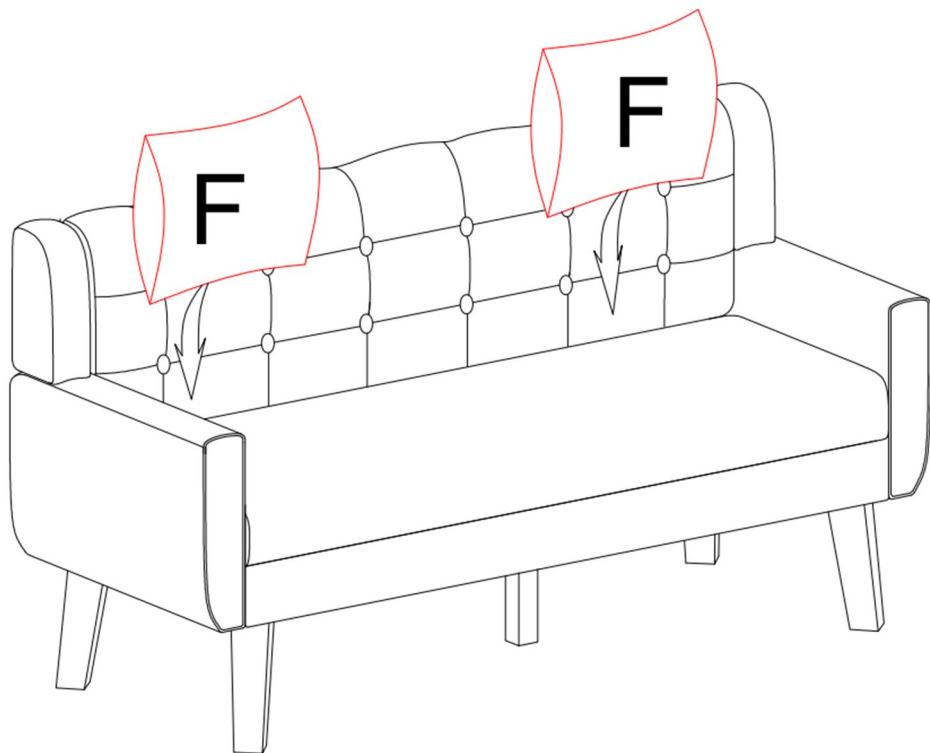


  
Tear off the Velcro strip cover before pasting.



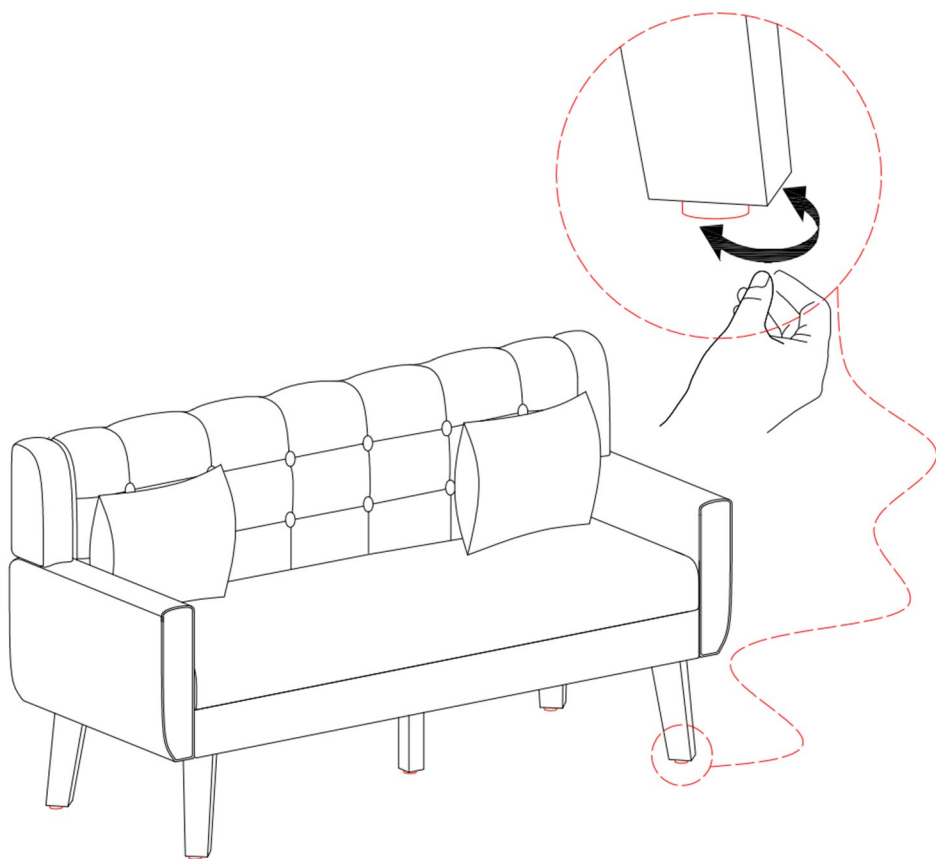
# step 10 ---Place the Pillows (F)

Place the Pillows (F) onto the sofa. The assembly is complete!  
Thank you for choosing our product.



# step 11 ---Adjust the Glides

Please notice, the front legs of the sofa can be adjusted by twisting the leveler to adapt the sofa onto rough ground. Please check before use it.





## ASSEMBLY INSTRUCTIONS

Tel.(562)-781-3327

Please contact us:[info@firstopintl.com](mailto:info@firstopintl.com)

<https://www.dreamsidea.com>