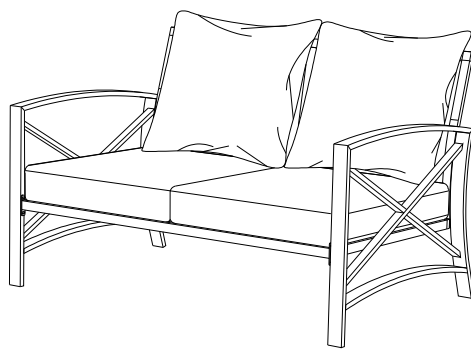
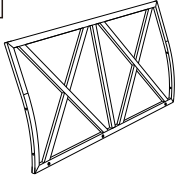

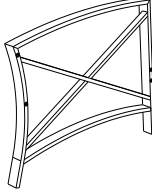
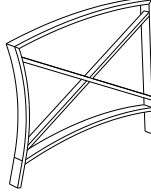
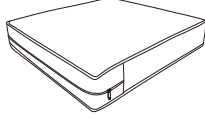
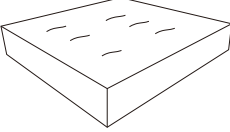
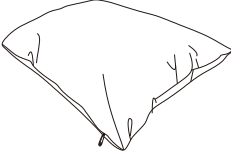
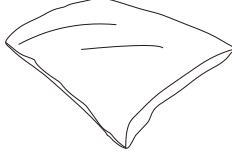


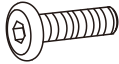
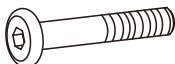
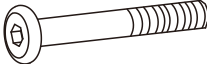


Outdoor Loveseat



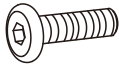
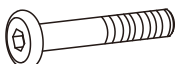
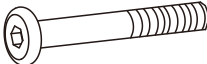

PART LIST

| | | | | |
|---|---|---|---|---|
| A  | B  | C  | D  | E  |
| Back Panel 1 PC | Seat Panel 1 PC | Right Arm Panel 1 PC | Left Arm Panel 1 PC | Cover of Seat Cushion * 2 PCS |
| F  | G  | H  | *Please note cushion covers will ship separately. | |
| Core of Seat Cushion 2 PCS | Cover of Back Cushion * 2 PCS | Core of Back Cushion 2 PCS | | |

HARDWARE LIST

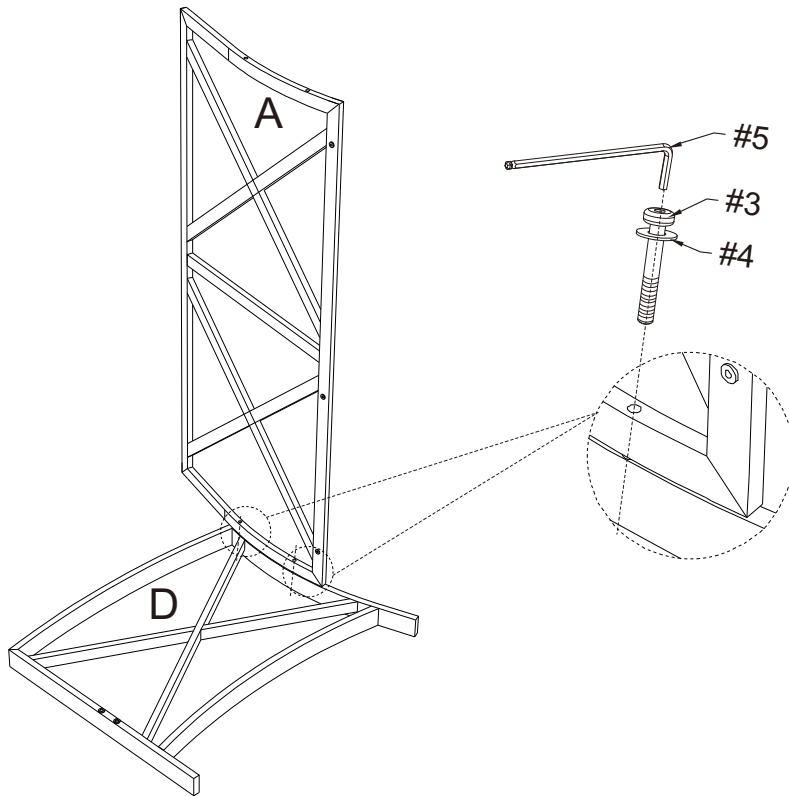
| | | | | |
|--|--|--|--|--|
| #1  | #2  | #3  | #4  | #5  |
| M6*15mm Short Bolt 4 PCS | M6*30mm Medium Bolt 3 PCS | M6*45mm Long Bolt 4 PCS | M6mm Flat Washer 11 PCS | M6mm Allen Wrench 1 PC |

EXTRA HARDWARE LIST

| | | | |
|--|--|--|--|
| #1  | #2  | #3  | #4  |
| M6*15mm Short Bolt 1 PC | M6*30mm Medium Bolt 1 PC | M6*45mm Long Bolt 1 PC | M6mm Flat Washer 1 PC |

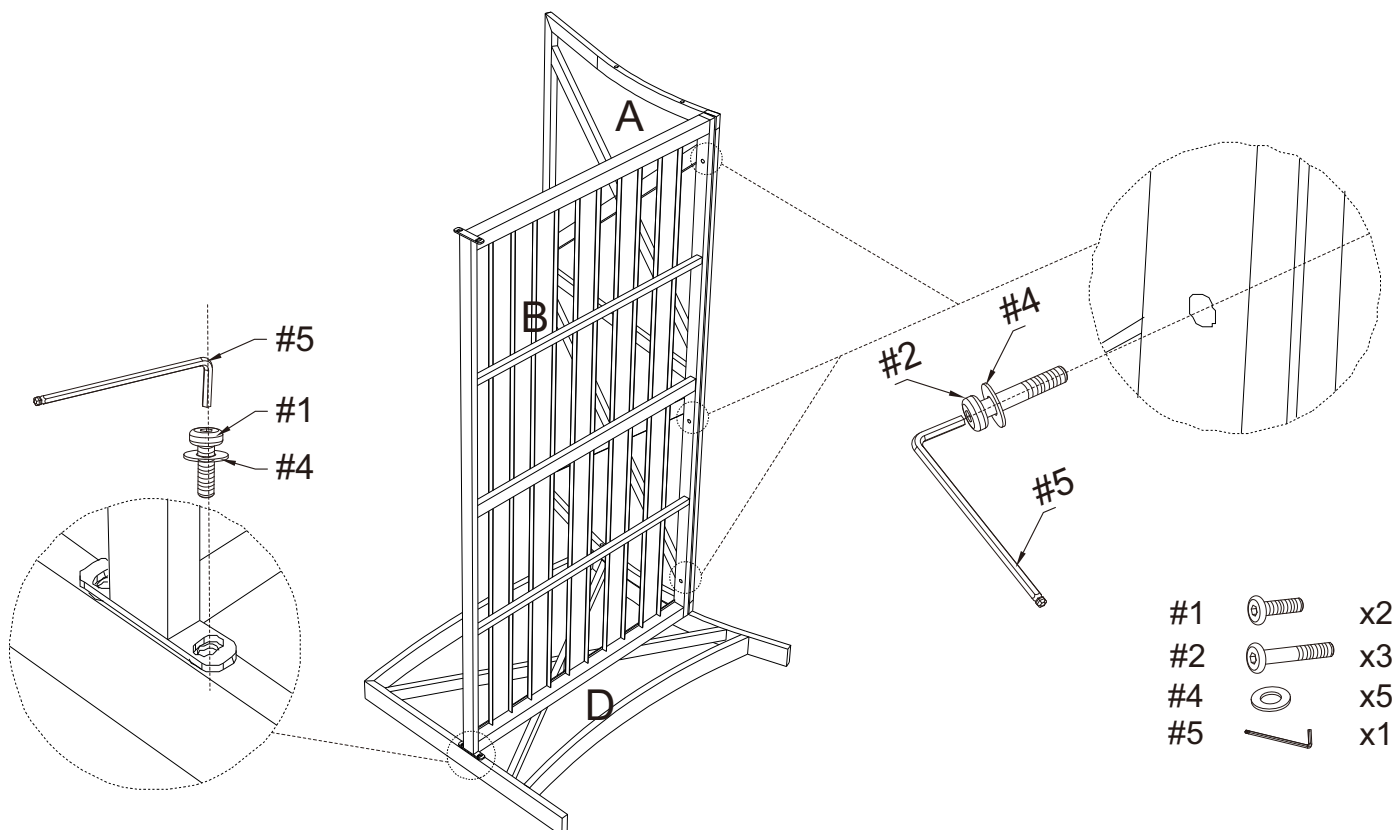
Step 1. Lay left arm panel (part D) down on a soft flat surface, such as carpet, as shown below. Attach back panel (part A) to left arm panel (part D) using long bolts (part #3), flat washers (part #4) and allen wrench (part #5).

NOTE: Please do not fully tighten bolts until unit is fully assembled.



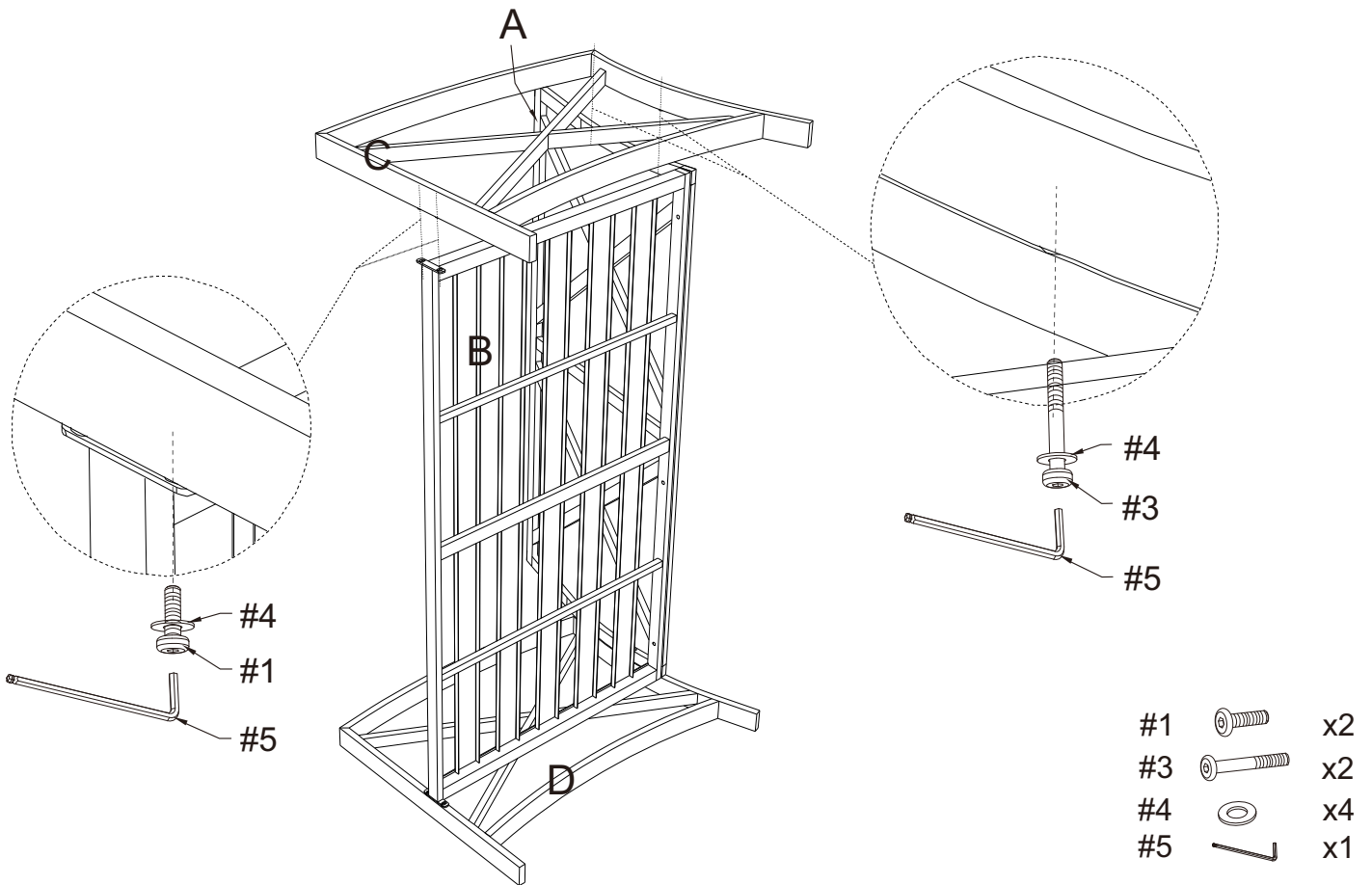
Step 2. Attach seat panel (part B) to back panel (part A) and left arm panel (part D) using short bolts (part #1), medium bolts (part #2), flat washers (part #4) and allen wrench (part #5).

NOTE: Please do not fully tighten bolts until unit is fully assembled.

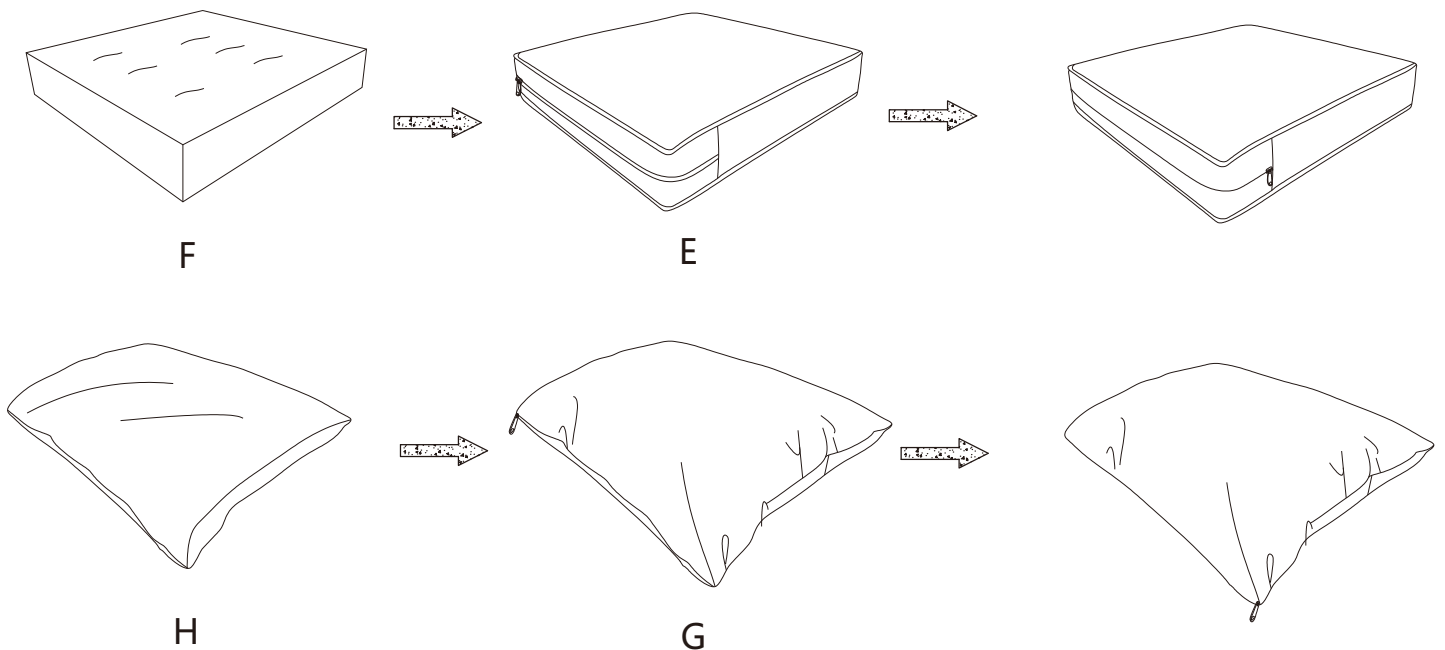


Step 3. Attach right arm panel (part C) to back panel (part A) and seat panel (part B) using short bolts (part #1), long bolts (part #3), flat washers (part #4) and allen wrench (part #5).

NOTE: Please fully tighten all bolts at this time.



Step 4. Insert core of seat cushion (part F) into cover of seat cushion (part E).
Insert core of back cushion (part H) into cover of back cushion (part G).



Step 5. Carefully turn unit upright and add cushions as shown below.

