

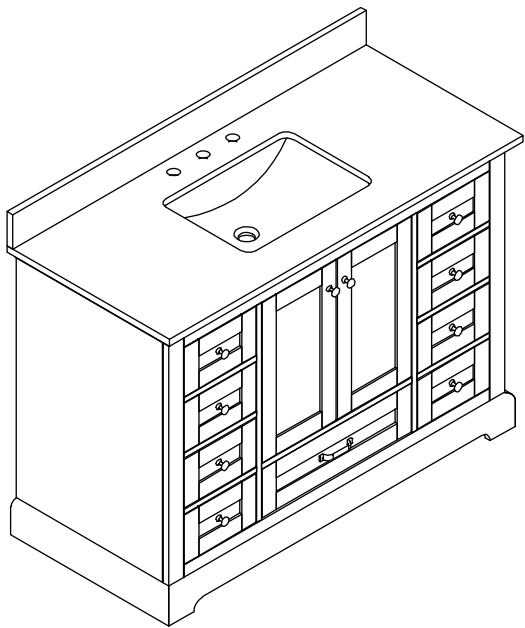
LVD48CM-OAK

BATHROOM VANITY SET

SKU: LVD48CM-OAK

Colors/Finishes: OAK

Nominal Dimension: 48W*22D*34 1/8H inches



Contents

48"Vanity.....PAGE2

48"Vanity Top.....PAGE3

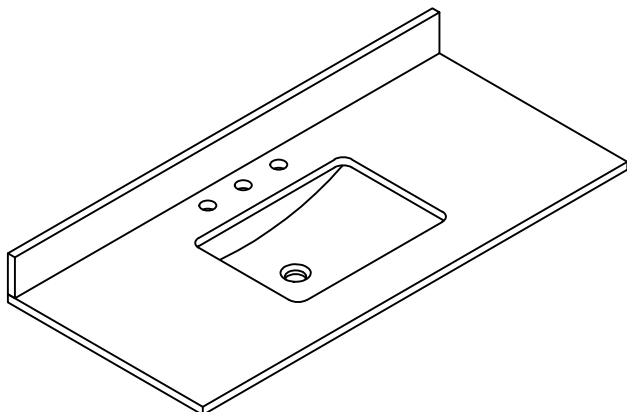
Vanity Installation.....PAGE4

VANITY FEATURES:

1. Material: OAK wood frame, high-quality plywood with OAK veneer.
2. Doors: 2 soft-close doors, Soft-close hinges system.
3. Drawers: 9 soft-close drawers, concealed soft-close sliders.
4. Hardware: Metal Alloy
5. Installation Type: Freestanding
6. Built-in Adjusters: Adjustable height levelers
7. Vanity Top: Cultured Marble with 1 under mount sink
8. Assemble required: No
9. Vanity top Included: Yes
10. Mirror Included: Optional
11. Medicine Cabinet Included: Optional

VANITY TOP FEATURES:

1. Material: Cultured Marble
2. Top Color: white
3. Sink: 1*20" under mount rectangle sink
4. Faucet Holes: Top pre-drilled for 8" widespread faucet holes
5. Sink Certified: CUPC certified
6. Backsplash: 4" backsplash included
7. Faucet Included: No
8. Nominal Dimension(W*D*H): 48W*22D*0.79H inches



LVD48CM-OAK

BATHROOM VANITY SET

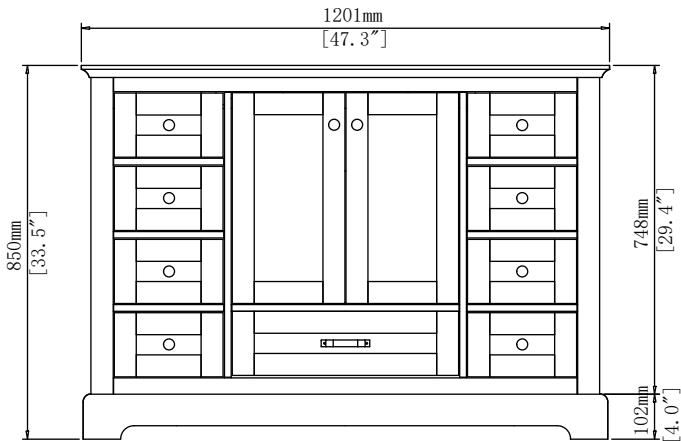
SKU: LVD48CM-OAK

COMPONENTS:

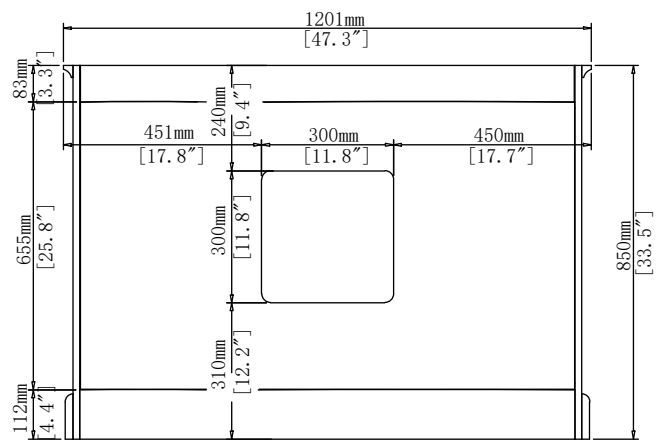
Vanity	LVD48CM-OAK
Vanity Top	CM48WT20SW

PRODUCT DIAGRAMS:

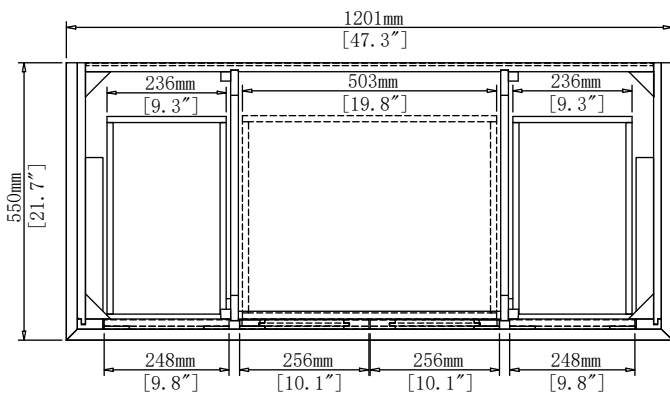
Front



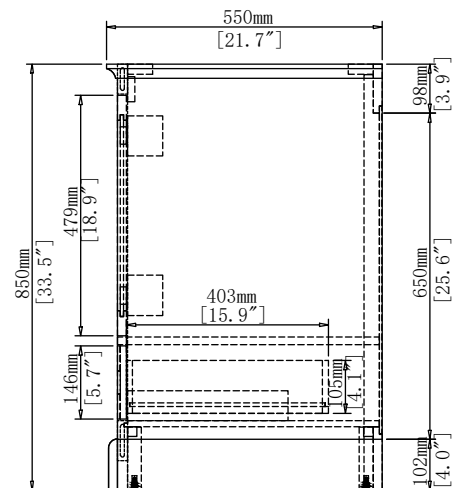
Back



Top



Side

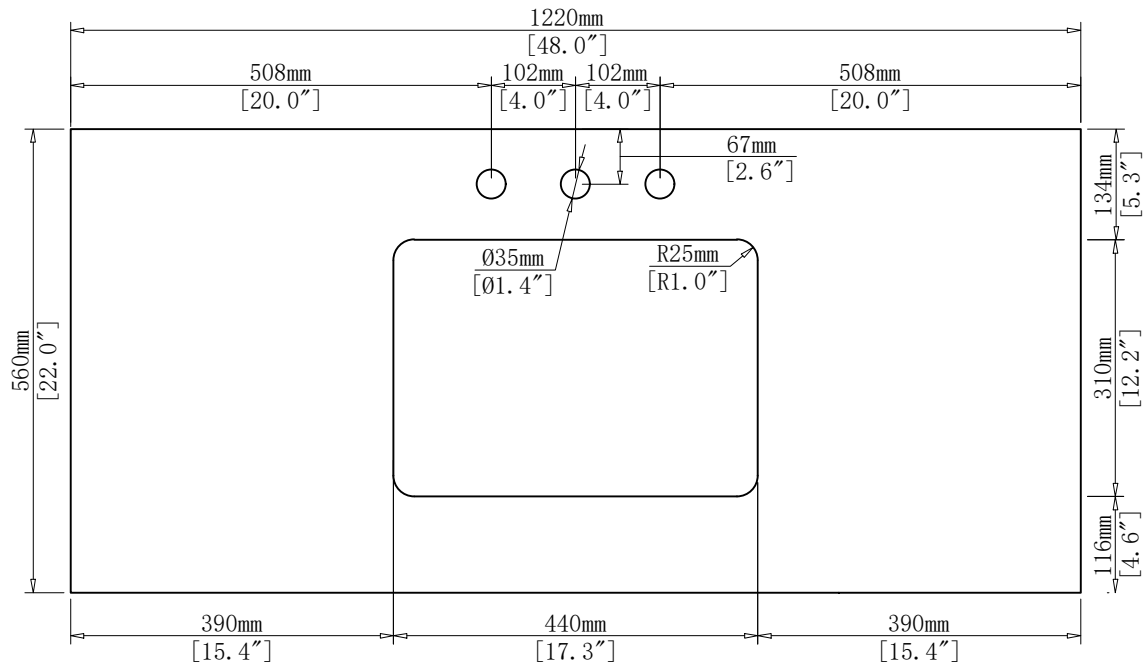


LVD48CM-OAK

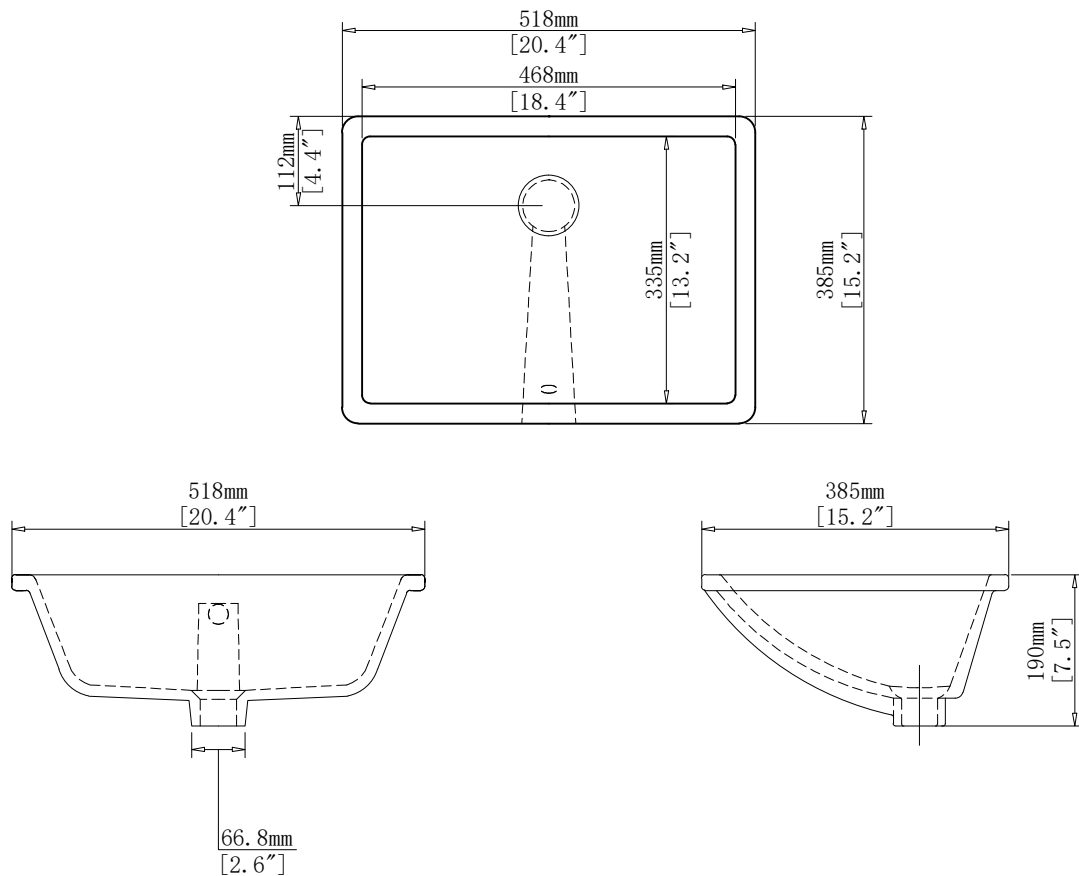
VANITY TOP

With rectangular undermount sink

VanityTop

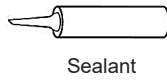


Undermount Sink



Vanity Installation

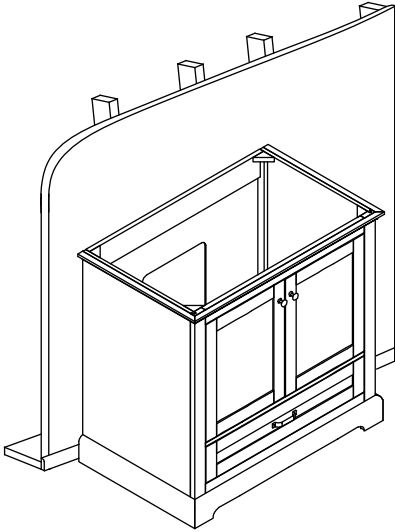
SUGGESTED TOOLS AND MATERIALS:



INSTALLATION INSTRUCTLONS

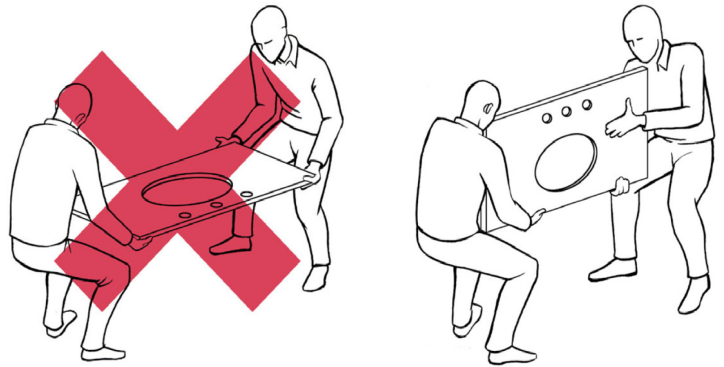
We recommend consulting a professional if you are unfamiliar with installing bathroom fixtures and plumbing .We accept no liability for any damage to the floor,plumbing, vanity cabinet,sink,counter top,or personal injury during installation.

1



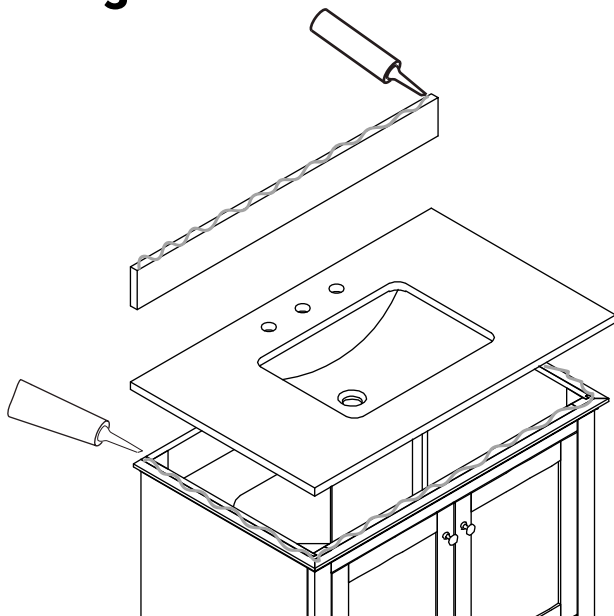
Remove vanity from box and examine vanity for any defects or damage.Carefully place vanity against wall.

2



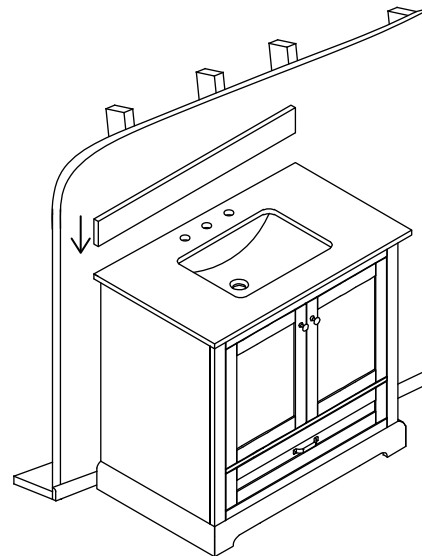
Always use a two man crew,a single person crew is much more likely to break or chip the stone top.

3



Apply bead of quality sealant evenly along the bottom of backsplash and the top of the vanity.

4



Finally,place the bottom side of back splash with sealant onto the counter top and check alignment of back splash.