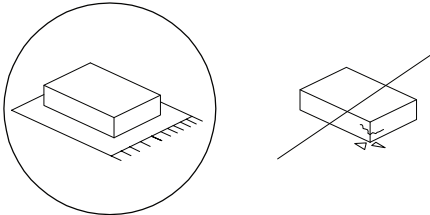
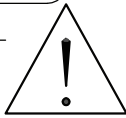
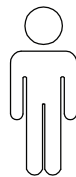
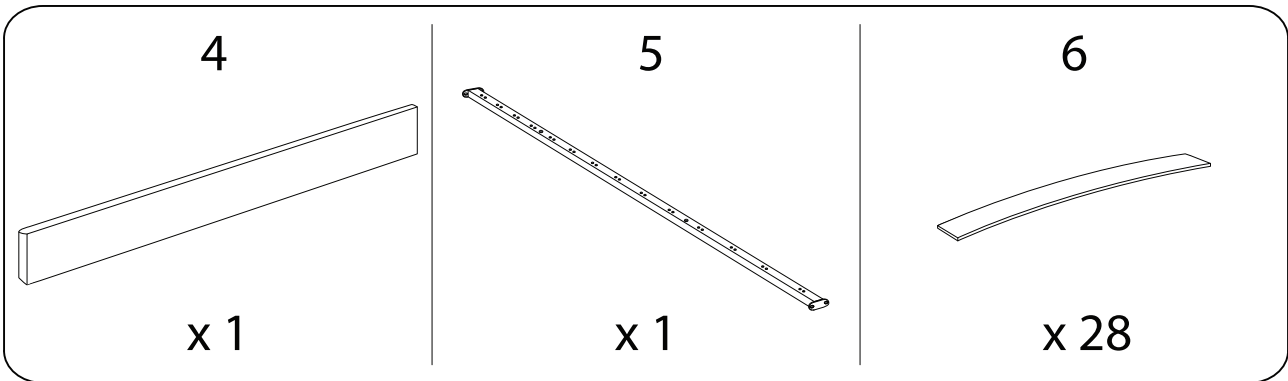
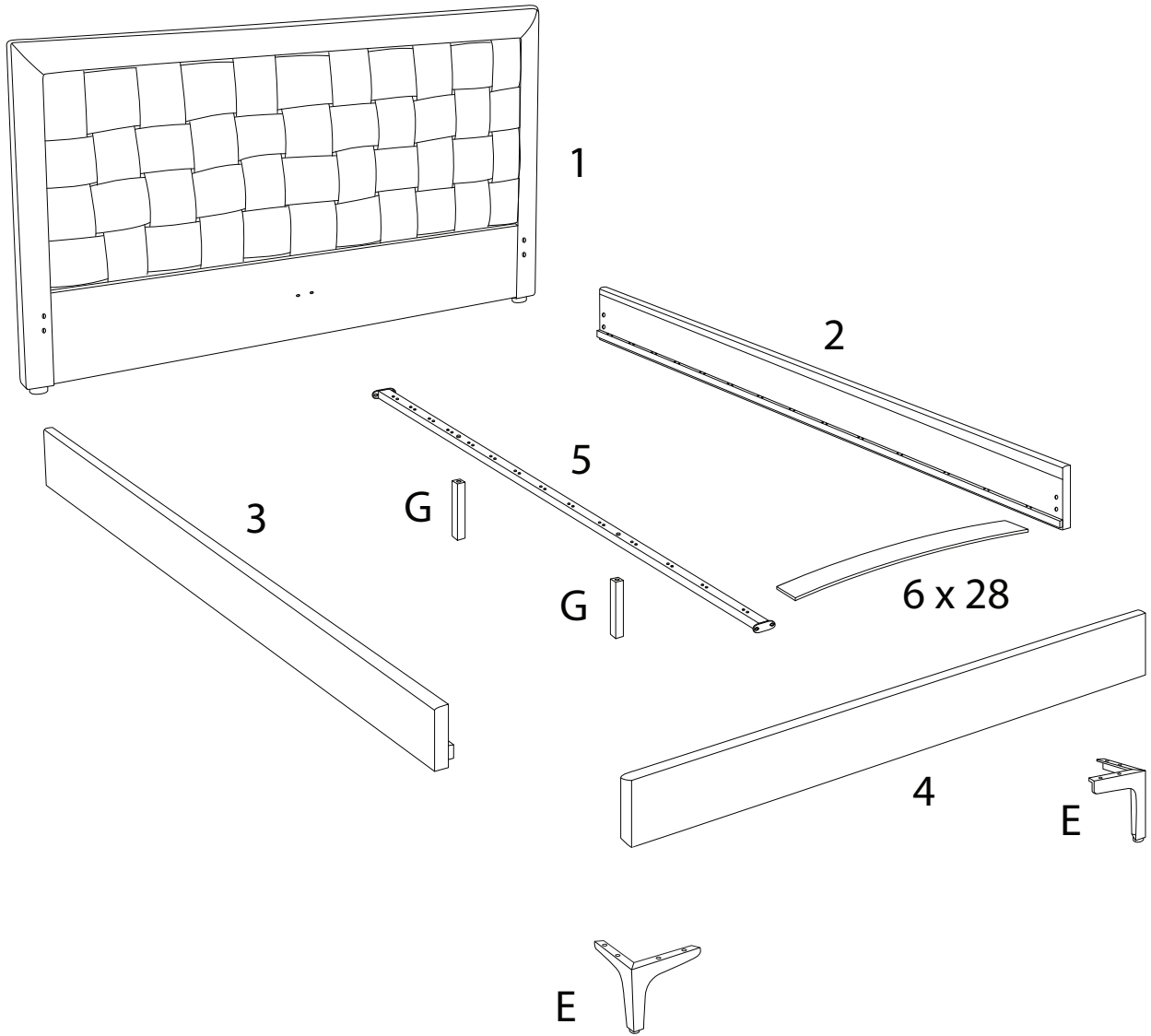
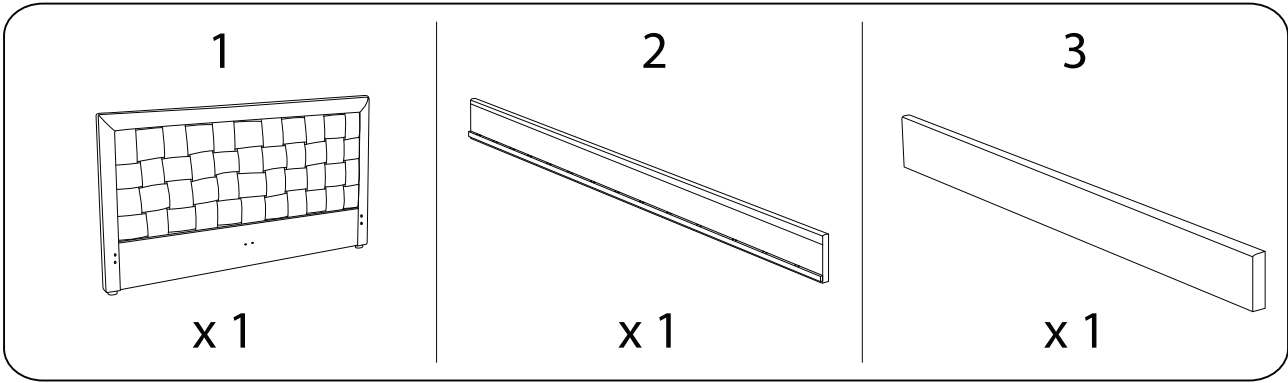
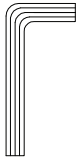

		<p>30'</p>
		
		<p>2</p>

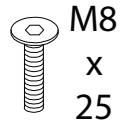


A



x 1

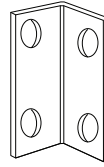
B



M8  
x  
25

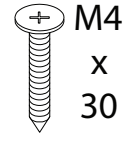
x 20

C



x 4

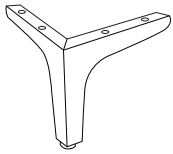
D



M4  
x  
30

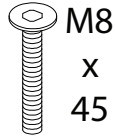
x 8

E



x 2

F



M8  
x  
45

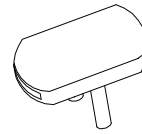
x 2

G



x 2

H



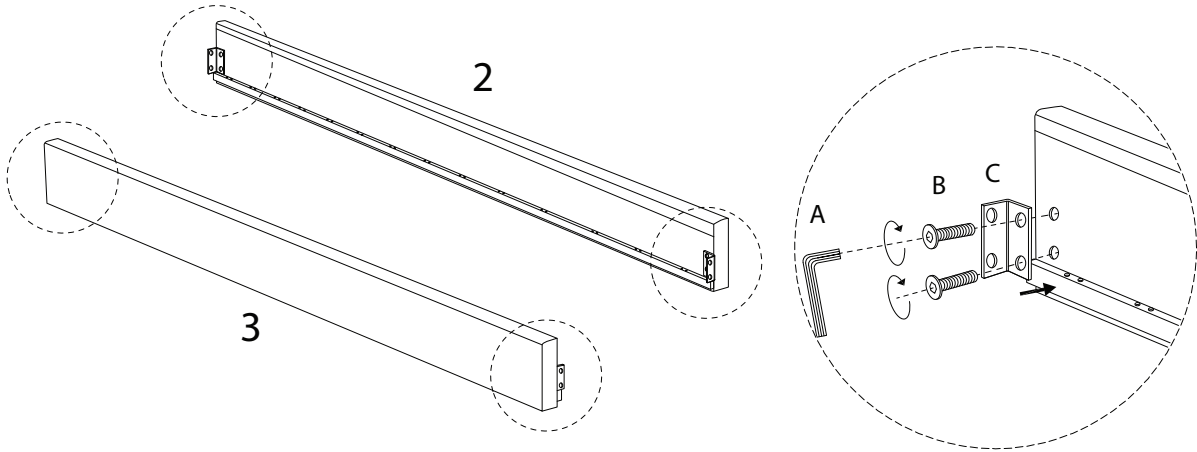
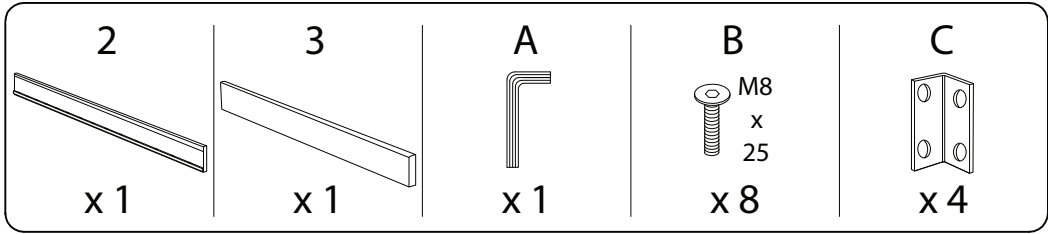
x 14

I

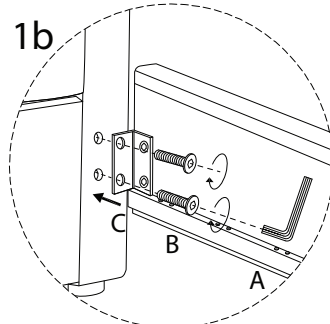
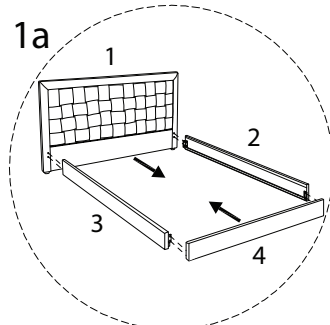
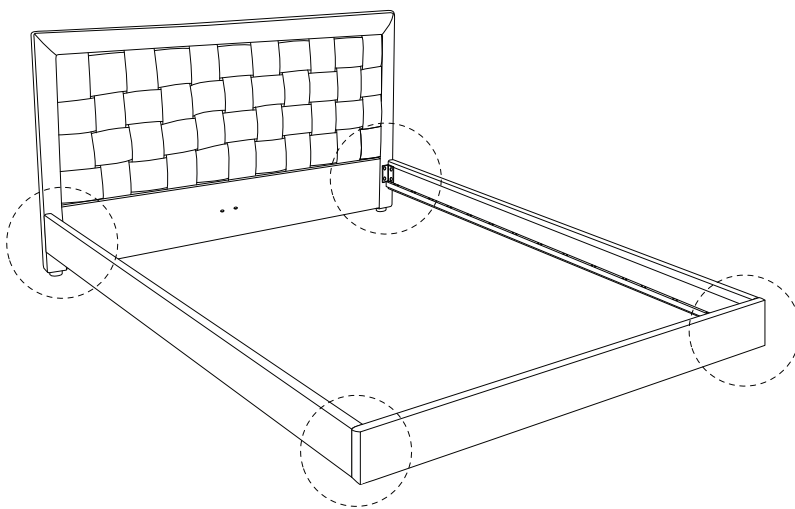
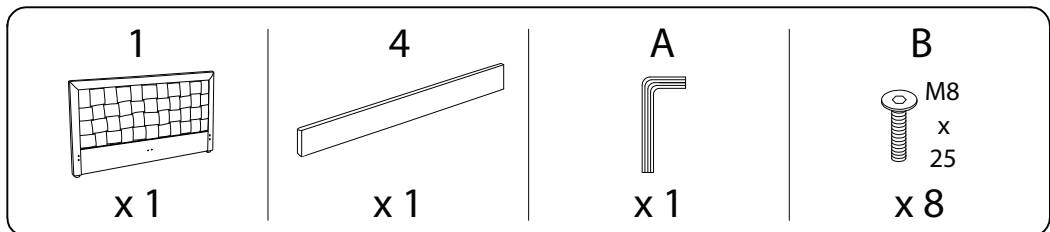


x 28

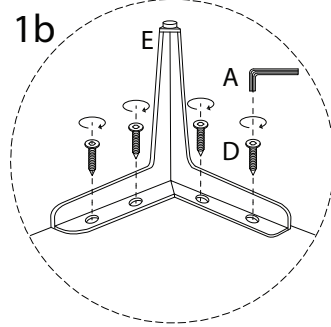
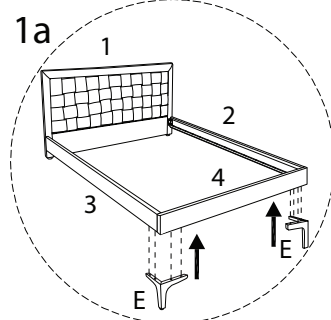
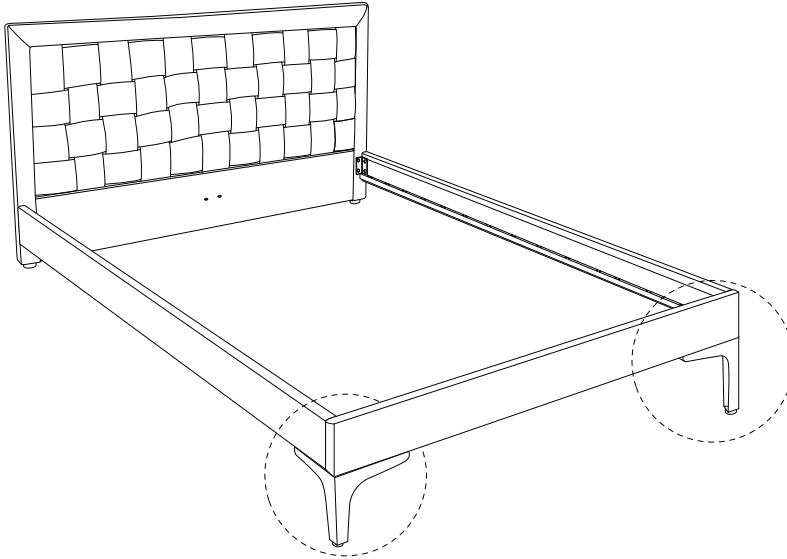
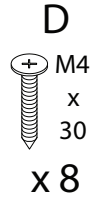
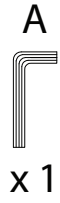
1



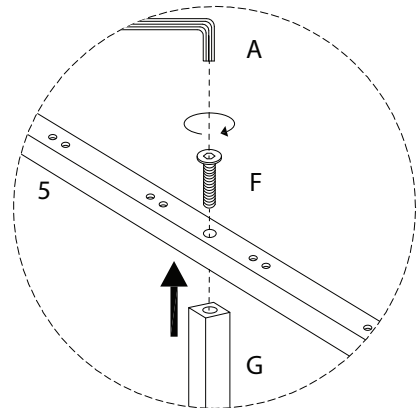
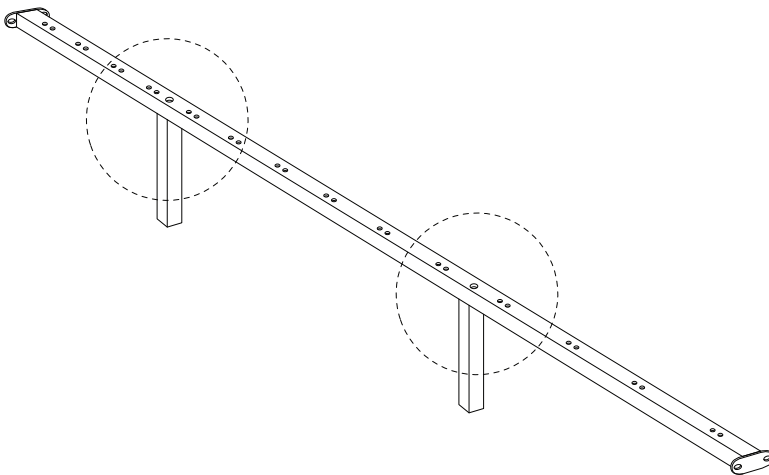
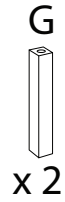
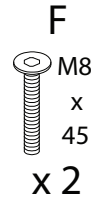
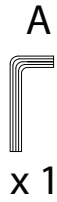
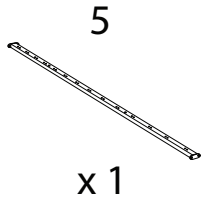
2



3

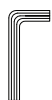


4



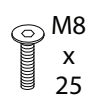
5

A

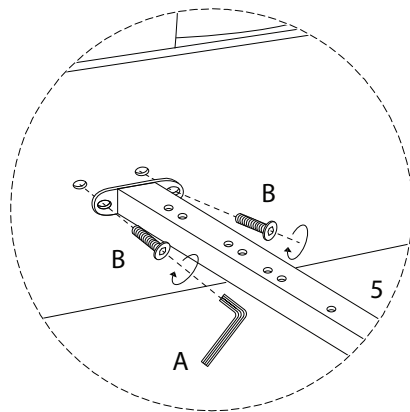
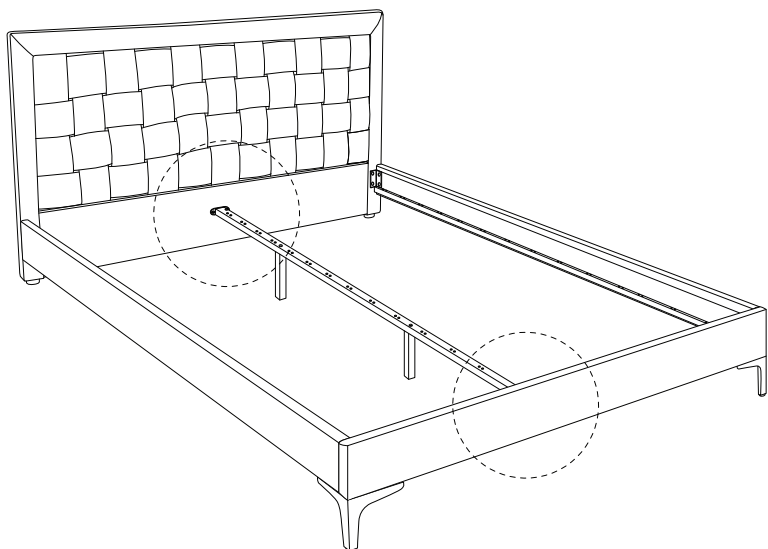


x 1

B

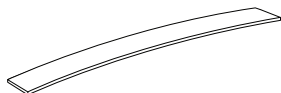


x 4



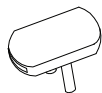
6

6



x 28

H

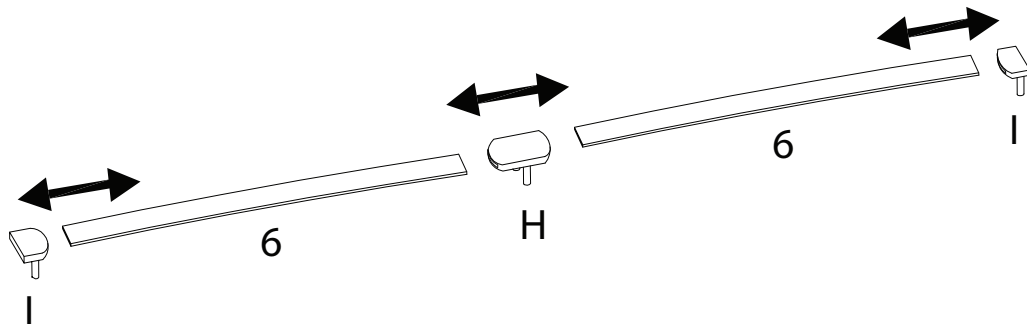


x 14

I



x 28



7

