

Hanging Pegboard

PP-PB25H

Assembly Manual



Better Products for a Better Workspace Experience

We are dedicated to creating high-end ergonomic solutions
for the office with top of the industry support.

Explore Endless Workspace Solutions

www.vivo-us.com



WARNING



If you do not understand these directions, or if you have any doubts about the safety of the installation, please contact our product support team at 309-278-5303 or help@vivo-us.com for further assistance. Check carefully to make sure there are no missing or defective parts. Failure to report missing parts within 30 days may result in denial of free replacement. Improper installation may cause damage or serious injury. Do not use this product for any purpose that is not explicitly specified in this manual. Do not exceed weight capacity. We cannot be liable for damage or injury caused by improper mounting, incorrect assembly or inappropriate use.



WARNING: CHOKING HAZARD

SMALL PARTS - NOT FOR CHILDREN UNDER 3 YEARS. ADULT SUPERVISION IS REQUIRED.



DO NOT EXCEED WEIGHT CAPACITY

FAILURE TO DO SO MAY RESULT IN SERIOUS INJURY.

Need Help? We're Here For You

US-Based Customer Support from Trained Professionals

Monday-Friday from 7am-7pm CST

Saturday 8am-4pm CST



Email Us

help@vivo-us.com



Chat with Live Agent

www.vivo-us.com



Give Us a Call

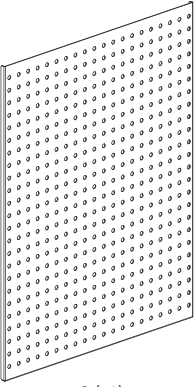
309-278-5303 ext. 1



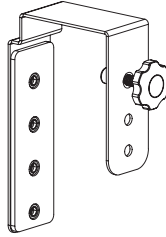
Assembly Video & Product Info

www.vivo-us.com/products/pp-pb25h

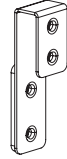
Package Contents



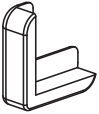
A (x1)
Pegboard



B (x2)
Clamp



C (x2)
Clamp Bracket



D (x2)
Corner Guard



E (x2)
Large
Thumbscrew

Included Hardware & Tools



S-A (x8)
M6x8mm
Screw



S-B (x8)
M6 Washer



T-A (x1)
4mm Allen
Wrench

Weight Capacity:



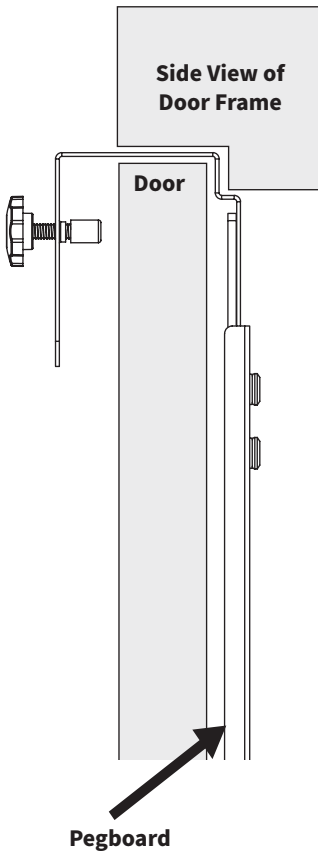
Preassembly

If you are mounting the Pegboard on a door, check the door frame to see if the pegboard will be under the door jamb, or opposite of the door jamb.

- Option 1 -

Under Door Jamb

Pages 6-7

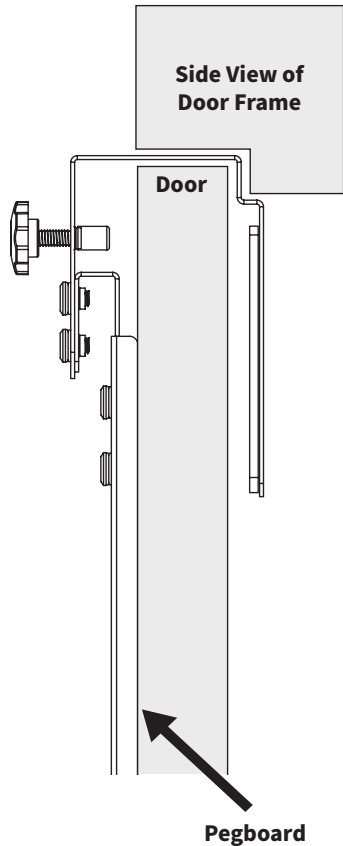


- Option 2 -

Opposite Door Jamb

Optimal Door Thickness of 1.37" (35mm)

Pages 8-10

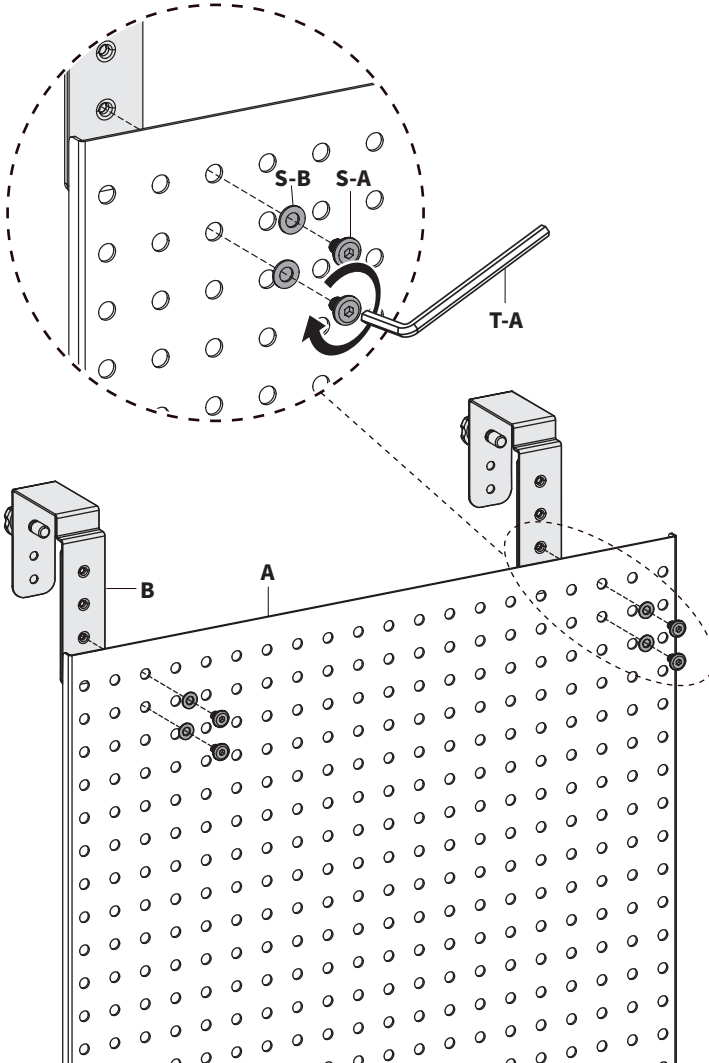


Assembly Steps

STEP 1

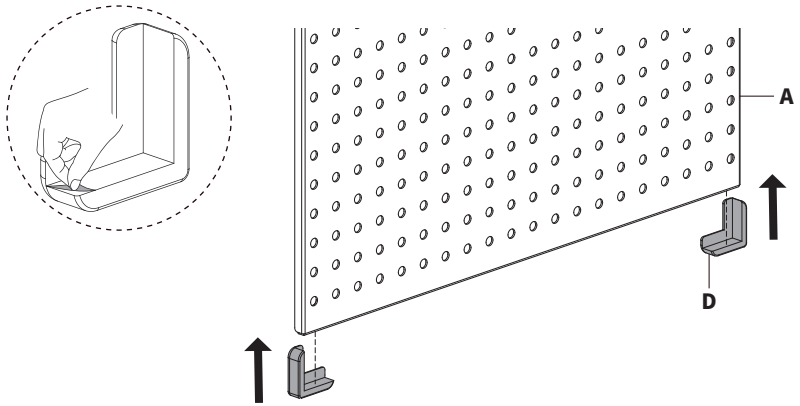
- Option 1 - Under Door Jamb

Attach Clamp (B) to the Pegboard (A) to desired height using M6x8mm Screws (S-A), M6 Washers (S-B) and 4mm Allen Wrench (T-A).



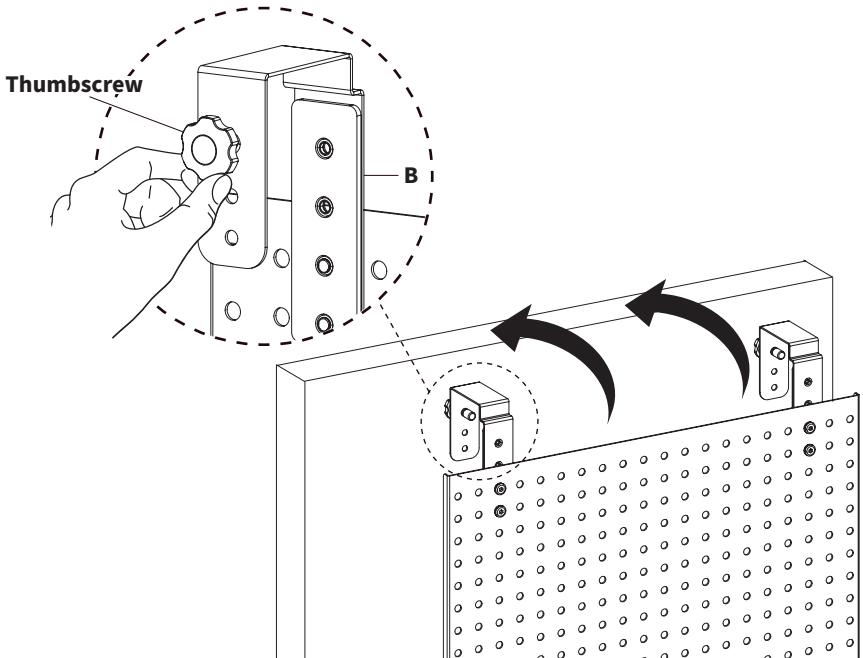
STEP 2

Remove adhesive backing from Corner Guards (**D**) and stick to the bottom corners of Pegboard (**A**).



STEP 3

Hook the Pegboard assembly to the desired location. Use **Thumbscrews** to tighten the Clamp (**B**) to your mounting surface.



For thinner mounting surfaces, use the Large Thumbscrew (**E**).

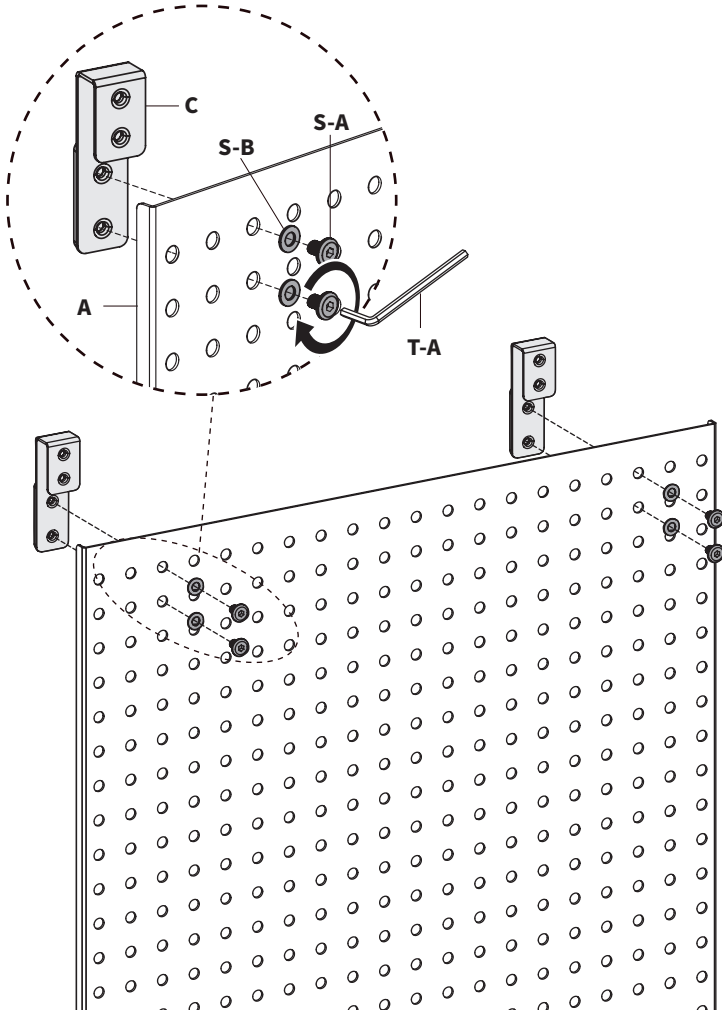
STEP 1

- Option 2 -

Opposite Door Jamb

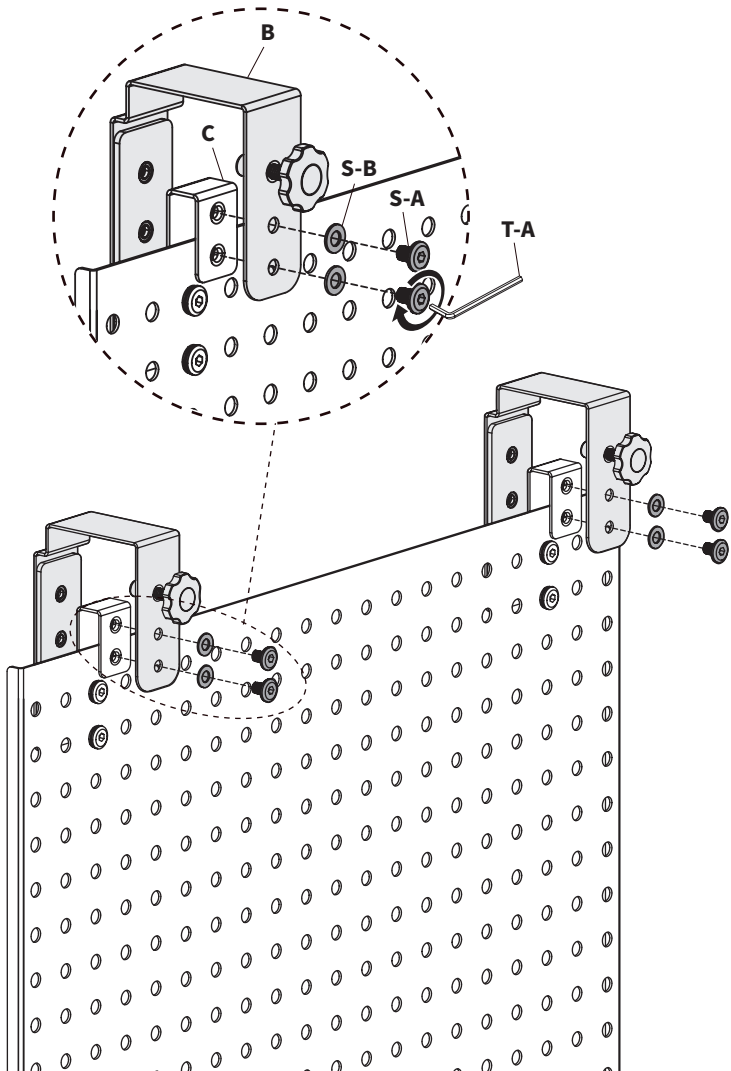
Optimal Door Thickness of 1.37" (35mm)

Attach Clamp Bracket (C) to the Pegboard (A) as shown using M6x8mm Screws (S-A), M6 Washers (S-B) and 4mm Allen Wrench (T-A).



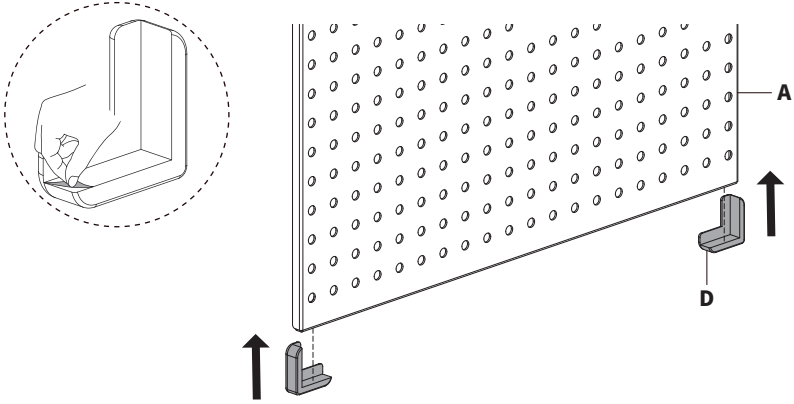
STEP 2

Attach Clamp **(B)** to Clamp Bracket **(C)** as shown using M6x8mm Screws **(S-A)**, M6 Washers **(S-B)** and 4mm Allen Wrench **(T-A)**.



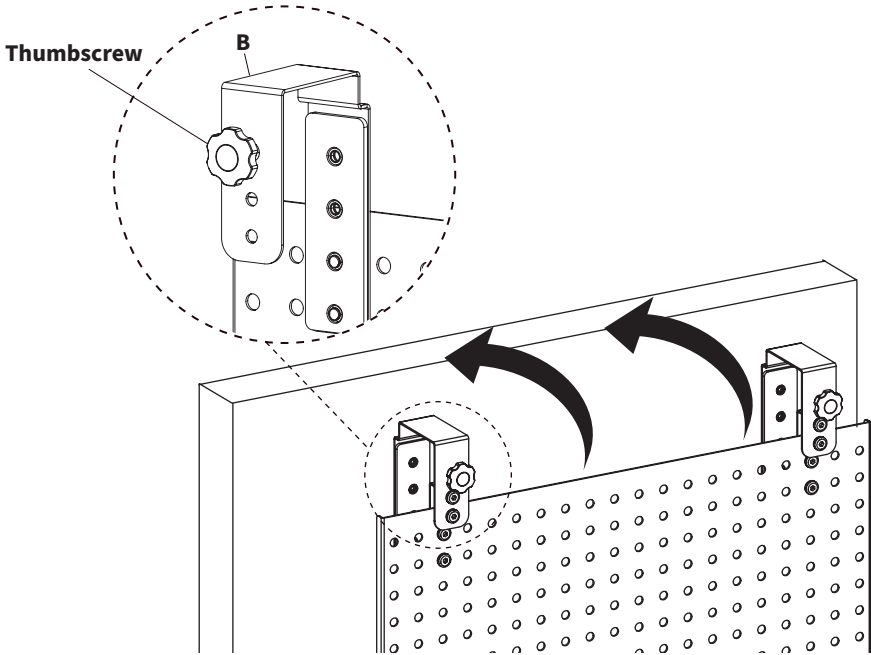
STEP 3

Remove adhesive backing from Corner Guards (**D**) and stick to the bottom corners of Pegboard (**A**).



STEP 4

Hook the Pegboard assembly to the desired location. Use **Thumbscrews** to tighten the Clamp (**B**) to your mounting surface.



For thinner mounting surfaces, use the Large Thumbscrew (**E**).

V·I·V·



Love Your New Setup?
Tag Us on Social!



@VIVO-us



@vivo_us



@VIVOus



VIVO



Need Help? **We're Here For You**

Monday-Friday from 7am-7pm CST
Saturday 8am-4pm CST



Email Us
help@vivo-us.com



Chat with Live Agent
www.vivo-us.com



Give Us a Call
309-278-5303 ext. 1



VIVO-us



@vivo_us



@VIVOus



VIVO