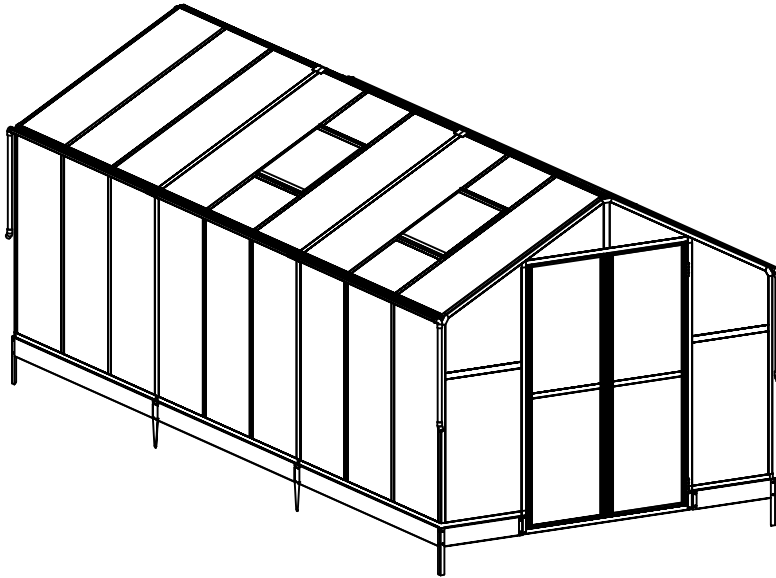


# Assembly Instructions

MODEL:AMB849

PRODUCT SIZE(LxWxH): 8X18

PLEASE READ CAREFULLY BEFORE ASSEMBLY



Greenhouse 8x18 FT Assembly Instruction

SKU:

1007040100B(BOX 1)

1007040101B(BOX 2)

Arrive in 2 separate boxes and may not be part of the same shipment; Please install the product after receiving all the packages.

Email Address:[cs@howedirect.com](mailto:cs@howedirect.com)

Tel: 901-347-2181

Service Time: 8 am - 5 pm (central time) Monday- Friday.

If no one picks up, please call several more times

2024/4/22

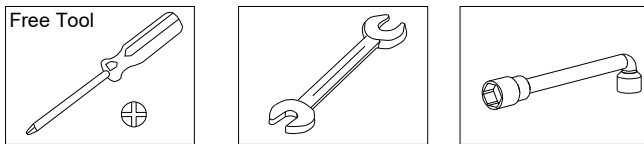
# CONTENTS

|                                       |              |
|---------------------------------------|--------------|
| 1. Assembly Advice .....              | Page 1       |
| 2. Product Features .....             | Page 2       |
| 3. Parts List .....                   | Page 3 -6    |
| 4. Door Assembly .....                | Page 6 - 10  |
| 5. Roof Vent Assembly .....           | Page 11 - 13 |
| 7. Base Assembly .....                | Page 14-16   |
| 8. Framework & Glazing Assembly ..... | Page 17 - 37 |

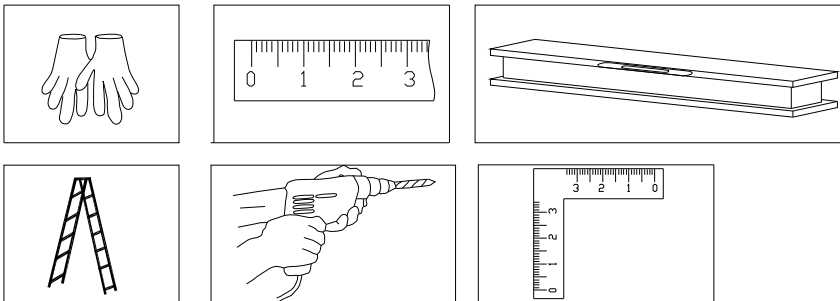
## Assembly and Maintenance Advice

1. For safety purposes, we strongly recommend that this product is assembled by at least two people.
2. Some components have sharp metal edges. Please be careful when handling metal components. Please wear gloves, shoes and safety goggles during assembly.
3. Lay all of the components on a soft carpet or blanket to avoid any scratches or damages.
4. DO NOT climb or stand on the roof. Heavy articles should not be leaned against the greenhouse.
5. Keep the roof and gutter clear of snow, dirt & leaves. Allowing snow to build up on the roof may damage the product.
6. Unlike steel, if the paint finish is scratched this will not harm the aluminium underneath.
7. When your product needs cleaning, use a mild detergent solution and rinse with cold clean water. Do not use acetone, abrasive cleaners or strong detergents to clean the panels.

### Tools Provided:



### Tools Required when Assembly (Not Provided)



### Assembly at least by two Persons

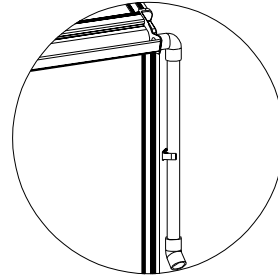


## Important:

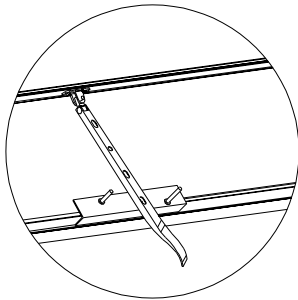
Rubber is not provided if you choose polycarbonate sheet as glazing panel.

## Functions and Features:

1. The strong two part eaves beam includes an integral gutter. Downpipes are also included as standard so you can collect rainwater.

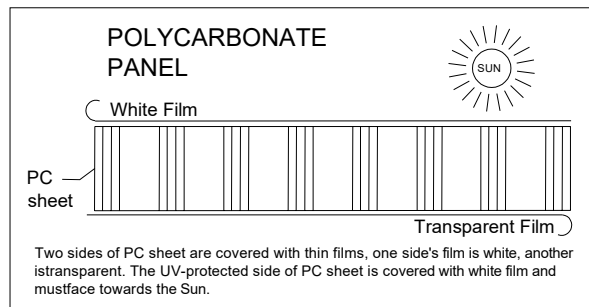


2. Manual window handles are included as standard with the roof vents.

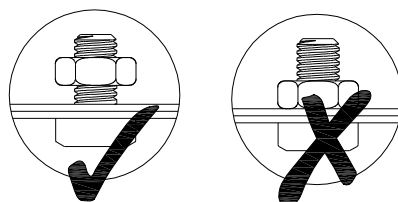




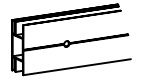
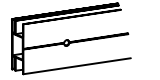
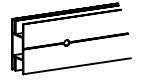
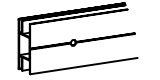
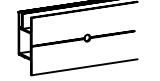
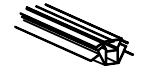

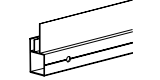


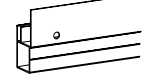
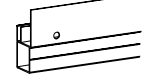
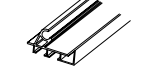

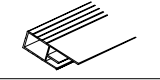
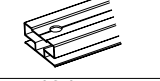

Manual Opener

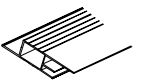
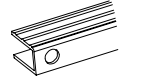
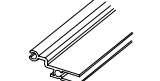




3. Remove approximately 2 inches of film from all sheet edges before installing and remove all film immediately after the construction is completed. Please ensure that the side with the white film faces outwards.

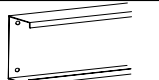
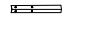
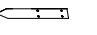
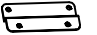


4. This quality greenhouse features self-tapping screws to provide strong joints. As the name suggests, the screws tap their own thread. Driving in self-tapping screws requires more force than conventional screws. A powered screwdriver is therefore recommended.
5. Nuts not to be tightened before the end of assembly! Unless otherwise stated, do not tighten the bolts/nuts/screws until the shed is finally erected!








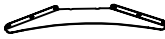
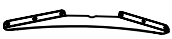




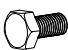
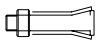











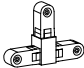






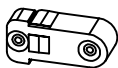





|    | PART   | NO   | QTY |
|----|--|------|-----|
| 1  | <br>1288mm          | L02A | 8   |
|    |  |      |     |
| 2  | <br>547mm           | L02E | 4   |
|    |  |      |     |
| 3  | <br>1564mm          | L04A | 2   |
|    |  |      |     |
| 4  | <br>547mm           | L04B | 3   |
| 5  | <br>547mm           | L04B | 3   |
| 6  | <br>C:1160 E:1564   | L04C | 1   |
|    |  | L04E | 1   |
| 7  | <br>301mm           | L04D | 2   |
|    |  |      |     |
| 8  |                    | L05A | 1   |
|    |  | L05B | 1   |
|    | A&B:1684 C:1160  | L05C | 1   |
| 9  | <br>1739mm        | L06C | 3   |
|    |  |      |     |
| 10 | <br>1739mm        | L07C | 6   |
|    |  |      |     |
| 11 | <br>1739mm        | L08C | 6   |
|    |  |      |     |
| 12 | <br>1749mm        | L09C | 2   |
|    |  | L09D | 2   |
| 13 | <br>1759mm        | L09E | 2   |
|    |  |      |     |
| 14 | <br>A:1222 B:1160 | L10A | 1   |
|    |  | L10B | 1   |
| 15 | <br>C:570 D:558   | L10C | 2   |
|    |  | L10D | 2   |
| 16 | <br>570mm         | L12A | 4   |
|    |  |      |     |
| 17 | <br>557mm         | L15A | 4   |
|    |  |      |     |
| 18 | <br>1680mm        | L16A | 2   |
|    |  |      |     |
| 19 | <br>494mm         | L17  | 2   |
|    |  |      |     |

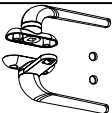


|    | PART  | NO   | QTY |
|----|---|------|-----|
| 15 | <br>1680mm | L18A | 1   |
|    |   | L18B | 1   |
| 16 | <br>500mm  | L19  | 8   |
|    |   |      |     |
| 17 | <br>570mm  | L20  | 4   |
|    |   |      |     |
| 17 | <br>570mm  | L21  | 4   |
|    |   |      |     |
| 18 | <br>1738mm | L23C | 12  |
|    |   |      |     |
| 19 | <br>1067mm | L24A | 4   |
|    |   |      |     |
| 20 | <br>650mm  | L25  | 4   |
|    |   |      |     |

| PART  | NO   | QTY |
|---|------|-----|
|  | A1   | 2   |
|   | C1   | 4   |
|   | C2   | 2   |
|   | D1   | 2   |
| A1:588 C1:1778<br>C2:1759 D1:1199   |      |     |
|  | D306 | 4   |
|  | D307 | 5   |
|  | D361 | 2   |

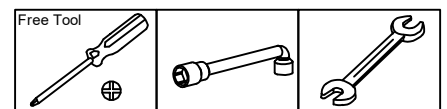


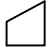

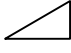
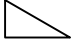



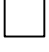
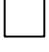

| PART  | NO             | QTY   |
|---|----------------|-------|
|    | A01            | 4     |
|    | A03            | 4     |
|    | A108           | 4     |
|    | D05            | 24    |
|    | D25            | 4     |
|     | D26            | 2     |
|    | D114           | 20    |
|     | D362           | 2     |
|     | D363           | 4     |
|   | D364           | 16    |
|  | H40            | 24    |
|  | S01<br>M6X12   | 237+5 |
|  | S26<br>M6X12   | 4     |
|  | S28<br>M4X10   | 8     |
|  | S69<br>M6X60   | 20    |
|  | M01<br>M6      | 237+5 |
|  | M02<br>M4      | 8     |
|  | M07<br>M6      | 8     |
|   | Z08<br>M4.2X16 | 8     |
|  | Z15<br>Ø4X12D  | 150+5 |
|  | Z17<br>M4.8X16 | 8     |

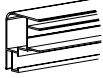
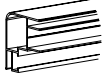

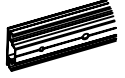
| PART  | NO    | QTY |
|---|-------|-----|
|    | J93   | 4   |
|    | J94   | 4   |
|    | J166  | 4   |
|    | J201  | 6   |
|    | J202L | 2   |
|    | J202R | 2   |
|    | J203  | 4   |
|    | J204R | 2   |
|    | J204L | 2   |
|   | J205  | 2   |
|  | J206  | 20  |
|  | J207  | 4   |
|  | J208  | 2   |
|  | J209R | 2   |
|  | J209L | 2   |
|  | J210  | 2   |

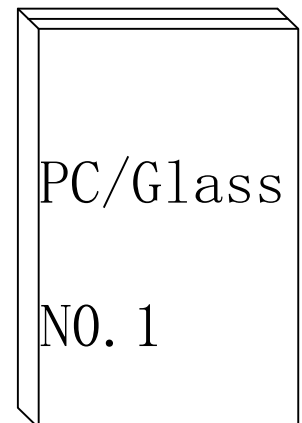
| PART  | NO           | QTY |
|---|--------------|-----|
|  | H152         | 1   |
|  | D47-2        | 1   |
|  | S81<br>M4X25 | 2   |

Tools Provided:



| PART   | NO  | QTY |
|--|-----|-----|
| <br>656X568mm   | Y1  | 2   |
| <br>656X568mm   | Y2  | 2   |
| <br>324X577mm    | Y3  | 2   |
| <br>324X577mm    | Y4  | 2   |
| <br>939X568mm   | Y5  | 6   |
| <br>1308X568mm  | Y6  | 32  |
| <br>387X568mm   | Y7  | 8   |
| <br>623X568mm  | Y8  | 2   |
| <br>474X568mm | Y10 | 4   |
| <br>832X514mm | Y11 | 4   |

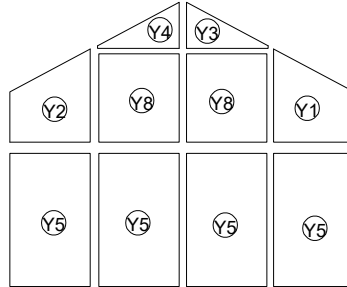
|   | PART  | NO   | QTY |
|---|---|------|-----|
| 1 | <br>1288mm | L01A | 2   |
|   |   | L01D | 2   |
|   |   | L01E | 2   |
| 2 | <br>1288mm | L01B | 1   |
|   |   | L01C | 1   |
| 4 | <br>1288mm | L02A | 8   |
| 5 |   | L02A | 8   |
| 6 | <br>1288mm | L03A | 4   |
|   |   | L03B | 4   |



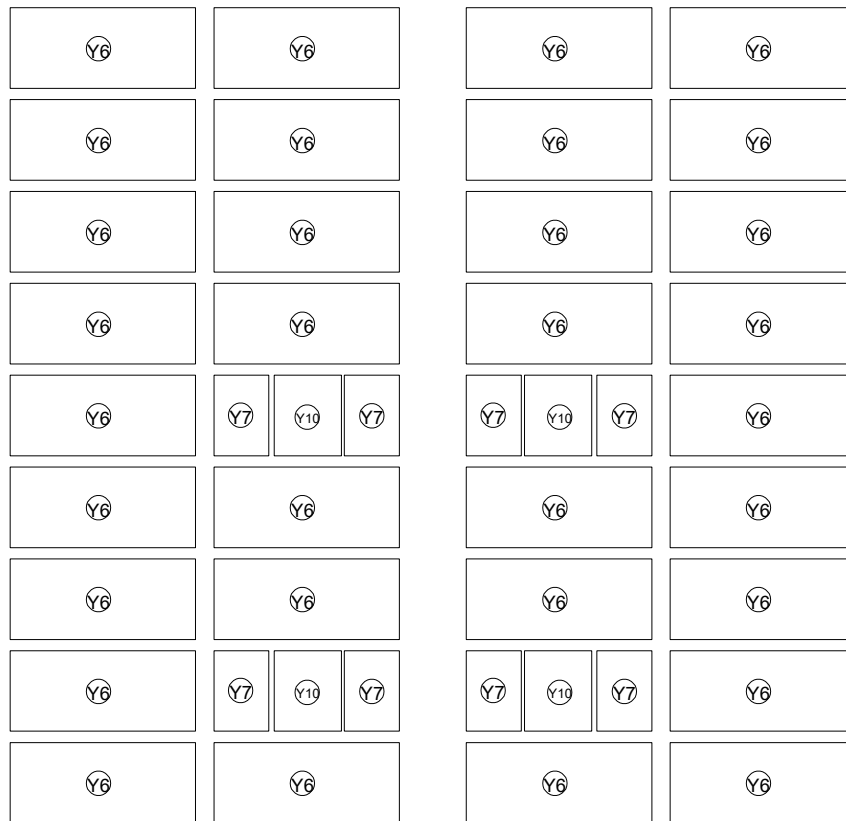
| PART | NO  | QTY |
|------|-----|-----|
|      | Y1  | 2   |
|      | Y2  | 2   |
|      | Y3  | 2   |
|      | Y4  | 2   |
|      | Y5  | 6   |
|      | Y6  | 32  |
|      | Y7  | 8   |
|      | Y8  | 2   |
|      | Y10 | 4   |
|      | Y11 | 4   |

# Panel Exploded View

## Back Wall

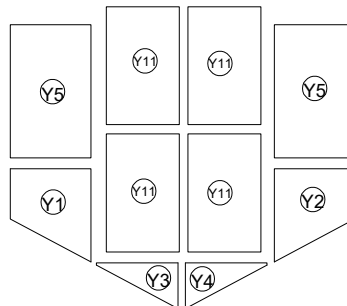


## Side Wall



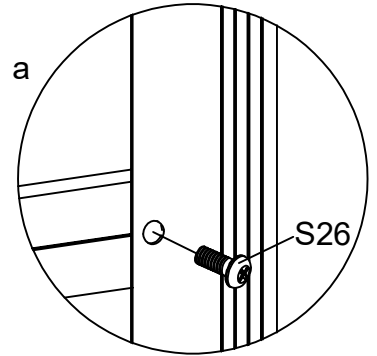
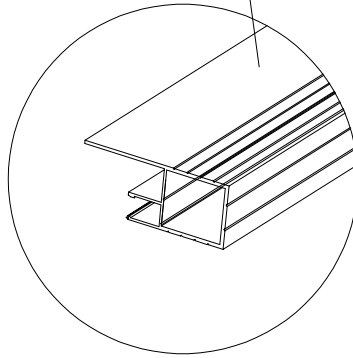
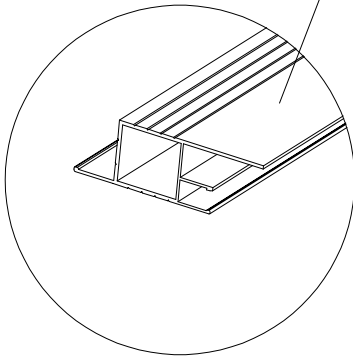
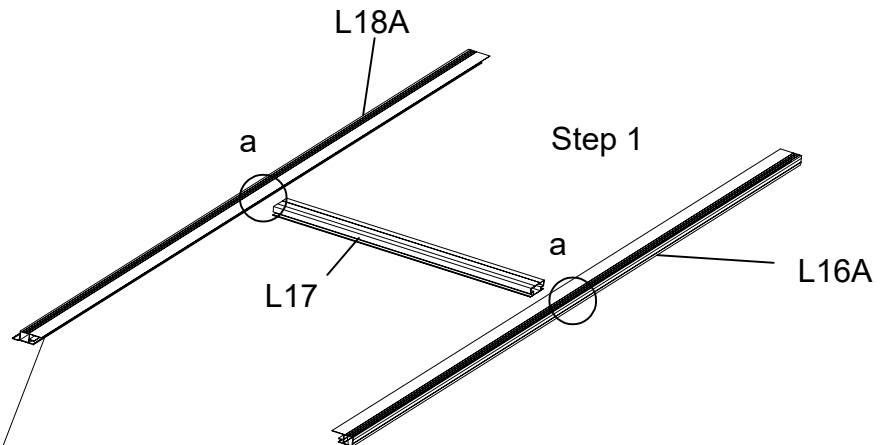
## Side Wall

## Front Wall



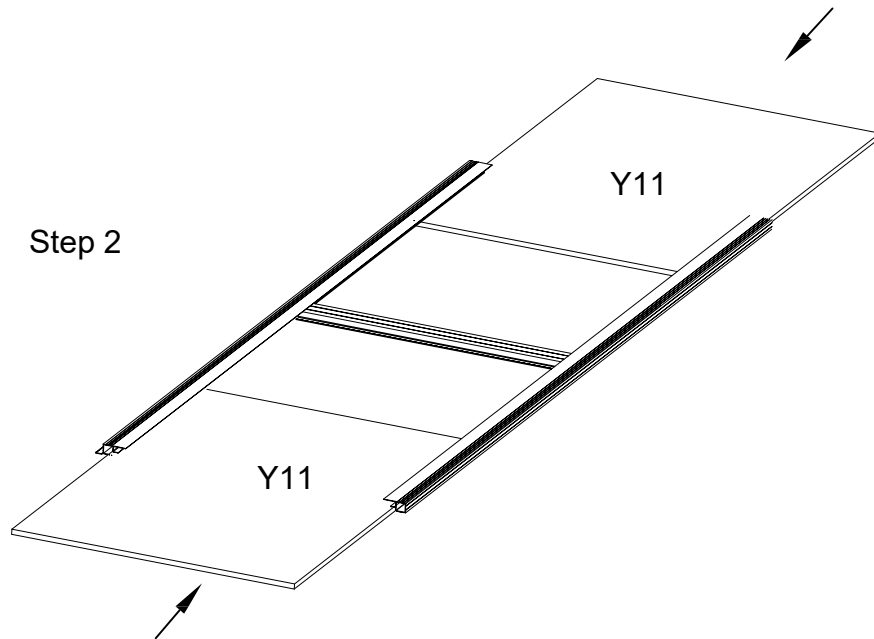
| PART | NO           | QTY |
|------|--------------|-----|
|      | L15A         | 2   |
|      | L16A         | 1   |
|      | L17          | 1   |
|      | L18A         | 1   |
|      | S26<br>M5X12 | 10  |
|      | Y11          | 2   |

# Left Door

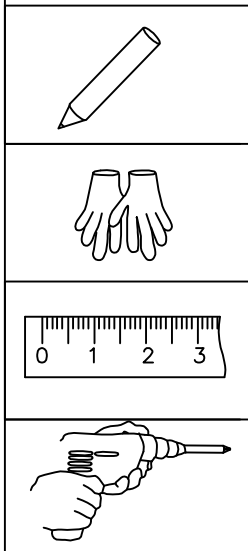


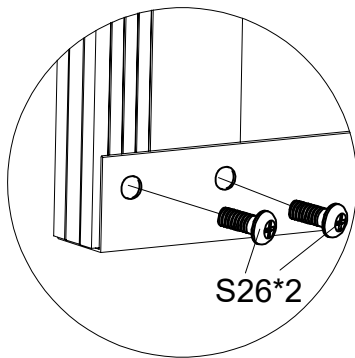
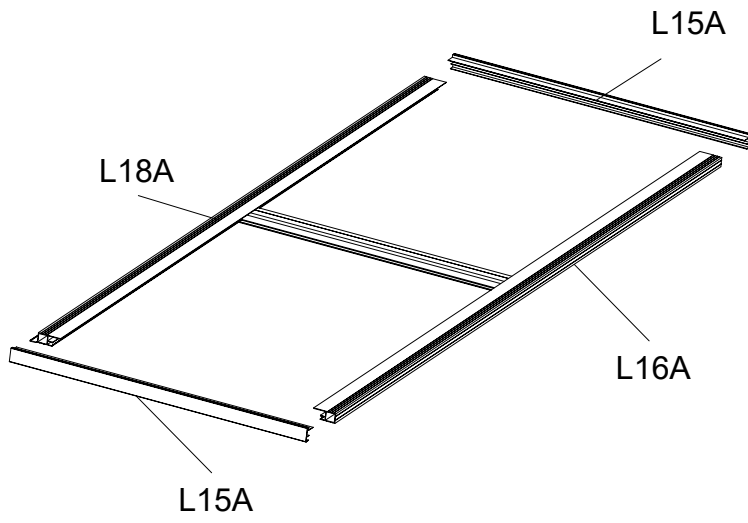
**! Attention:** Check the direction of the accessories


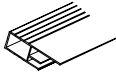
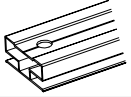
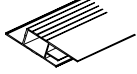
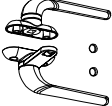




Step 2



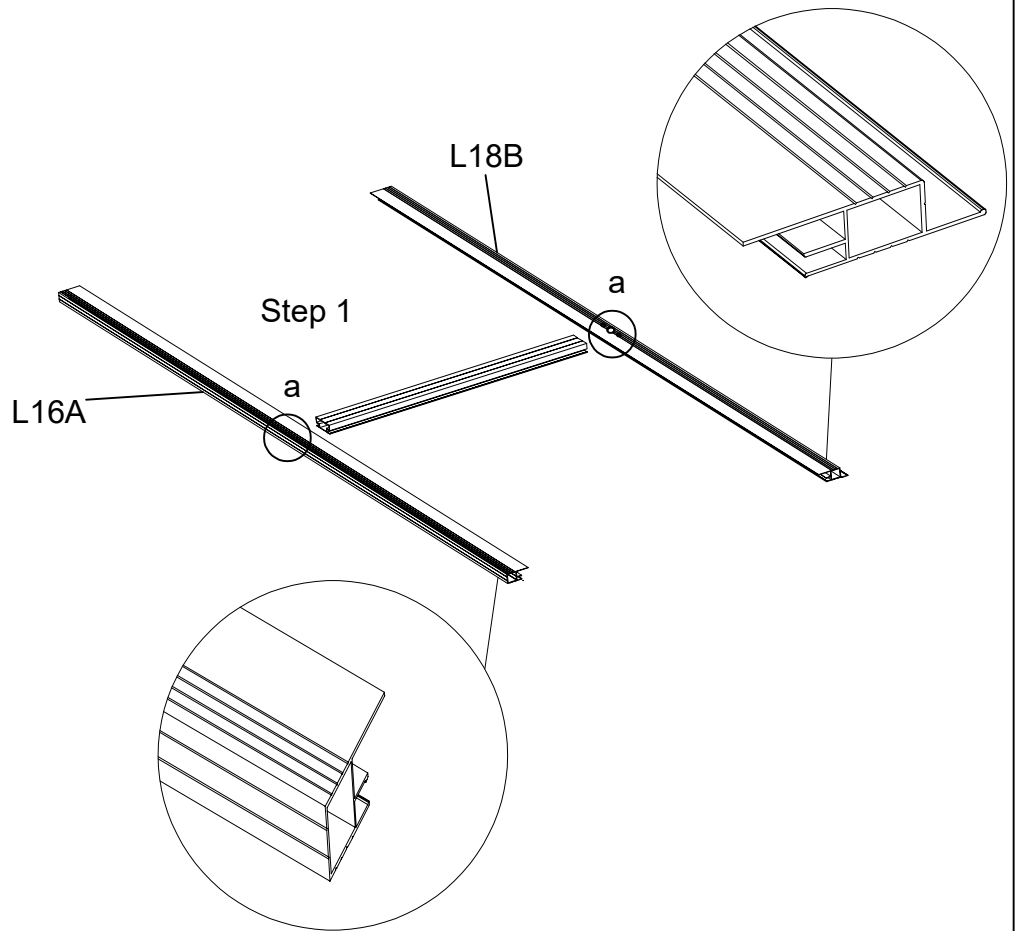
**! Attention:** Remove the protective films from both sides of each polycarbonate panel, before inserting into aluminum channels. Ensure the milky white film faces towards the Sun.



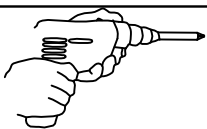
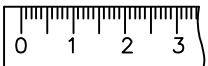
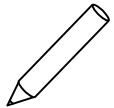
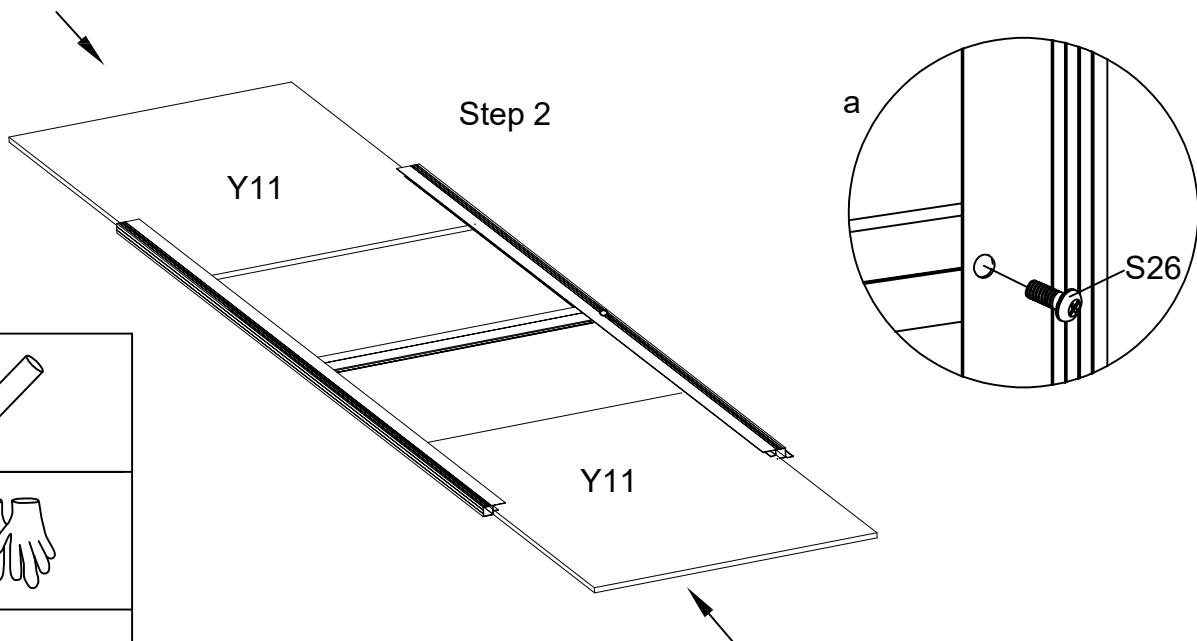


| PART  | NO           | QTY |
|---|--------------|-----|
|   | L15A         | 2   |
|  | L16A         | 1   |
|   | L17          | 1   |
|   | L18B         | 1   |
|  | H152         | 1   |
|  | D47-2        | 1   |
|  | S26<br>M5X12 | 10  |
|  | S81<br>M4X25 | 2   |
|  | Y11          | 2   |

# Right Door

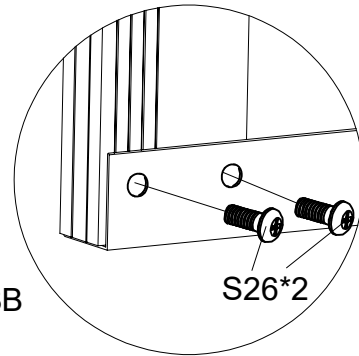
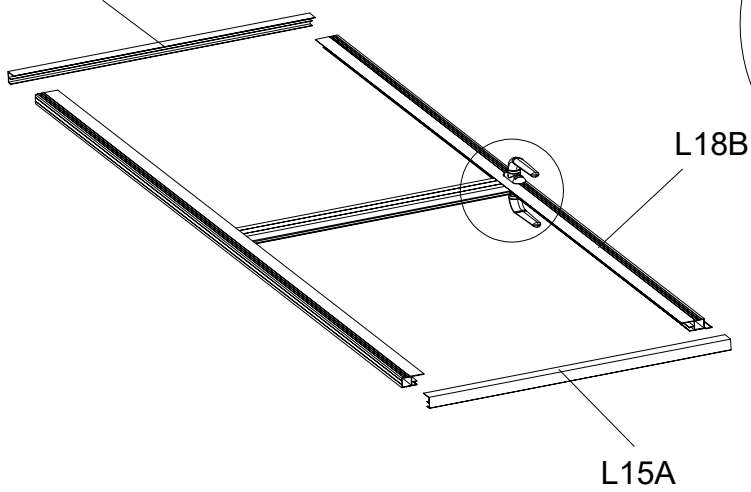


! Attention: Check the direction of the accessories



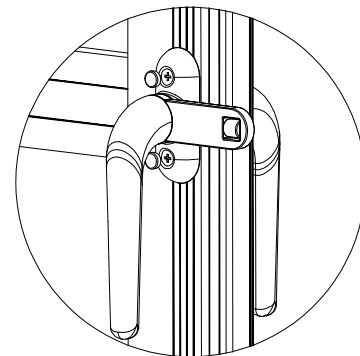
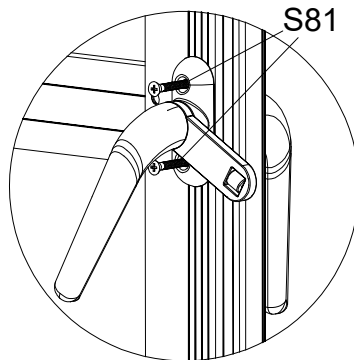
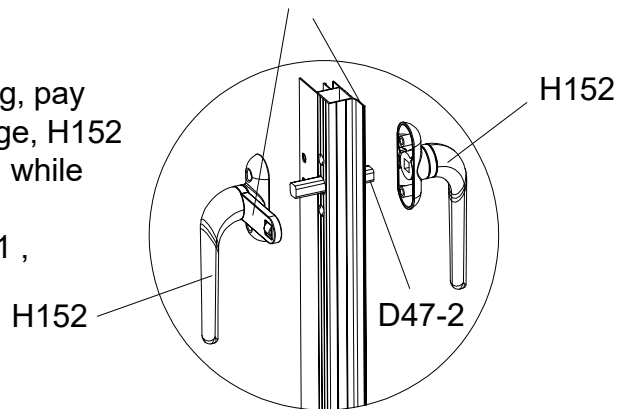
! Attention: Remove the protective films from both sides of each polycarbonate panel, before inserting into aluminum channels. Ensure the milky white film faces towards the Sun.

L15A

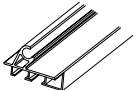
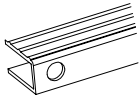
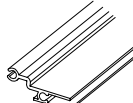
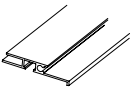







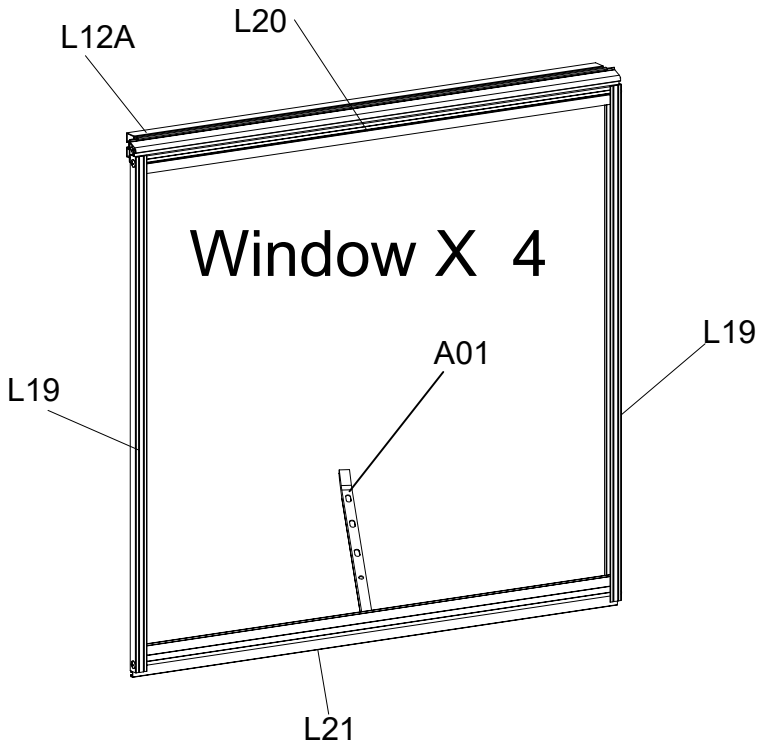
Pay attention to the installation direction

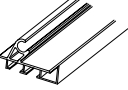
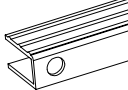
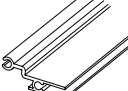
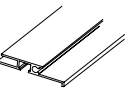
Install H152 after installing the door, when installing, pay attention to the H152 long end toward the door edge, H152 square hole aligned with the square column D47-1 while inserting, placed in the right position and then fixed with S81 , and finally installed on the decorative cover

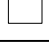






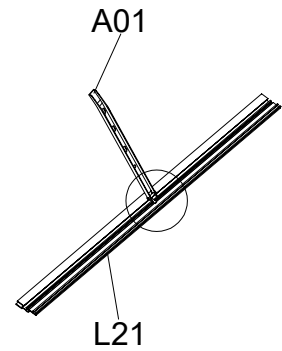
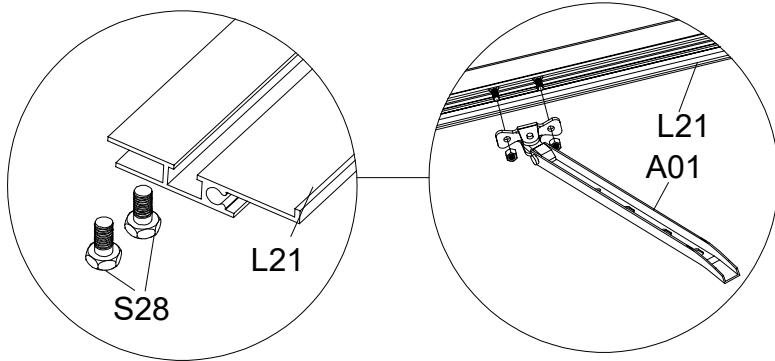
# Exploded View

| PART  | NO.           | QTY. |
|---|---------------|------|
|   | L12A          | 4    |
|  | L19           | 8    |
|   | L20           | 4    |
|   | L21           | 4    |
|  | Y10           | 4    |
|  | A01           | 4    |
|  | Z15<br>Ø4X12D | 24   |
|  | S28<br>M4X10  | 8    |
|  | M02<br>M4     | 8    |



| PART  | NO.  | QTY. |
|---|------|------|
|  | L12A | 1    |
|  | L19  | 2    |
|  | L20  | 1    |
|  | L21  | 1    |

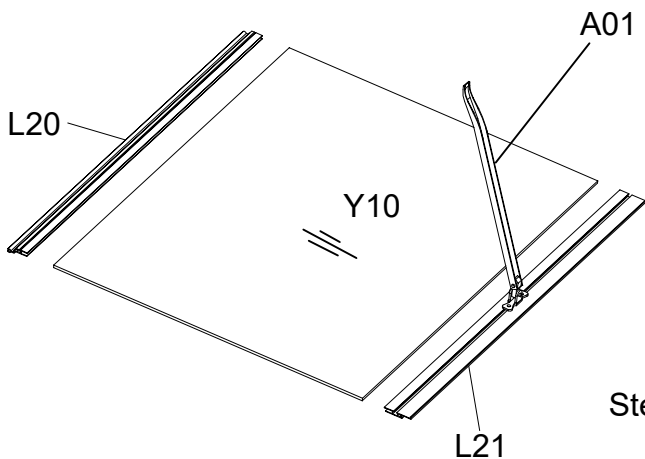
| Part  | NO.           | QTY. |
|---|---------------|------|
|  | Y10           | 1    |
|  | A01           | 1    |
|  | Z15<br>Ø4X12D | 6    |
|  | S28<br>M4X10  | 2    |
|  | M02<br>M4     | 2    |



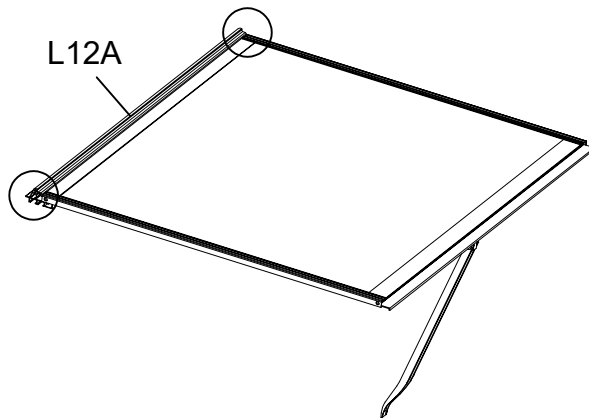
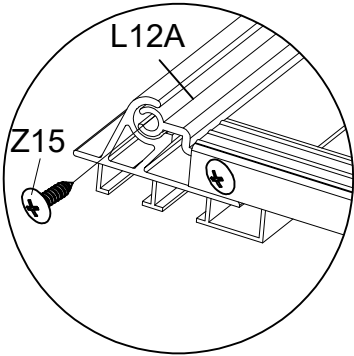
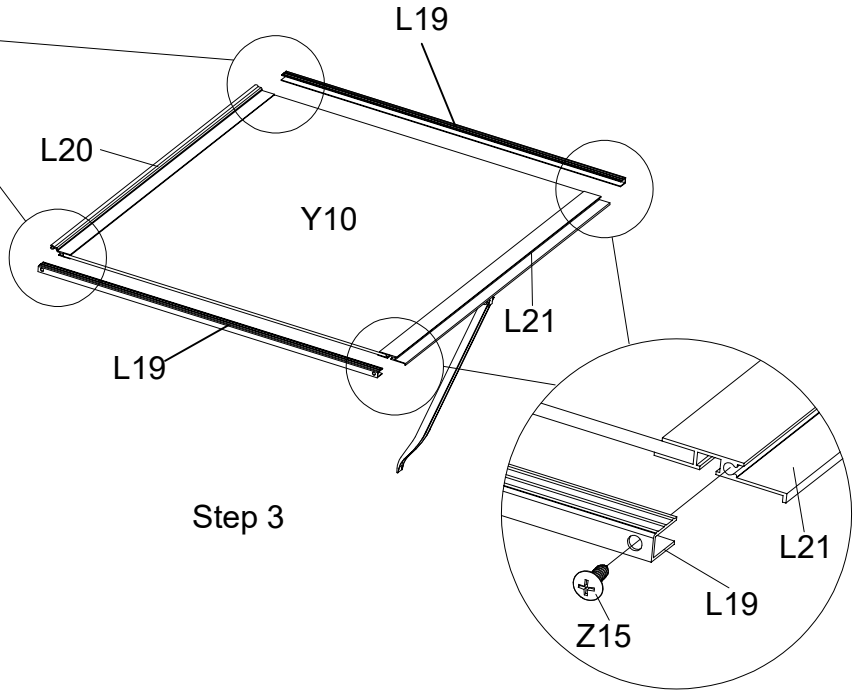
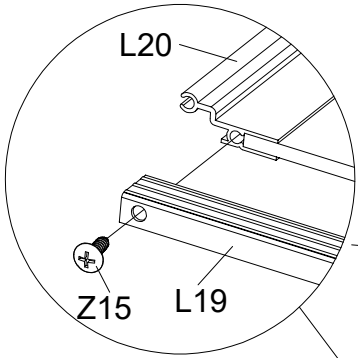
Step 1



**! Attention:** Remove the protective films from both sides of each polycarbonate panel, before inserting into aluminum channels. Ensure the milky white film faces towards the Sun.



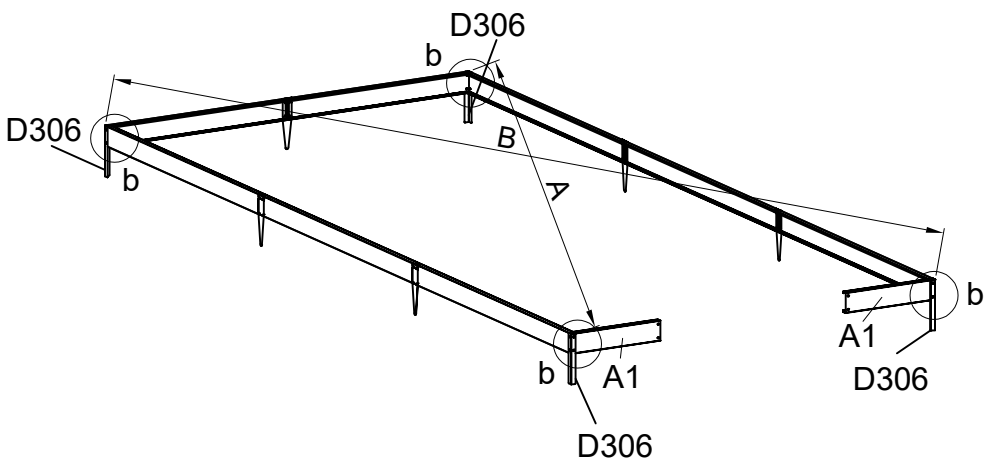
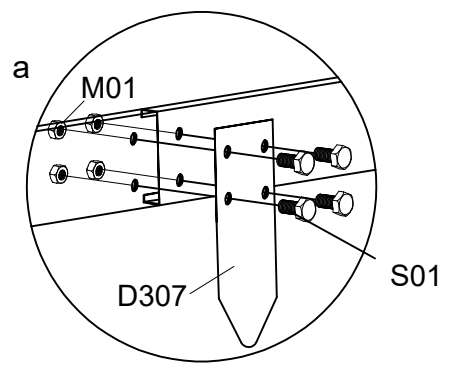
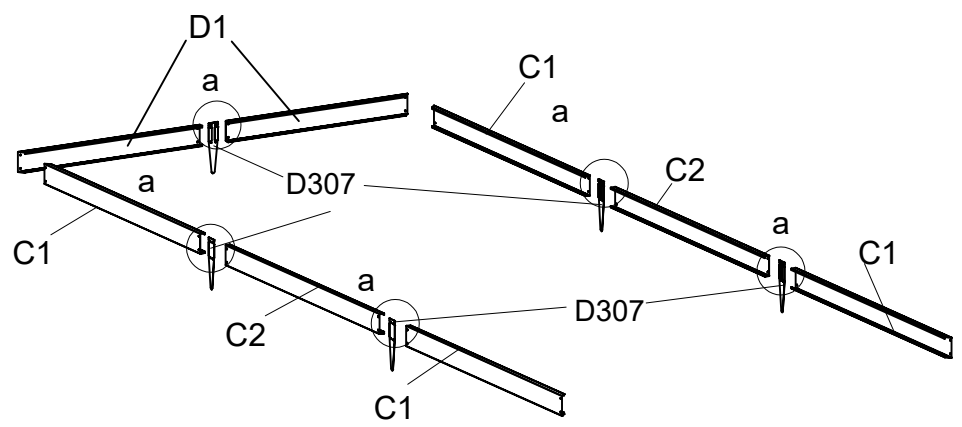
Step 2



Four windows are standard

| PART | NO           | QTY |
|------|--------------|-----|
|      | A1           | 2   |
|      | C1           | 4   |
|      | C2           | 2   |
|      | D1           | 2   |
|      | D306         | 4   |
|      | D307         | 5   |
|      | S01<br>M6X12 | 36  |
|      | M01<br>M6    | 36  |

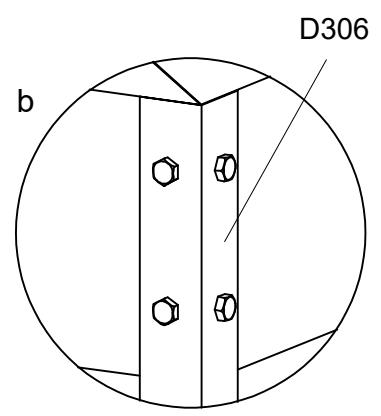
# Base Assembly



Attention! D306 and D307 must be inserted into the soil or installed in reverse!

Ⓐ = Ⓑ

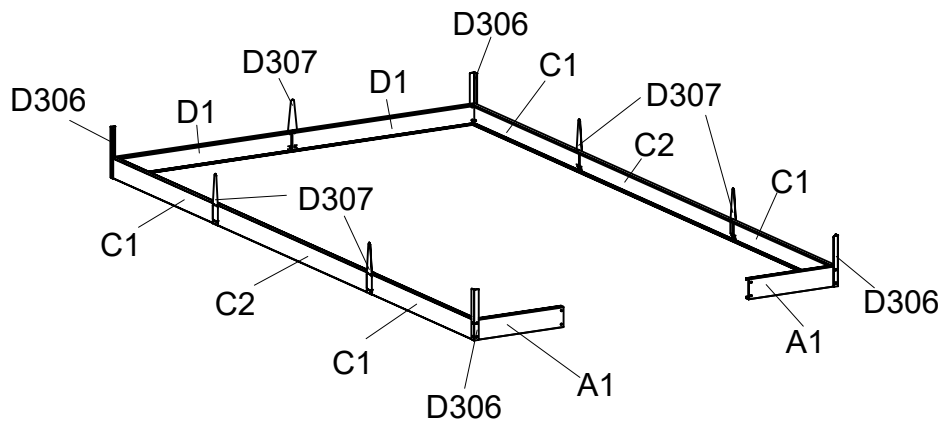
Fix the base before assembly the greenhouse. This is the way to fix the base.


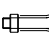


# Base Assembly

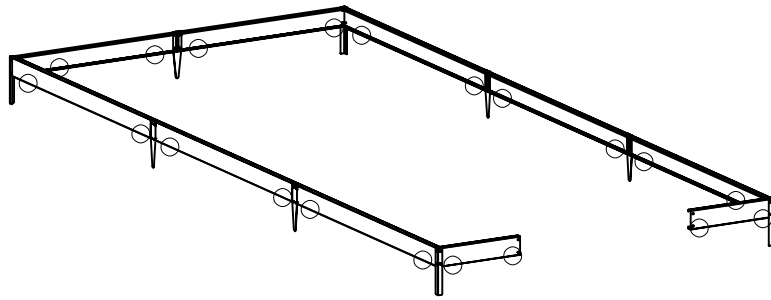


! Attention: Turn over the steel plinths D306 & D308 to complete the base installation as shown below, when the greenhouse is NOT inserted and secured into the soft soil.

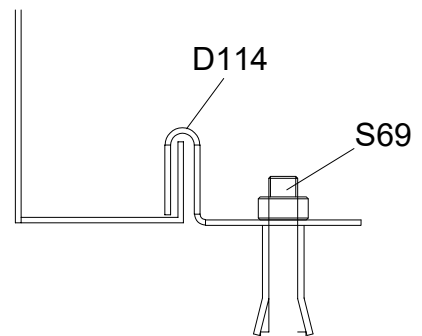
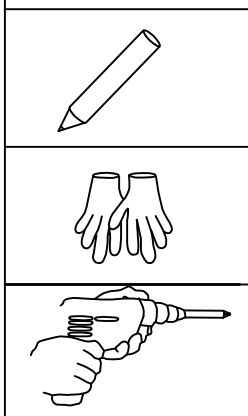
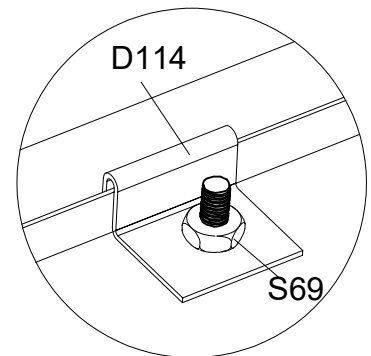
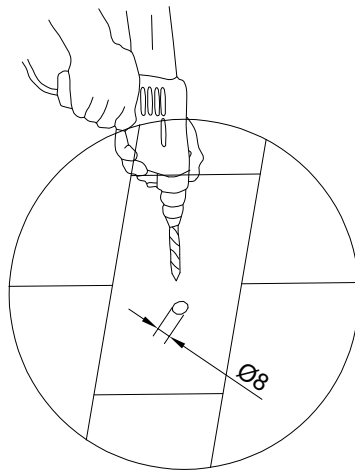
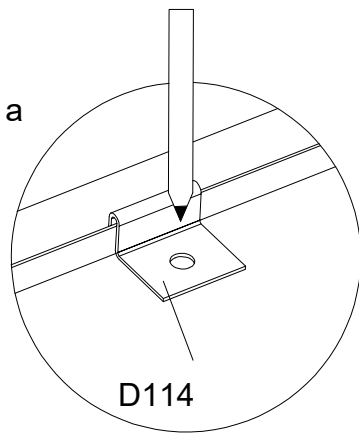
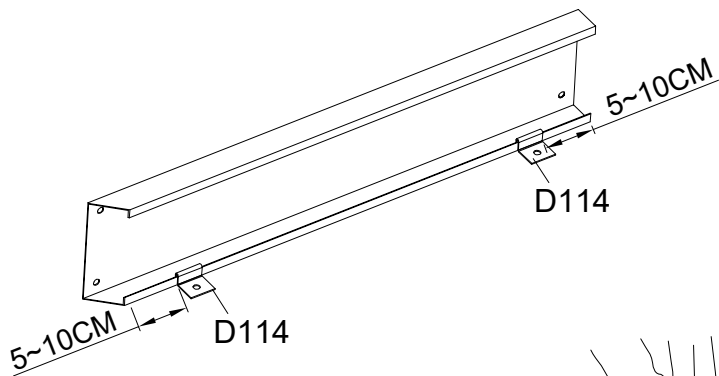


| PART   | NO           | QTY |
|--|--------------|-----|
|  | D114         | 20  |
|  | S69<br>M6X60 | 20  |

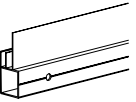
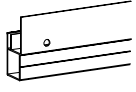
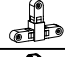
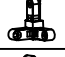
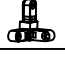

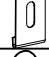
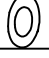

# Base Assembly

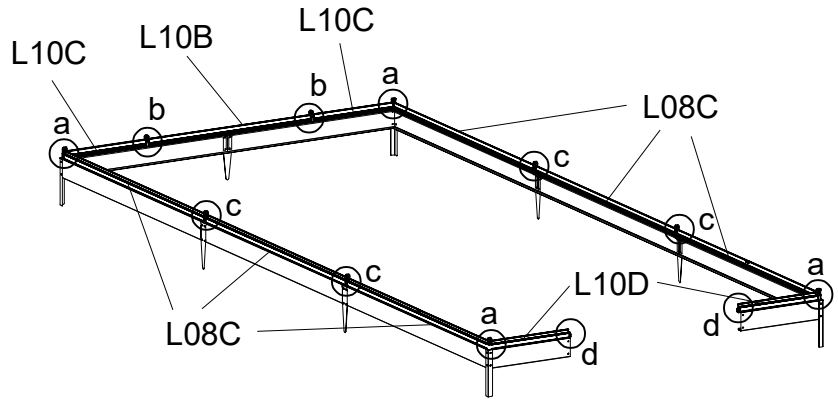


1. Fix the base anchor clip D114 onto each base section with a distance of 5~10CM from each end.
2. Mark the middle of the D114 hole to drill the  $\varnothing 8$  hole, then use S69 to fix the D114 to the ground

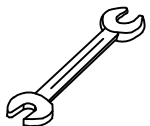
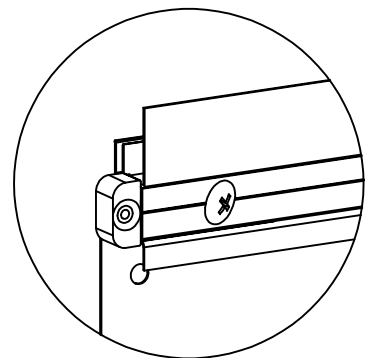
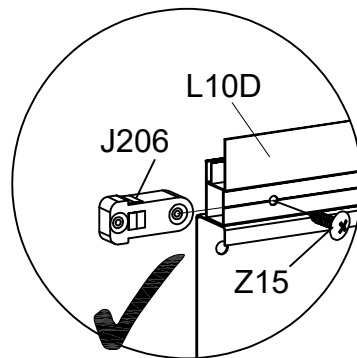
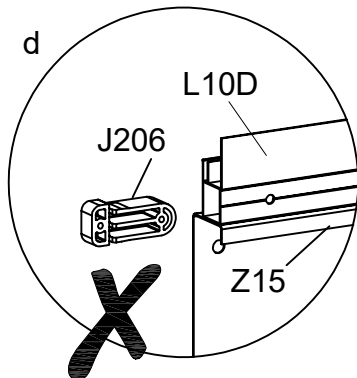
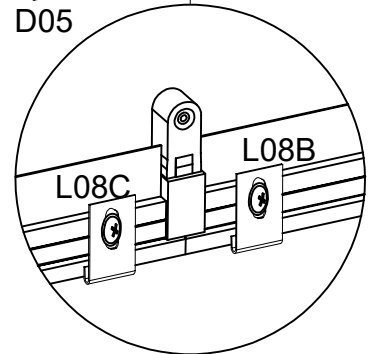
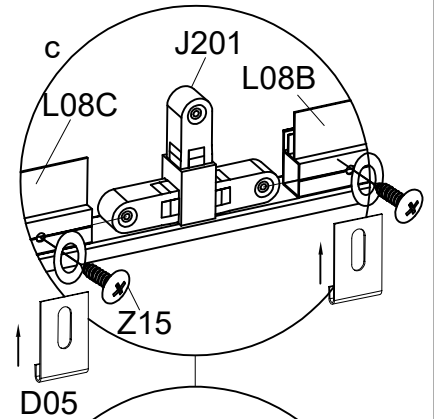
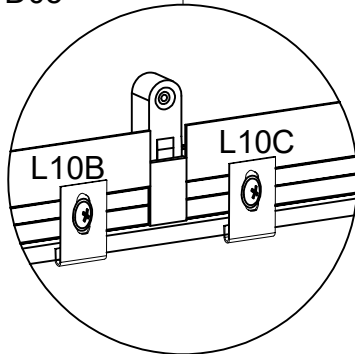
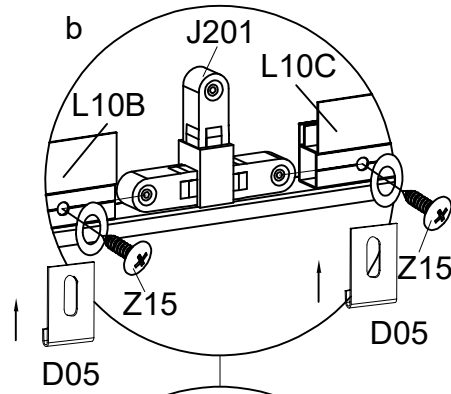
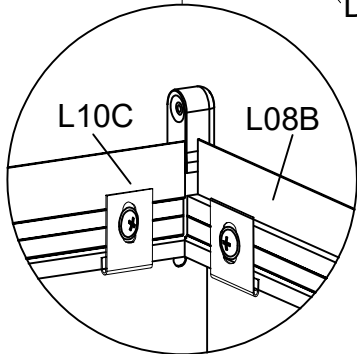
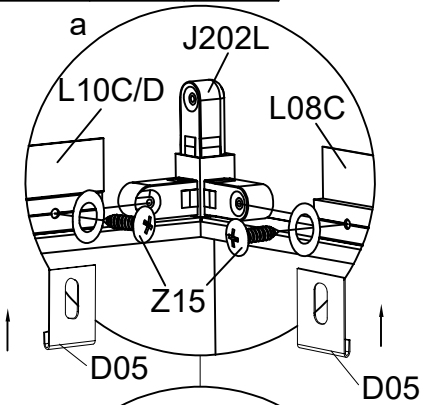


# Wall Assembly

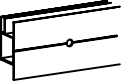
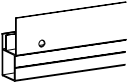
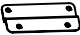

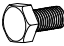



| PART  | NO     | QTY |
|---|--------|-----|
|   | L08C   | 6   |
|   | L10B   | 1   |
|   | L10C   | 2   |
|   | L10D   | 2   |
|  | J201   | 6   |
|  | J202L  | 2   |
|  | J202R  | 2   |
|  | J206   | 2   |
|  | D05    | 24  |
|  | H40    | 24  |
|  | Z15    | 24  |
|   | Ø4X12D |     |

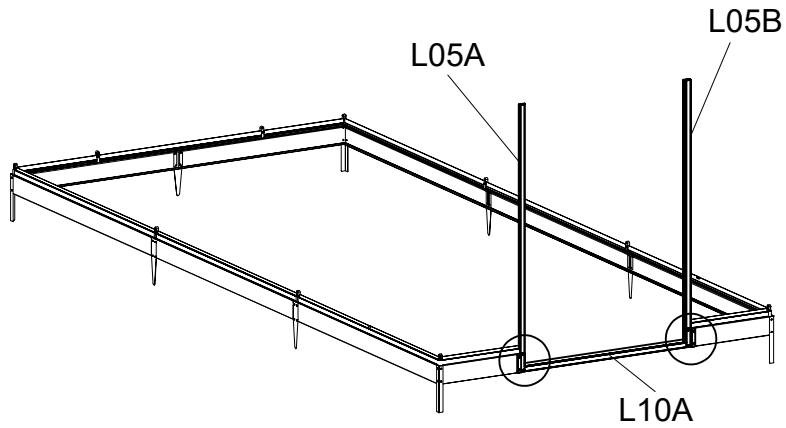


Please don't forget to install H40 and D05

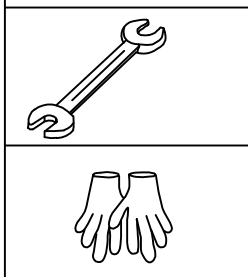
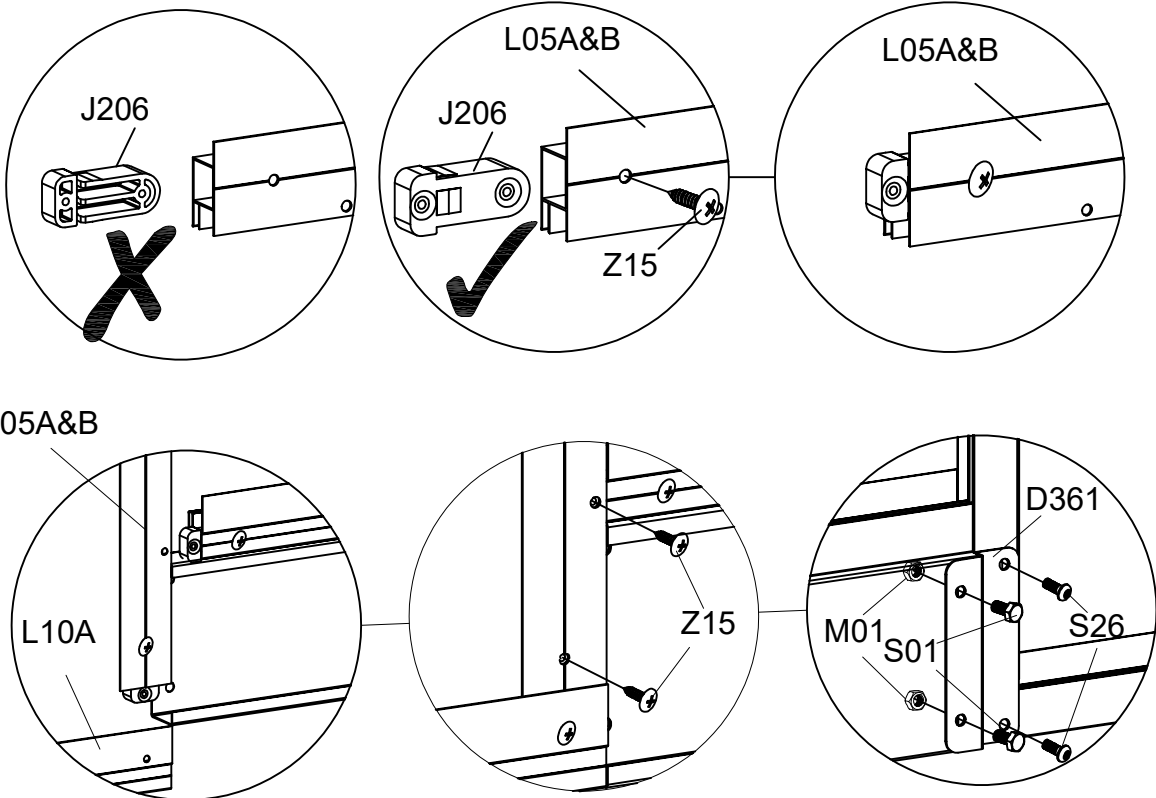


# Wall Assembly


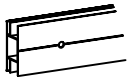


| PART  | NO     | QTY |
|---|--------|-----|
|   | L05A   | 1   |
|   | L05B   | 1   |
|   | L10A   | 1   |
|  | D361   | 2   |
|  | J206   | 2   |
|  | S01    | 4   |
|   | M6X10  |     |
|  | M01    | 4   |
|   | M6     |     |
|  | S26    | 4   |
|   | M6X12  |     |
|  | Z15    | 6   |
|   | Ø4X12D |     |

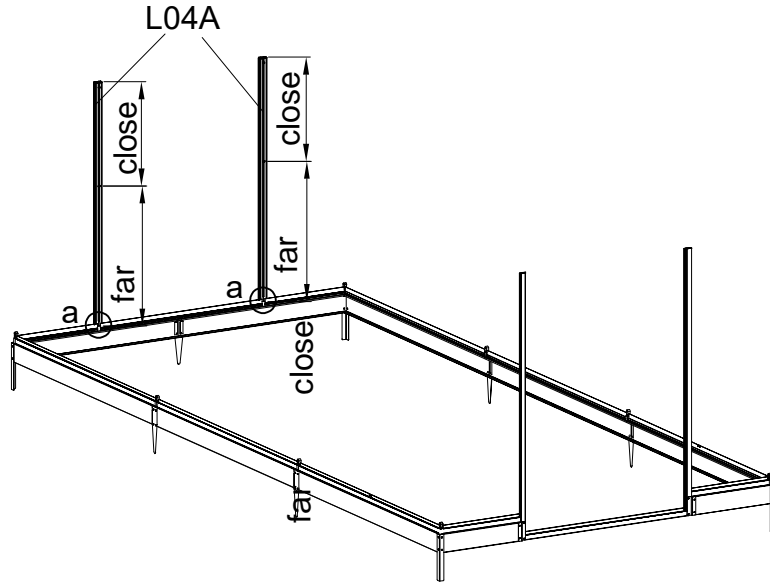


Note: Install L05A&B with two holes facing down.  
Fix J206 with Z15, ensuring correct orientation

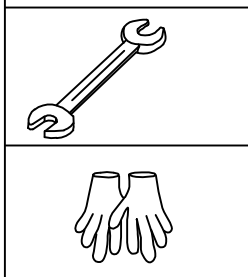
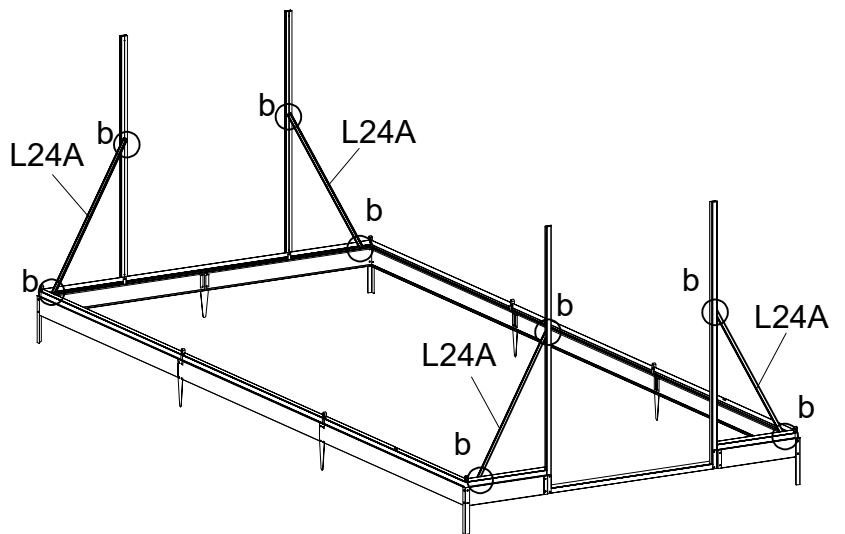
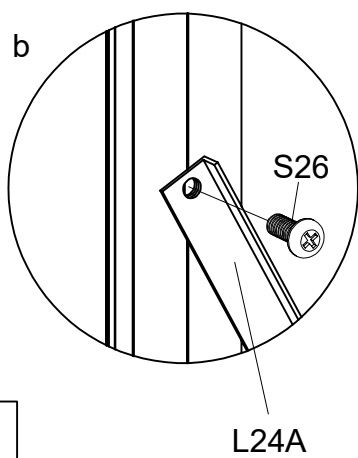
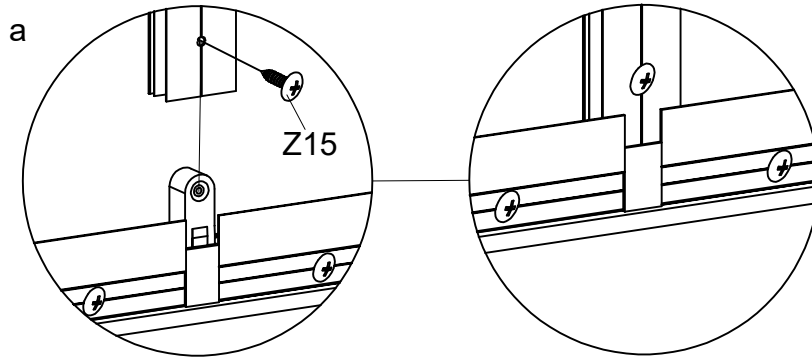


# Wall Assembly

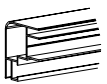



| PART  | NO            | QTY |
|---|---------------|-----|
|   | L24A          | 4   |
|   | L04A          | 2   |
|  | Z15<br>Ø4X12D | 2   |
|  | S26<br>M6X12  | 8   |

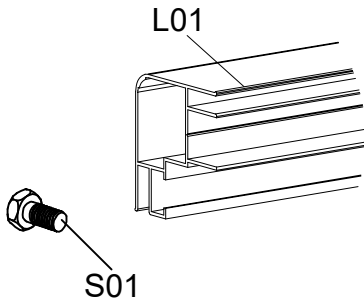
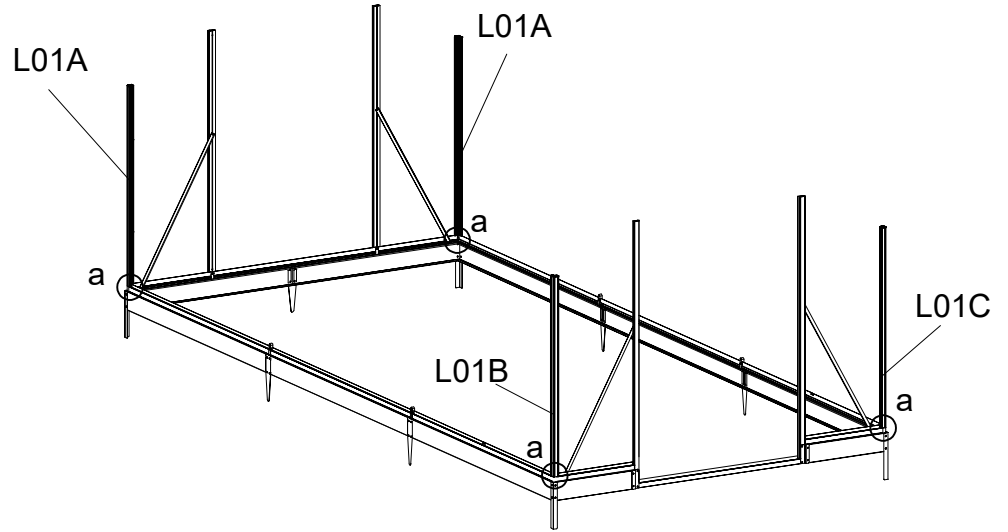


Note: If the center hole of L04A is closer to the top, it means the installation direction is correct.

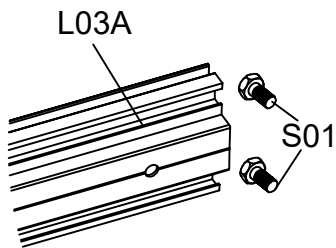


# Wall Assembly

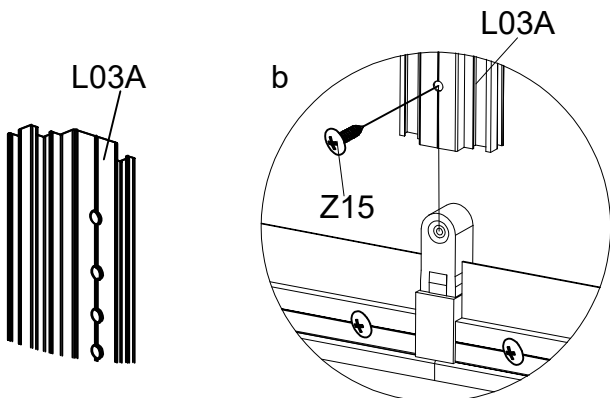
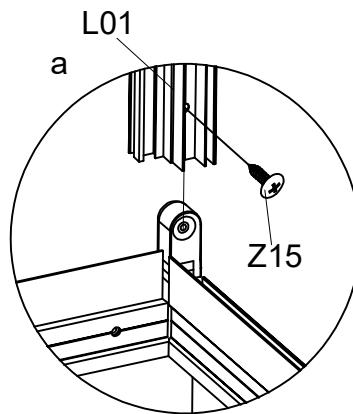
| PART  | NO            | QTY |
|---|---------------|-----|
|  | L01A          | 2   |
|   | L01B          | 1   |
|   | L01C          | 1   |
|   | L03A          | 4   |
|  | Z15<br>Ø4X12D | 12  |
|  | S01<br>M6X10  | 12  |



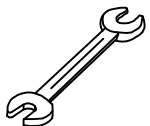
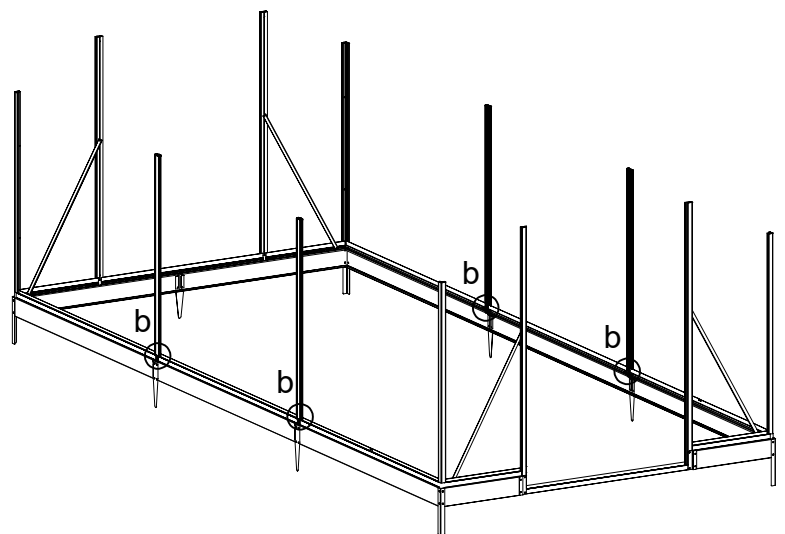
Insert the S01 screw into the slide slot of the L01.





Insert the S01 screw into the two slide slot of the L03 respectively.

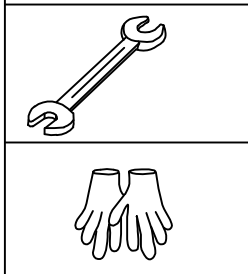
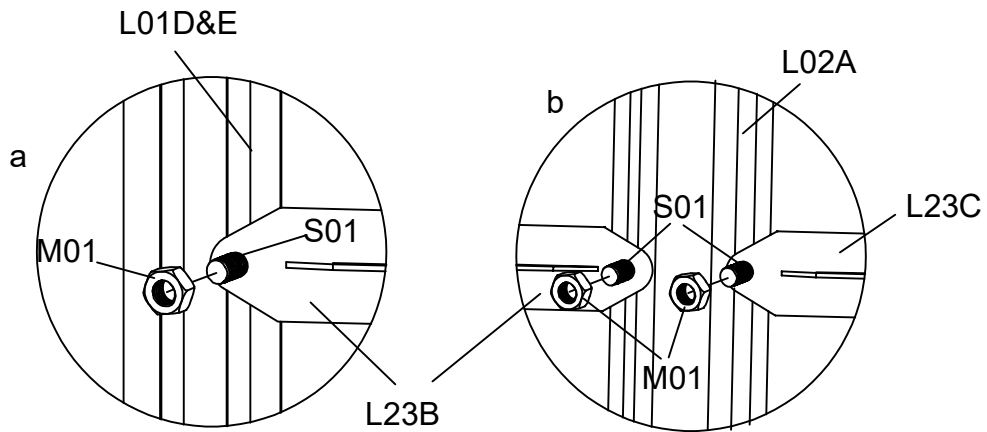
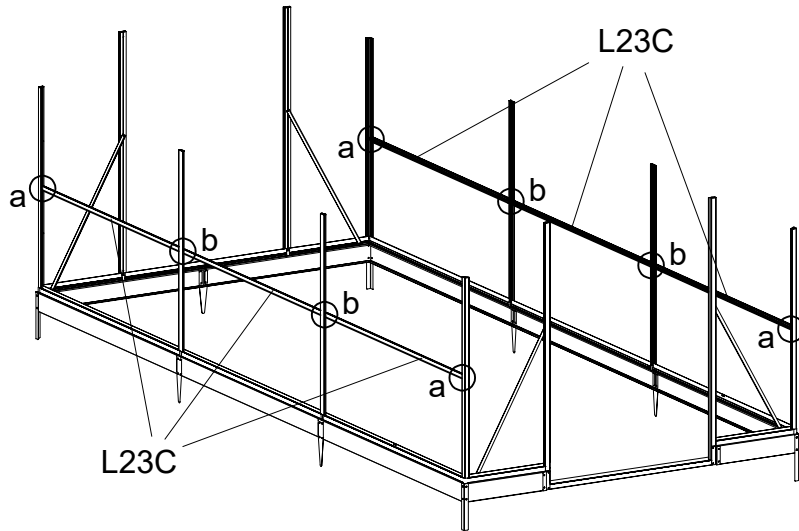


The end of the L03A profile with more holes should be facing upward.

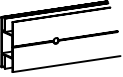




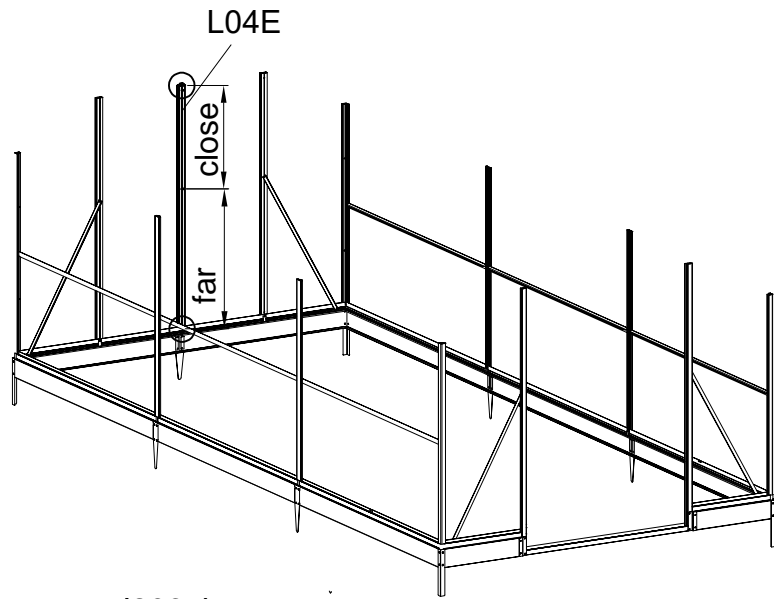
# Wall Assembly

| PART  | NO        | QTY |
|---|-----------|-----|
|   | L23C      | 6   |
|  | M01<br>M6 | 12  |

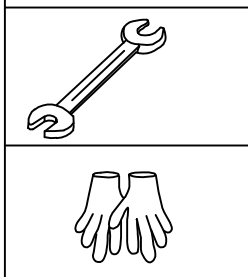
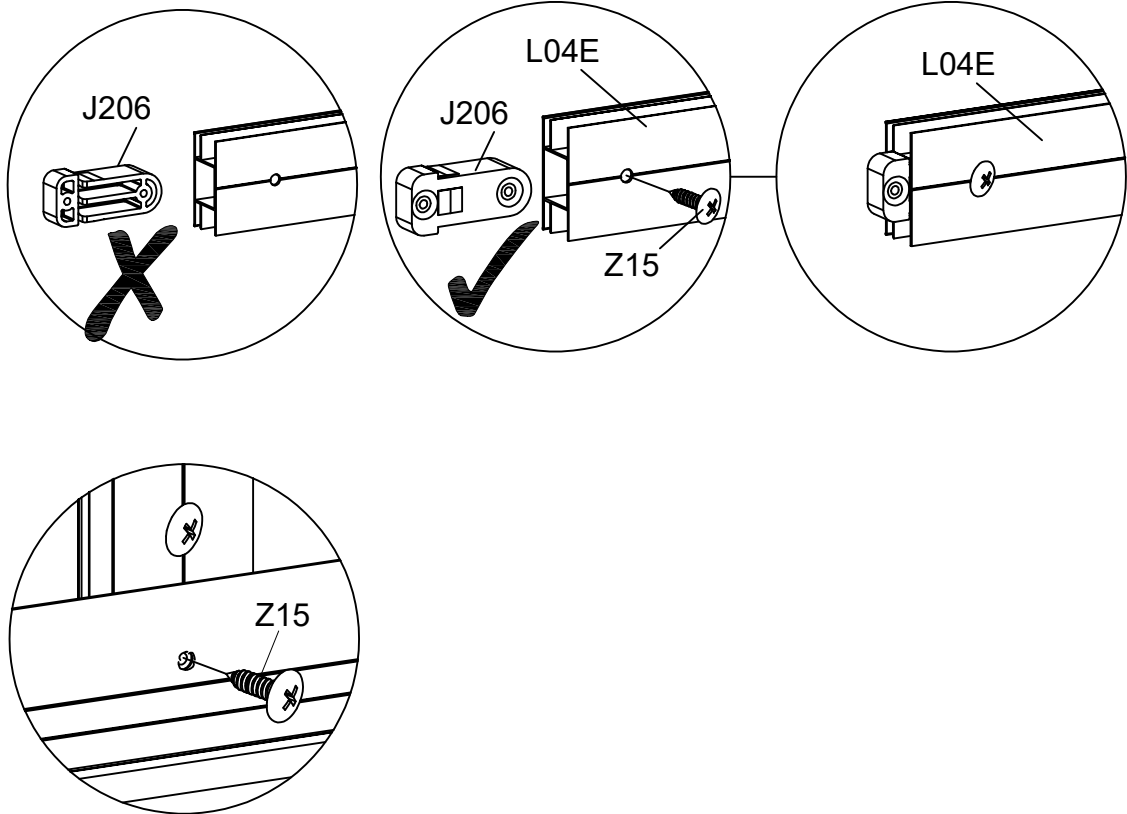






# Wall Assembly

| PART  | NO            | QTY |
|---|---------------|-----|
|   | L04E          | 1   |
|  | J206          | 2   |
|  | Z15<br>Ø4X12D | 3   |

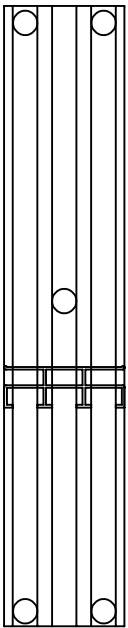
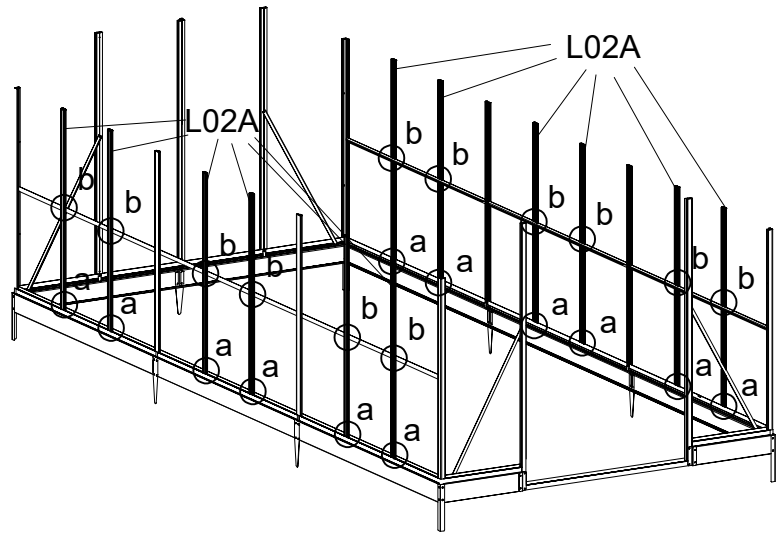


Both ends of L04E must use Z15 to secure J206, the center hole of L04E is closer to the top, and pay attention to the direction of J206 when installing.

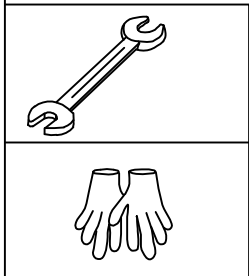
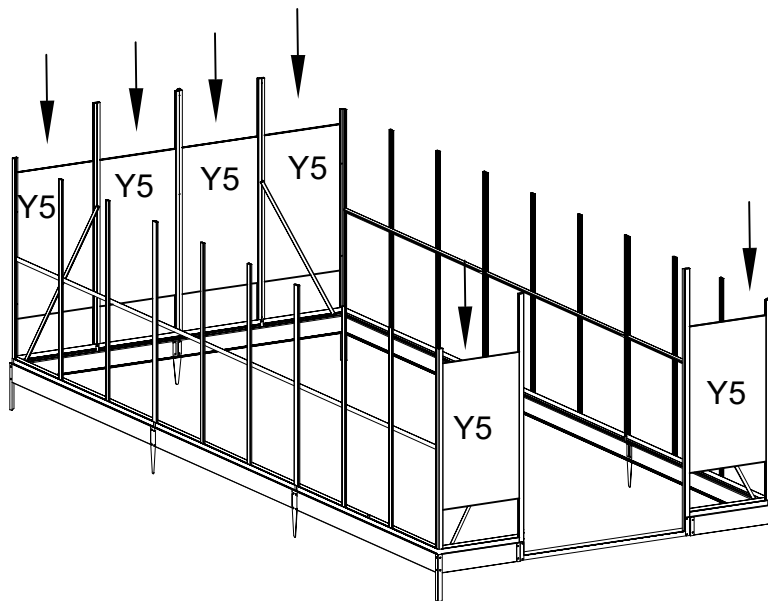
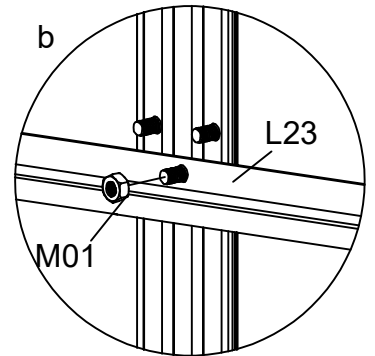
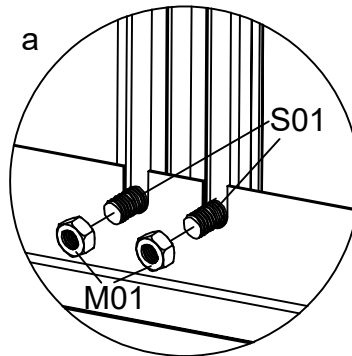
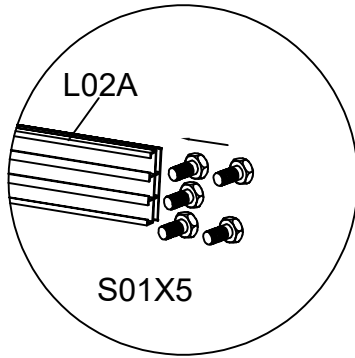


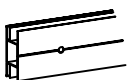



| PART  | NO           | QTY |
|---|--------------|-----|
|   | L02A         | 12  |
|  | S01<br>M6X10 | 60  |
|  | M01<br>M6    | 36  |
|  | Y5           | 6   |

# Wall Assembly



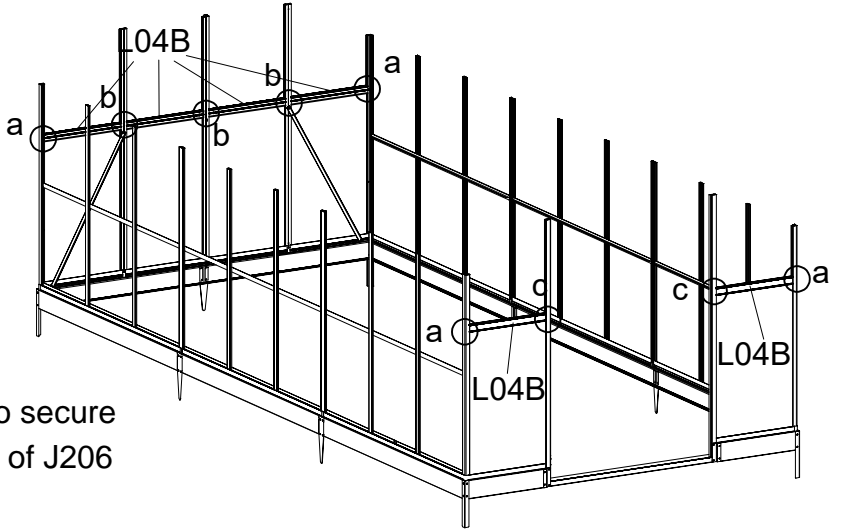
Slide in 5 S01 screws to L02A with 2 slots at each end and 1 screws in the middle, as shown on the left picture.



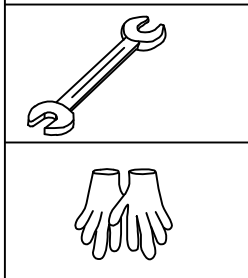
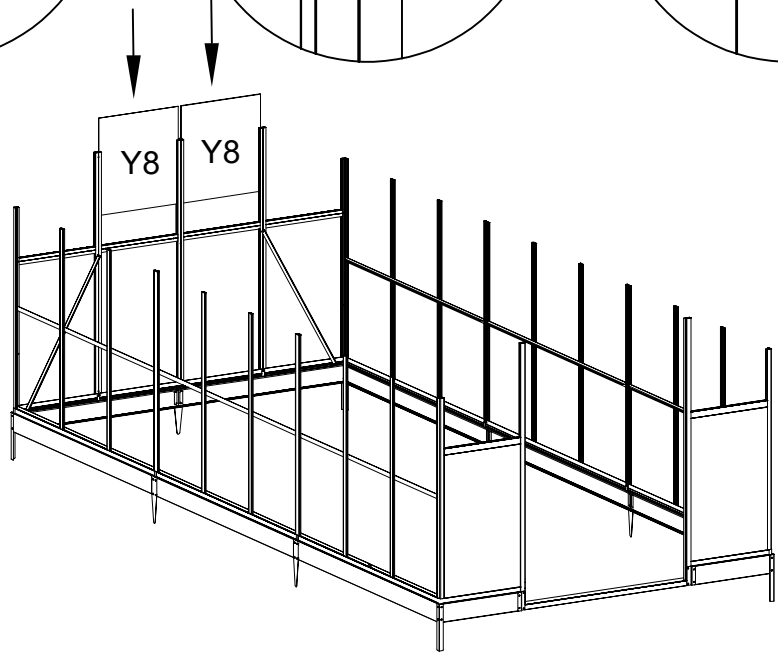
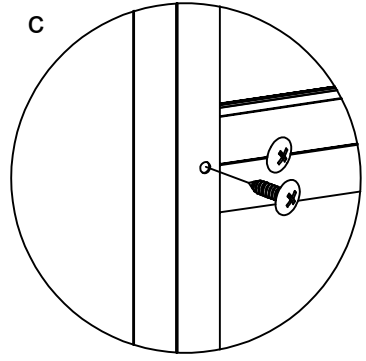
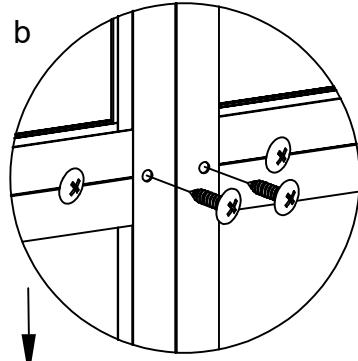
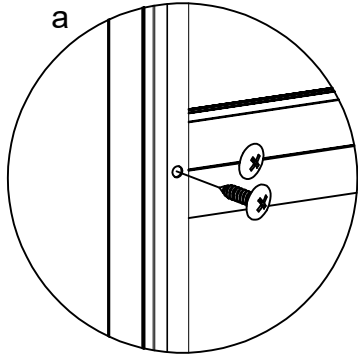
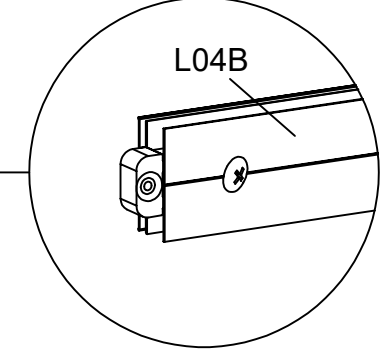
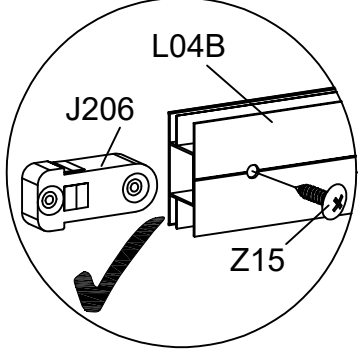
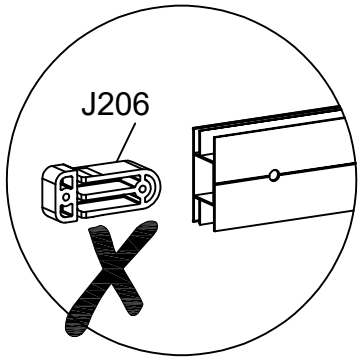
| PART  | NO            | QTY |
|---|---------------|-----|
|   | L04B          | 6   |
|  | J206          | 12  |
|  | Z15<br>Ø4X12D | 24  |
|  | Y8            | 2   |

Put the panels into positions

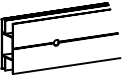
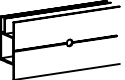



# Wall Assembly

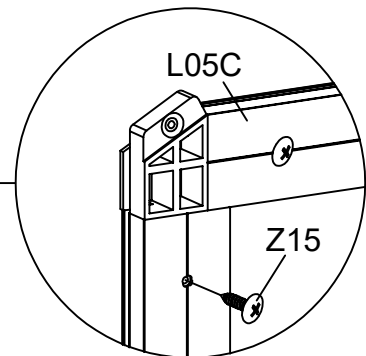
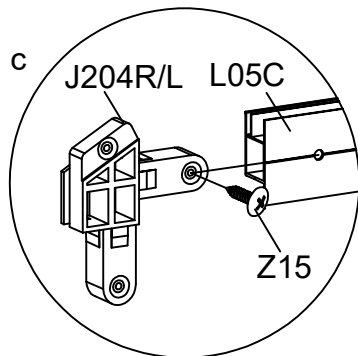
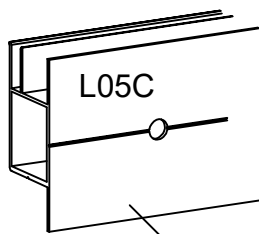
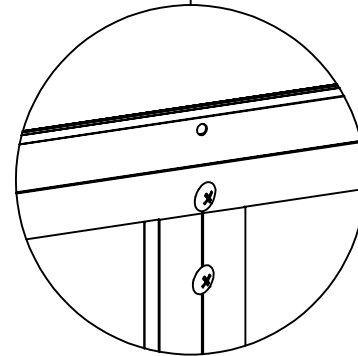
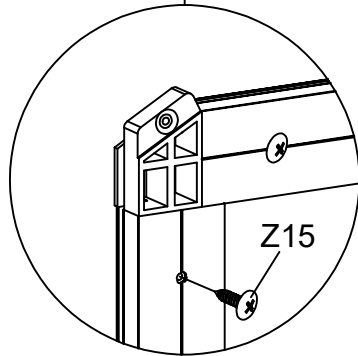
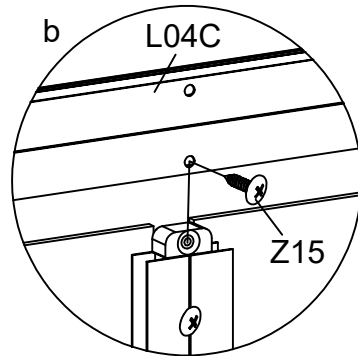
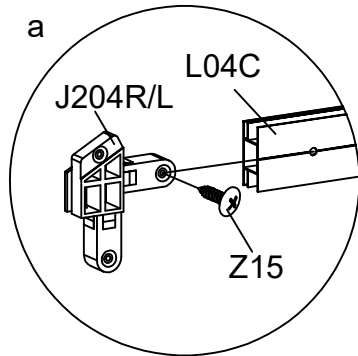
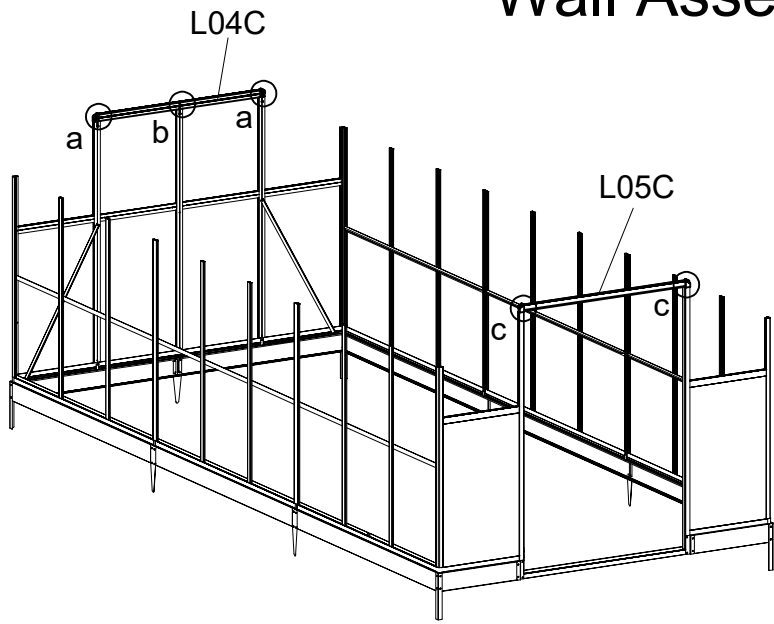


Both ends of L04E must use Z15 to secure J206, pay attention to the direction of J206 when installing.

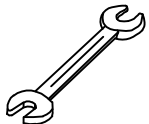


# Wall Assembly

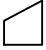


| PART  | NO            | QTY |
|---|---------------|-----|
|   | L04C          | 1   |
|   | L05C          | 1   |
|  | J204R         | 2   |
|  | J204L         | 2   |
|  | Z15<br>Ø4X12D | 9   |

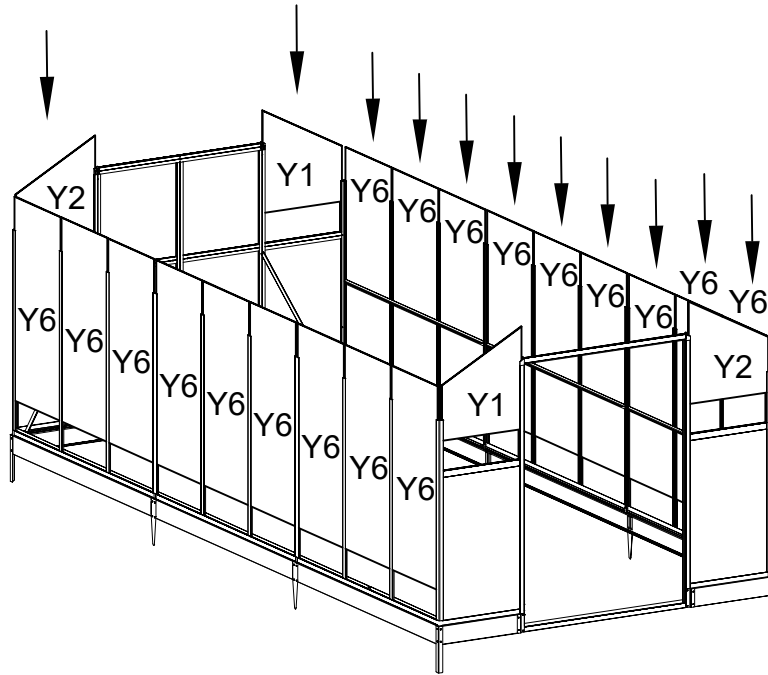







Note: The side of the L05C part without a solar panel slot should face downwards.



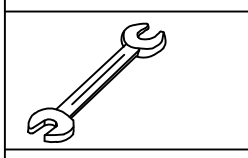
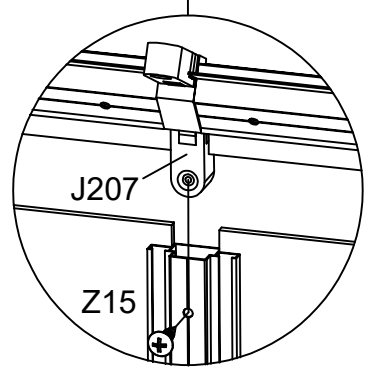
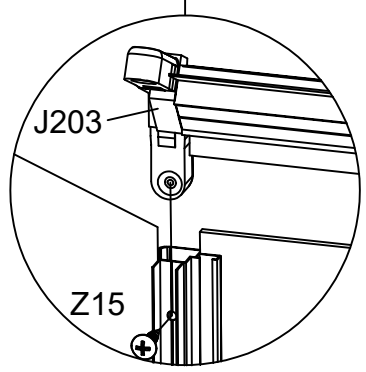
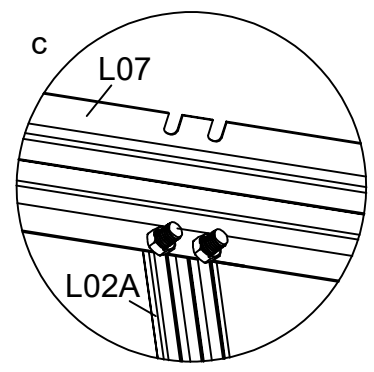
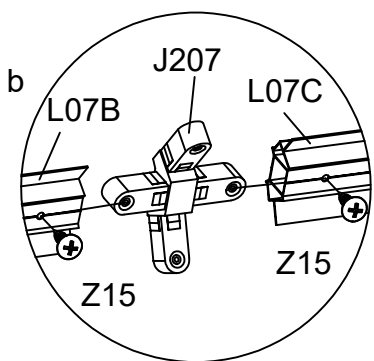
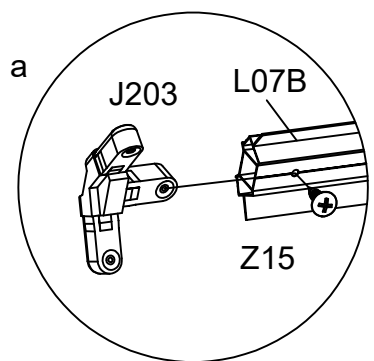
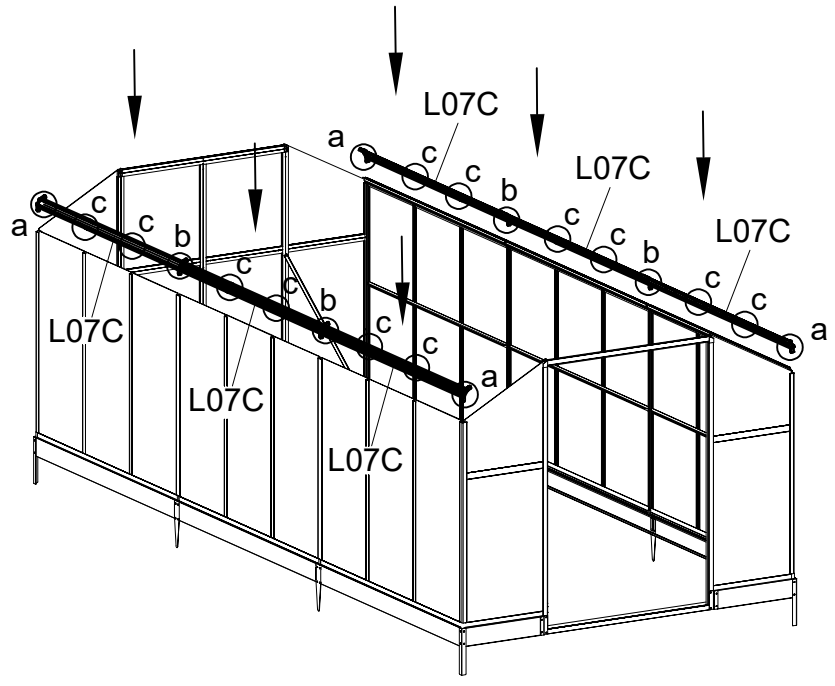
# Wall Assembly

| PART  | NO | QTY |
|---|----|-----|
|  | Y1 | 2   |
|  | Y2 | 2   |
|  | Y6 | 18  |

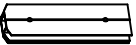



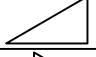
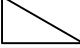


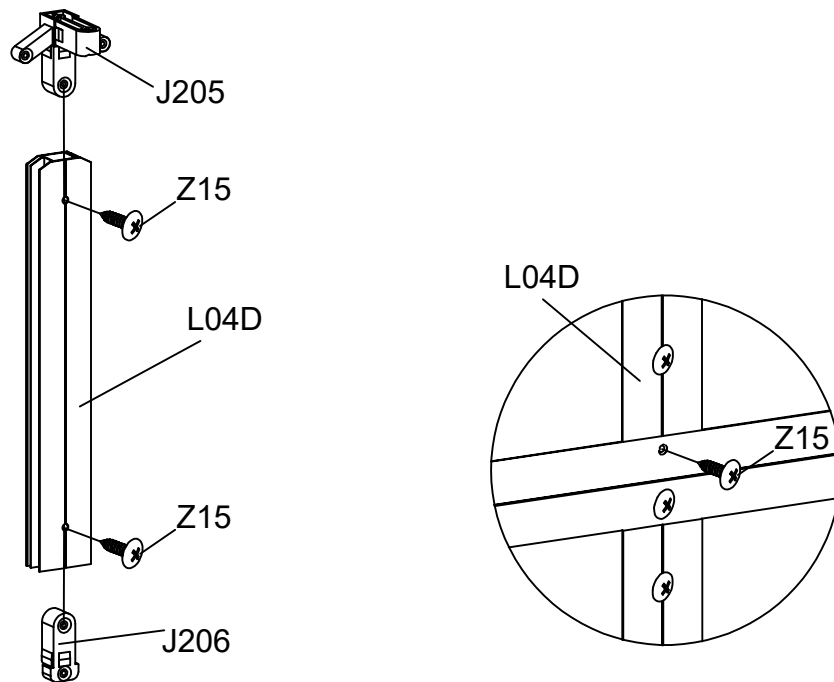
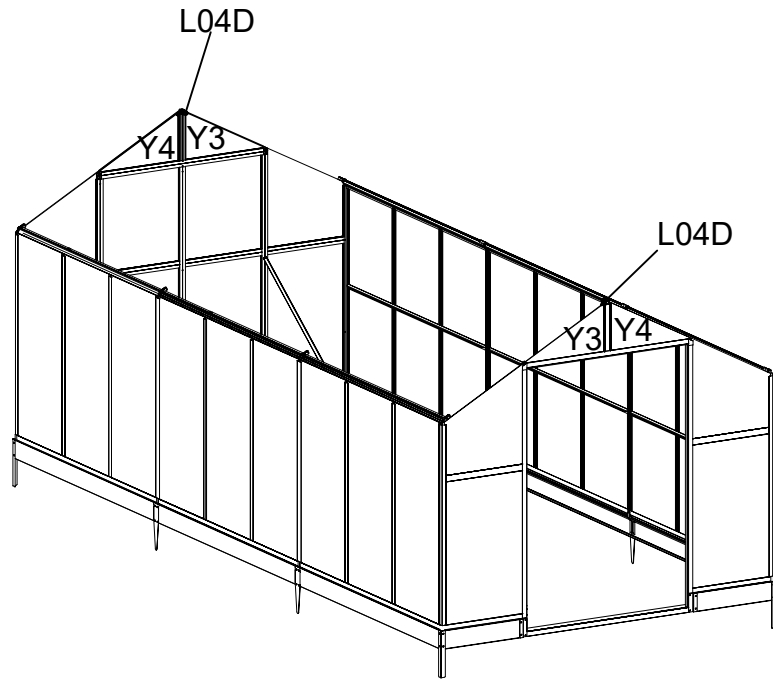
| PART  | NO            | QTY |
|---|---------------|-----|
|   | L07C          | 6   |
|  | J203          | 4   |
|  | J207          | 4   |
|  | M01<br>M6     | 16  |
|  | Z15<br>Ø4X12D | 20  |

# Wall Assembly

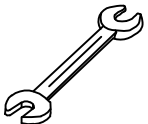


# Wall Assembly

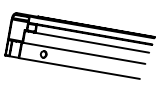

| PART  | NO            | QTY |
|---|---------------|-----|
|   | L04D          | 2   |
|  | J205          | 2   |
|  | J206          | 2   |
|  | Z15<br>Ø4X12D | 6   |
|   | Y3            | 2   |
|  | Y4            | 2   |

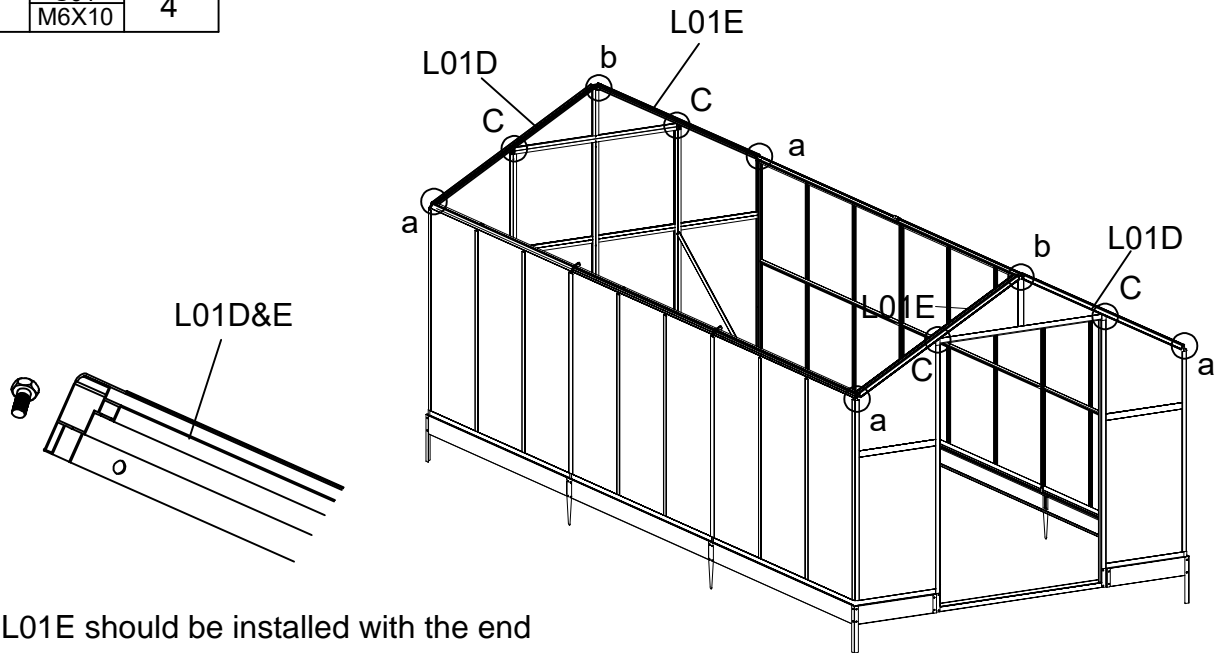


L04D has a cut corner on the side facing up, with J205 on the upper end and J206 on the lower end.

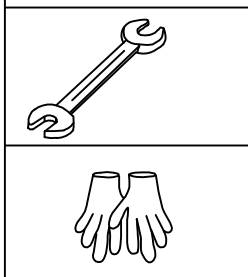
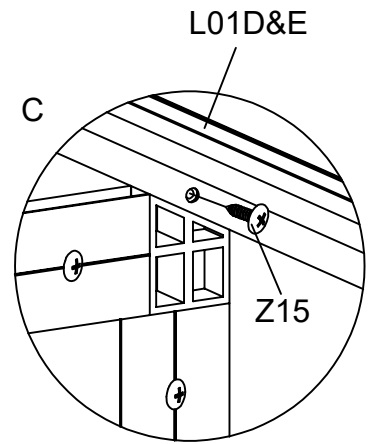
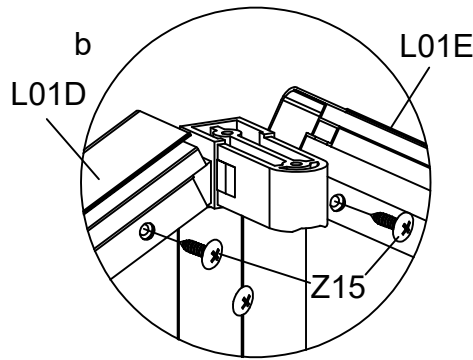
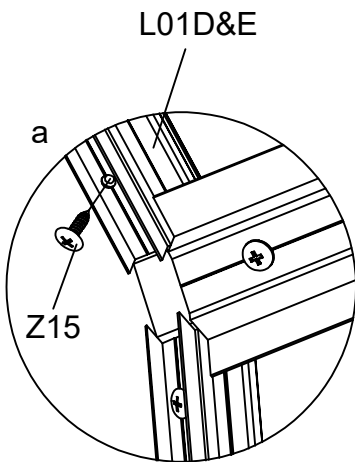


# Wall Assembly





| PART  | NO            | QTY |
|---|---------------|-----|
|   | L01D          | 2   |
|   | L01E          | 2   |
|  | Z15<br>Ø4X12D | 12  |
|   | S01<br>M6X10  | 4   |

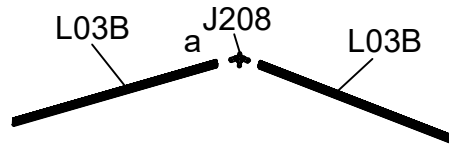


L01D and L01E should be installed with the end of the hole facing upwards, and 1 S01 should be inserted into the slot.

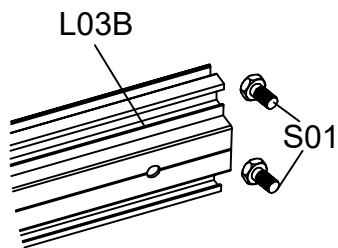
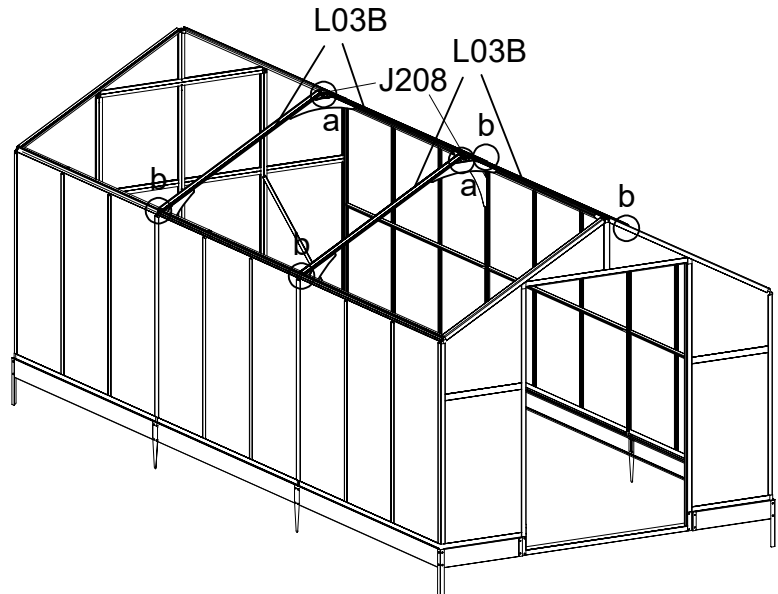
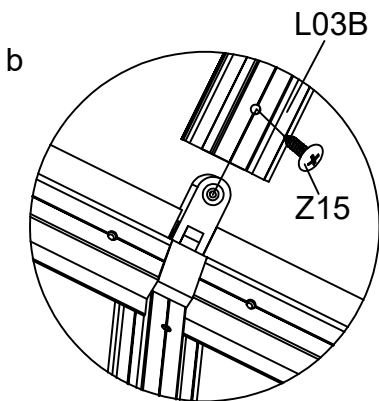
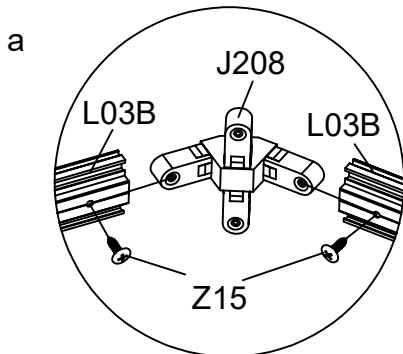


# Top Assembly

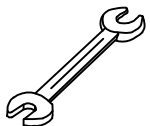
| PART  | NO            | QTY |
|---|---------------|-----|
|   | L03B          | 4   |
|  | J208          | 2   |
|  | Z15<br>Ø4X12D | 8   |
|  | S01<br>M6X10  | 12  |








Link the two L03Bs with J208 (installed on the ground first)

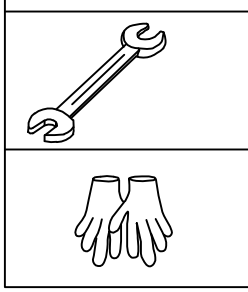
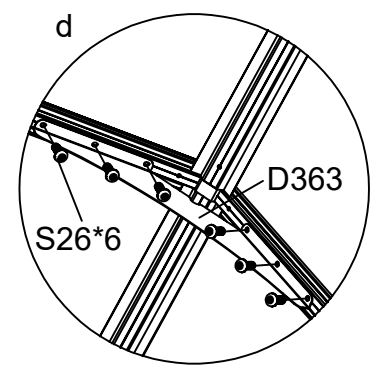
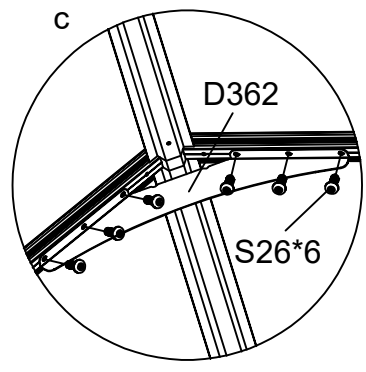
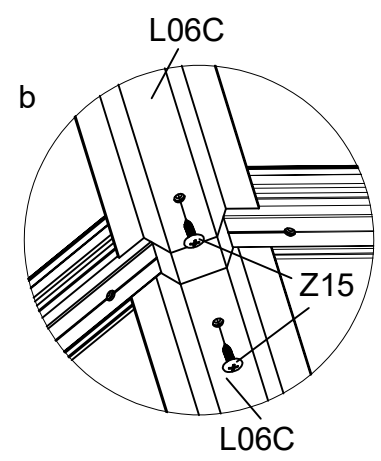
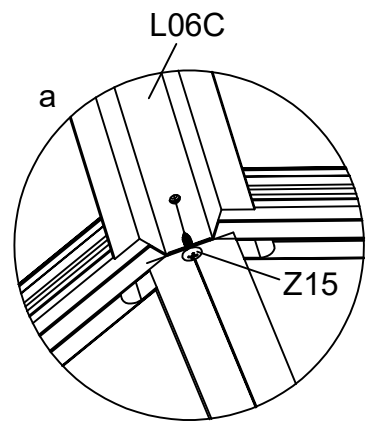
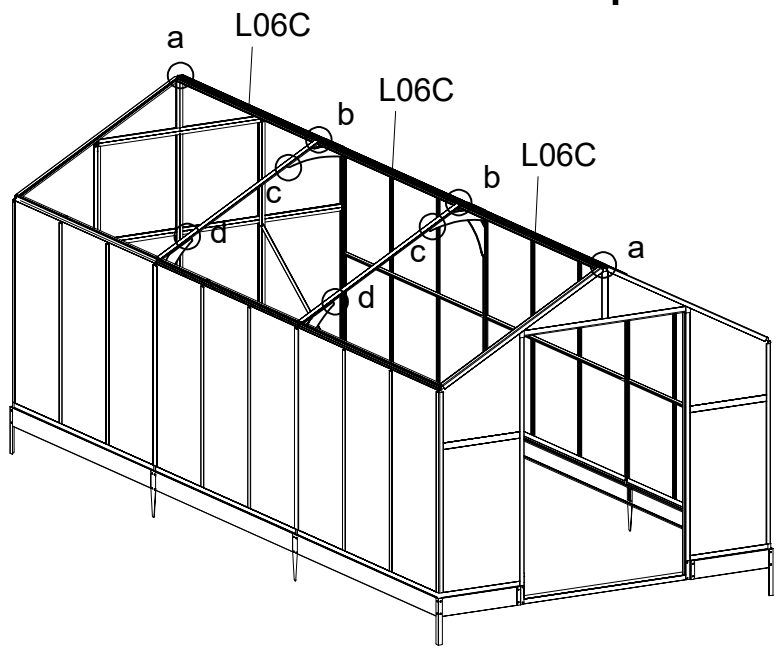


Insert the S01 screw into the two slide slot of the L03 respectively.






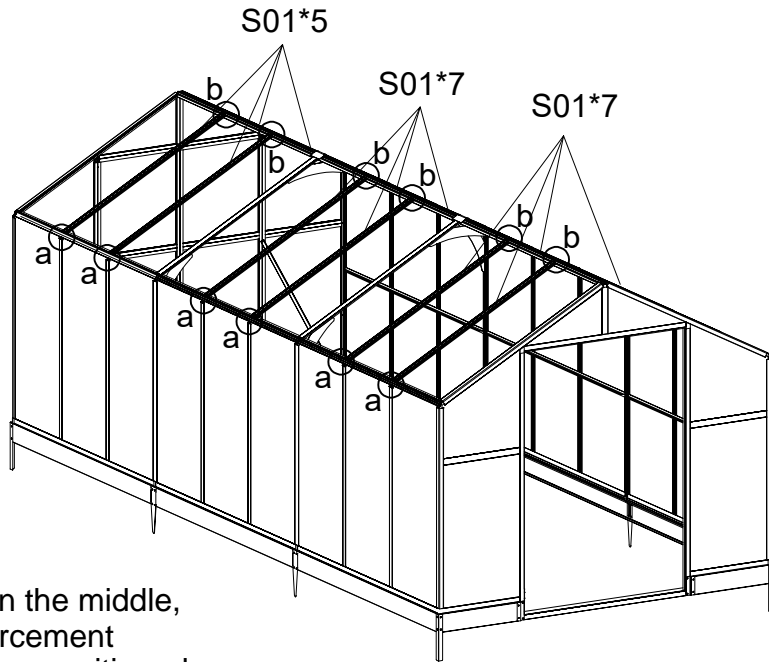
| PART  | NO            | QTY |
|---|---------------|-----|
|   | L06C          | 3   |
|   | D362          | 2   |
|   | D363          | 4   |
|  | S26<br>M5X12  | 36  |
|  | Z15<br>Ø4X12D | 6   |

# Top Assembly

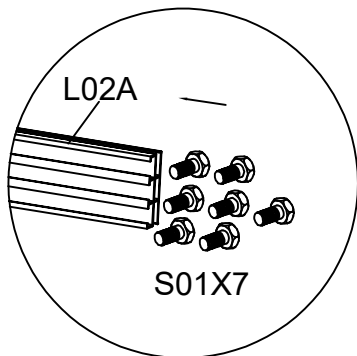


# Top Assembly

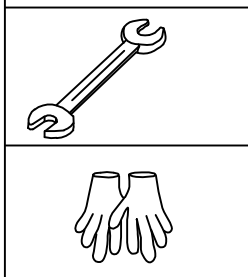
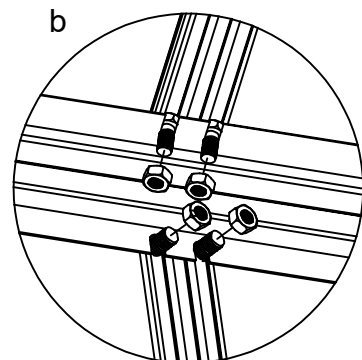
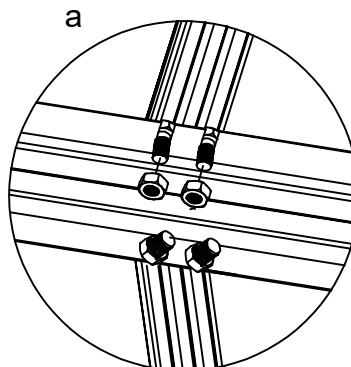
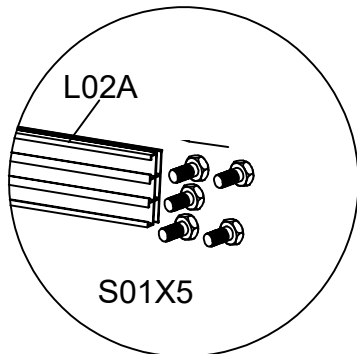
| PART  | NO           | QTY |
|---|--------------|-----|
|   | L02A         | 12  |
|  | S01<br>M6X10 | 76  |
|  | M01<br>M6    | 48  |







Note: Among the three screws in the middle, one is used to secure the reinforcement rib (L23C), while the other two are positioned above and below the reinforcement rib (L23C), respectively.

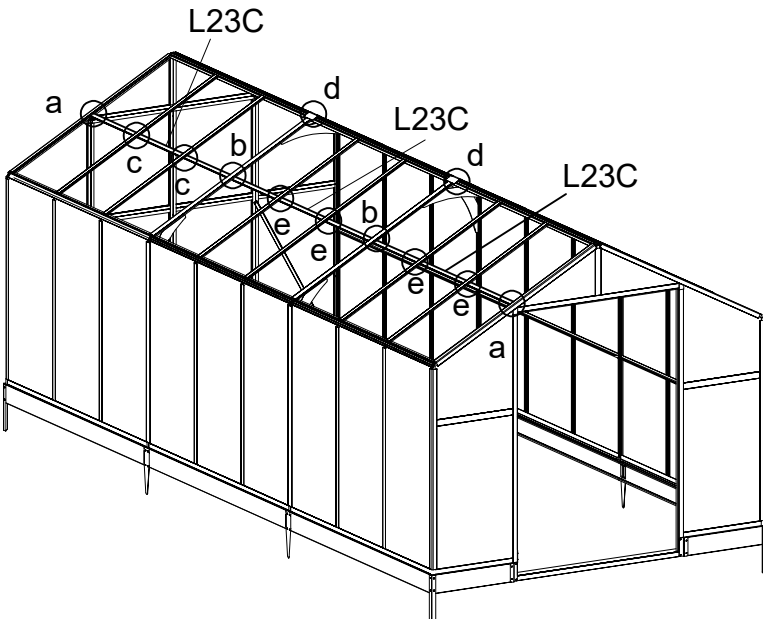


Slide 7 S01 screws to the L02A need to install windows (two at each end, three in the center), slide 5 S01 screws to the rest of the L02A (two at each end, one in the middle)

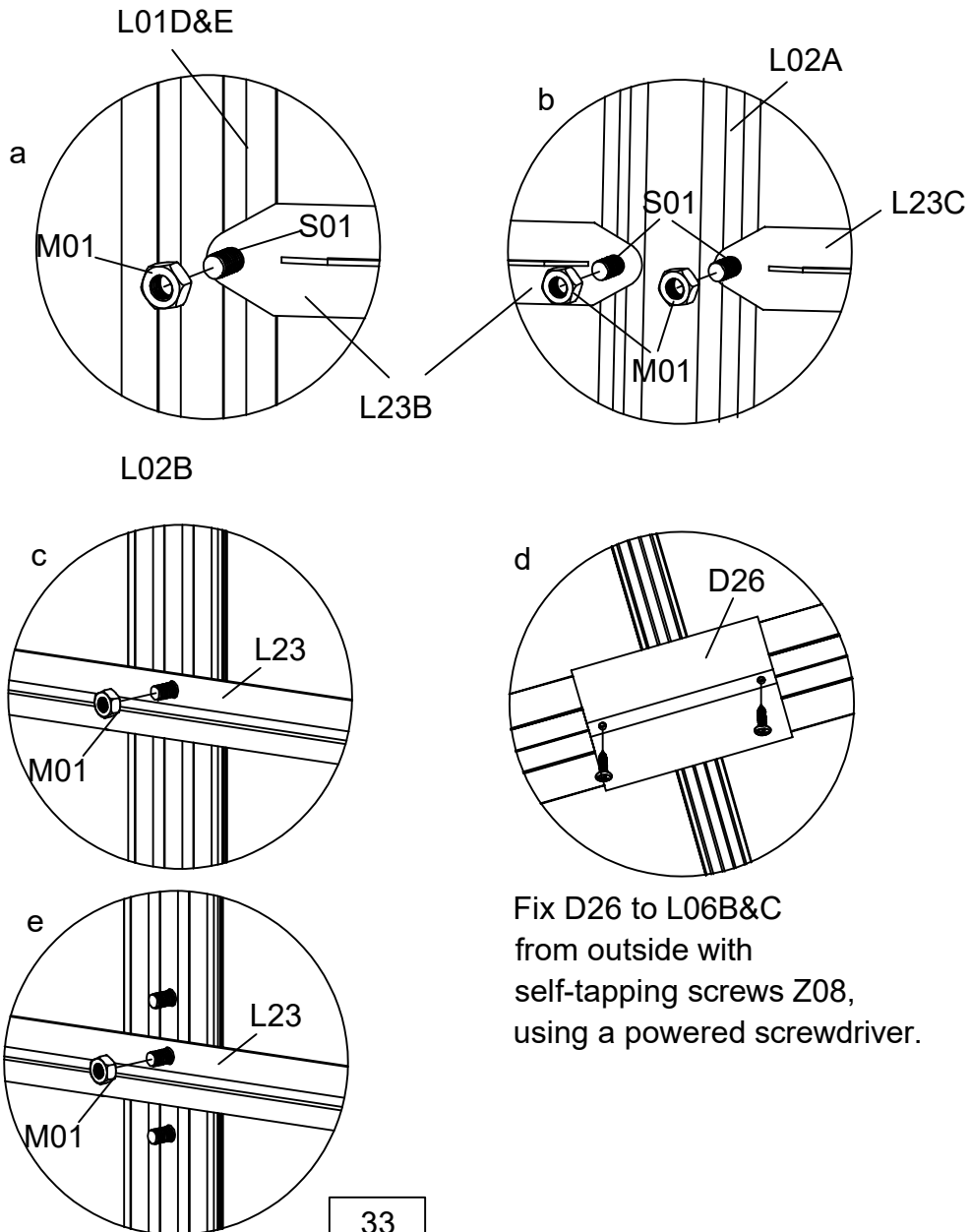


| PART  | NO      | QTY |
|---|---------|-----|
|   | L23C    | 6   |
|  | D26     | 2   |
|  | M01     | 24  |
|   | M6      |     |
|  | Z08     | 4   |
|   | M4.2X16 |     |

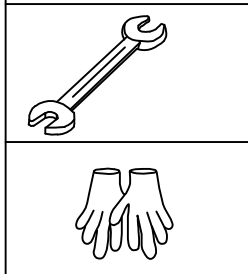
# Top Assembly







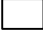


L23B&C with the extra reinforced edge in the middle should face inside.

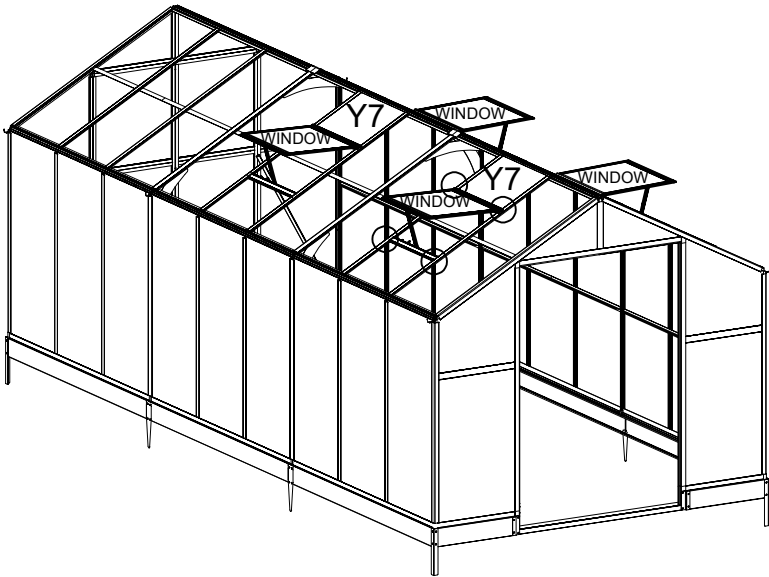


Fix D26 to L06B&C from outside with self-tapping screws Z08, using a powered screwdriver.

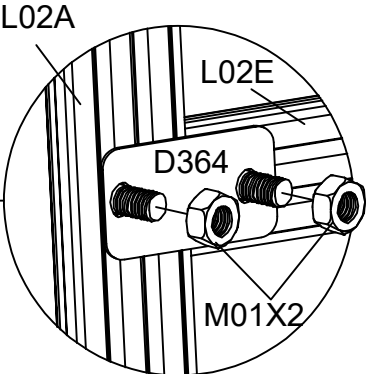
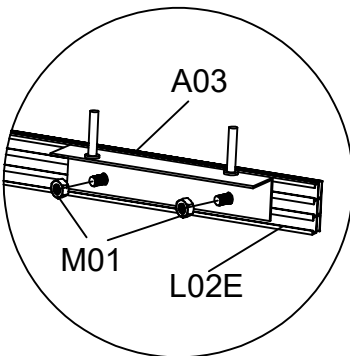
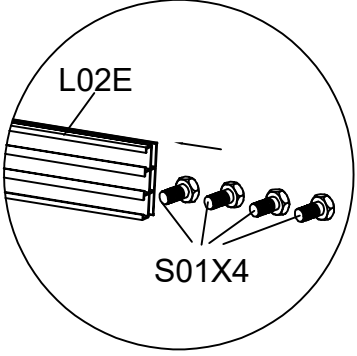


# Top Assembly

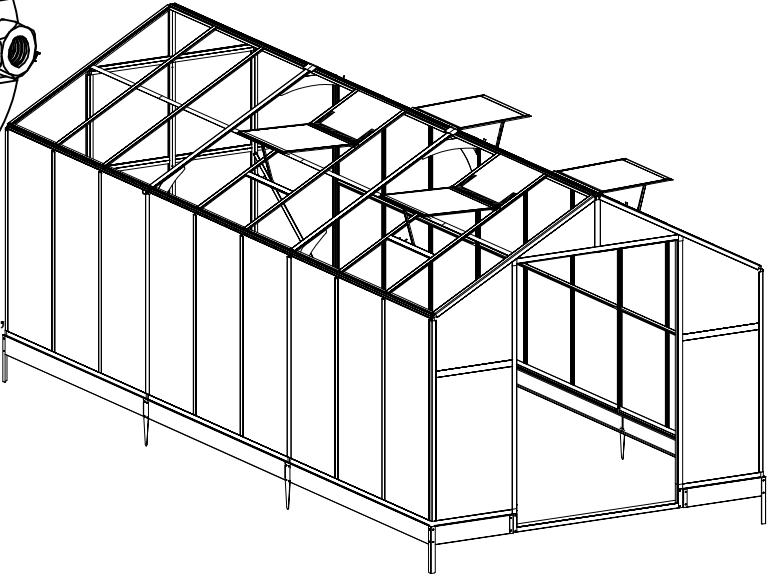
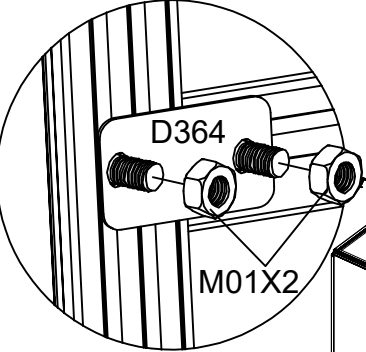
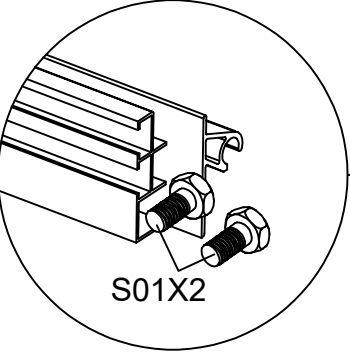
| PART  | NO           | QTY |
|---|--------------|-----|
|   | L02E         | 4   |
|  | A03          | 4   |
|  | WINDOW       | 4   |
|  | D364         | 16  |
|  | Y7           | 4   |
|  | S01<br>M6X10 | 24  |
|  | M01<br>M6    | 40  |



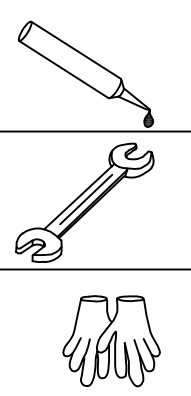
attention to sliding into the middle chute



When installing L02E, the window needs to be lifted up to avoid the window not opening after the installation is complete



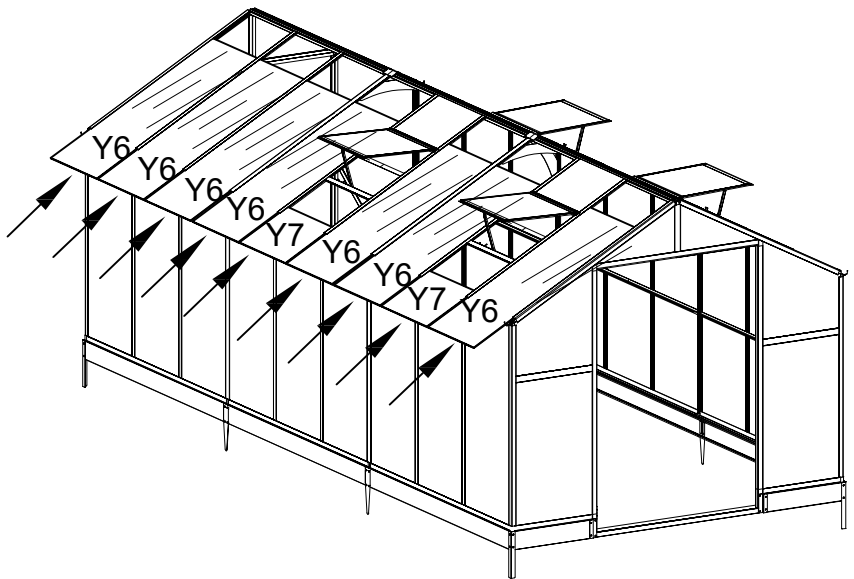
Slide 2 bolts (S01) into each L12A, and bolt it to L02A, using the S01 & M01.



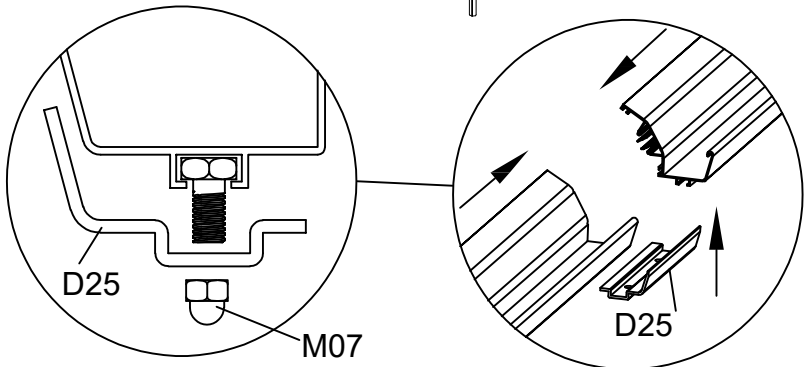
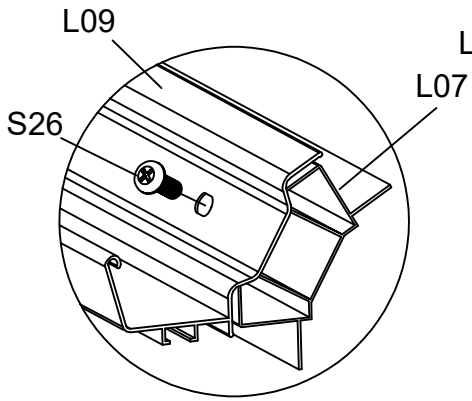
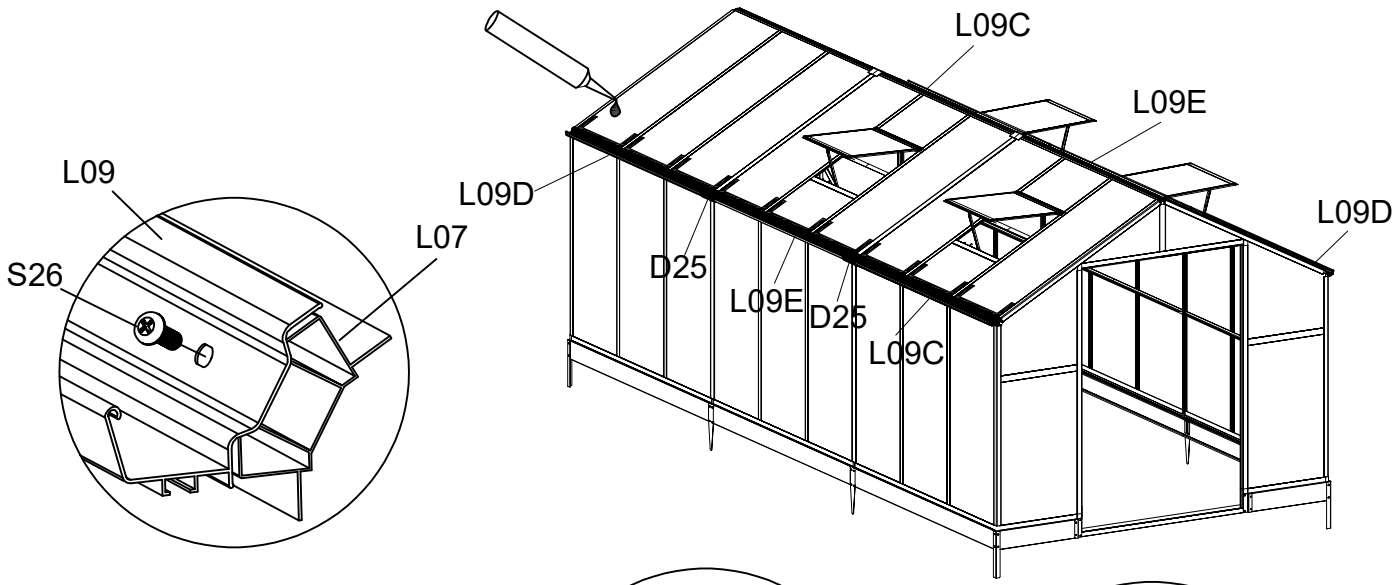
After the panels and windows are in position, put some silicone sealant around to avoid leaking water.

# Top Assembly

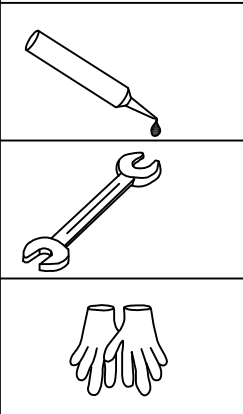
| PART | NO    | QTY |
|------|-------|-----|
|      | L09C  | 2   |
|      | L09D  | 2   |
|      | L09E  | 2   |
|      | D25   | 4   |
|      | S26   | 36  |
|      | M5X12 |     |
|      | S01   | 8   |
|      | M6X12 |     |
|      | M07   | 8   |
|      | M6    |     |
|      | Y6    | 14  |
|      | Y7    | 4   |








After the panels and windows are in position, put some silicone sealant around to avoid leaking water.

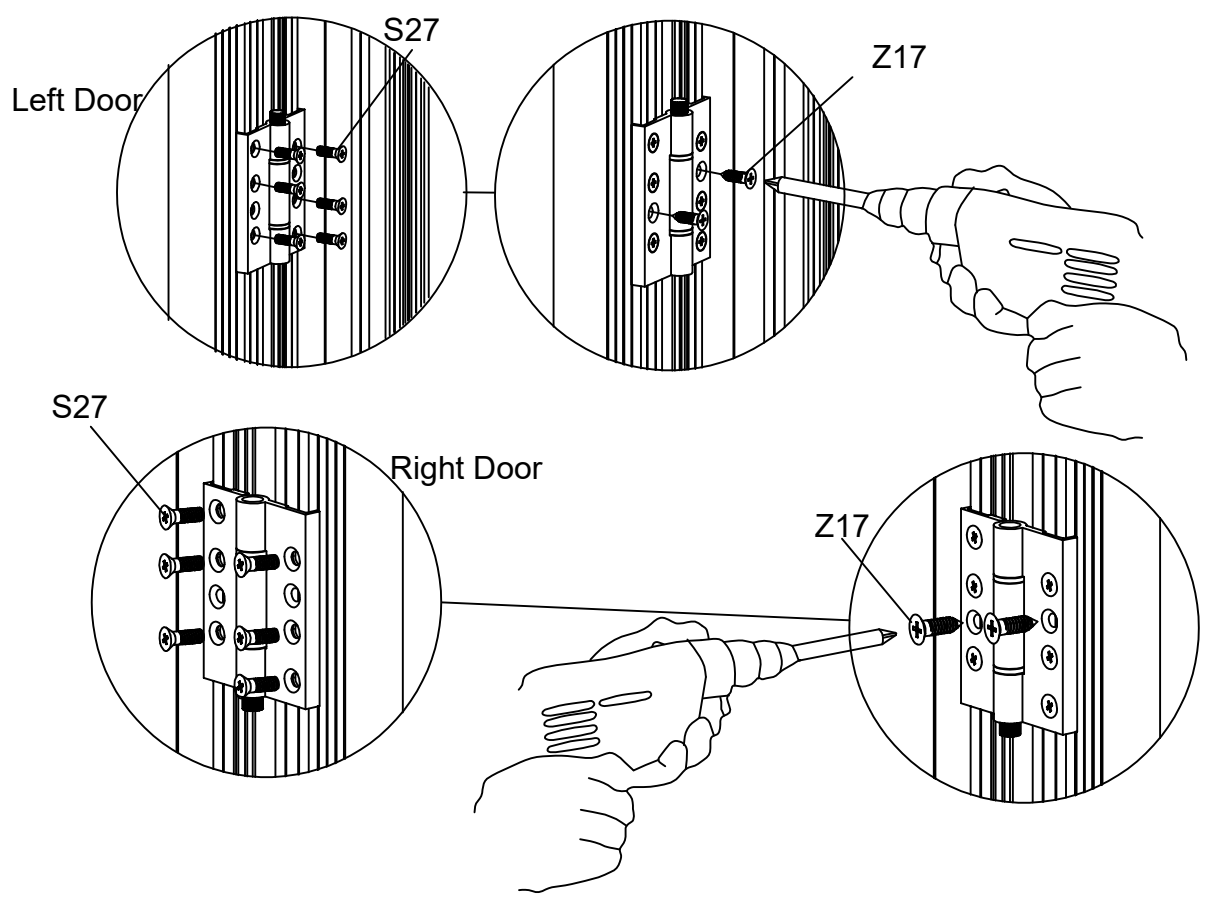
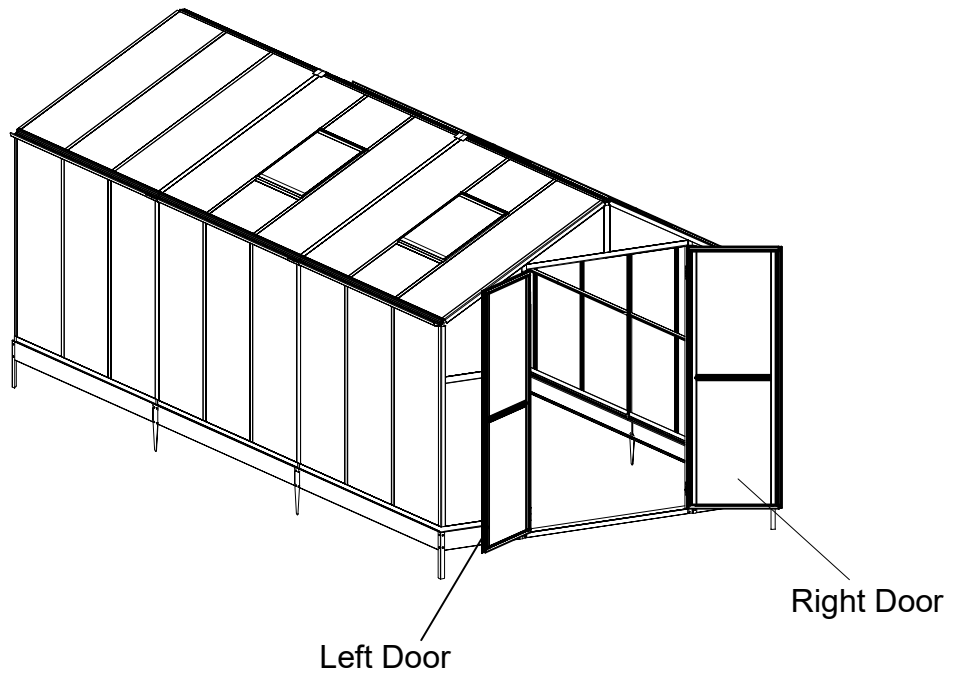


Slide 1\*S01 into the bolt channel of both L09, fix D25 to L09 using S01 & M07.

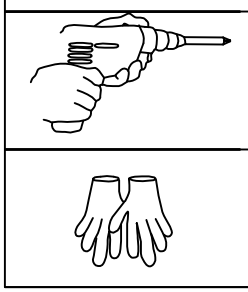


| PART   | NO             | QTY |
|--|----------------|-----|
|  | D00R-L         | 1   |
|  | D00R-R         | 1   |
|  | A108           | 4   |
|  | Z17<br>M4.8X16 | 8   |
|  | S27<br>M5X12   | 24  |

# Door Assembly

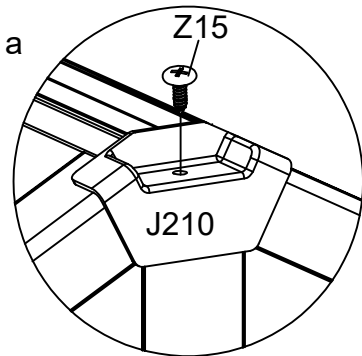
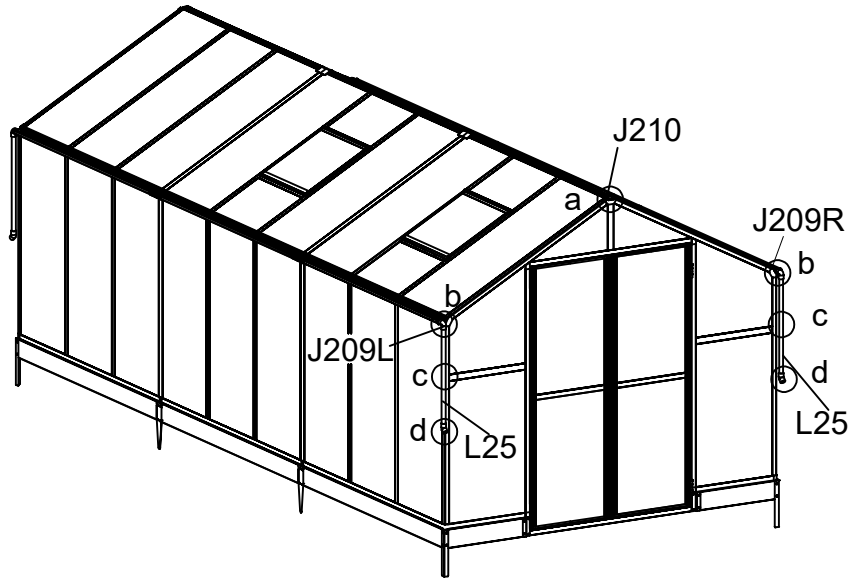


Fix A108(4 PCS) one side on the door profile and the other side to L02E/L02F using S27. Then secure with Z17.

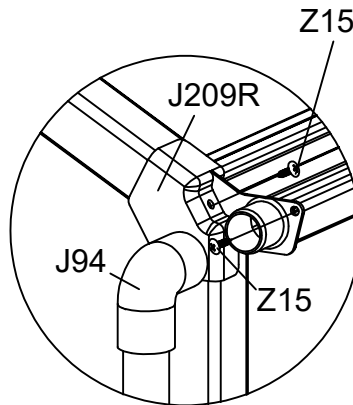
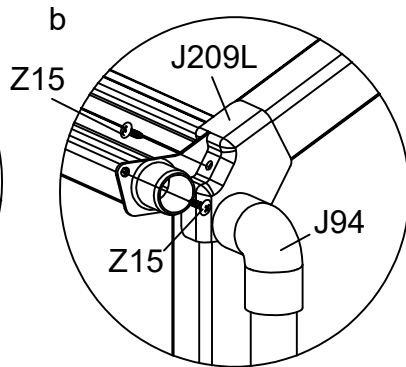


| PART | NO             | QTY |
|------|----------------|-----|
|      | J209R          | 2   |
|      | J209L          | 2   |
|      | J210           | 2   |
|      | J94            | 4   |
|      | L25            | 4   |
|      | J93            | 4   |
|      | J166           | 4   |
|      | Z08<br>M4.2X16 | 4   |
|      | Z15<br>Ø4X12D  | 10  |

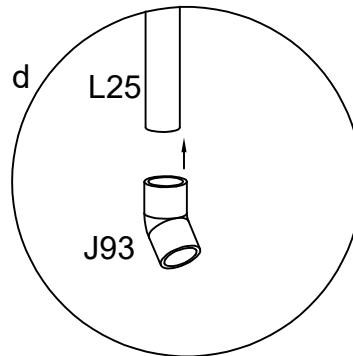
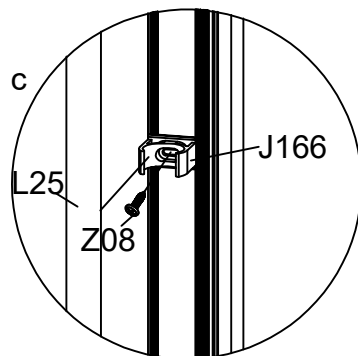
# Accessories Assembly



Fix the cover caps J210 into the ridge profile



Fix the cover caps (J209L/R) carefully with Z15. Be careful to ensure that the screws are driven in straight and in the correct position (see detail drawings).



Drill a hole in L01A/L01B, approximately 3mm diameter and 400mm down from the gutter. Fix the J166 downpipe bracket with Z08 screws and then clip the L25 downpipe into the J166 bracket.

If you wish to eliminate leaks, use glue when fixing the downpipe bends (not provided).

