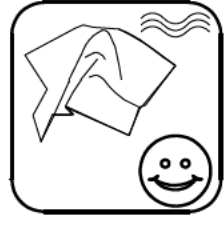
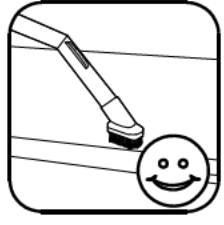
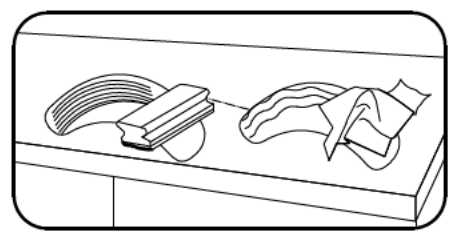
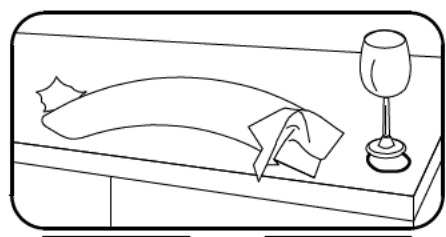
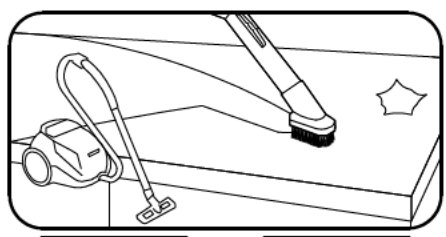
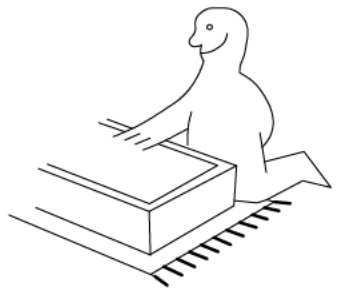
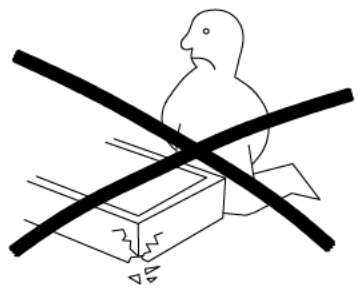
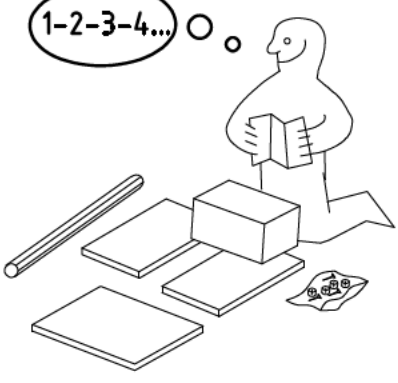












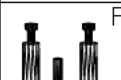
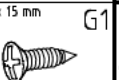
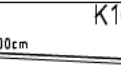

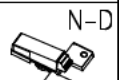



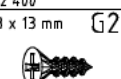


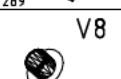













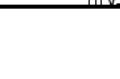

1-2-3-4... ○






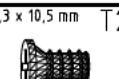
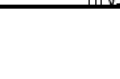


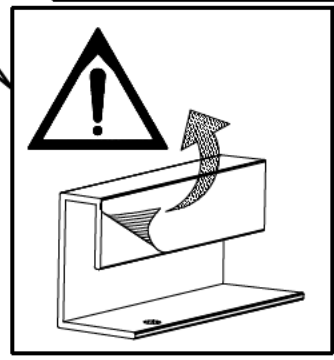
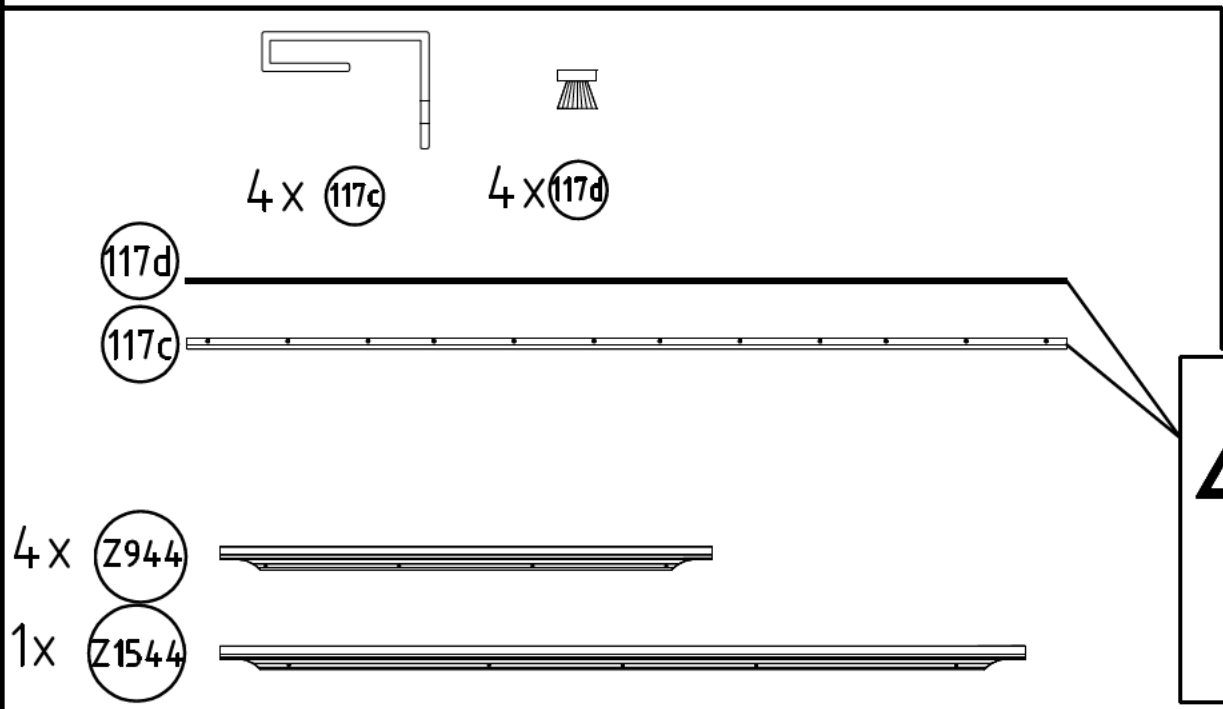
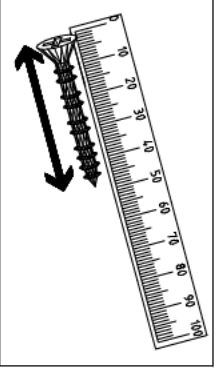
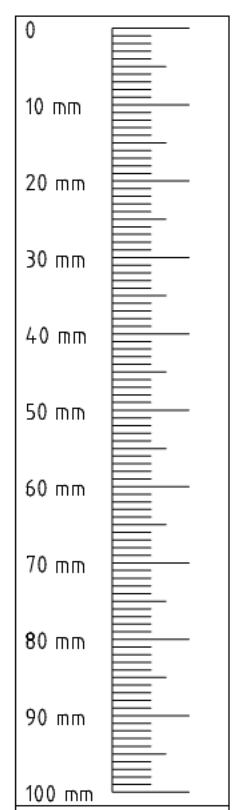
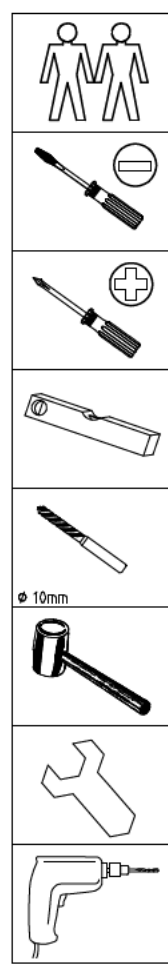
 111 xxx	A1	24x	 111 300	S0	15x	 117 002	K2	4x	 111 611	J2	15x	 112 220/1	Q45	4x	 111 052	o10	1x
 111 103	C	8x	 111 xxx φ12 3,5 x 15 mm	V12	15x	 117 002	SBV	32x	 112 055	T1	30x	 112 616	T3	16x	 121 122	SP13	4x
 122620	F3	8x	 121 370	G1	48x	 100cm	K10	2x	 111 607	L8	20x	 112 291	N-D	2x	 112 289	N1	6x
 122620	SP27	36x	 353 018 φ8 x 30	D	4x	 112 400 3 x 13 mm	K10	21x	 352 302	KP8	12x		M1	6x	 111 xxx φ8	V8	2x

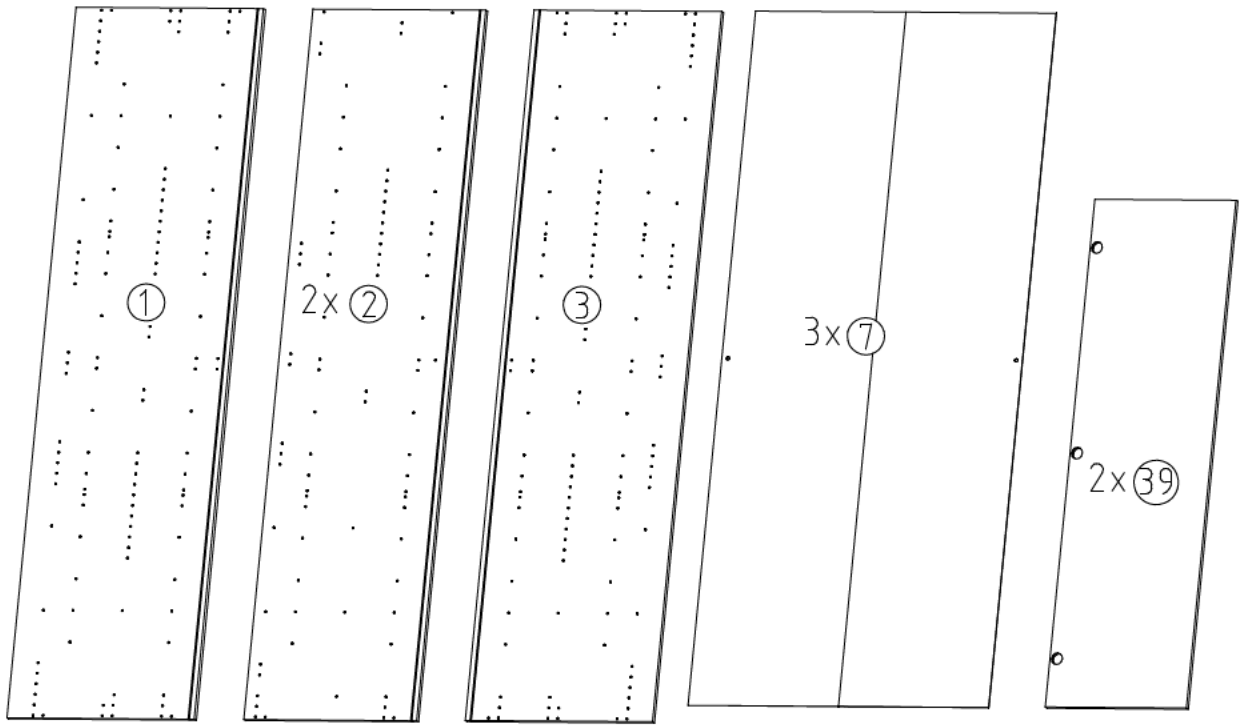
1x **FPK**
1453/1940/2430/2920/3408

1x **SWT-LP**
1453/1940/2430/29203trg
/3410 SY

 121 xxx	SWT-ST	2x	 M4 x 13 mm GH13	SWT-SM5	2x	 121 xxx	GH13	6x	 M4 x 10 mm 121 xxx	G43	6x	 114 183	SWH 6	4x
 121 004	SWH-SKL	1x	 3,5 x 22 mm G24	SWH-SKR	1x	 121 004	G24	10x	 3,5 x 35 mm 121 375	G14	2x	 4 x 13 mm 121 122	SP13	68x
 111 030	SWH-SKR	1x	 6,3 x 10,5 mm T2	T2	28x									
 114 183	H5	4x												

 121 004	SWH-SKL	1x	 3,5 x 22 mm G24	SWH-SKR	1x	 121 004	G24	10x	 3,5 x 35 mm 121 375	G14	2x	 4 x 13 mm 121 122	SP13	68x
 111 030	SWH-SKR	1x	 6,3 x 10,5 mm T2	T2	28x									





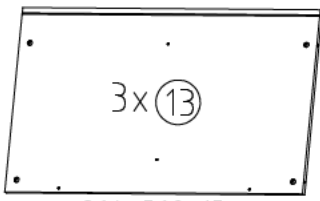
2352x607x15

2352x560x15

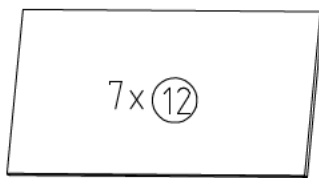
2352x607x15

2303x973x2,5

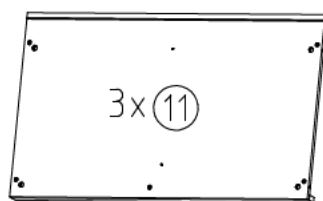
1544x457x15



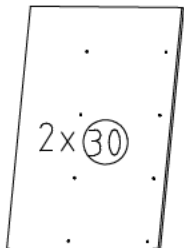
964x560x15



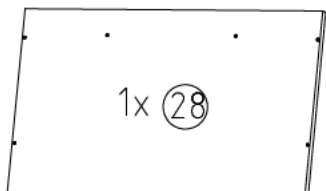
964x500x18



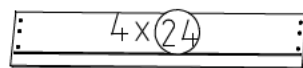
964x560x47



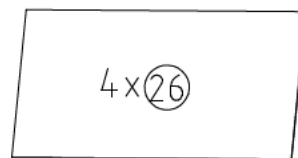
737x490x15



964x560x22



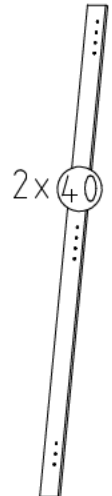
944x163x15



905x449x2,5



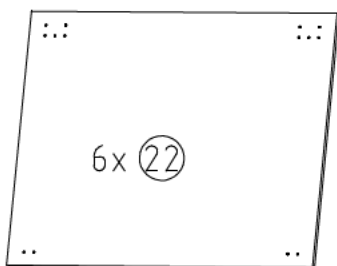
2251x42x15



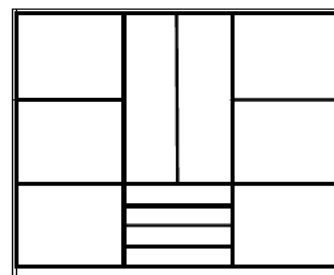
1495x59x15



450/919/450x126x12

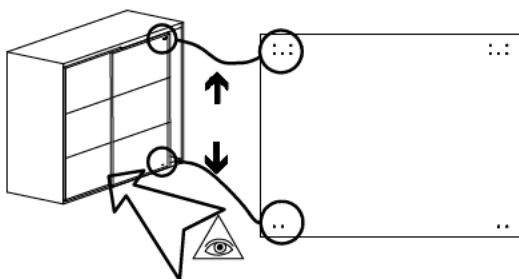


990x772x15

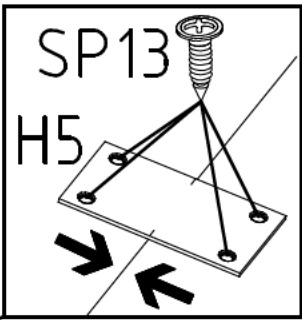
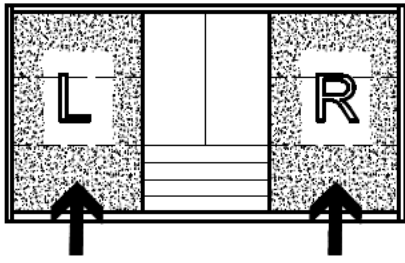


L

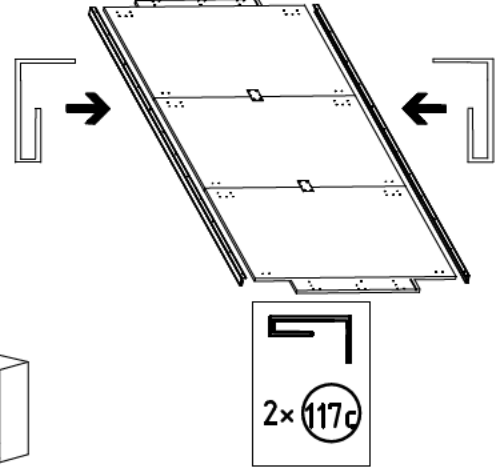
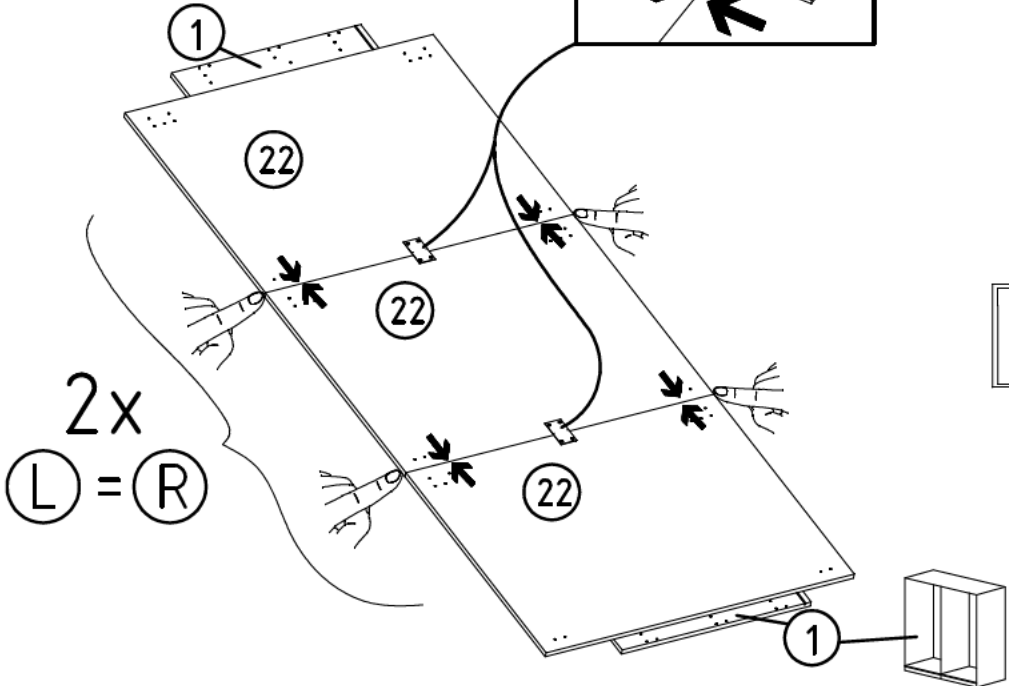
R



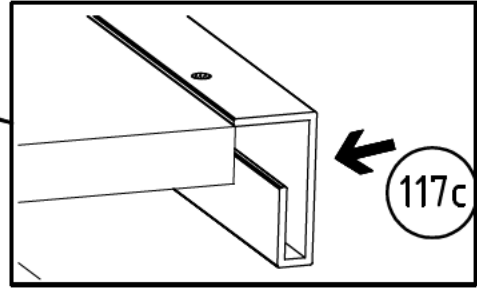
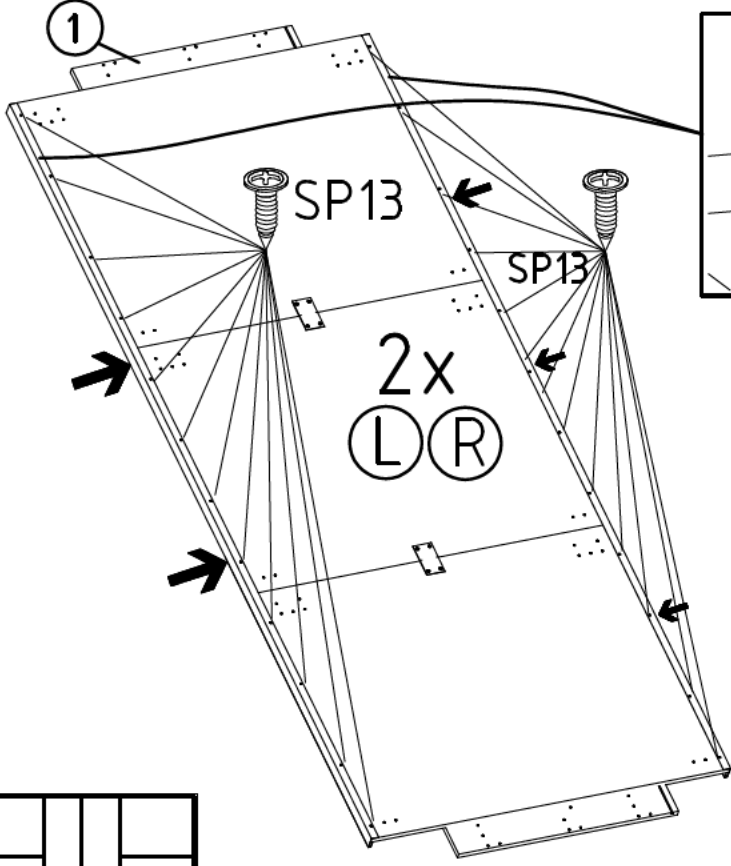
1



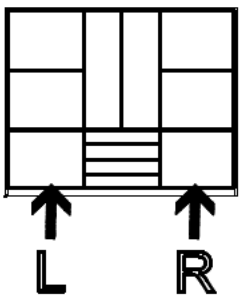
H5
4 X 13mm
SP13
114 183
121 122



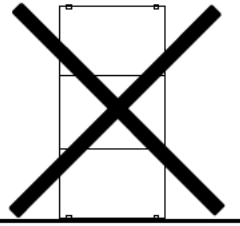
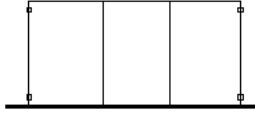
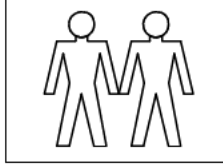
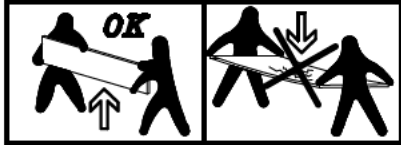
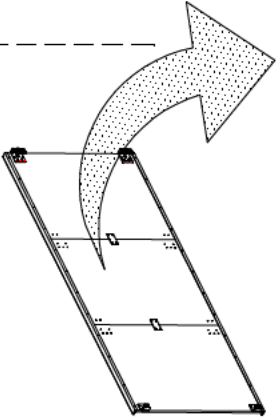
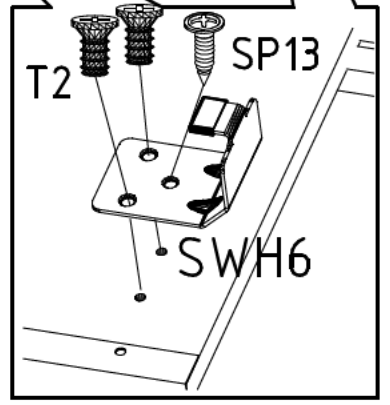
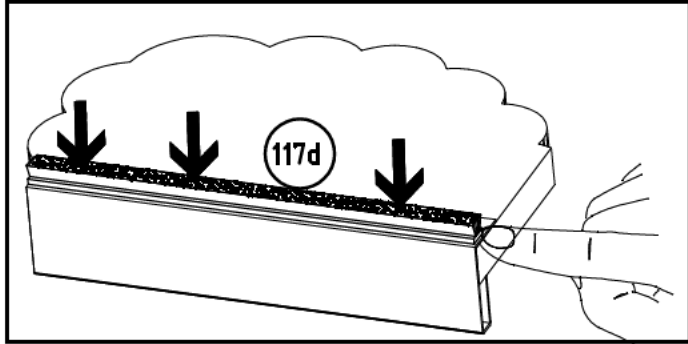
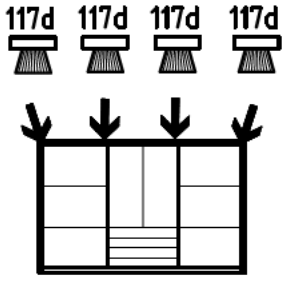
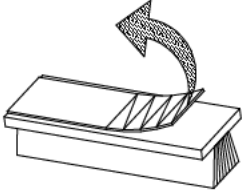
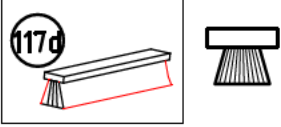
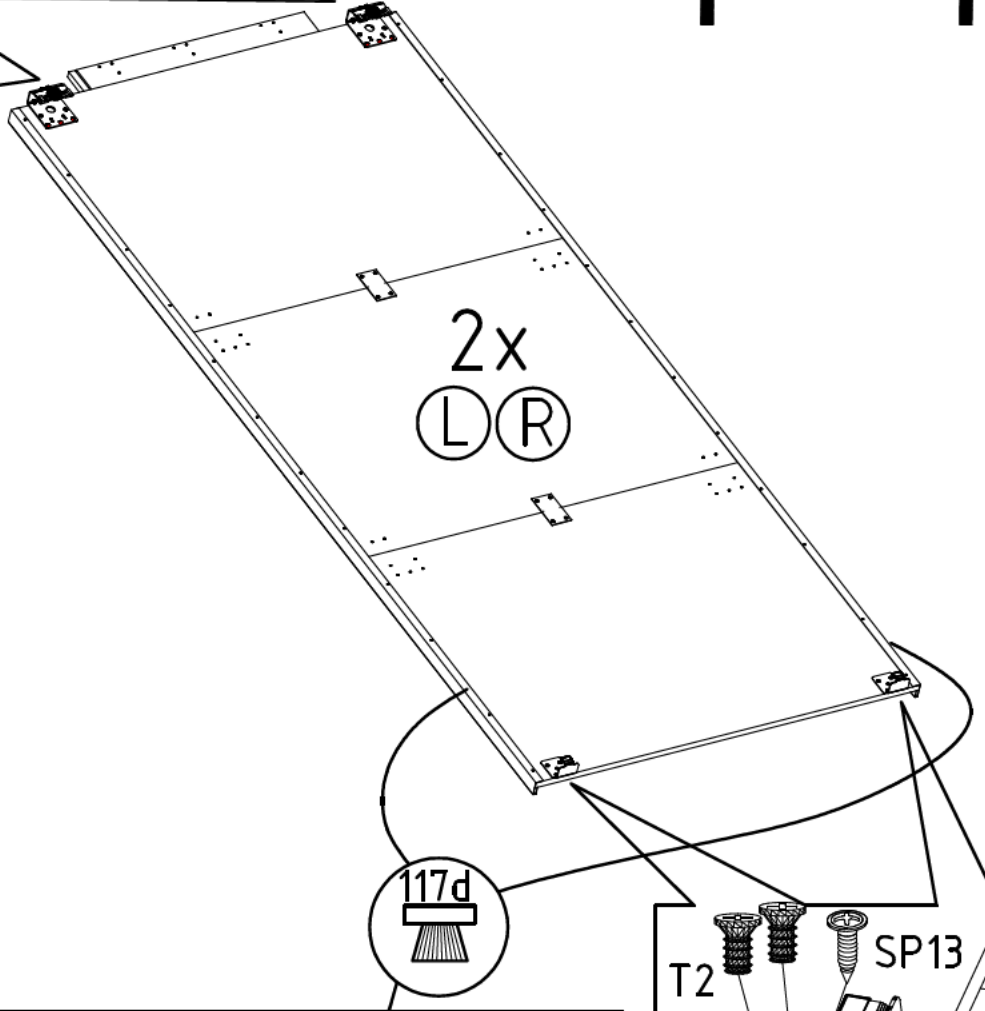
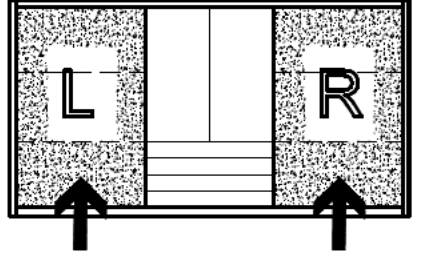
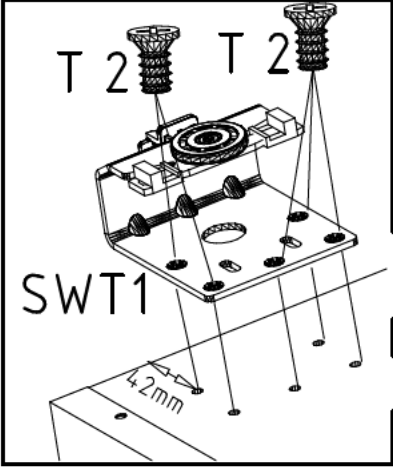
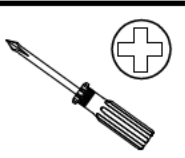
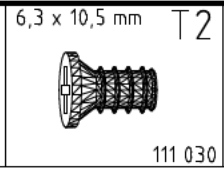
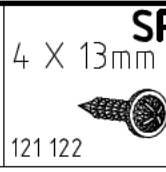
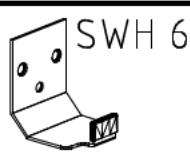
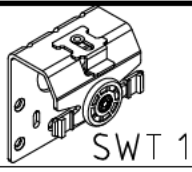
2



4 X 13mm
SP13
121 122



3

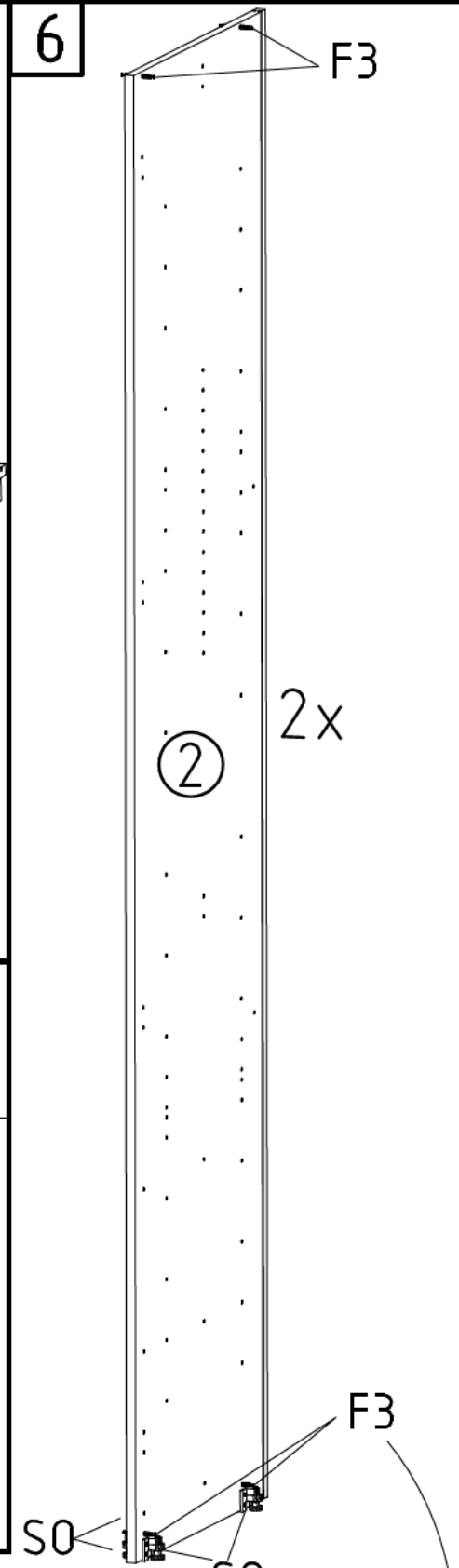
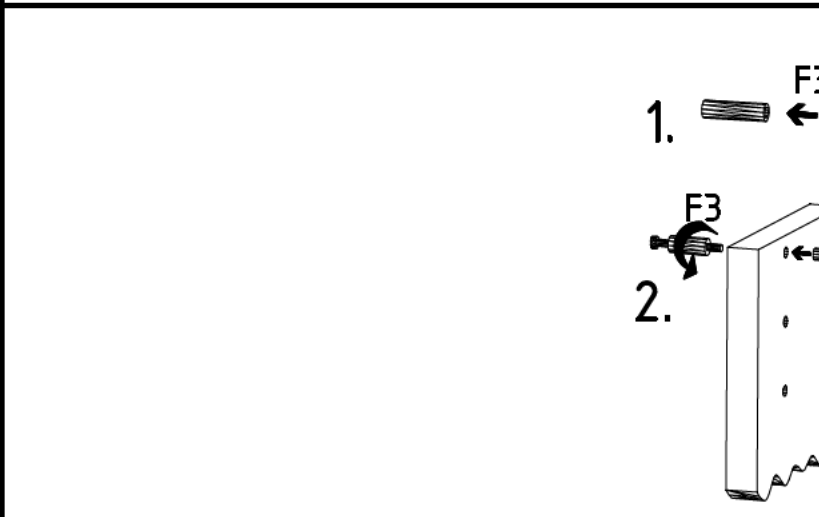
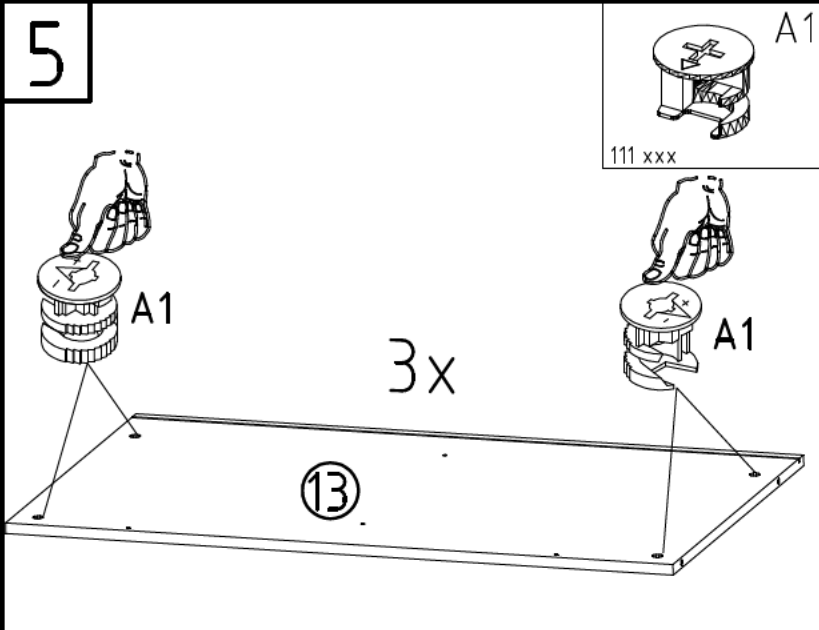
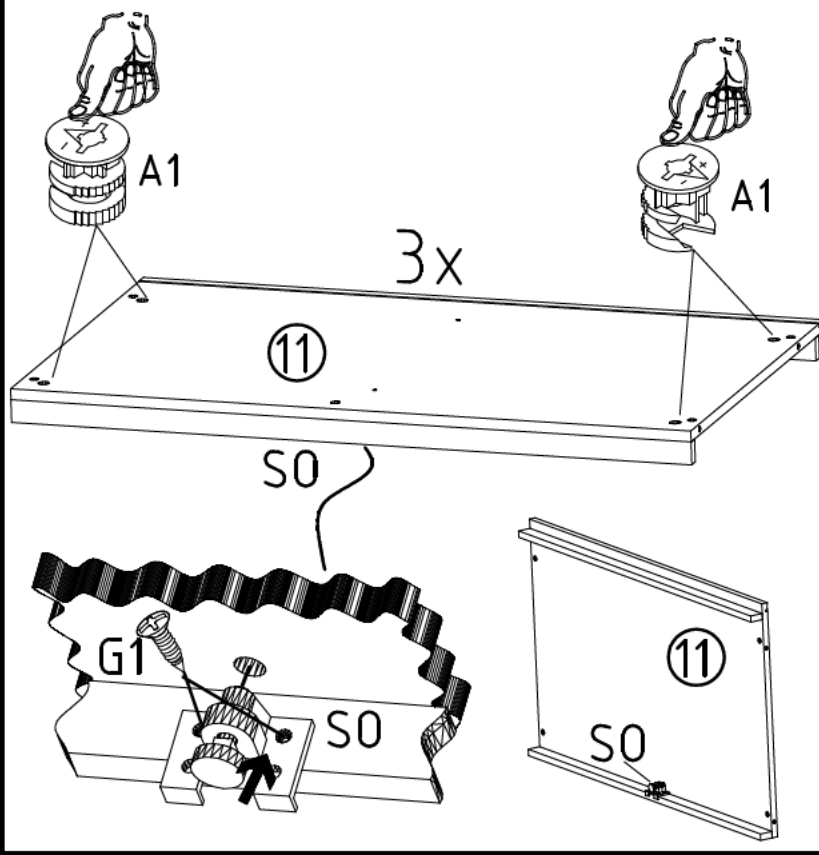


4

3,5 x 15 mm G1
121 370

S0
111 300

A1
111 xxx

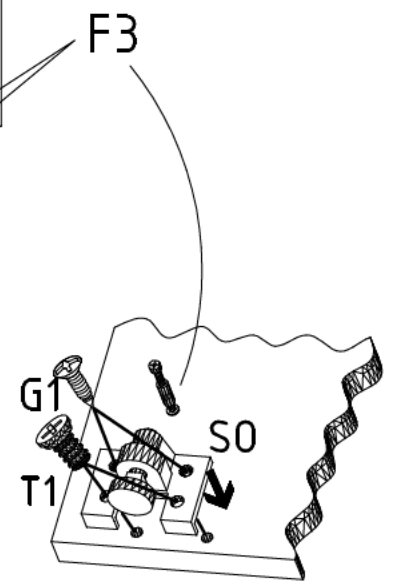
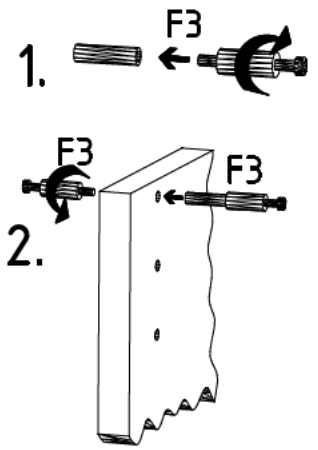


6,3 x 10,5 mm T1
112 055

3,5 x 15 mm G1
121 370

S0
111 300

F3



7

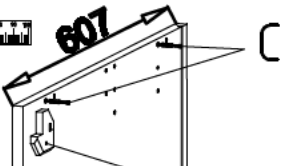
SWH-SKL



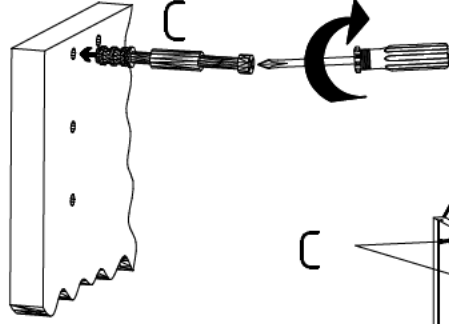
SWH-SKR



607



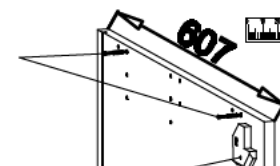
SWH-SKL + G24



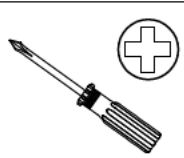
C



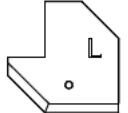
607



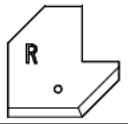
SWH-SKR + G24



SWH-SKL



SWH-SKR



3,5 x 22 mm G24



121 004

6,3 x 10,5 mm T1

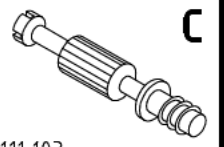


112 055

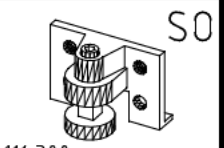
3,5 x 15 mm G1



121 370



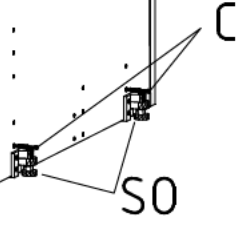
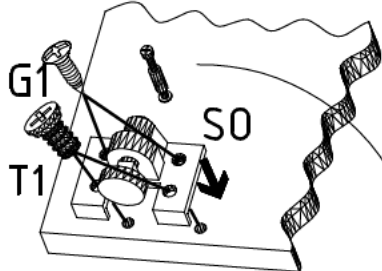
111 103



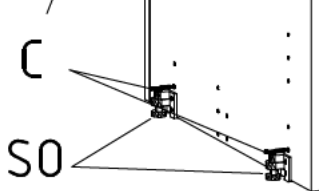
111 300

1

3



S0

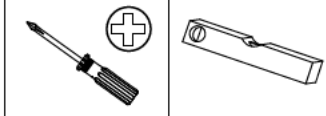
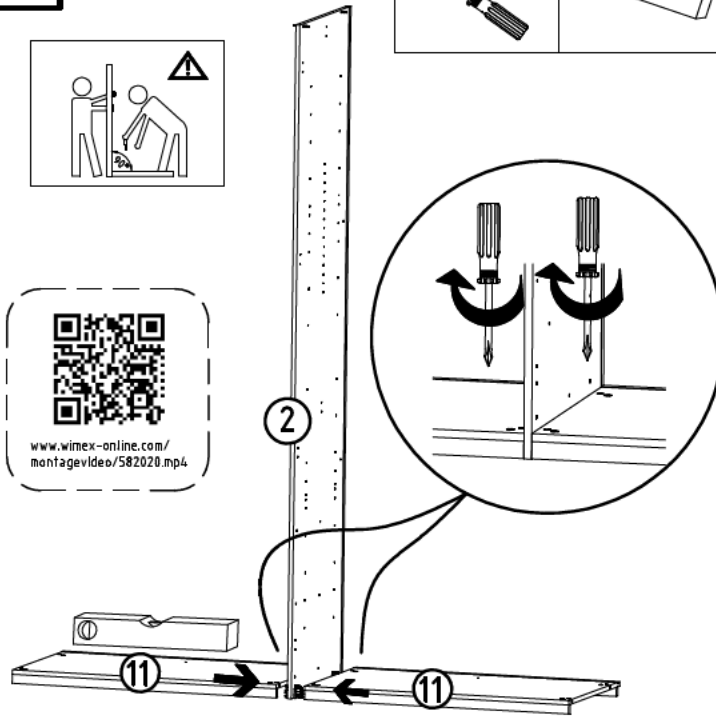


S0

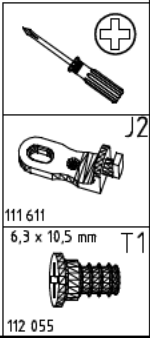
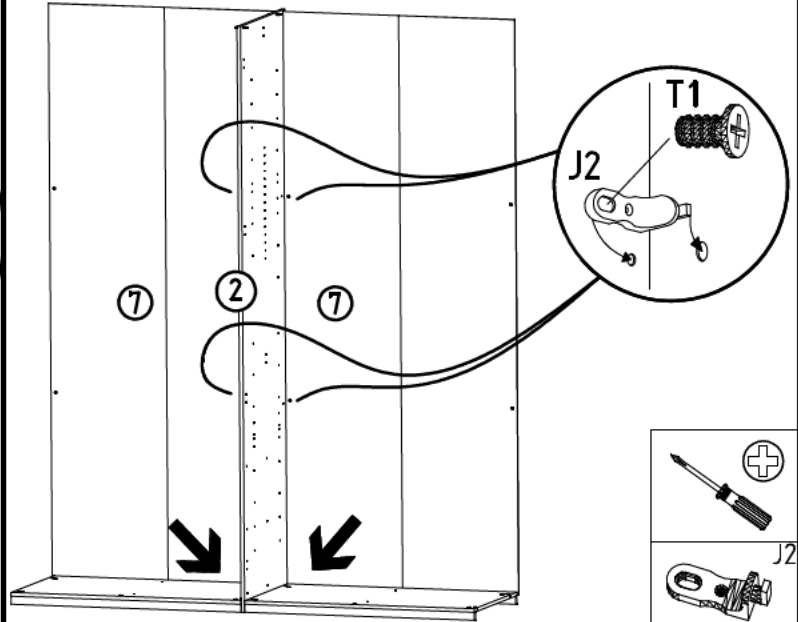
8



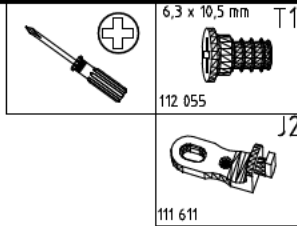
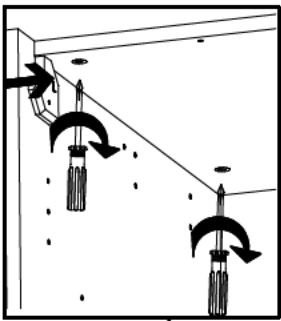
www.wimex-online.com/
montagevideo/582020.mp4



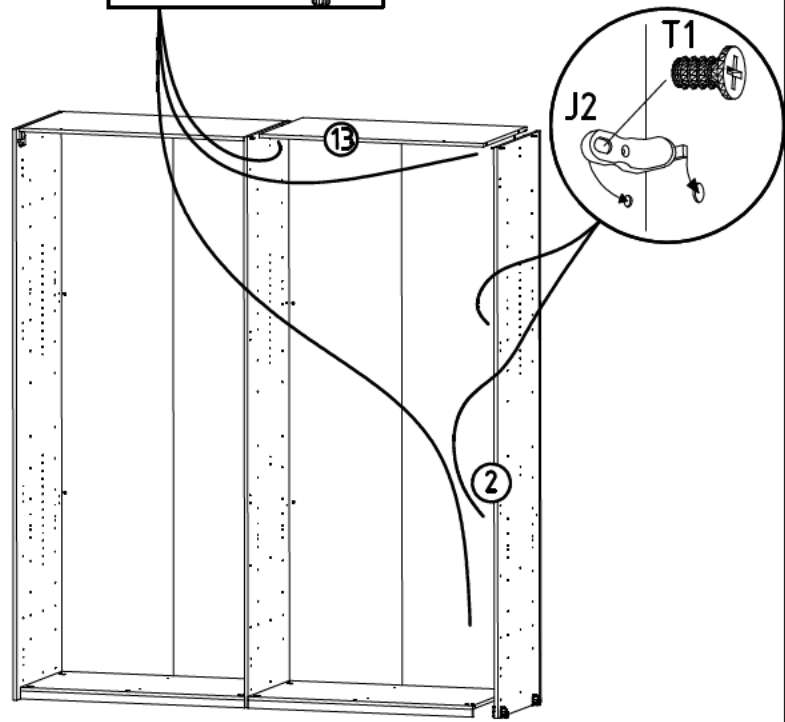
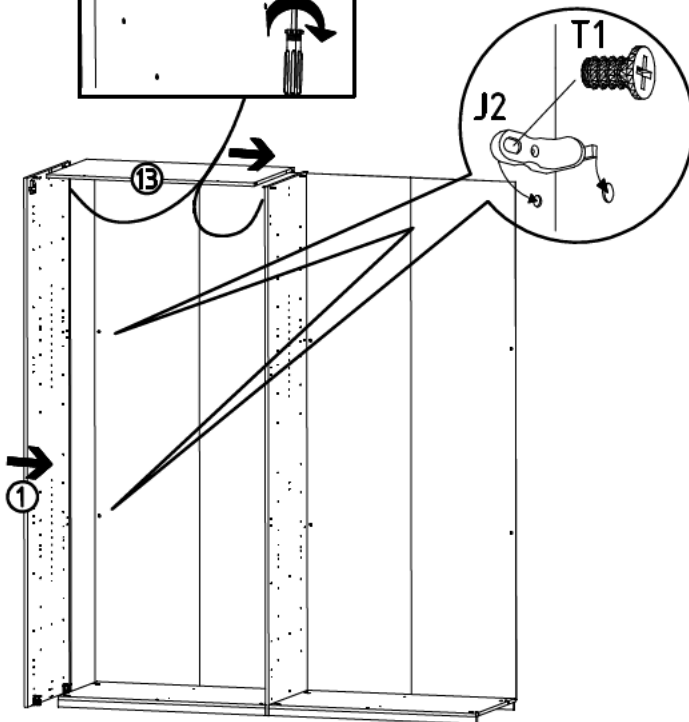
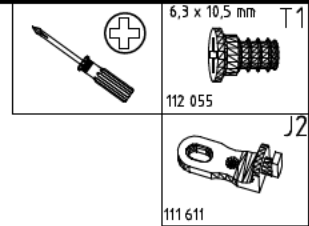
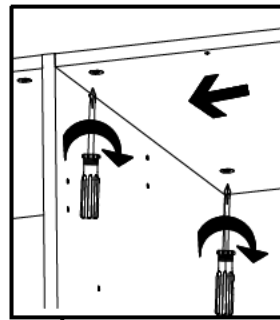
9



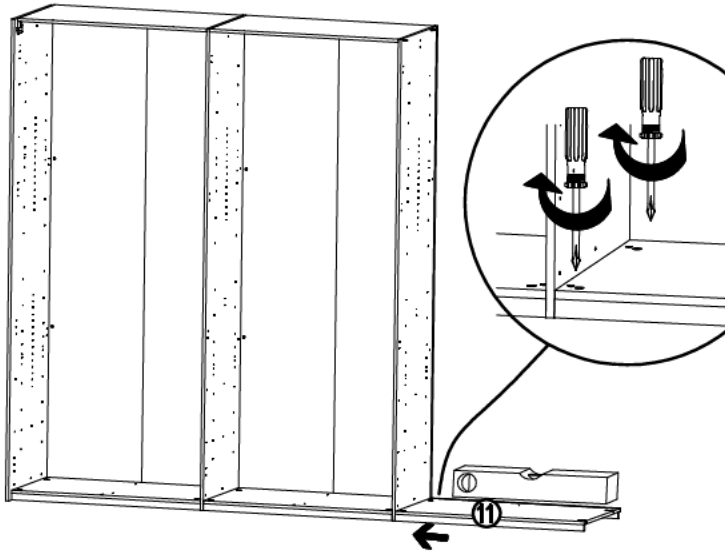
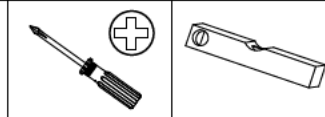
10



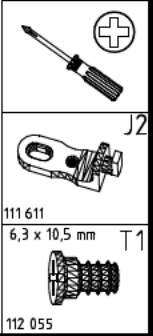
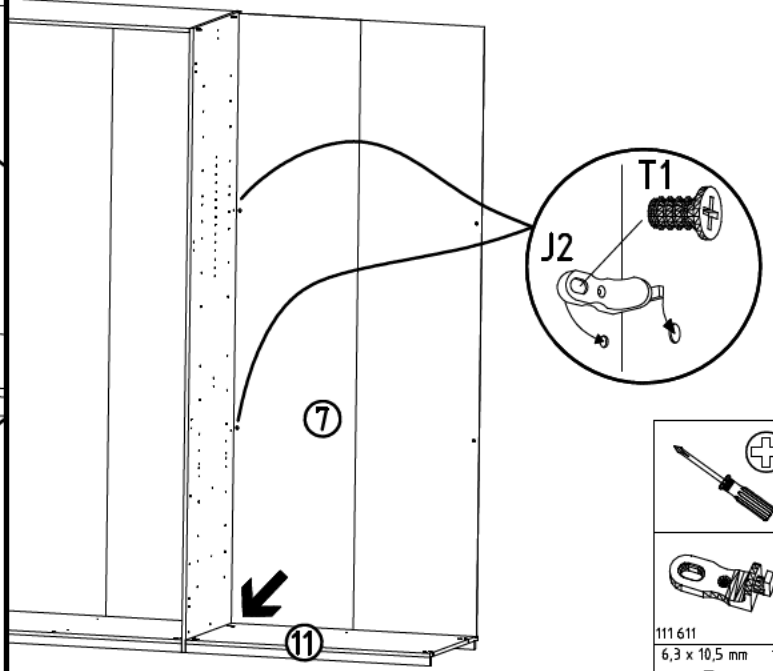
11



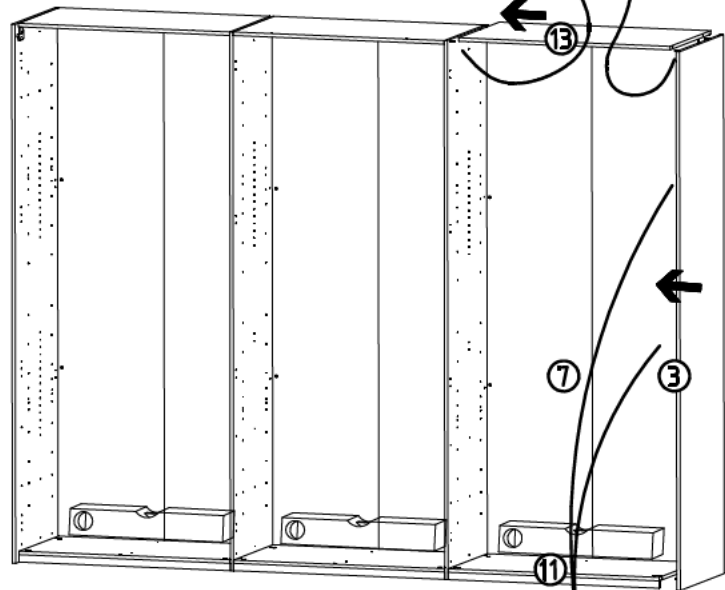
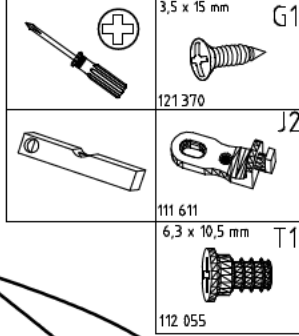
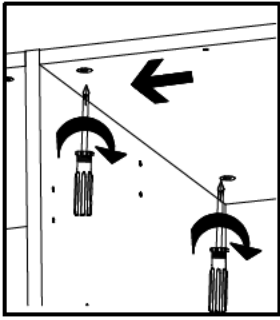
12



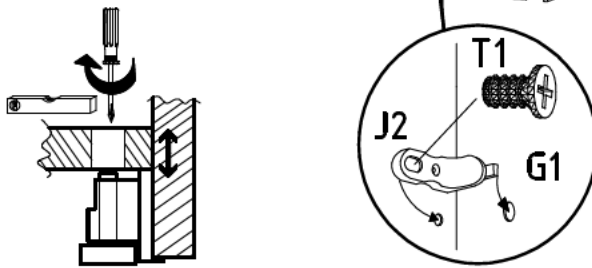
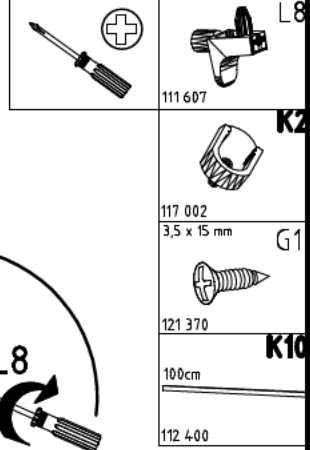
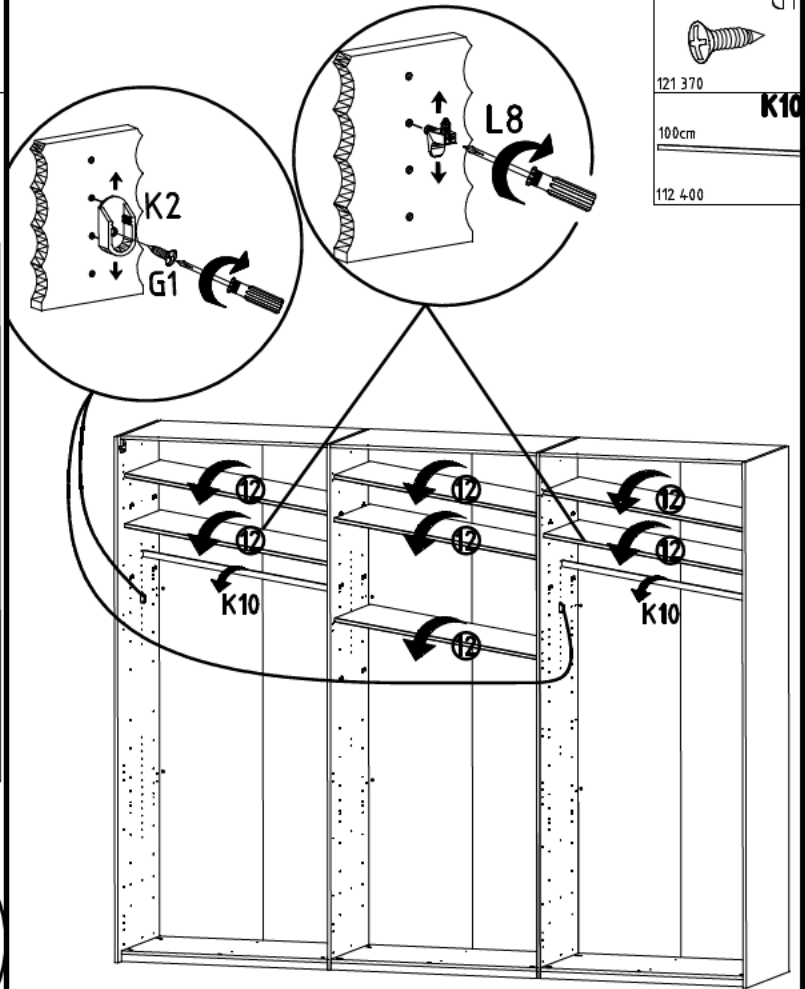
13



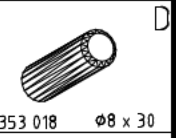
14



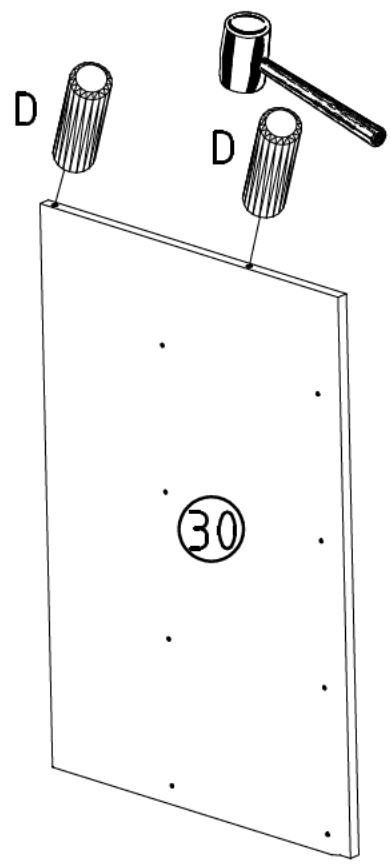
15



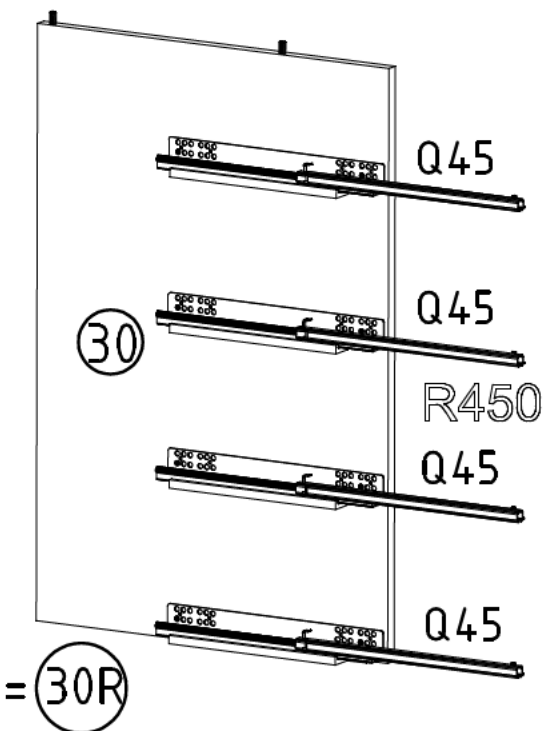
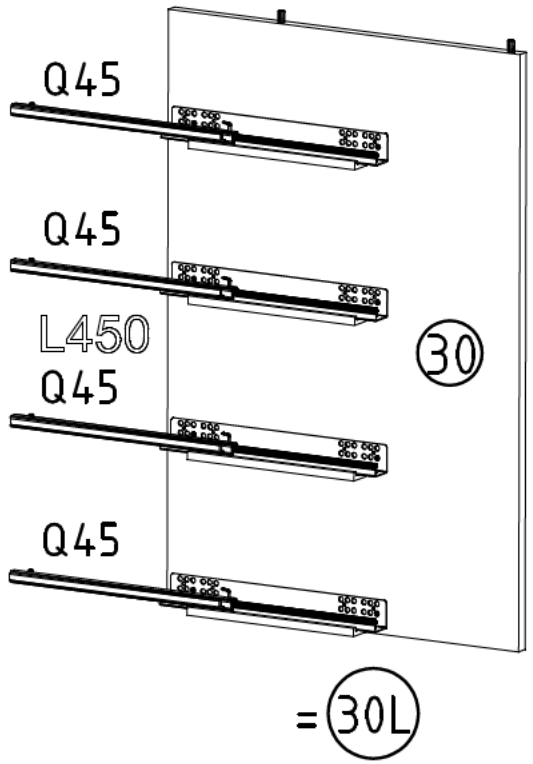
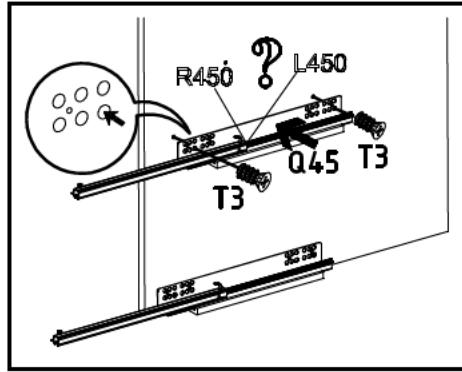
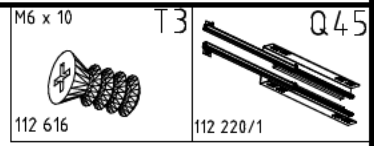
16



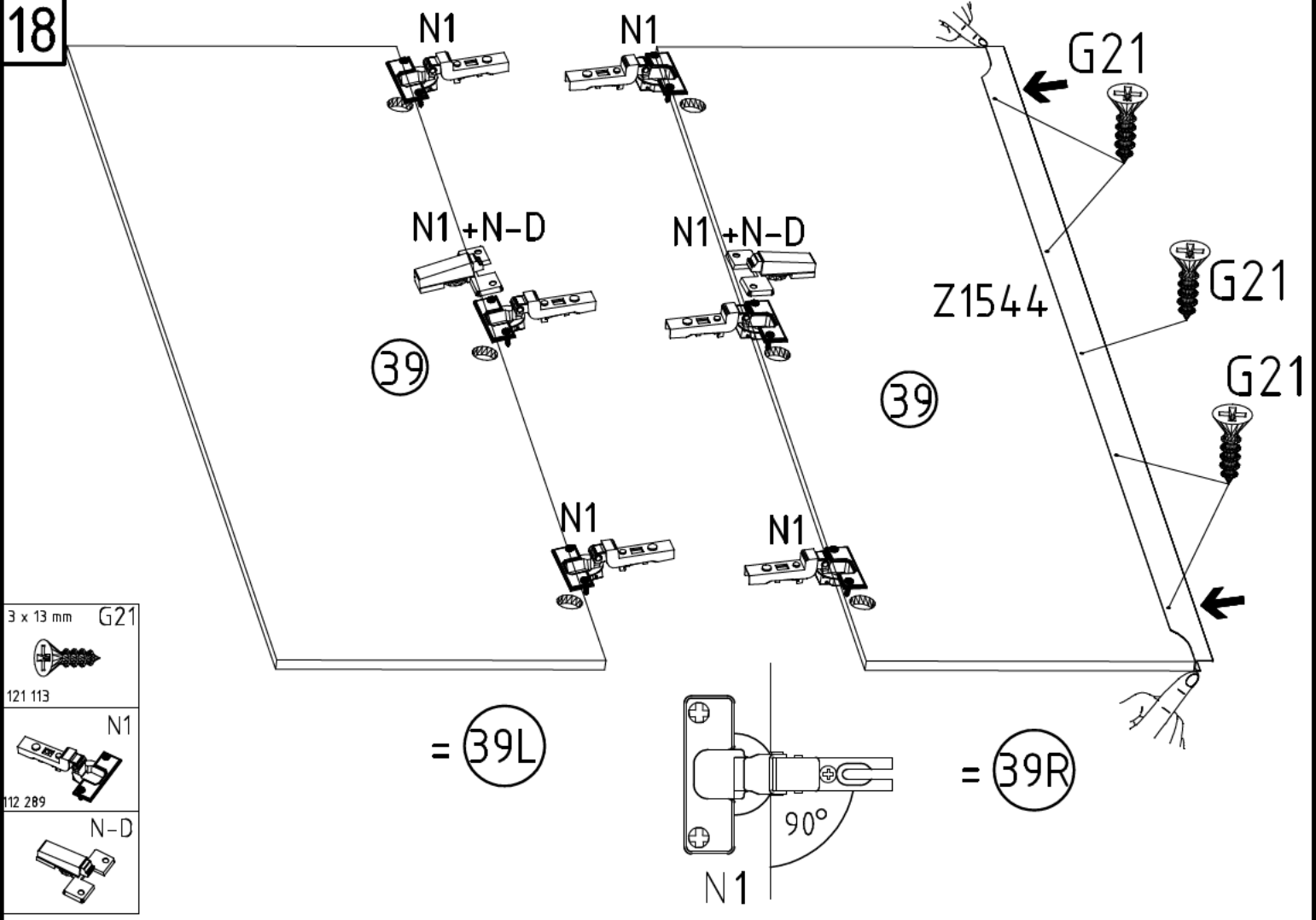
2x



17



18

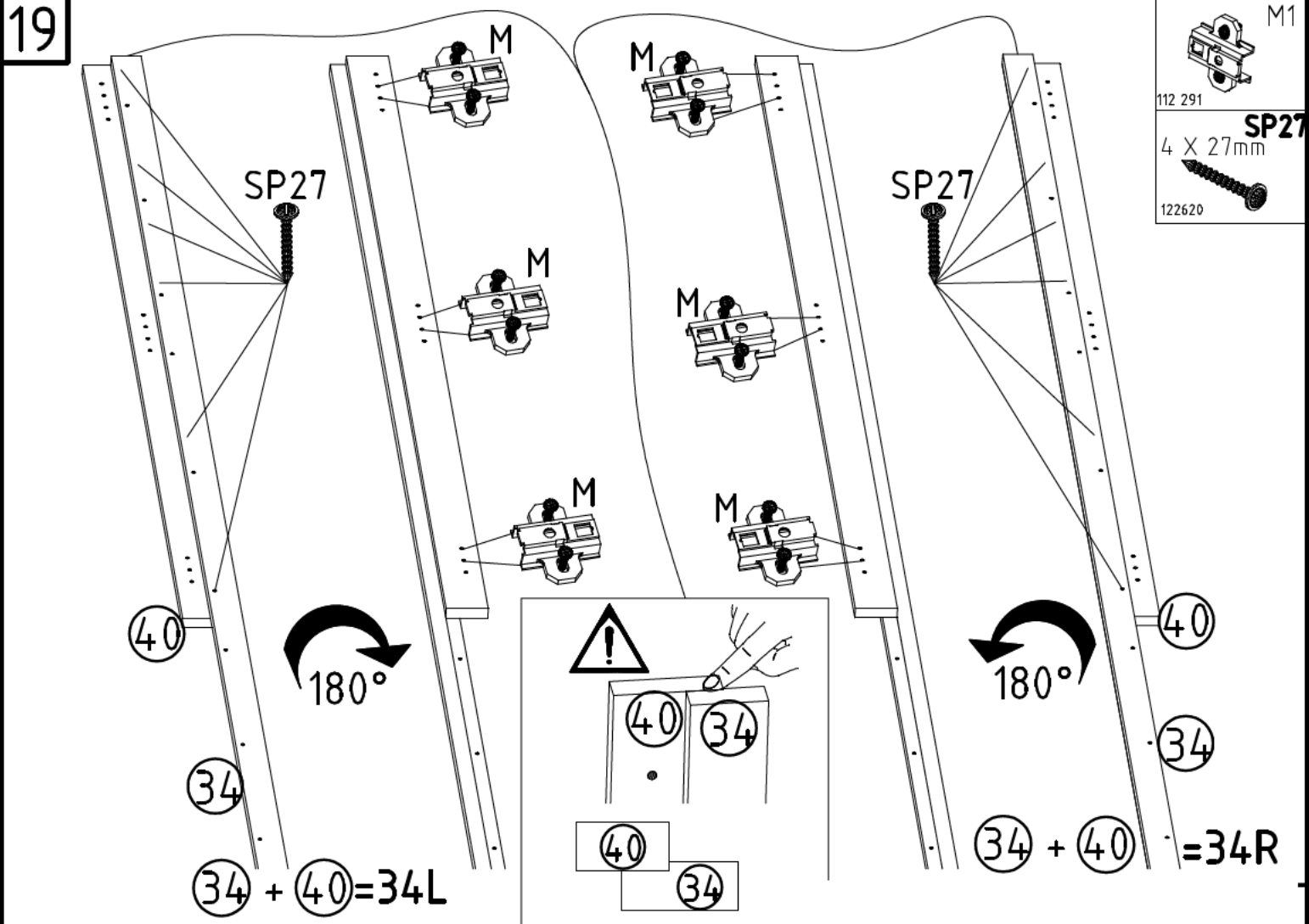


3 x 13 mm G21
121 113

N1
112 289

N-D

19

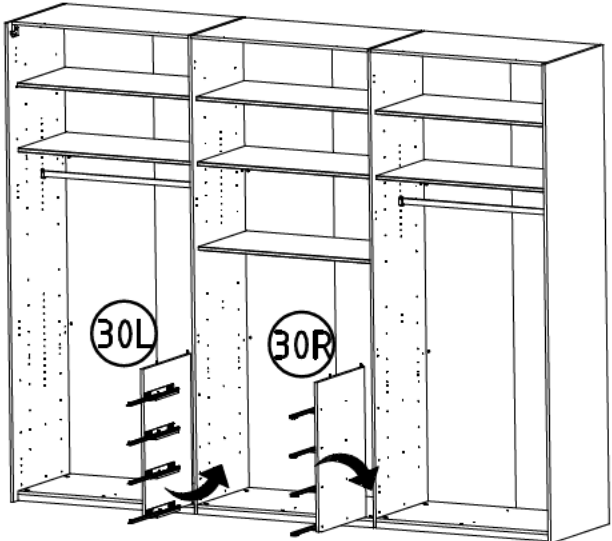


M1
112 291

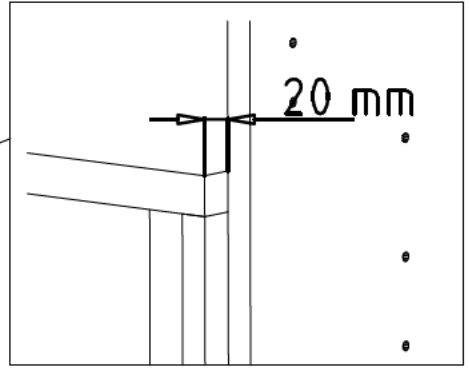
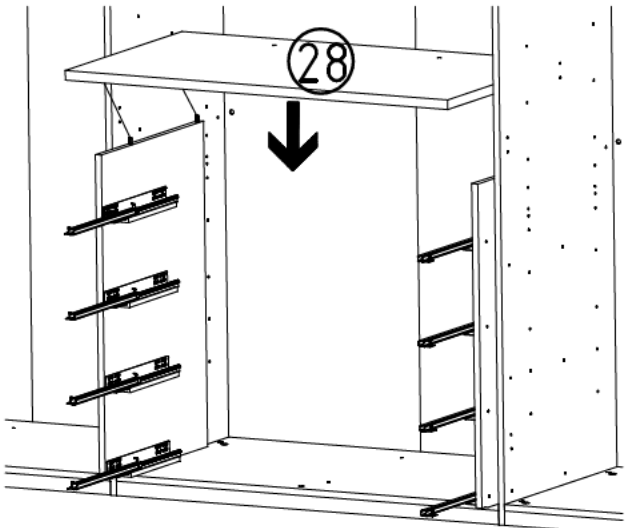
SP27
4 X 27mm
122620

20

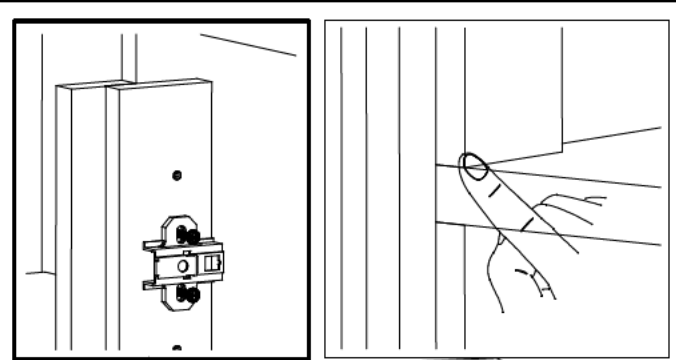
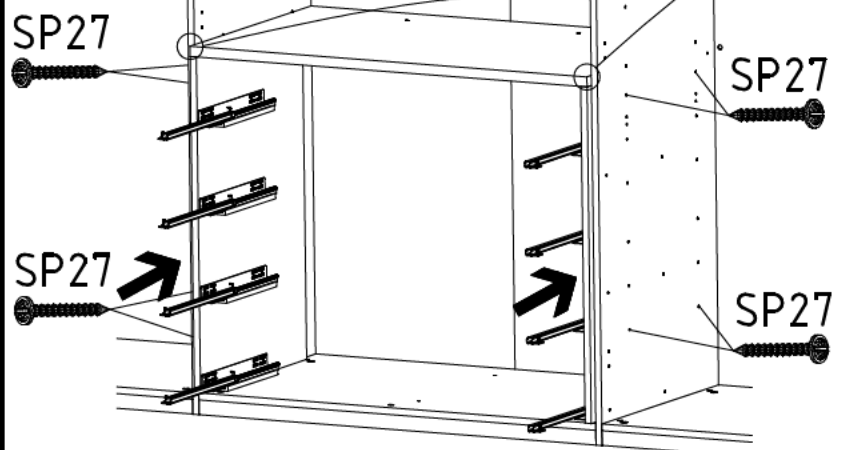
I.



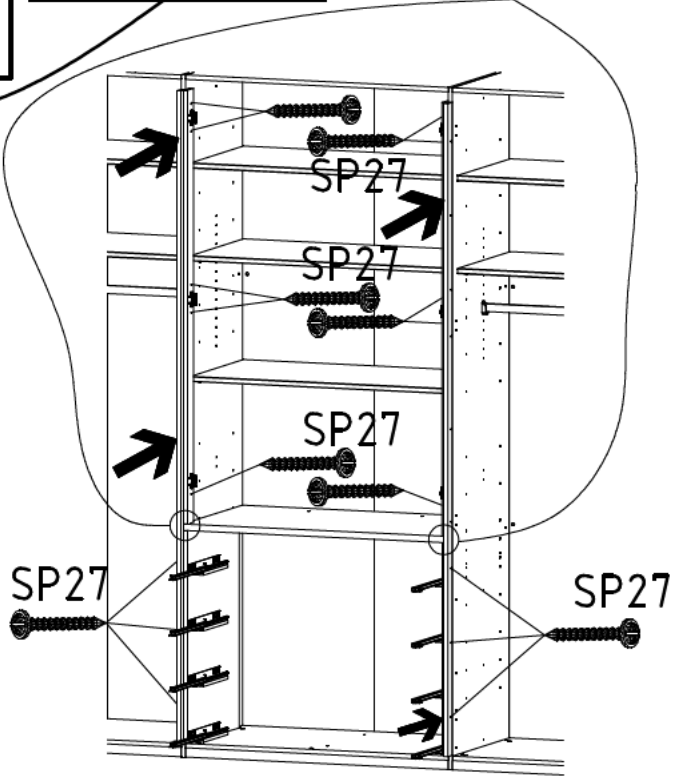
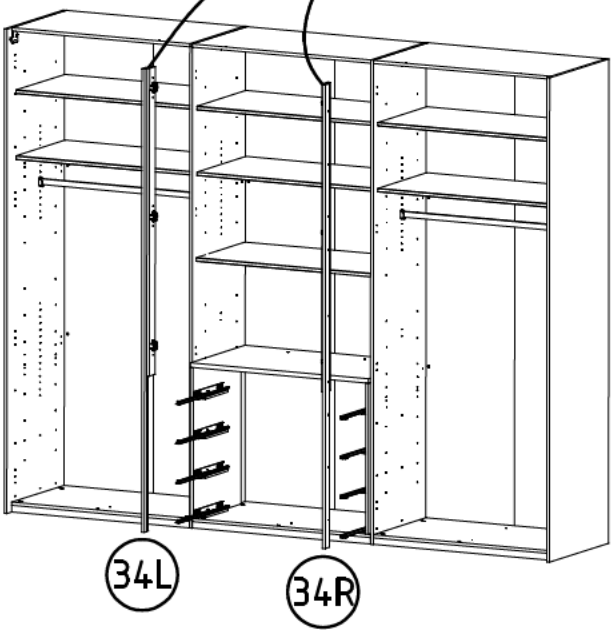
II.



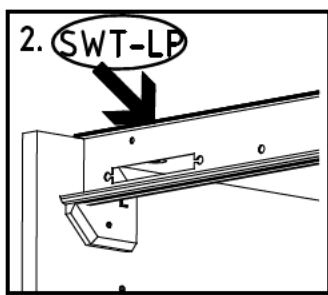
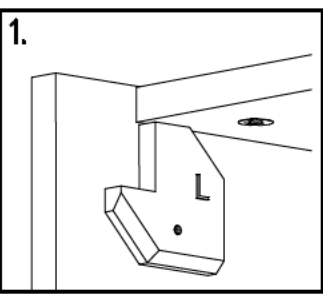
III.



21

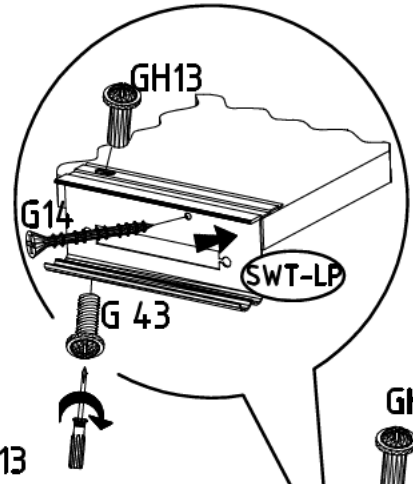


22

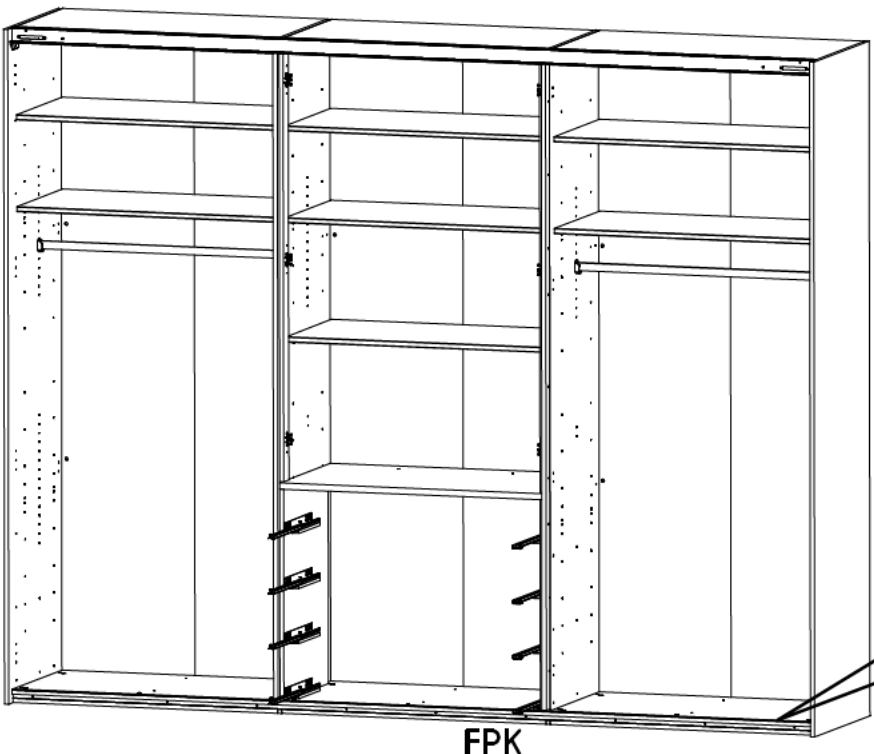


M4 x 10 mm G43 121 xxx	M4 x 13 mm GH13 121 xxx	3,5 x 35 mm G14 121 375	SWT-ST	SWT-SM5
------------------------------	-------------------------------	-------------------------------	--------	---------

SWT-LP
1453/194.0/24.30/2920 3trg
73410 SY

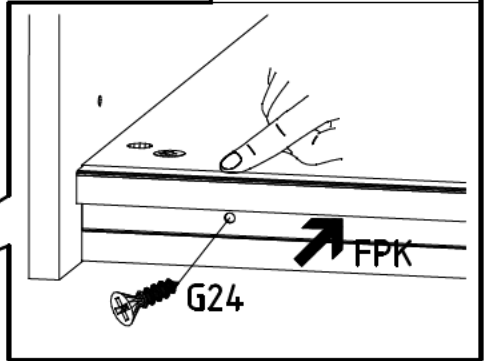


23

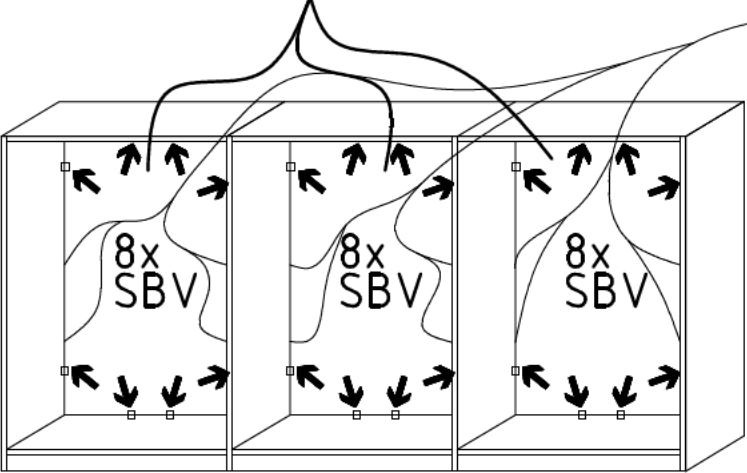
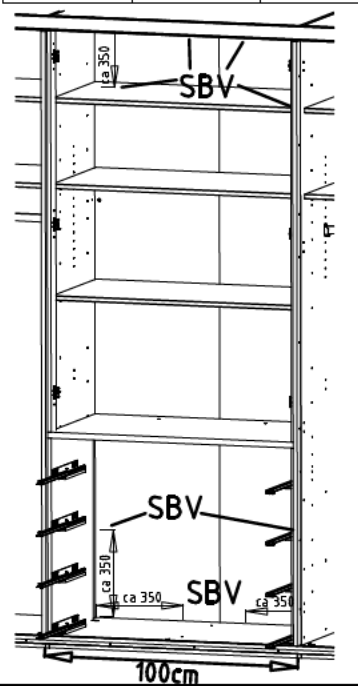
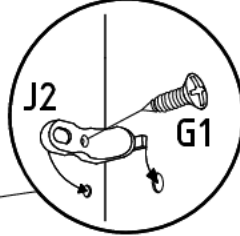
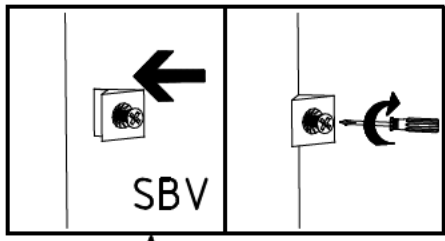


FPK
1453/194.0/24.30/2920/34.08

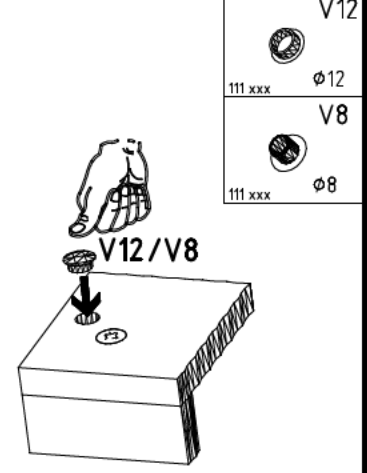
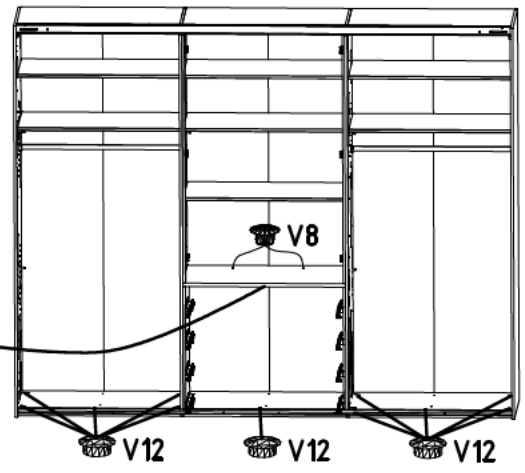
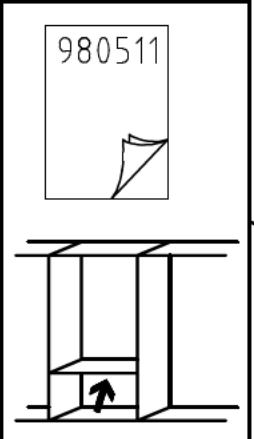
3,5 x 22 mm
G24
121 004



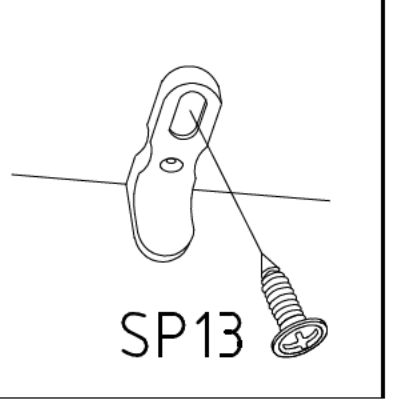
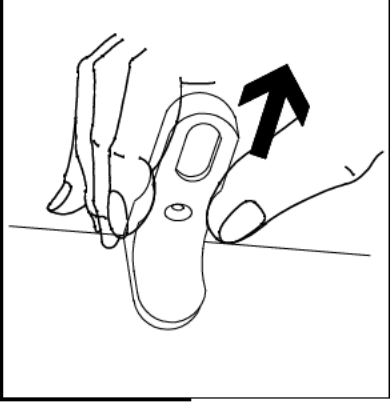
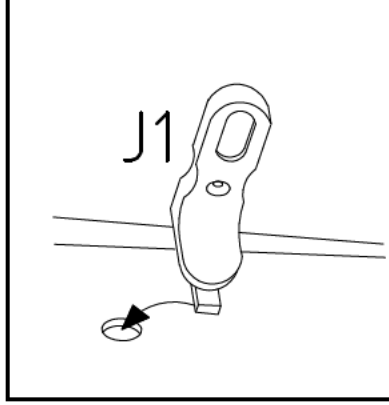
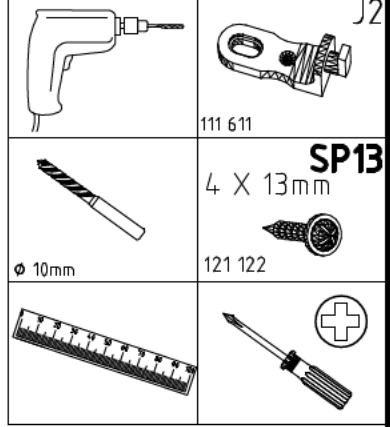
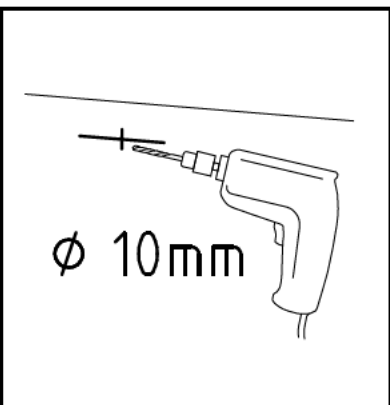
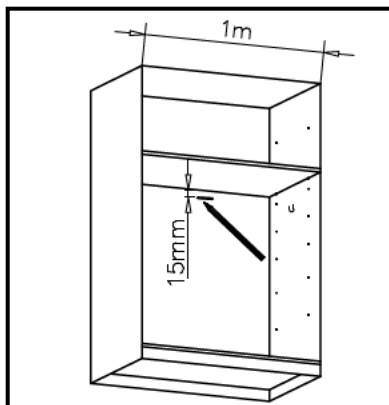
24



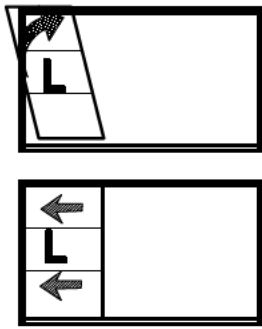
25



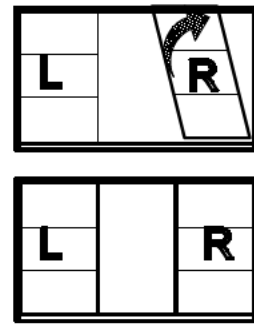
26



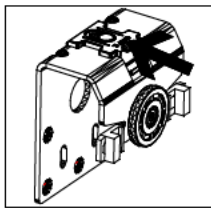
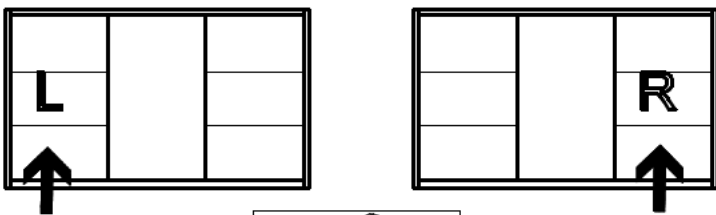
27



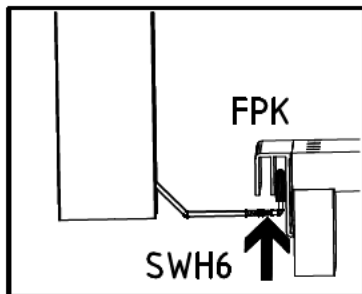
28



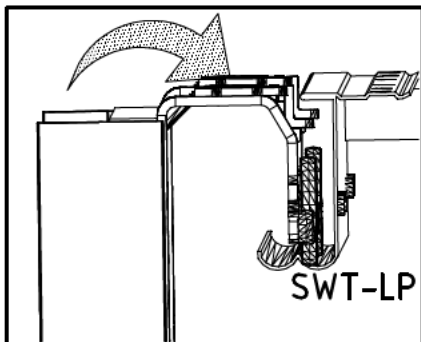
27 + 28



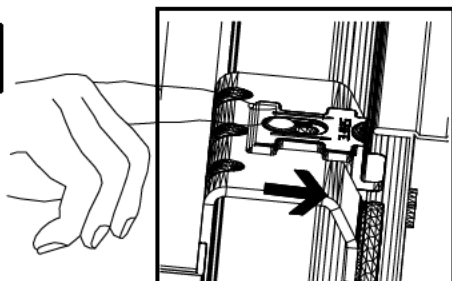
I.



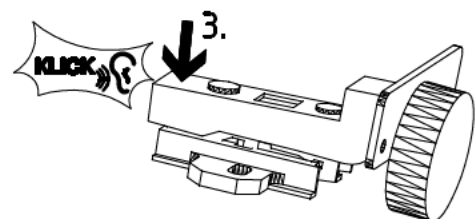
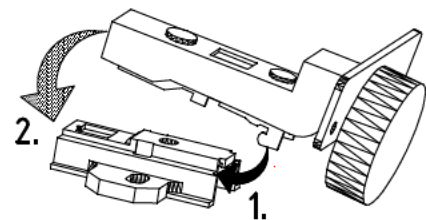
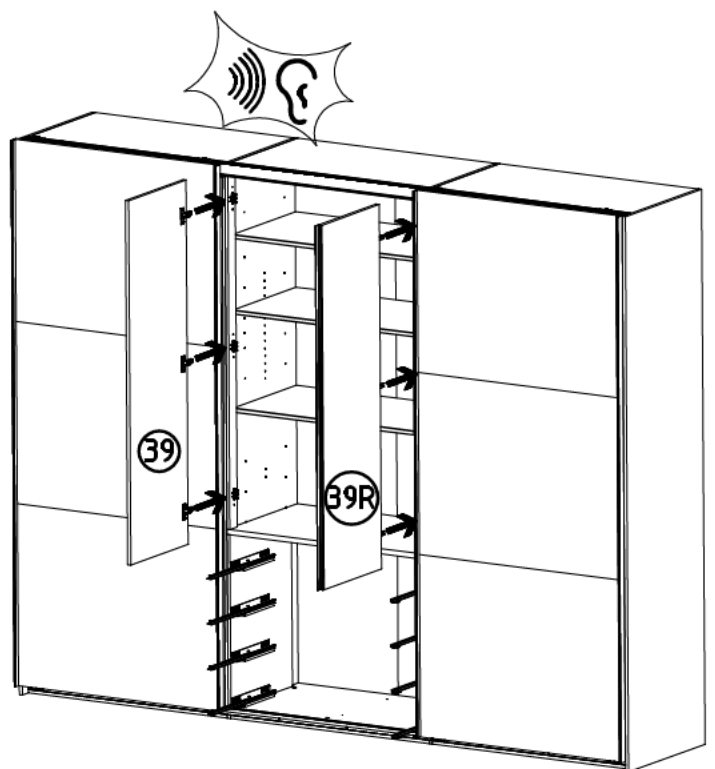
II.



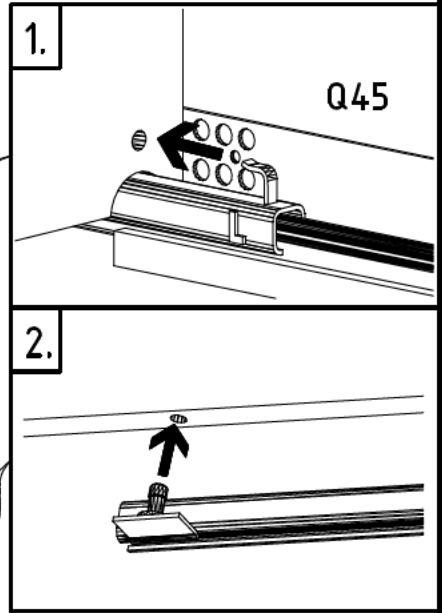
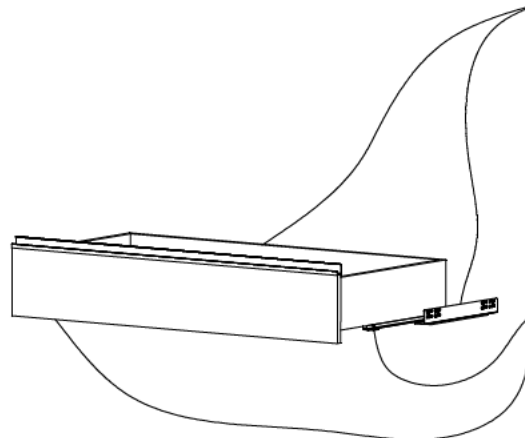
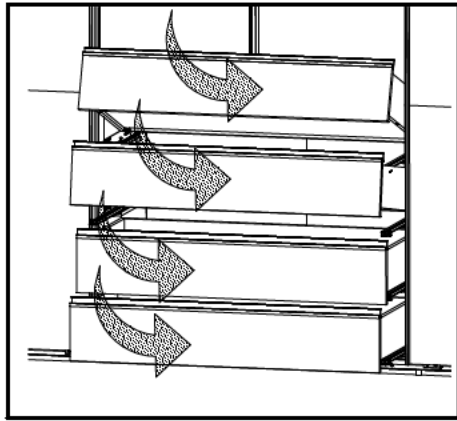
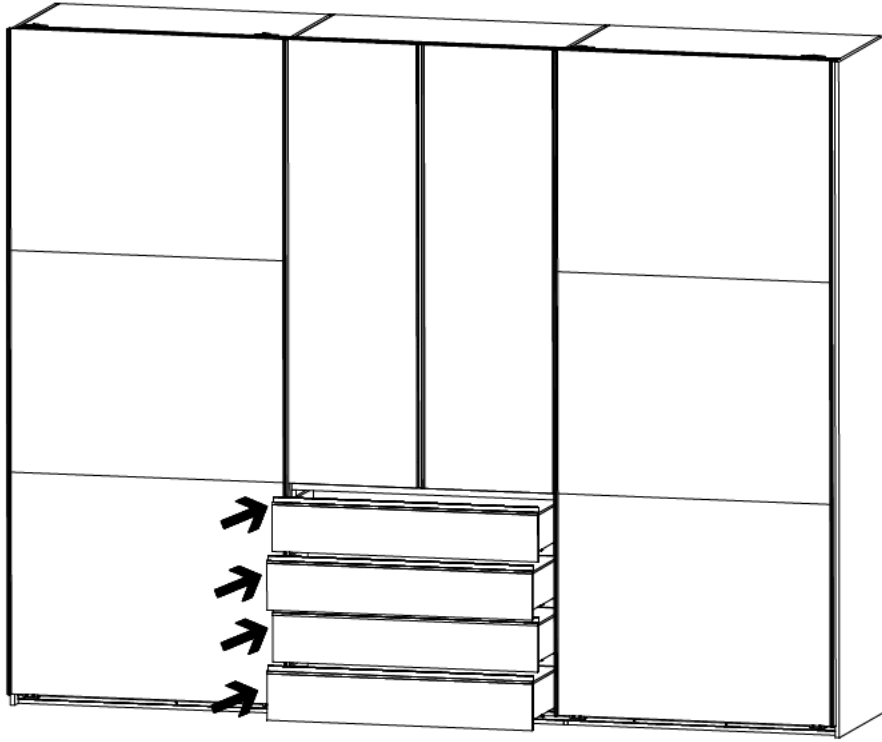
III.



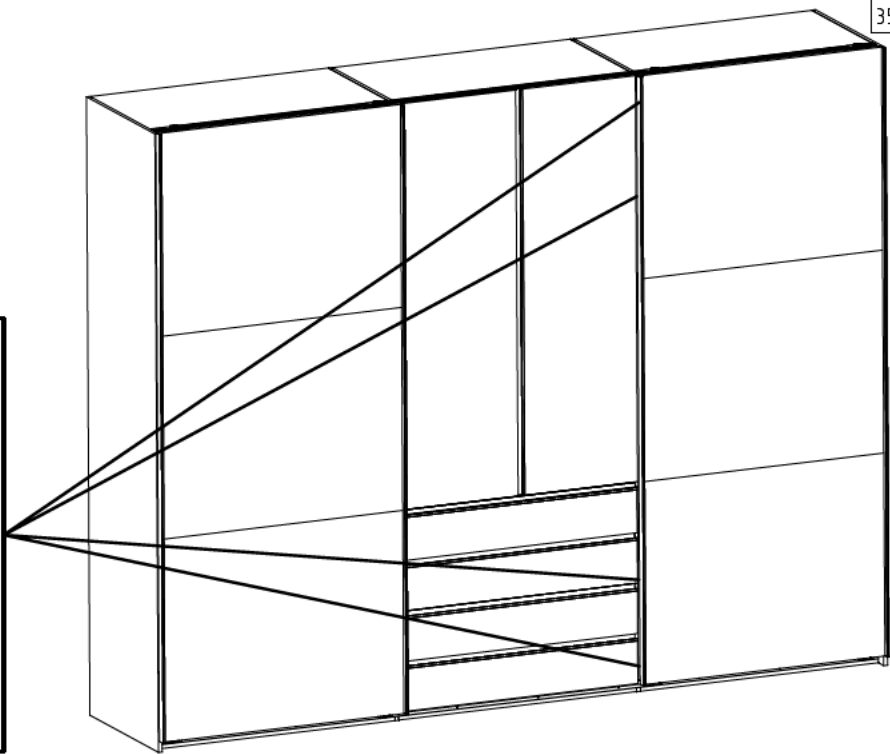
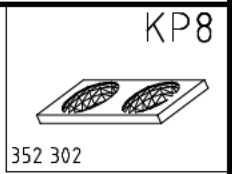
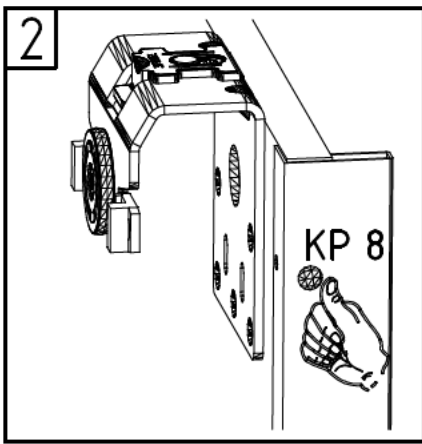
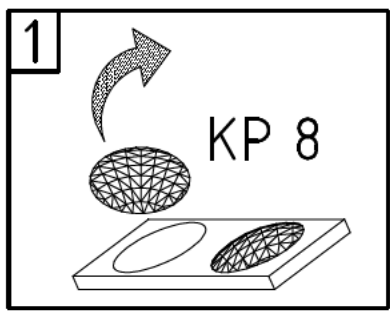
29



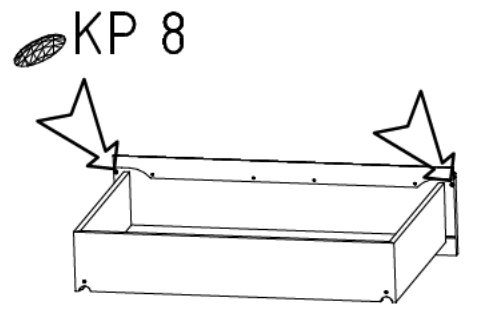
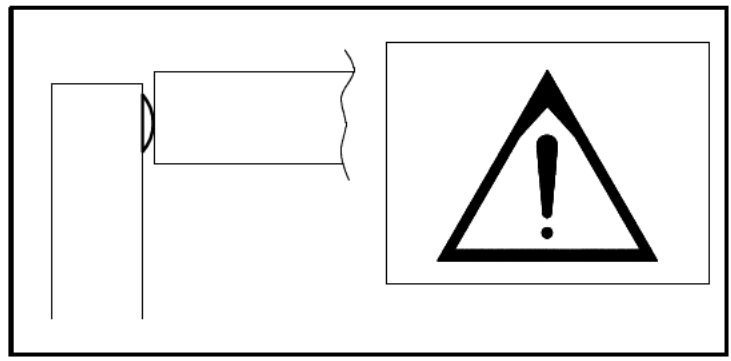
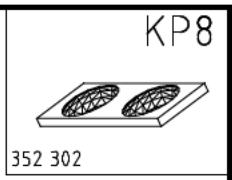
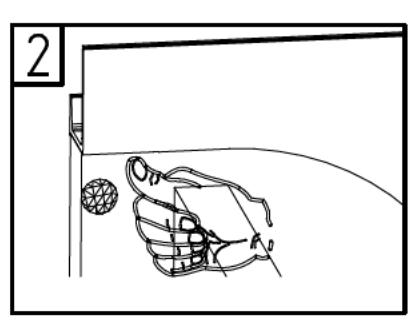
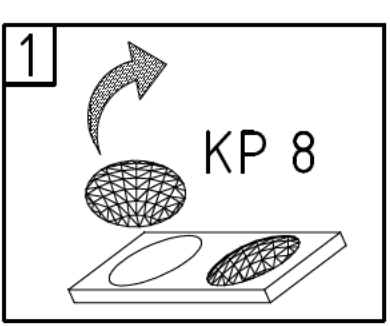
33



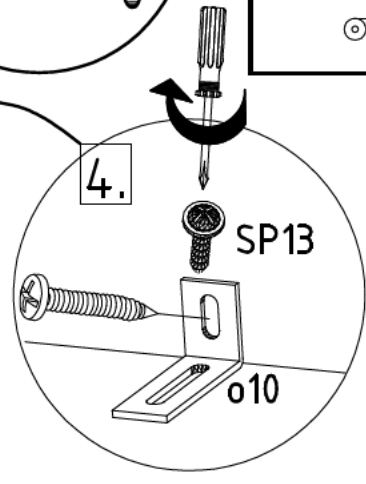
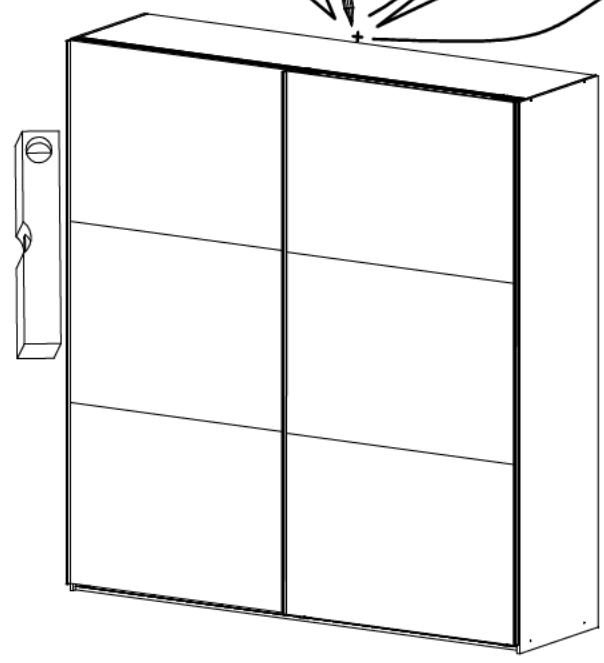
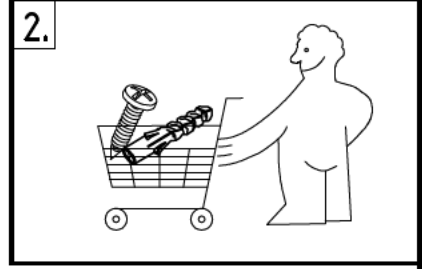
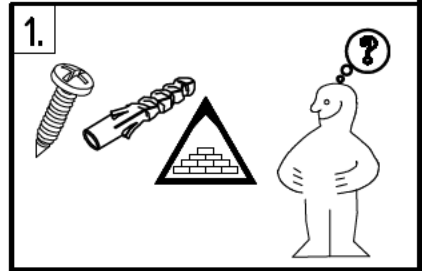
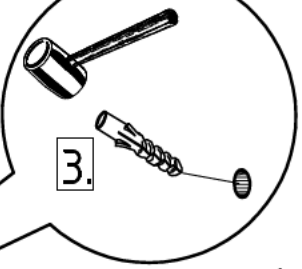
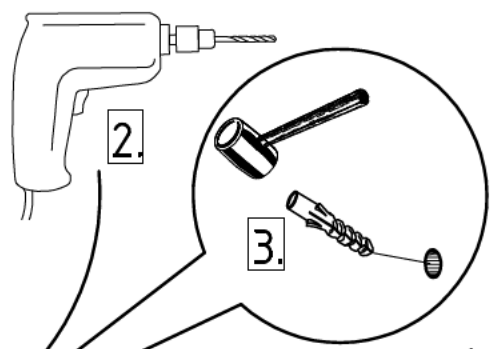
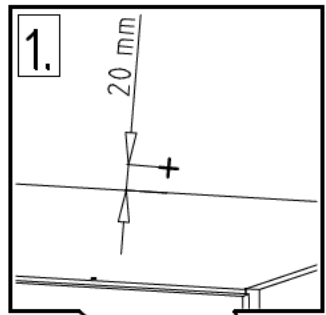
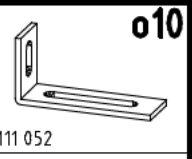
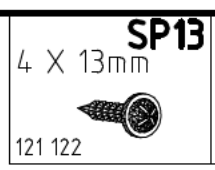
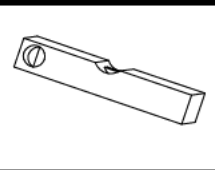
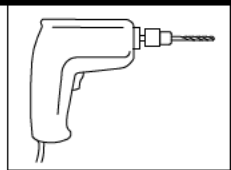
34

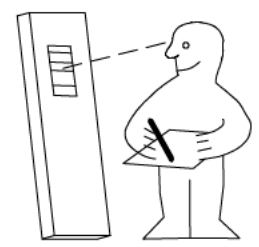
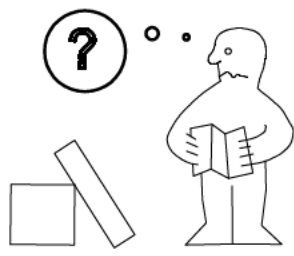


35

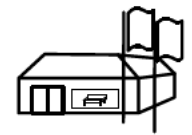
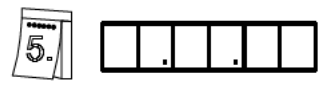


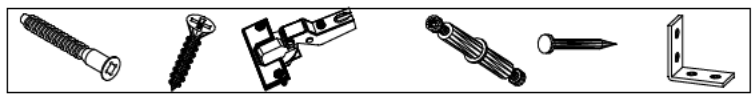
36





Modell/Model/Modèle





<121 370>	< G 1 >	<4x>

