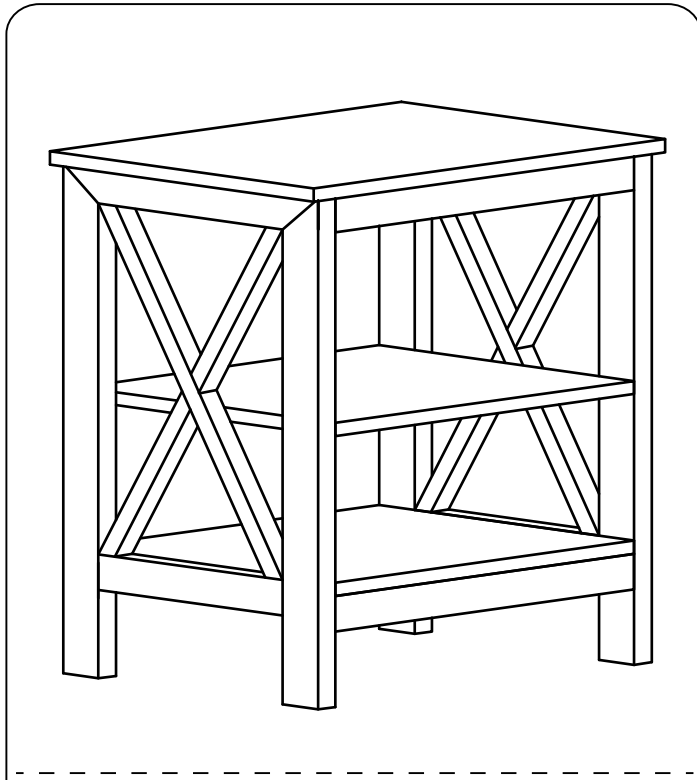


Instruction Manual

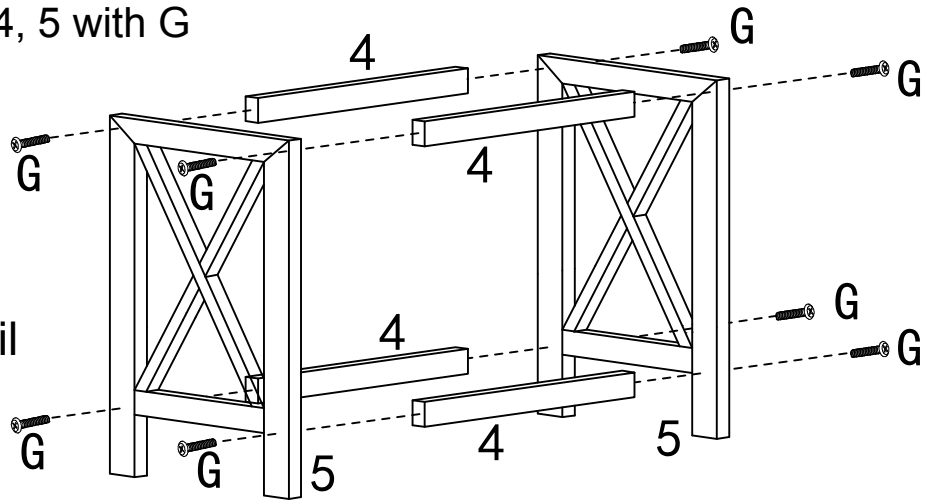


1		1
2		1
3		1
4		4
5		2
B	M5x50mm	4
G	M6x35mm	8
I	M6x50mm	8
T		1

1 Assemble part 4, 5 with G

Tips:

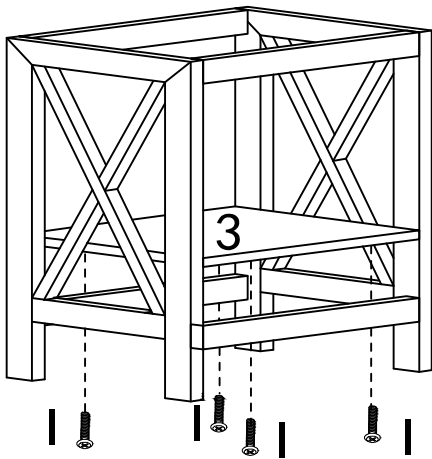
To easily install,
do not tighten all
the screws up until
the last step.



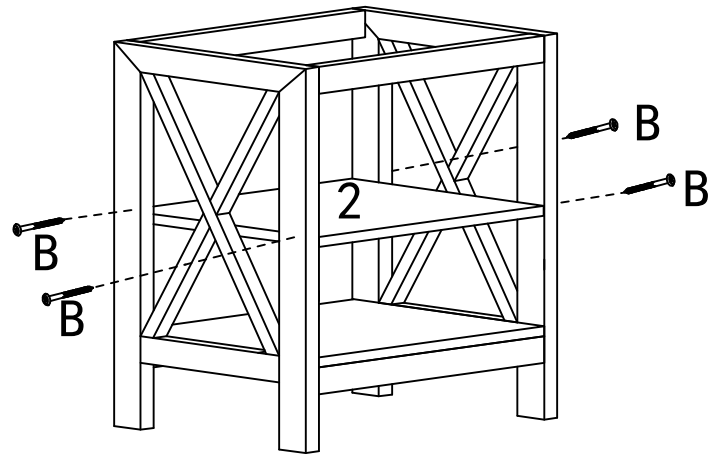
2 Assemble part 3 with I

Tips:

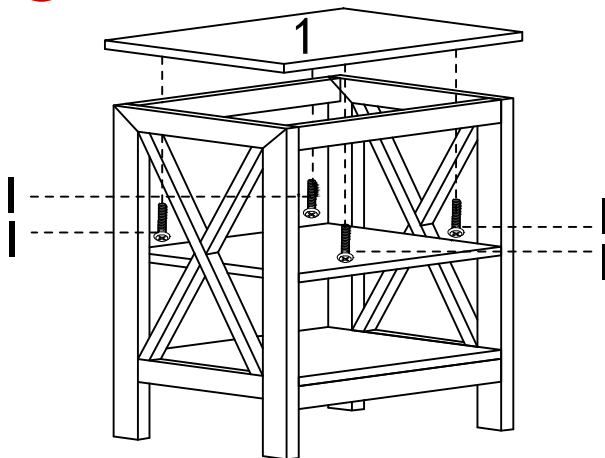
Part 3 is
bottom board



3 Assemble part 2 with B



4 Assemble part 1 with I



5 Check and tighten all screws

