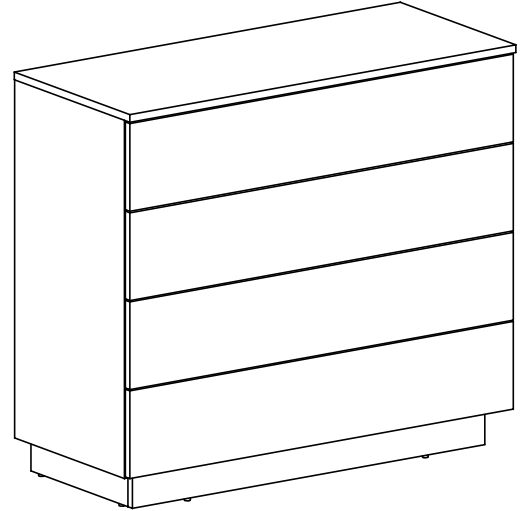
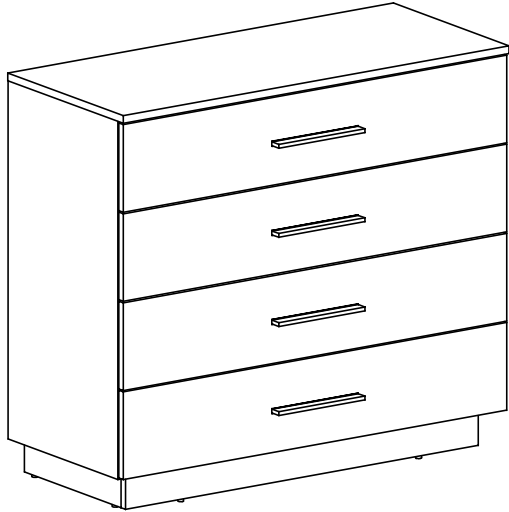
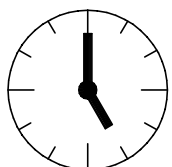
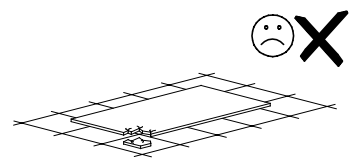
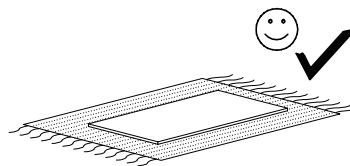
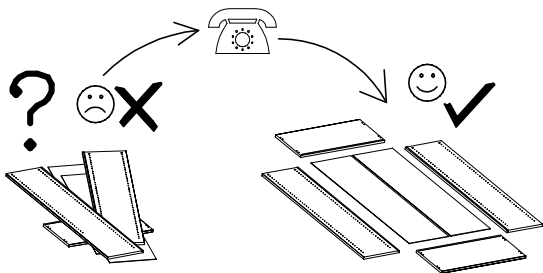
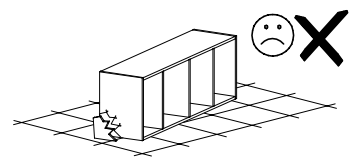
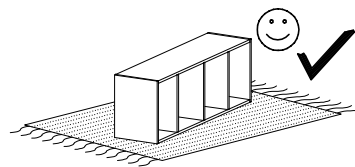
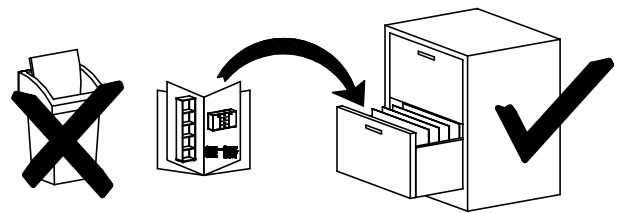
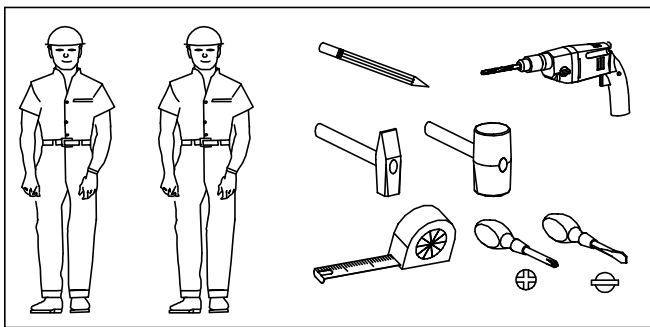


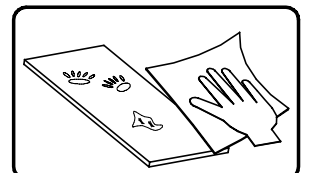
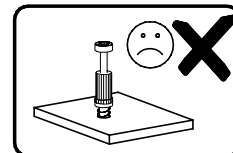
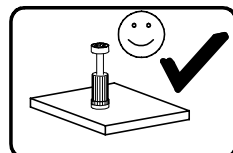
Installation & Assembly

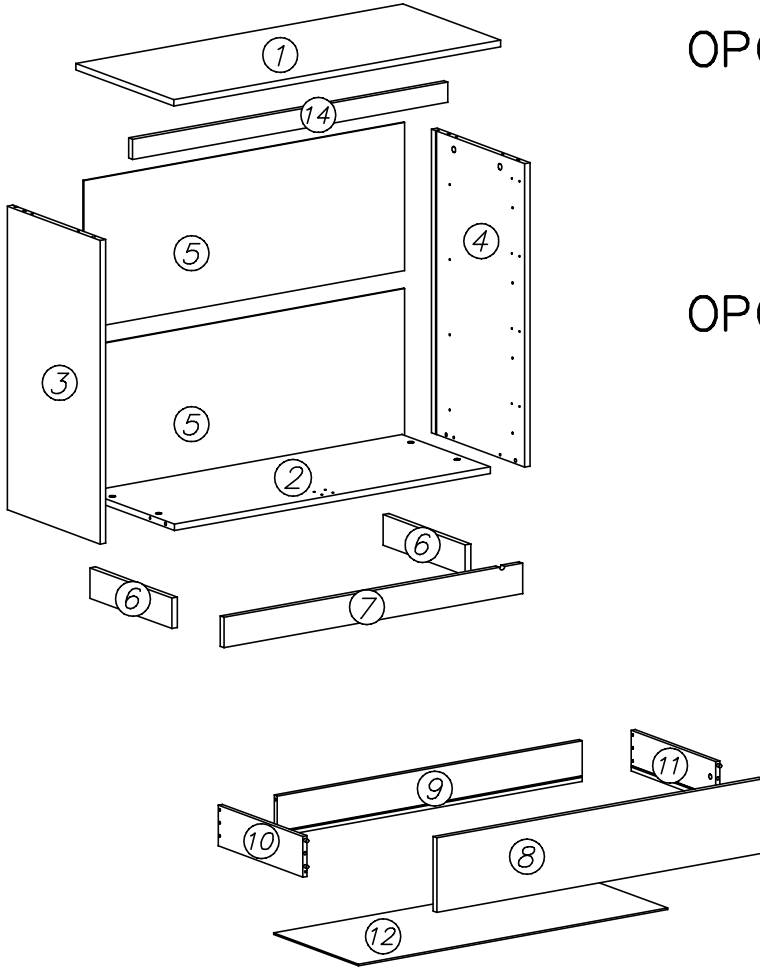
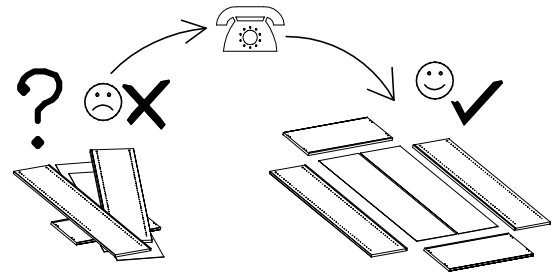
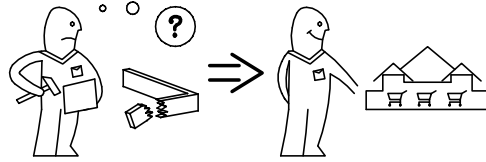
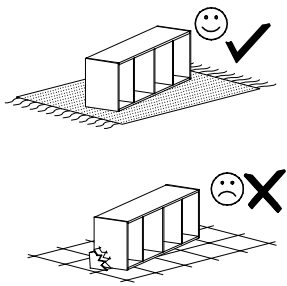


PUSH

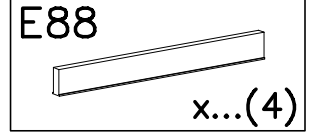


1,5h

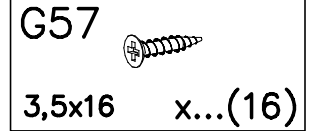
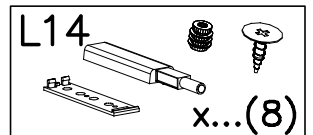
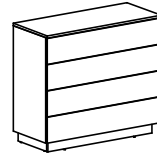




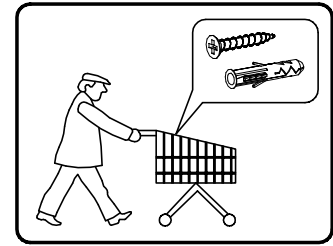
OPCJA A



OPCJA B

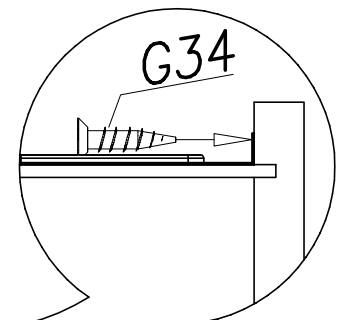
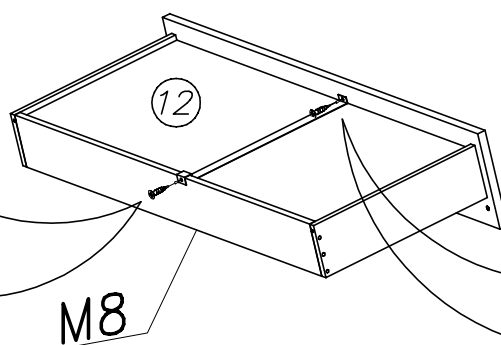
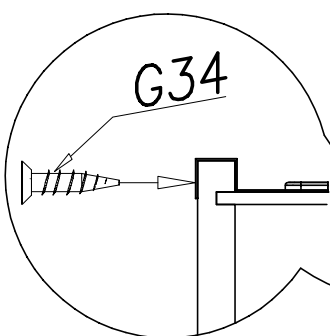
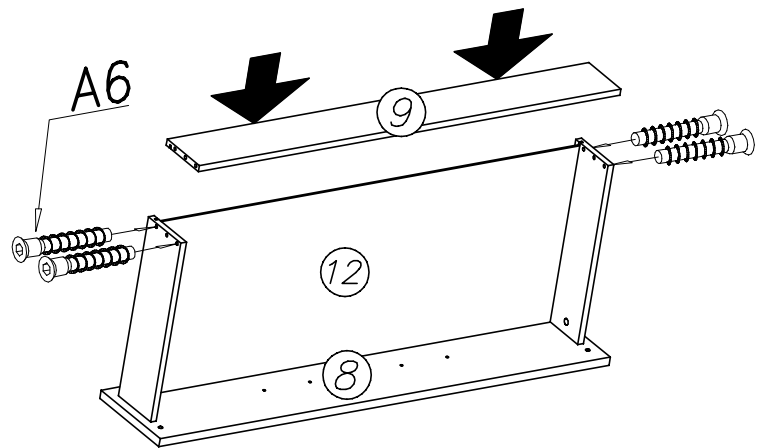
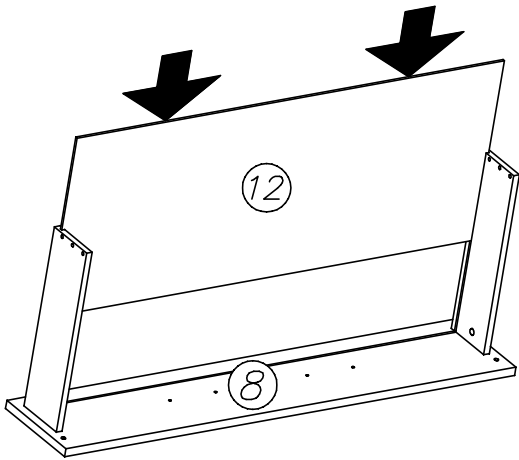
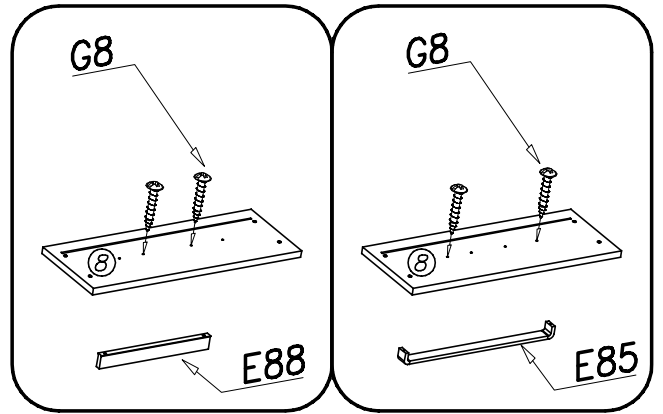
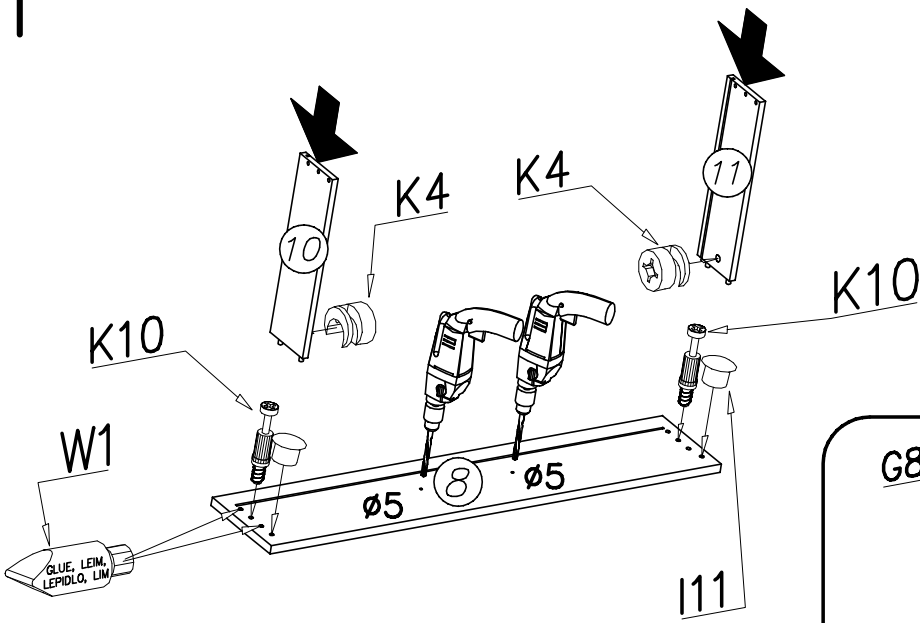


PUSH

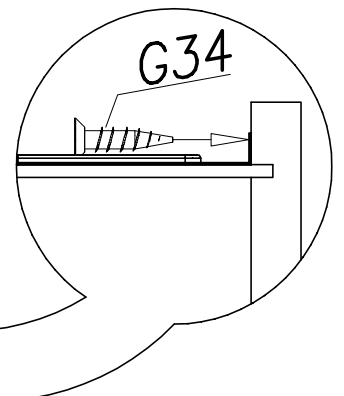
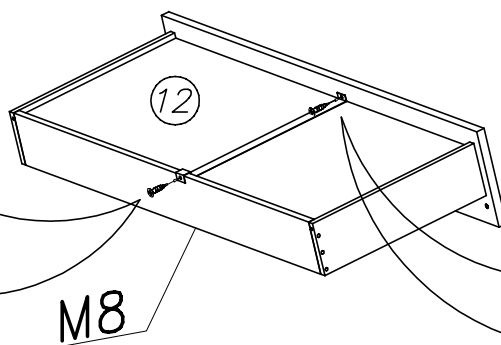
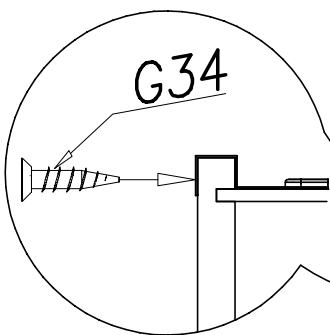
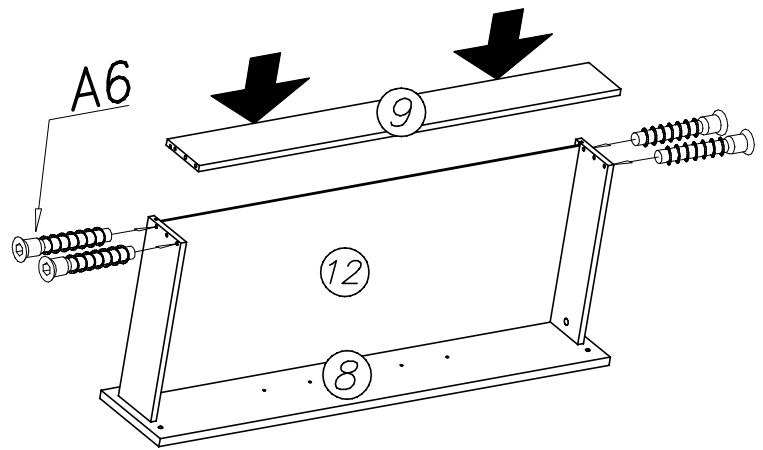
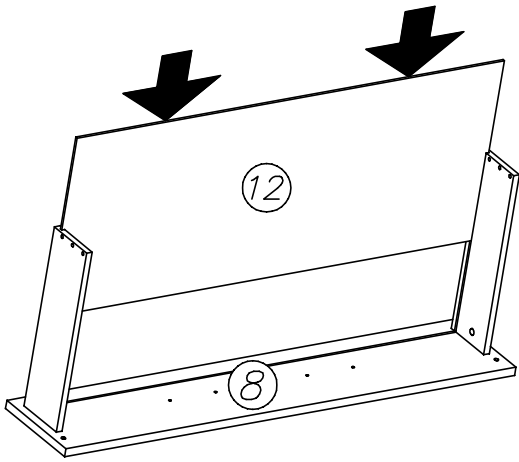
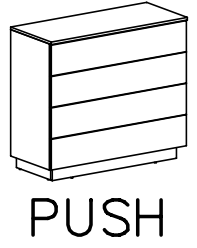
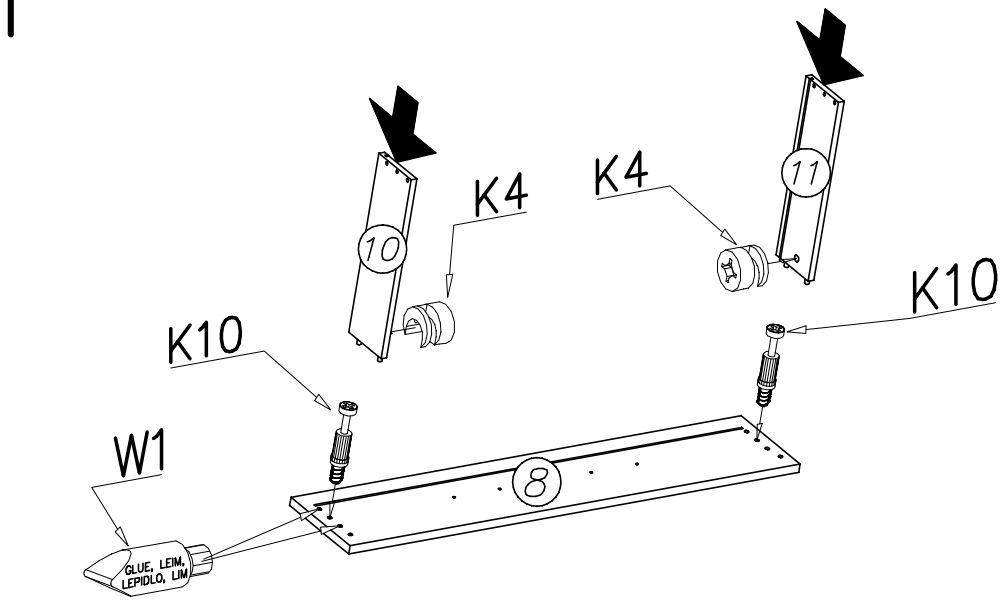


	S1 916mm x...(1)	I11 Ø10 x...(8)	M8 350mm x...(4)
H23 H27-350mm x...(4)	A6 Ø7x40 x...(16)	G20 5x13 x...(32)	M11 x...(1)
	W2 x...(1)	I1 x...(10)	W1 GLUE, LEIM, LEPIDLO, LIM x...(2)
K1 Ø15x12 x...(8)	G8 4x30 x...(8)	K4 Ø12x10 x...(8)	G34 3,5x16 x...(70)
K10 x...(16)	B1 Ø8x35 x...(8)	I7 x...(8)	P4 x...(6)
			F15 x...(15)
			W10 700mm x...(1)

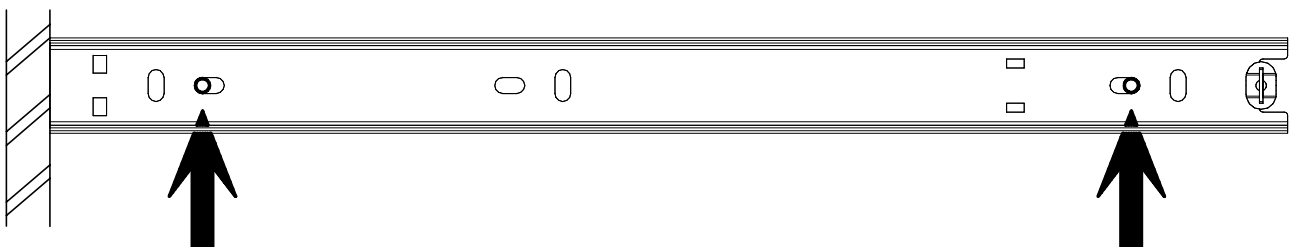
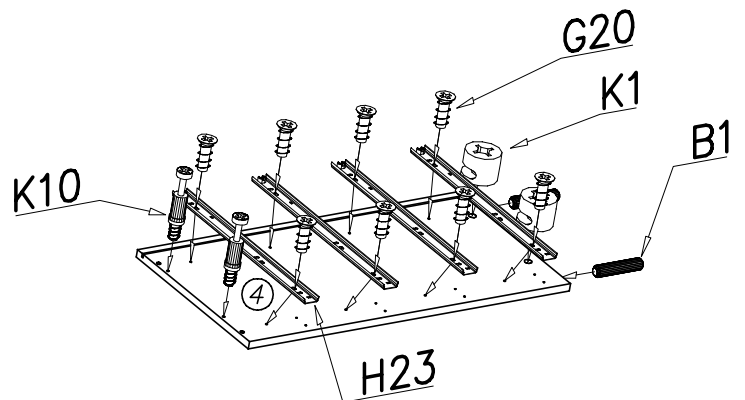
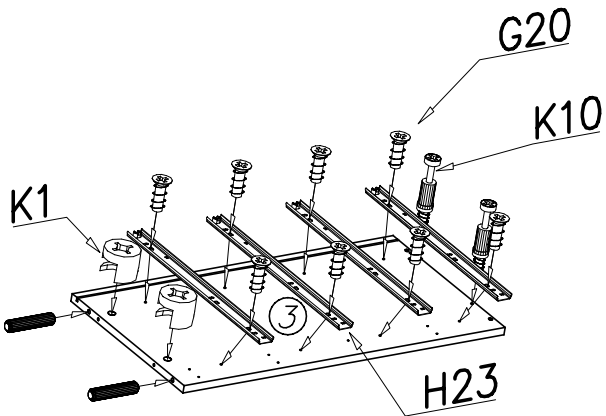
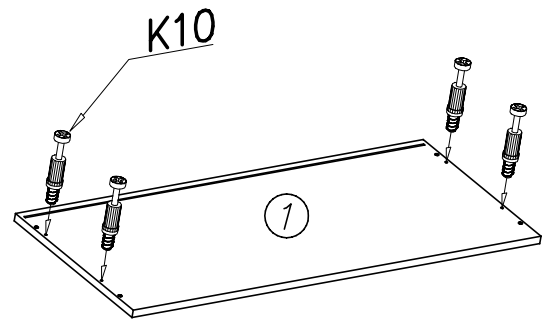
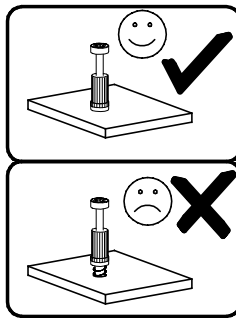
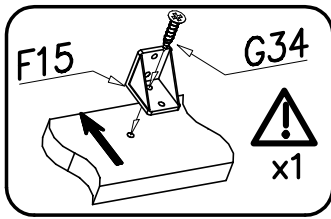
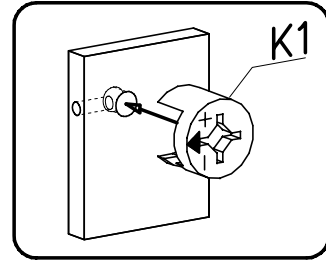
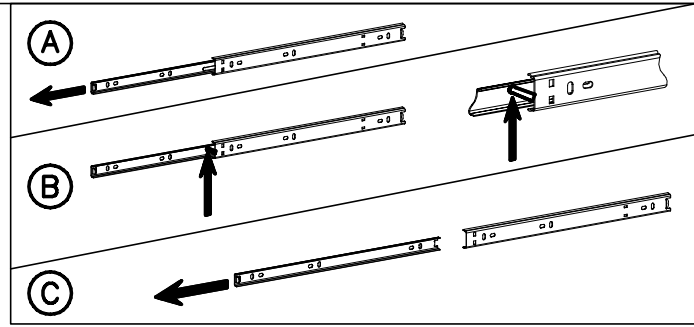
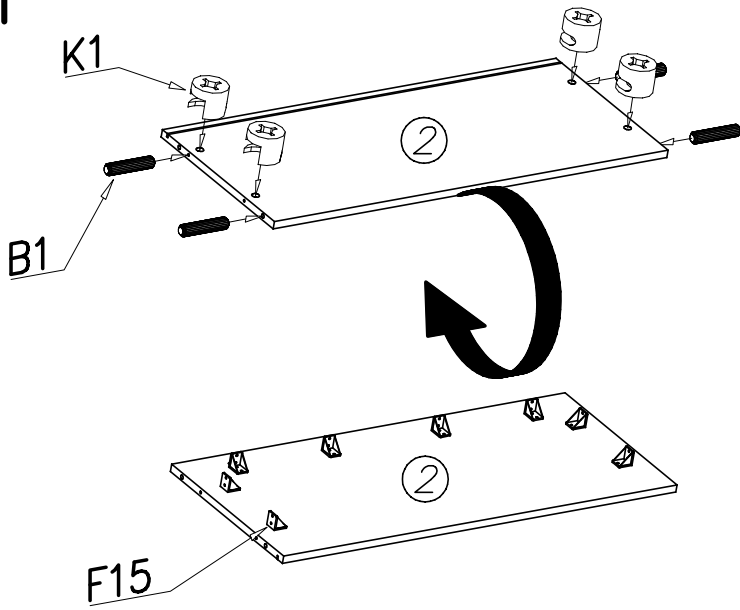
OPCJA A



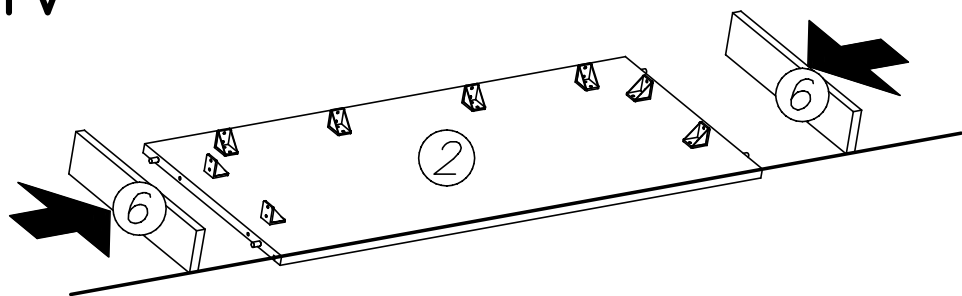
OPCJA B



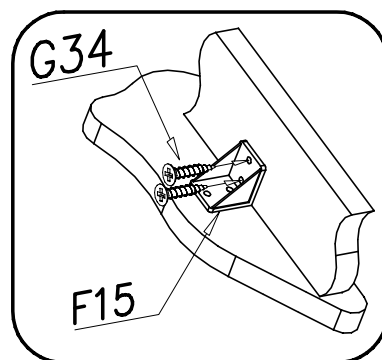
III



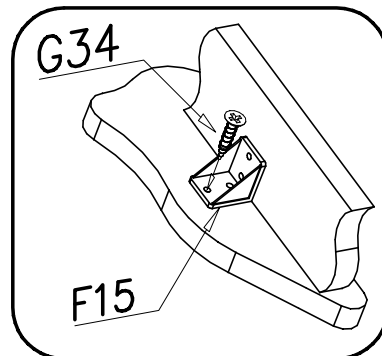
IV



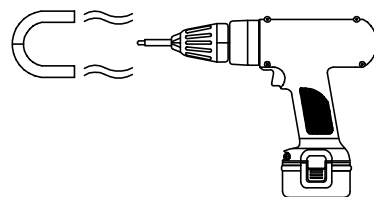
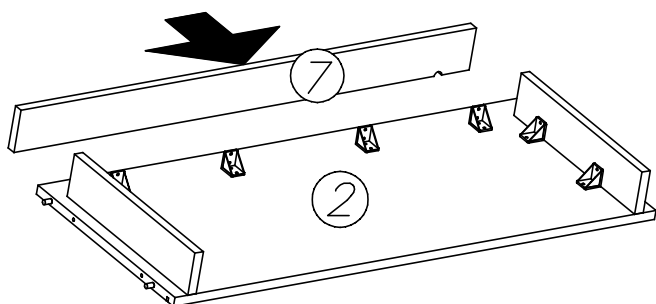
1.



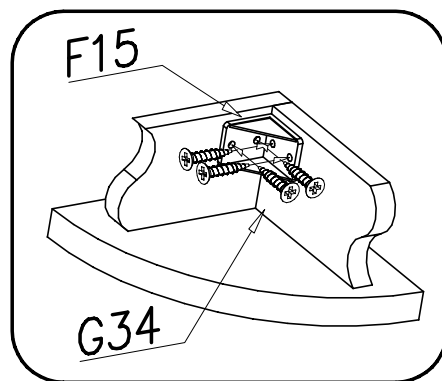
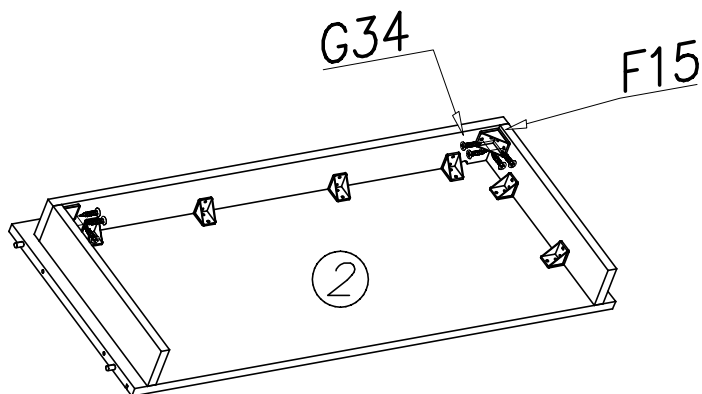
2.



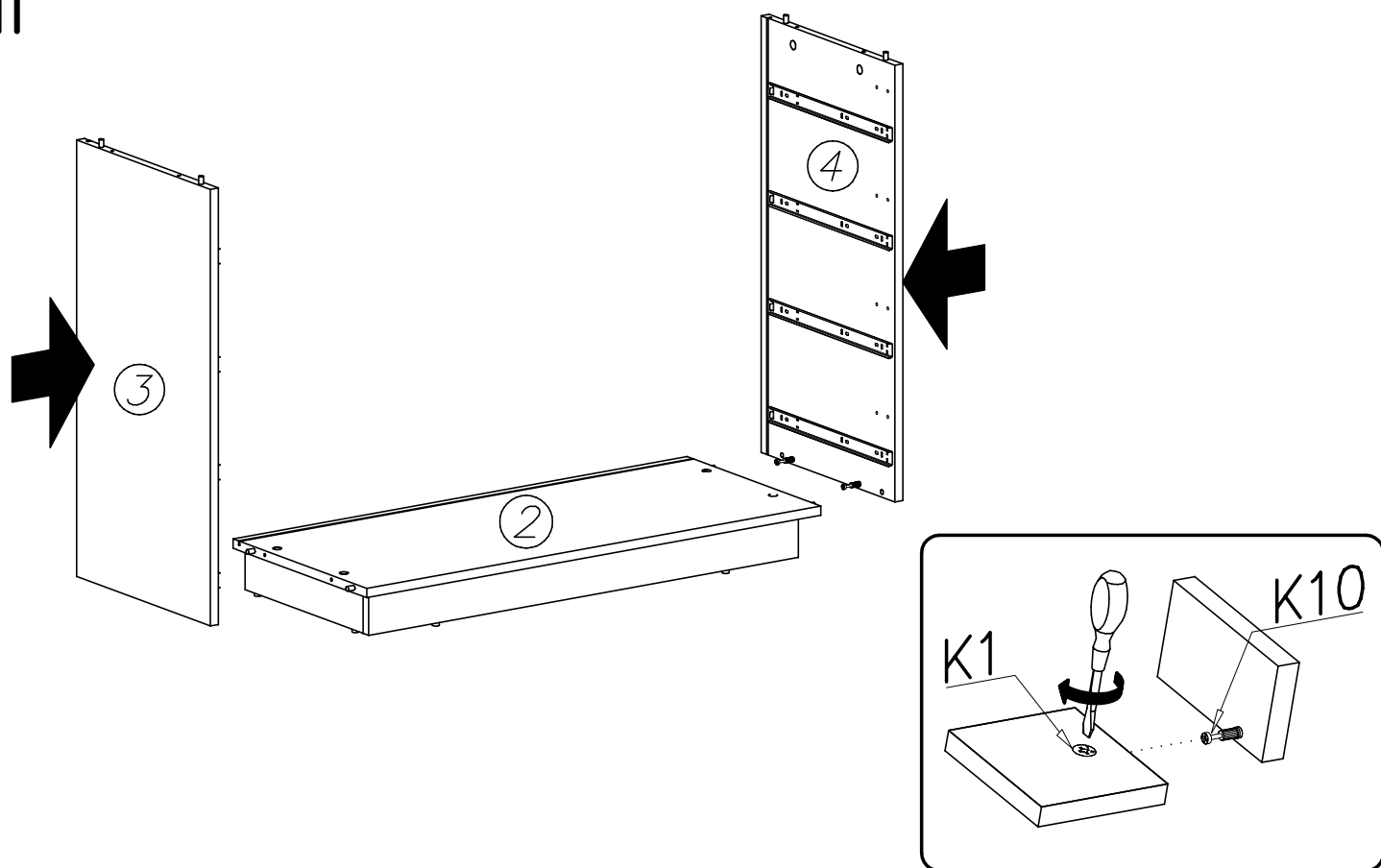
V



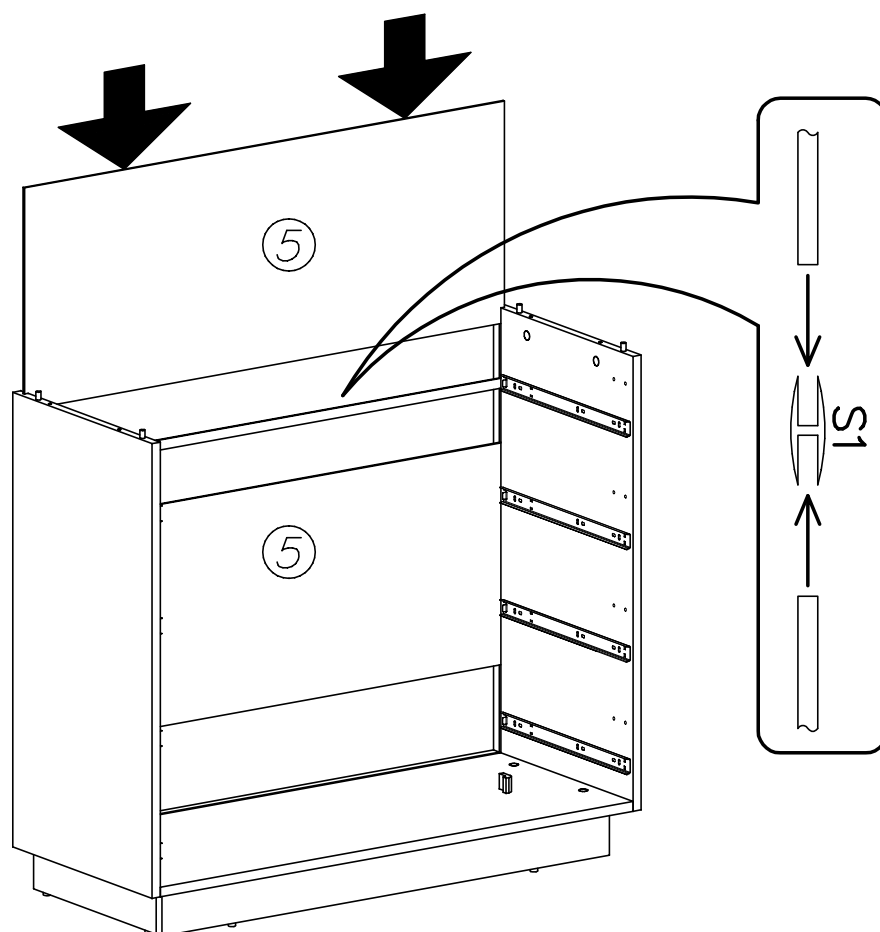
VI



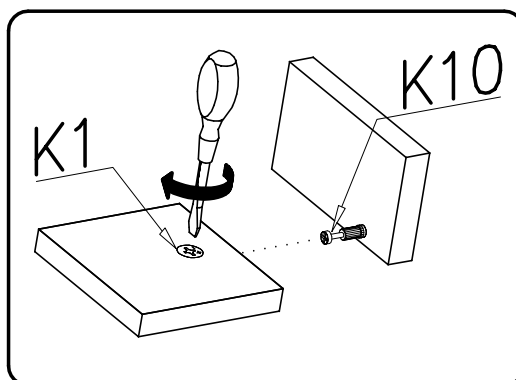
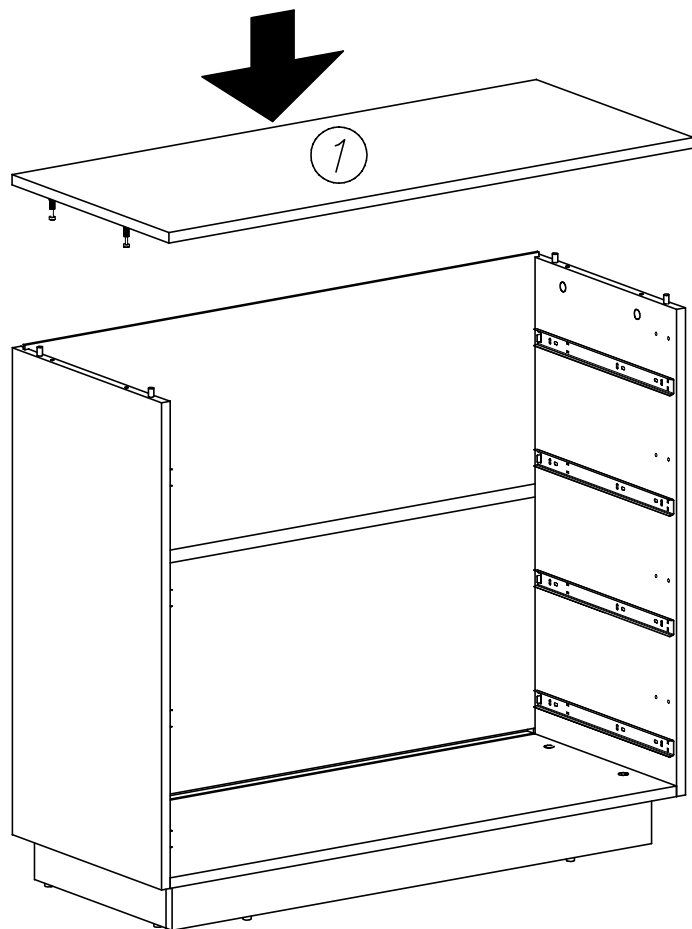
VII



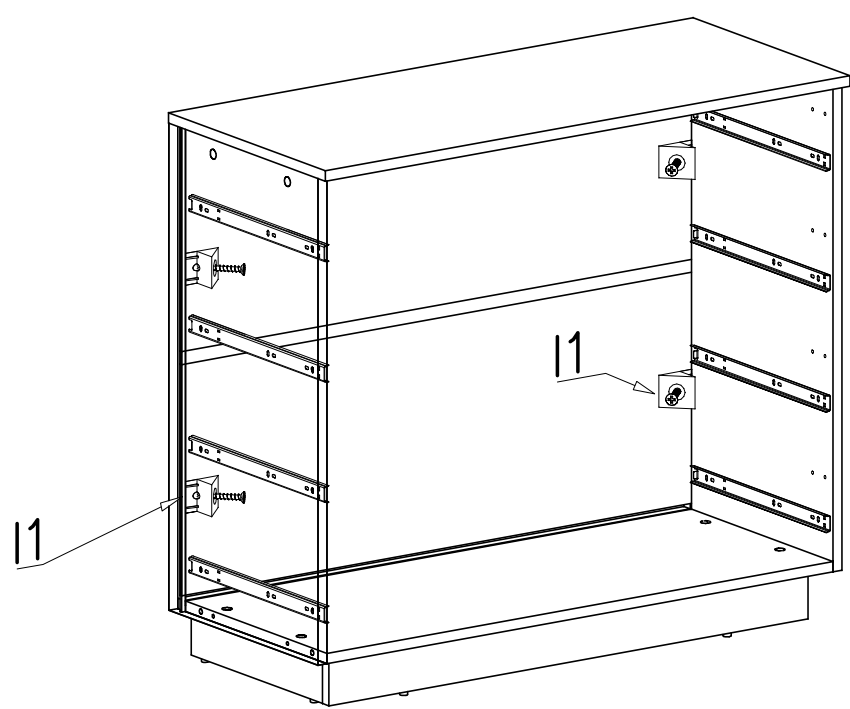
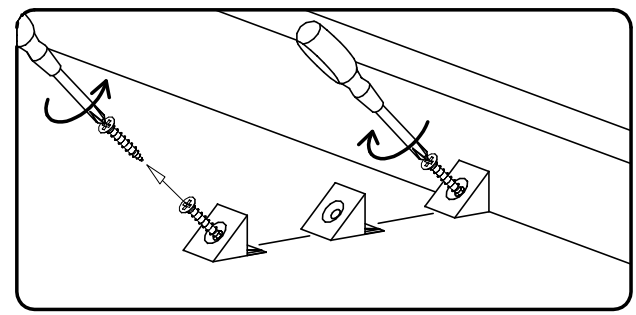
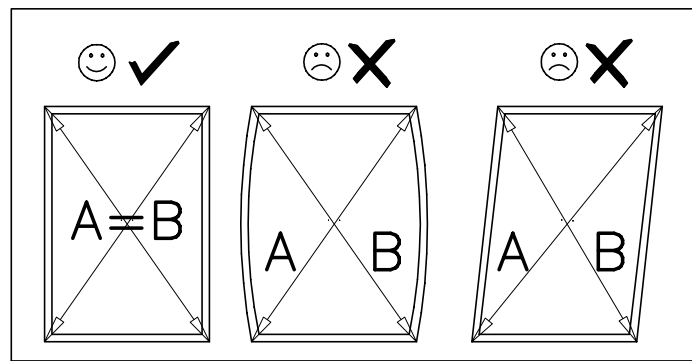
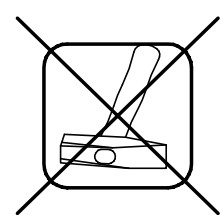
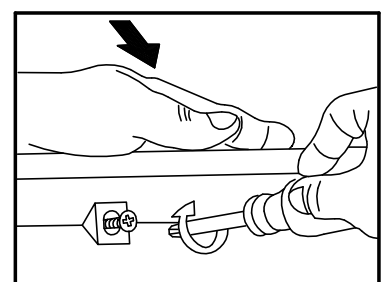
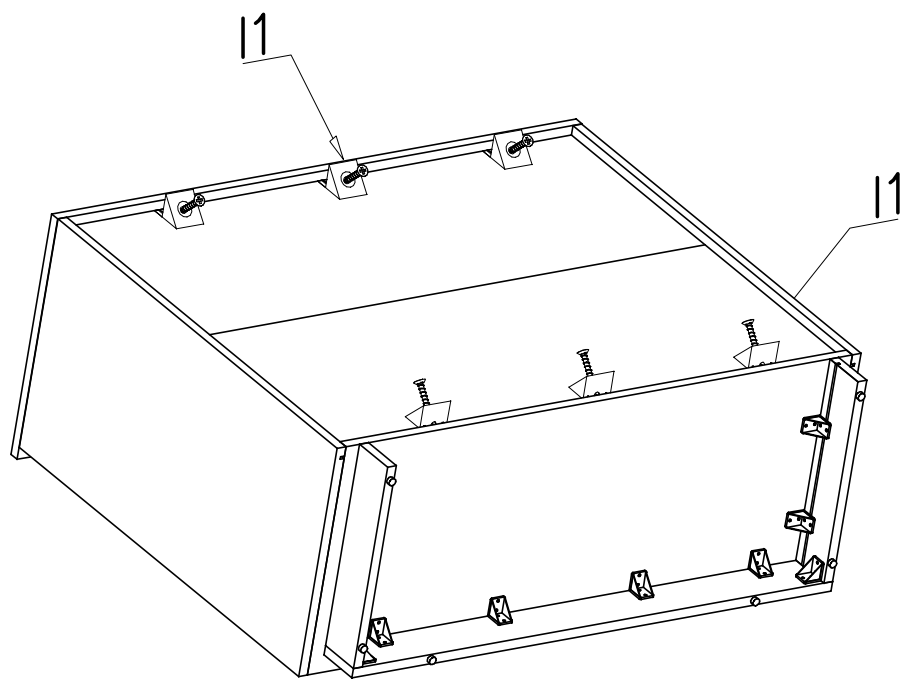
VIII



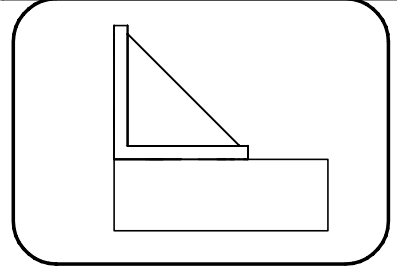
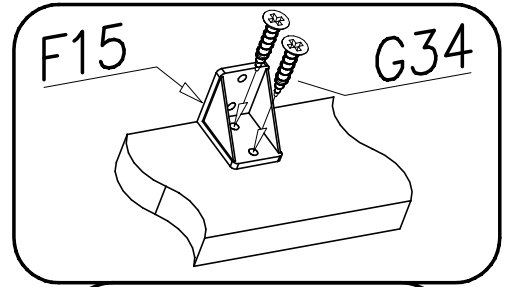
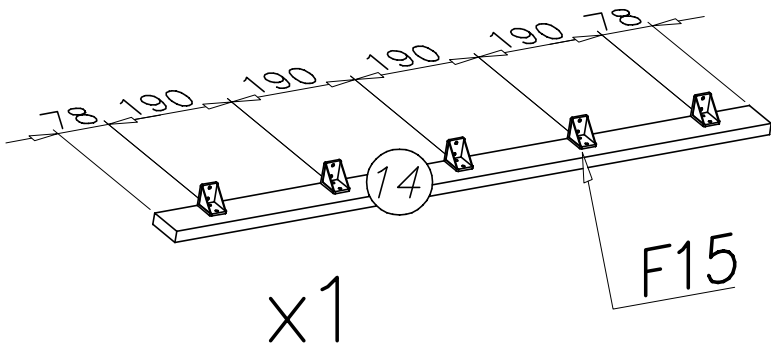
IX



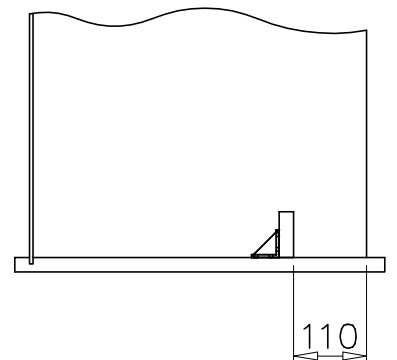
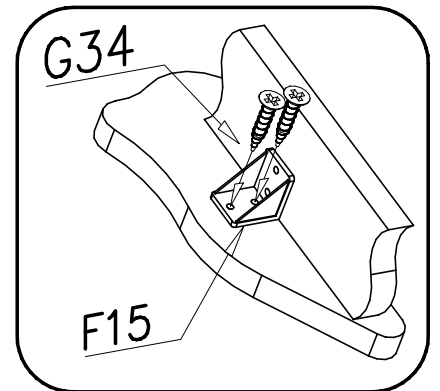
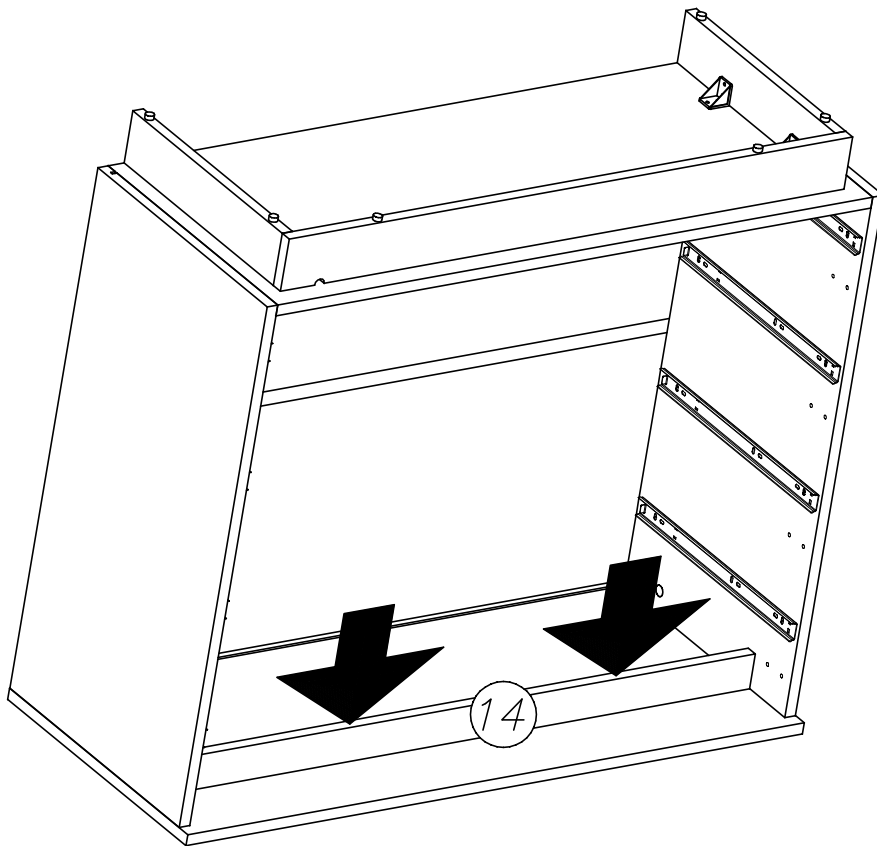
X



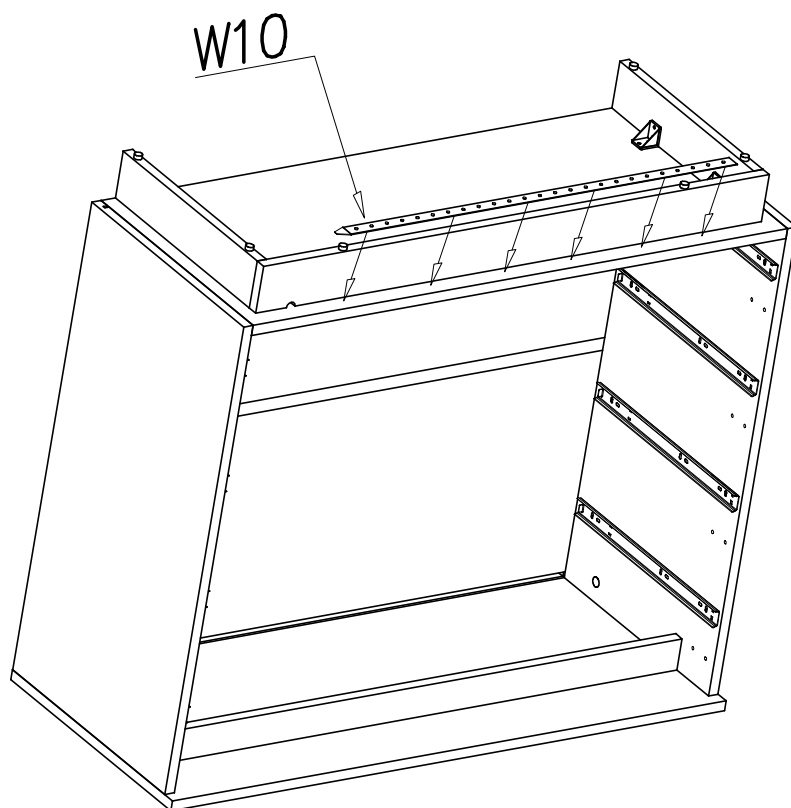
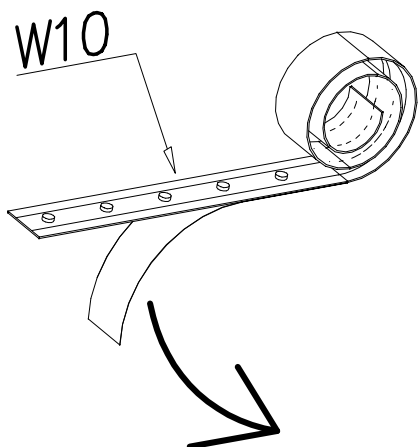
XI



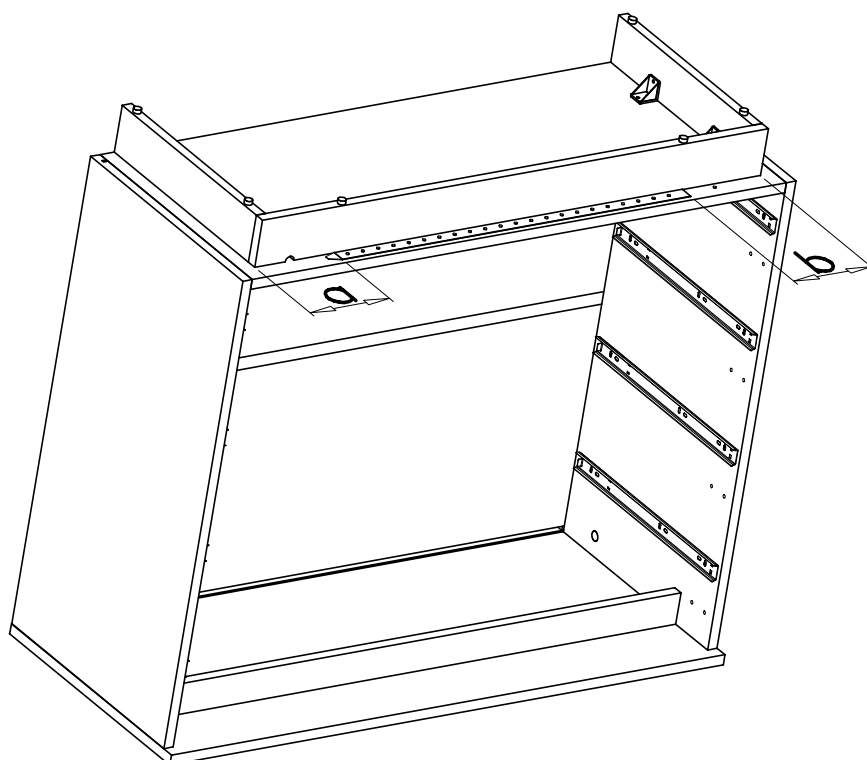
XII



XIII

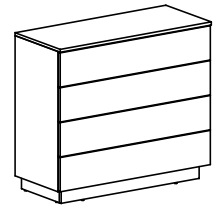
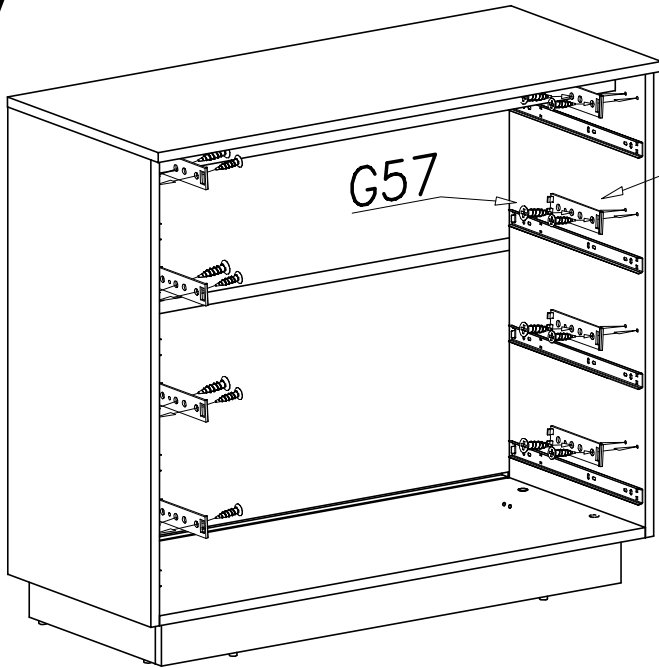


XIV

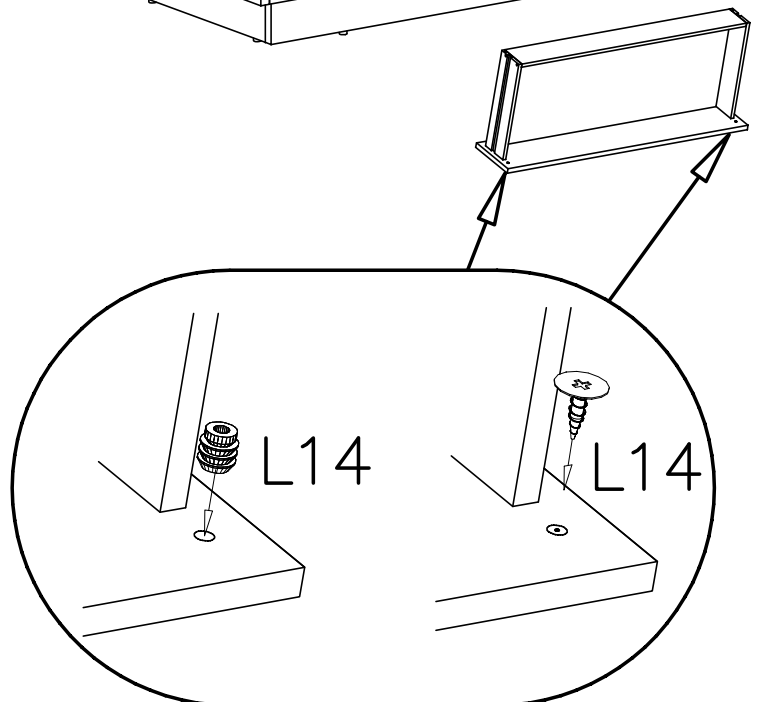
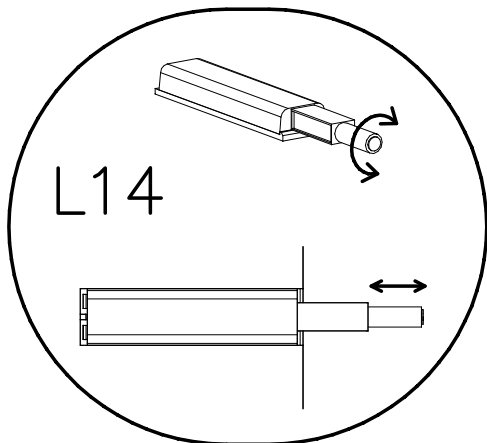
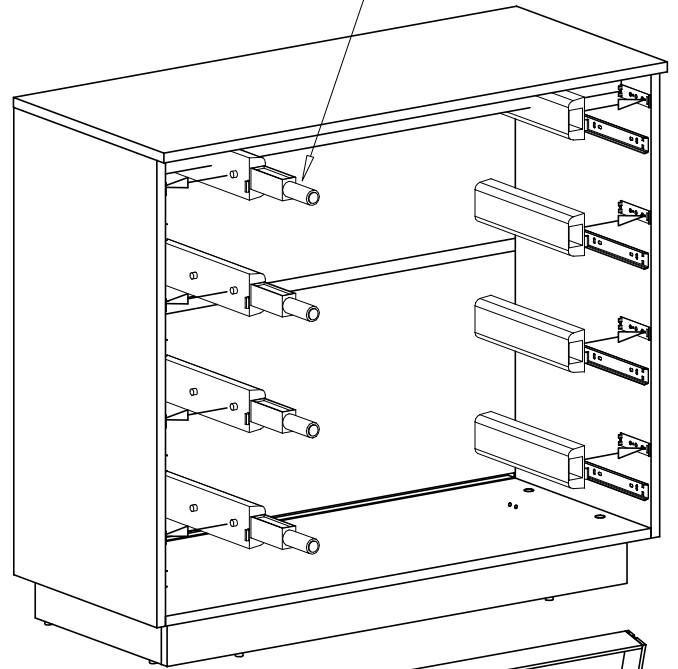
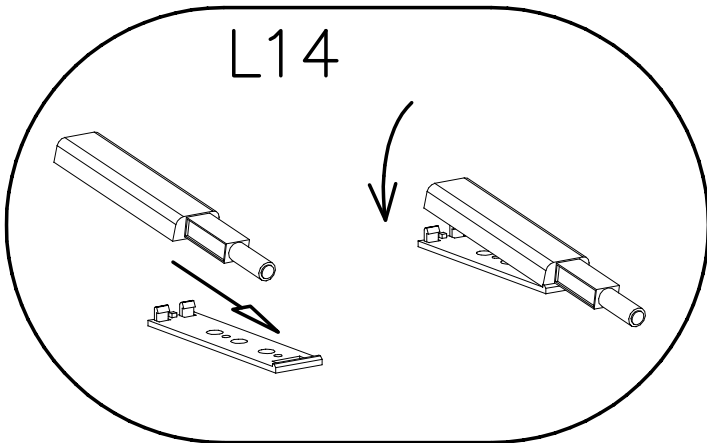
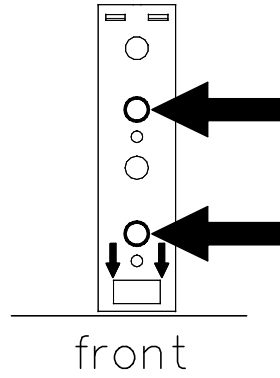
 $a=b$ 

XV

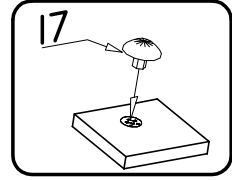
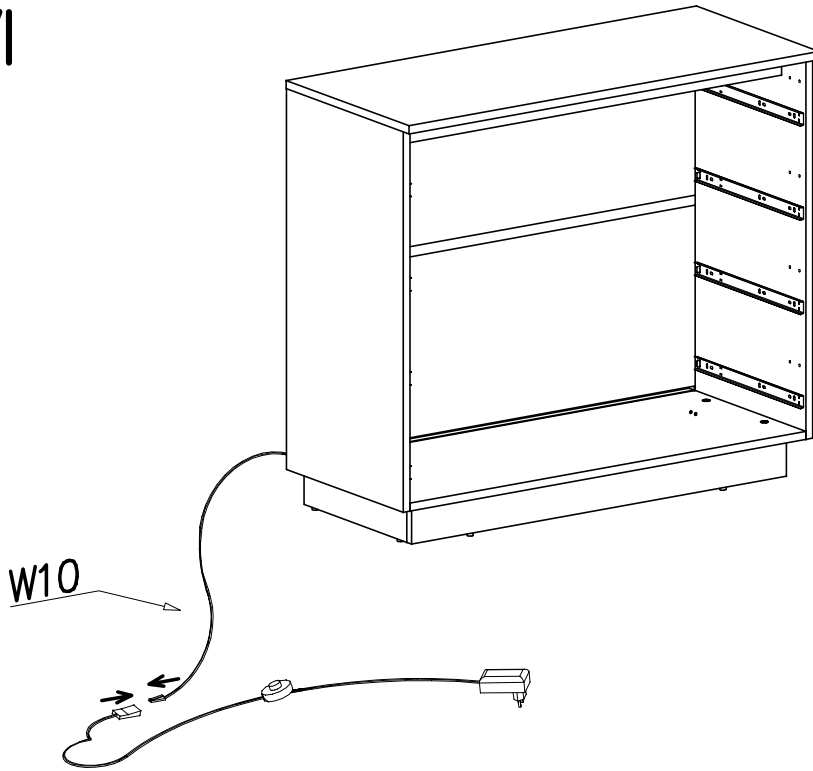
OPCJA B



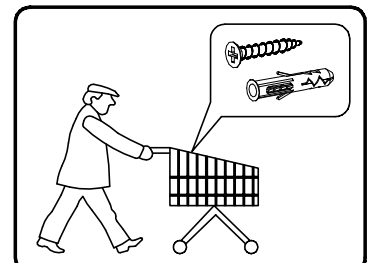
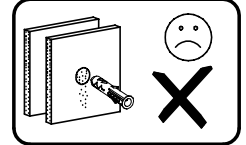
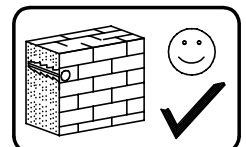
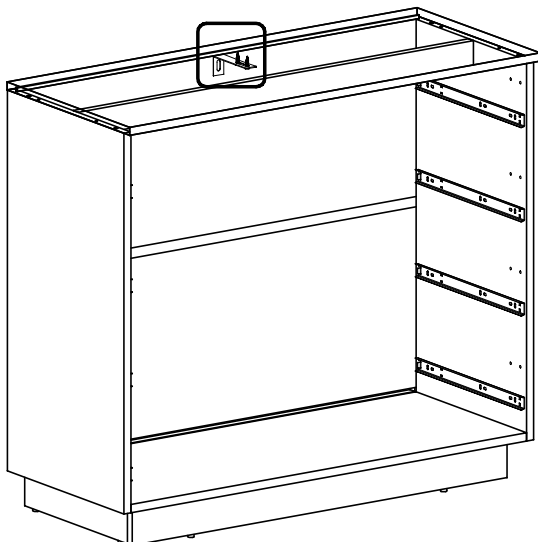
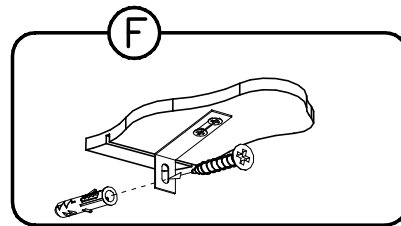
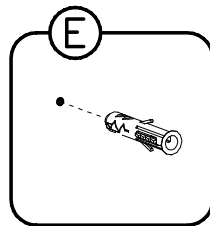
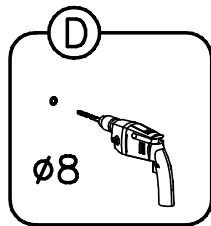
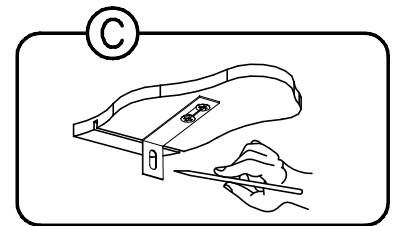
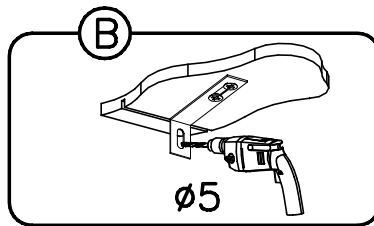
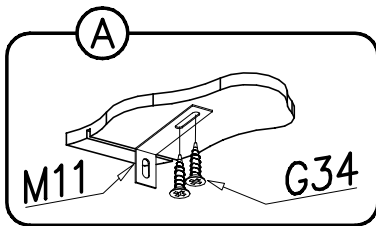
PUSH



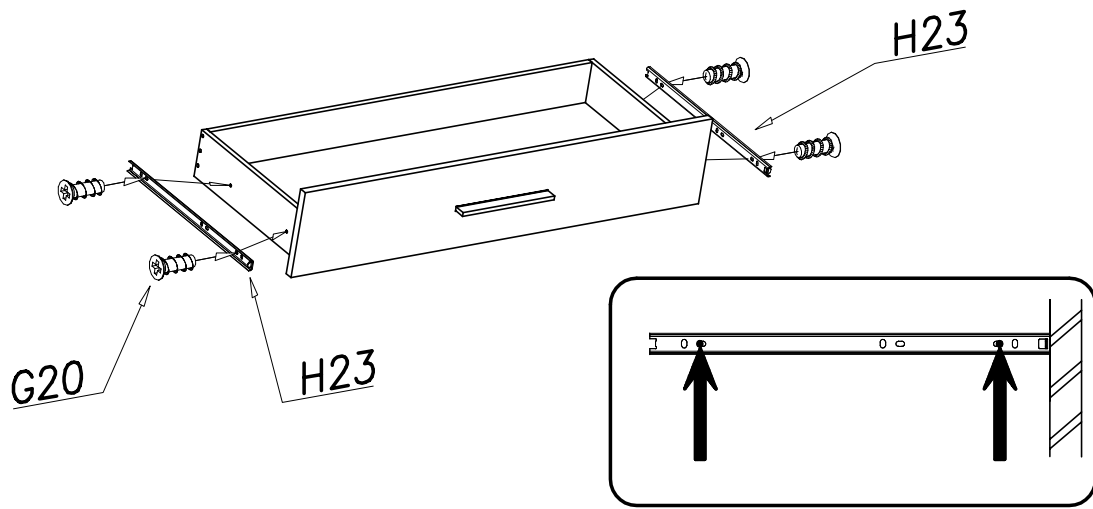
XVI



XVII



XVIII



XIX

