

Owner Manual

Safety Information

1. To reduce the risk of electric shock, the electricity has been turned off at the circuit breaker or fuse box before begin.
2. All wiring must be in accordance with the National Electrical Code NASI/NFPA 70-1999 and local electrical codes. Electrical installation should be performed by a qualified licensed electrician.
3. The outlet box and support structure must be securely mounted and capable of reliably supporting 35lbs(15.9kg). Use only UL listed outlet boxes marked "Acceptable for Fan Support of 35lbs(15.9kg) or less."
4. The fan must be mounted with a minimum of 7 ft. (2.1m) clearance from the trailing edge of the blades to the floor.
5. Do not operate the reversing switch while the fan blades are in motion. You must turn the fan off and stop the blades before you reverse the blade direction.
6. Do not place objects in the path of the blades.
7. To avoid personal injury or damage to the fan and other items, please be careful when working around or cleaning the fan.
8. Electrical diagrams are for reference only. Light kits that are not packed with the fan must be UL-listed and marked suitable for use with the model fan you are installing. Switches must be UL General Use Switches. Refer to the instructions packaged with the light kits and switches for proper assembly.
9. After making electrical connections, spliced conductors should be turned upward and pushed carefully up into the outlet box. The wires should be spread apart with the grounded conductor and the equipment-grounding conductor on one side of the outlet box.
10. All set screws must be checked and retightened where necessary before installation.



WARNING: To reduce the risk of personal injury, do not bend the blade brackets (also referred to as flanges) during assembly or after installation. Do not insert objects in the path of the blades.



WARNING: Remove the rubber motor stops on the bottom of the fan before installing the blades or testing the motor.



WARNING: To reduce the risk of fire or electric shock, do not use this fan with any solid-state speed control device.



WARNING: To avoid possible electric shock, turn the electricity off at the main fuse box before wiring. If you feel you do not have enough electrical wiring knowledge or experience, contact a licensed electrician.



WARNING: Electrical diagrams are for reference only. Optional use of any light kit shall be UL-listed and marked suitable for use with this fan.



WARNING: To reduce the risk of fire, electric shock, or personal injury, mount to outlet box marked "Acceptable for fan support of 35 lbs.(15.9 kg) or less" and use the screws provided with the outlet box.

TECHNICAL INFORMATION

Rated Voltage	Rated Power (motor)	Light
110-120VAC	5W±0.5W	6*E12 Bulb MAX. 5W (not included)



**Wood screws
(4PCS)**



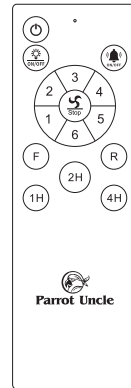
**Mounting screws
(2PCS)**



Washer (2PCS)



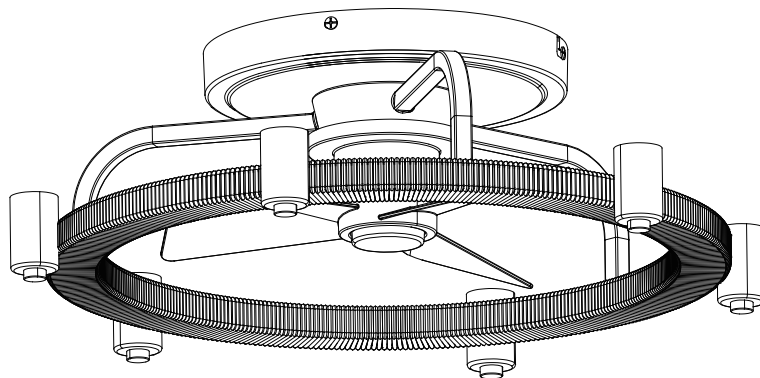
**Spring washer
(2PCS)**



Remote control (1PC)



**Plastic wire nut
(3PCS)**

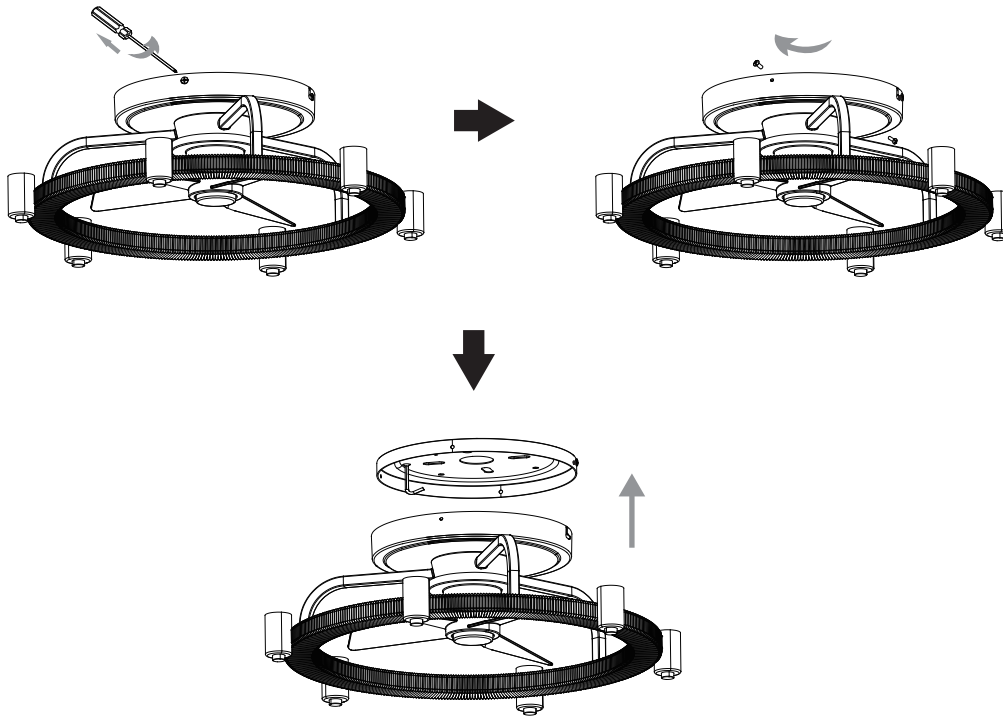


Light fixture (1PC)

Pls check whether above accessories are completed or not? Yes, and install.

1 REMOVE THE HANGING PLATE FROM THE LIGHTING FIXTURE:

1. Remove 2 screws from the lighting fixture
2. Loosen 2 screws from the hanging plate
3. Rotate the hanging plate counterclockwise and remove it from the light fixture

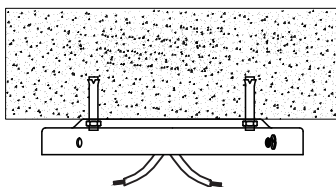


⊕ Phillips
screwdriver

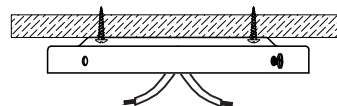
2 INSTALLING THE HANGING PLATE:

Install the hanging plate to the ceiling and thread the power supply through the center hole of the hanging plate.

! Note: Turn off the power before installation



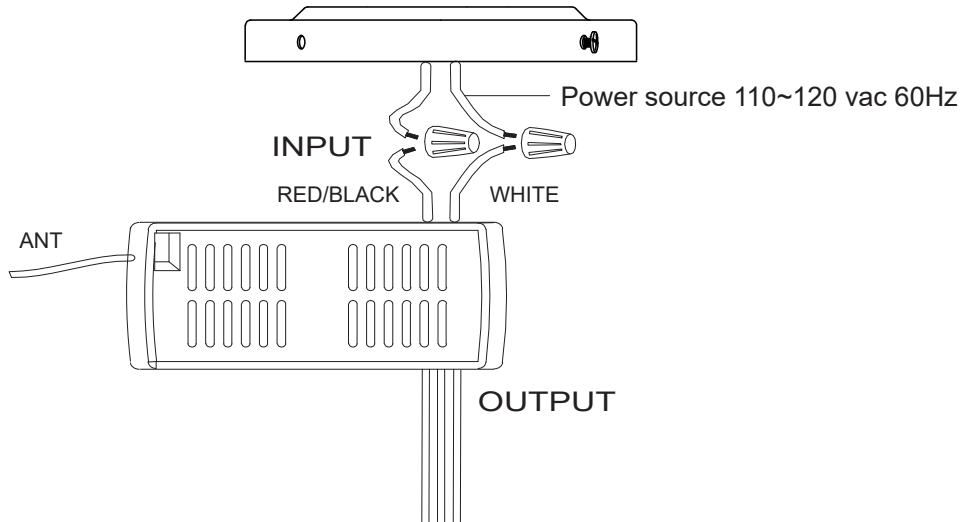
(1) Cement ceilings use expansion screws (not included).



(2) Wooden ceilings use wood screws.

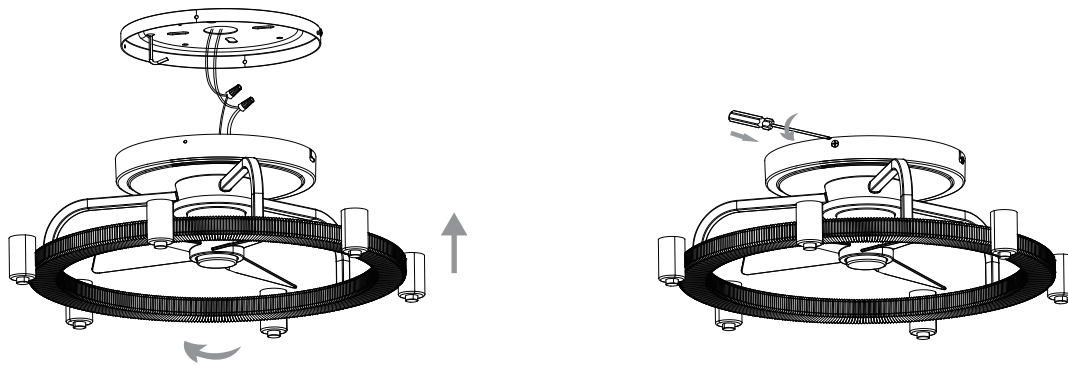
3 CONNECT WIRE:

Connect the remote controller (pre-installed in the canopy of the lighting fixture) to the power supply using plastic wire nuts.



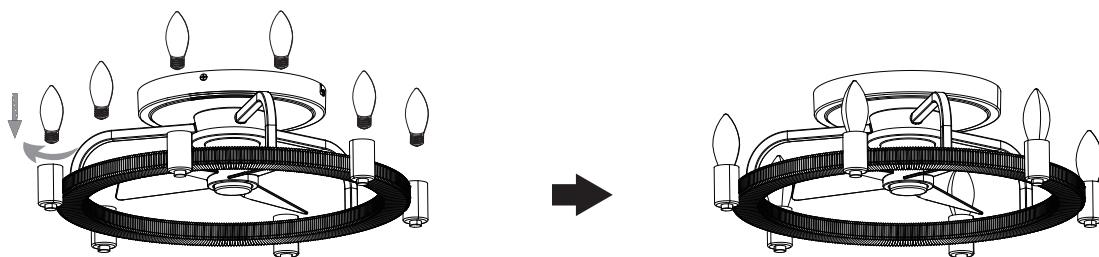
4 INSTALLING THE LIGHT FIXTURE TO HANGING PLATE:

1. Locate 2 screws of the hanging plate, attach light fixture to the hanging plate by placing screws into the keyhole slots. Rotate the light fixture counterclockwise so that screws slide into the narrow ends of the slots.
2. Use the 2 screws that were previously removed to lock the light fixture and the hanging plate tightly.
3. Tighten the all screws firmly.

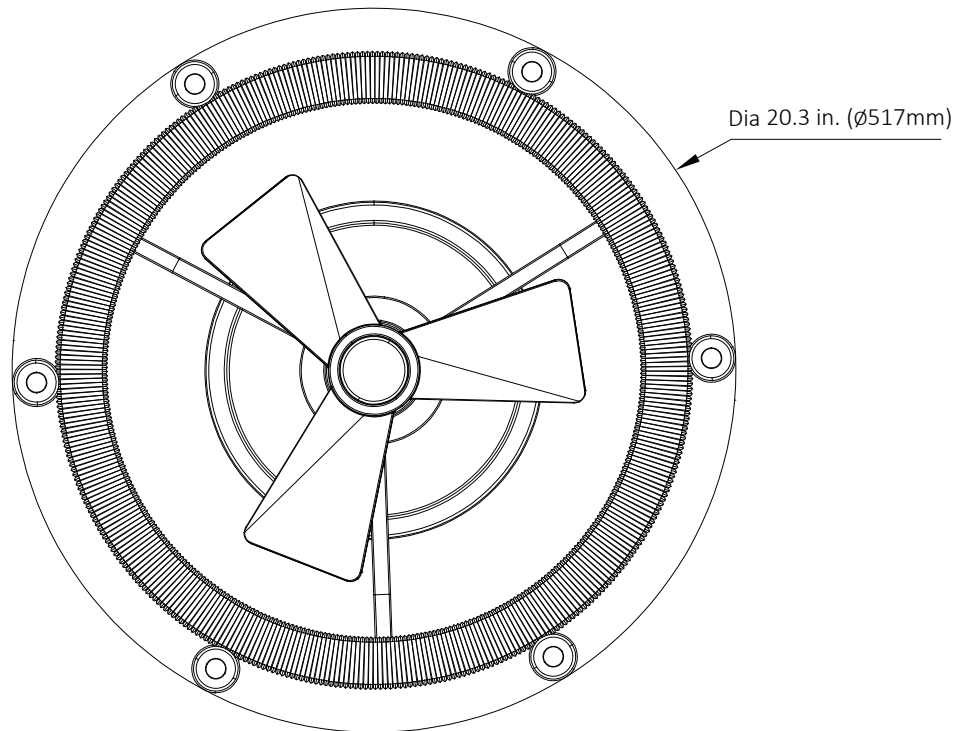
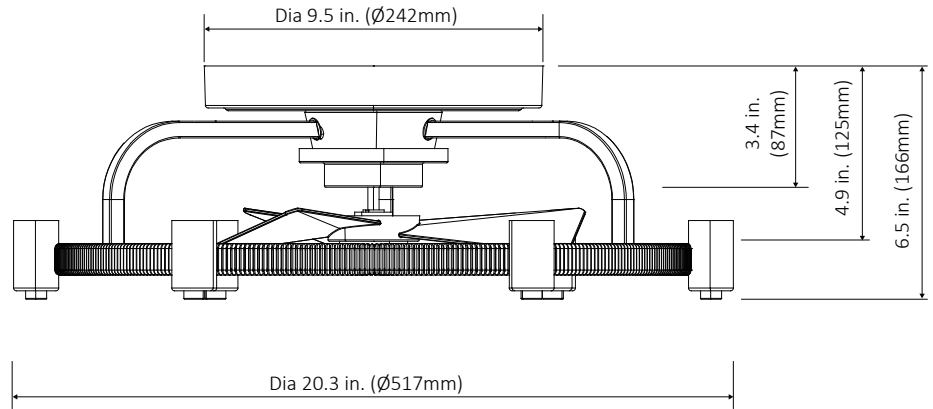


⊕ Phillips
screwdriver

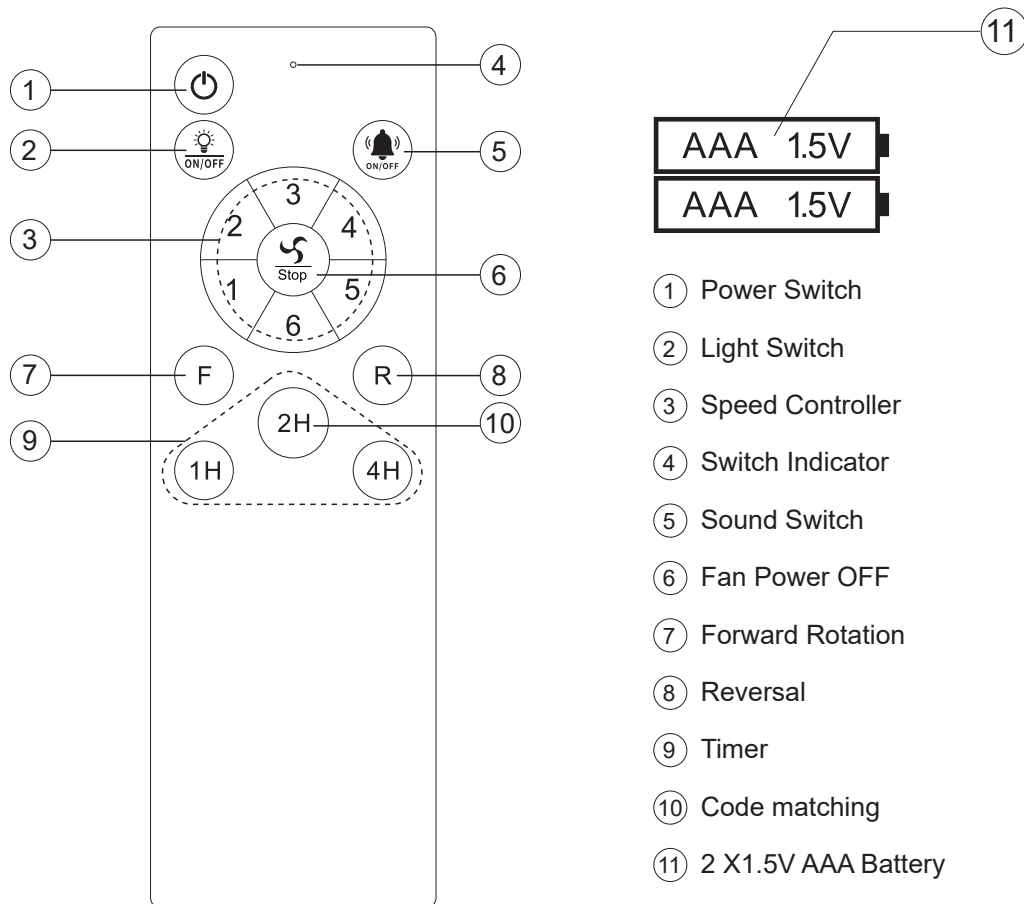
5 INSTALL 6 E12 BULBS (not included) .



PRODUCT SIZE



2.4G Fan Light Controller



Actual use shall be subject to the real product

This product uses 2.4G wireless digital remote control technology, remote control one-to-one control, simple and convenient operation, strong anti-interference ability.

Remote control matching code:

Turn on the power (press the key) and press and hold the code matching () key within 5 seconds of the light on, when you hear a beep or a light flashes, the code match is successful. If you need to match the code a second time, you need to wait 30 seconds before turn on the power and repeat the above operation.

- RF wireless digital transmission technology is adopted to realize the one-to-one control providing a rate of coincident code less than 1/50000. Same code number is attached to the back of the emitter and the receiver. It is required to return a pair of the same code number of emitter / receiver to the manufacturer for repair service in case of any damage.
- In a sufficient space, you can use the receiver at any angle, no worry about the direction.

NOTICES

1. When the emitter is unable to remotely control the receiver, please check whether the switch batteries are in good contact, whether they are fixed properly and whether they run out of use.
2. When the emitter is unable to remotely control the receiver, please check whether there is other remote control products around the space and check whether the keys are pressed down, because same nature of remote control product may cause interference with each other resulting in poor receiving effect. Taking away such articles will normalize the remote control function. (the infrared remote controller is not included).
3. Please use this product under applicable voltage. Too low voltage will lead to failure of the remote controller to work (Please refer to the product label for the voltage range and related parameters).
4. Please take out the batteries if you will no use this product for a long time.