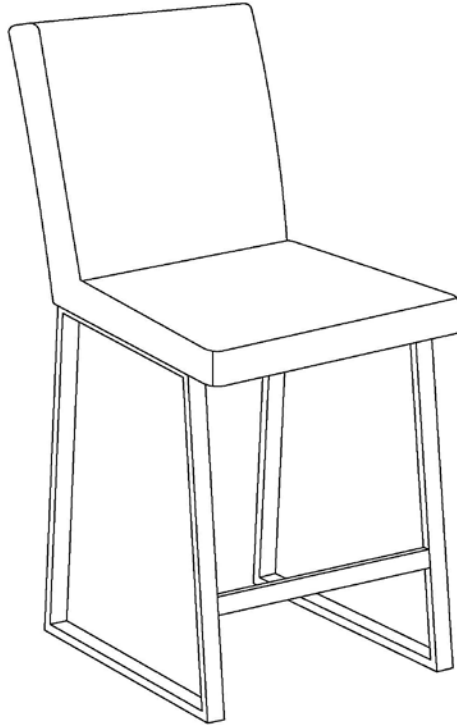


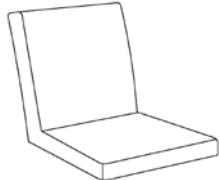
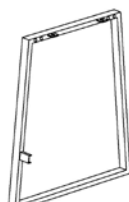
Assembly Instructions

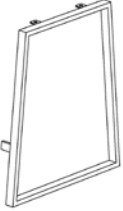
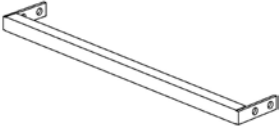
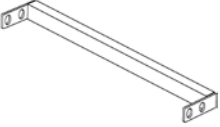
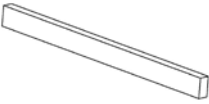
Caution: You must read this before you proceed

BARSTOOL

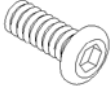



Parts List

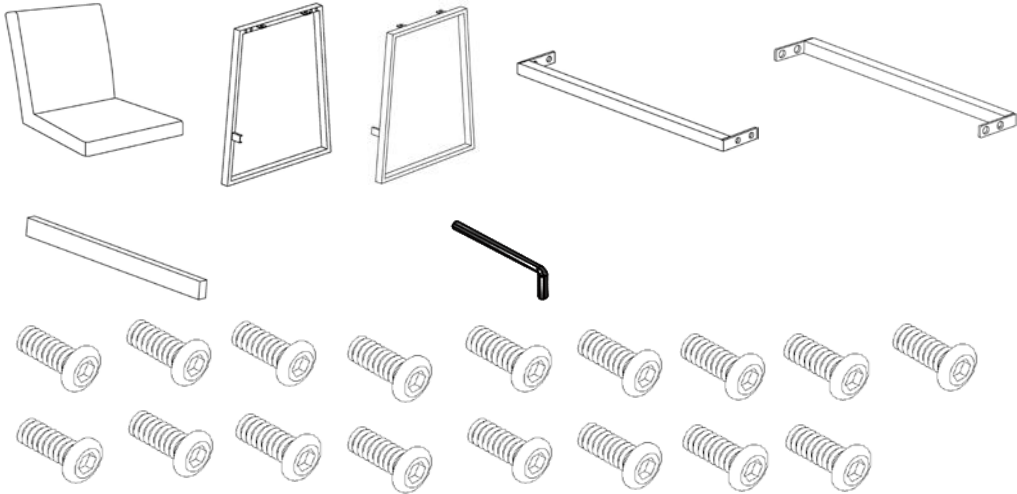
Label	Picture	Description	QTY
A		Chair Seat	1
B		Left Leg (with Adjustable Leveller)	1

C		Right Leg (with Adjustable Leveller)	1
D		Front Rail	1
E		Back Rail	1
F		Front Connecting Rod	1

Hardware

Label	Picture	Description	QTY
①		Bolt (M6*16mm)	17
②		Allen Key	1

Assembly Preparation

Before Beginning Assembly:	
----------------------------	--------------------------------------------------------------------------------------



- Read instructions, cover to cover-



- Have 2 adults on hand for assembly-



- Do not assemble on flooring or carpet-



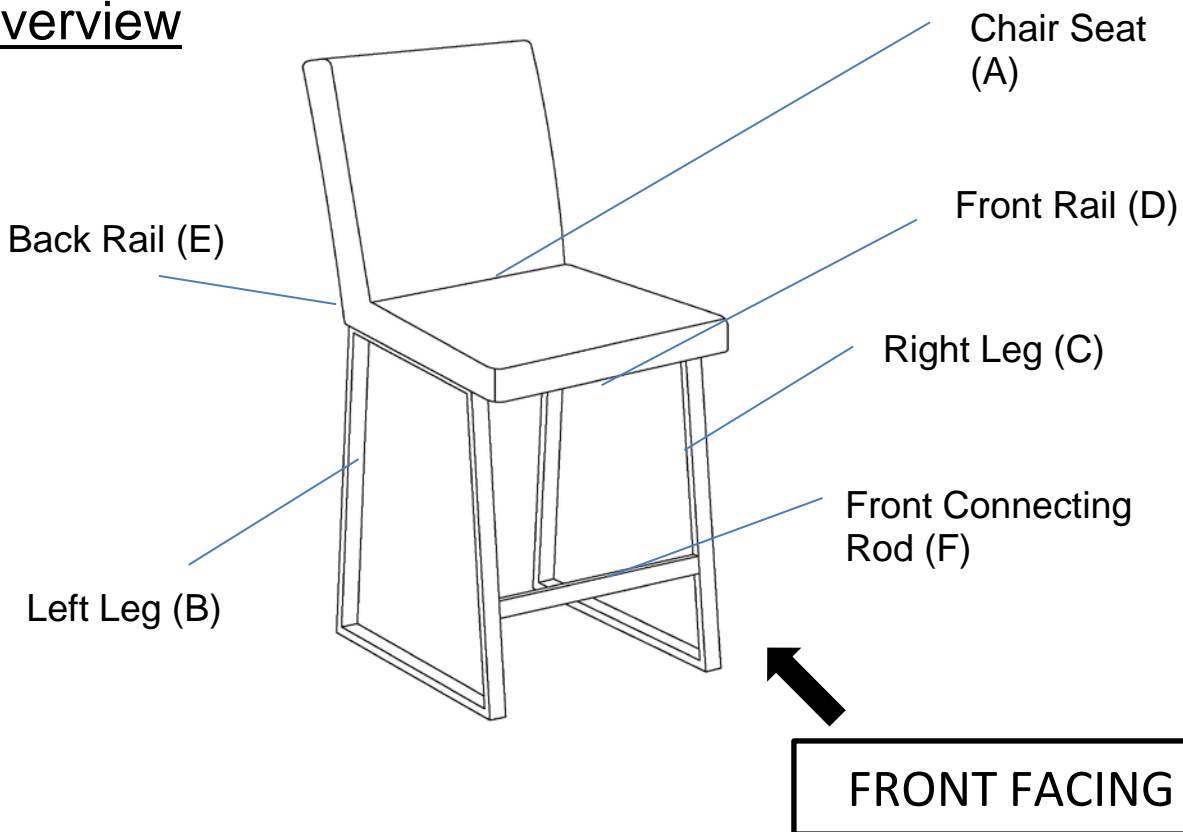
- Assemble on a clean non-marring surface (packing foam)-



- Save all packaging until finished-

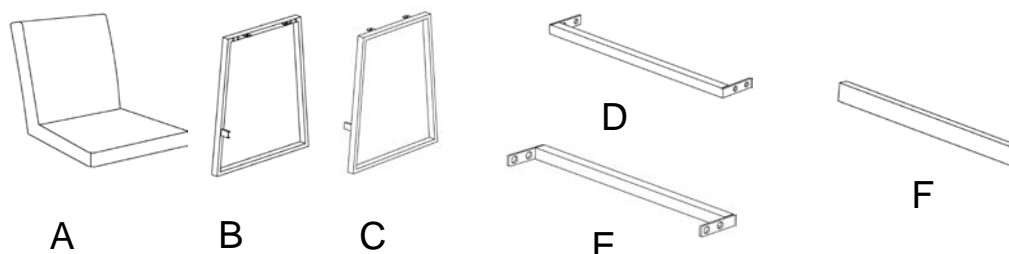
Assembly Steps

Overview



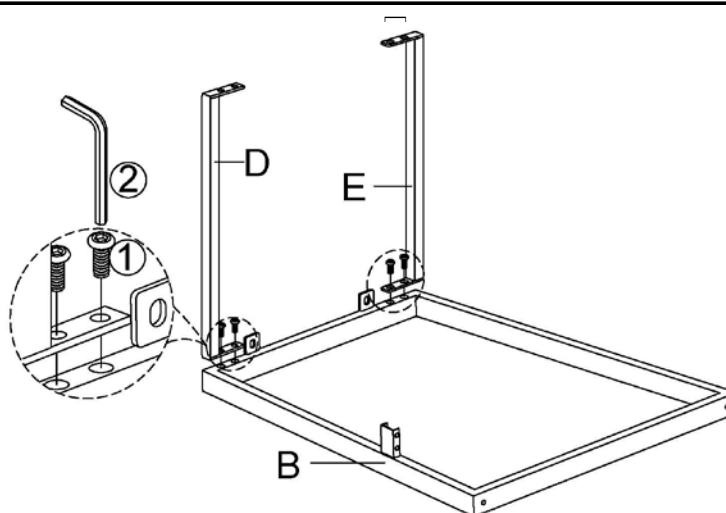
This Stool has multiple parts and may require up to 30 minutes to assemble. To give you an overview of the Stool, the above picture is to help you put the various parts into perspective. Please read through the instructions below to familiarise yourself with the parts and steps before assembly.

Step 1



Place the Chair Seat(A), Left Leg(with Adjustable Leveller)(B), Right Leg(with Adjustable Leveller)(C), Front Rail(D), Back Rail(E), and Front Connecting Rod(F) onto a clean, non-marring surface.

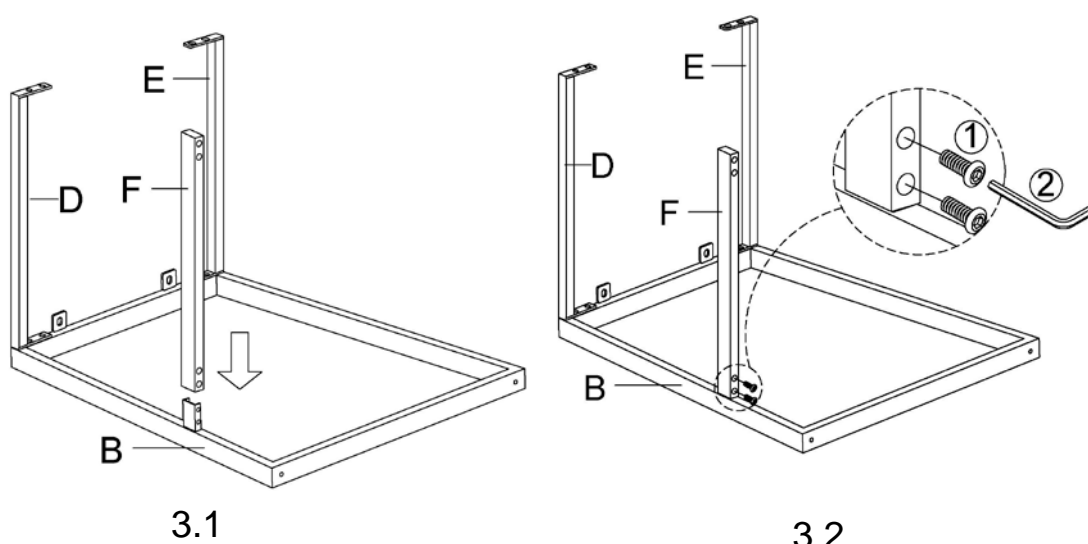
Step 2



Attach Front Rail(D) and Back Rail(E) to Left Leg(with Adjustable Leveller)(B) using Bolts(1) with Allen Key(2) as shown above.

Tighten the Bolts fully in a sequential manner.

Step 3

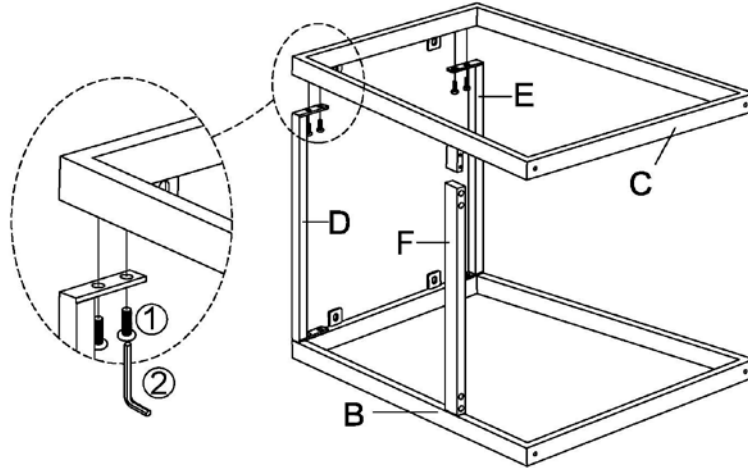


3.1) Insert Connecting Rod(F) into Left Leg(with Adjustable Leveller)(B) as shown above.

3.2) Attach Connecting Rod(F) to Left Leg(with Adjustable Leveller)(B) using Bolts(①) with Allen Key(②) as pictured above.

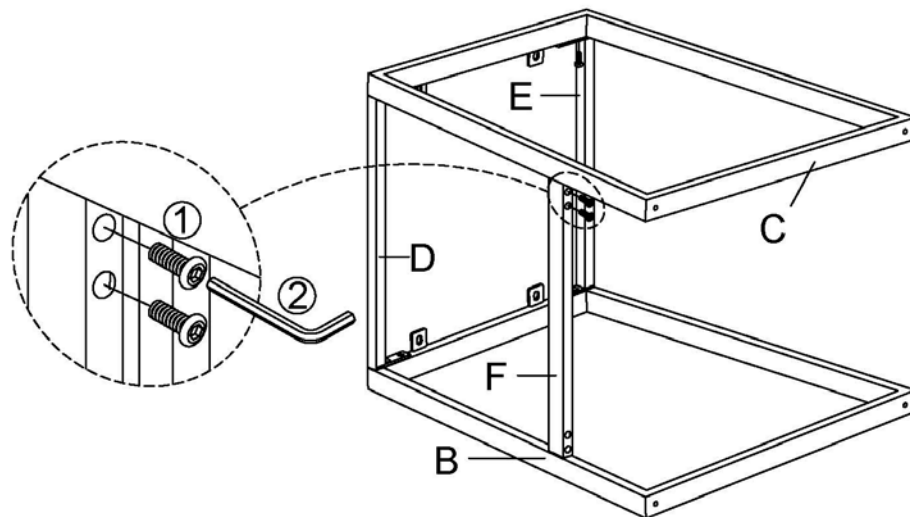
Tighten the Bolts fully in a sequential manner.

Step 4



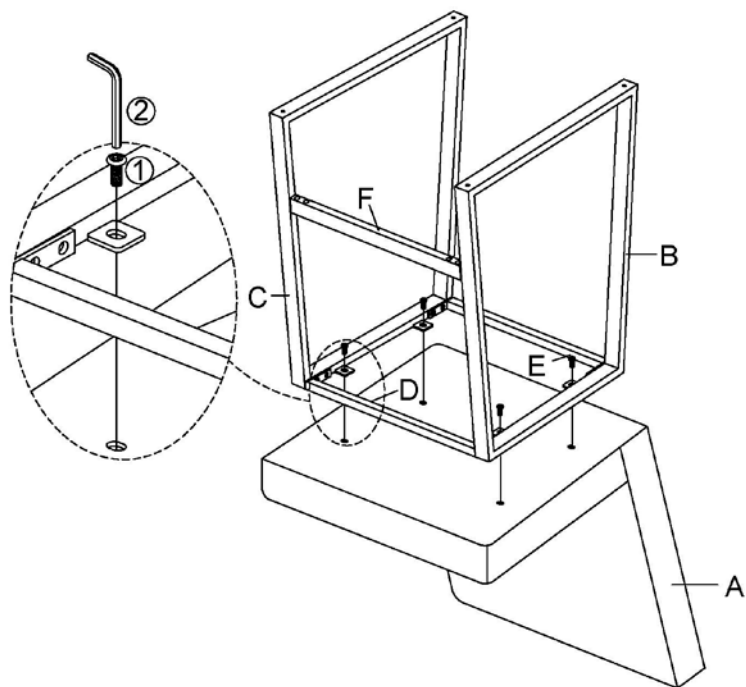
Align Right Leg(with Adjustable Leveller)(C) to Front Rail(D), Back Rail(E) and Front Connecting Rod(F). Attach Right Leg(with Adjustable Leveller)(C) to Front Rail(D) and Back Rail(E) using Bolts(①) with Allen Key(②) as shown above.

Step 5



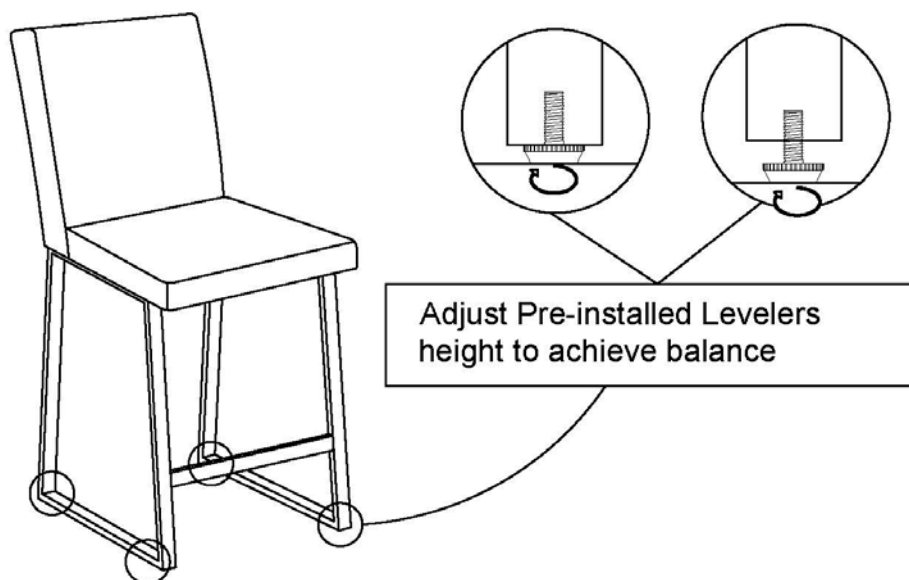
Attach Right Leg(with Adjustable Leveller)(C) to Front Connecting Rod(F) using Bolts(①) with Allen Key(②) as shown above.

Step 6



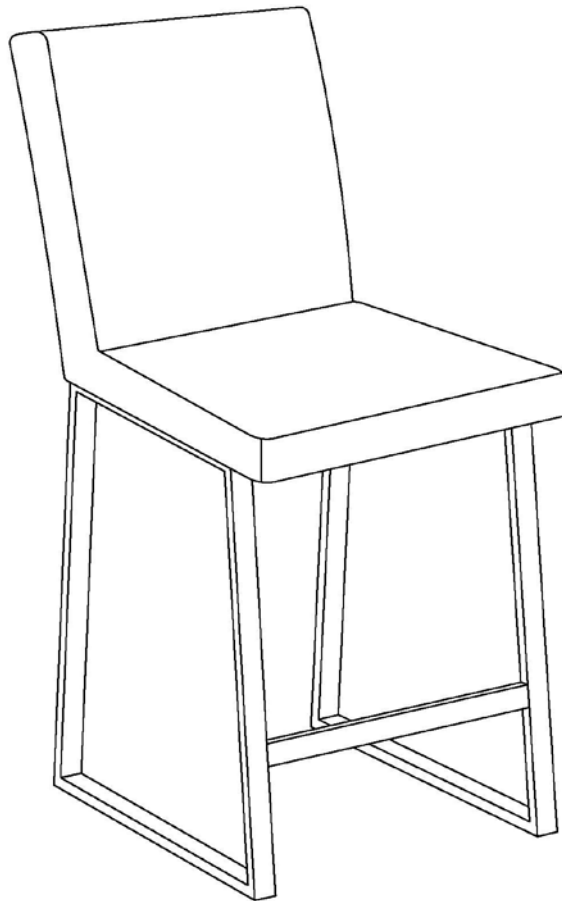
Align Left Leg(with Adjustable Leveller)(B) and Right Leg(with Adjustable Leveller)(C) to the bottom of Chair Seat(A) and attach using Bolts(1) with Allen Key(2) as shown above.

Step 7



Adjust the Pre-installed Levelers at the bottom of Left Leg(with Adjustable Leveller)(B) and Right Leg(with Adjustable Leveller)(C) until the Stool is level with the ground.

Step 8




Your Stool is ready for use.

This Stool can only be used on a flat, level surface.

Care & Maintenance

-   • Do not put hot items directly on furniture surface.
-   • Do not clean furniture with harsh cleansers or polish.
-   • Do not place furniture under direct sunlight.
-   • Do not place furniture near heating or cooling vents.
-   • Do not write on furniture without a padded barrier to protect the surface.
-   • Do not place furniture outside. For indoor use only.
-   • Not for commercial use. For residential use only.
-   • Stains may be removed with mild soap solution and damp cloth.

-
-   • Dust and pick-up spills using a clean, non-colored, lint-free cloth.