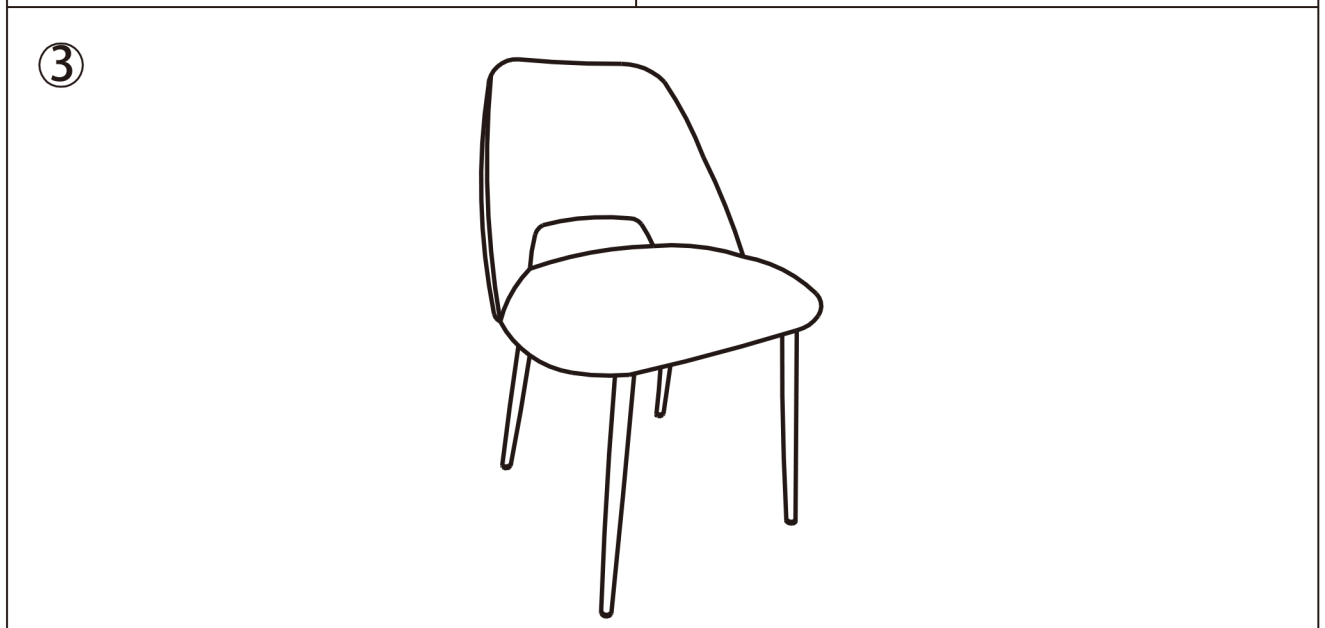
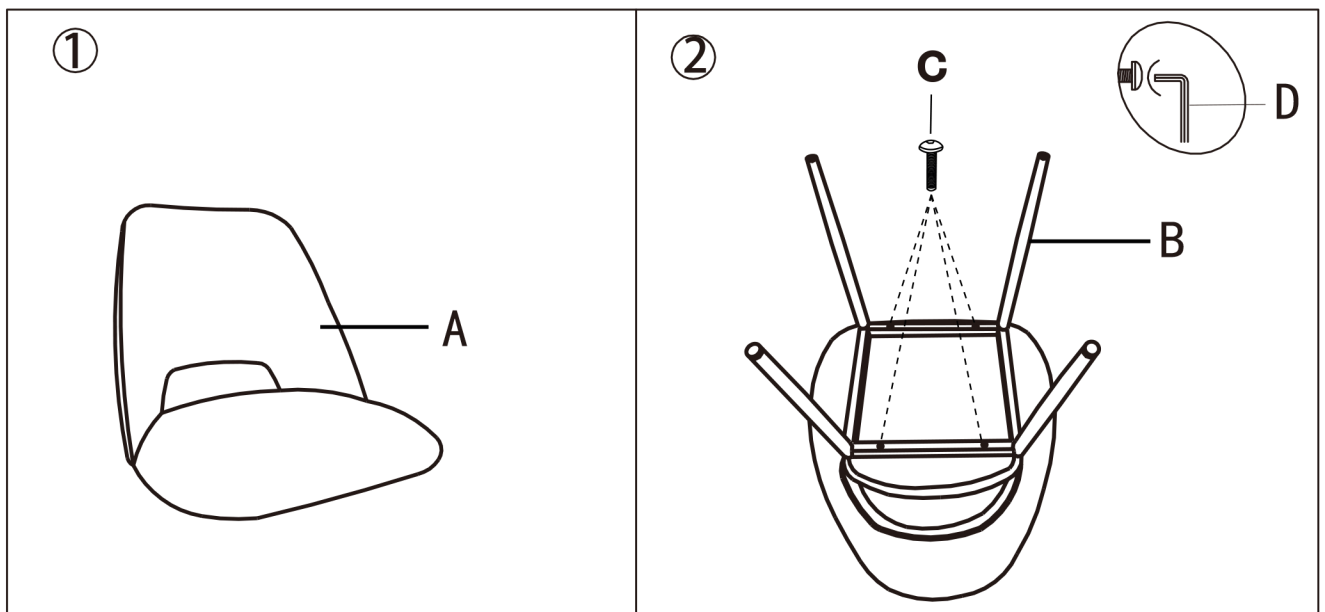
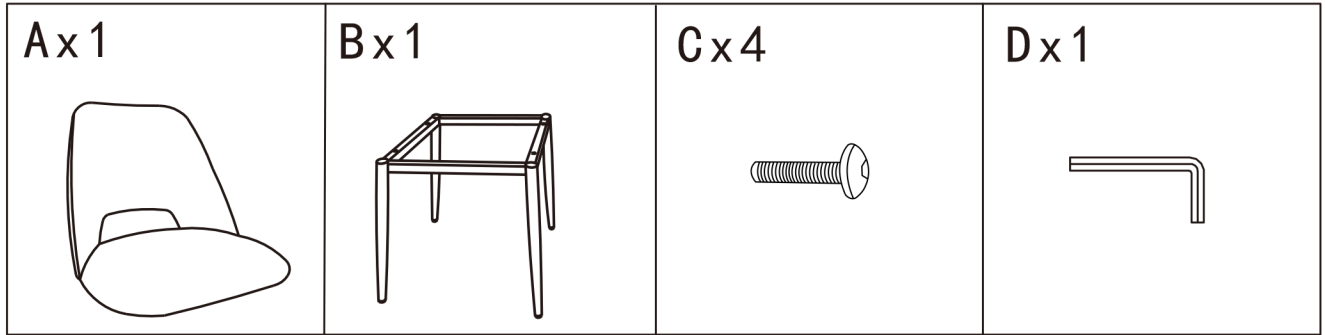


ASSEMBLY INSTRUCTION



Step I. Turn the seat upside down and put the base on it.

Align the holes in the seat with the holes in the base.

Step II. Use screws to connect the seat and the base, do not fully tighten at this stage.

After all parts in right position, fully tighten up all screws.