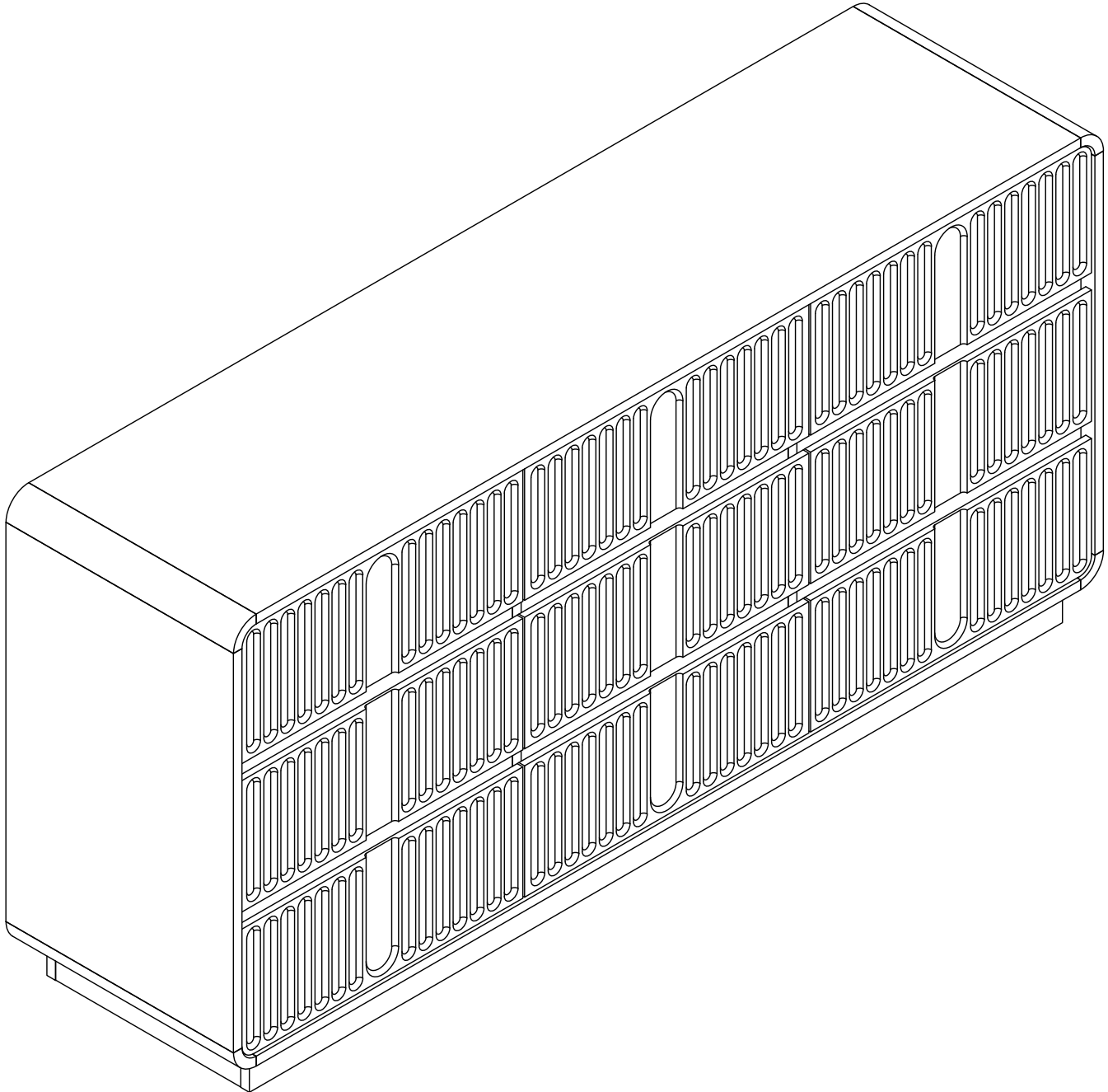


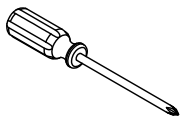
Installation Instruction



Assembling

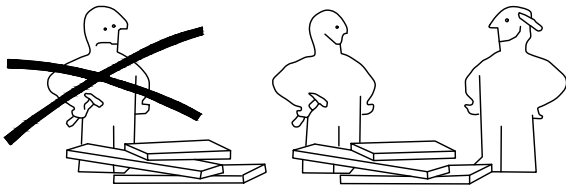
What you need

- Use the packaging carton as a working surface to prevent product damage during assembly
- Phillips head screwdriver



Weight Limitation


100 | **35**
 lbs table top lbs per

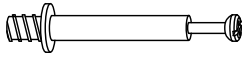


What' included

Code	Description	Qty
A	Cam Bolt M6X35MM	106
B	Cam Lock 15X10MM	106
C	Wooden Dowel M8X30MM	48
D	Screw M4X40MM	48
E	The screw M3X14MM	84
F	Hole position sticker	70
G	The back button	12
H	Wooden Dowel M8X50MM	4
I	Screw M3.5X14MM	2
J	Anchor	2
K	Nylon Strap	2
L	Foot nail	11
CL	Left mother extended orbit	9
CR	Right mother extended orbit	9
DL	Left public extension track	9
DR	Right public extends track	9

The Hardwares

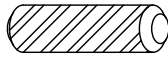
A



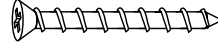
B



C



D



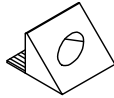
E



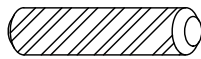
F



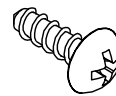
G



H



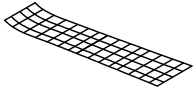
I



J



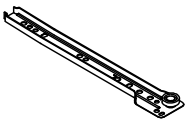
K



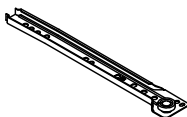
L



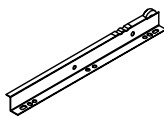
CL



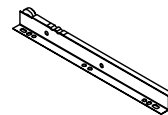
CR



DL



DR



IMPORTANT:

1. Do not tighten bolts / screws completely until all bolts / screws are lined up and inserted into holes.
2. Do not over tighten screws and bolts to avoid stripping
3. Please use hand tools to assemble this product, you can also use power tools (please use power tools carefully)

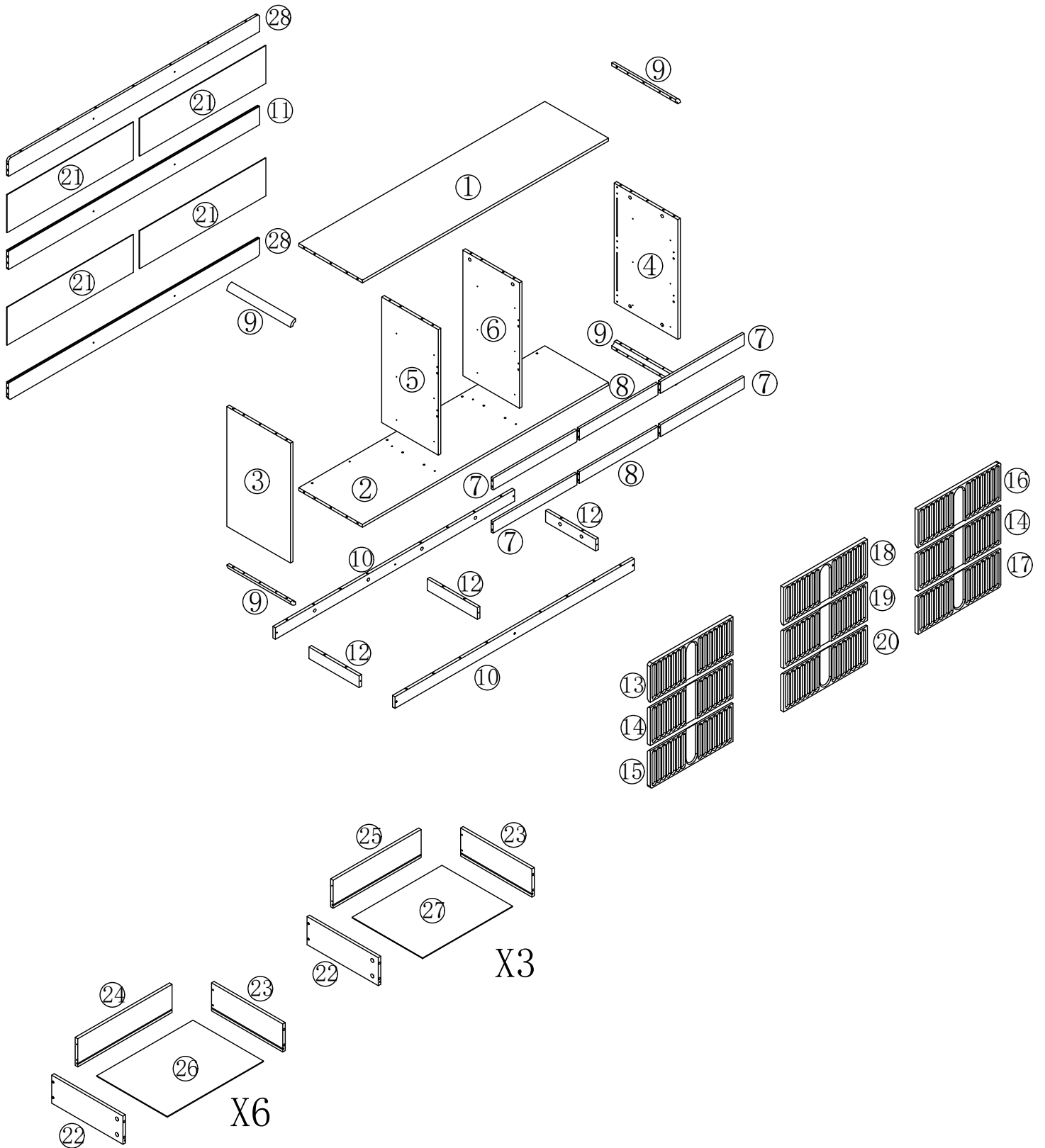
Included Accessories

Code	Description	Qty
1	Cabinet Top	1
2	Bottom Panel	1
3	Left side panel	1
4	Right side panel	1
5	Middle left panel	1
6	Middle right panel	1
7	Front panel	4
8	Front middle panel	2
9	Arc connecting plate	4
10	Long draining water	2
11	Back pull strip	1
12	Short draining water	3
13	Upper left drawer panel	1
14	Middle side drawer panels	2

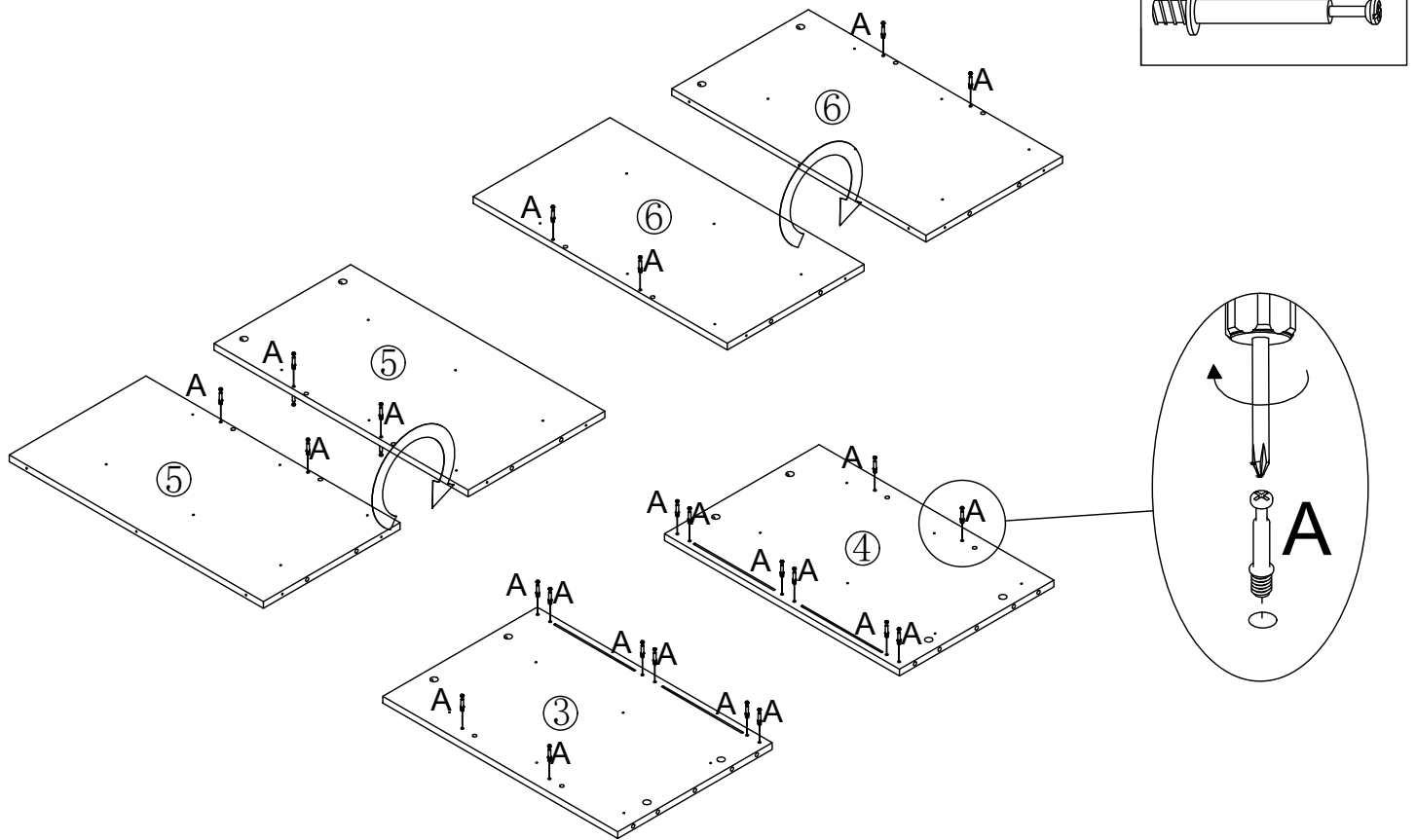
Included Accessories

Code	Description	Qty
15	Lower left drawer panel	1
16	Upper right drawer pane	1
17	Lower right drawer panel	1
18	Upper middle drawer panels	1
19	Middle drawer panel	1
20	Lower middle drawer panels	1
21	Backplate	4
22	Drawer left panel	9
23	Drawer right panel	9
24	After the drawer board	6
25	After the drawer board	3
26	The drawer bottom	6
27	The drawer bottom	3
28	Reinforcement strips	2

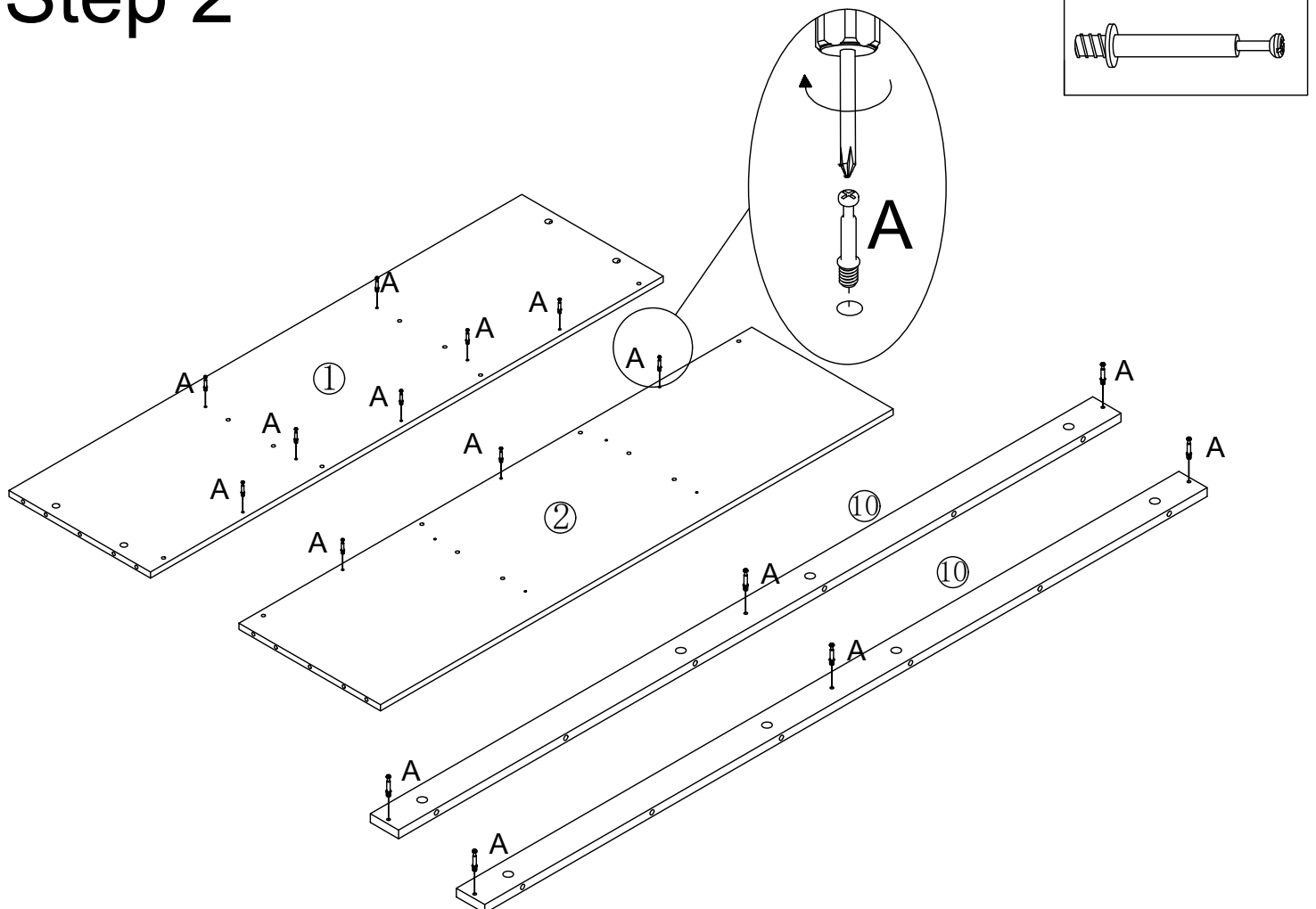
The Accessoriess



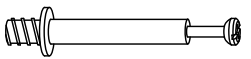
Step 1

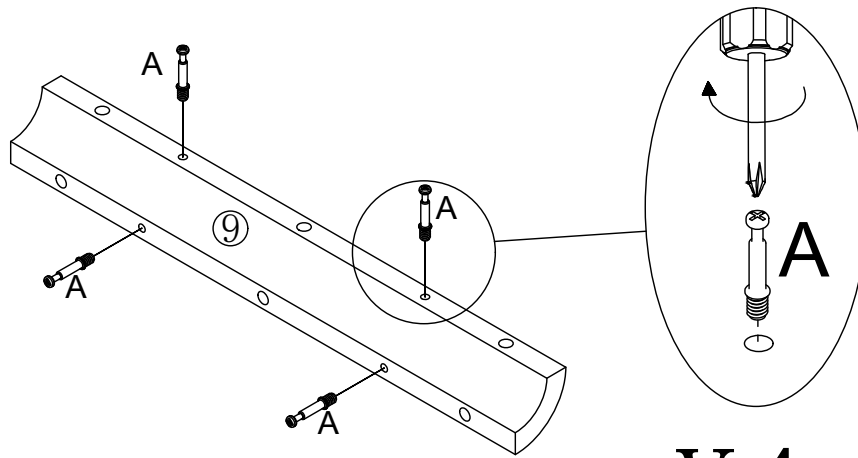


Step 2



Step 3

A	×16
	

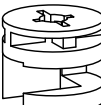
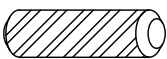



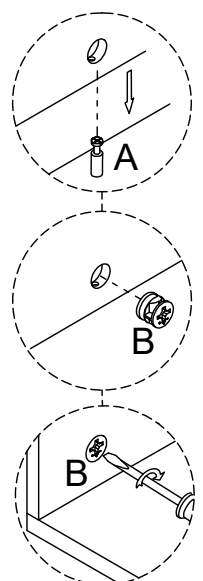
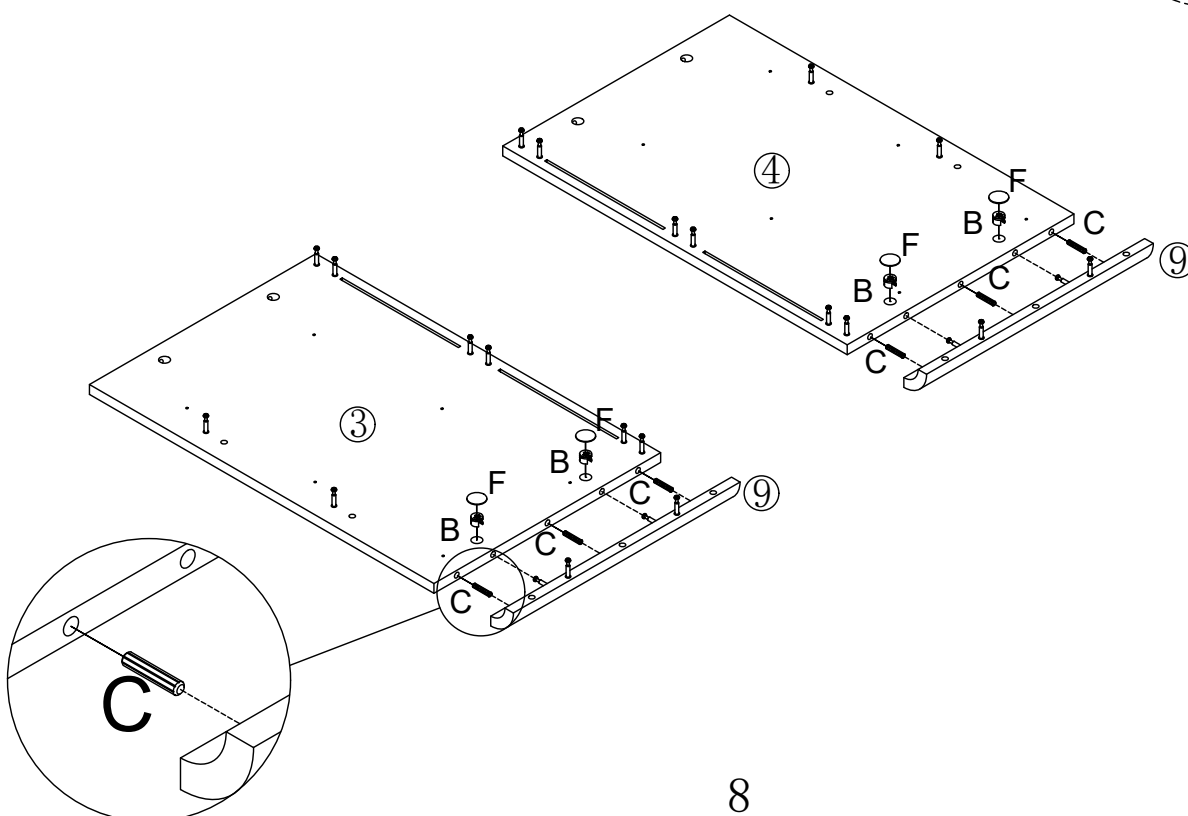
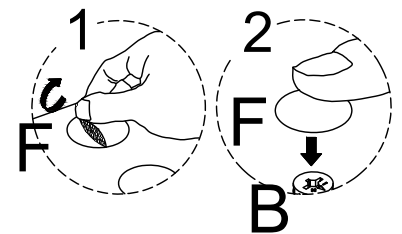
X4




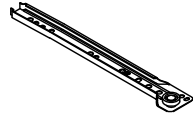
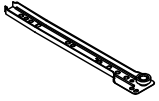
In this step, be careful not to break the No. 9 lock on the lock hardware A

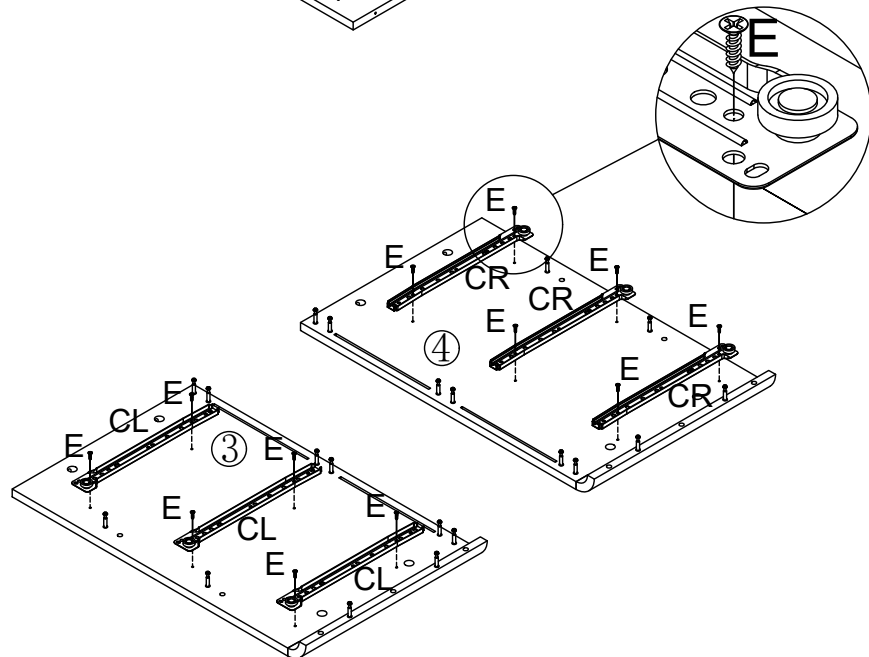
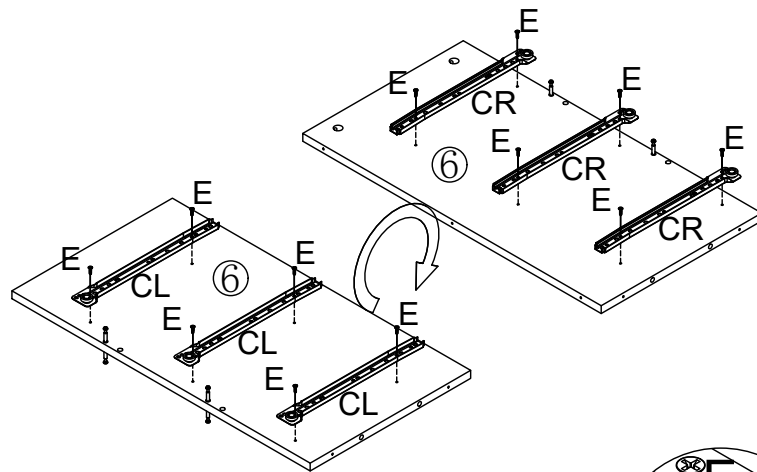
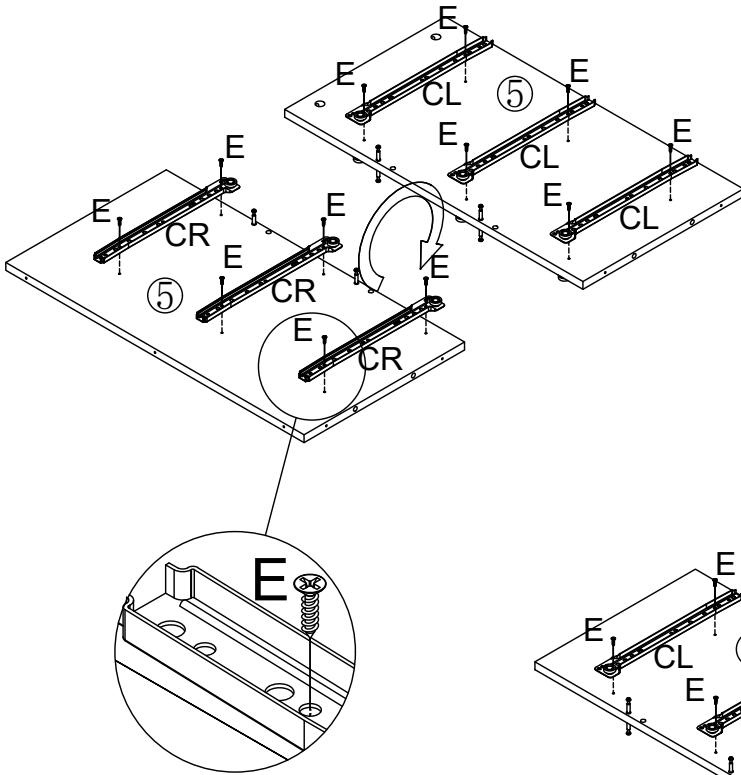
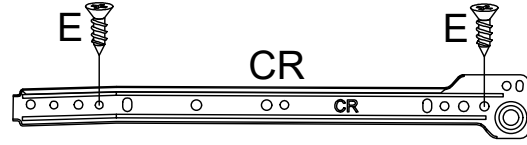
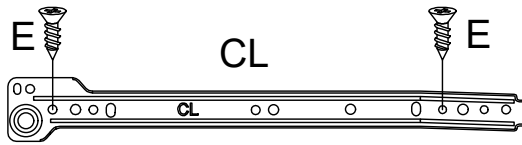
Step 4

B	×4	C	×6	F	×4
					


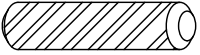


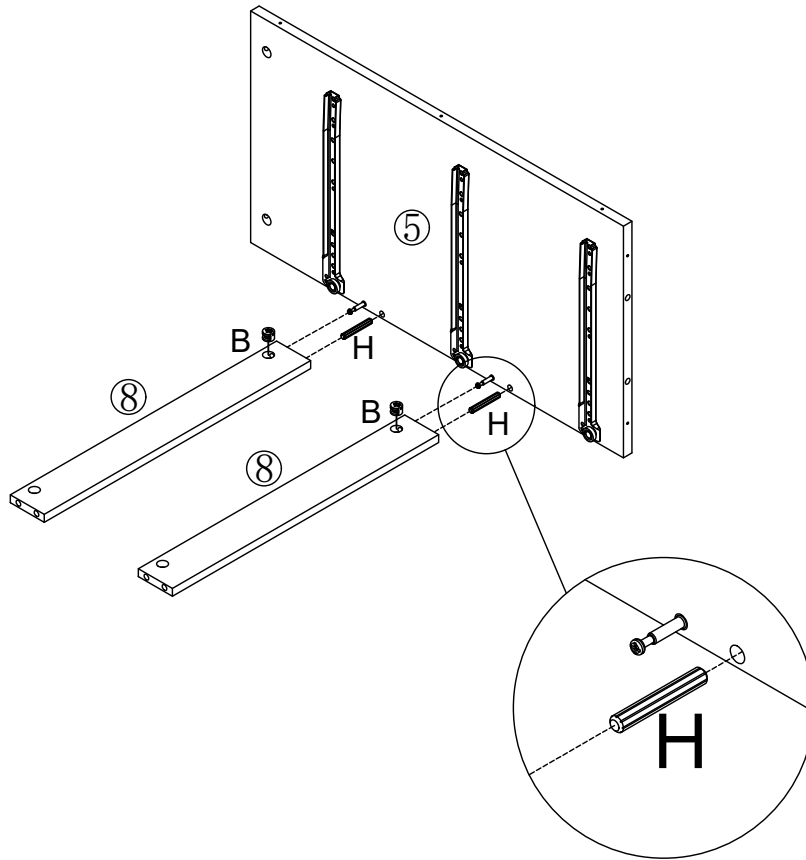
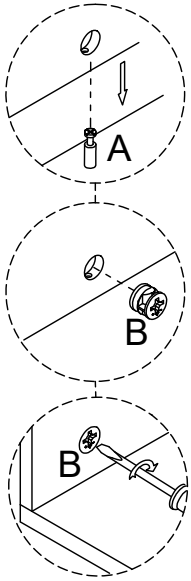
Step 5

E	×36	CR	×9	CL	×9
					





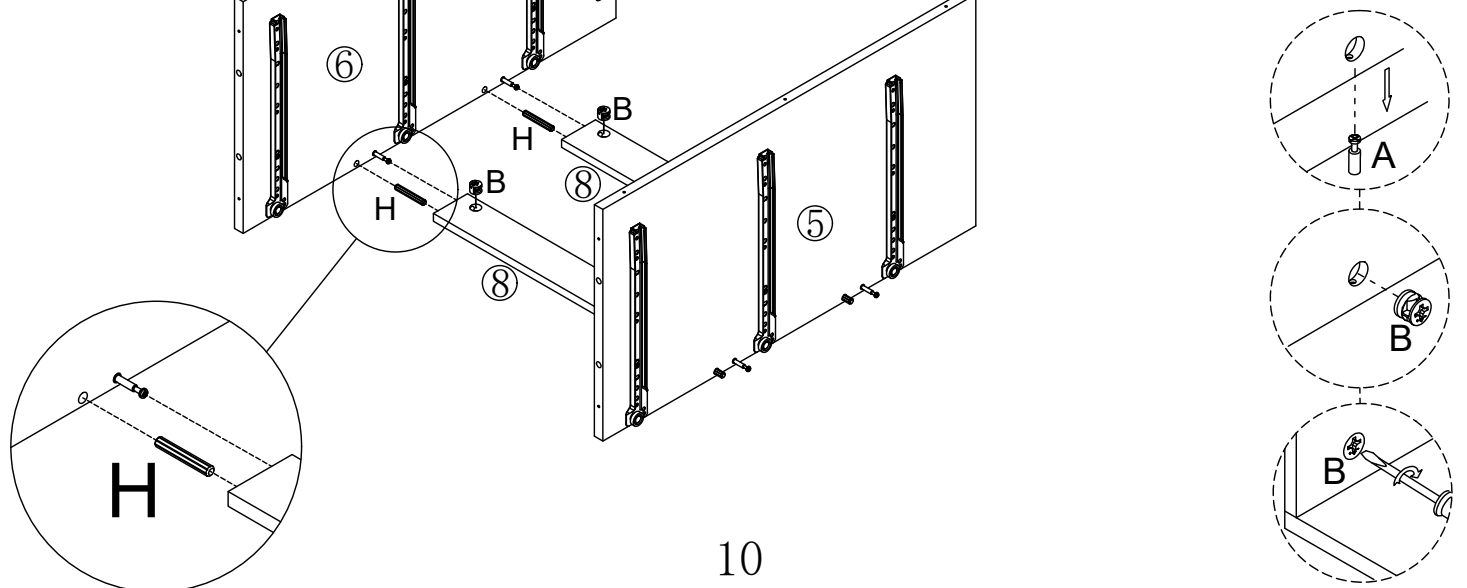
Step 6

B	×2	H	×2
			

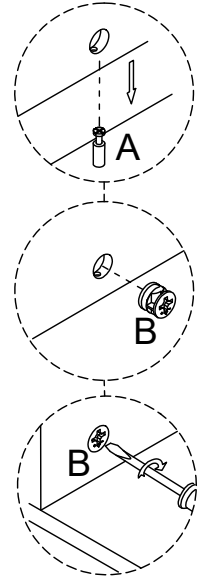
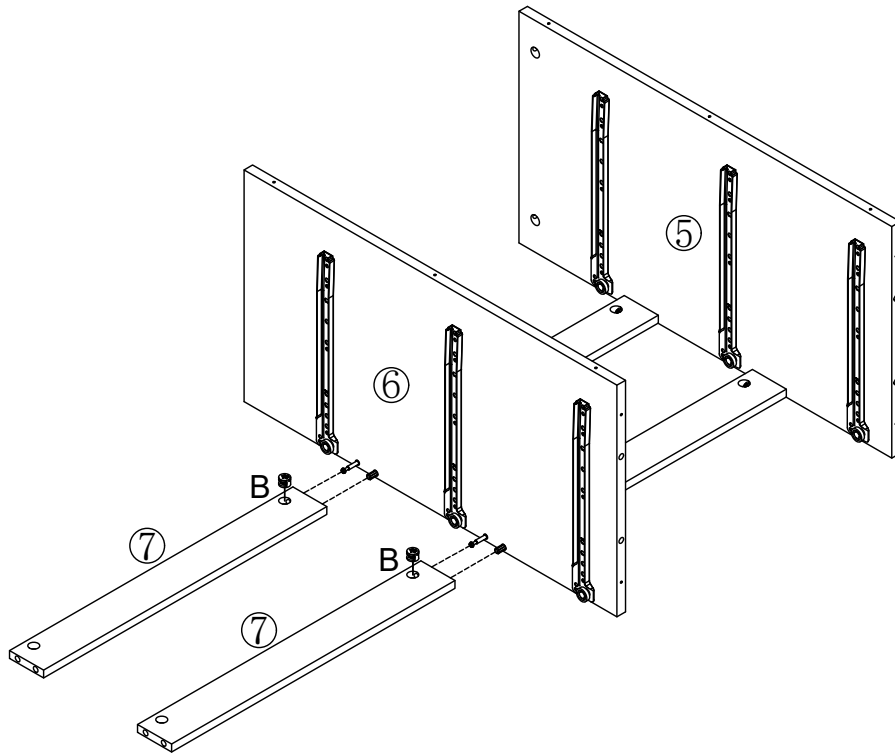
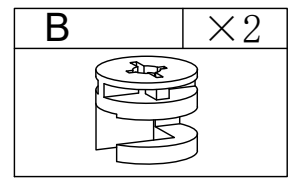


Step 7

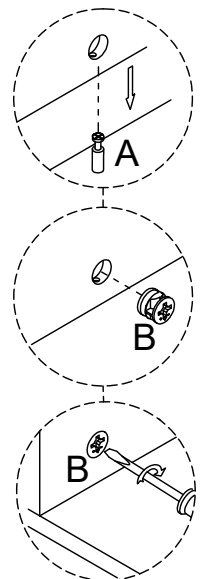
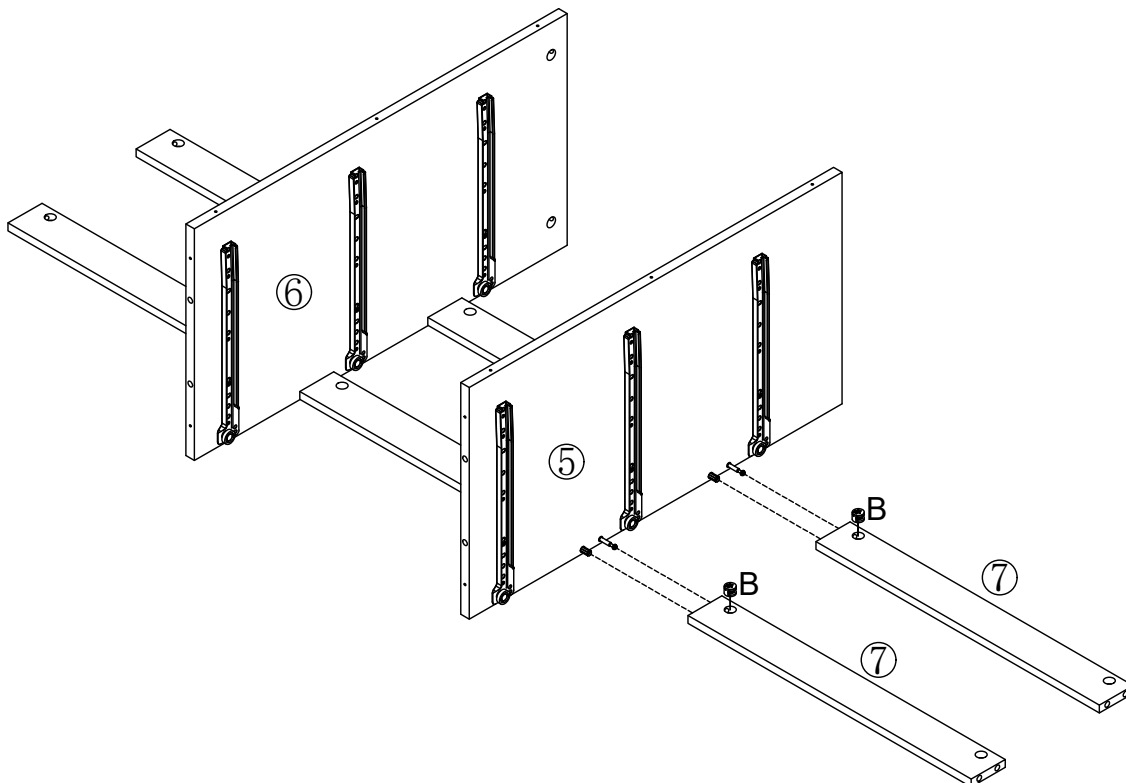
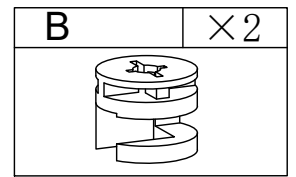
B	×2	H	×2
			



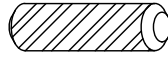
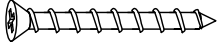
Step 8

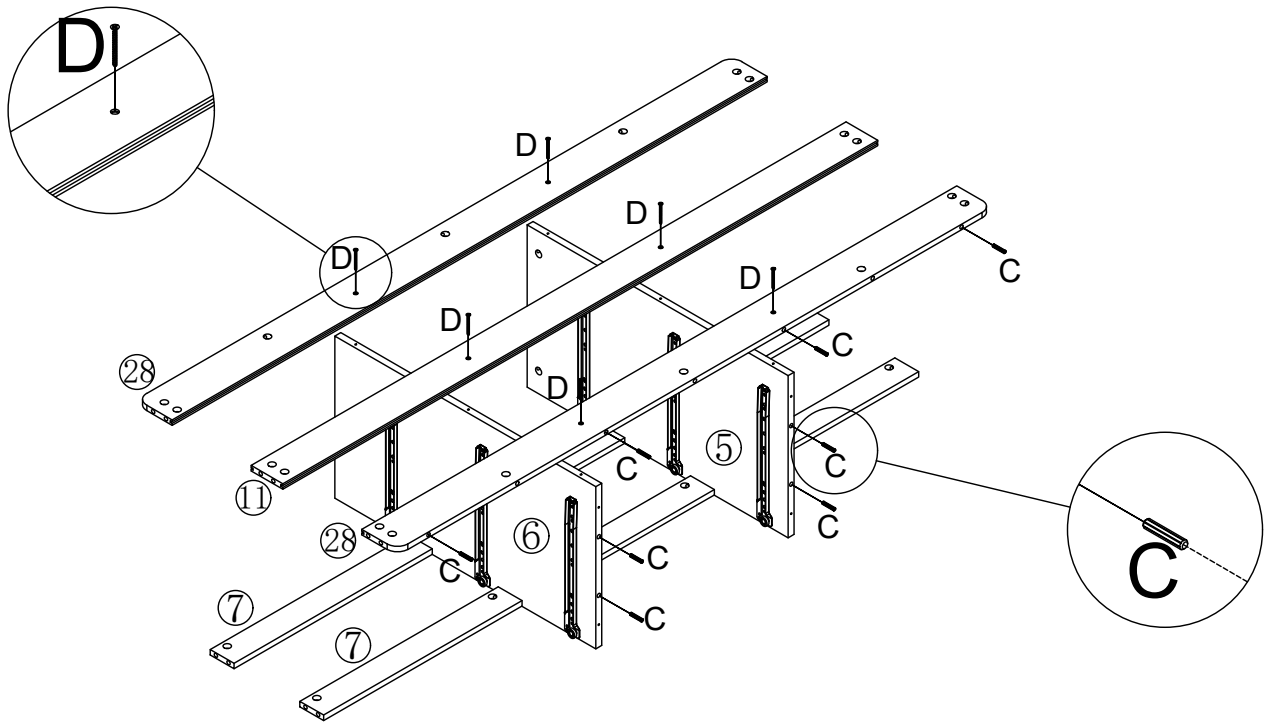


Step 9



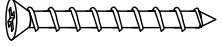


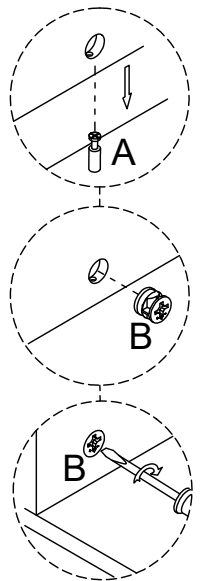
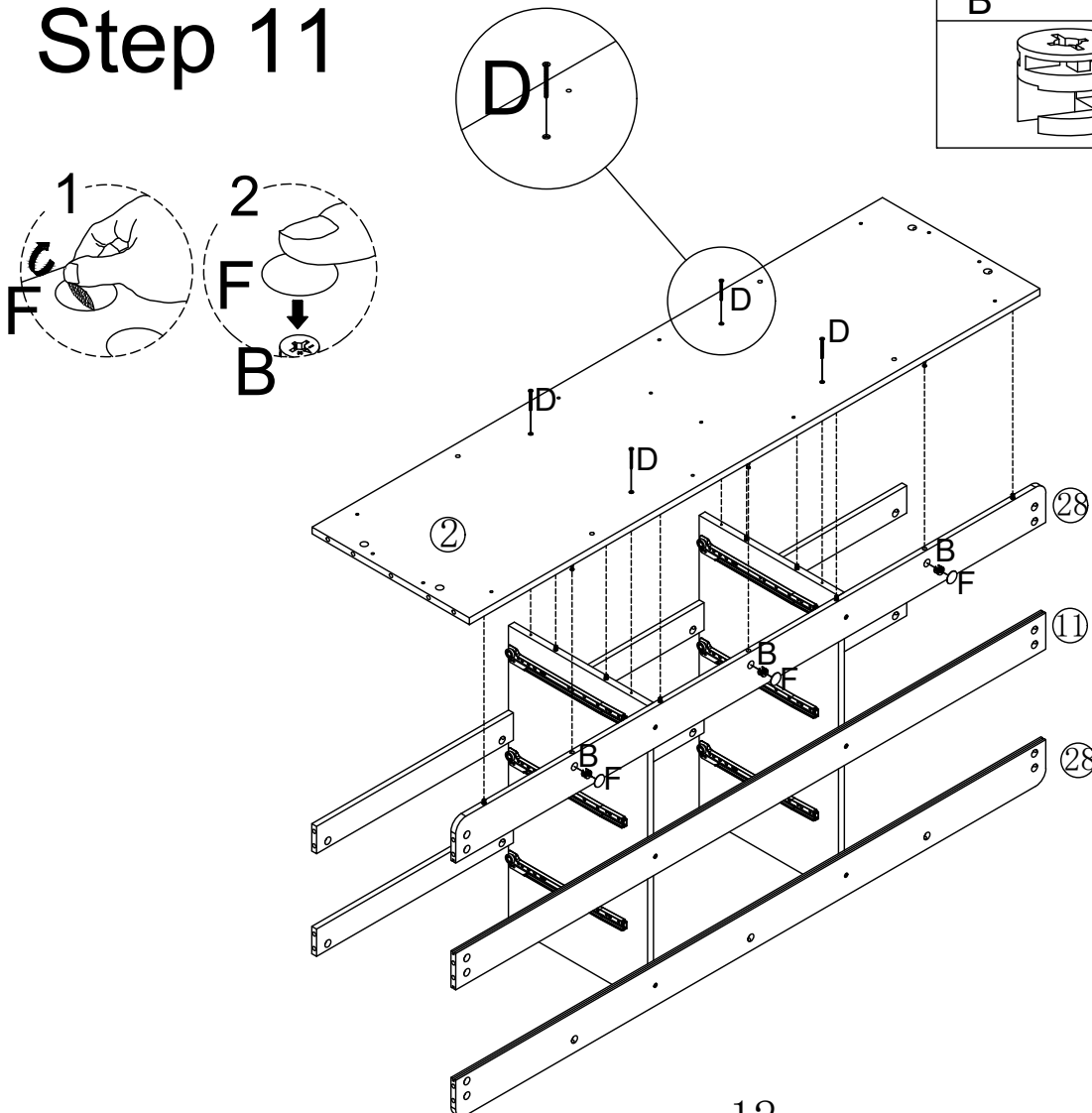
Step 10

C	×8	D	×6
			


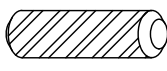



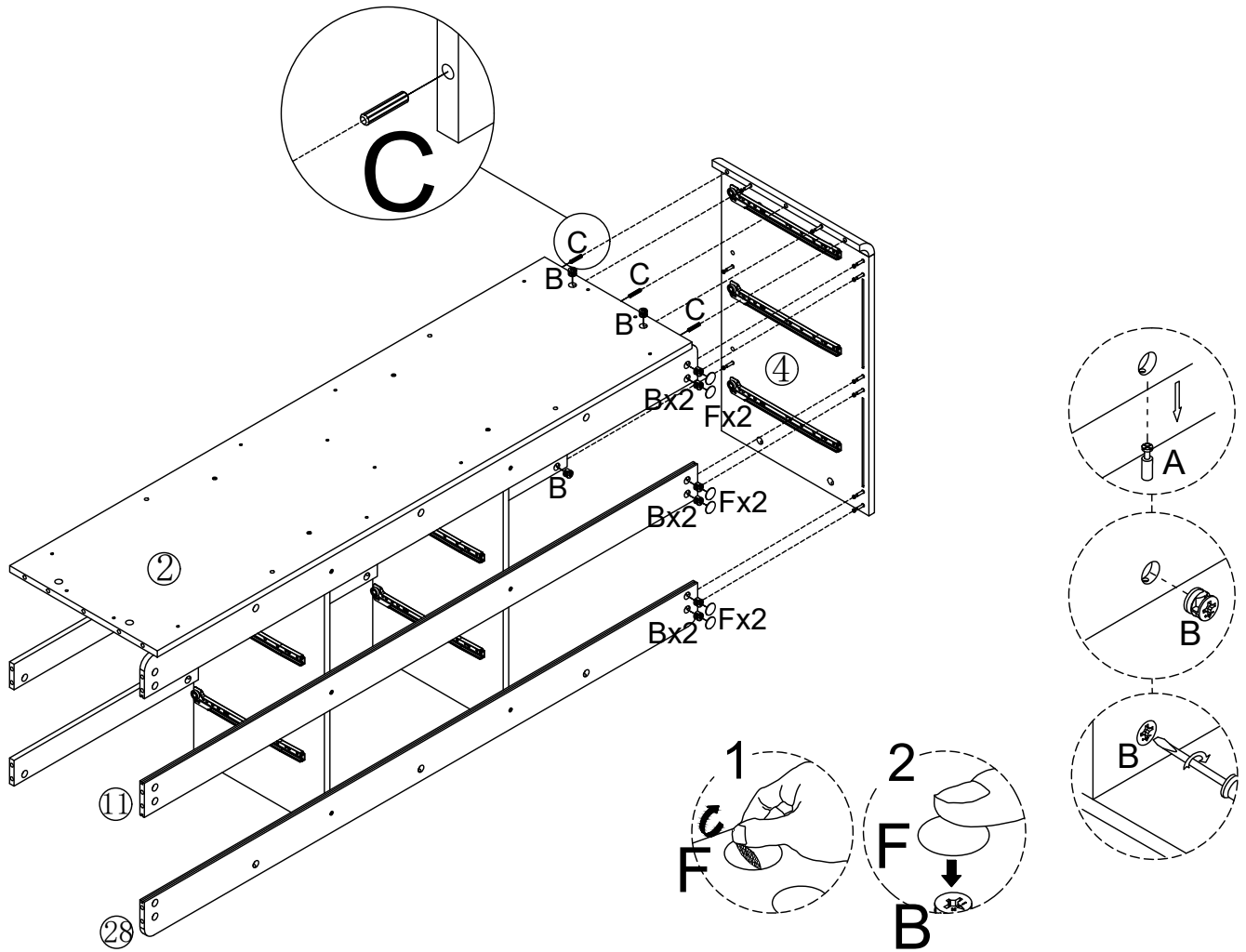
Step 11

B	×3	F	×3
			
D	×4		
			

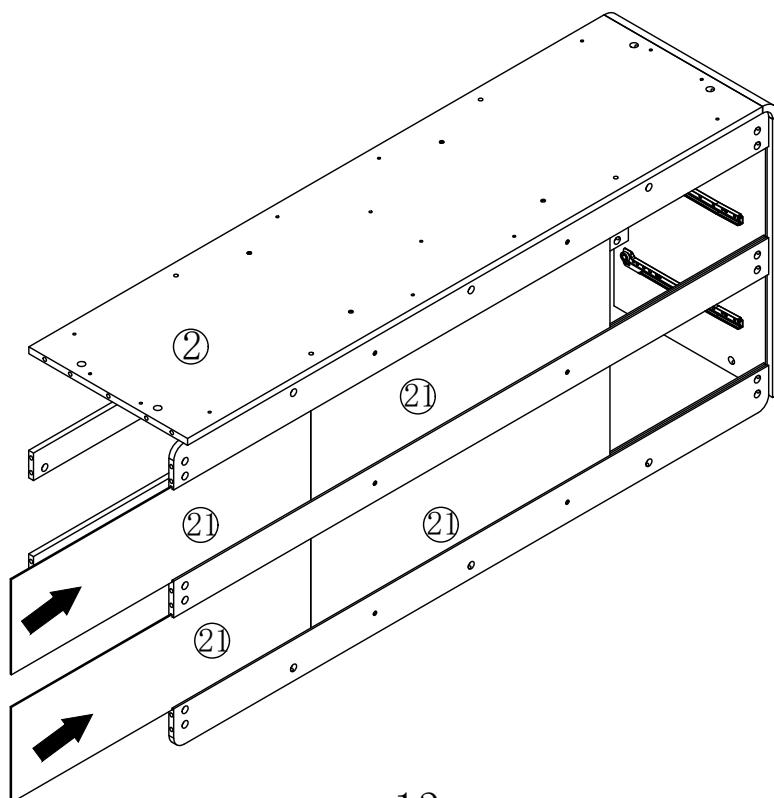


Step 12


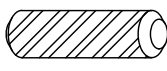

B	×10	C	×5	F	×6
					

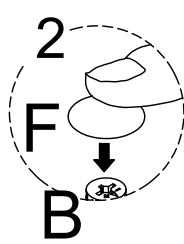
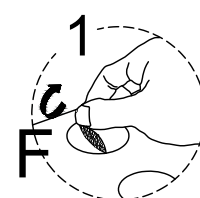
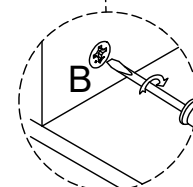
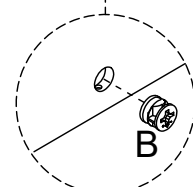
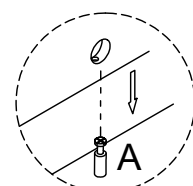
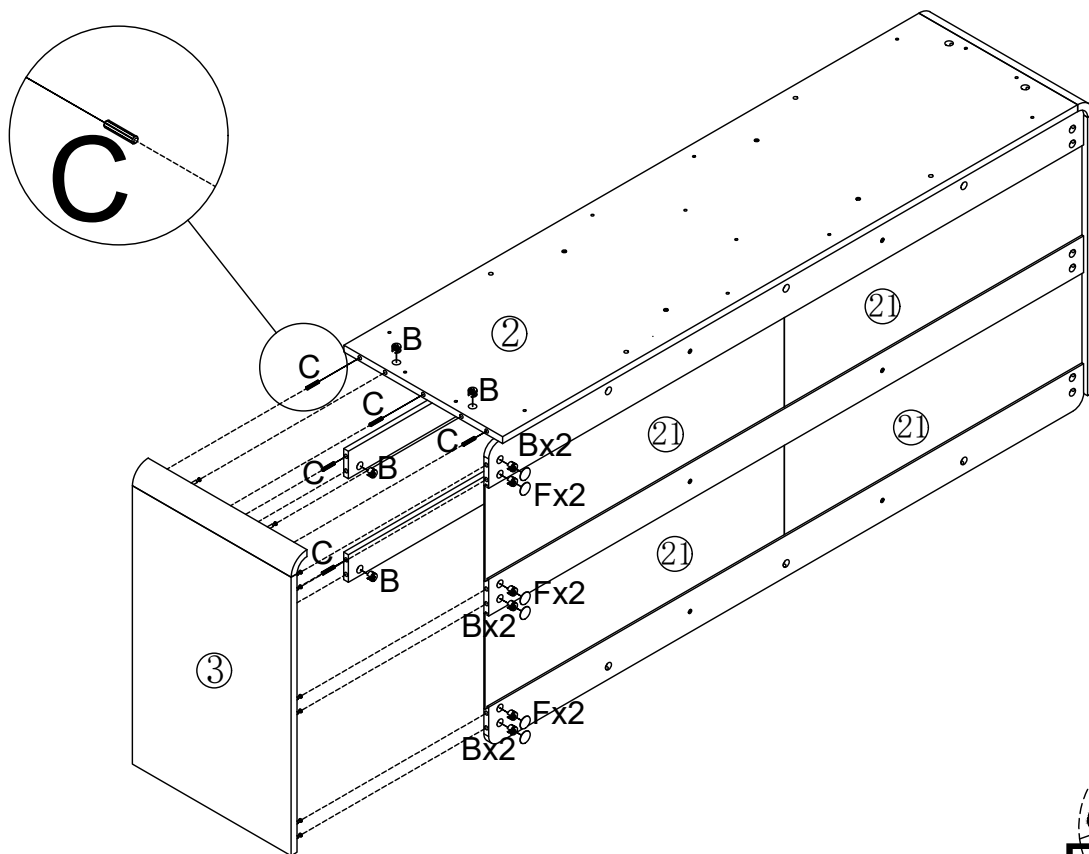


Step 13

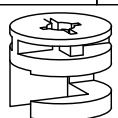


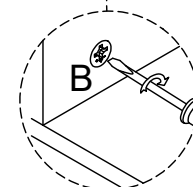
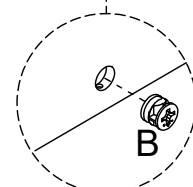
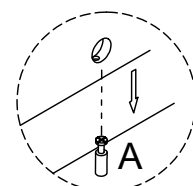
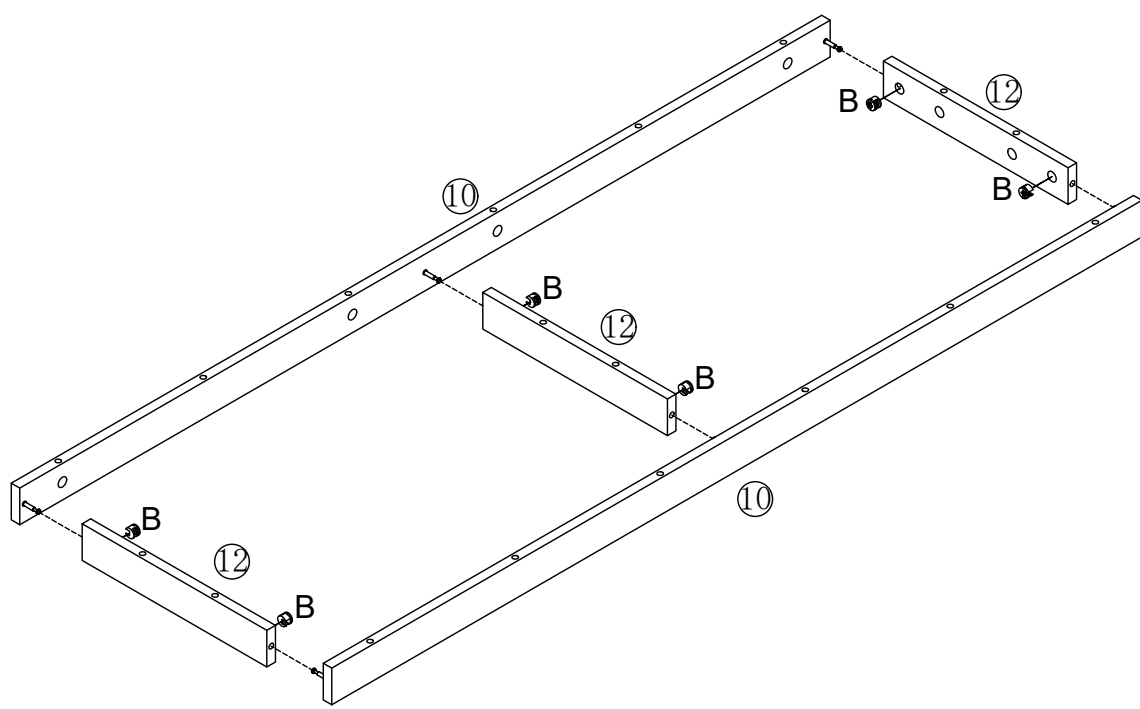
Step 14

B	×10	C	×5	F	×6
					

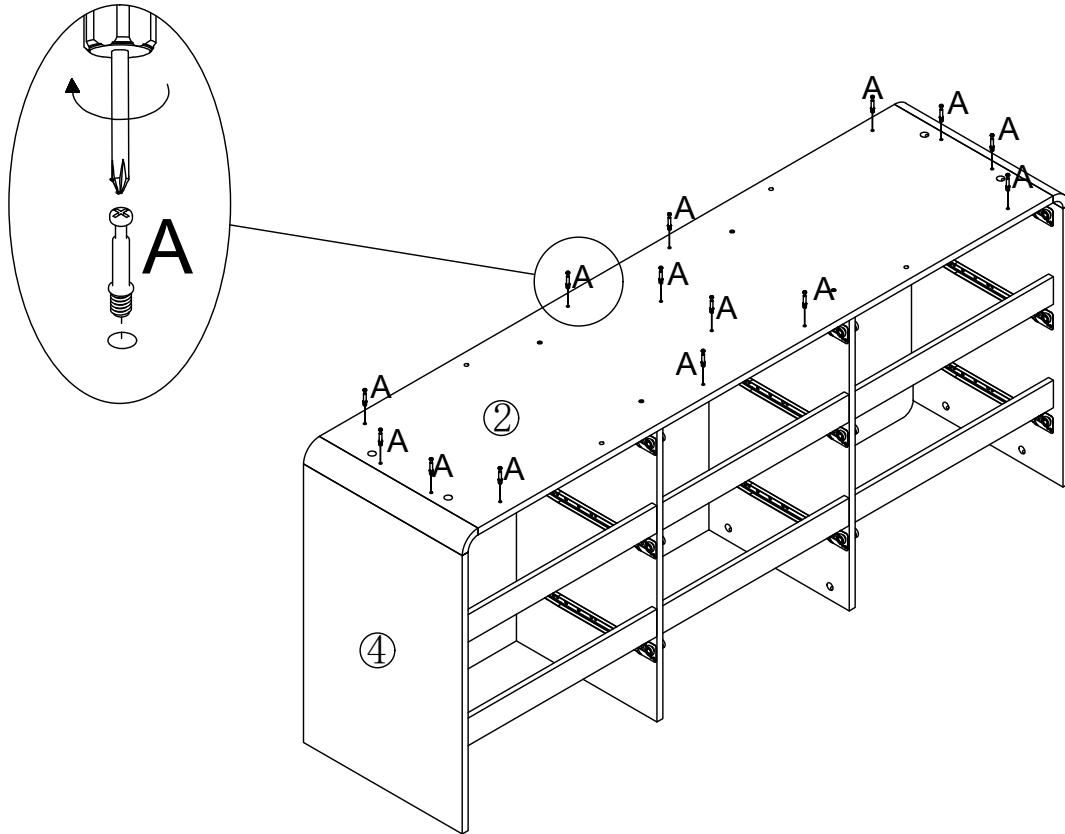
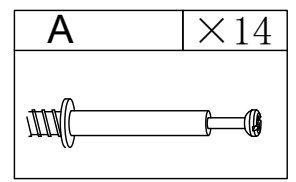


Step 15

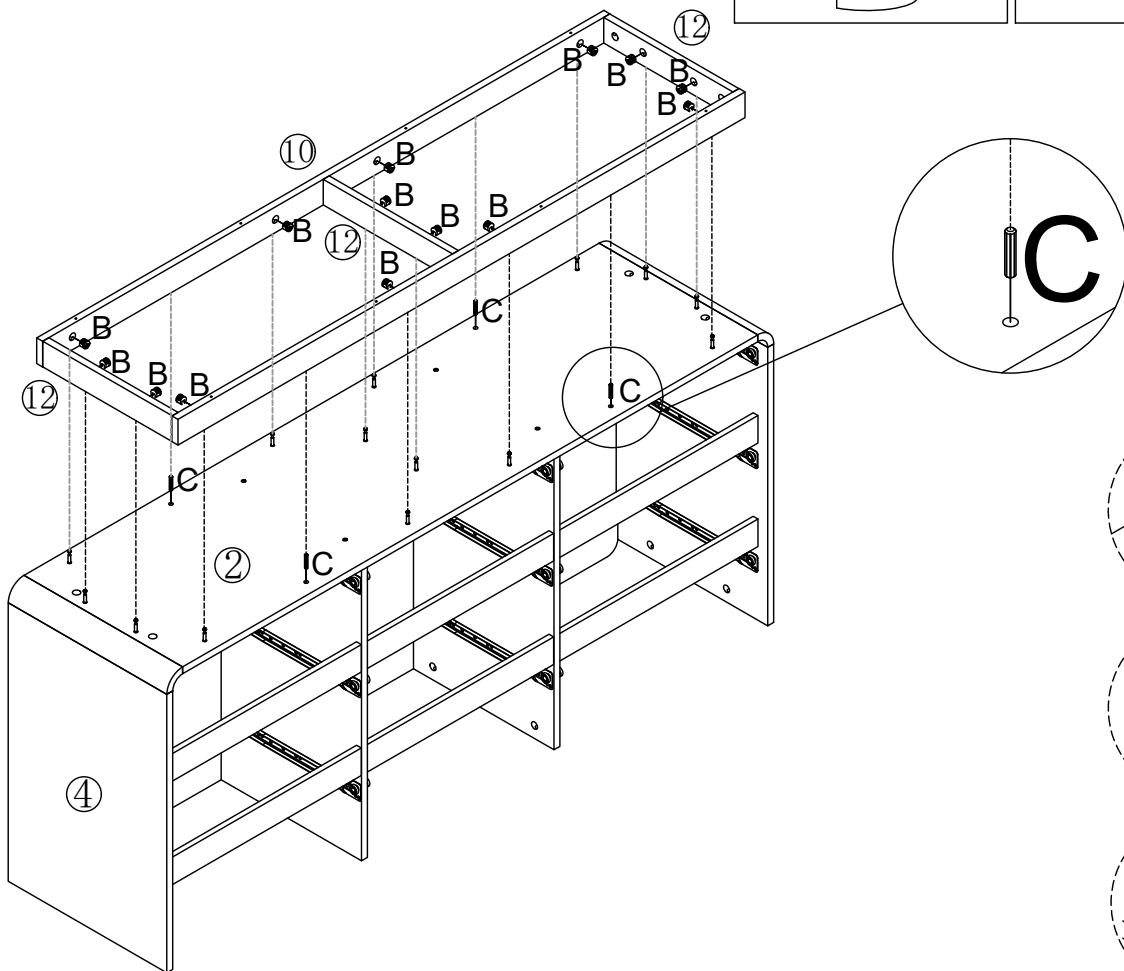
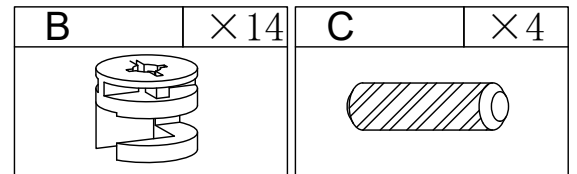
B	×6
	




Step 16

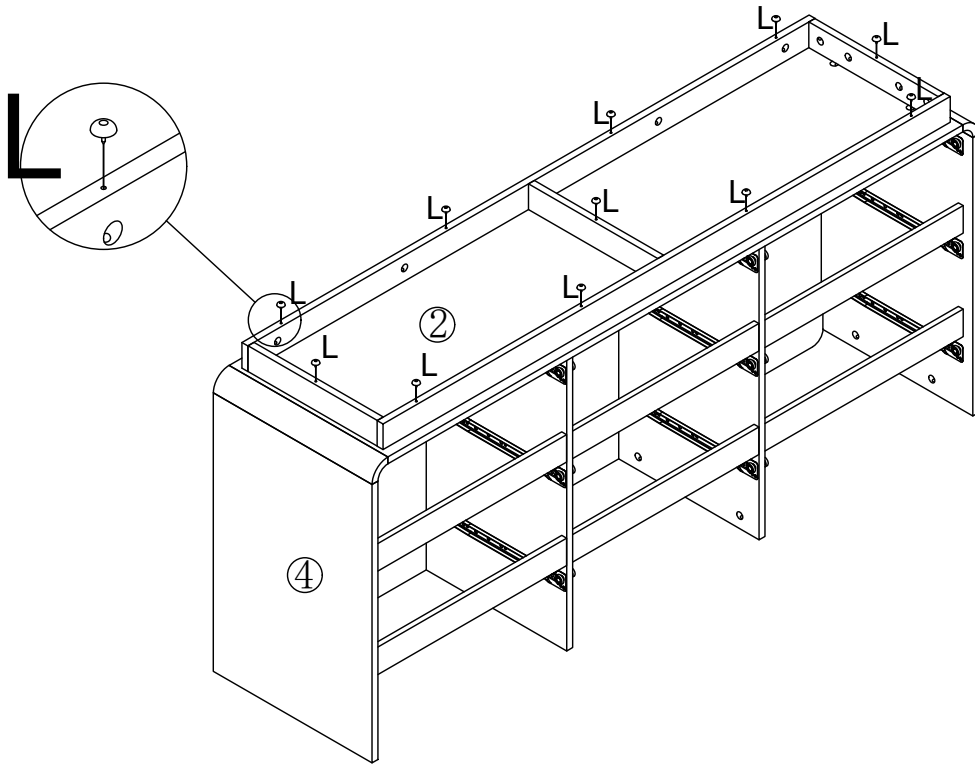


Step 17


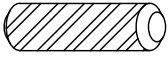



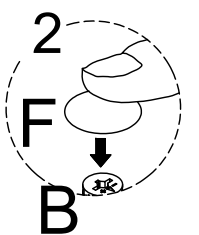
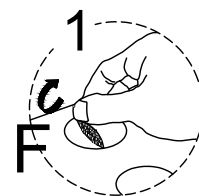
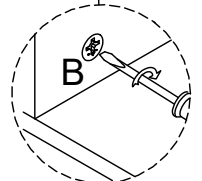
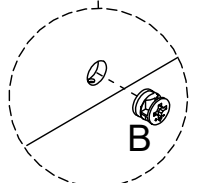
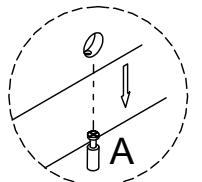
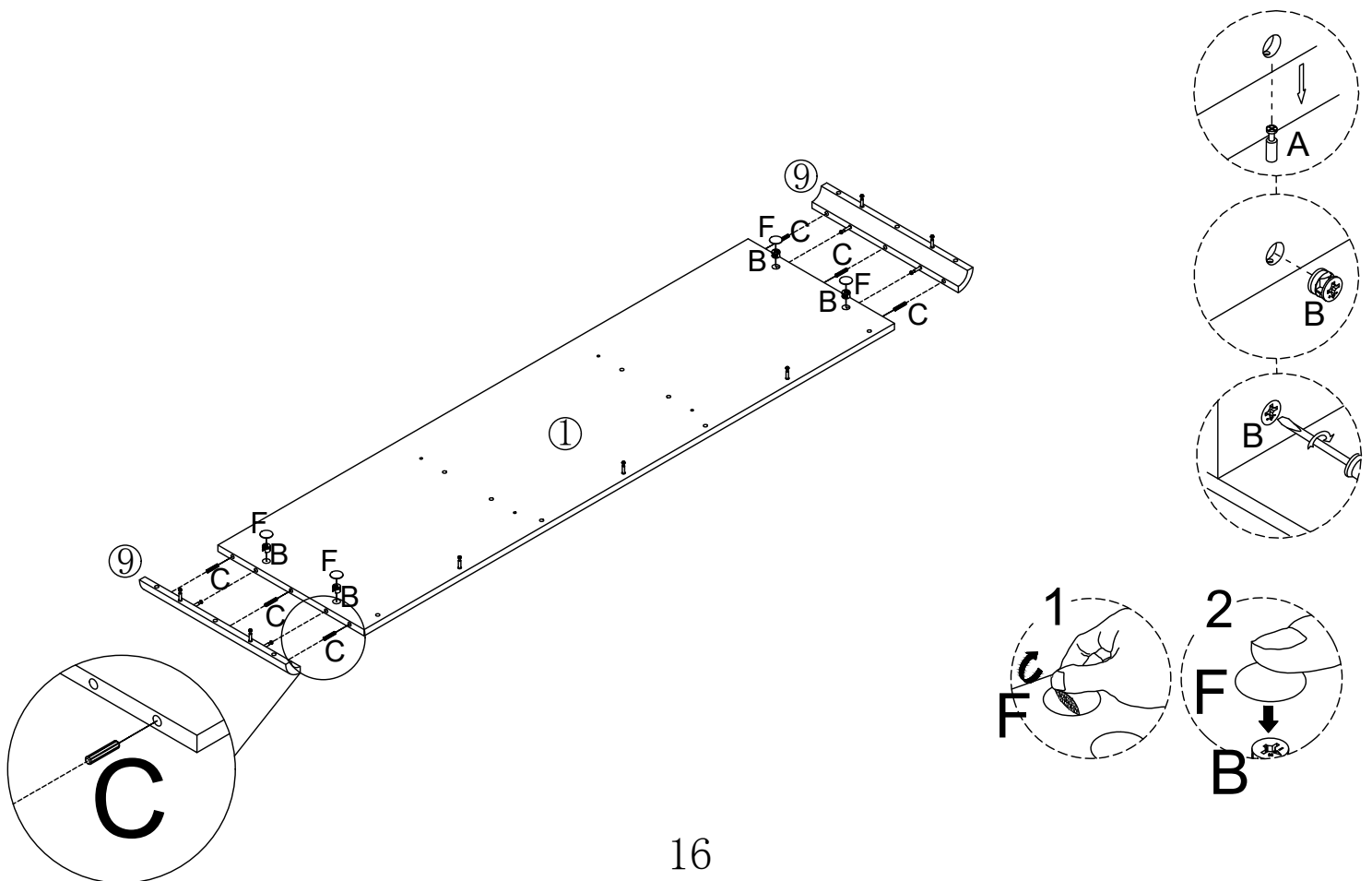
Step 18

L	×11
	


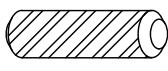



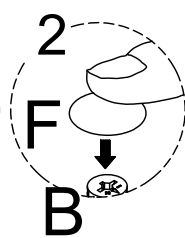
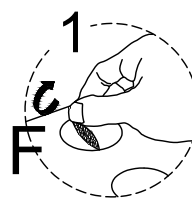
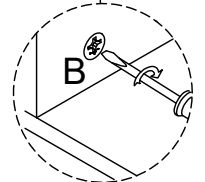
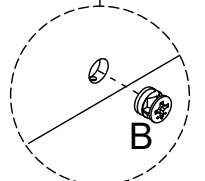
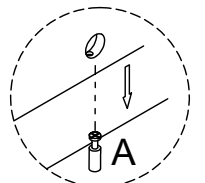
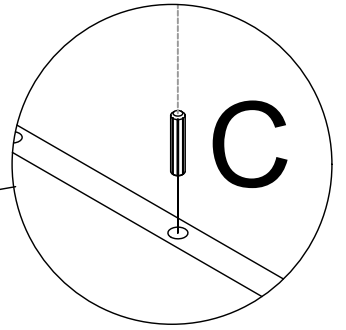
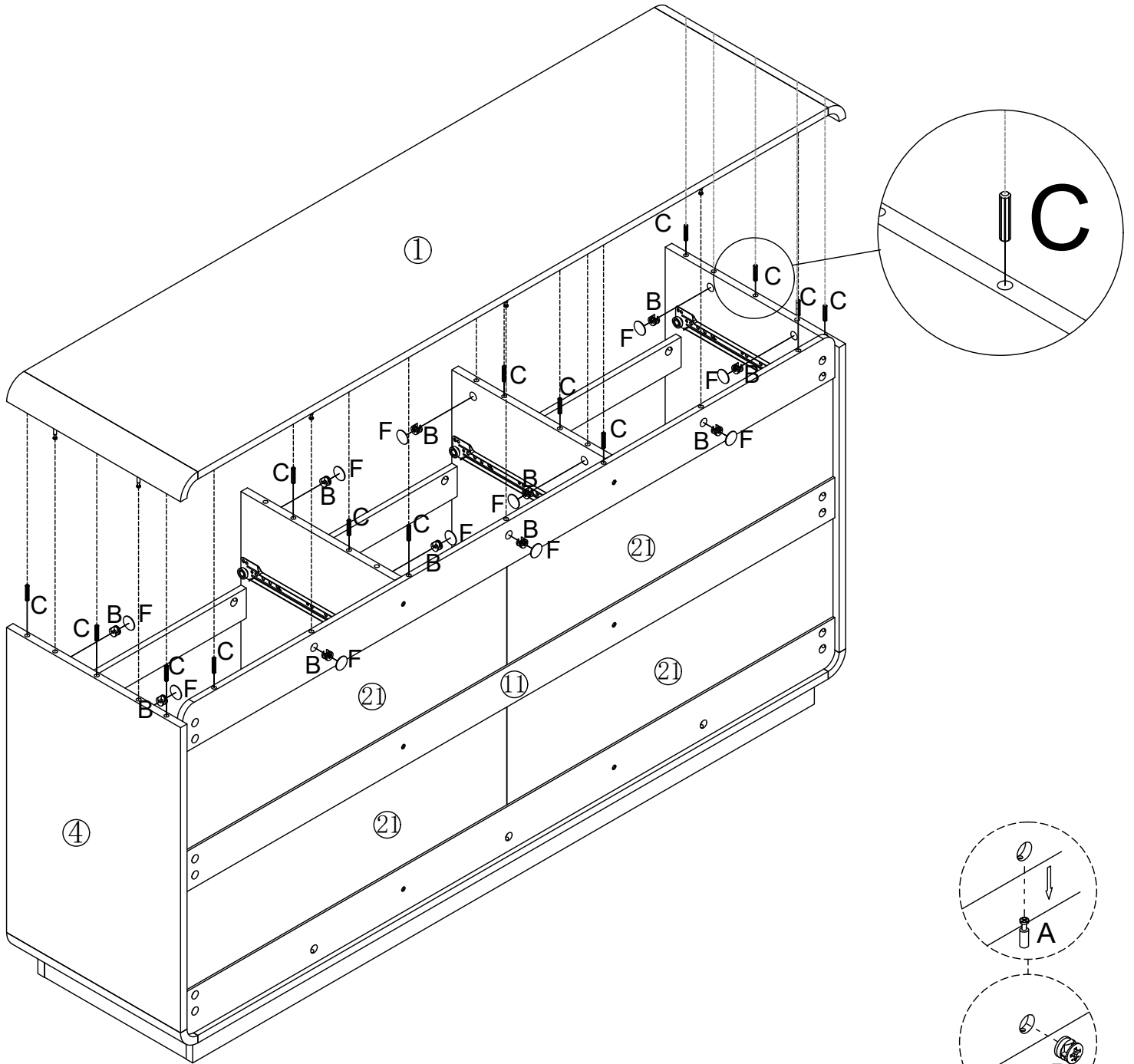
Step 19

B	×4	C	×6	F	×4
					


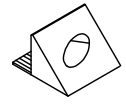
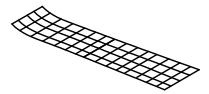
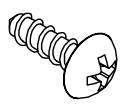


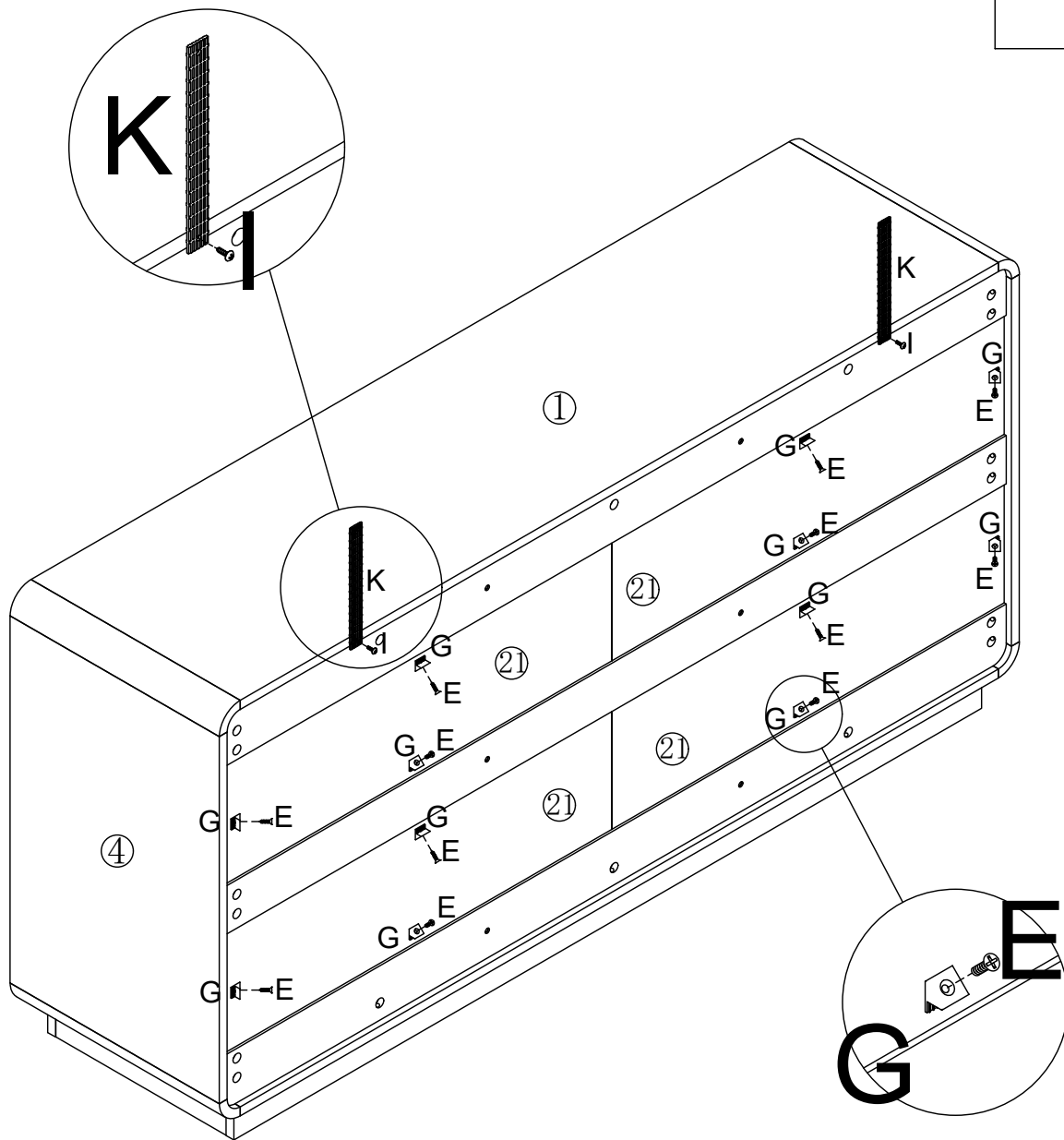
Step 20

B	×11	C	×14	F	×11
					

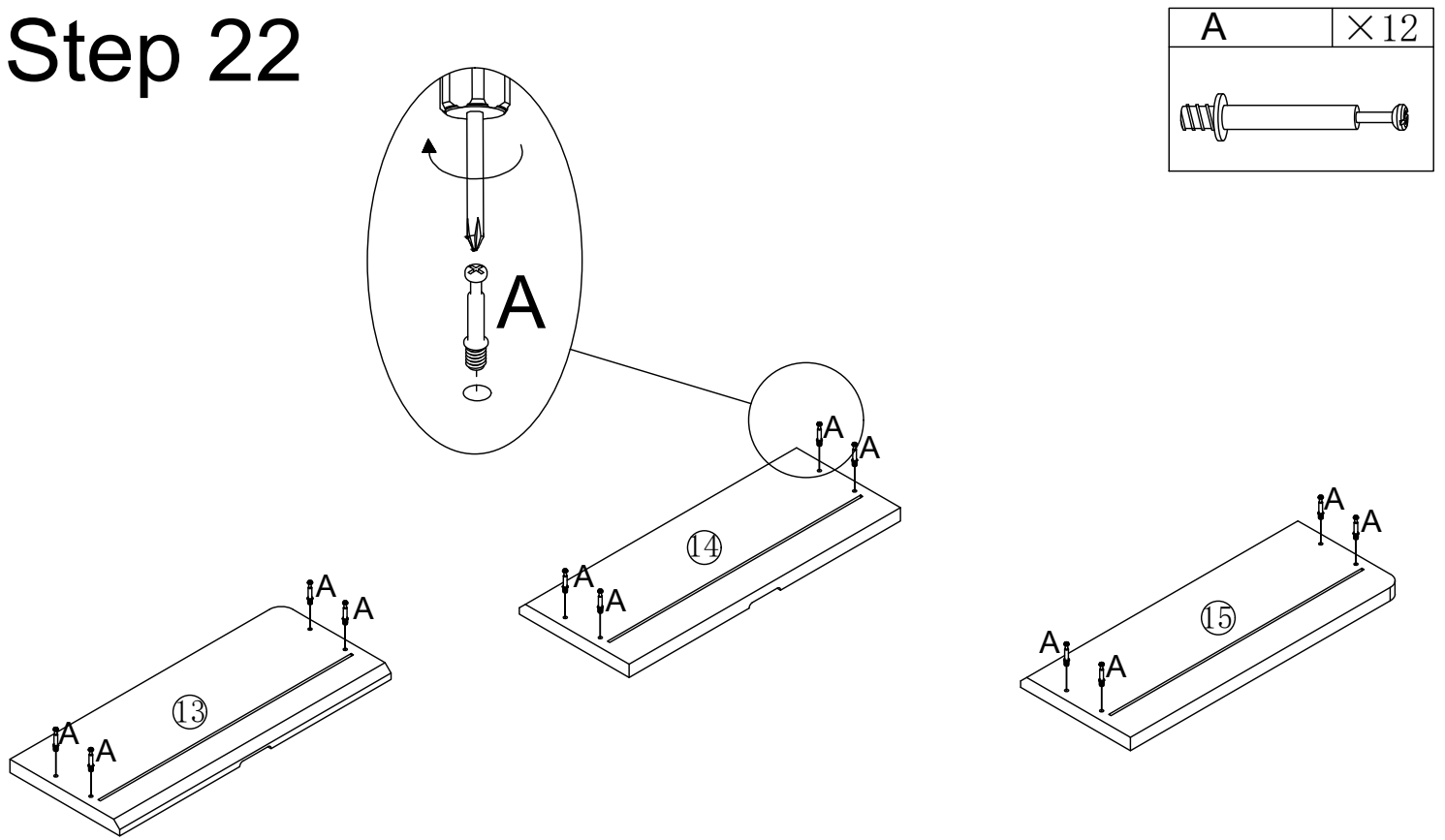


Step 21

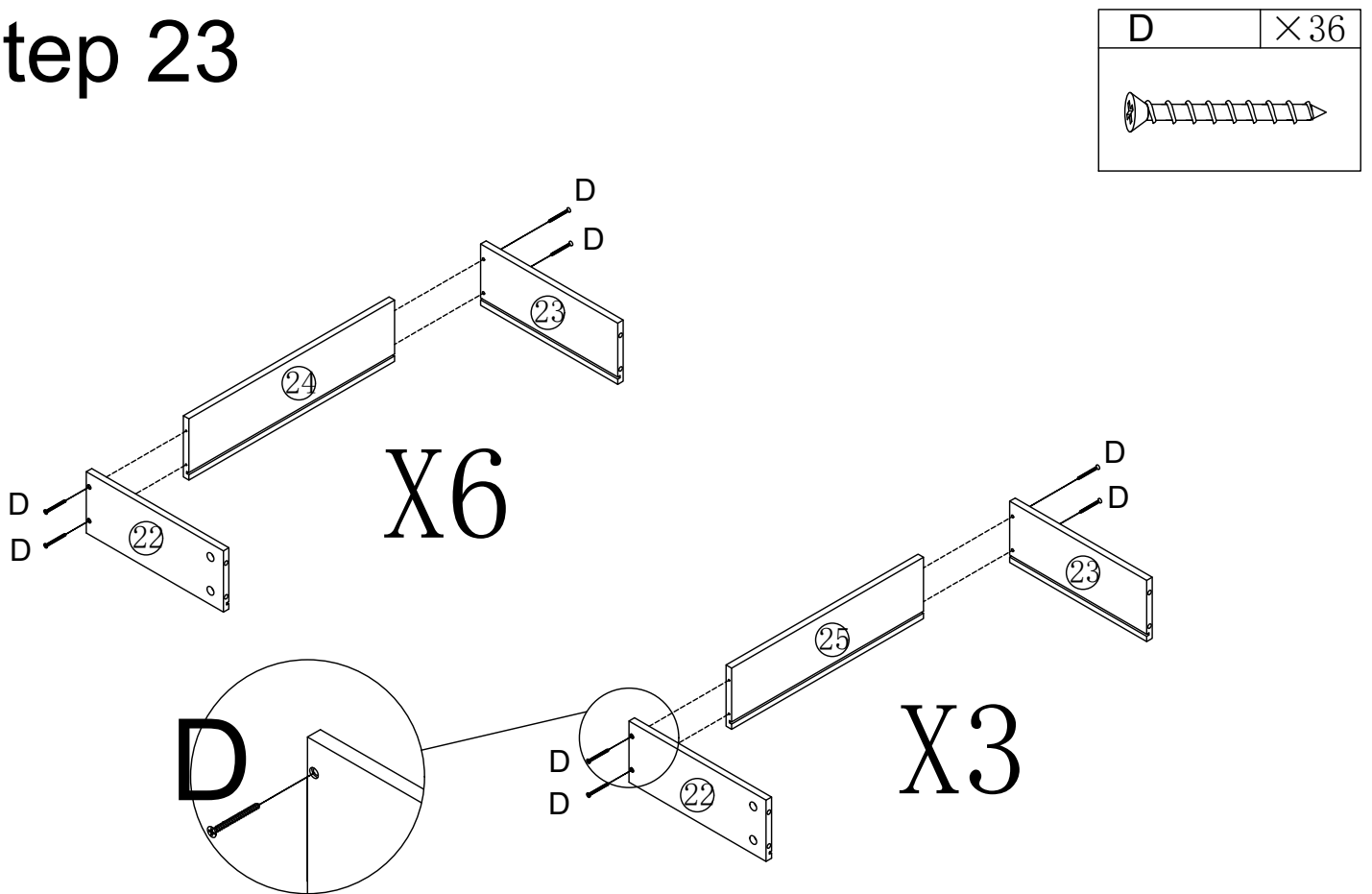
E	×12	G	×12	K	×2
					
				I	×2
					



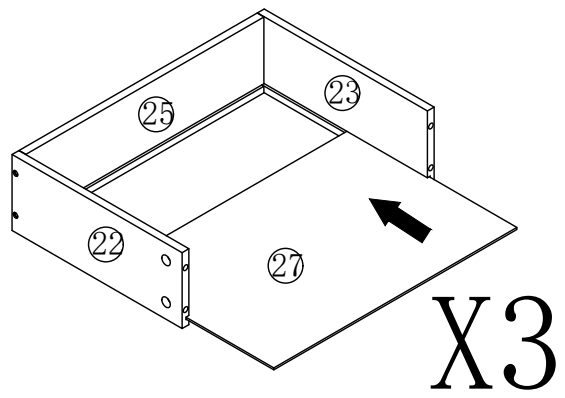
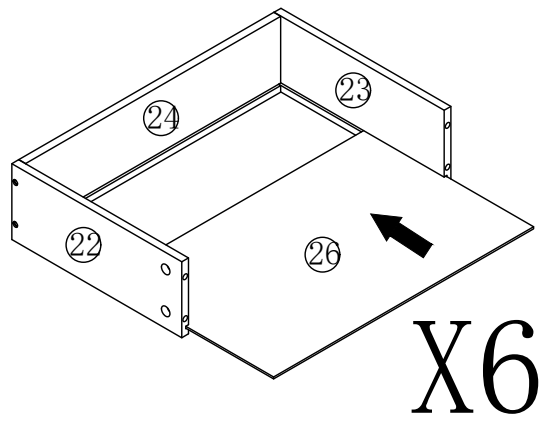
Step 22



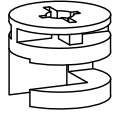

Step 23

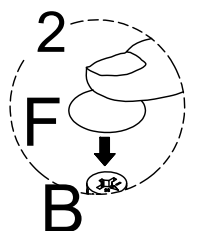
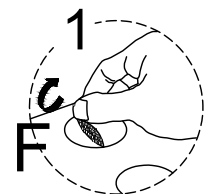
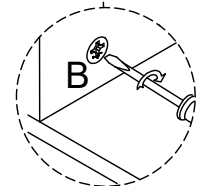
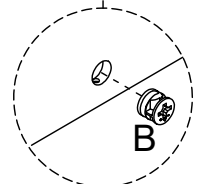
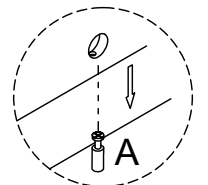
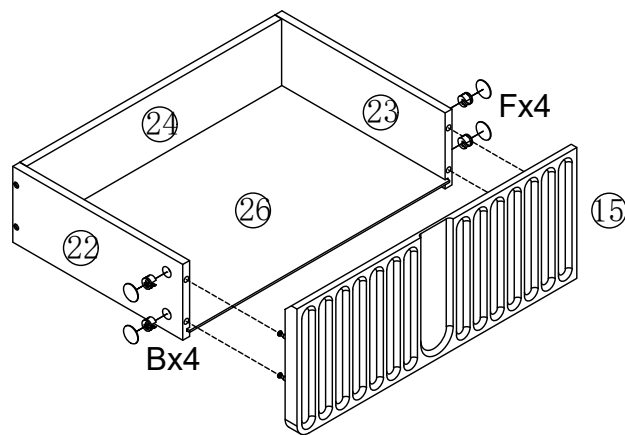
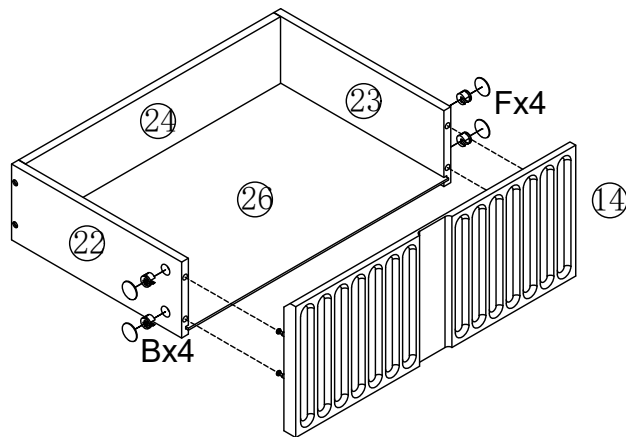
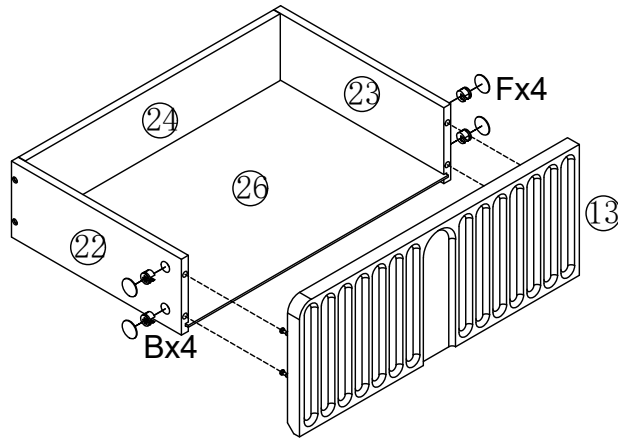


Step 24


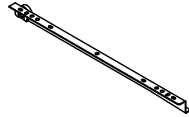
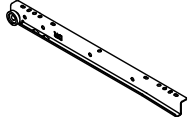


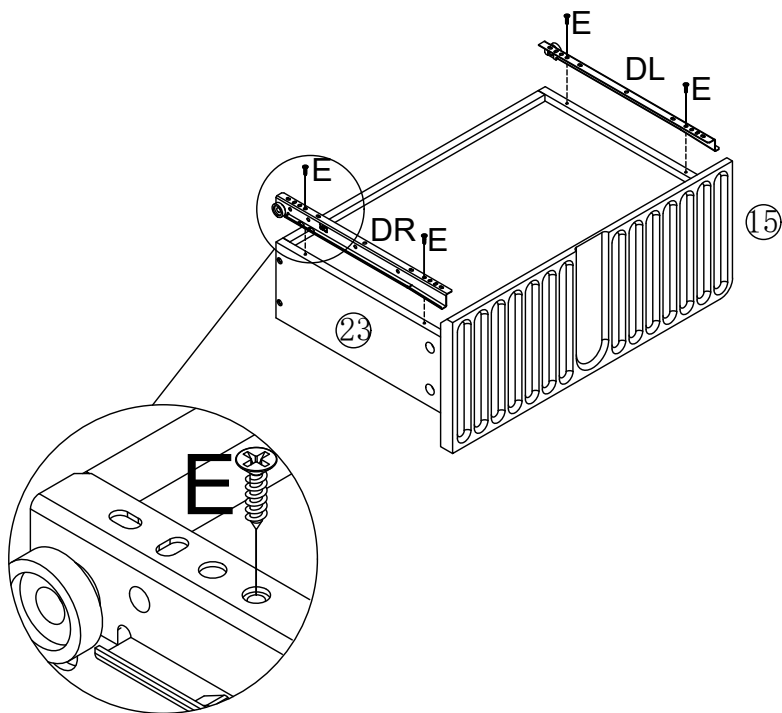
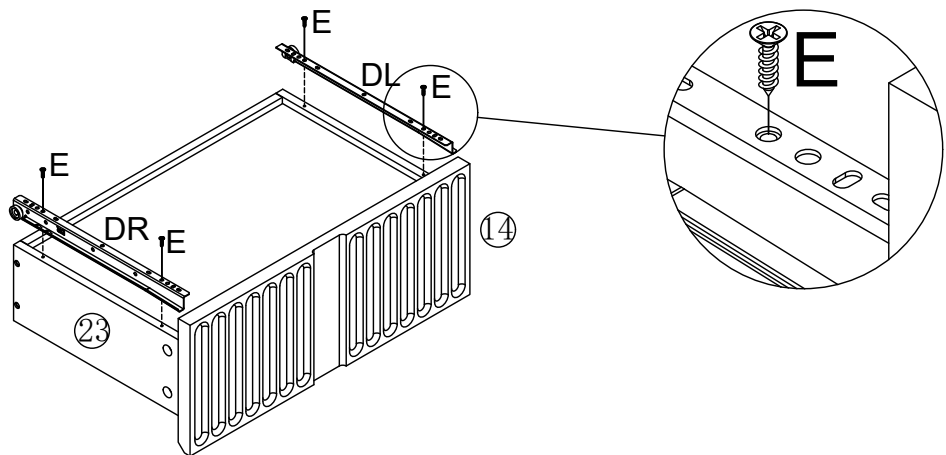
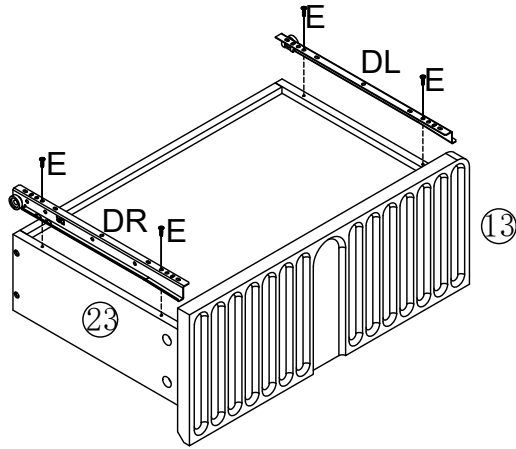
Step 25

B	×12	F	×12
			

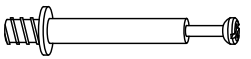


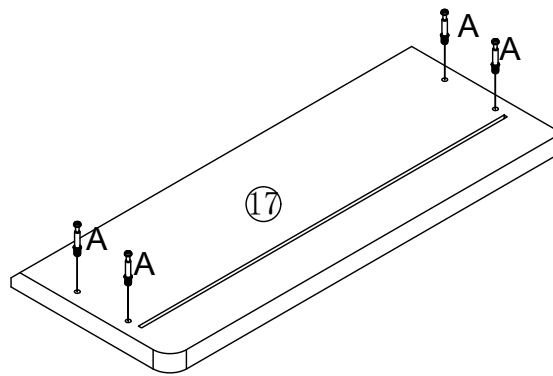
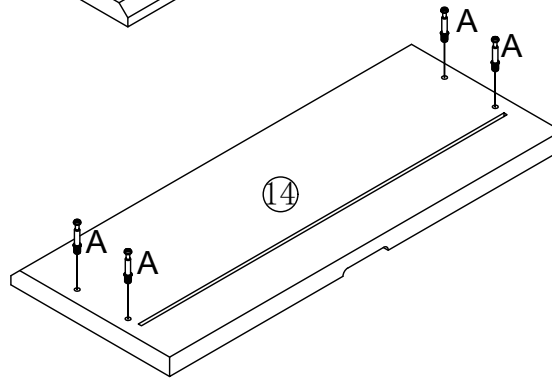
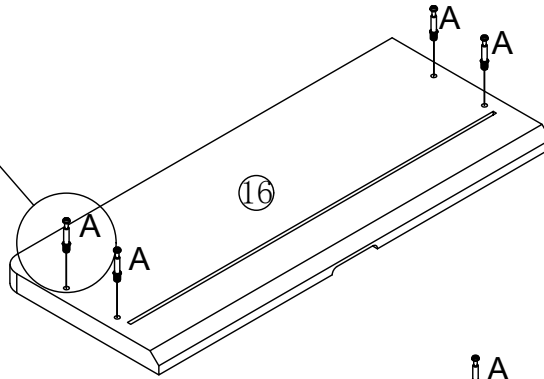
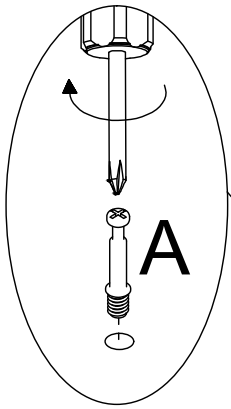
Step 26

E	×12	DL	×3	DR	×3
					





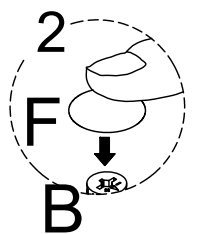
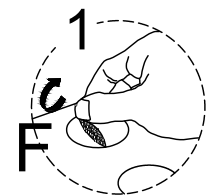
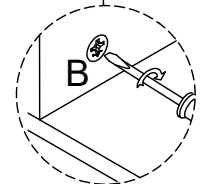
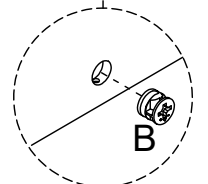
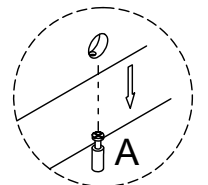
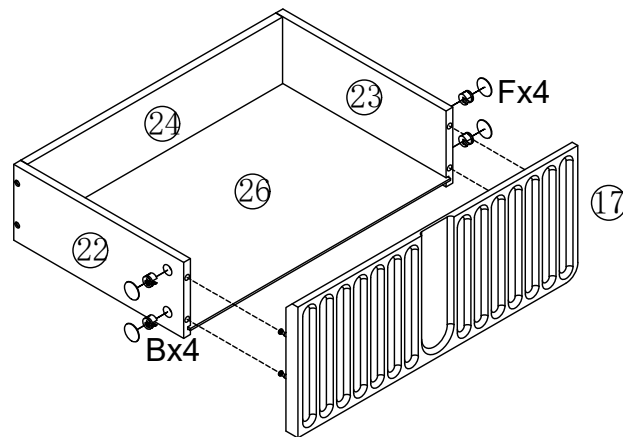
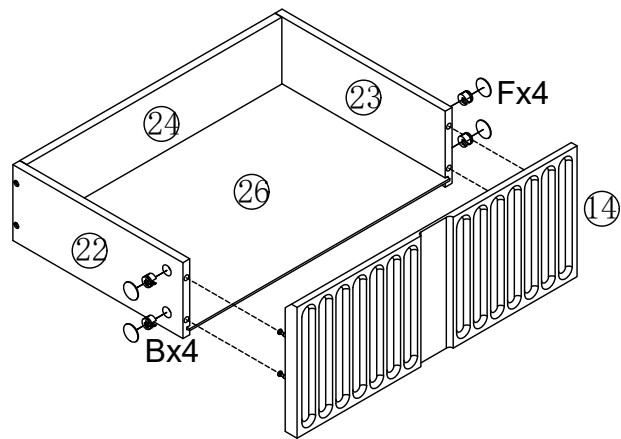
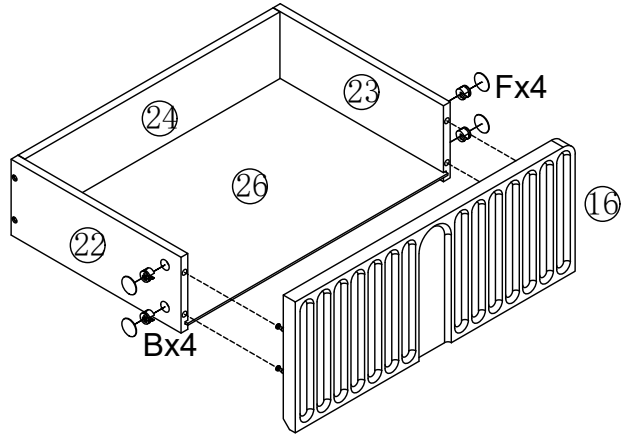
Step 27

A	×12
	


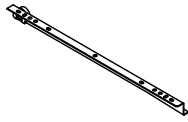
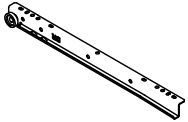


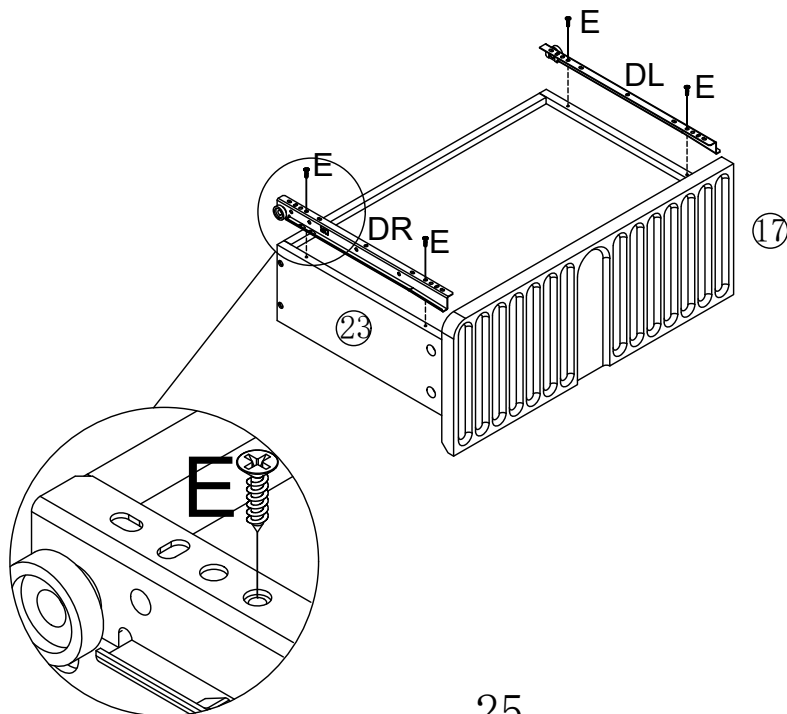
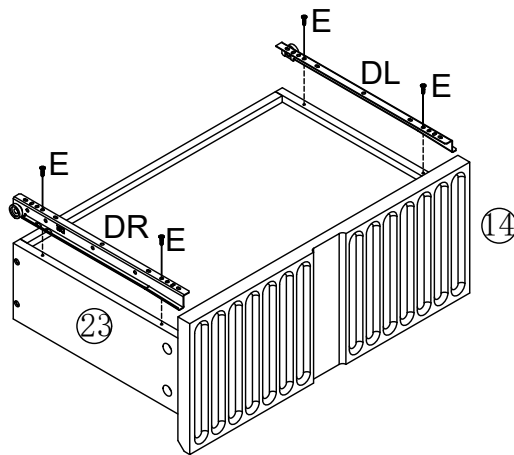
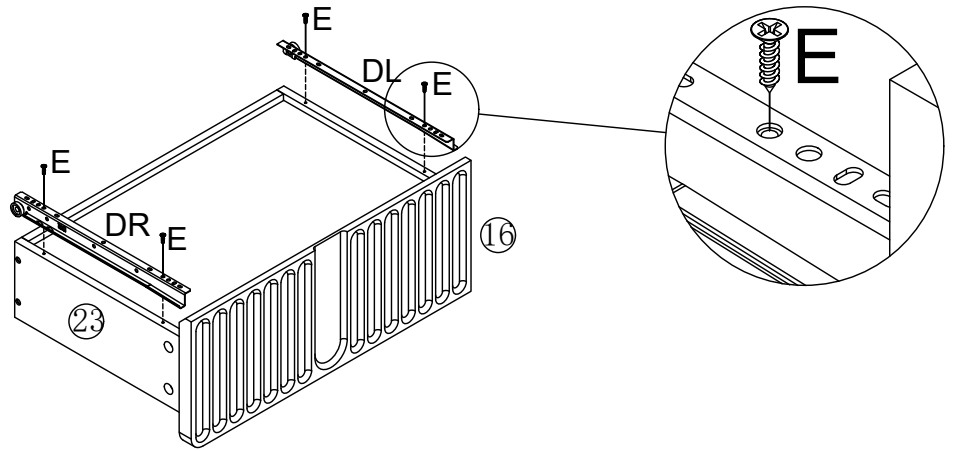
Step 28

B	×12	F	×12
			

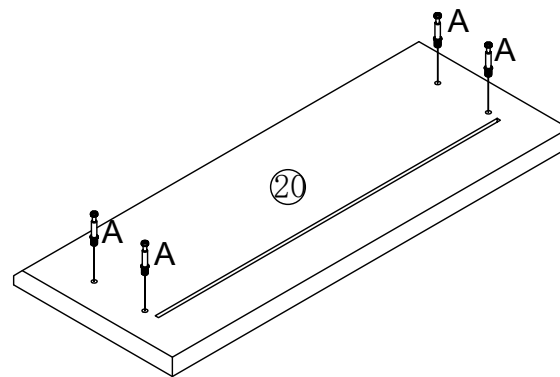
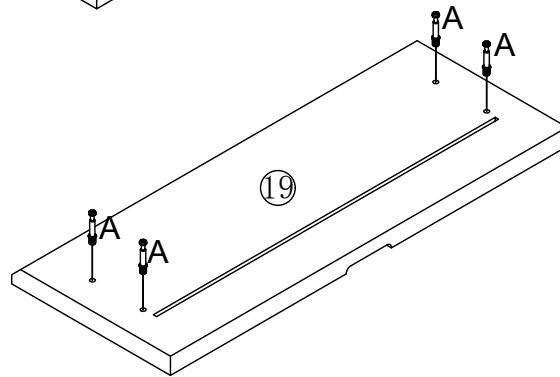
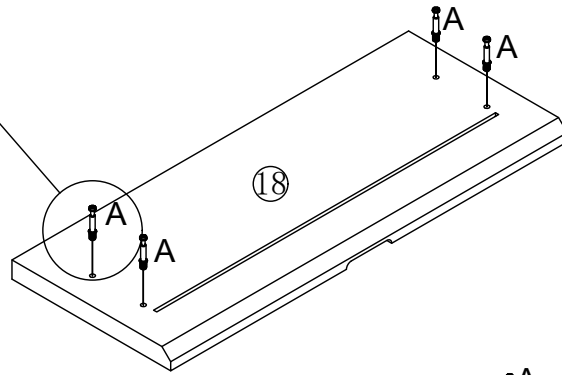
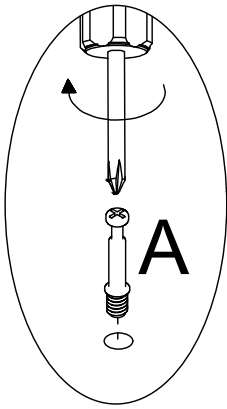
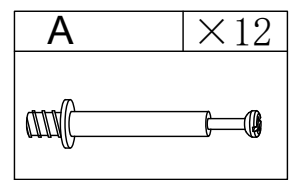


Step 29

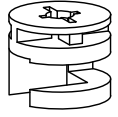

E	×12	DL	×3	DR	×3
					

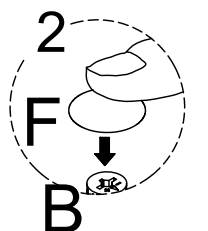
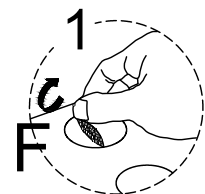
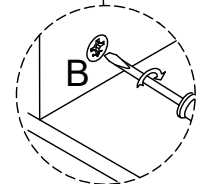
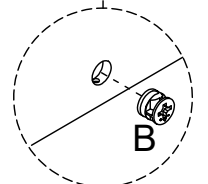
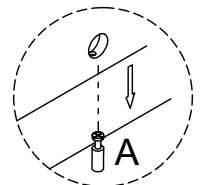
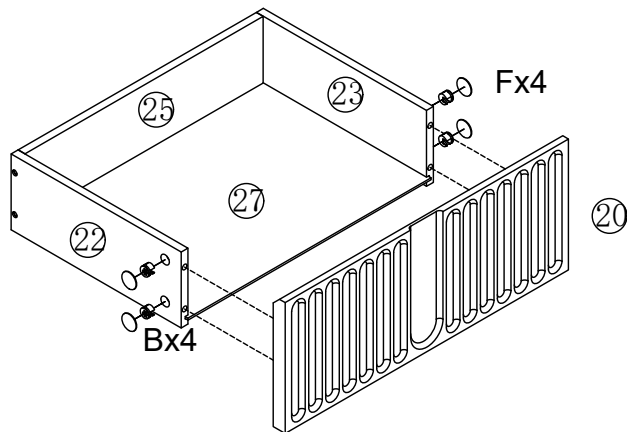
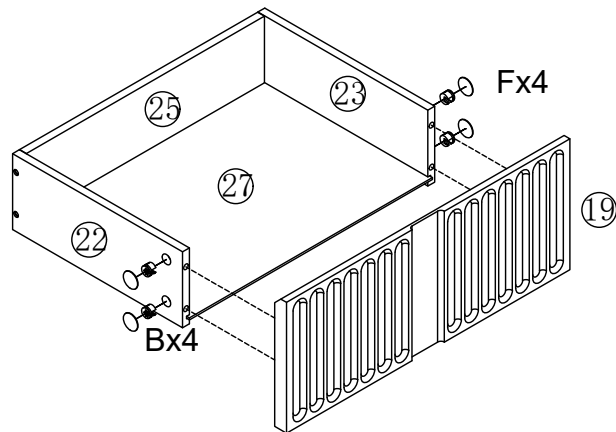
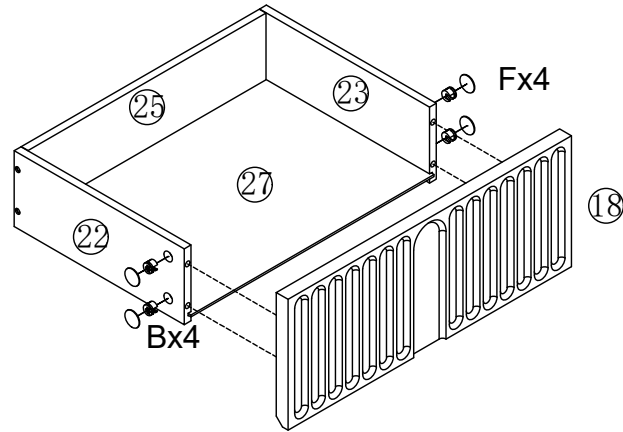


Step 30


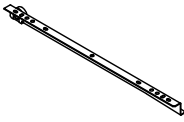
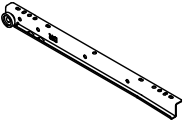


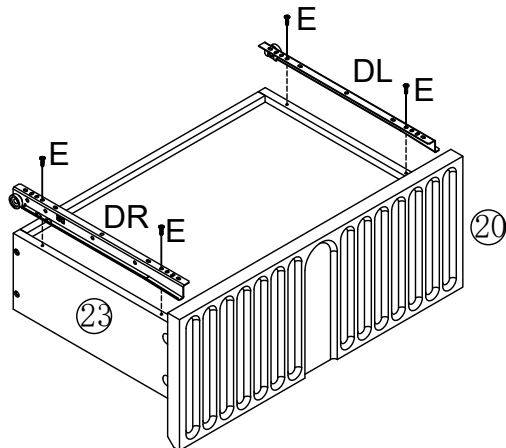
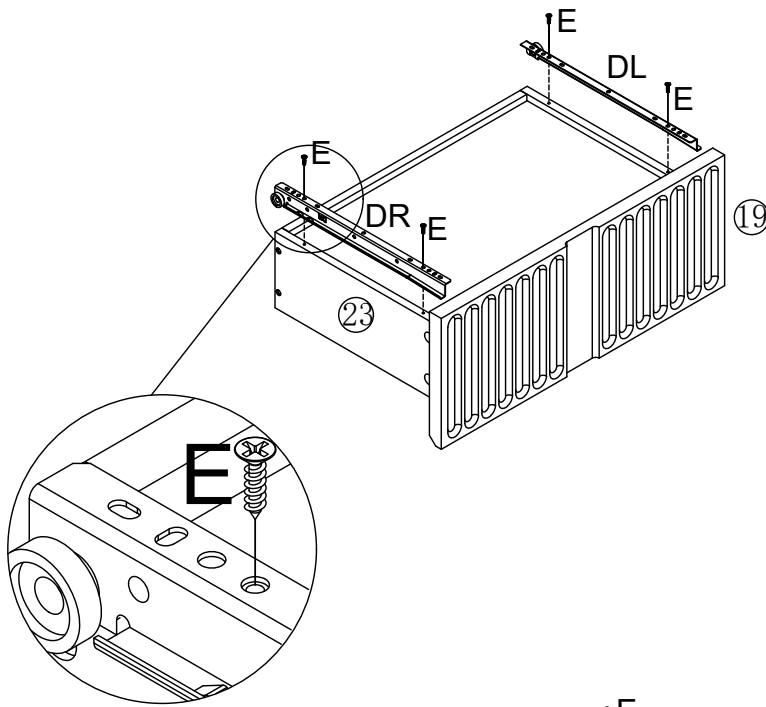
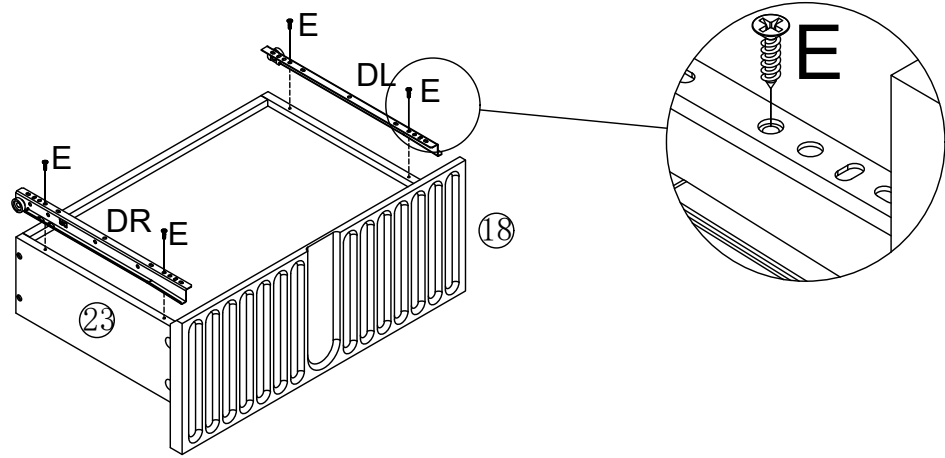
Step 31

B	×12	F	×12
			

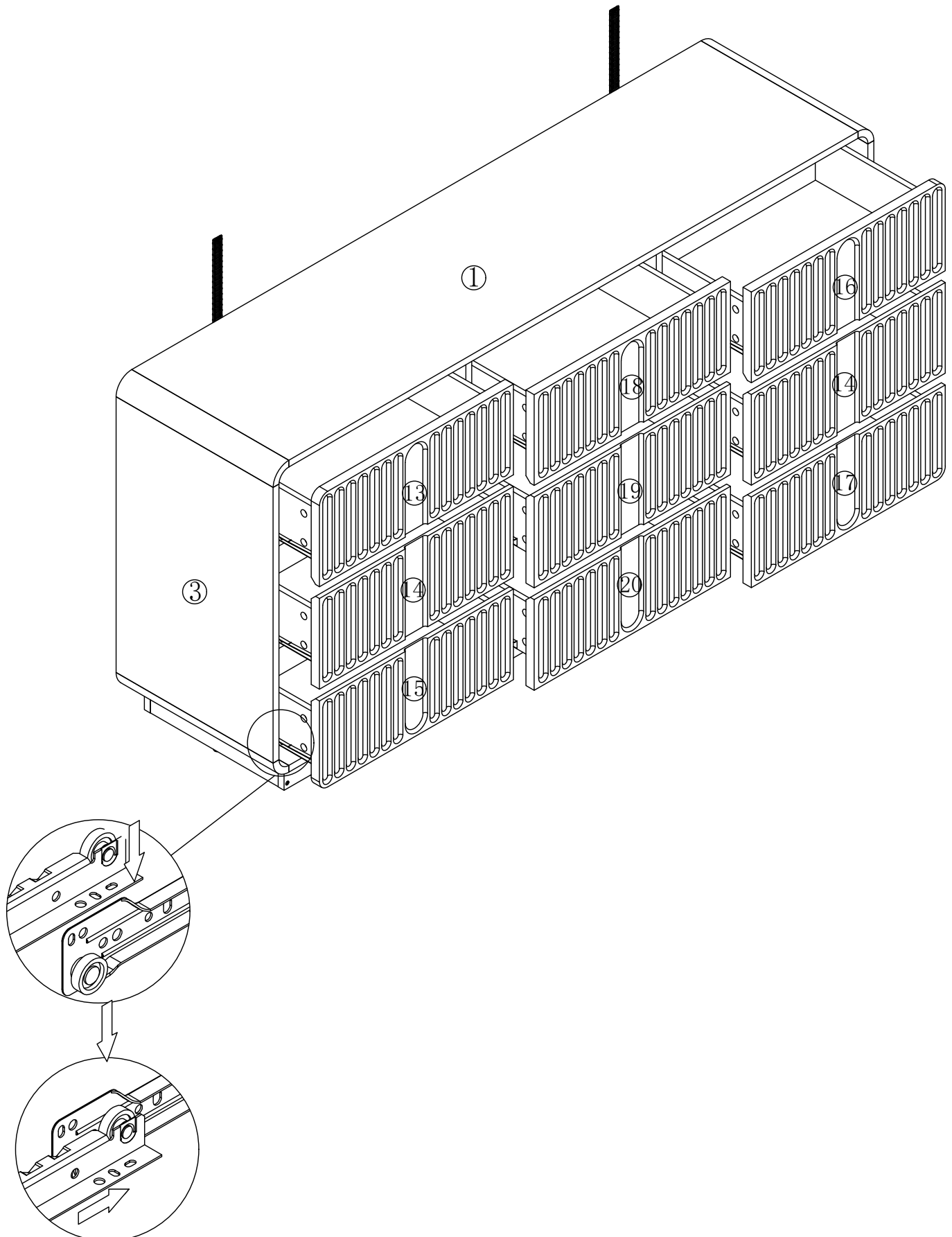


Step 32

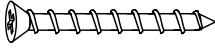
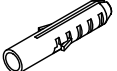
E	×12	DL	×3	DR	×3
					

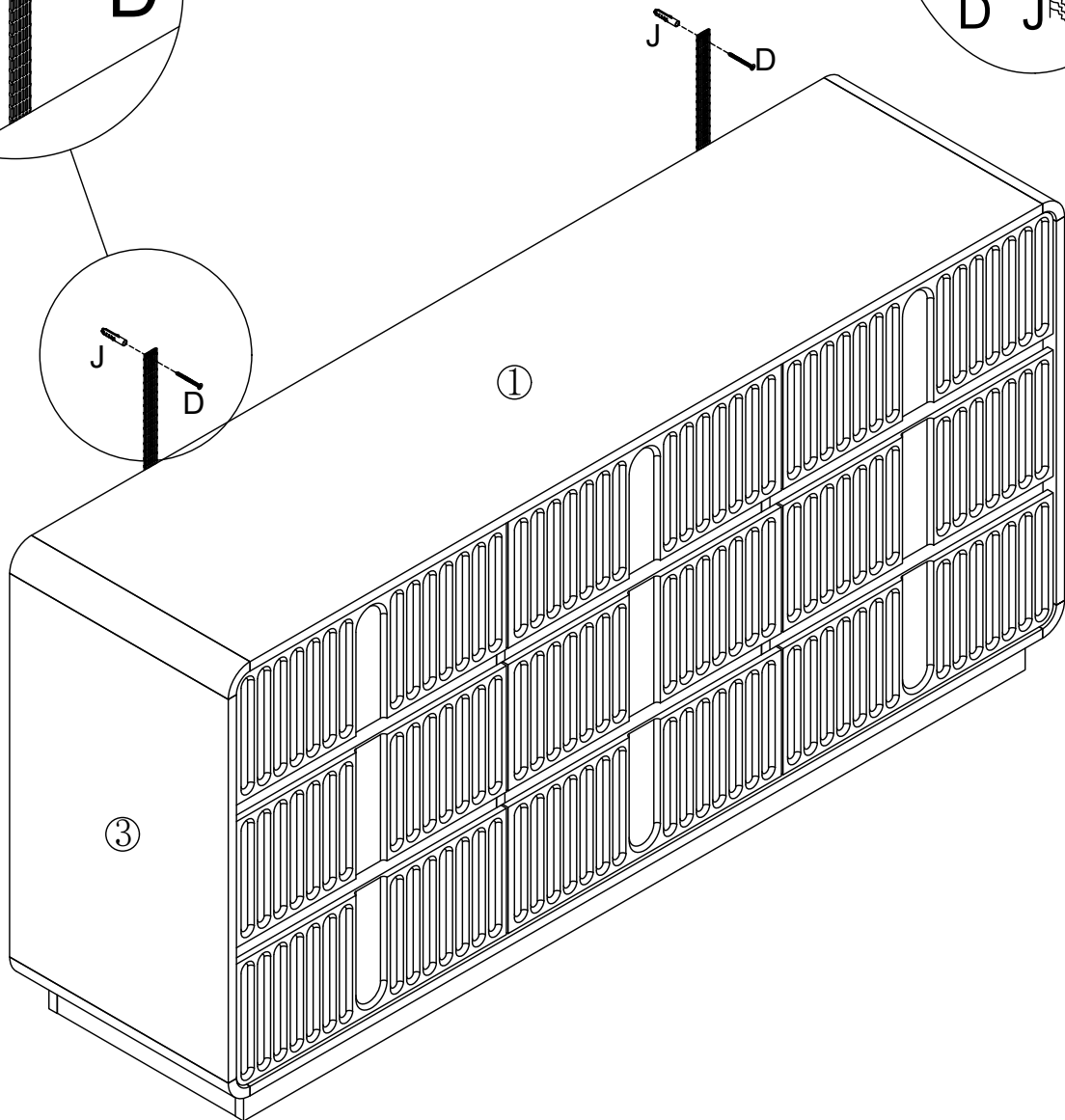
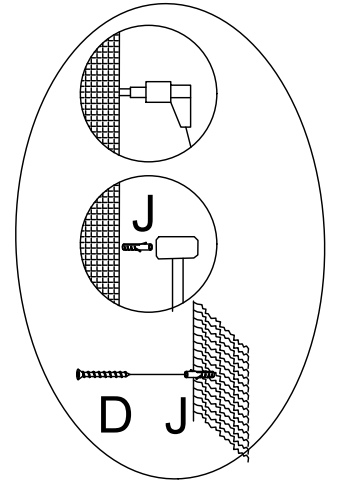
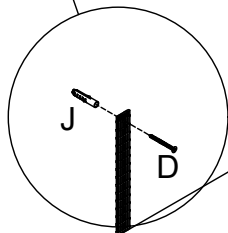
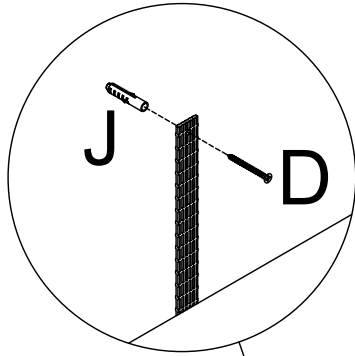


Step 33

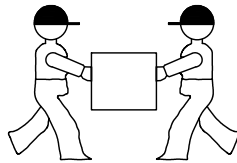
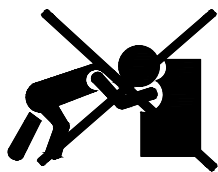
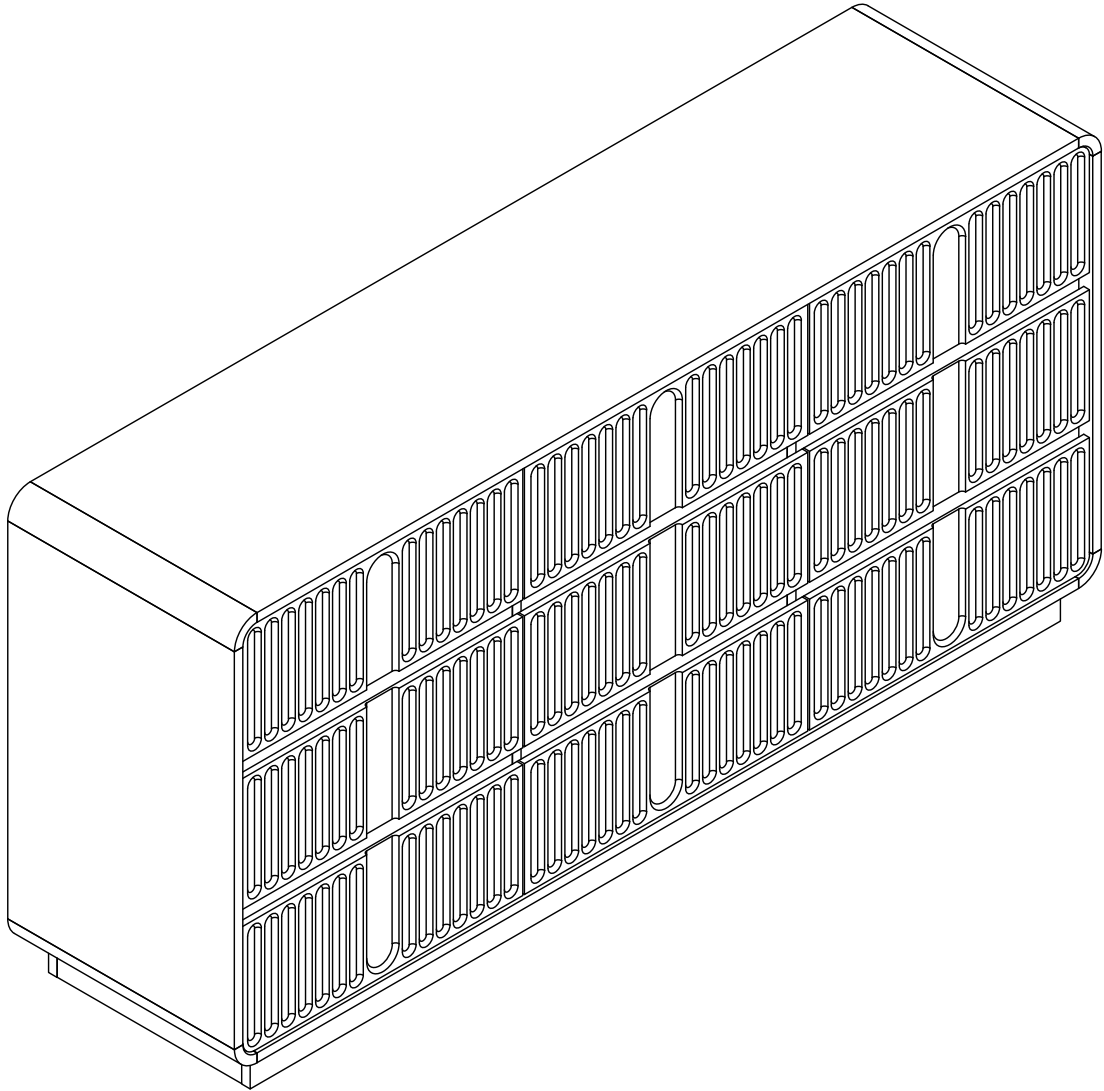


Step 34

D	×2	J	×2
			



Step 35



Two people work together to move the table.
Make sure you lift it off the ground.
Don't push and pull.