



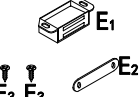

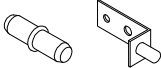
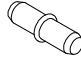

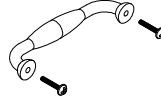
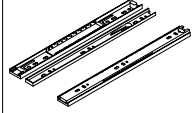

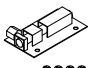
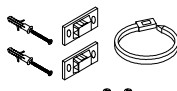


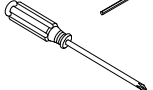
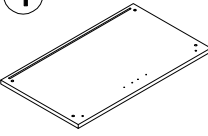
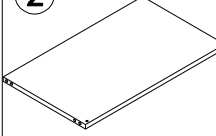
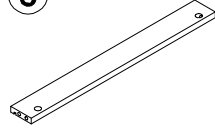
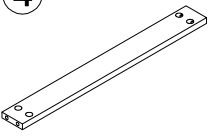
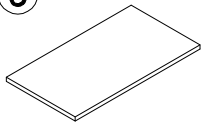
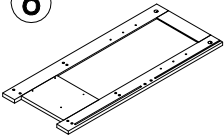
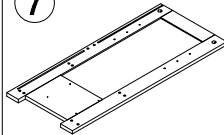
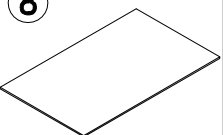
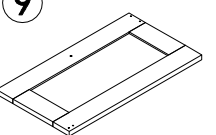
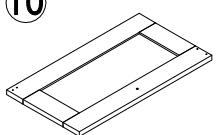
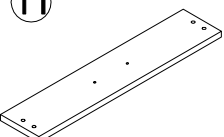
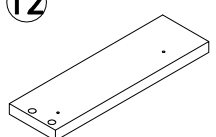
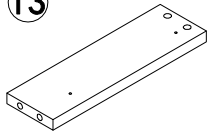
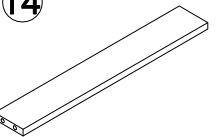
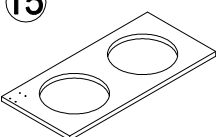
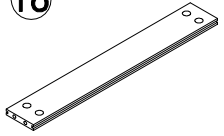
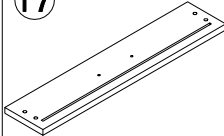
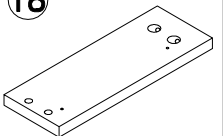
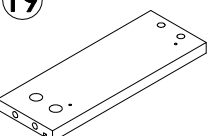
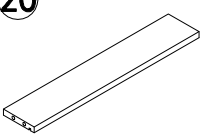


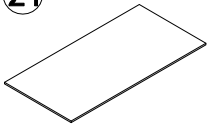
Hardware List

(A)  30PCS (M6*40)	(B)  6PCS (M8*40)	(C)  30PCS ($\phi 12*15$)	(D)  4PCS	(E)  2PCS	(F)  33PCS (M4*12)
(G)  2PCS	(H)  4PCS	(I)  2PCS	(J)  2PCS	(K)  2PCS	(L)  3PCS
(M)  1PC	(N)  1PC	(O)  8PCS	(P)  2PCS	(Q)  1PC	

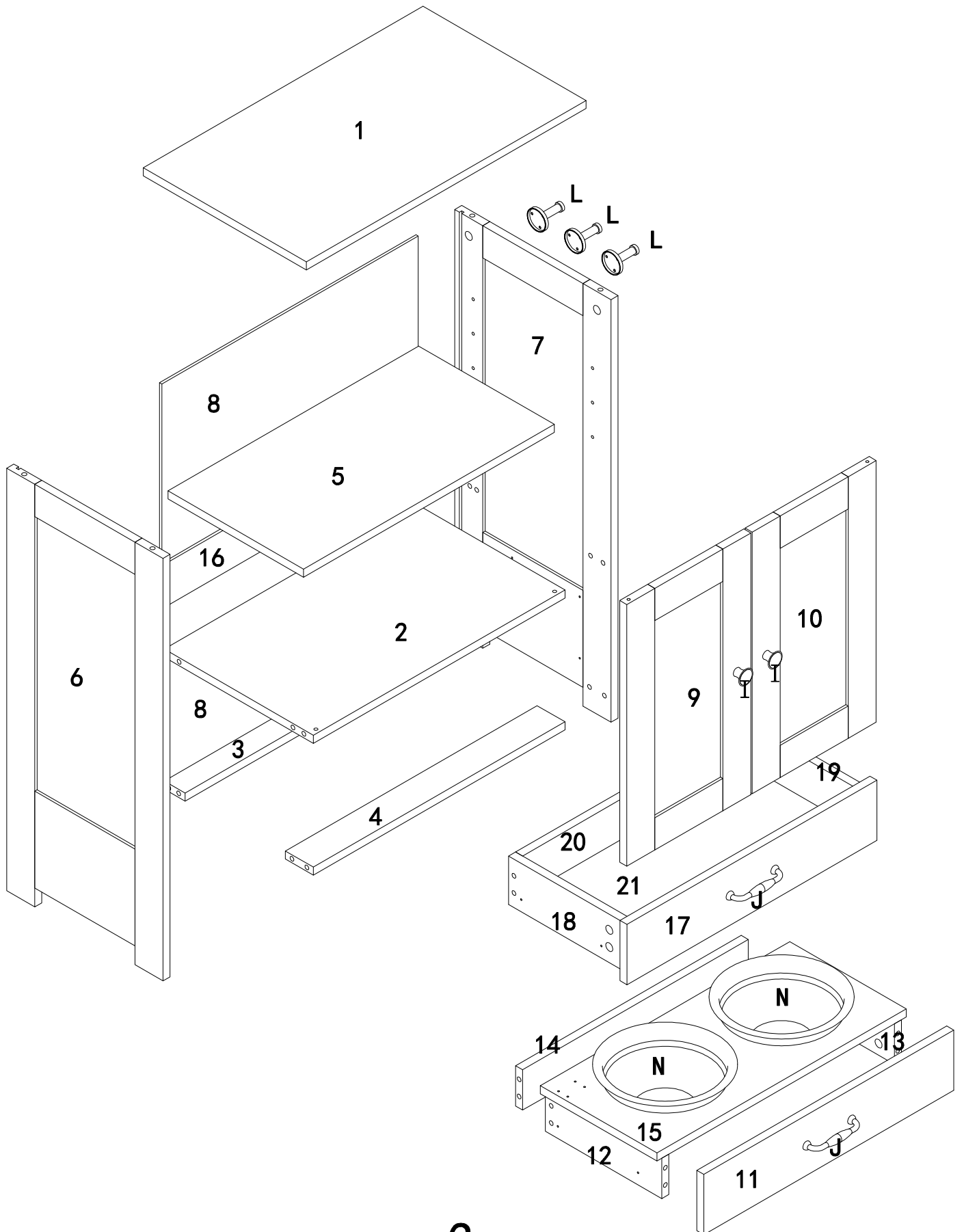
Panel List

(1)  1PC	(2)  1PC	(3)  1PC	(4)  1PC	(5)  1PC
(6)  1PC	(7)  1PC	(8)  2PCS	(9)  1PC	(10)  1PC
(11)  1PC	(12)  1PC	(13)  1PC	(14)  1PC	(15)  1PC
(16)  1PC	(17)  1PC	(18)  1PC	(19)  1PC	(20)  1PC

21



1PC



EN_NOTE: Pull inner and outer drawer runners apart before fixing them to panels.

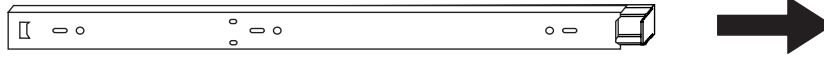
FR_REMARQUE: Avant de fixer les glissières de tiroir aux panneaux, tirez vers l'extérieur et poussez vers l'intérieur de chacun des tiroirs.

ES_NOTA: retire los rieles interiores y exteriores antes de fijarlos a los paneles.

PT_NOTA: Separar as corrediças das gavetas interiores e exteriores antes de fixar para os painéis.

DE_HINWEIS: Ziehen Sie die inneren und äußeren Schubladenführung auseinander, bevor Sie sie an den Platten befestigen.

IT_NOTA: Separare le guide interne ed esterne del cassetto prima di fissarle ai pannelli.



EN_Slide drawer runners apart until the drawer lock can be seen, as shown.

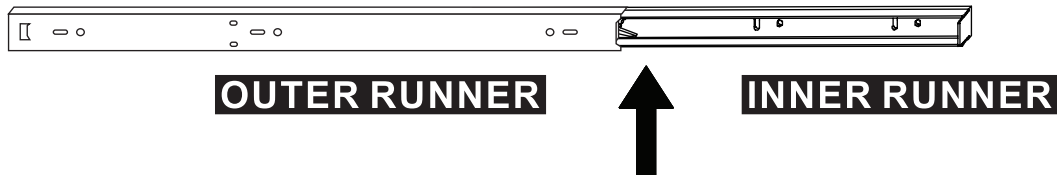
FR_Les glissières de tiroir doivent être ouvertes jusqu'à ce que la serrure du tiroir soit visible, comme indiqué.

ES_Deslice a un lado los rieles del cajón hasta que se pueda ver el cierre del armario, tal y como se muestra.

PT_Deslizam-se as gavetas até se poder ver o fecho da gaveta, como se mostra.

DE_Schieben Sie die Schubladenführungen auseinander, bis das Schubladenschloss sichtbar ist, gemäß der Abbildung.

IT_Far scorrere le guide del cassetto fino a quando non sia visibile il blocco di scorrimento, come mostrato.



EN_Press and hold the drawer runner lock and then continue to slide drawer runners apart, as shown.

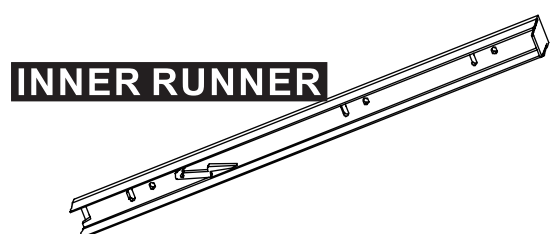
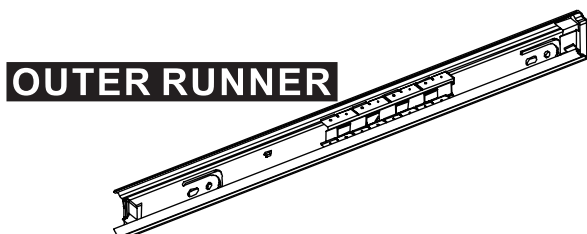
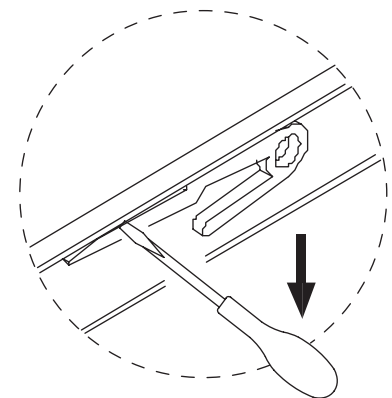
FR_En appuyant et en maintenant le verrouillage des glissières de tiroir, vous pouvez continuer à les écarter l'une de l'autre, comme indiqué.

ES_Mantenga presionado el cierre del riel del cajón y después continúe deslizando a un lado los rieles de los cajones, tal y como se muestra.

PT_Manter pressionado o fecho de gaveta e depois continuar a deslizar as corrediças da gaveta, como mostrado.

DE_Drücken und halten Sie die Verriegelung der Schubladenführung und schieben Sie die Schubladenführungen wie abgebildet weiter auseinander.

IT_Tenere premuto il blocco di scorrimento e quindi continuare a far scorrere la guida, come mostrato.



EN_Your inner and outer drawer runners are ready to be fixed to panels.

FR_Il est possible, à présent, de fixer les glissières intérieures et extérieures de vos tiroirs sur des panneaux.

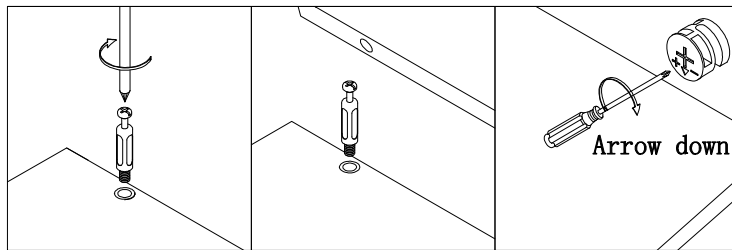
ES_Los rieles interiores y exteriores del cajón están listos para fijarse a los paneles.

PT_As corrediças das gavetas interiores e exteriores estão prontas para serem fixadas nos painéis.

DE_Ihre inneren und äußeren Schubladenführungen sind bereit, an den Platten befestigt zu werden.

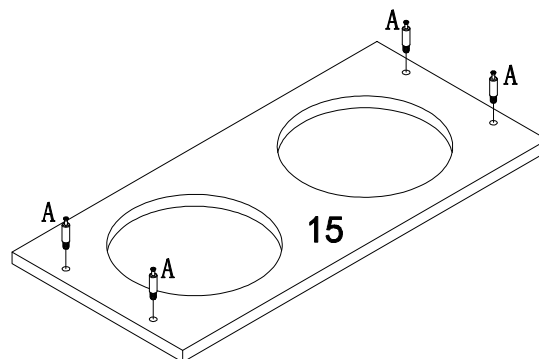
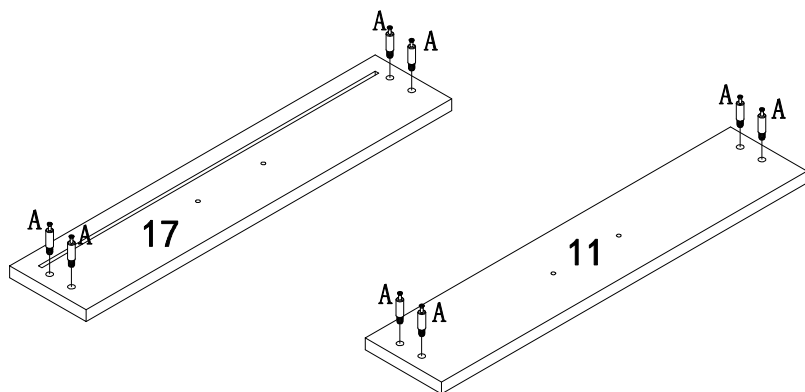
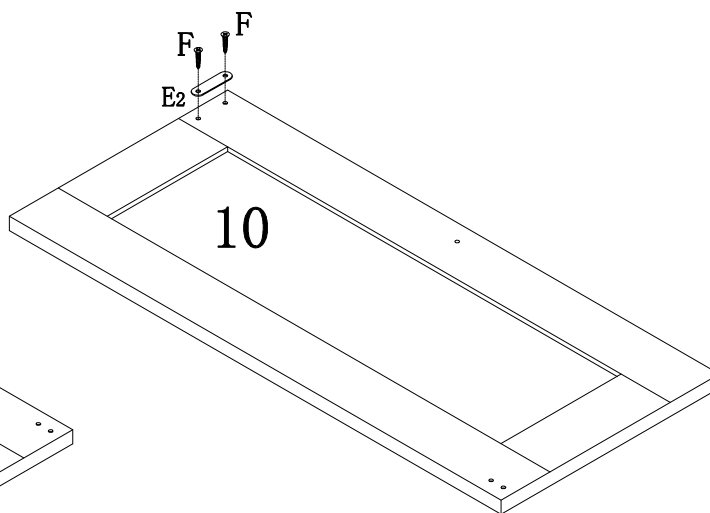
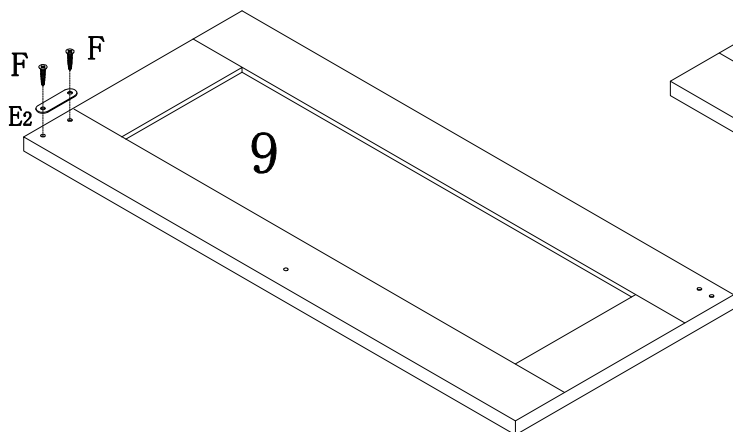
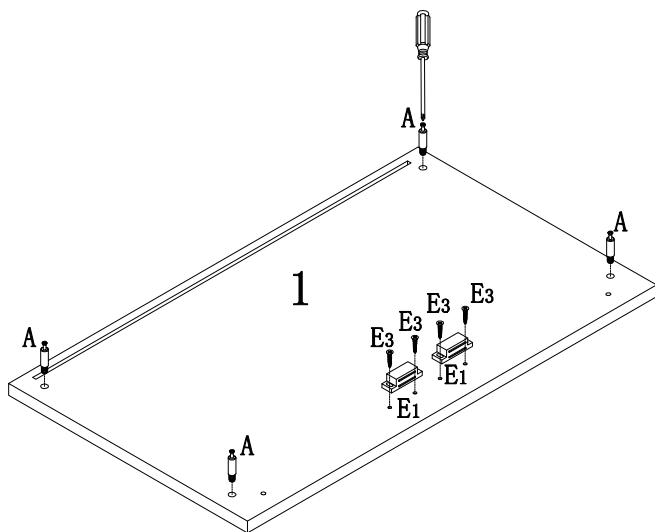
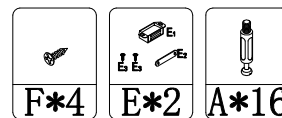
IT_Le guide interne ed esterne sono pronte per essere fissate ai pannelli.

Assembling the unit with camlocks and wood dowels

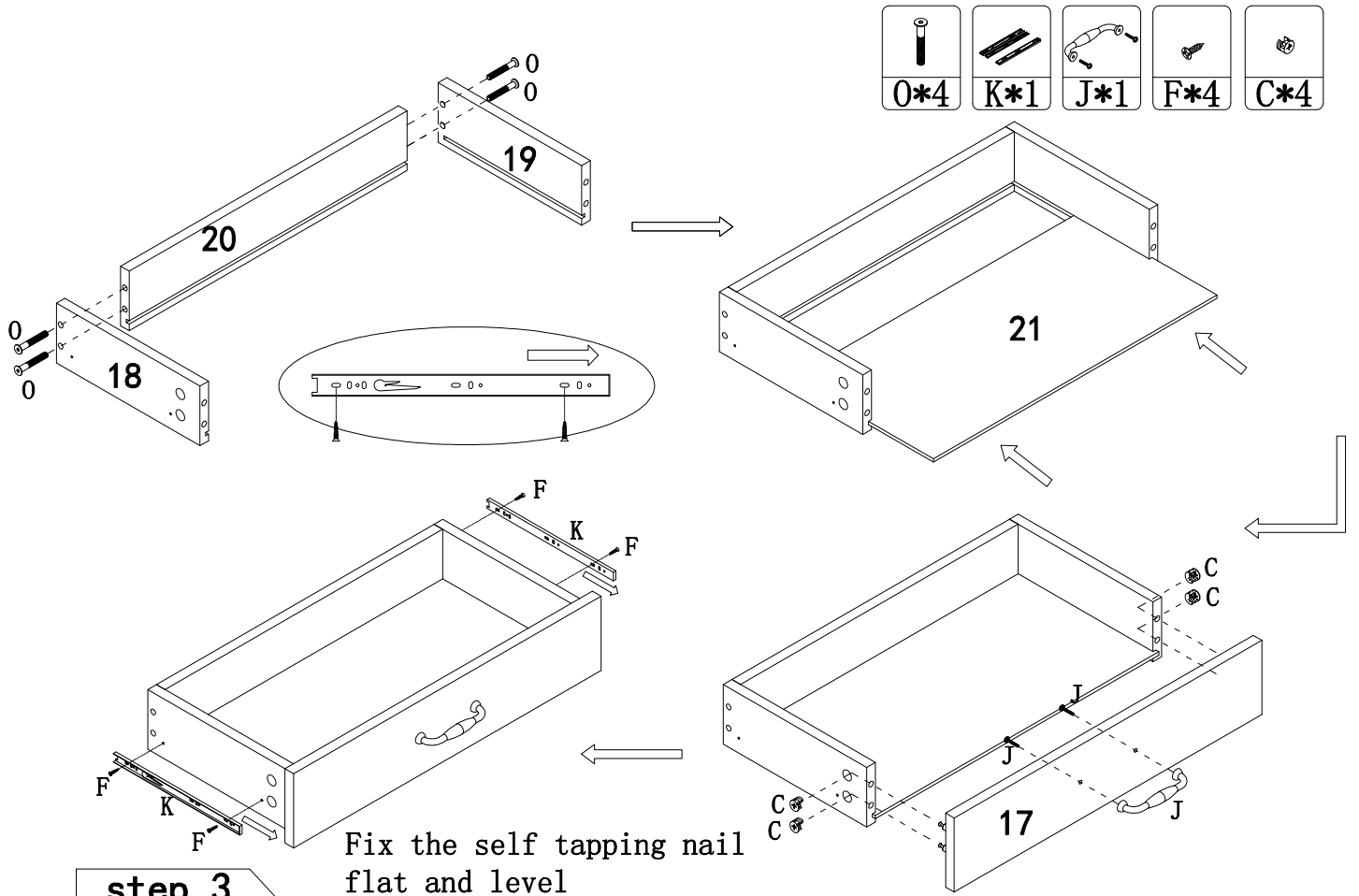


Assembly instructions

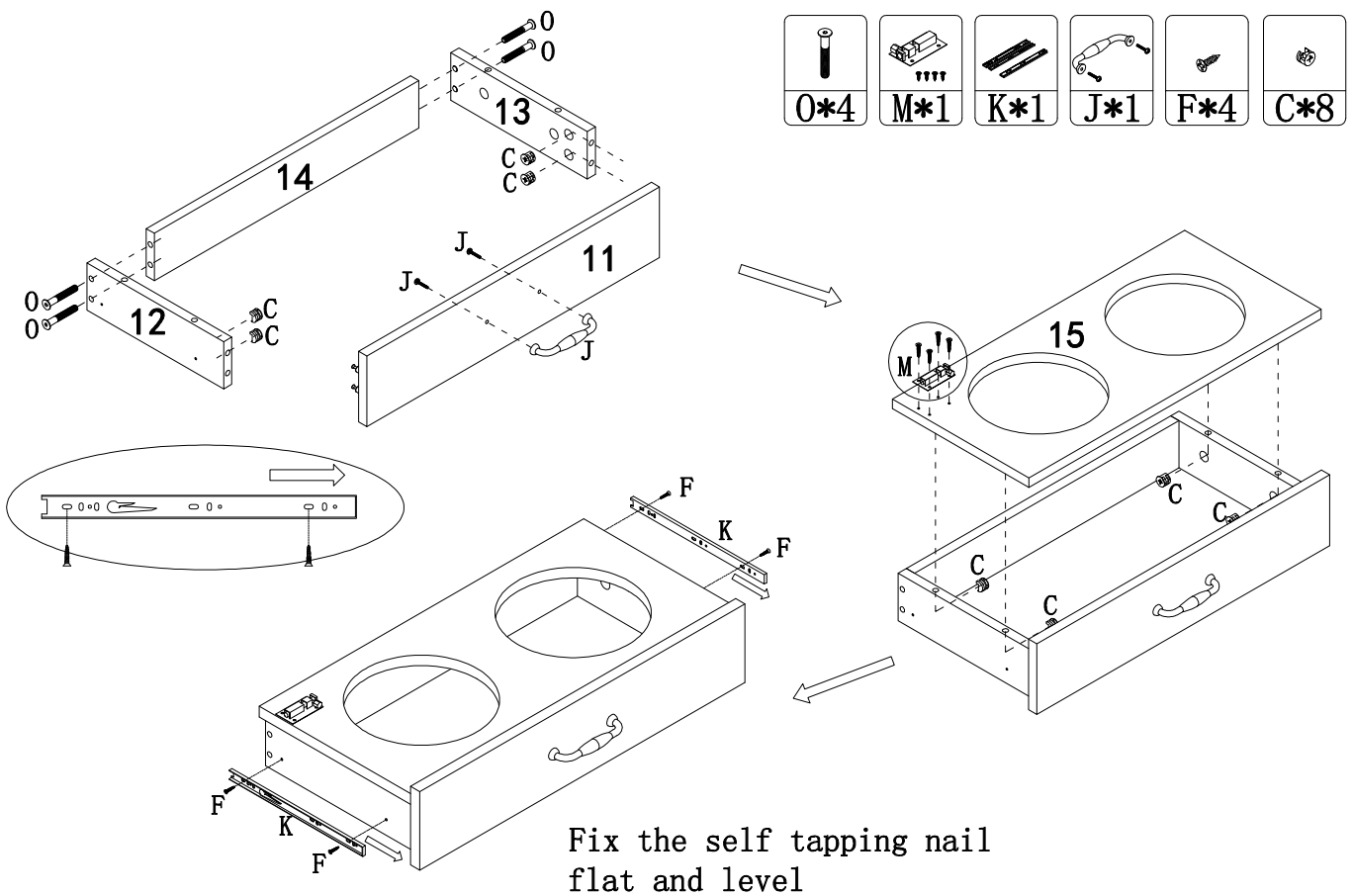
step 1



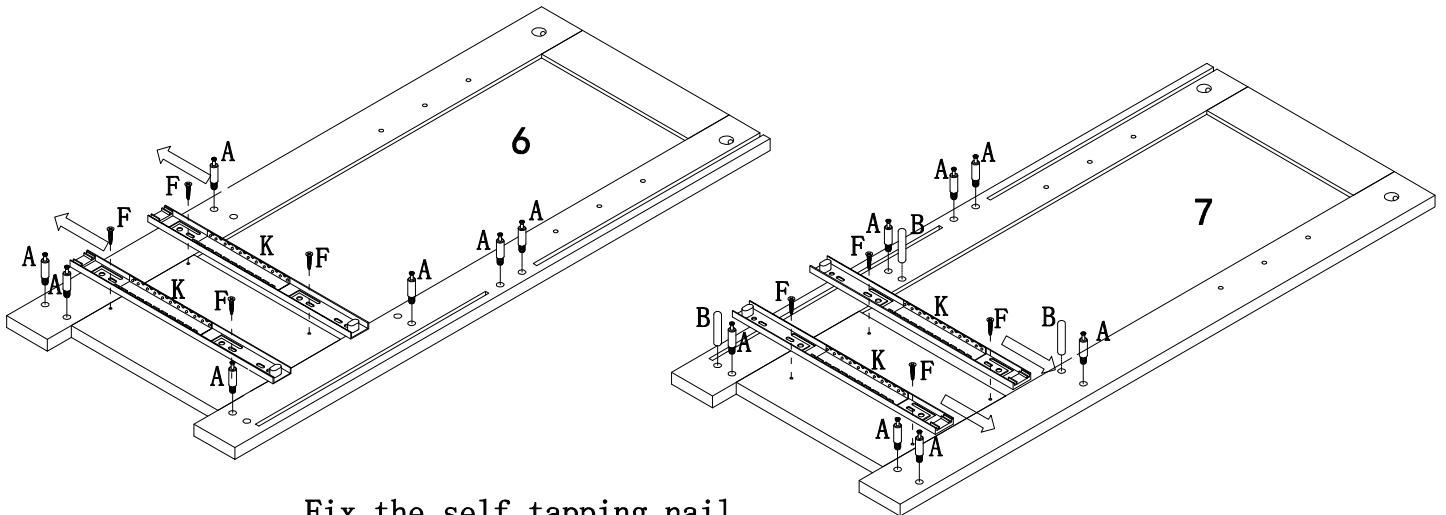
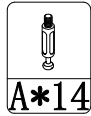
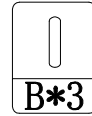
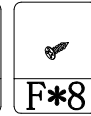
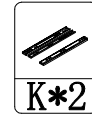
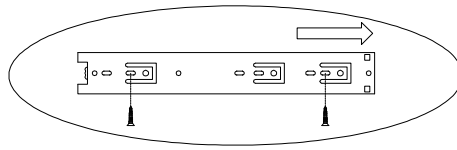
step 2



step 3

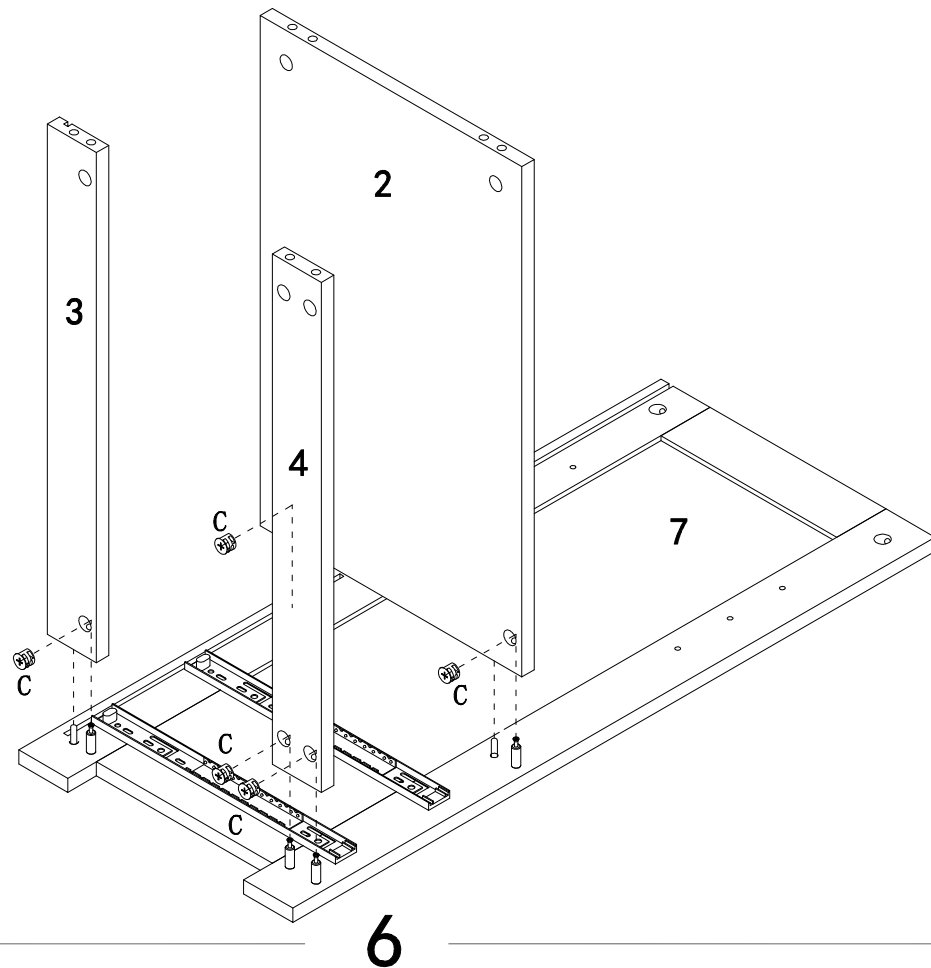


step 4

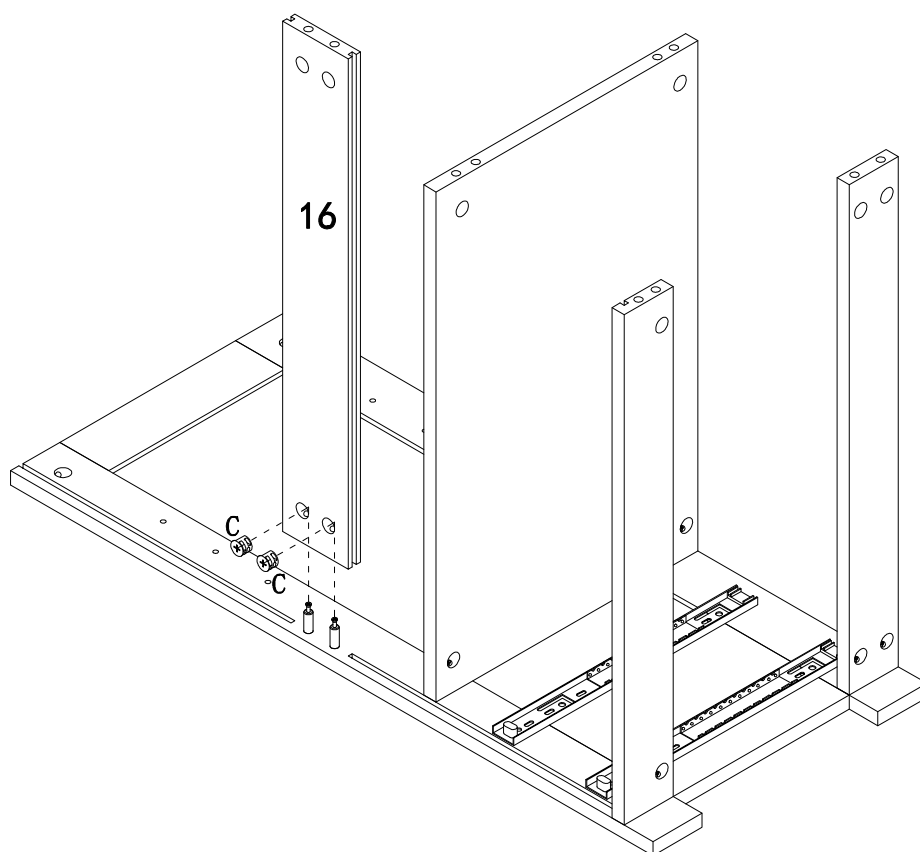


Fix the self tapping nail
flat and level

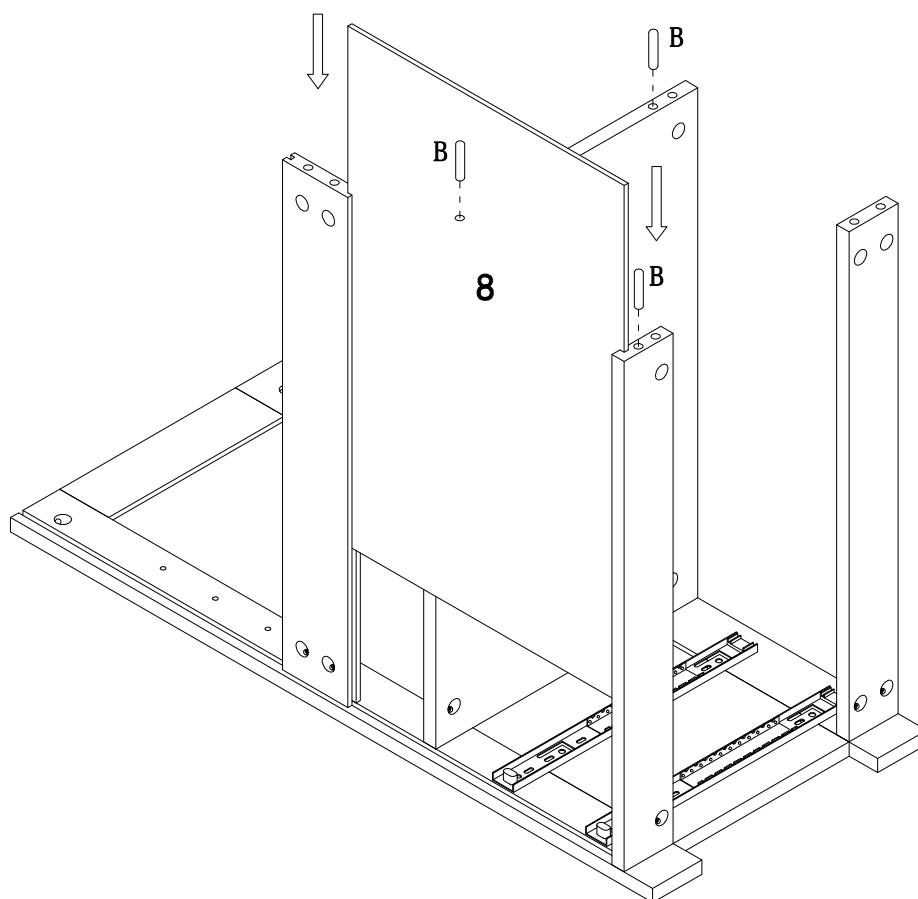
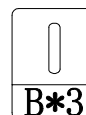
step 5



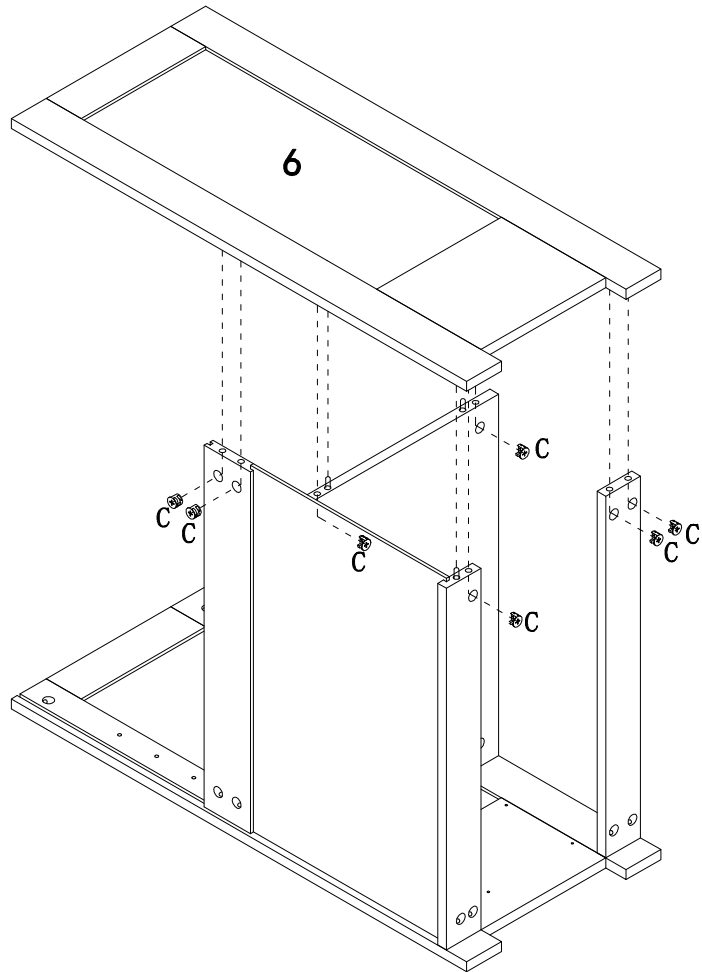
step 6



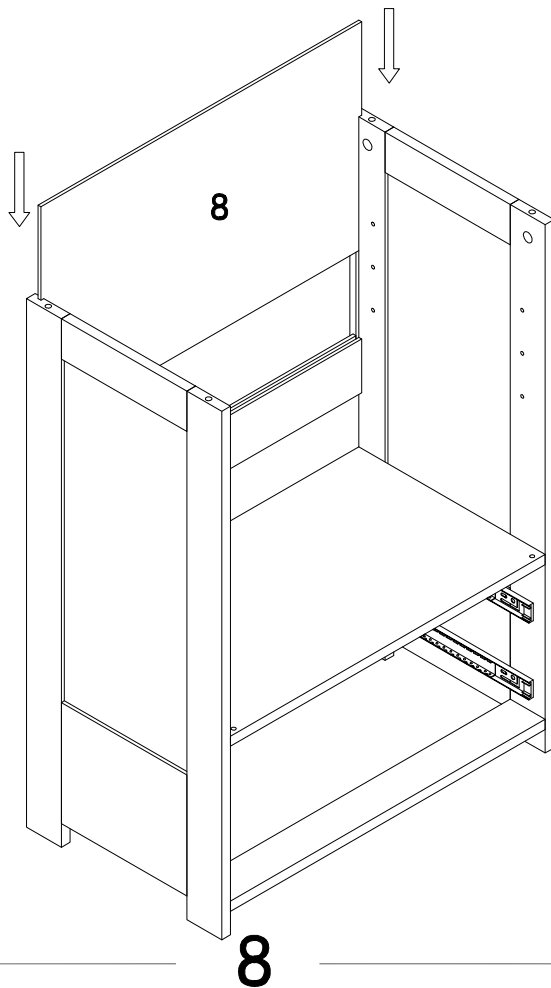
step 7



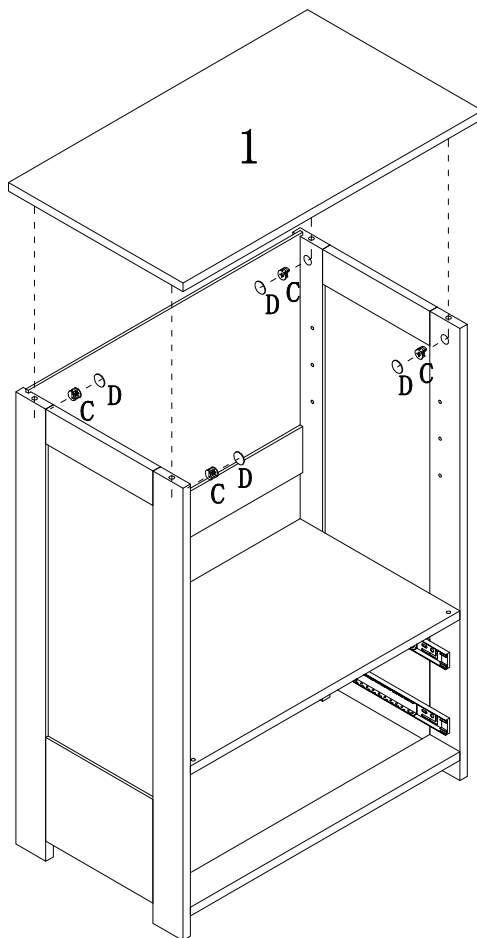
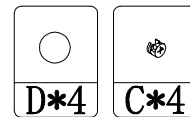
step 8



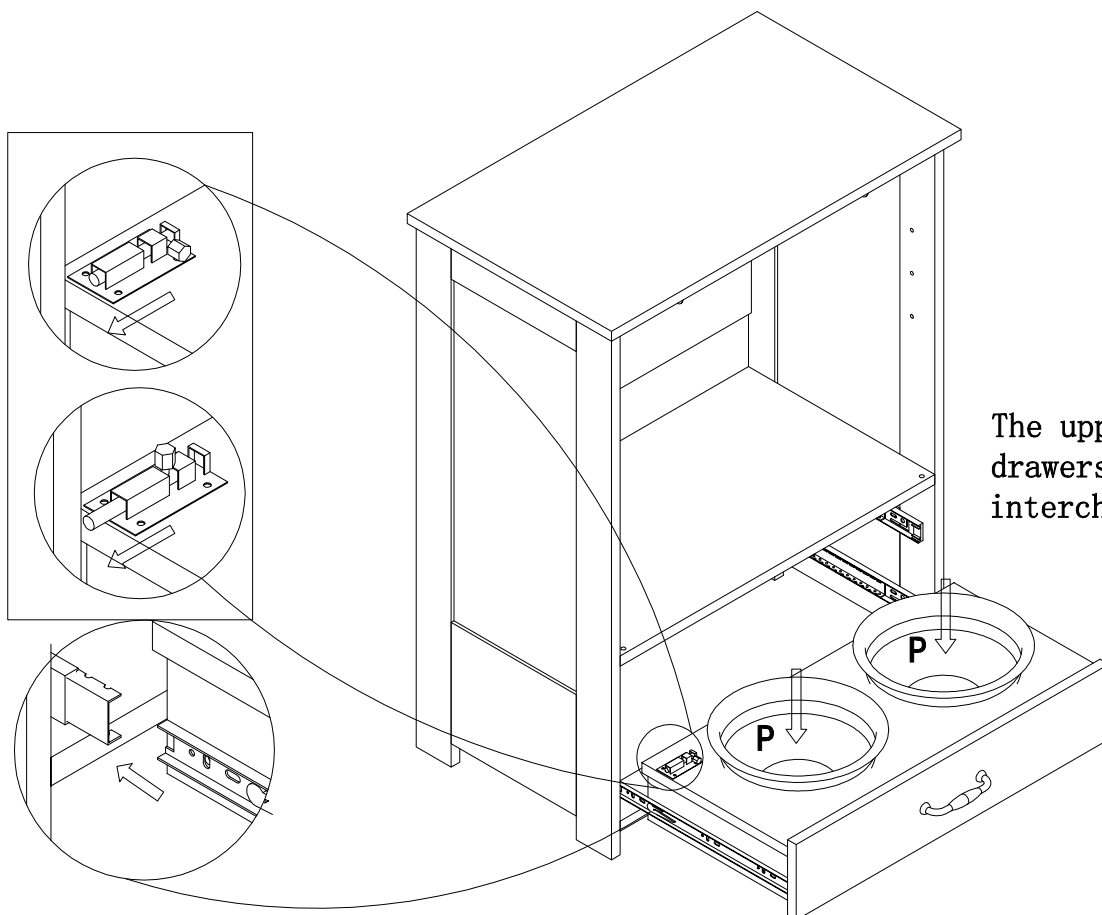
step 9



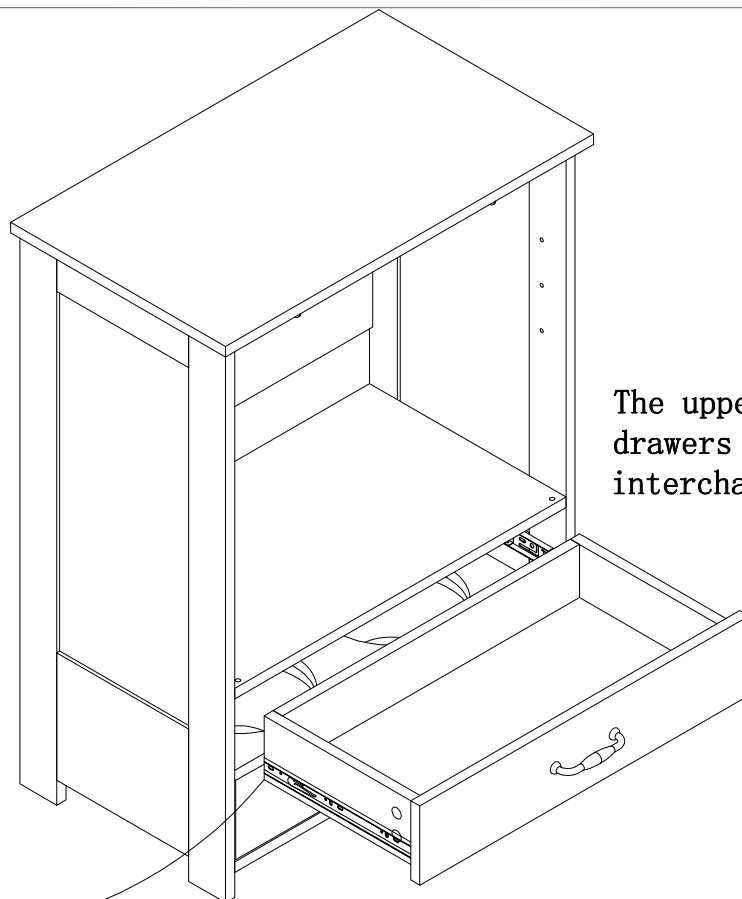
step 10



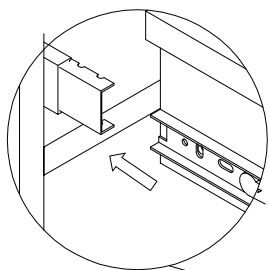
step 11



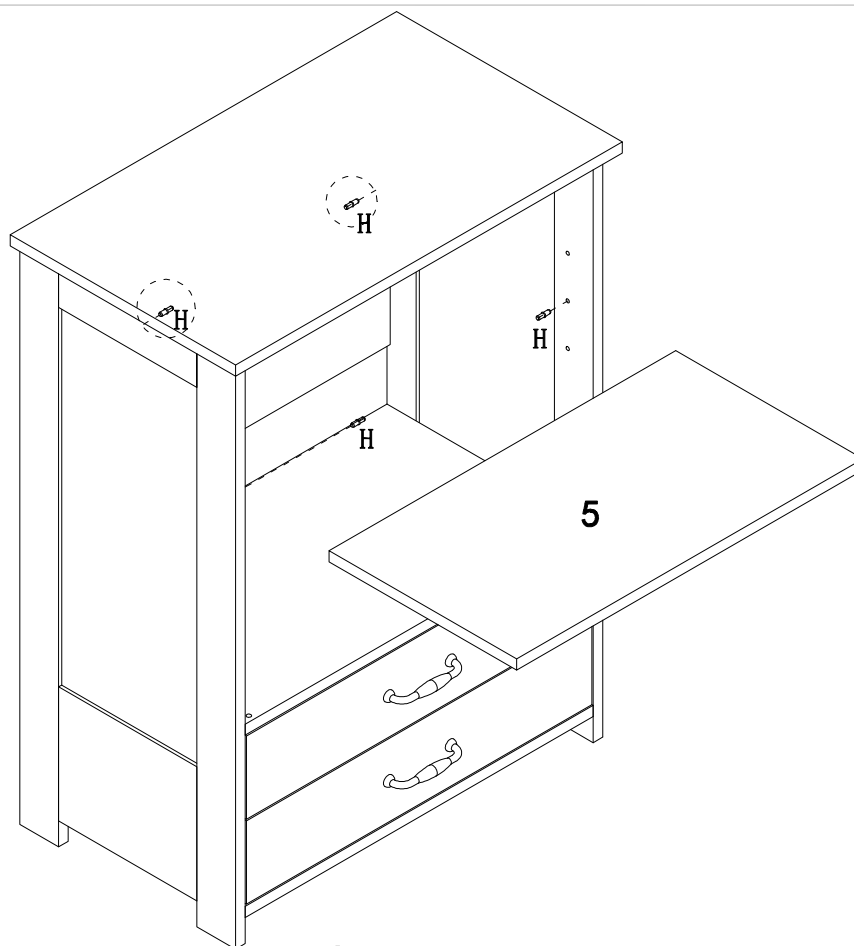
step 12



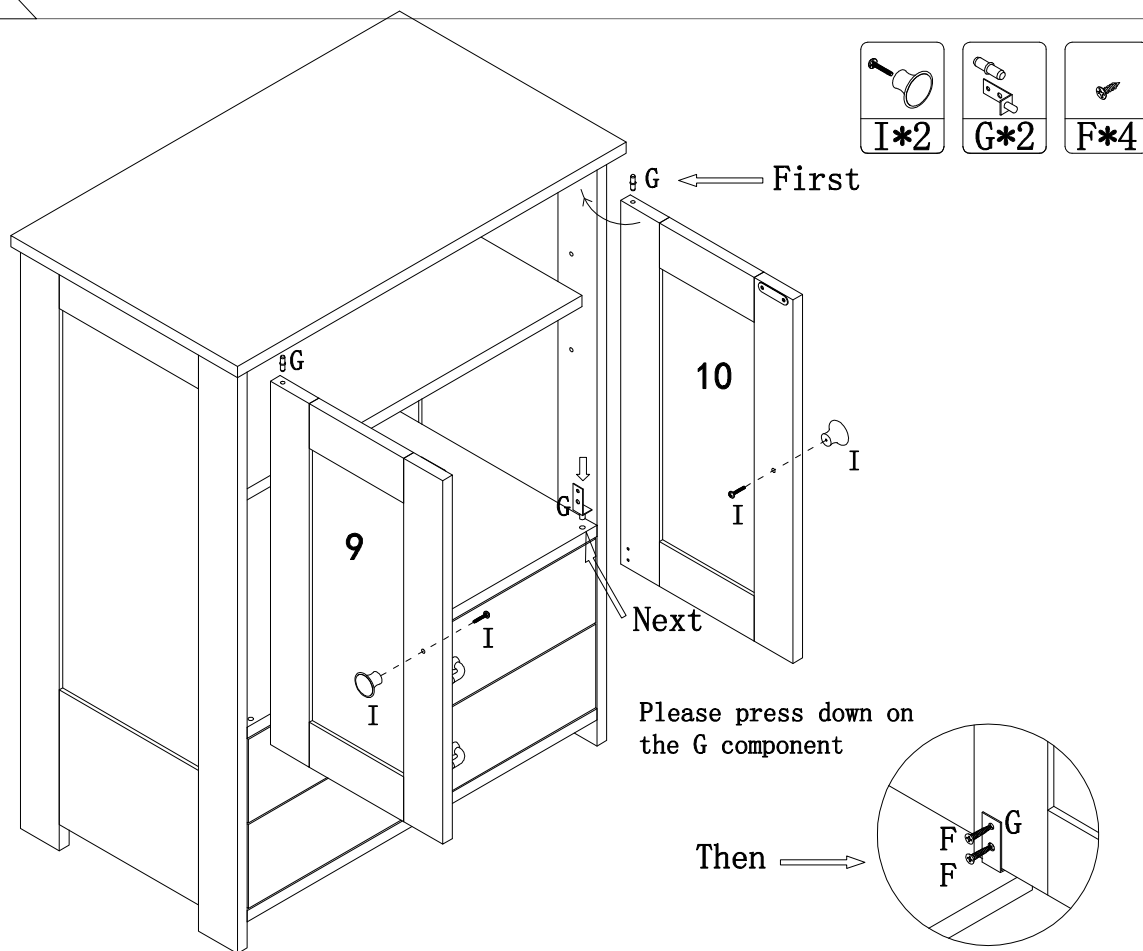
The upper and lower drawers can be interchanged in position



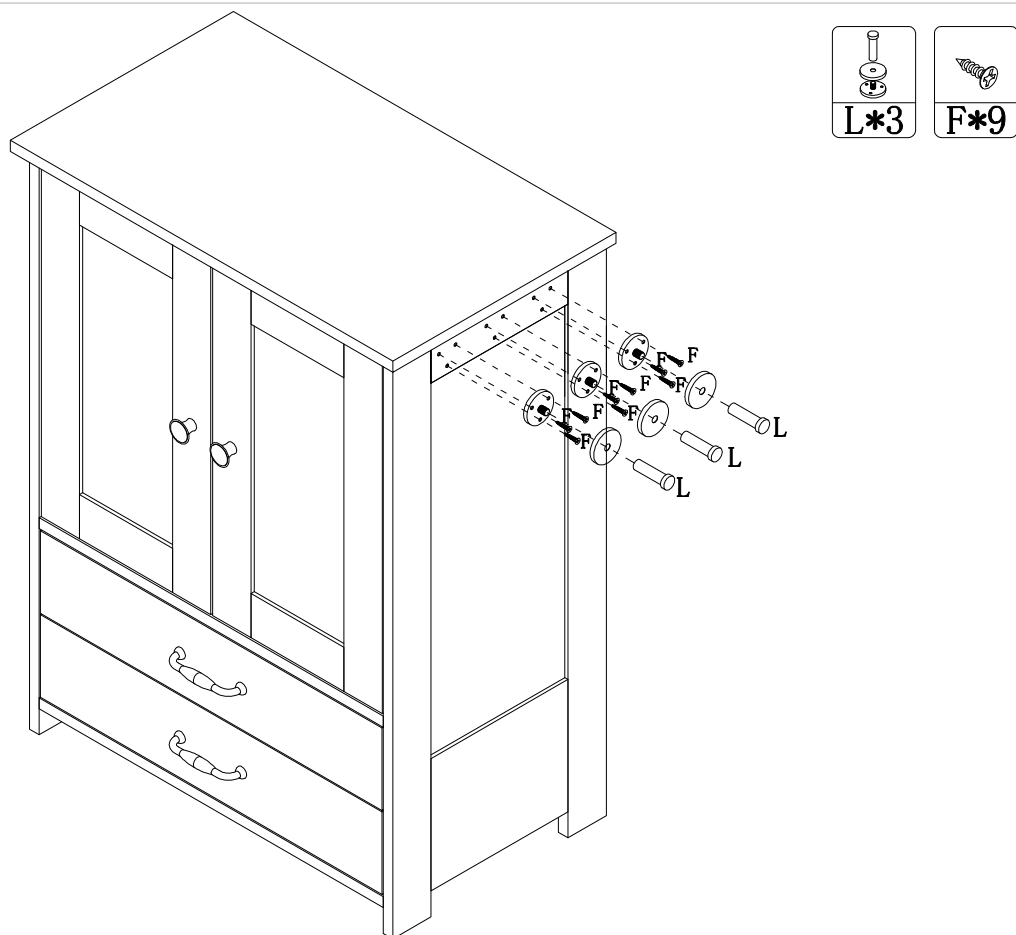
step 13

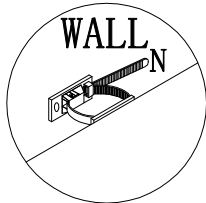
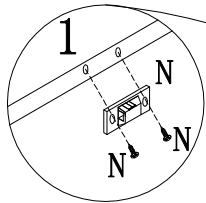
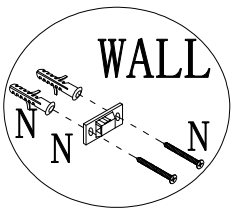
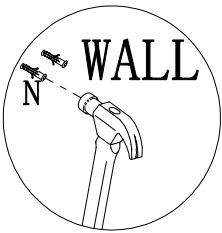
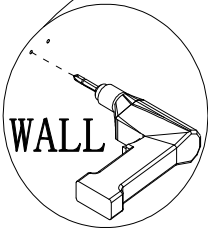
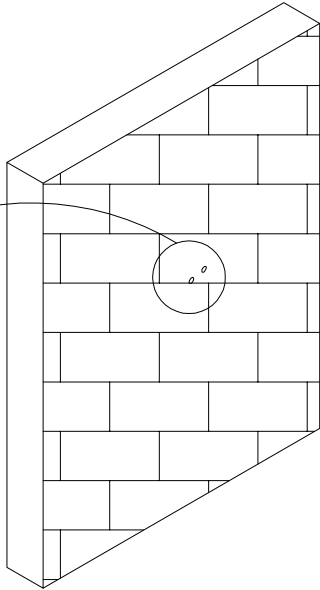
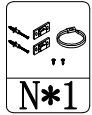


step 14



step 15





Installation instructions for furniture anti-tip device



Warning: Tip-Over Hazard!

1. Dangerous tipping may occur, potentially causing death or serious injuries.
2. Prevent tip-over: Use tip-over restraint device provided. Secure to wall where possible.
3. Instructions: Follow the detailed installation instructions.
4. In Emergency: Here's what you should do in the event that the furniture tips over.
Stay Calm: Try to keep calm and assess the situation.
Seek Help: If the situation is serious, immediately dial the emergency services number for medical assistance.
5. If you have any questions, please contact us immediately.

