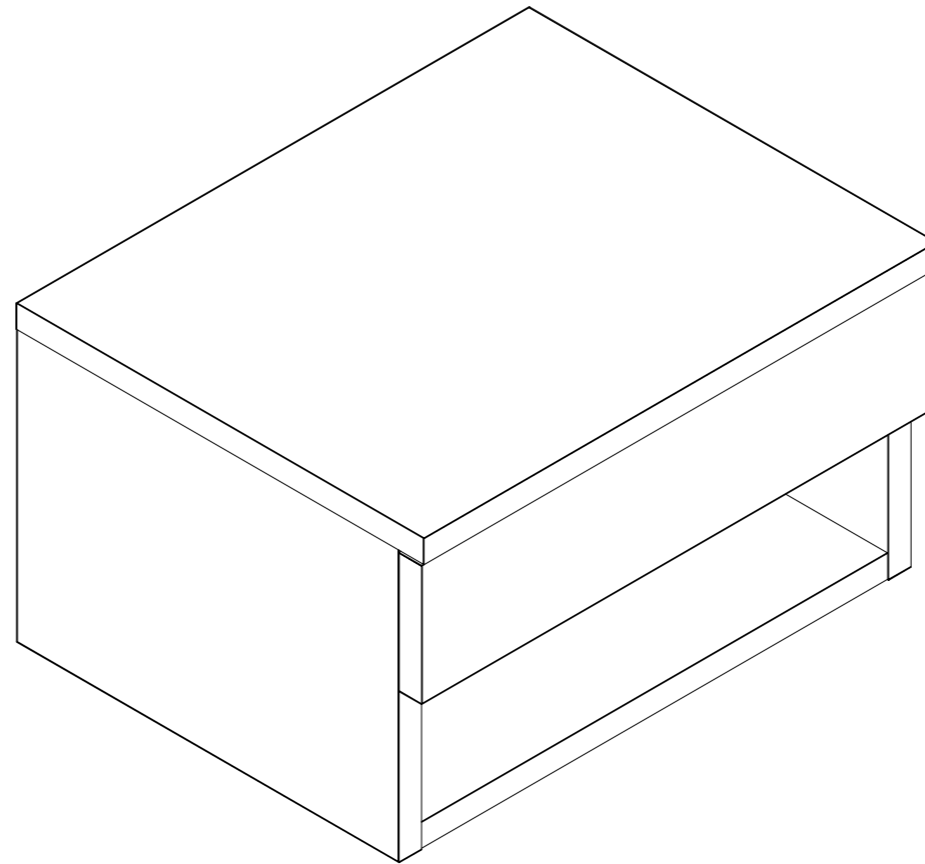




MODEL# NST2002

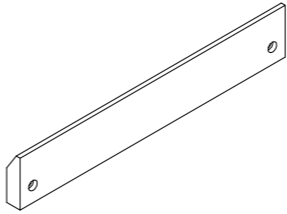
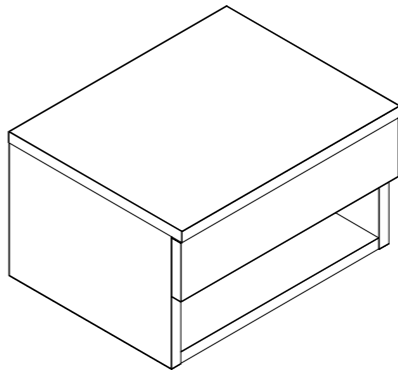
Product Dimension: 12.5"D x 15.75"W x 9"H

Weight Capacity : 30 Lbs

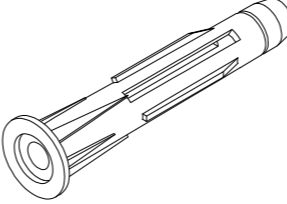
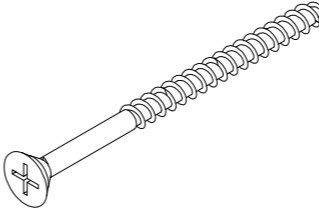
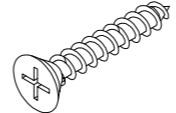


If there are any questions relating to defects, missing parts, assembly issues or replacements, please send a detailed email to cs@jonathany.com.

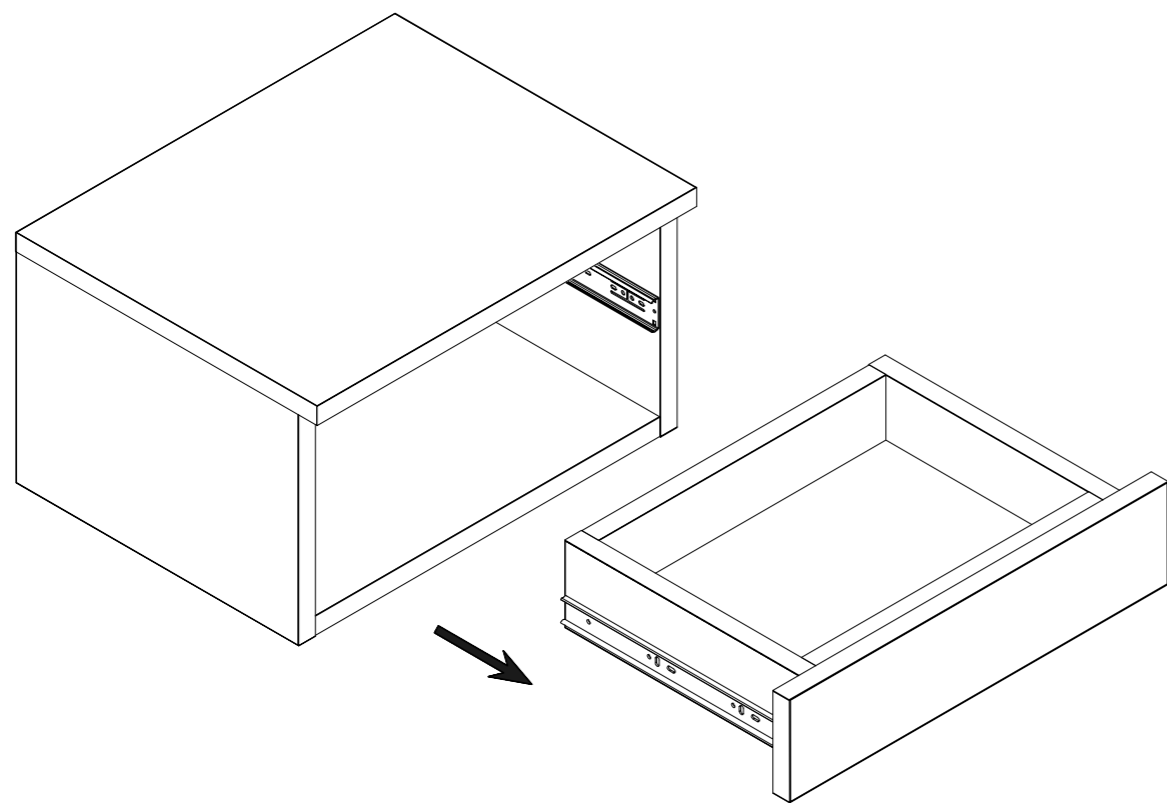
Part List

PIECE	DESCRIPTION	PICTURE	QUANTITY
A	French Cleat Wall		1x
B	Cabinet		1x

Hardware List

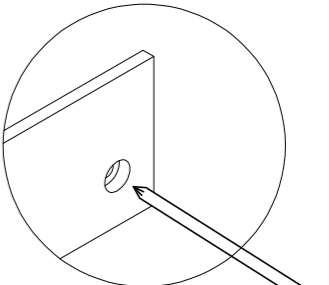
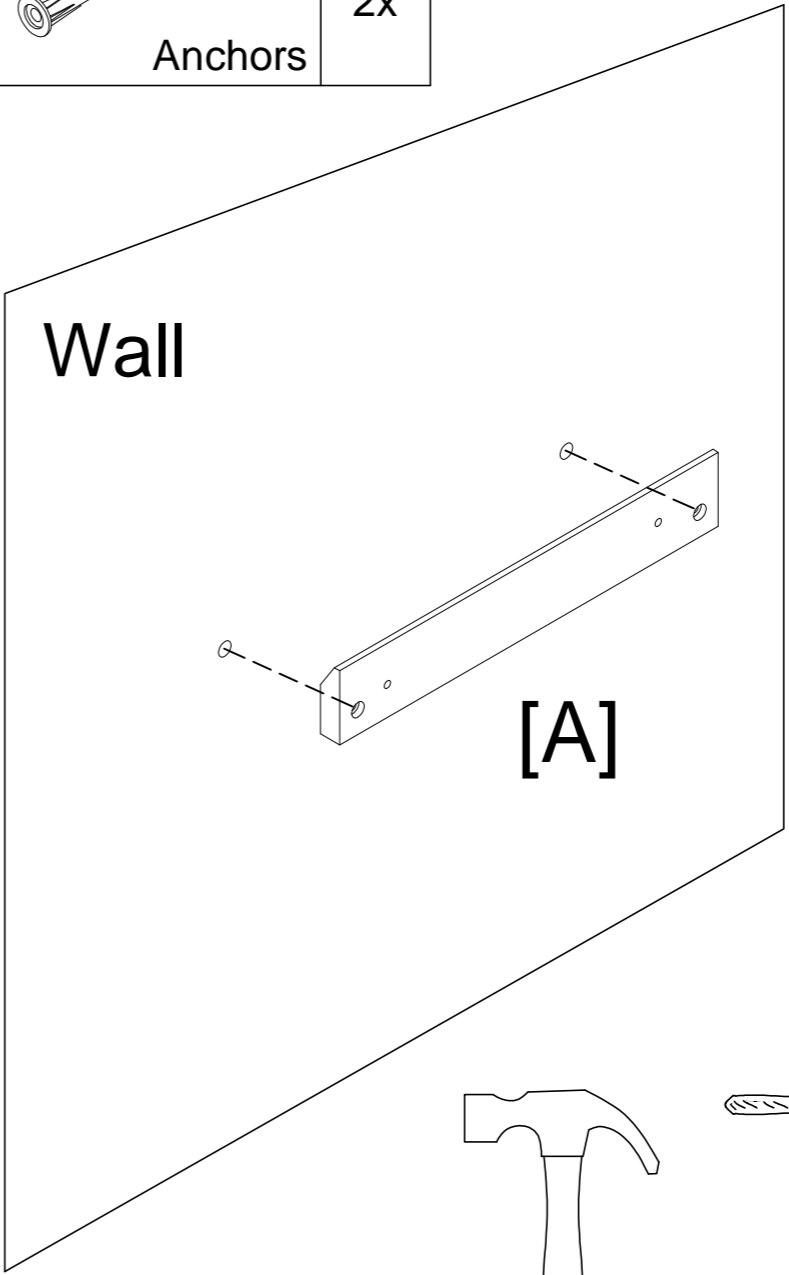
PIECE	DESCRIPTION	PICTURE	QUANTITY
1	Anchors		2x
2	Screw M6x70		2x
3	Screw M4x25		2x

1

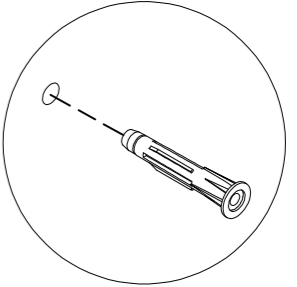


2

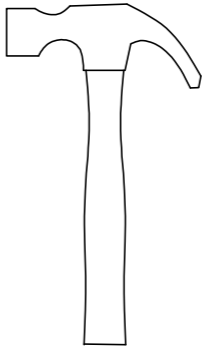
1		2x
Anchors		



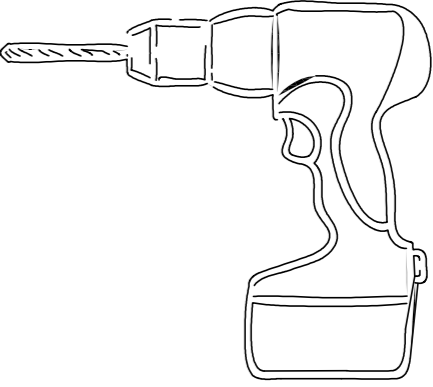
Mark where holes need to be drilled



Tap the wall anchors into place in the new holes that you just drilled.



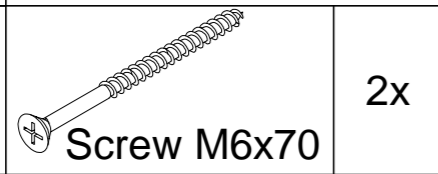
Hammer



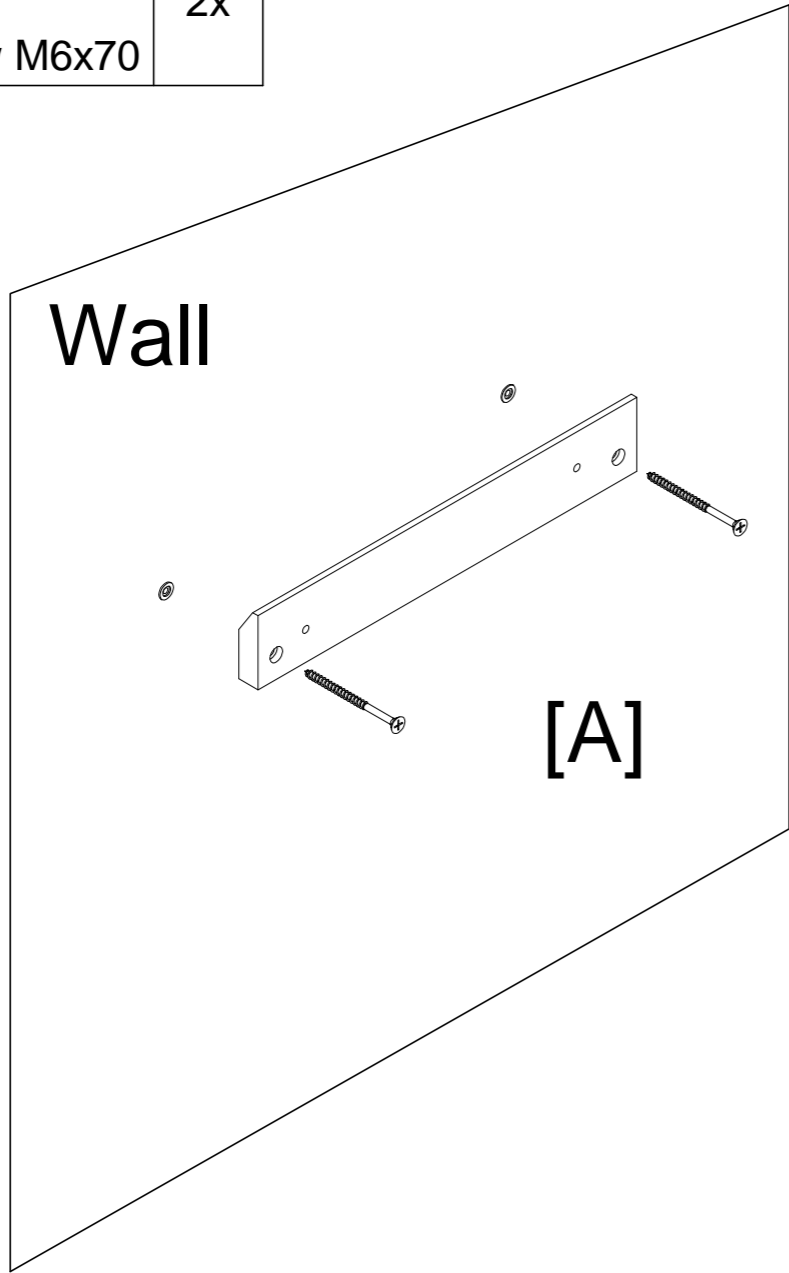
Drill Machine

3

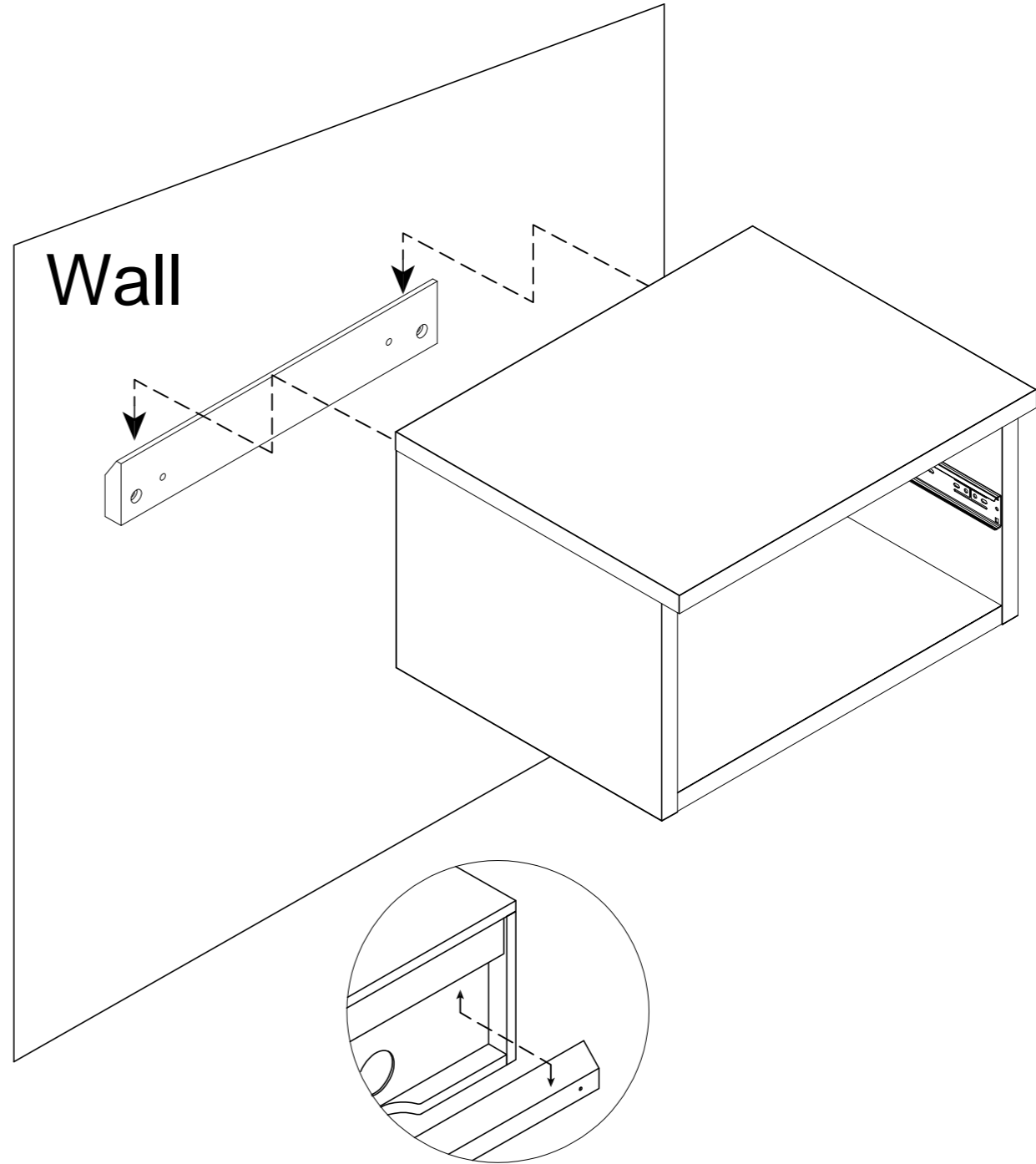
2



2x

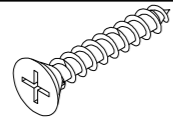


4



5

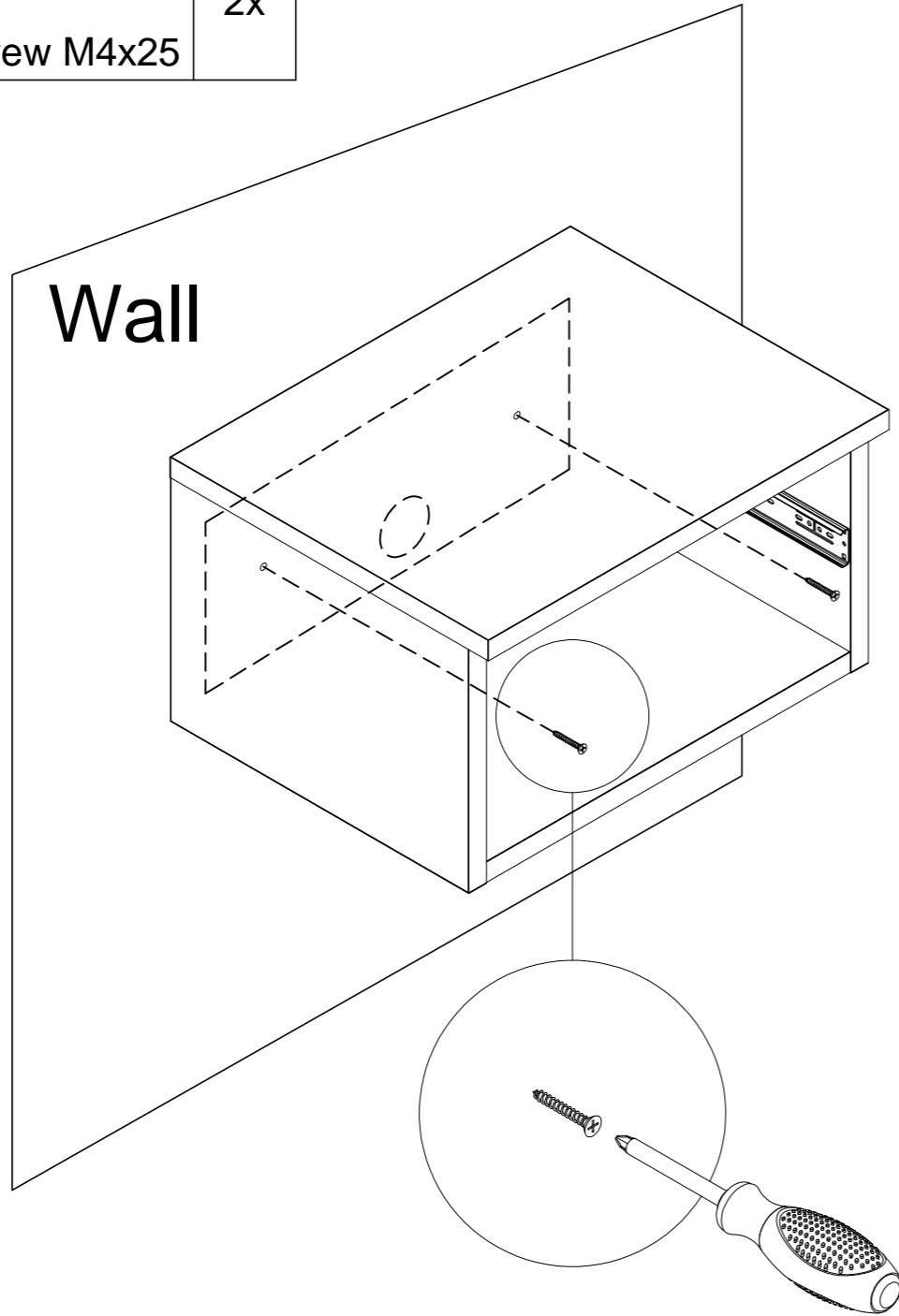
3



Screw M4x25

2x

Wall



6

