

# Assembly Instruction

**Tools Required:** Flathead screwdriver, Phillips screwdriver, pliers, wire cutters, wire strippers, electrical tape, safety glasses.  
Integrated 18W LED

**Estimated Assembly Time:** 20-30 minutes

**Preparation:** Identify and inspect all parts before beginning installation. Check package content list and diagrams below to be sure all parts are present. If any parts are missing or damaged, do not attempt to assemble, install, or operate the fixture. Contact customer service for replacement parts.

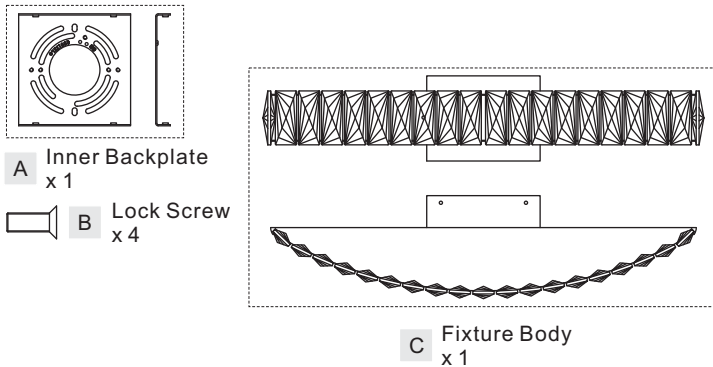
## ⚠ Warnings and Cautions

Turn off electricity at circuit breaker or main fuse box before installation. Consult a licensed electrician if in doubt.

These instructions are provided for your safety. It is very important you read them completely before installing the fixture. We strongly recommend that a licensed, professional electrician perform the installation.

Disconnect fixture from power source before replacing bulbs. Make sure bulbs are given sufficient time to cool before removal. Do not subject glass parts to any shock while in operation or shattering may result.

## Package Contents



## STEP 3 - Install Fixture Body

A. Attach Fixture Body (C) over Inner Backplate (A) and secure with Lock Screws (B). Tighten until snug with screwdrivers.

Your fixture is now assembled and ready to use. Enjoy!

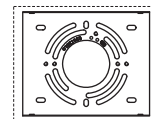
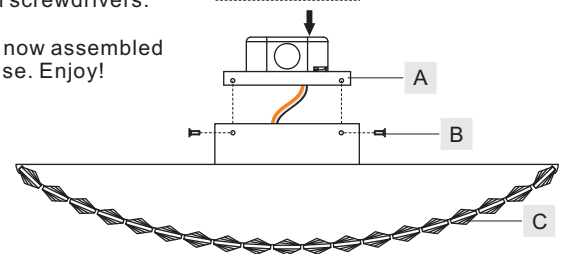


Figure 3



## STEP 1 - Install Inner Backplate

A. Pass the supply wires through Inner Backplate (A). Attach Inner Backplate (A) to Outlet Box with the head of Green Ground Screw facing you. Secure it with Outlet Box Screws (not included).

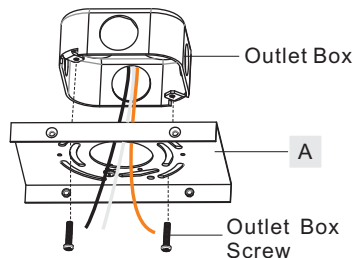


Figure 1

## STEP 2 - Wire Connections

A. Use standard wire connectors (not included) to make all wire connections. (Connectors are not included with fixture.) Twist connectors until wires are tightly joined together. Wrap each connection with approved electrical tape and carefully stuff all the connected wires between Inner Backplate (A) and Fixture Body (C).

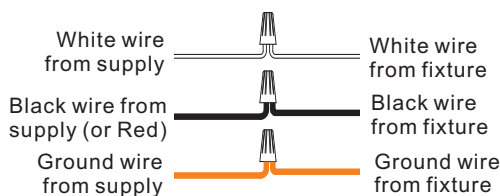


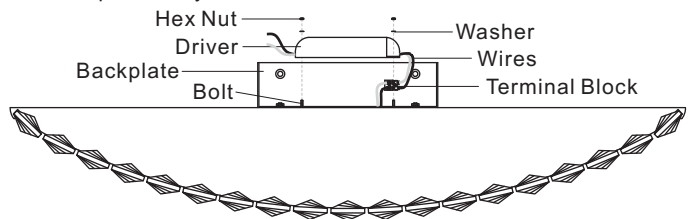
Figure 2

## CAUTION FOR BULB REPLACING

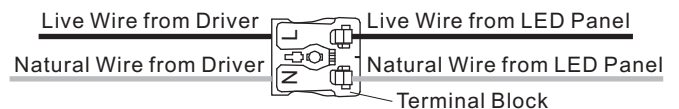
When replacing bulbs, turn off power and allow lamp to cool. For safety purpose, wear gloves and eye protection.

## How To Replace Driver

A. Disconnect the fixture from the outlet box.  
B. Unplug Driver wires from the Terminal Block by pressing the tabs on the Terminal Block. Unlock Hex Nuts and Washers on the side of the Driver and replace the Driver with a new one. Tighten the new Driver with the previously removed Washers and Hex Nuts.

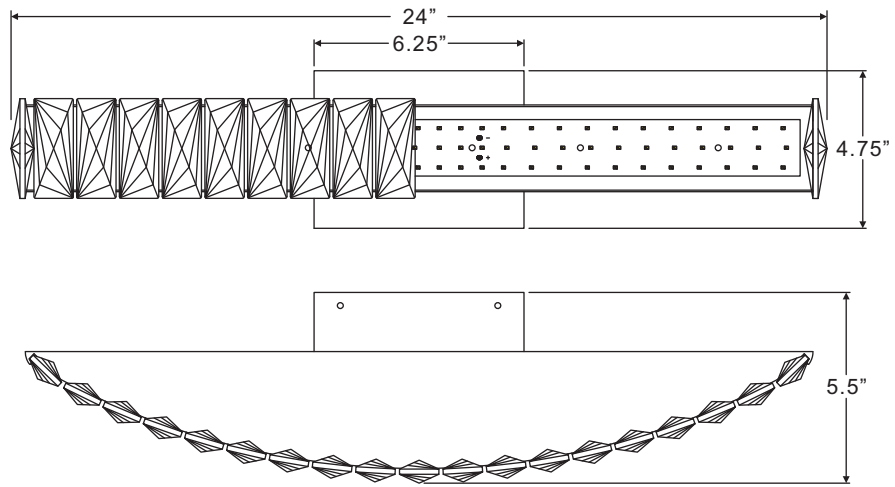
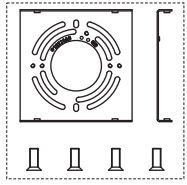


C. Connect the Live Wire from Driver to Port "L" on the Terminal Block, which is the corresponding port of the Live Wire from LED Panel. Connect the Natural Wire from Driver to Port "N" on the Terminal Block, which is the corresponding port of the Natural Wire from LED Panel.



D. Return to Step 2 to complete the installation of the fixture.

FINISH: POLISHED CHROME



NO.	PART NUMBER	REPLACEMENT PART	QTY.
1			

NOTE: ALL DIMENSIONS ARE ROUNDED UP TO THE NEAREST 1/4"