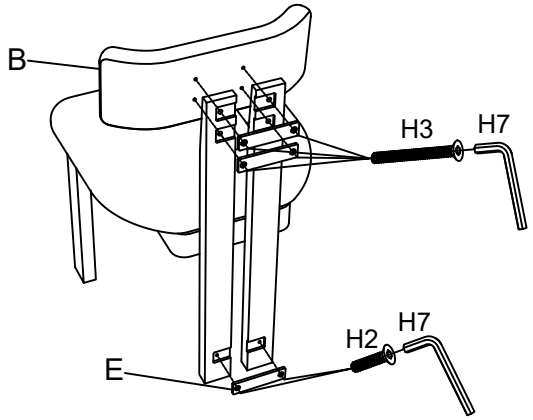
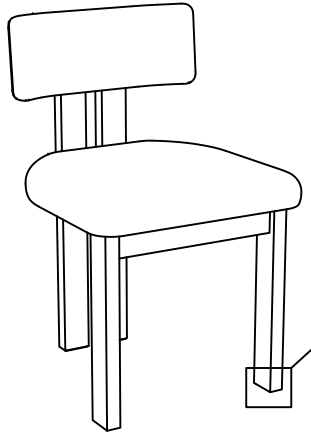


4

- H2×2pcs  
M6×20mm
- H3×4pcs  
M6×55mm
- H7×1pc  
M6



5

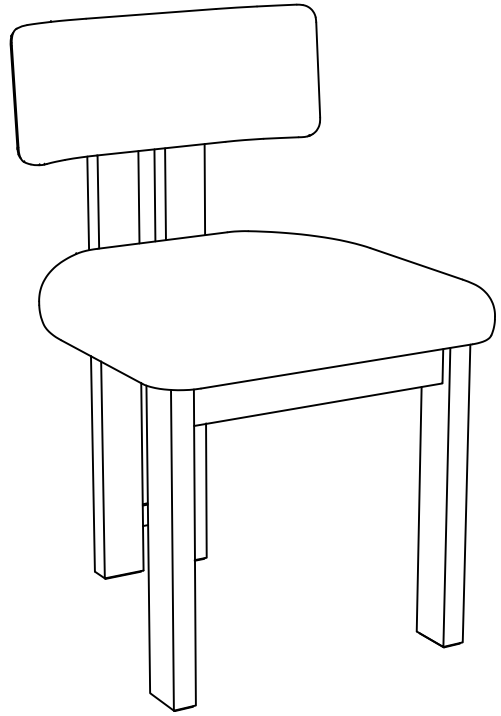


Adjust the glider if the chair is unbalance.


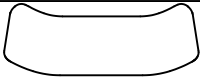
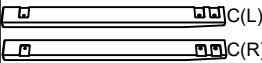
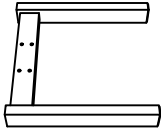
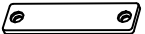
Put the chair on a level surface and press the chair to be leveled, then fully tighten all the bolts.

# ASSEMBLY INSTRUCTION


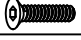






Dining chair  
TN-1936



# Component List

LABEL		DESCRIPTION	QTY
A		Seat	1
B		Back	1
C		Back leg	2
D		Front Leg	1
E		Metal connect	3

# Hardware List

LABEL		DESCRIPTION	QTY
H1		Adjust gliders	2
H2		Bolts M6x20mm	2
H3		Bolts M6x55mm	4
H4		Bolts M8x50mm	8
H5		Spring washer M8	8
H6		Flat washer M8x22x1.5mm	8
H7		Allen key M6	1
H8		Spare foot pad	2

