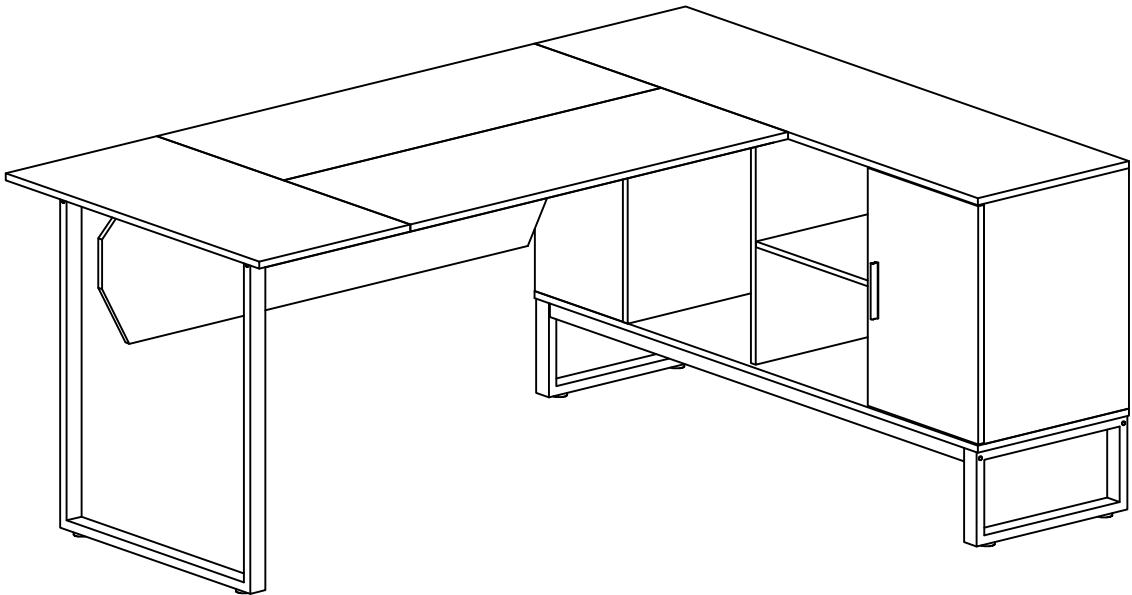


Assembly Instructions

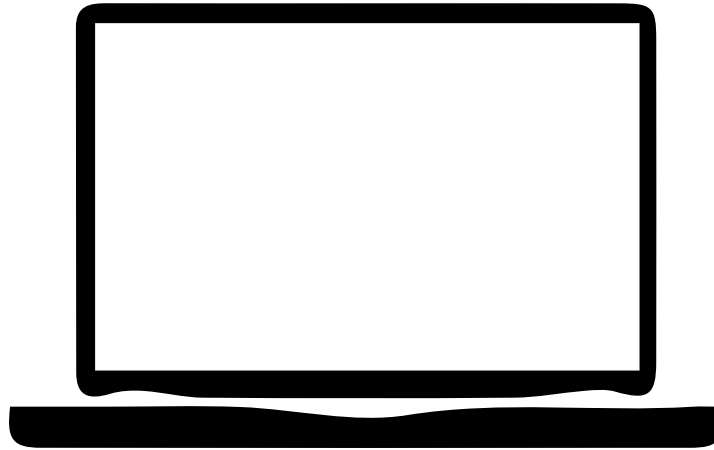


Multifunctional Computer Desk

Call us!

We're here to help!

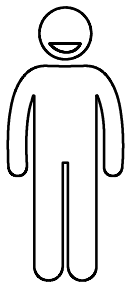
If you have any issues with this product, please contact our customer service team **before returning** it.



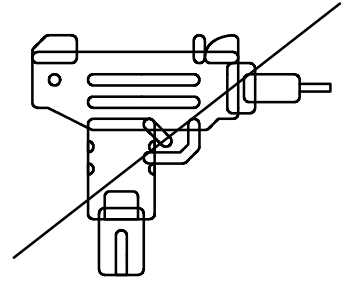
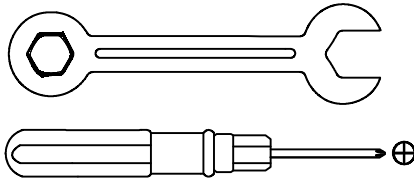
We want you to be completely satisfied with your purchase! If anything is missing, damaged, incorrect, or not what you expected, don't worry. Please keep the outer packaging and take photos of both the packaging and products, and then reach out to us or call us. We'll take care of everything and send you a free replacement, so you can enjoy your purchase as soon as possible without any hassle.

Assembly Instructions:

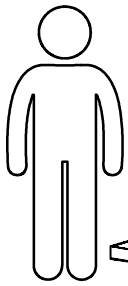
1. Carefully read these instructions and keep them for future reference.
2. Refer to the parts list for guidance and ensure that you have all the pieces before starting the assembly process, if anything is missing, damaged, incorrect, contact us **FIRSTLY BEFORE** assembling.
3. When assembling, place all parts on a soft, clean, and flat surface, such as a carpet, to prevent any scratches.
4. To avoid misalignment of the holes, Please don't full tighten the screws until you ensure all parts in place.



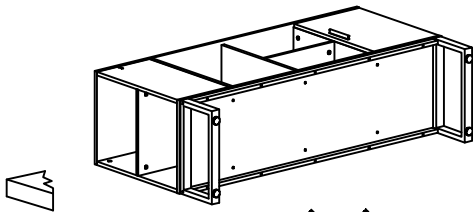
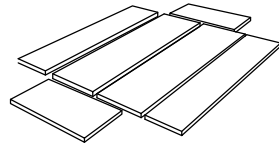
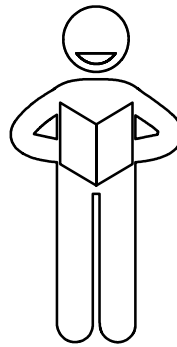
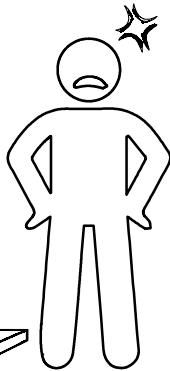
X2



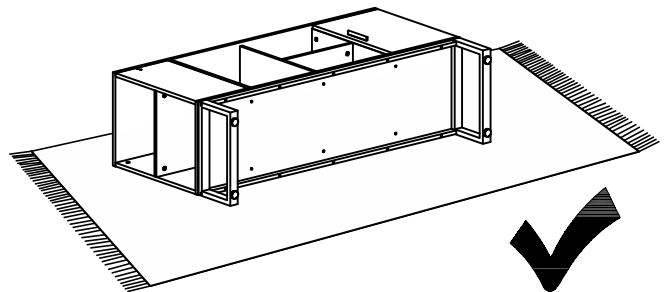
When using the electric screwdriver ,
Reduce the power and torque to avoid damaging the furniture



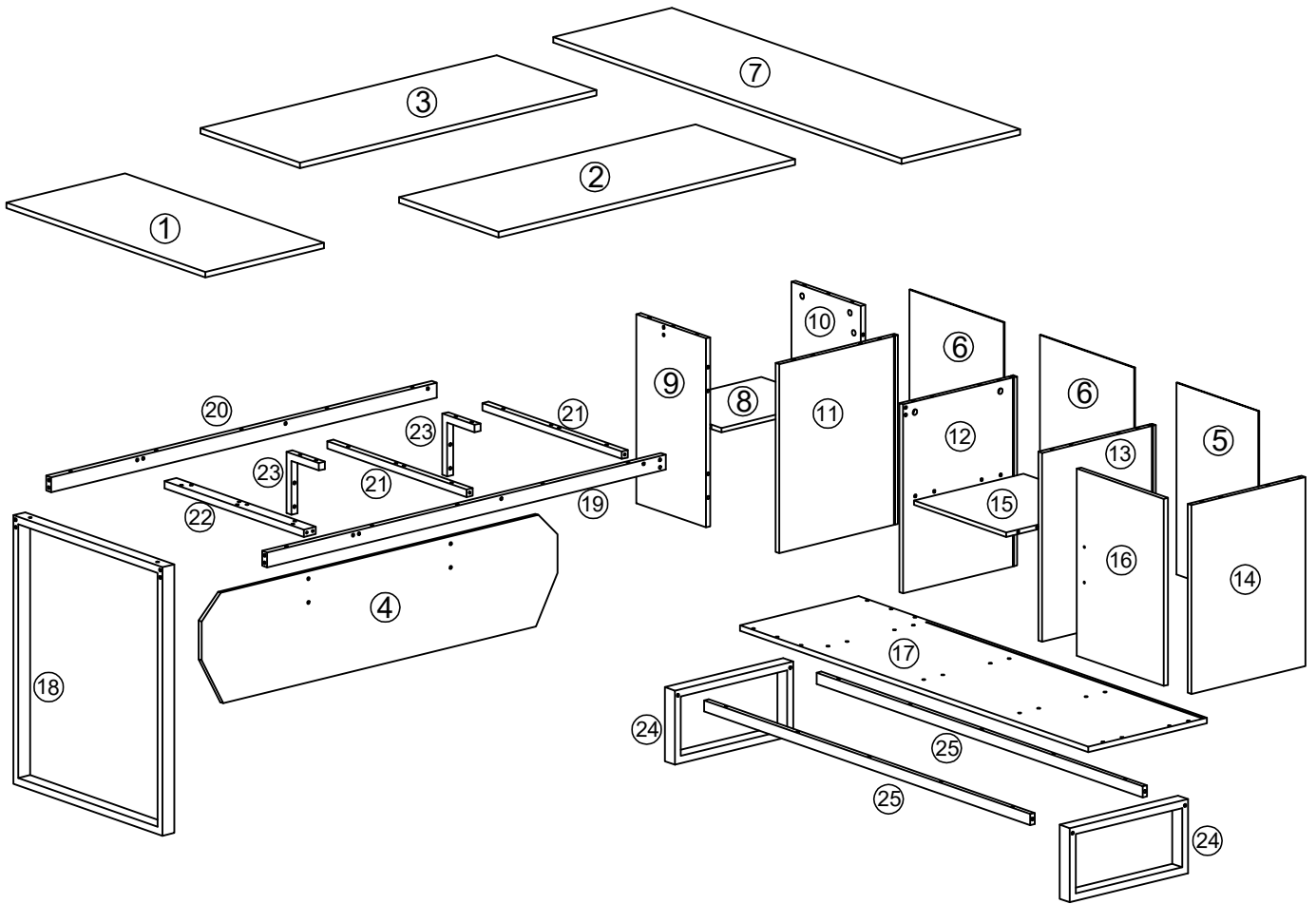
?



X



✓



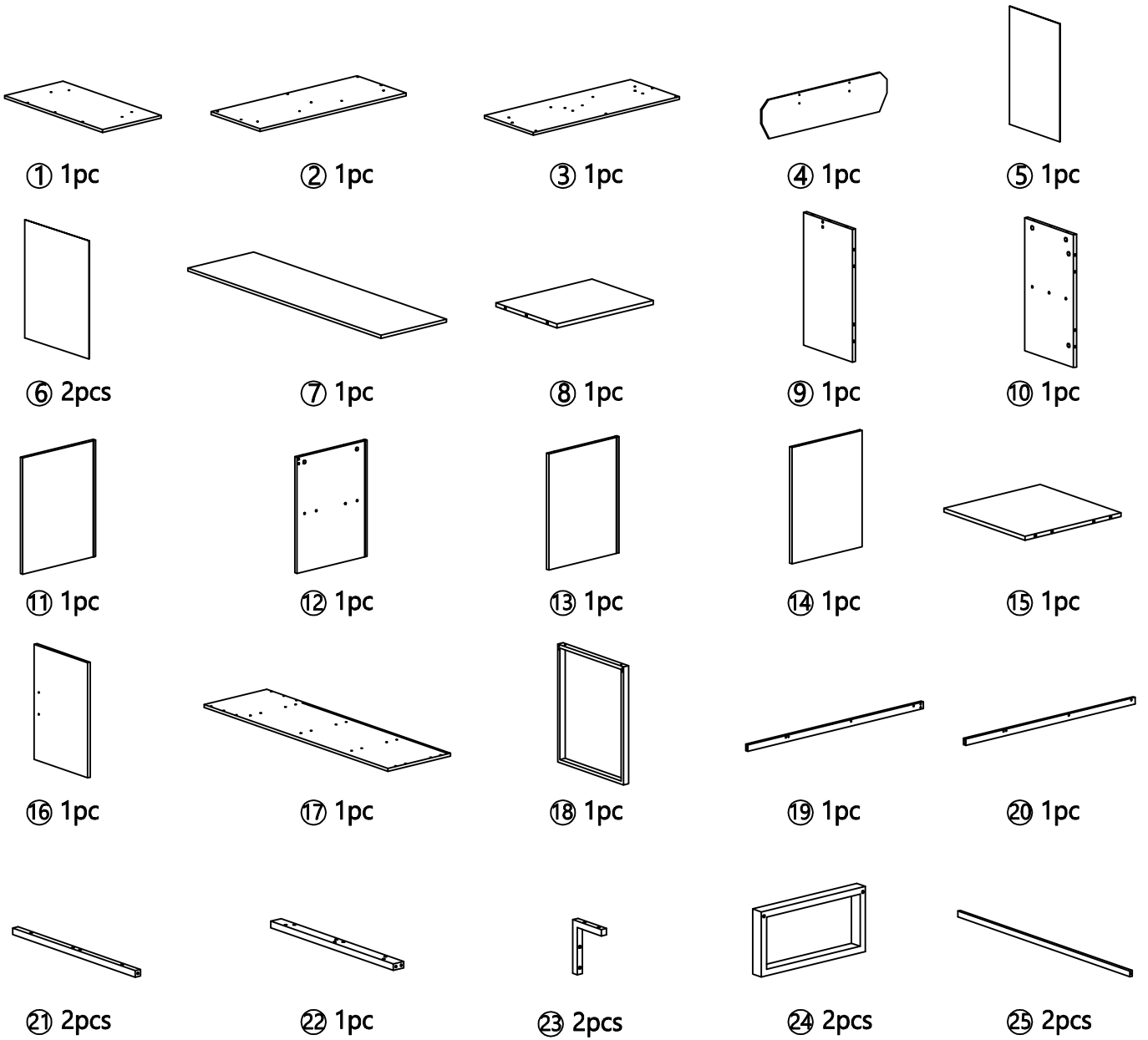
PART NO.	QUANTITY
②	1
③	1
④	1
⑦	1
⑰	1
⑱	1
⑳	1
㉑	1
㉒	1
㉓	2

PART NO.	QUANTITY
①	1
⑤	1
⑥	2
⑧	1
⑨	1
⑩	1
⑪	1
⑫	1
⑬	1
⑭	2
⑮	1
⑯	1
㉔	2
㉕	2

⚠ Caution

Make sure all parts are included. Most board parts are labeled or stamped on the raw edge. Contact us for free replacement if having damaged or missing parts.

Parts & Hardware List

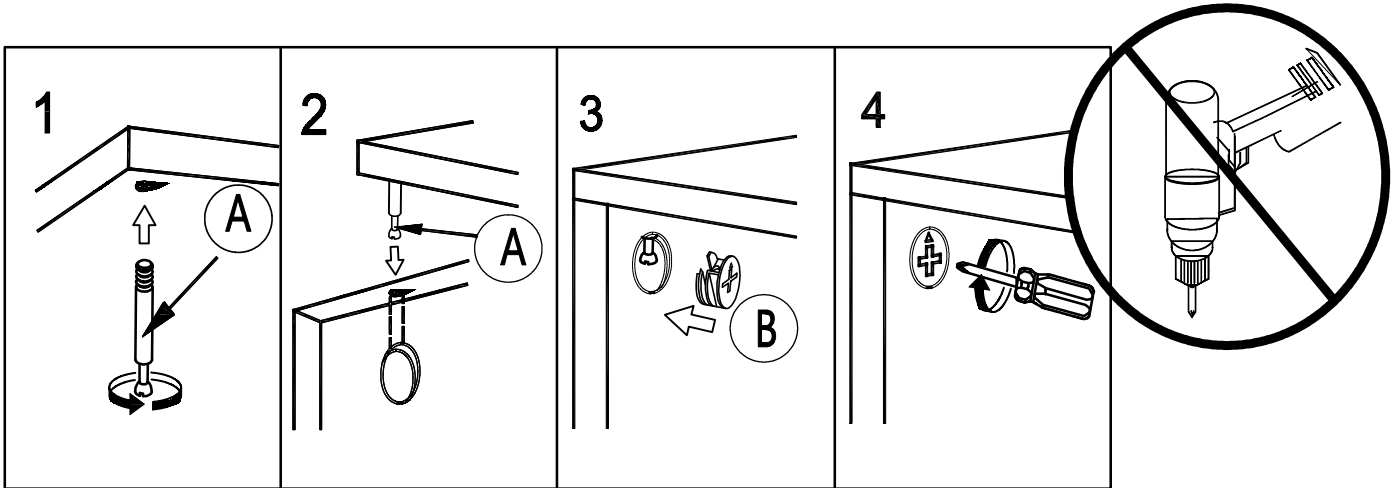


Hardware List

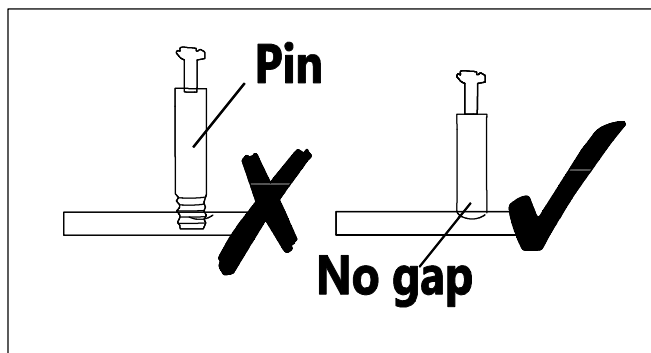
A	X24+1	B	X16+1	C	X8+1	D	X30+1	E	X12+1	F	X1	G	X12+1	H	X4+1
φ6X35mm	Ø15X12mm	Ø15X10mm	Ø8X30mm	φ7X47mm	M4X64mm	3.5X14mm	M6X28mm								
I	X23+1	J	X20+1	K	X10+1	L	X8+1	M	X1	N	X2+1	O	X6	P	X2
M6X30mm	M6X38mm	M6X50mm	M6X60mm	106X16X8mm	M4X18mm	M6XØ32mm									

Installation of Cams and Pins

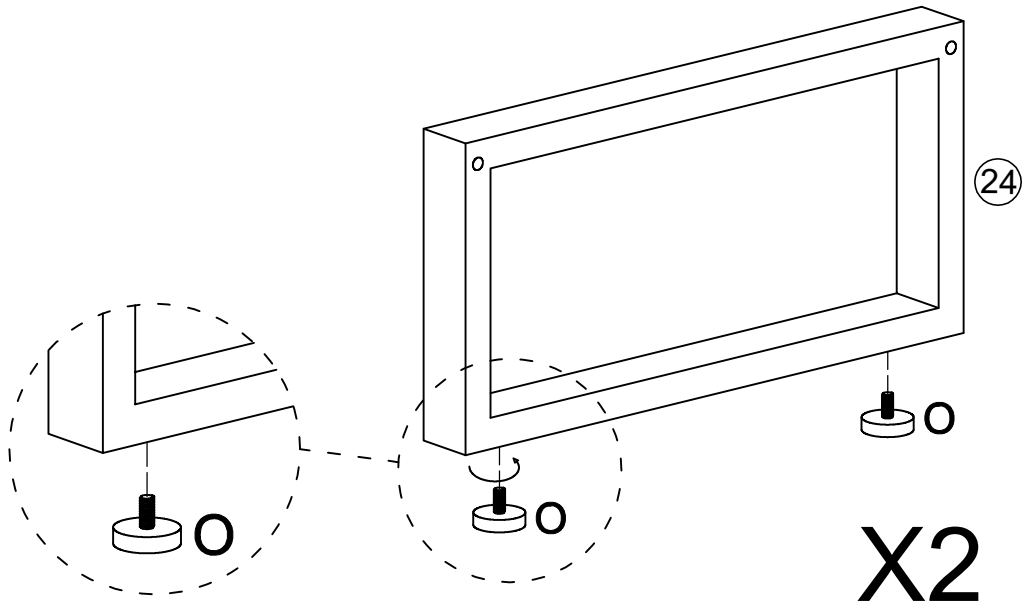
Screw the pin into the hole. To set the cams correctly, ensure that the arrow on the cam is opening to the hole of the pin it is locking. Lock the cam by turning the cam head with a screwdriver until it is tightened. Please do not use an electric screwdriver to assemble the unit.



Read each step carefully before starting. It is very important that each step of instruction is performed in the correct order. If these steps are not followed in sequence, assembly difficulties will occur.



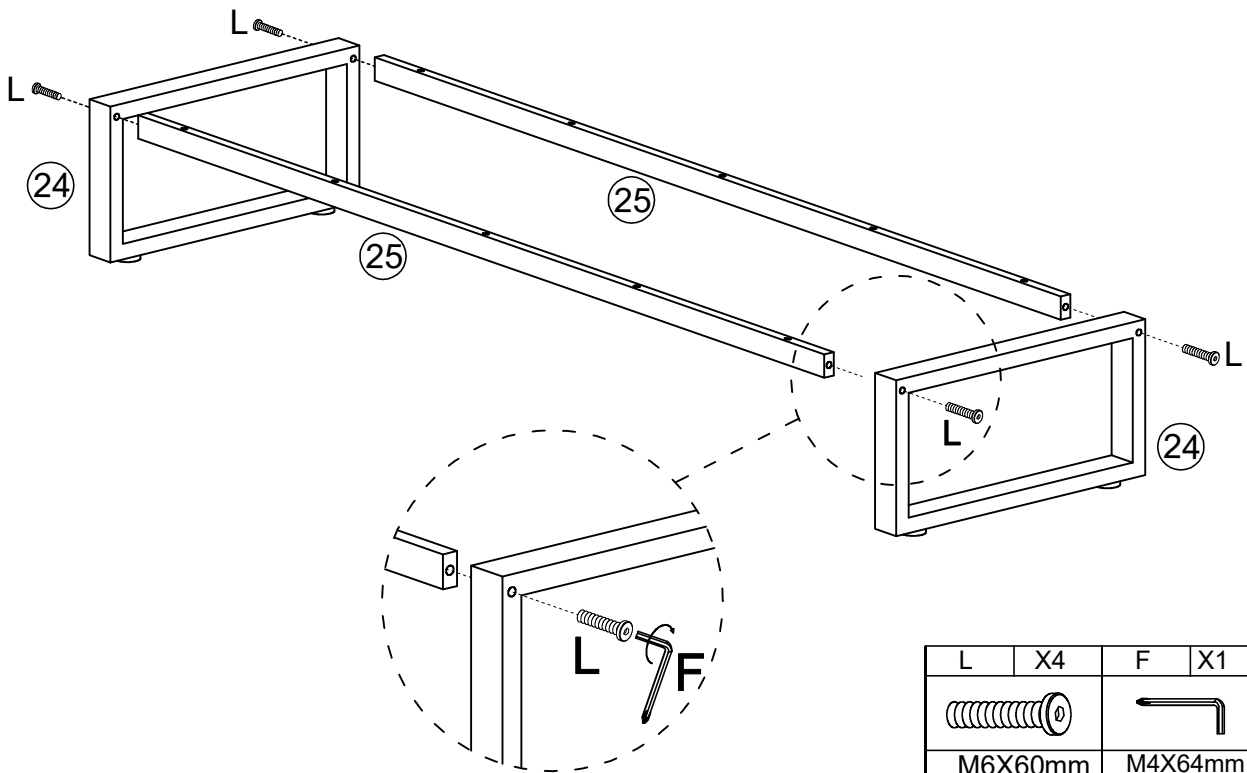
1



O	X4
M6XØ32mm	

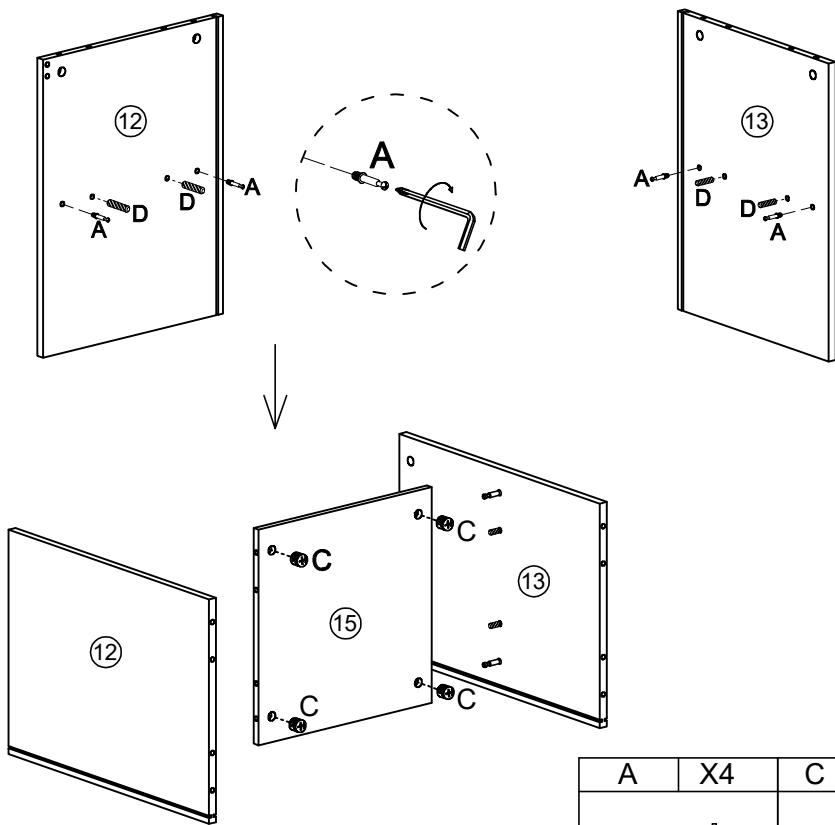
2

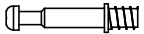


screw down



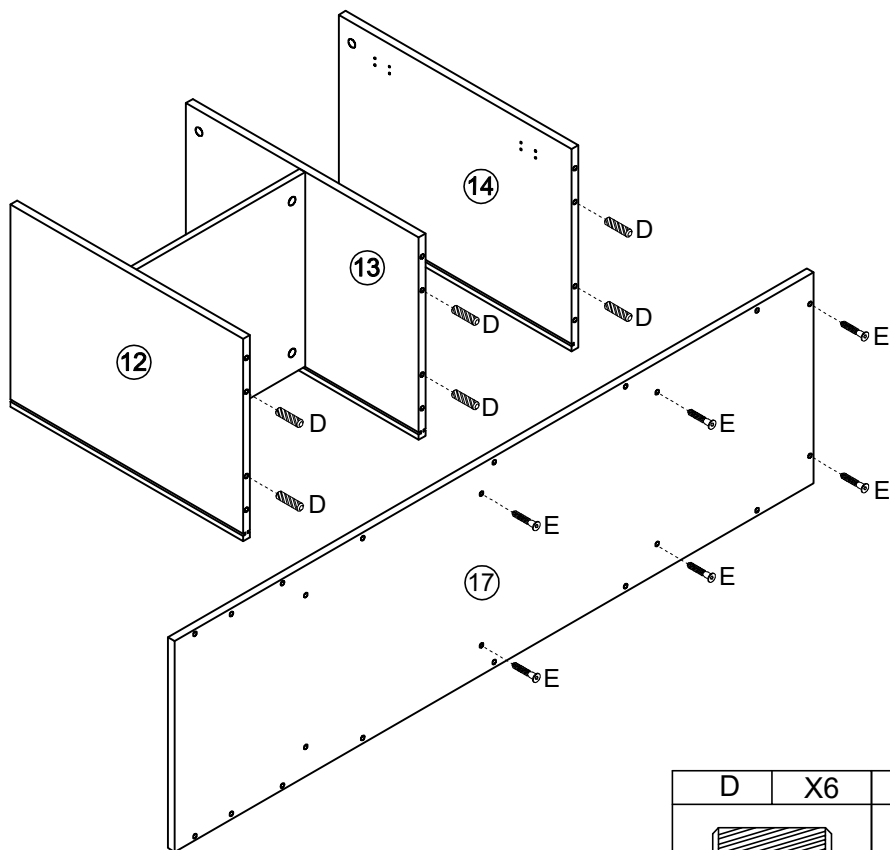
L	X4	F	X1
M6X60mm		M4X64mm	


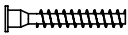
3



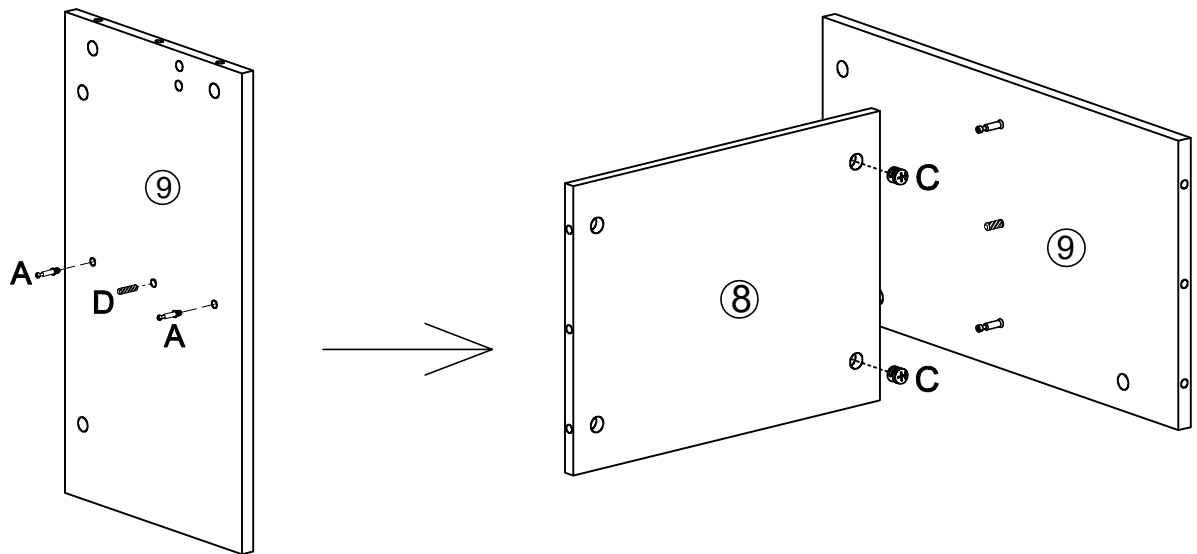
A	X4	C	X4	D	X4
					
φ6X35mm		Ø15X10mm		Ø8X30mm	

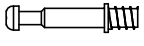


4



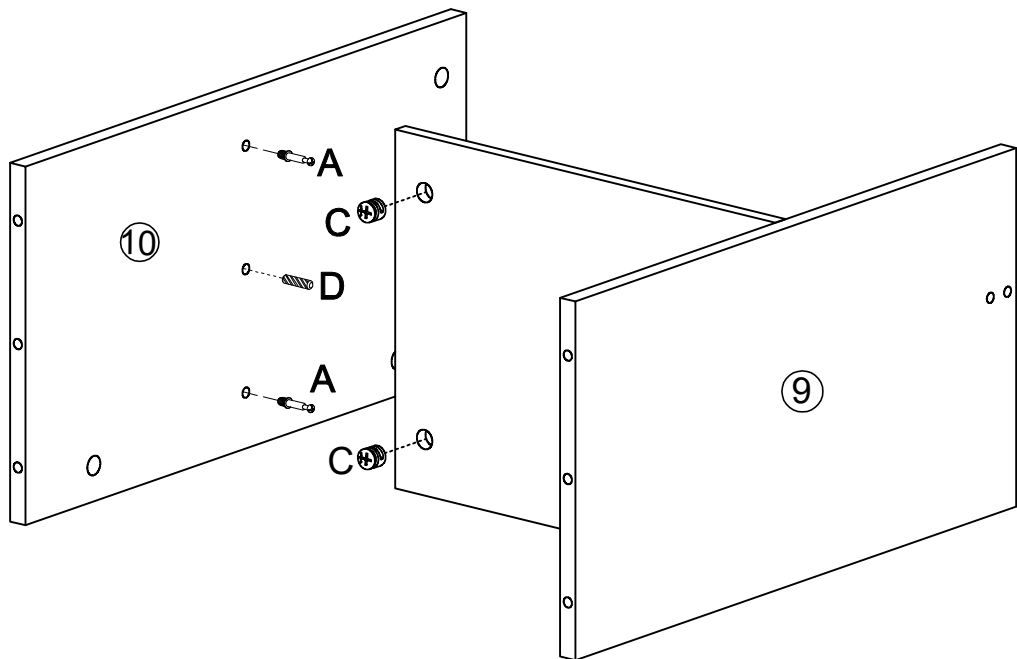
D	X6	E	X6
			
φ8X30mm		φ7X47mm	

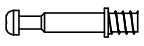


5



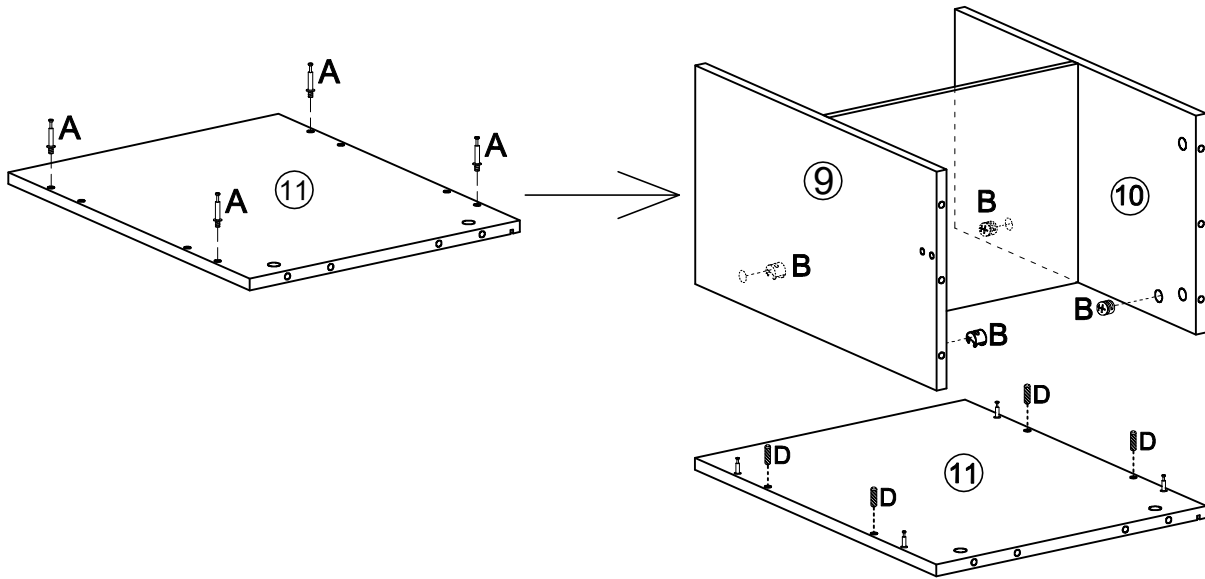
A	X2	C	X2	D	X1
					
φ6X35mm		Ø15X10mm		Ø8X30mm	

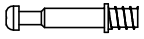


6



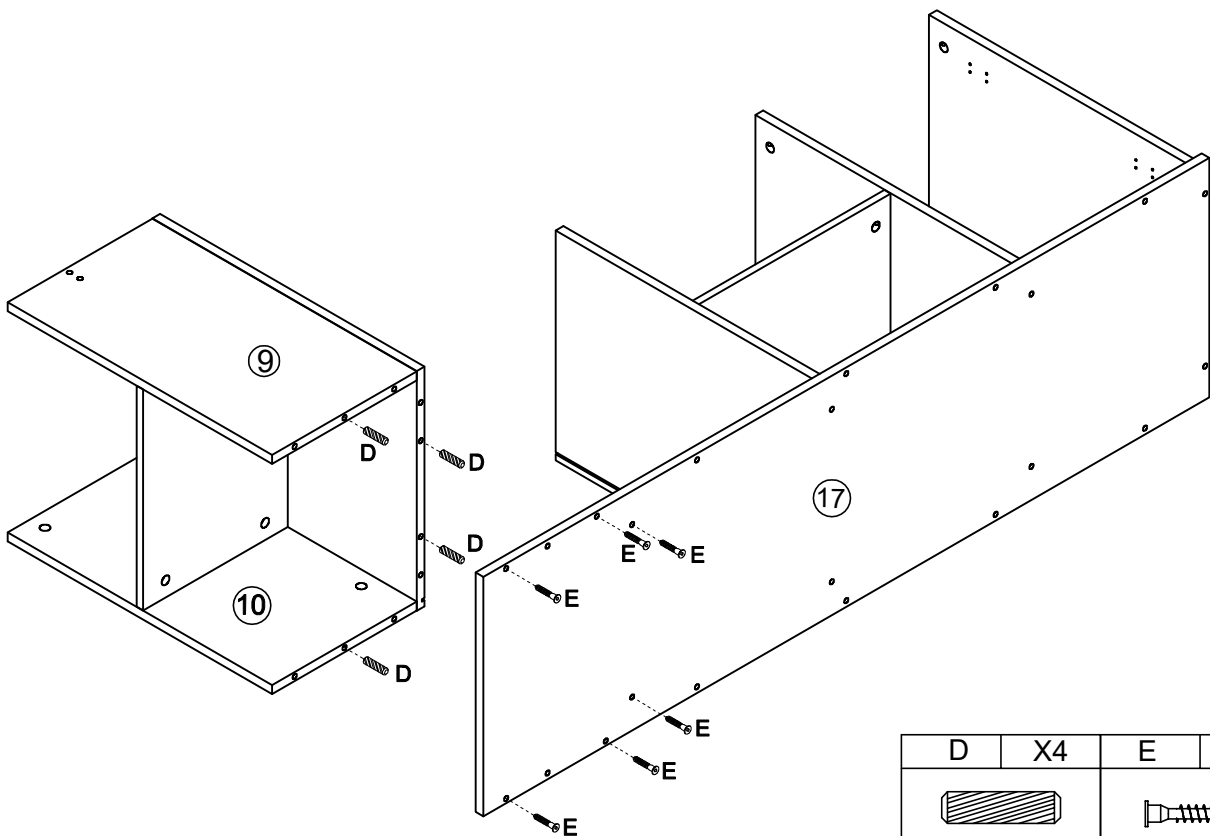
A	X2	C	X2	D	X1
					
φ6X35mm		Ø15X10mm		Ø8X30mm	


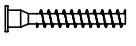
7



A	X4	B	X4	D	X4
					
φ6X35mm		Ø15X12mm		Ø8X30mm	

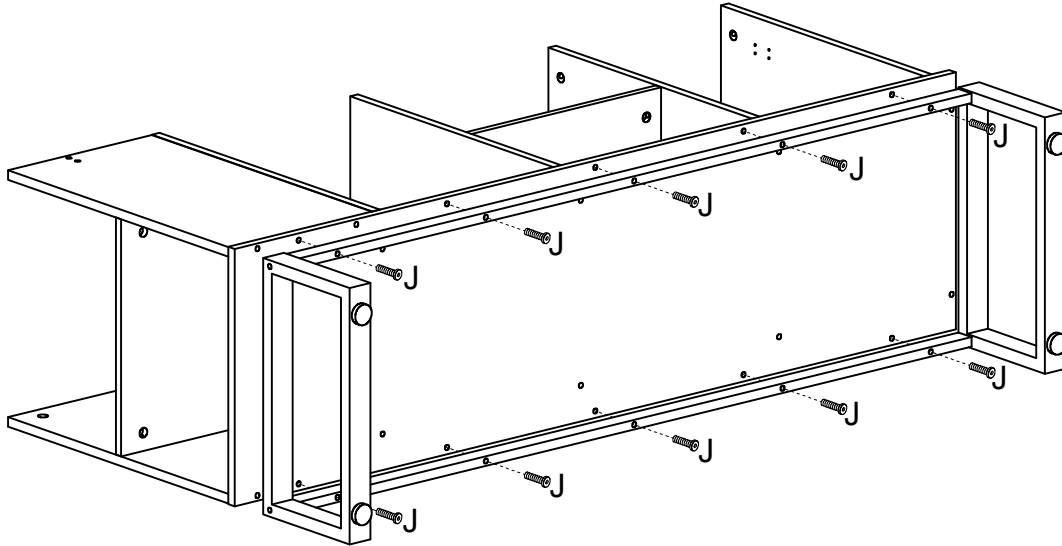
8



D	X4	E	X6
			
φ8X30mm		φ7X47mm	

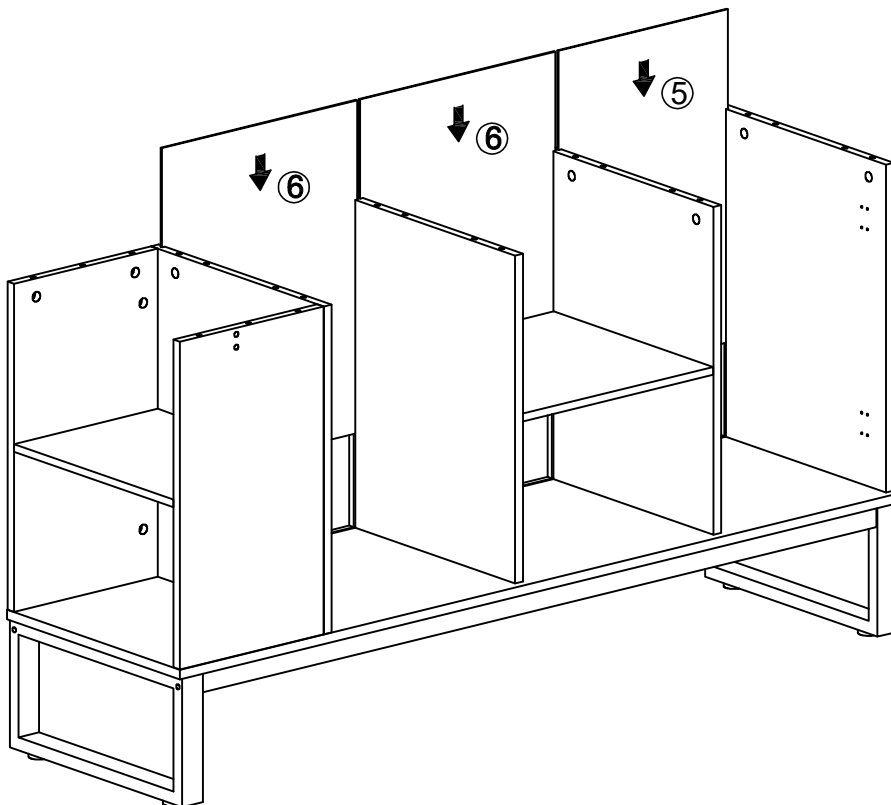
9

screw down



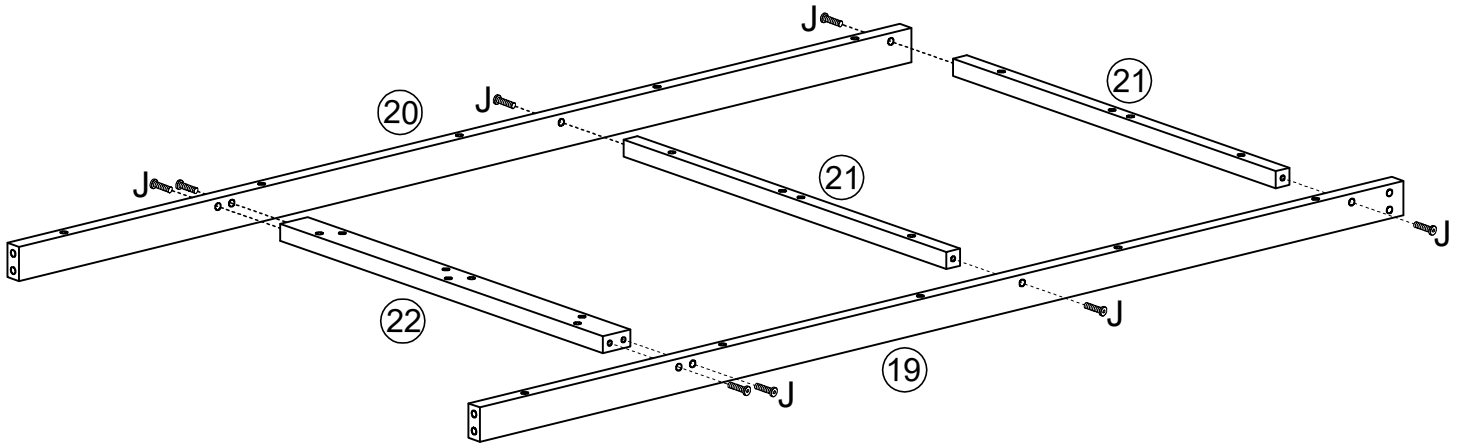
J	X10
A small icon of a screw with a hexagonal head and a threaded shaft.	
M6X38mm	

10



11

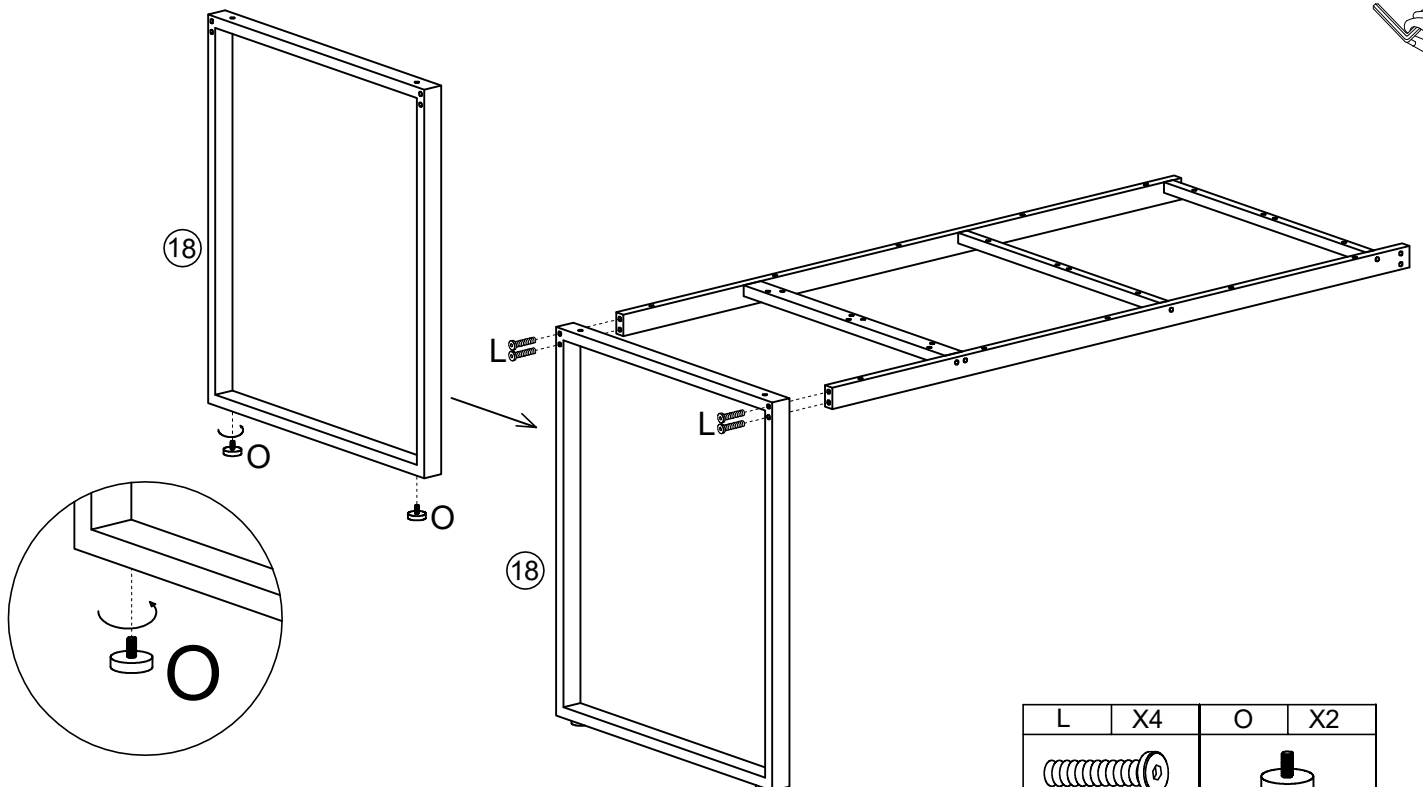
pre-drill 70%



J	X8
M6X38mm	

12

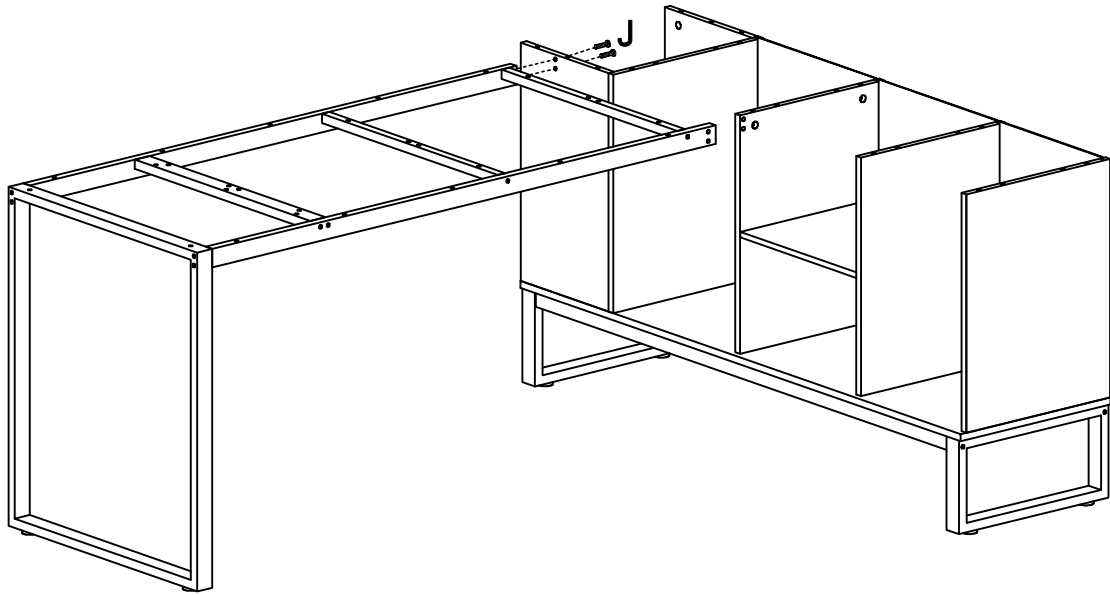
pre-drill 70%

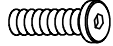


L	X4	O	X2
M6X60mm		M6XØ32mm	

13

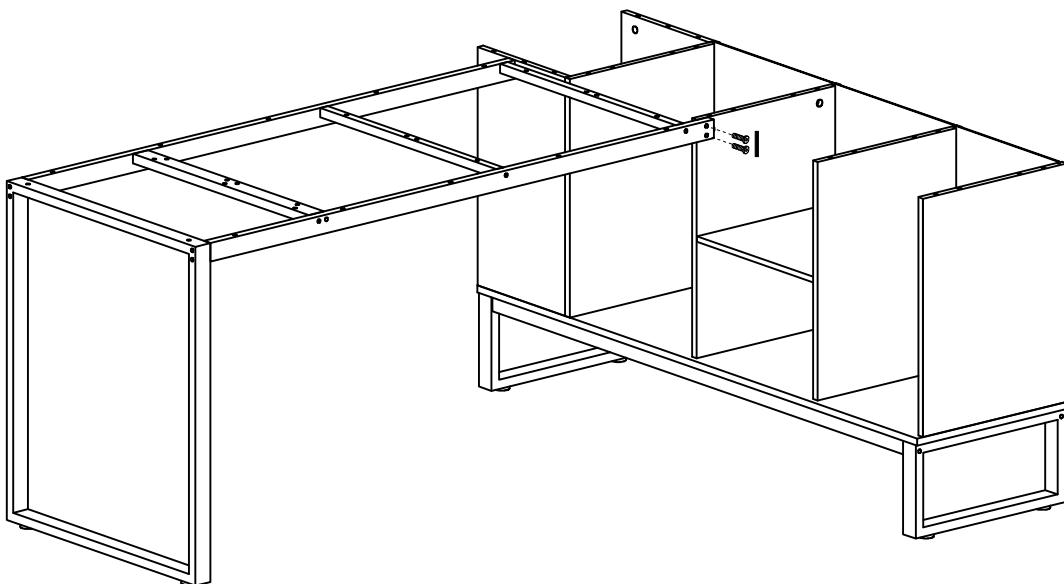
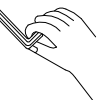
pre-drill 70%




J	X2
	
M6X38mm	

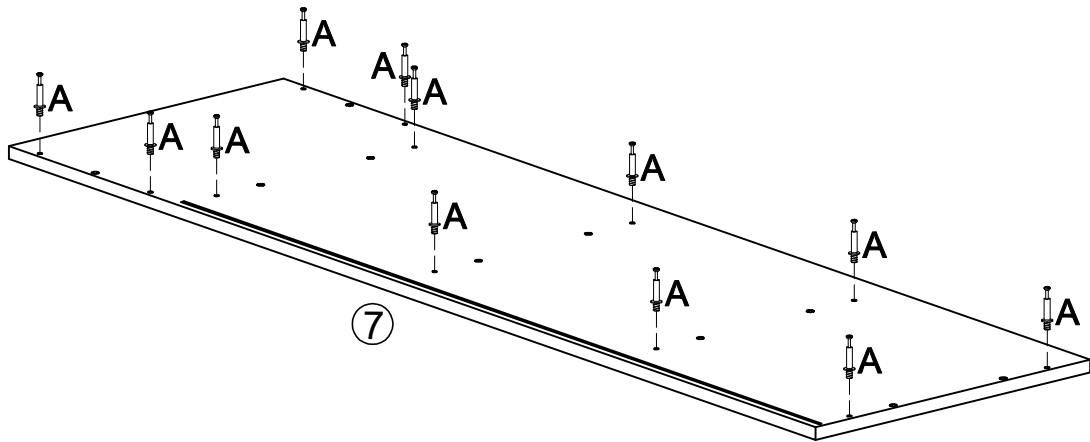
14

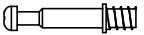
screw down



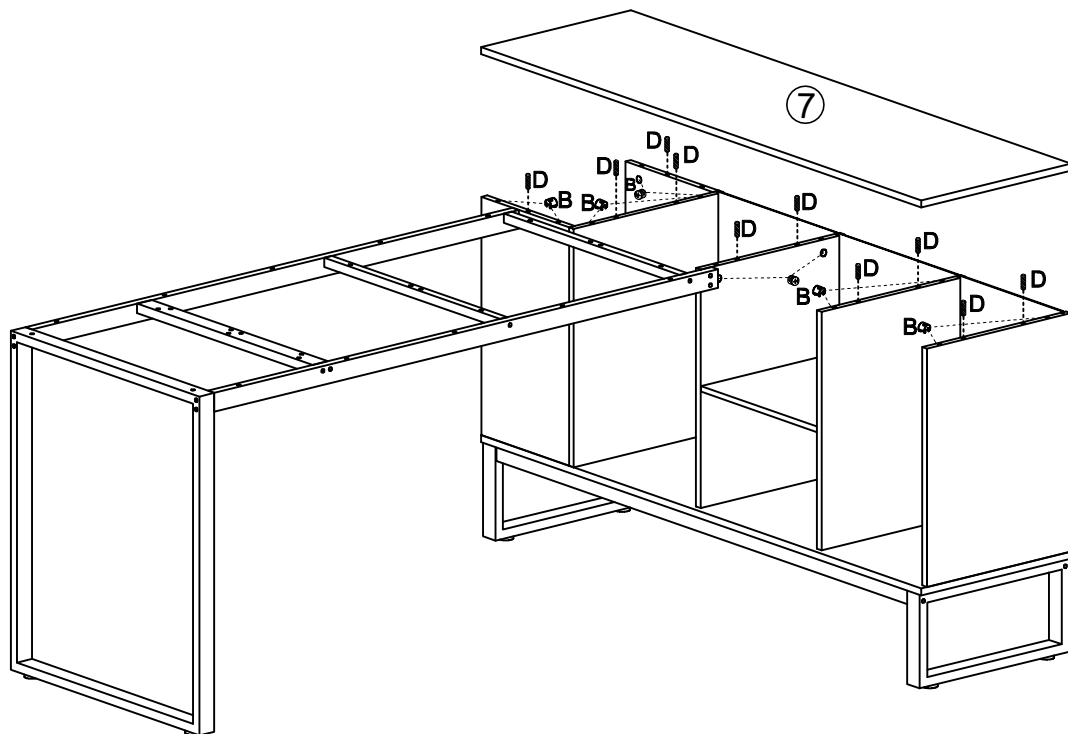
I	X2
	
M6X30mm	



15



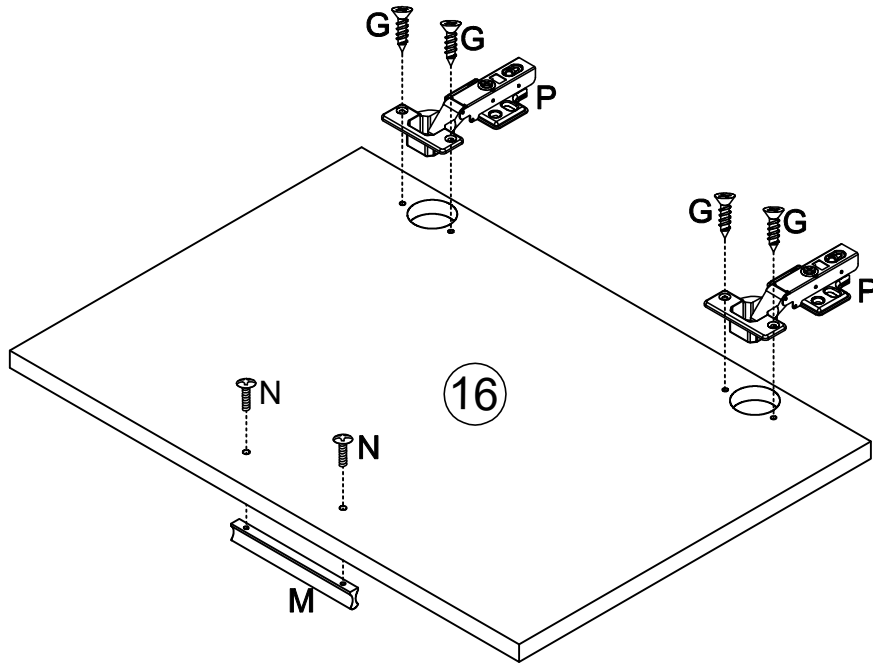
A	X12
	
φ6X35mm	





16



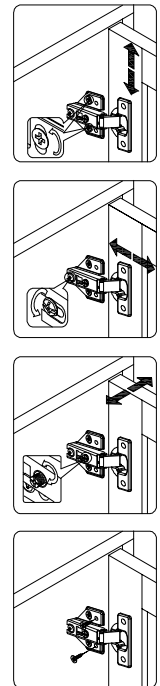
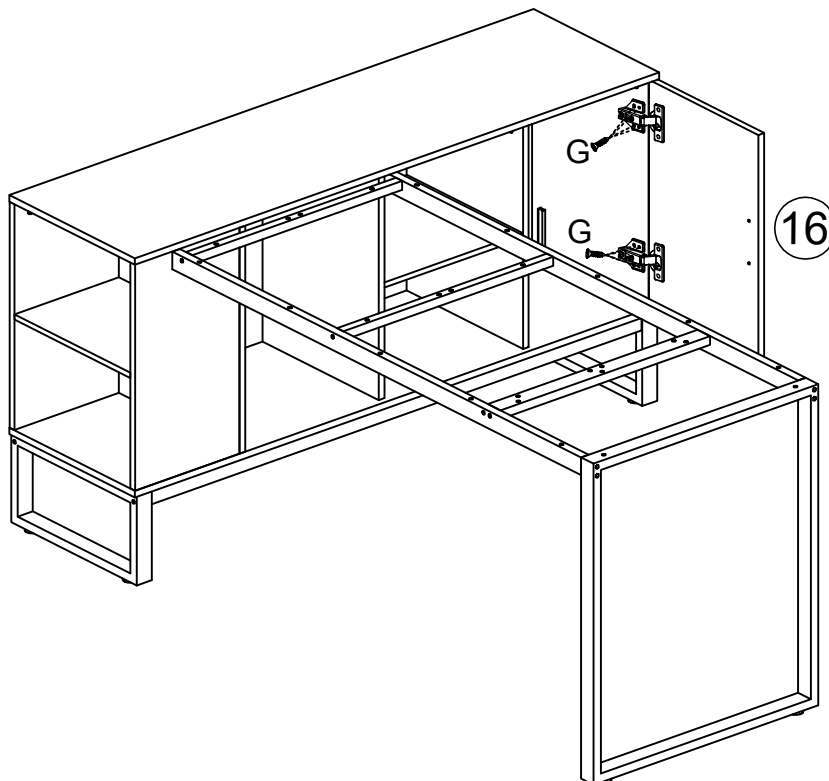
B	X12	D	X10
			
Ø15X12mm		Ø8X30mm	


17



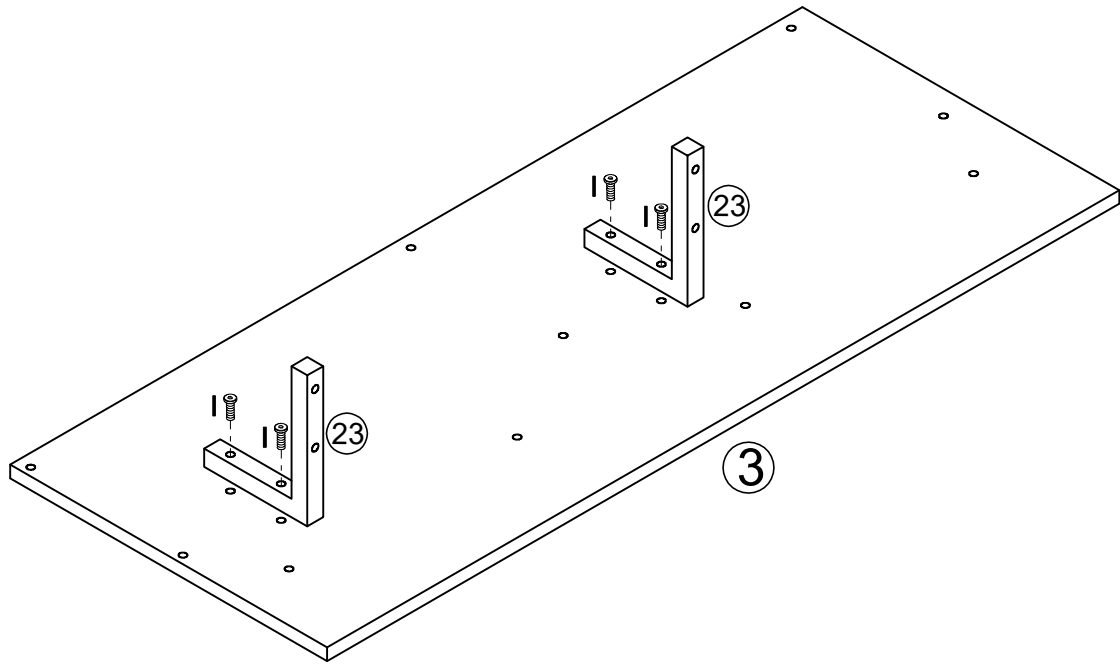
G	X4	M	X1	N	X2	P	X2
							
3.5X14mm		106X16X8mm		M4X18mm			

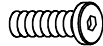
18



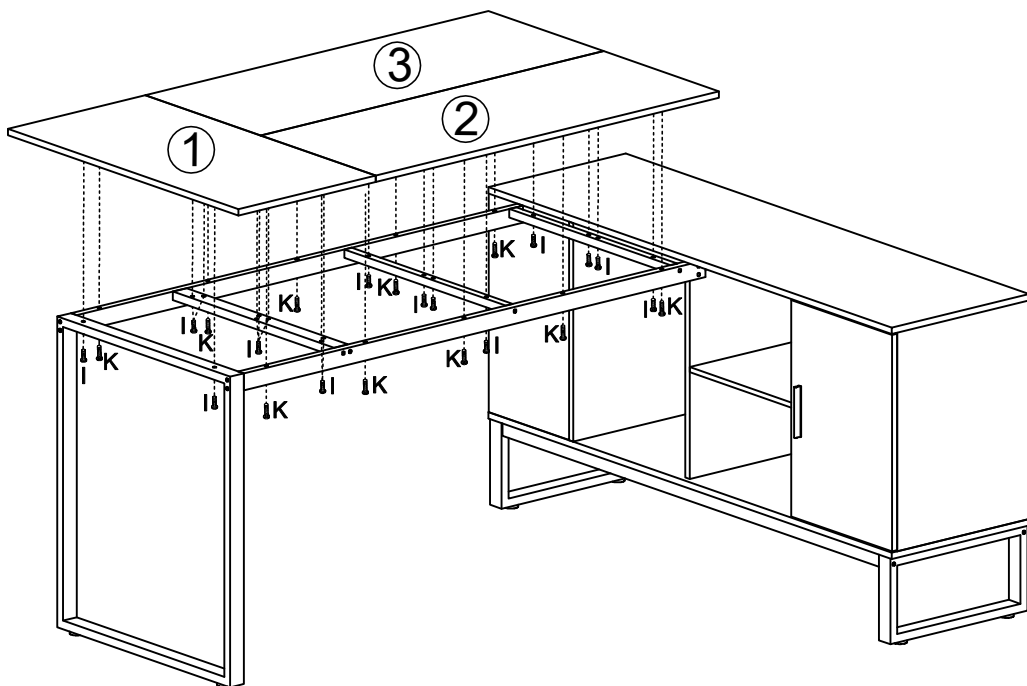
G	X8
	
3.5X14mm	

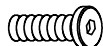
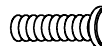
19



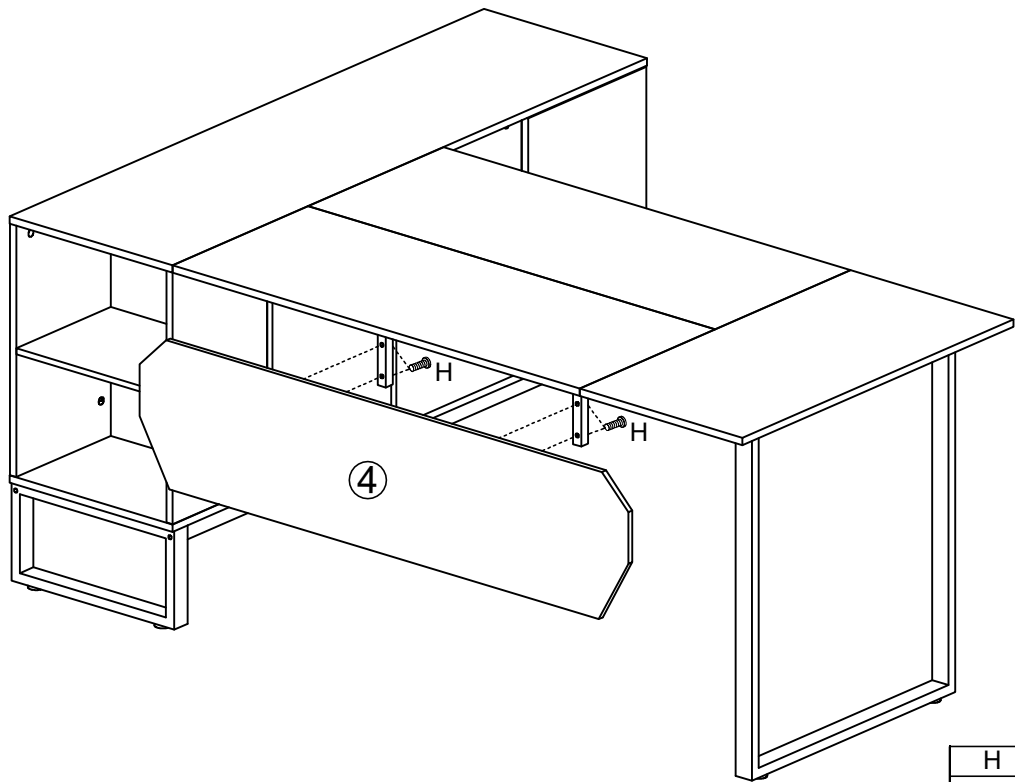
I	X4
	
M6X30mm	

20



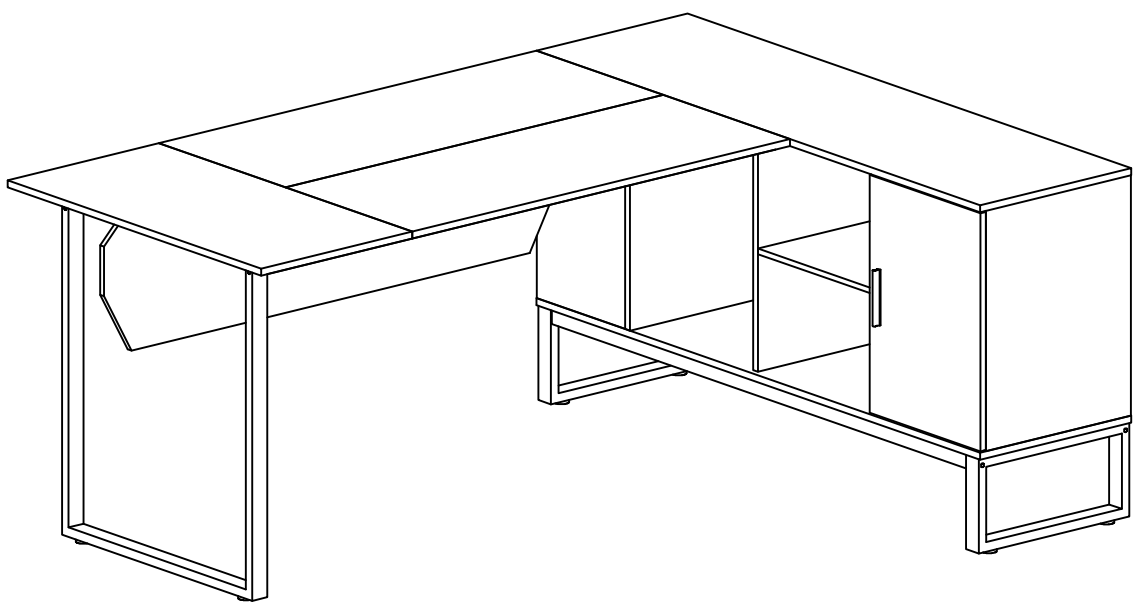
I	X17	K	X10
			
M6X30mm		M6X50mm	

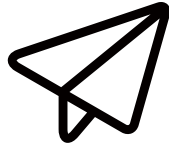
21



H	X4
M6X28mm	

22





No heartburn,
when we handle
the return

Our way

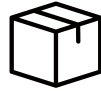


Replacement/Refund



You

Their way



Re-package item



Schedule pick-up



Track package



Replacement



You
