

WP FURNITURE / INSTRUCTIONS



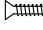

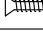

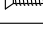

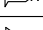
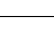
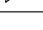



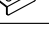

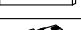

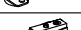
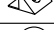

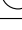


Model# 12_0096 (W361)

Need Assistance? - 315-7580-751 - Text

email: lori@shopwp.com



Hardware List

A2		Screw m3.5 x 14mm	154 pcs	H21		Handle 128mm	6 pcs
A4		Screw m3.5 x 20mm	8 pcs	L1		Leg Pin	4 pcs
A7		Screw m4 x 30mm	12 pcs	L2		Plastic Leg L Shape	4 pcs
A10		Screw m4 x 38mm	12 pcs	M7		Drawer Metal Slide 400mm	3 sets
A17		Screw m6.3 x 40mm	26 pcs	N1		Allen Key	1 pc
A34		Euro Screw m5 x 8mm	12 pcs	P		Hanging Steel Pipe 18 x 1018mm	1 pc
C5		Square Lock Set	2 sets	P1		Hanger 21	1 pc
C8		Square Lock L Bracket	2 pcs	Q4		Plastic Shelf Support with Steel Pin	8 pcs
D6		Wood Dowel 8 x 25mm	30 pcs	R1		L Bracket	4 pcs
E4		Soft Closing Hinge 2/8	3 pcs	R2		Single Plastic Cap	46 pcs
E5		Soft Closing Hinge 5/8	5 pcs	Y		Crosshead Cover	20 pcs
E21		Anti-Tipping Pack	2 set				
F2		Mini Fix 15mm	20 sets				

*** Extra screw for your commitment.**
*** Please assemble flat or nice service.**

"Congratulations on Your Recent Purchase! Here Are Some Tips Before You Begin Assembling:"

"Preparing for your exciting new purchase? Be sure to set yourself up for a smooth assembly process by following these steps:"

- First, we recommend using a rug or any large clean surface as your workspace to provide a sturdy base for assembly.
- Next, it is important to separate all components and identify each part by their designated letters. This will make it easier to follow the assembly instructions and ensure all pieces are placed correctly.
- Additionally, on a clean surface separate and identify all screws lengths and hardware. You can use the assembly instructions as a guide and place the screws on top of the actual size pictured. This will save you time and confusion during the assembly process.
- Finally, we highly encourage you to carefully read through the assembly instructions and start from step one. Follow each step diligently until your new purchase is fully assembled. However, if you have any questions or need further assistance, please do not hesitate to reach out to us via email.

**Thank you again for choosing our product.
We wish you all the best and happy assembling!**

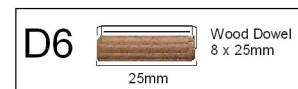
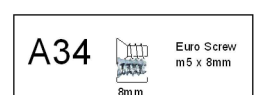
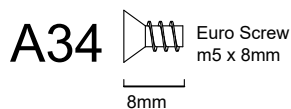
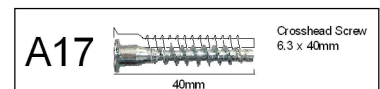
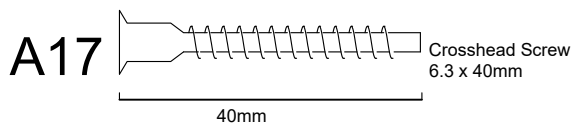
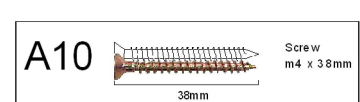
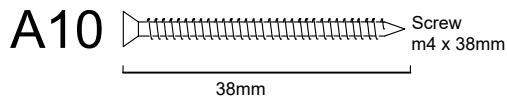
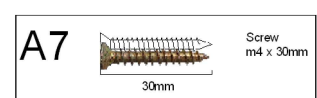
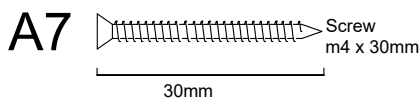
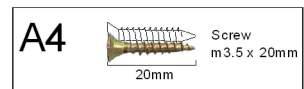
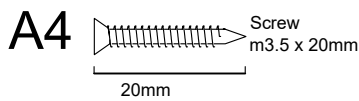
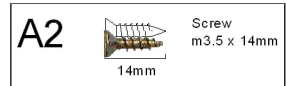
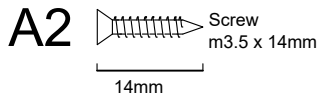
WP FURNITURE / INSTRUCTIONS

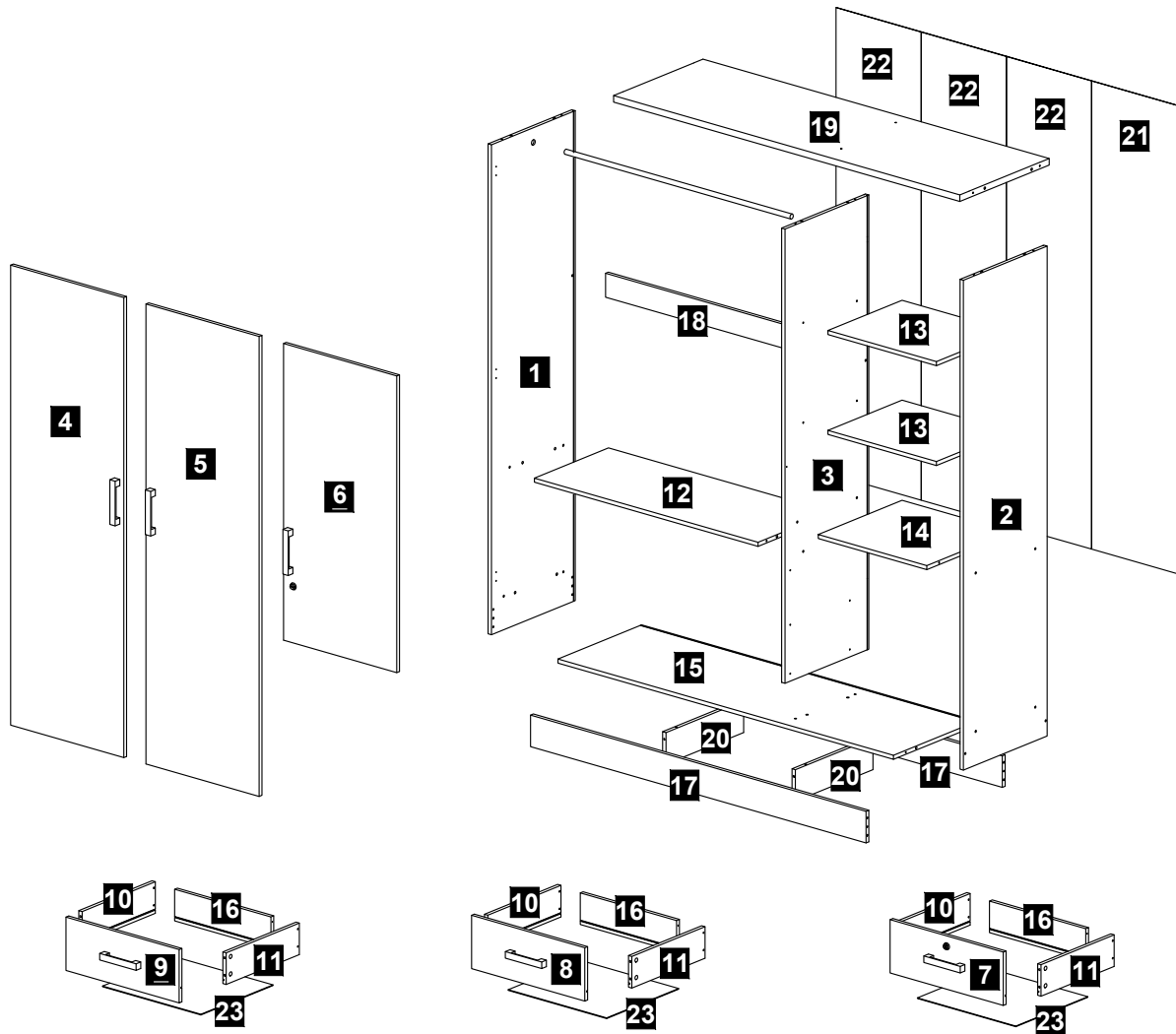
Model# 12_0096 (W361)

Need Assistance? - 315-7580-751 - Text

email: lori@shopwp.com

Place your screw on top of the scale to identify their size.





Parts List		
1	Side Panel (L)	1 pc
2	Side Panel (R)	1 pc
3	Center Panel	1 pc
4	Big Door Panel (L)	1 pc
5	Big Door Panel (R)	1 pc
6	Door Panel (R)	1 pc
7	Drawer Front Panel (Lock)	1 pc
8	Big Drawer Front Panel	1 pc
9	Small Drawer Front Panel	1 pc
10	Drawer Side Panel (L)	3 pcs
11	Drawer Side Panel (R)	3 pcs

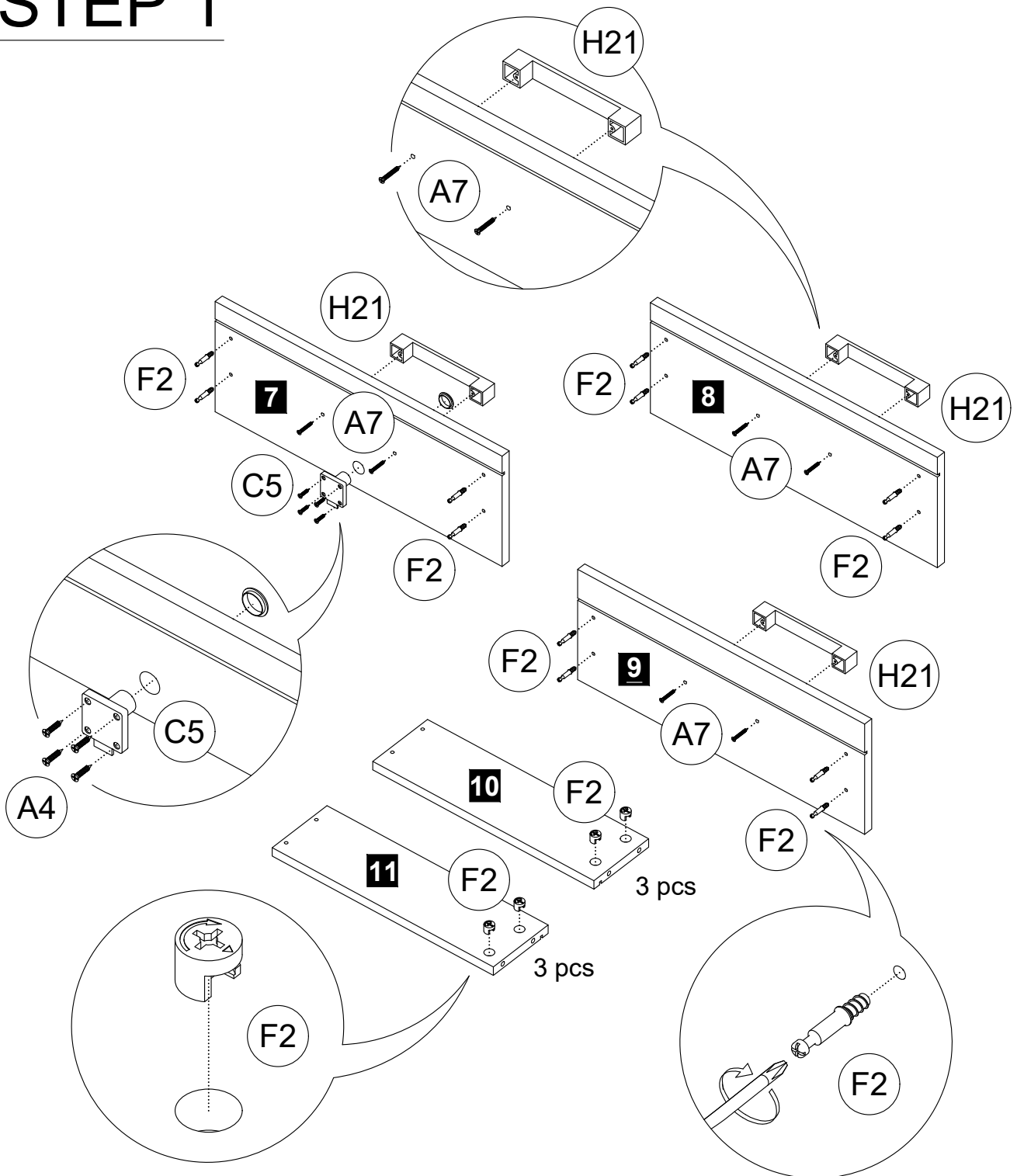
12	Big Shelf Panel	1 pc
13	Free Shelf Panel	2 pcs
14	Mid Shelf Panel	1 pc
15	Bottom Panel	1 pc
16	Drawer Back Board	3 pcs
17	Big Crossbar	2 pcs
18	Small Crossbar	1 pc
19	Top Panel	1 pc
20	Bottom Crossbar	2 pcs
21	Big Backboard	1 pcs
22	Backboard	3 pcs
23	Drawer Bottom Panel	3 pcs

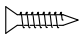
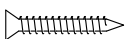


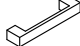
EACH PART IS LABELLED ACCORDING TO THE PARTS LIST



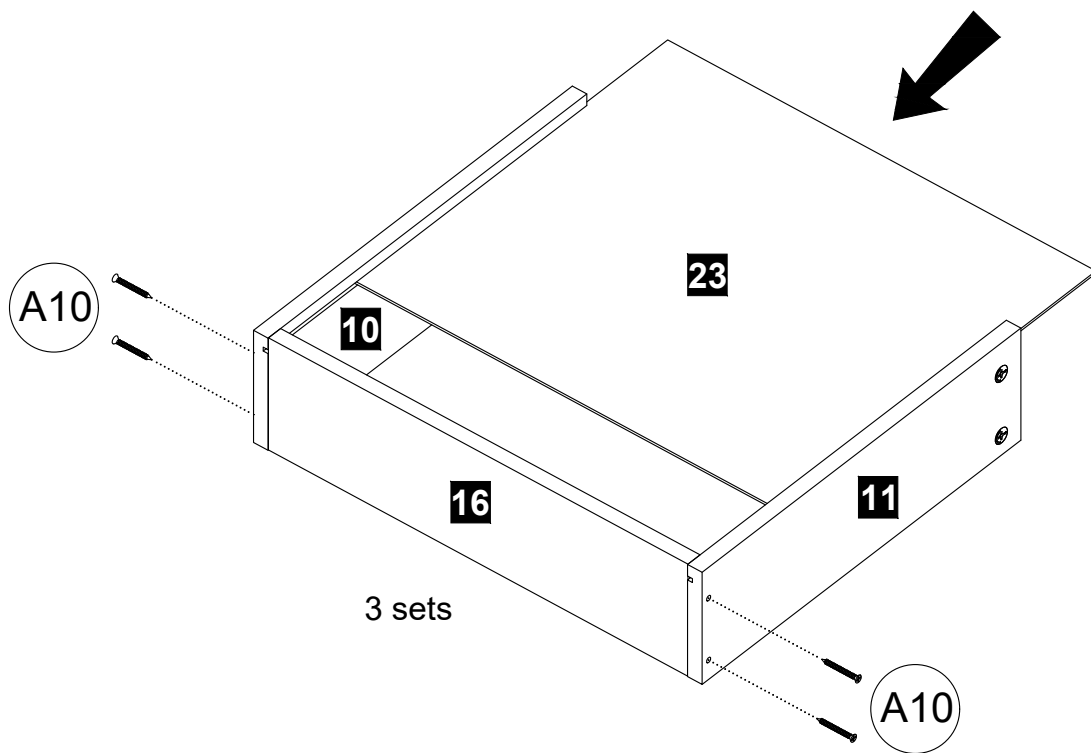
Before starting assembly
please verify if all parts and
hardware are included


STEP 1



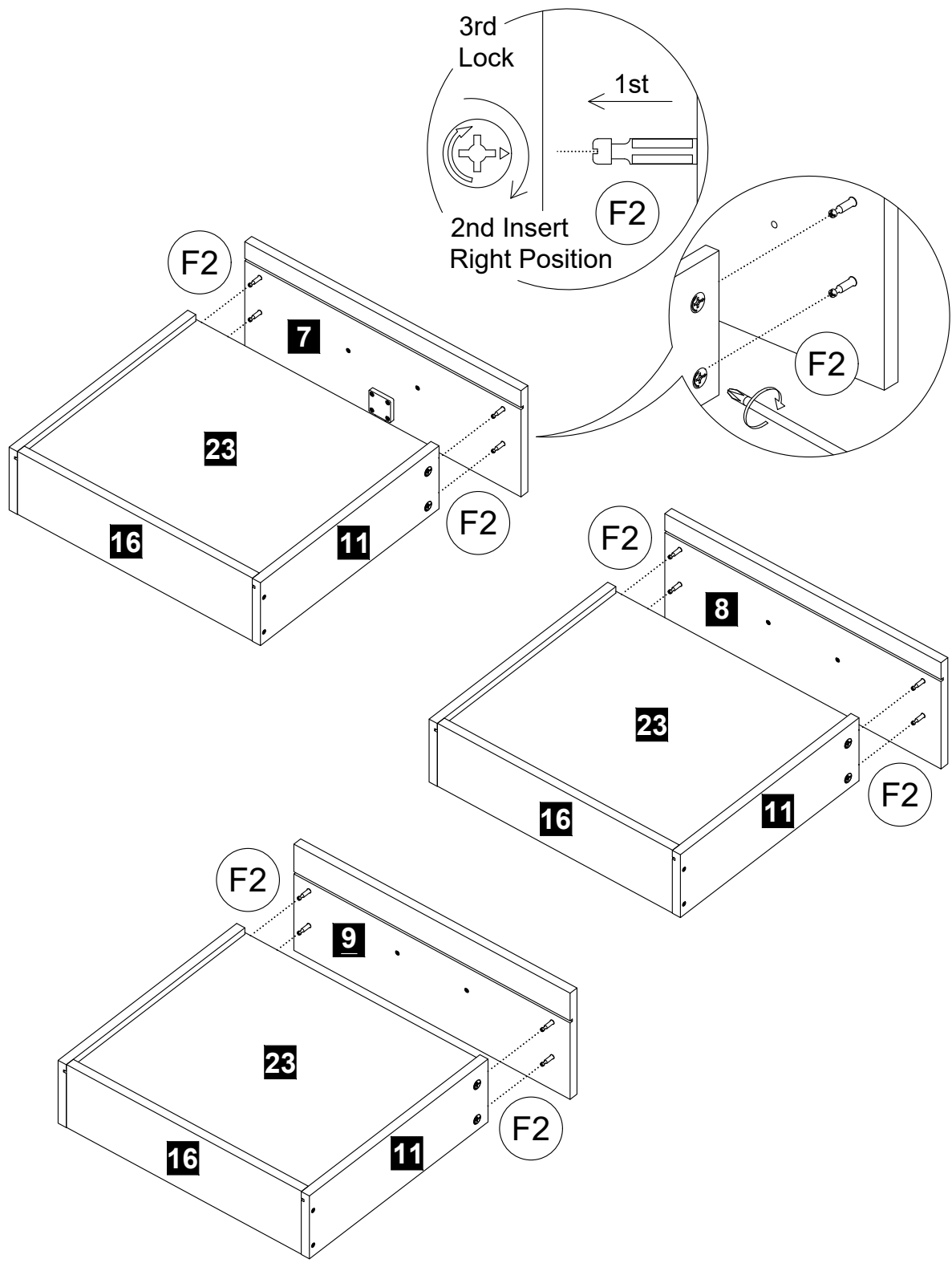
A4		Screw m3.5 x 20mm	4 pcs
A7		Screw m4 x 30mm	6 pcs
C5		Square Lock Set	1 set
F2		Mini Fix 15mm	12 sets
H21		Handle 128mm	3 pcs

STEP 2



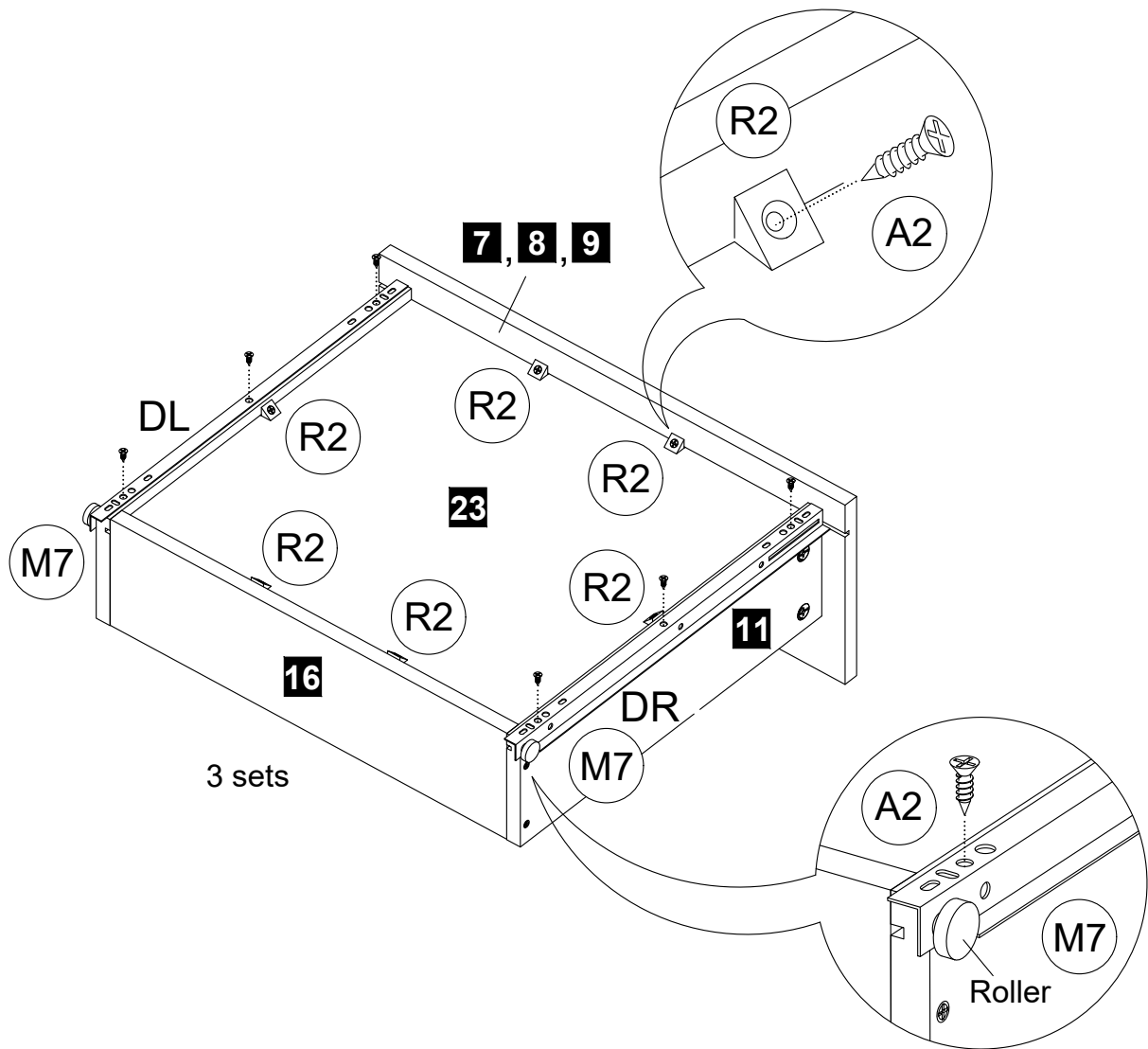
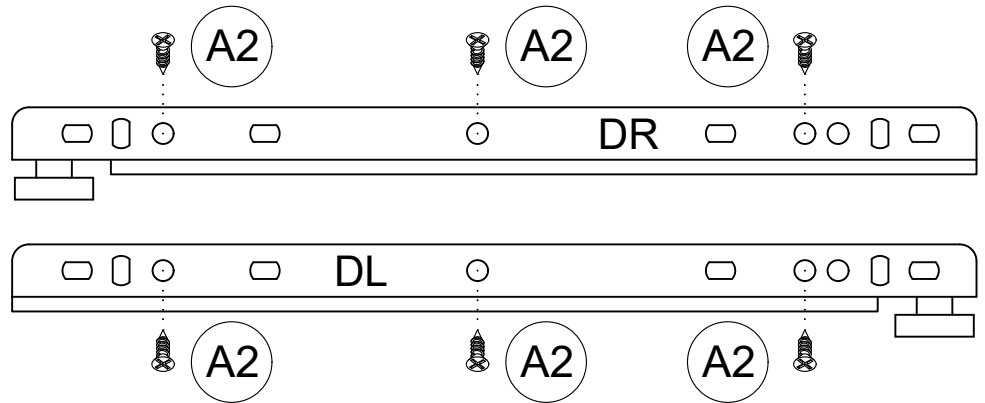
A10		Screw m4 x 38mm	12 pcs
-----	---	-----------------	--------


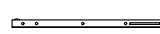

STEP 3



To Assemble the Drawer Slide, Please follow step as below

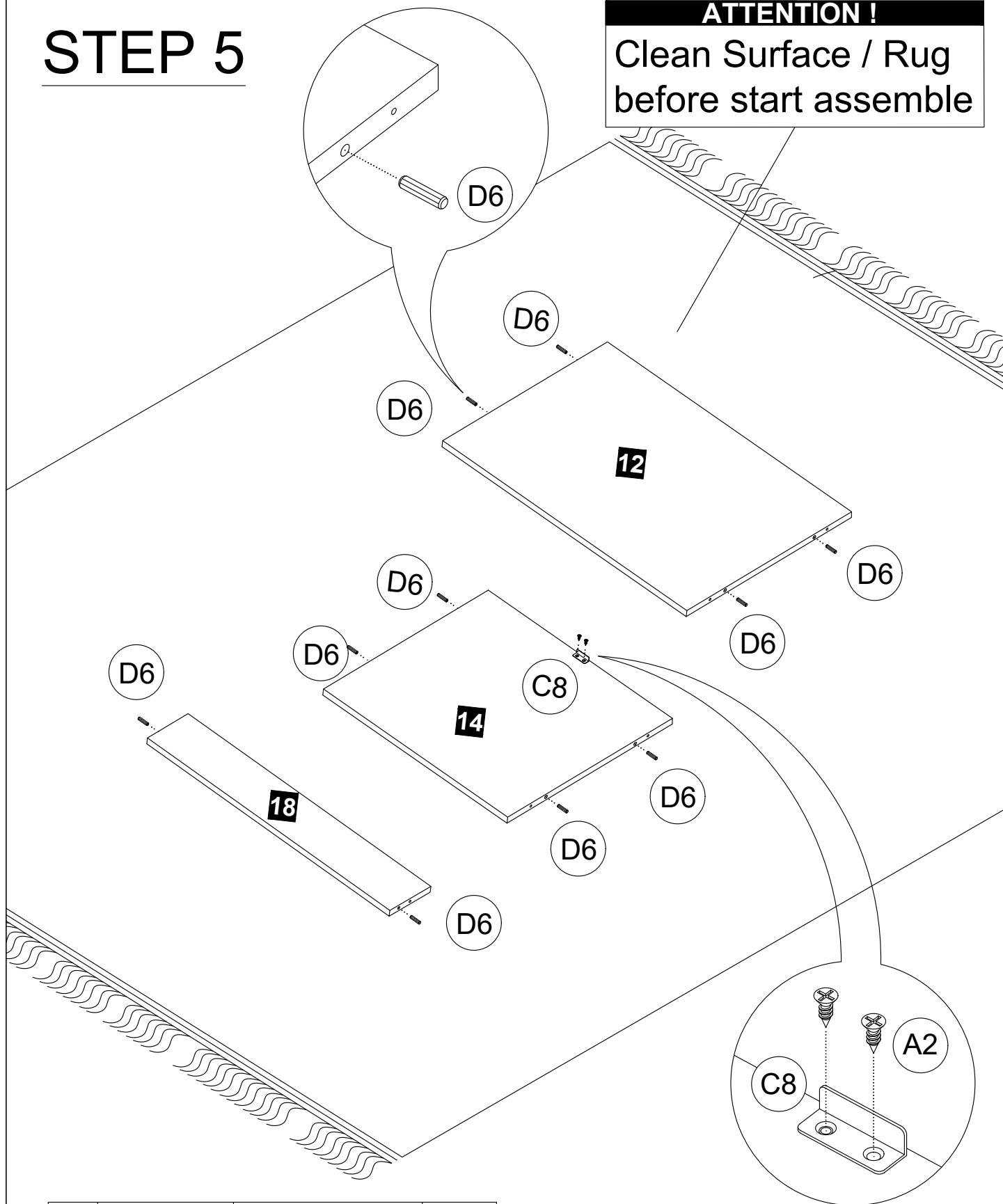
STEP 4


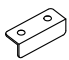



A2		Screw m3.5 x 14mm	36 pcs
M7		Drawer Metal Slide 400mm	3 sets
R2		Single Plastic Cap	18 pcs

STEP 5

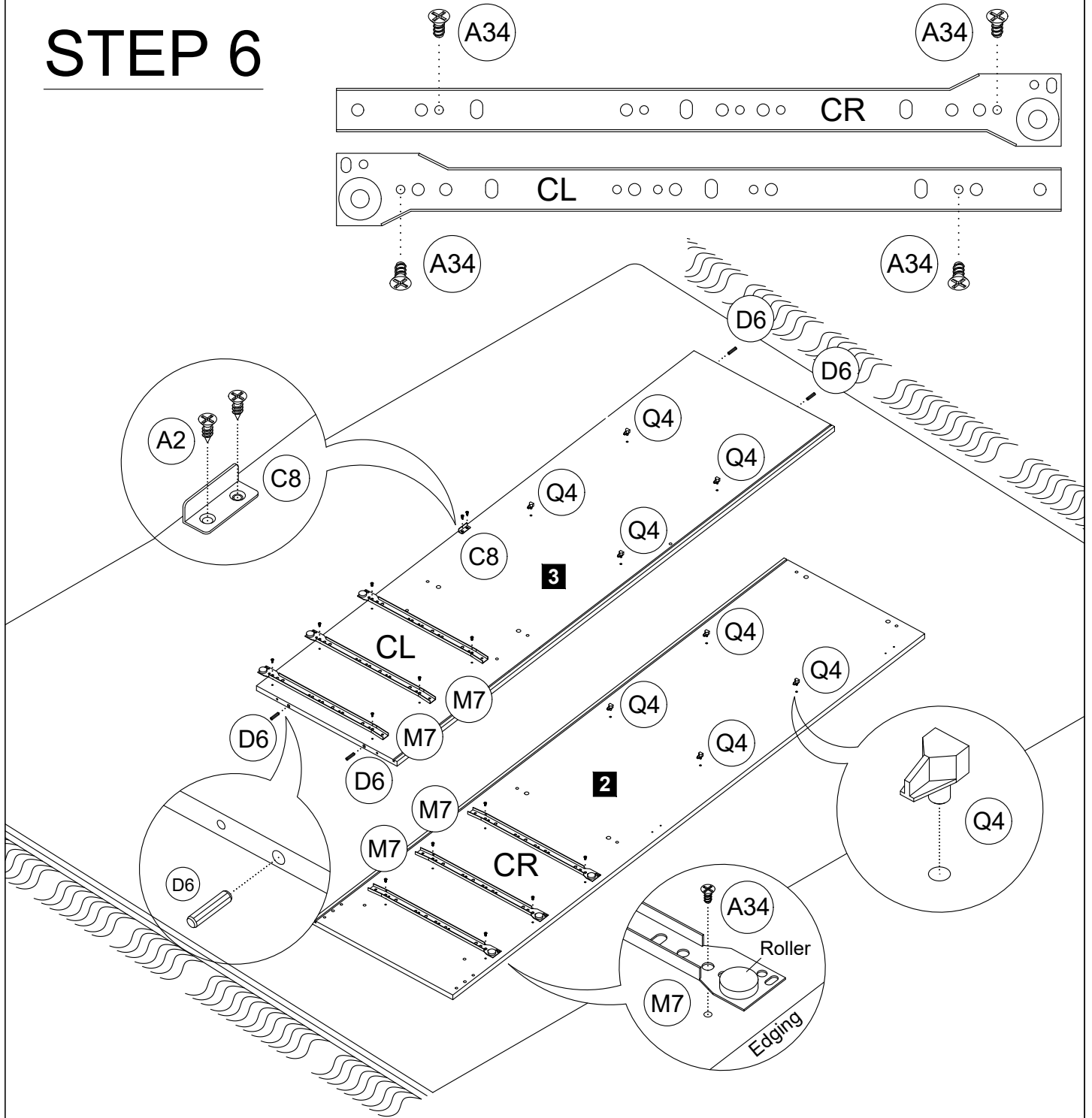
ATTENTION !
Clean Surface / Rug
before start assemble



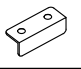
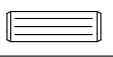




A2		Screw m3.5 x 14mm	2 pcs
C8		Square Lock L Bracket	1 pc
D6		Wood Dowel 8 x 25mm	10 pcs

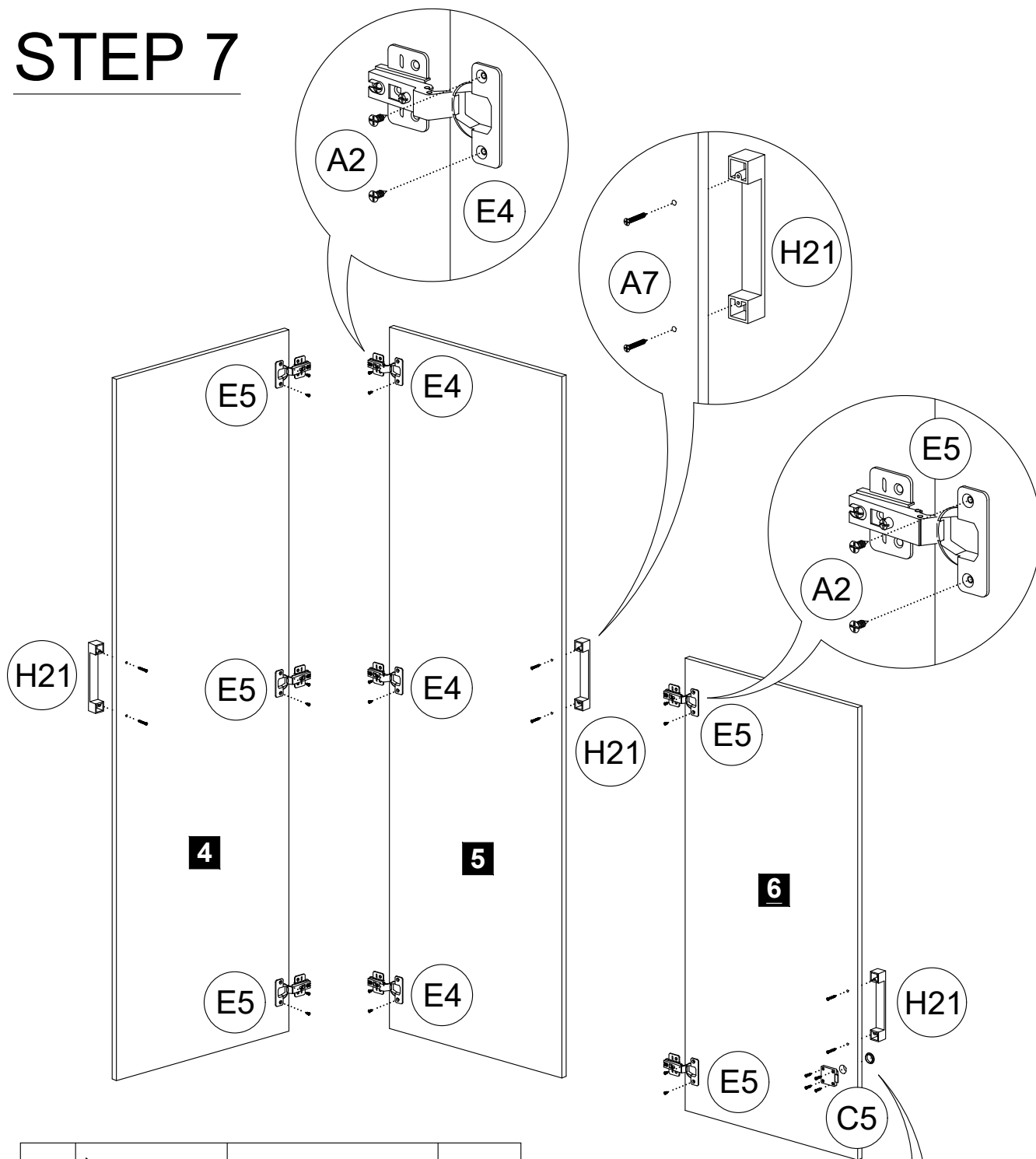
To Assemble the Drawer Slide, Please follow step as below



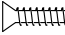



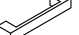
STEP 6

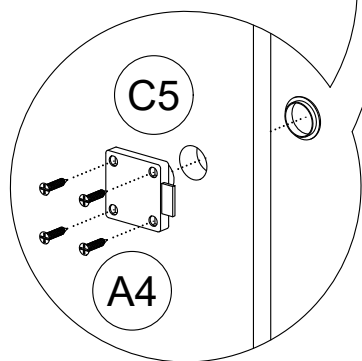


A2		Screw m3.5 x 14mm	2 pcs
A34		Euro Screw m5 x 8mm	12 pcs
C8		Square Lock L Bracket	1 pc
D6		Wood Dowel 8 x 25mm	4 pcs
M7		Drawer Metal Slide 400mm	3 sets
Q4		Plastic Shelf Support with Steel Pin	8 pcs

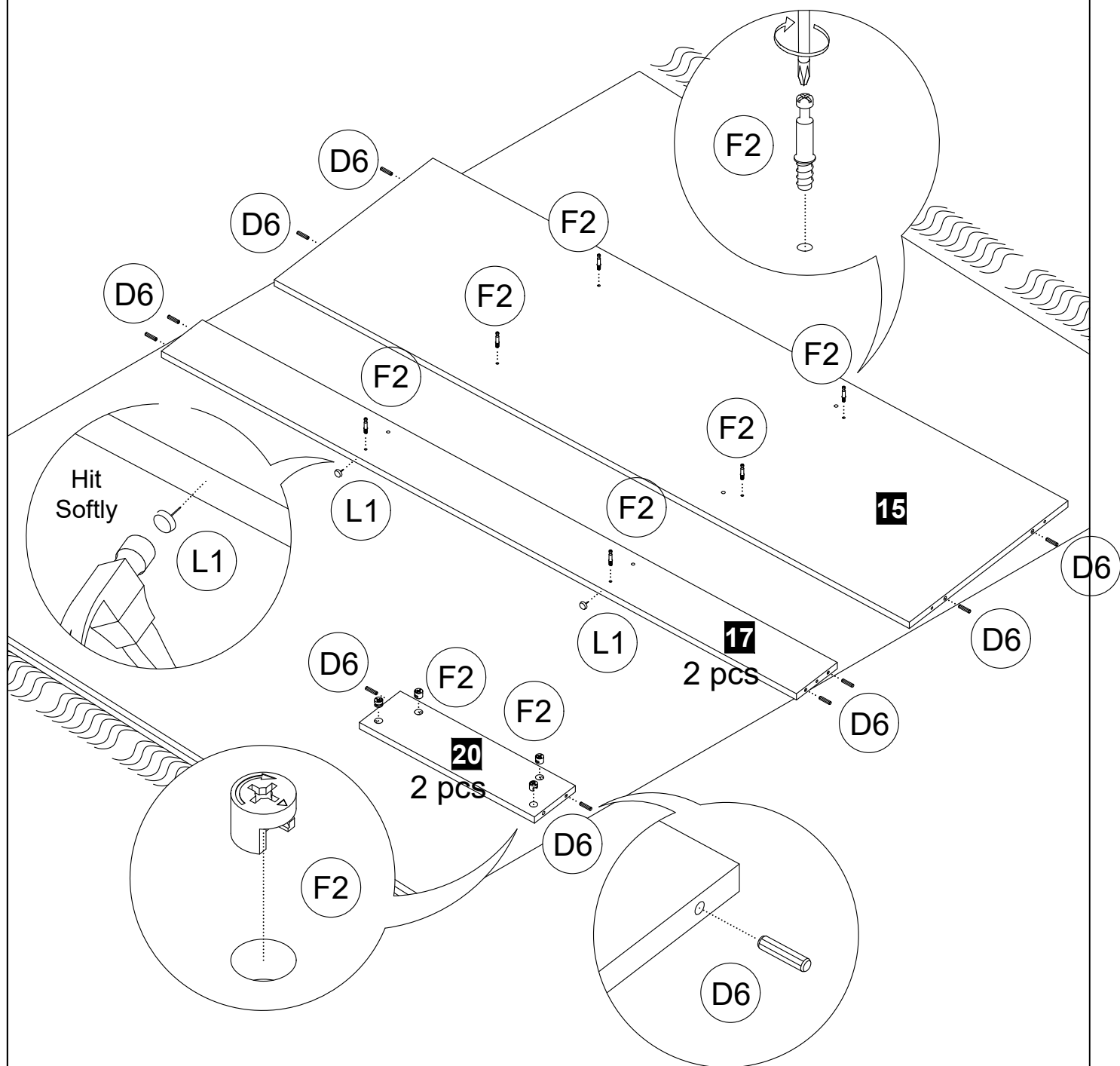
STEP 7


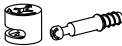



A2		Screw m3.5 x 14mm	16 pcs
A4		Screw m3.5 x 20mm	4 pcs
A7		Screw m4 x 30mm	6 pcs
C5		Square Lock Set	1 set
E4		Soft Closing Hinges 2/8	3 pcs
E5		Soft Closing Hinges 5/8	5 pcs
H21		Handle 128mm	3 pcs

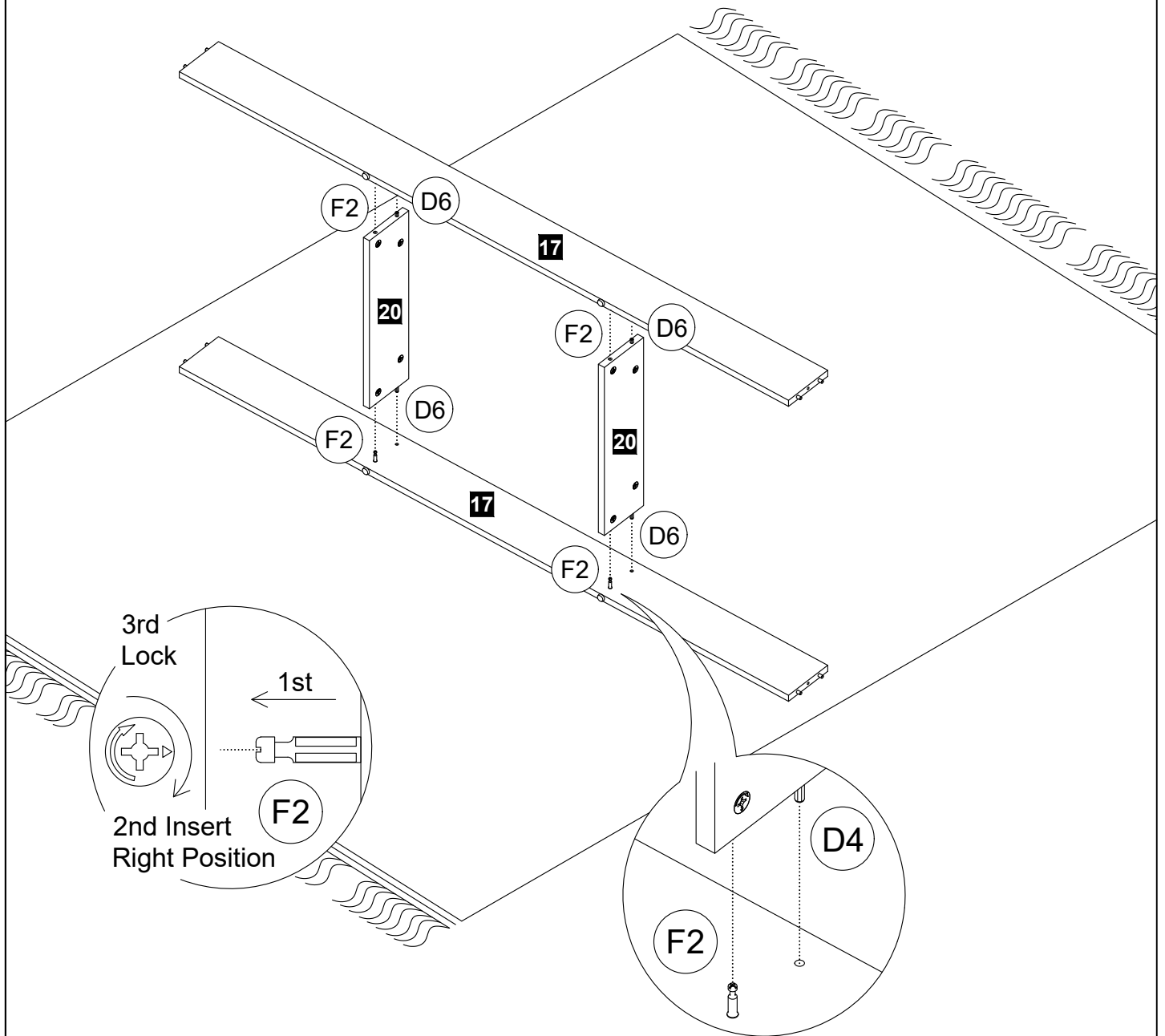


STEP 8

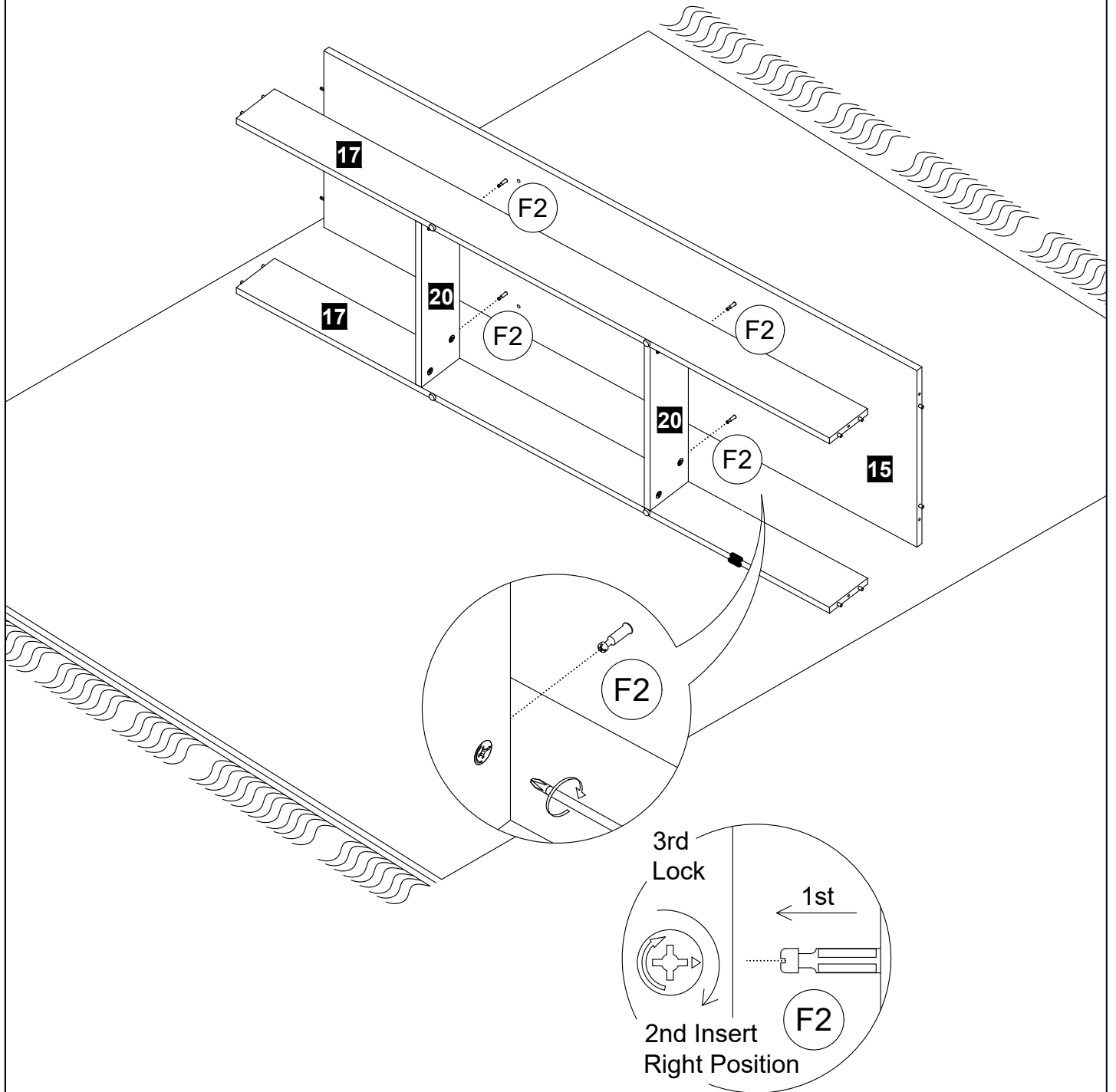


D6		Wood Dowel 8 x 25mm	16 pcs
F2		Mini Fix 15mm	8 sets
L1		Leg Pin	4 pcs

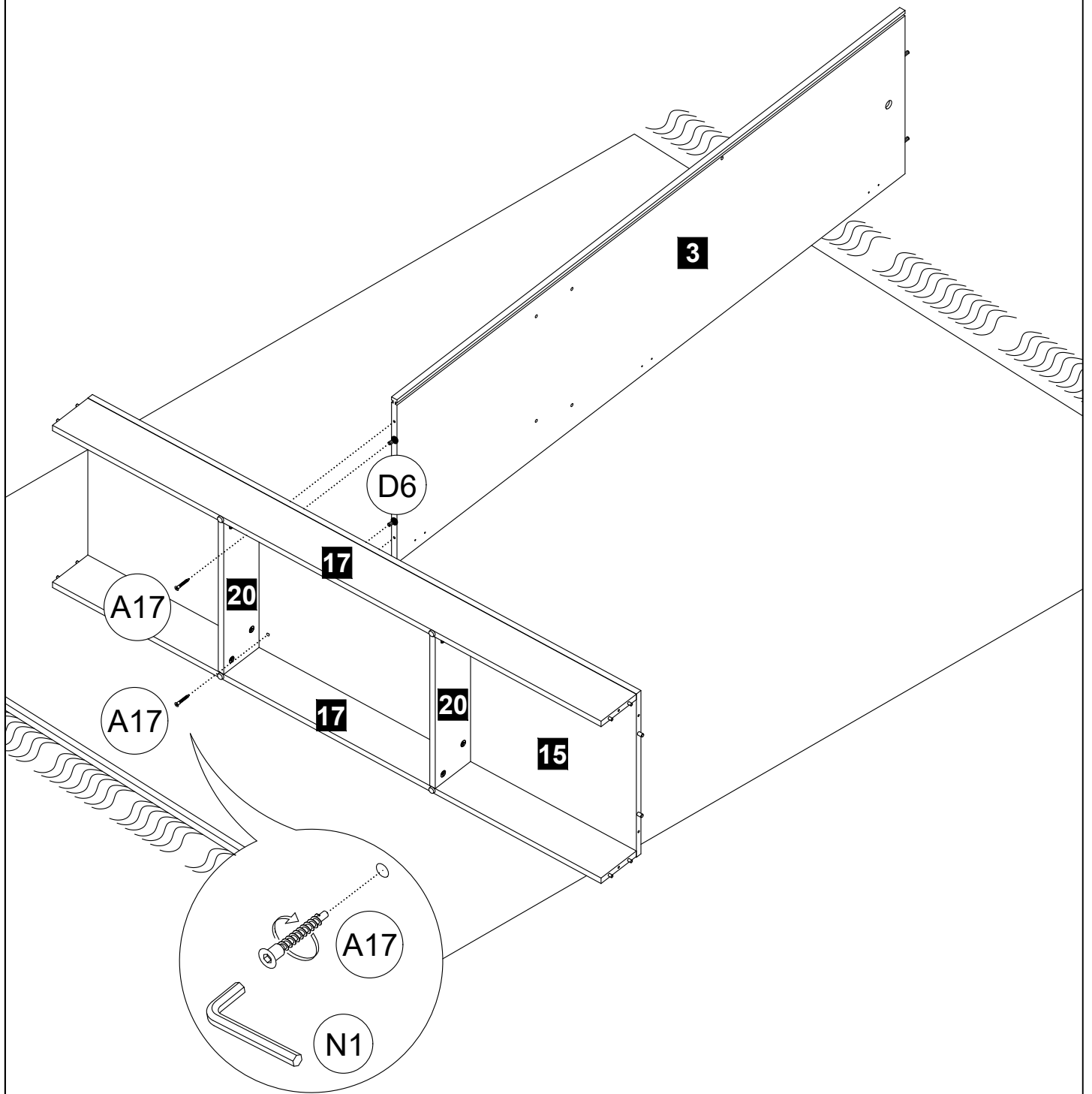
STEP 9

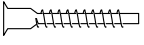



STEP 10

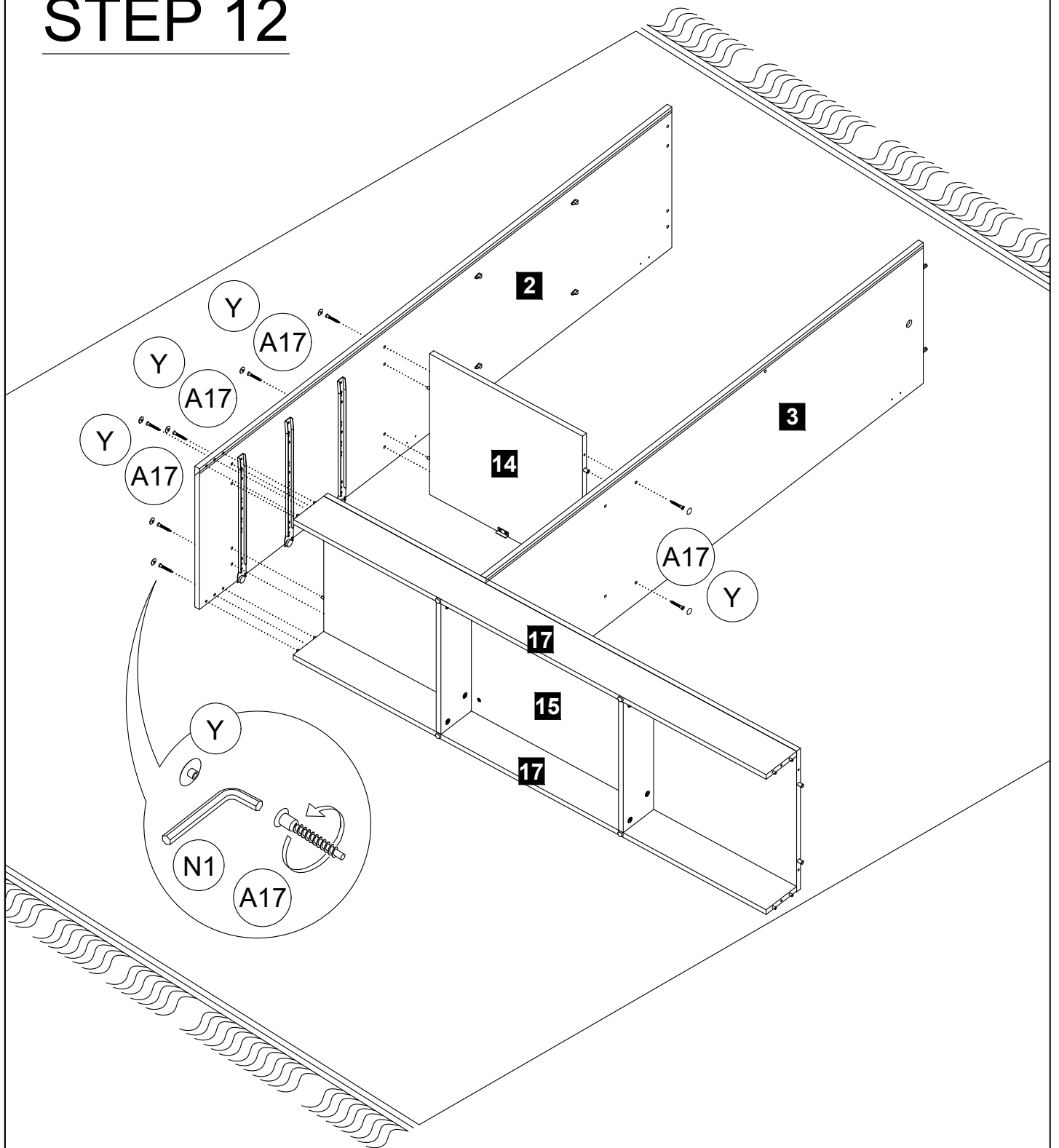


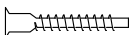


STEP 11



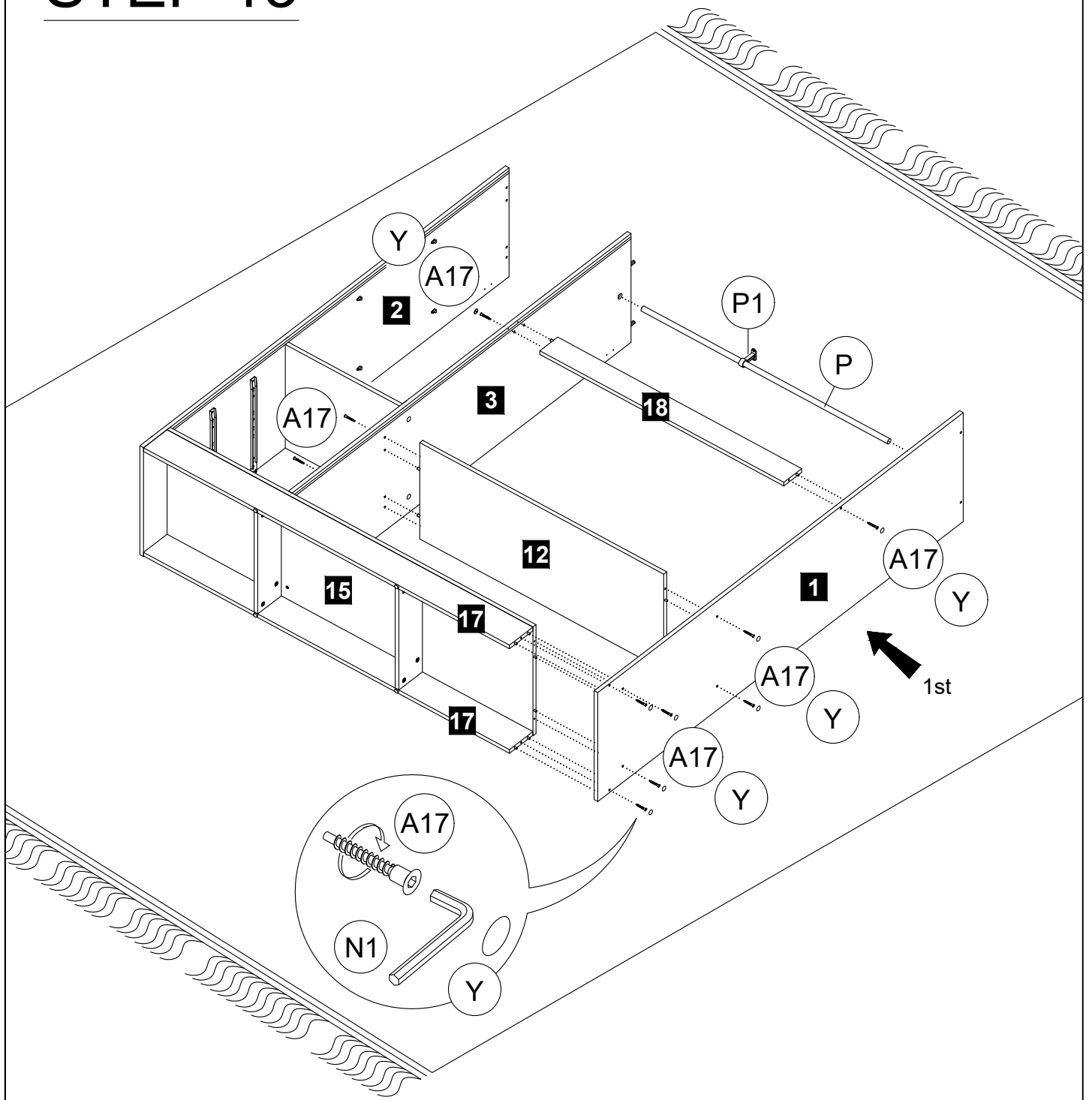
A17		Crosshead Screw m6.3 x 40mm	2 pcs
N1		Allen Key	1 pcs

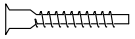

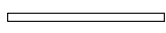
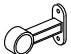

STEP 12



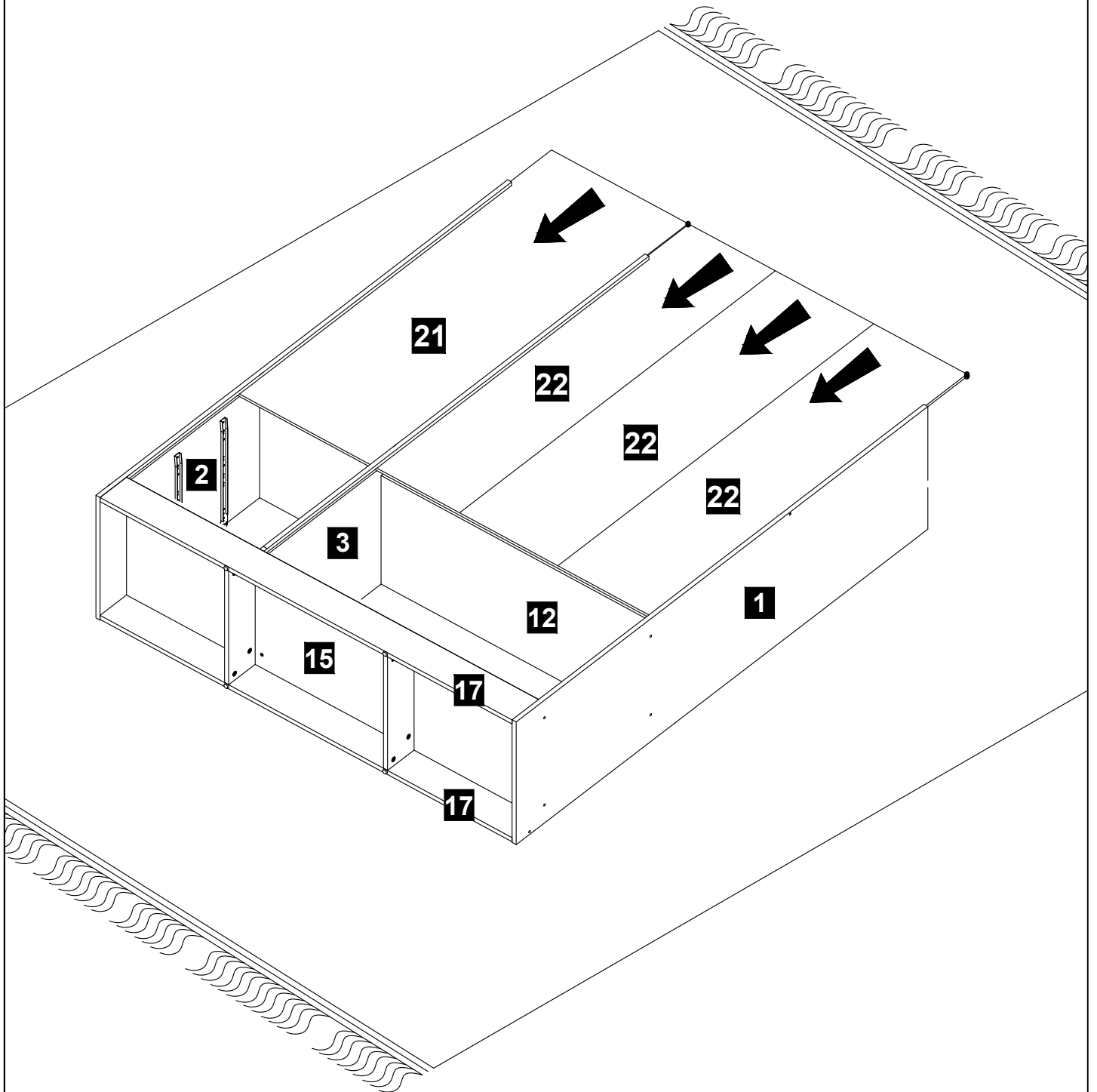
A17		Crosshead Screw m6.3 x 40mm	8 pcs
N1		Allen Key	1 pc
Y		Crosshead Cover	8 pcs

STEP 13

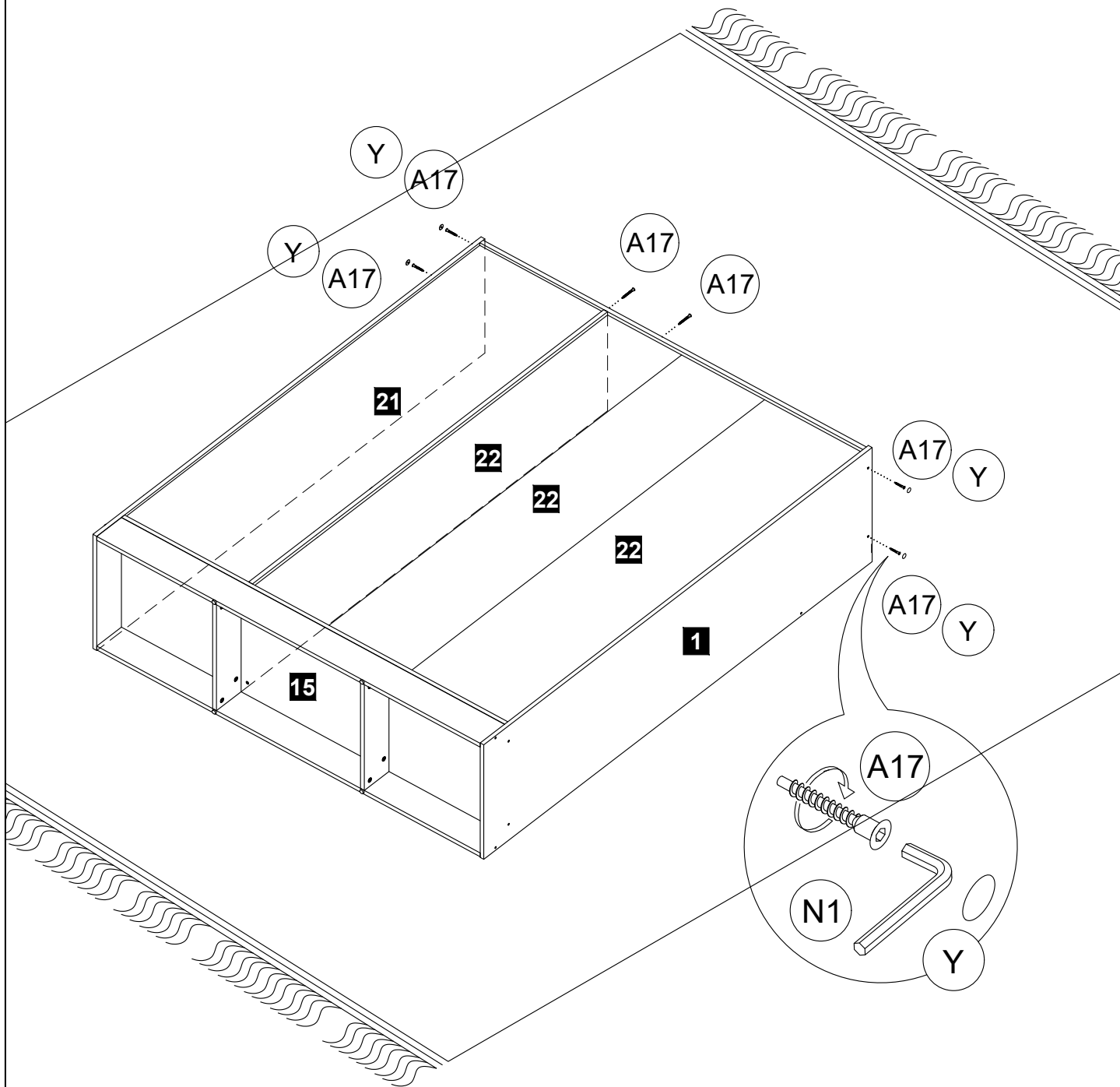


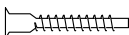


A17		Crosshead Screw m6.3 x 40mm	10 pcs
N1		Allen Key	1 pc
P		Hanging Steel Pipe 18 x 1018mm	1 pc
P1		Hanger 21	1 pc
Y		Crosshead Cover	8 pcs

STEP 14

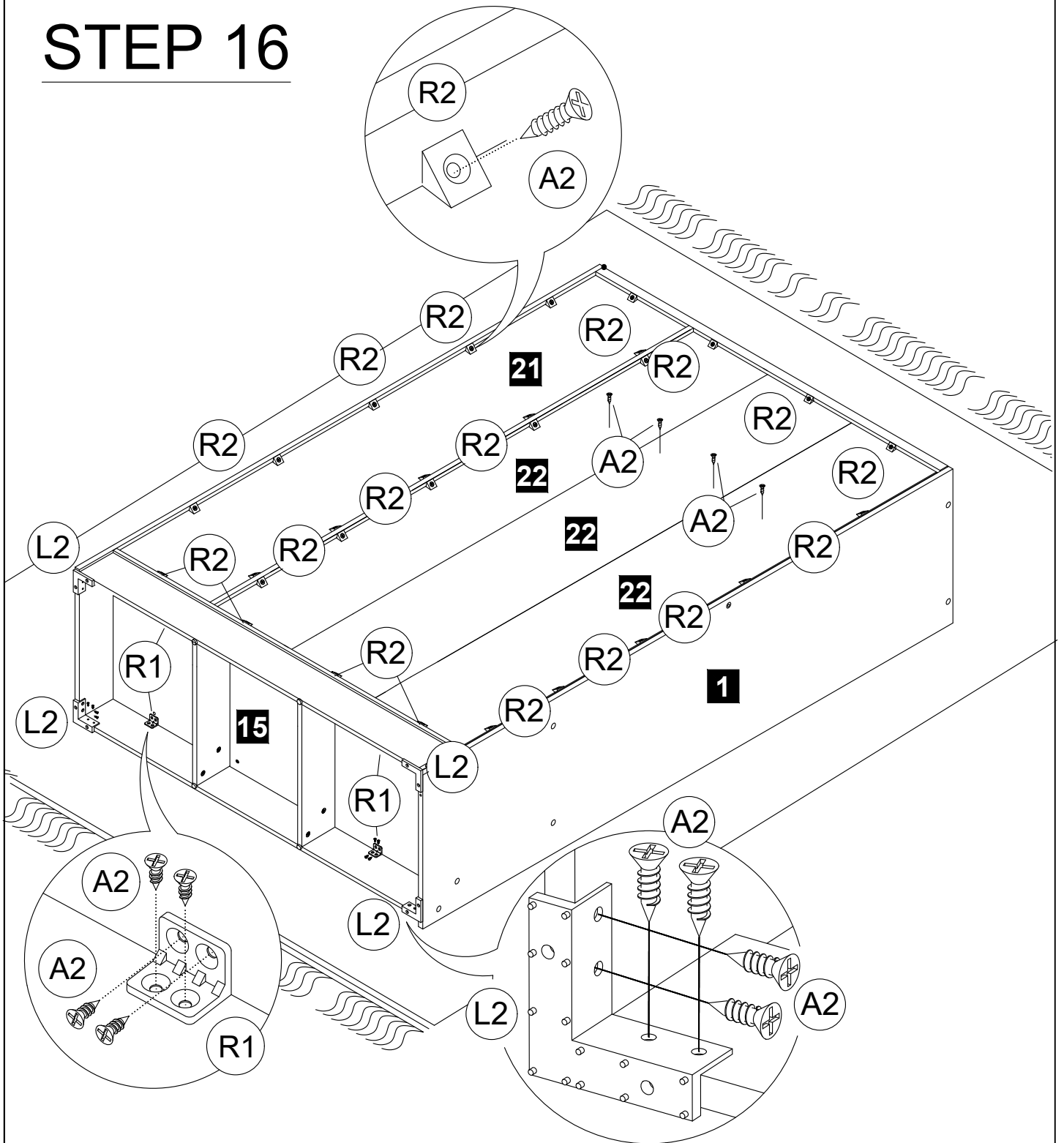


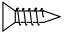
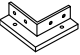


STEP 15



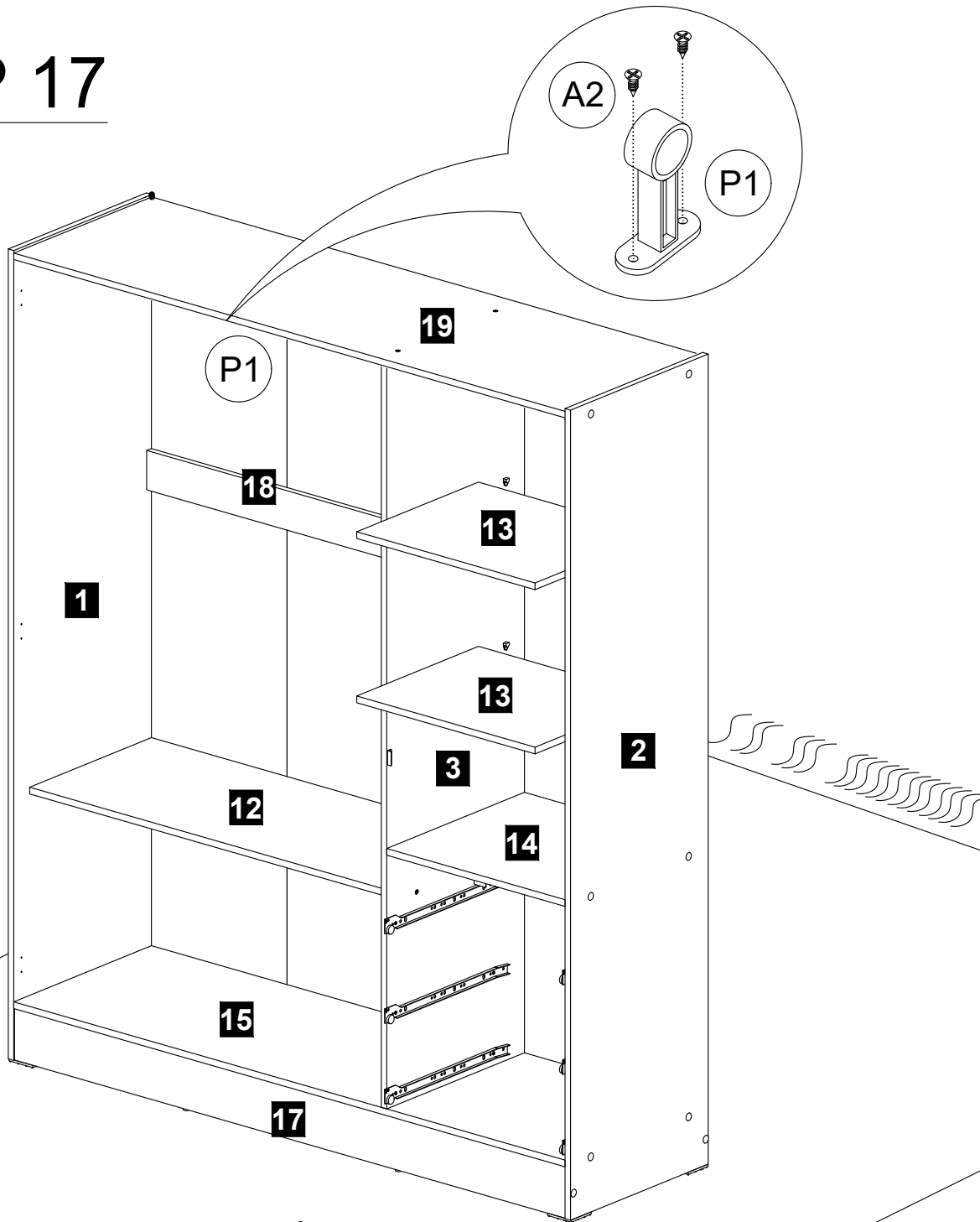
A17		Crosshead Screw m6.3 x 40mm	6 pcs
N1		Allen Key	1 pc
Y		Crosshead Cover	4 pcs

STEP 16



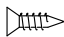
A2		Screw m3.5 x 14mm	64 pcs
L2		Plastic Leg L Shape	4 pcs
R2		Single Plastic Cap	28 pcs
R1		L Bracket	4 pcs

STEP 17

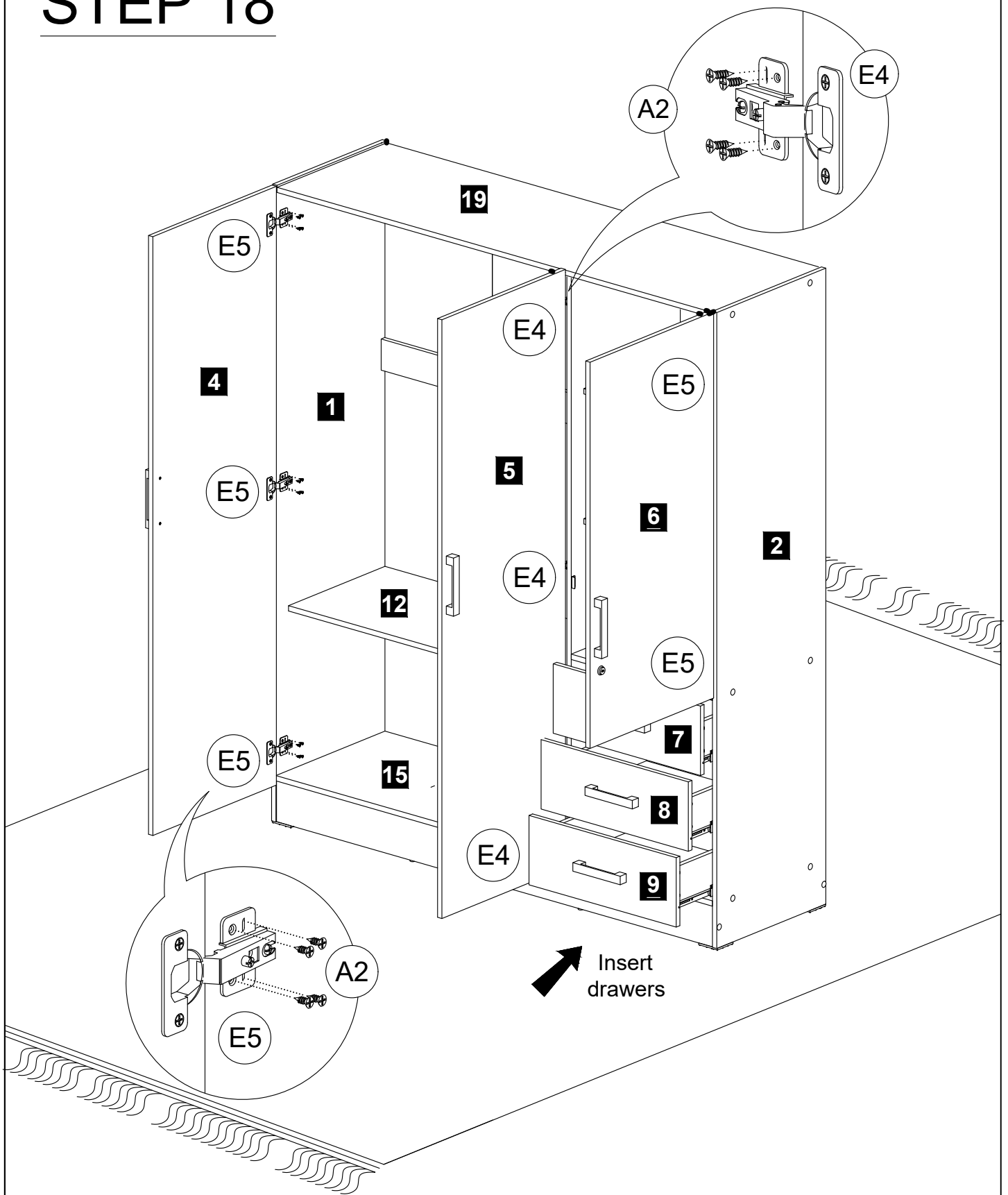





Stand up

Insert 2 pcs of
Small Shelf
Panel no. 13

A2		Screw m3.5 x 14mm	2 pcs
----	---	-------------------	-------

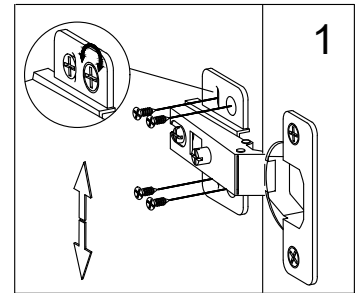
STEP 18



A2		Screw m3.5 x 14mm	32 pcs
E4		Soft Closing Hinges 2/8	3 pcs
E5		Soft Closing Hinges 5/8	5 pcs

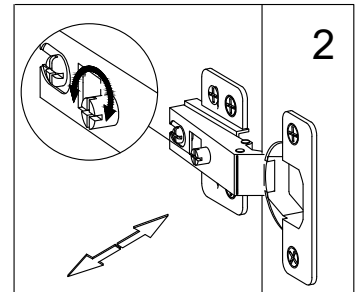
DOOR ADJUSTMENT

Up - Down



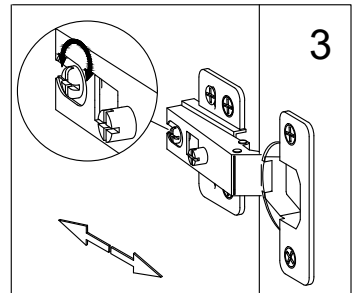
If the doors are not aligning move hinge up or down

Left - Right

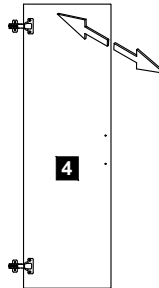
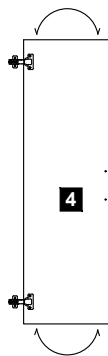
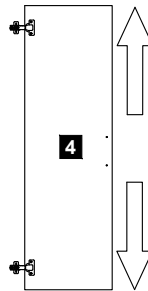
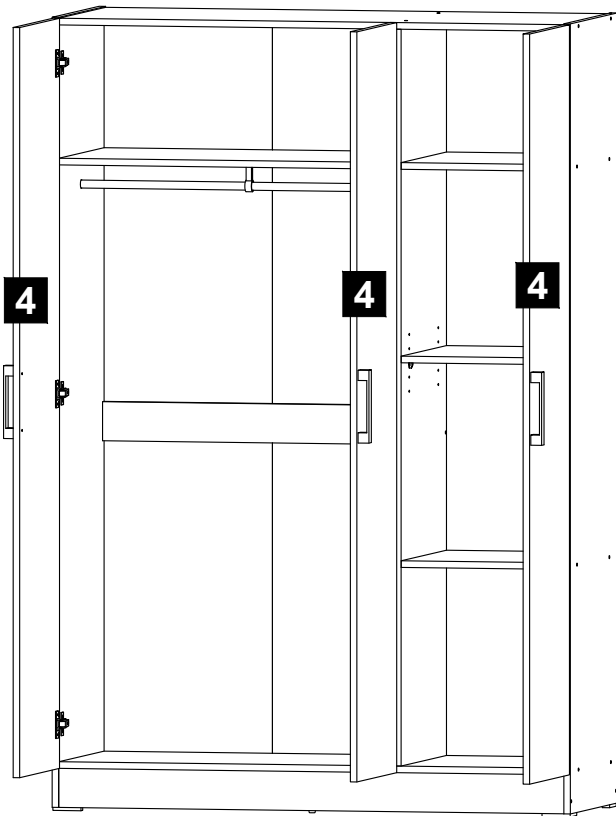


-If doors are over lapping each other or not parallel.
-If the gap between the doors is too large or too small.

In - Out



If the doors are rubbing against the sides of the closet
move them away to increase the swing of the door.



If you still need help please call us at: 973-437-5068

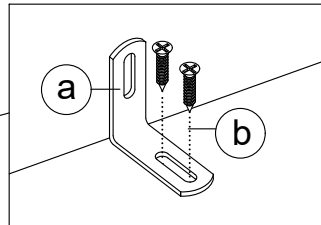
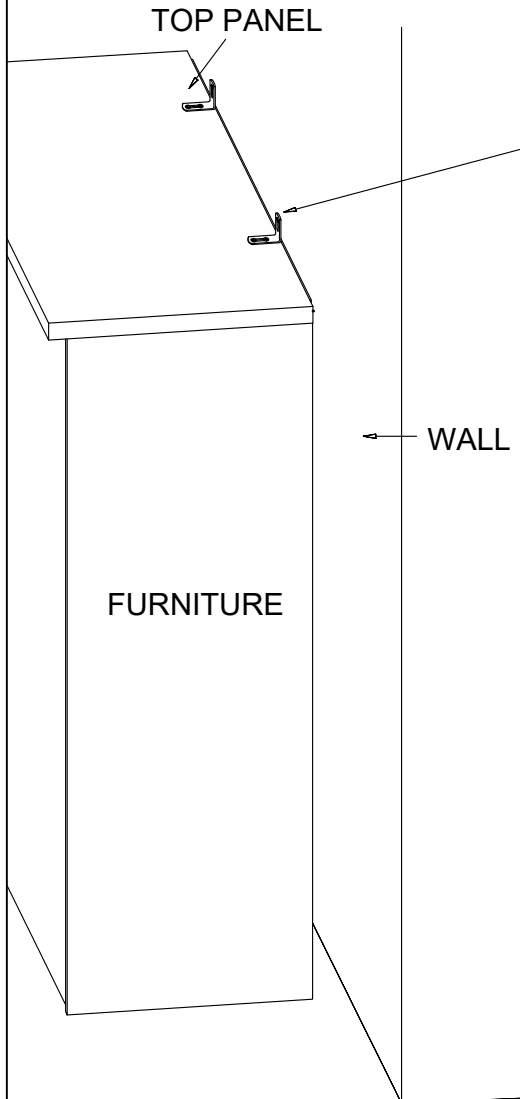


Short video for door adjustment

FITTING OF TIPOVER RESTRAINT KIT

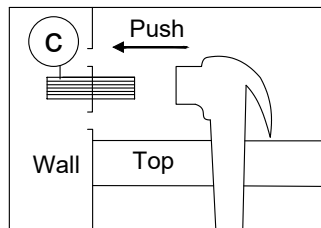
The Tipover Restraint Kit is highly recommended for this piece of furniture.

(Please take this into extra consideration around young toddlers and children)



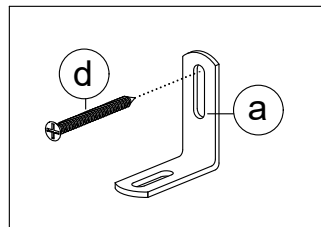
STEP 1:

- Attach the mounting bracket (a) to the the top panel near the edge of the side of the unit.
- Screw (b) through the two holes of (a).



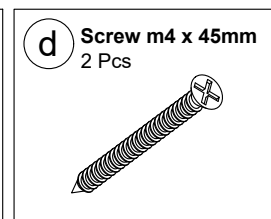
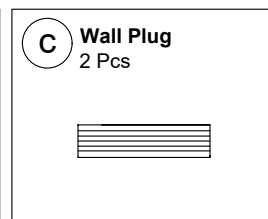
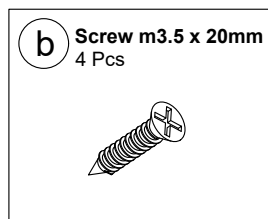
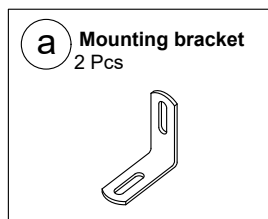
STEP 2:

- Insert the wall plug (d) into the wall behind the unit.



STEP 3:

- Attach to the mounting bracket (a) to the wall plug (c) through the hole by using (d).



AH CHAI ENTERPRISE SDN BHD
LOT 17334, LORONG ASAS JAYA 3,
KWS PERINDUSTRIAN RINGAN ASAS JAYA,
PERMATANG TINGGI,
14000 BUKIT MERTAJAM, PENANG.

Manufacture Date: 9/12/2023

Troubleshooting

- If the drawers are overlapping each other - **Solution:** The metal slides are placed upside down, please refer to the instruction manual.
- If the doors are overlapping each other - **Solution:** make sure the correct hinges are placed on the right door refer to the hinge assembly step on the manual.
- If the gap between the doors is too large or too small, the doors are overlapping each other, not parallel, or rubbing against the sides of the closet - **Solution:** See the page for " Door Adjustment. " or see video, QR code video is available below.

THANK YOU

We hope you enjoy your new purchase.

We have personally inspected this product.

In the event that you need any additional help for any reason,

Please do not hesitate to contact us at: 315-7580-751 / 973-751-7089

Email lori@shopwp.com

See our website wpfurniture.com

**WP FURNITURE
323 Cortland Street
Belleville New Jersey**

Thank you