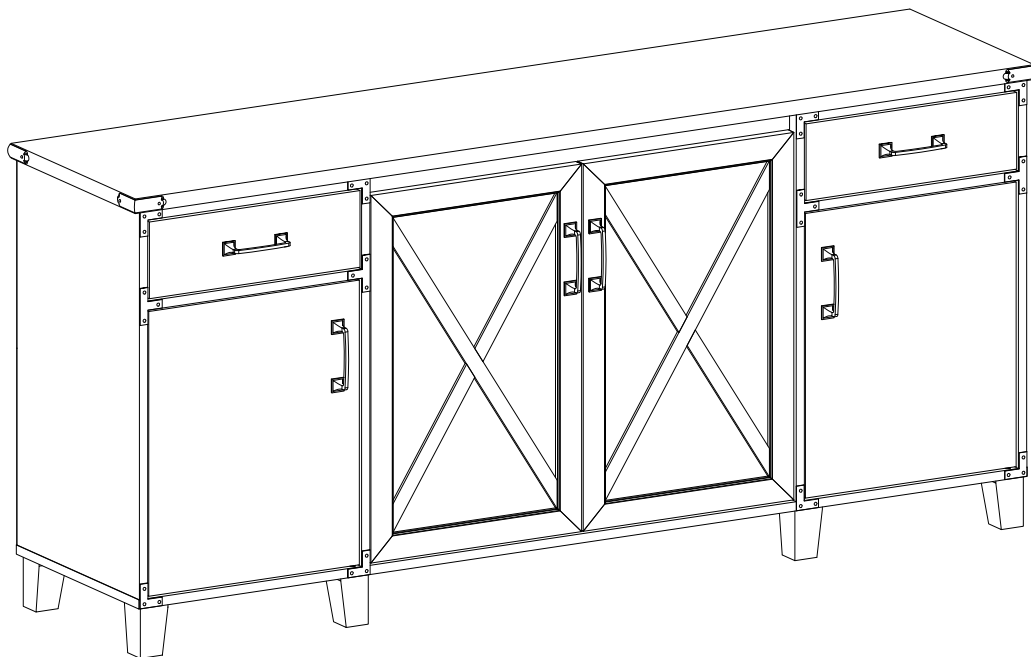


ASSEMBLY INSTRUCTIONS

Important Safety Instructions:

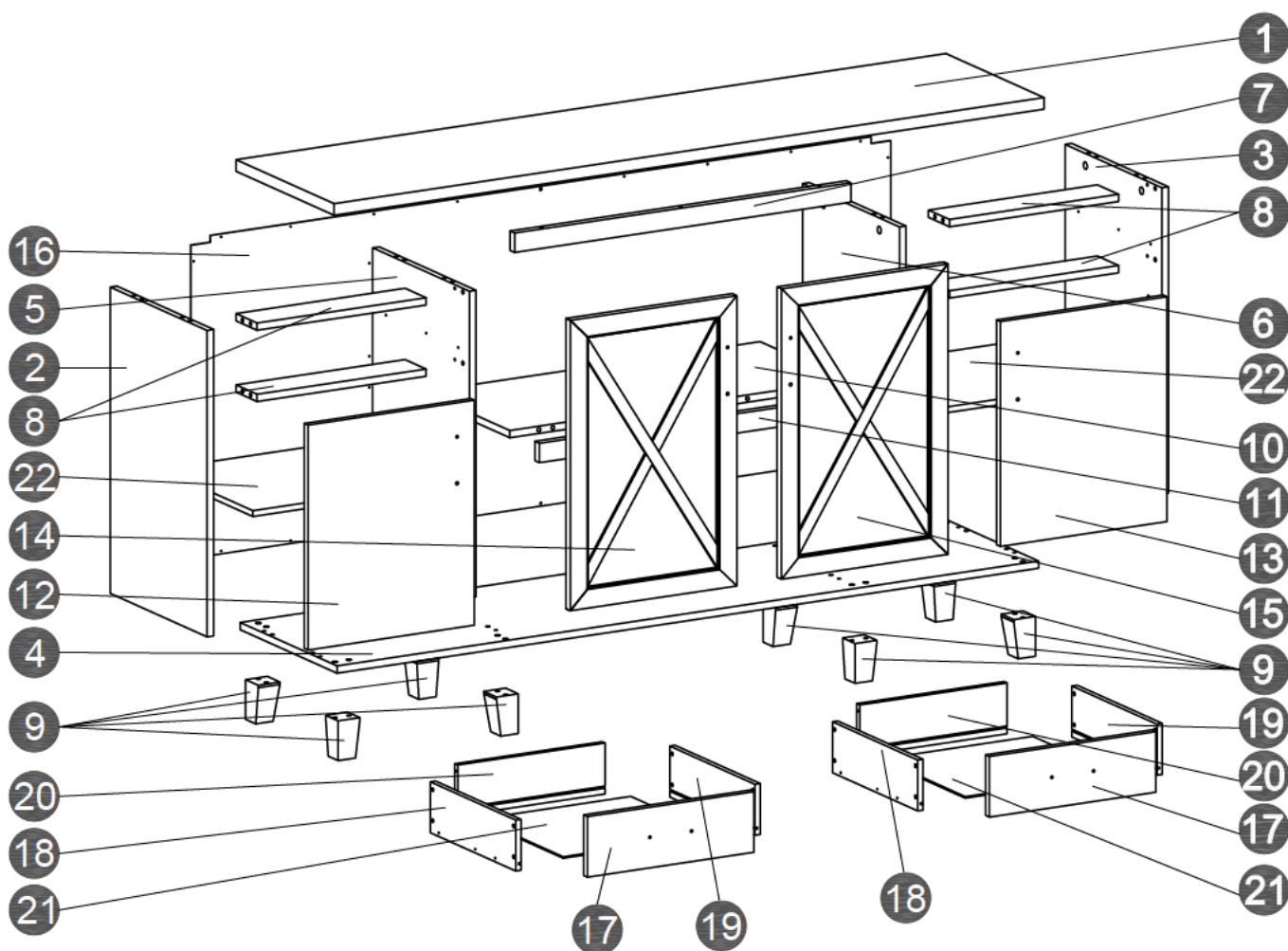
- Please read all instructions before beginning assembly
- Please make sure receive all the parcels to start the assembly
- For your safety and convenience, assembly by two people is recommended
- Use the parts and hardware lists to identify and separate each of the components included
- Save all packing materials until assembly is completed to avoid the accidental discarding of smaller parts or hardware






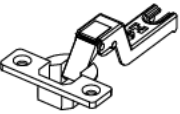
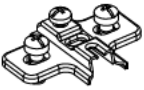



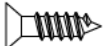
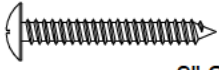
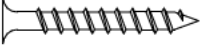
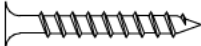
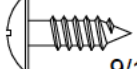
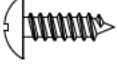

THANK YOU FOR PURCHASING

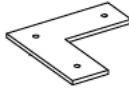
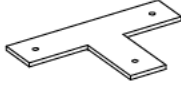

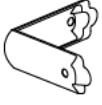
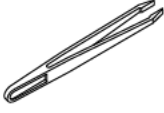



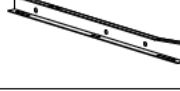
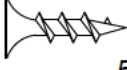

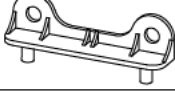




PARTS LIST

1 X1	2 X1	3 X1	4 X1	5 X1
6 X1	7 X1	8 X4	9 X8	10 X1
11 X1	12 X1	13 X1	14 X1	15 X1
16 X1	17 X2	18 X2	19 X2	20 X2
21 X2	22 X2			



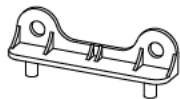
HARDWARE LIST

Name	Part	Qty.	Spare
A		19	1
B		19	1
C		28	1
D		8	
E		8	
F		6	
G	 7/8" Screw	12	1
H	 3/4" Nail	33	2
I	 1/2" Screw	24	3
J	 2" Screw	3	
K	 2" Screw	24	2
L	 1-1/2" Screw	8	1
M	 9/16" Screw	8	1
N	 1/2" Screw	8	1
O		36	3

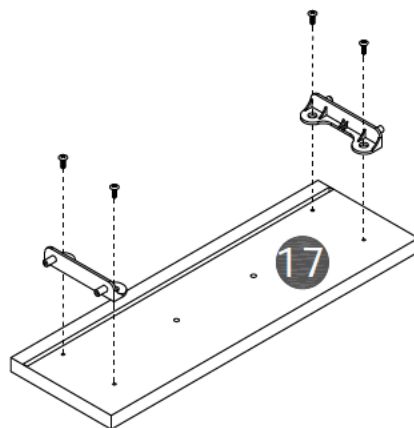
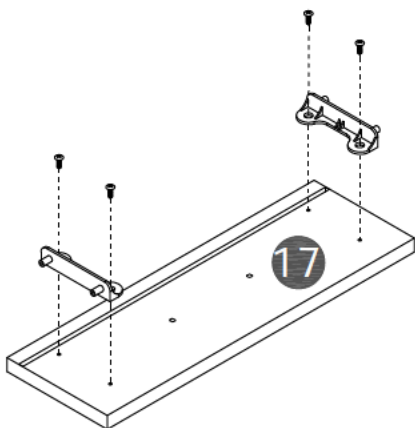
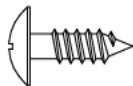
Name	Part	Qty.	Spare
P		8	
Q		4	
R	 5/6" nail	8	2
S		4	
U		1	
V	 14"	2	
W	 14"	2	
X	 14"	2	
Y	 14"	2	
Z	 5/8" Screw	16	1
AA		12	
CC		4	
U1		2	
U3		2	
U4		1	
U5		1	

STEP 1

CC x 4pcs

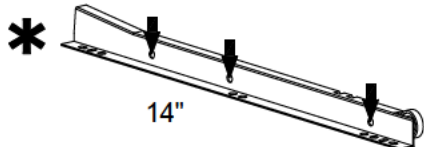


M x 8pcs

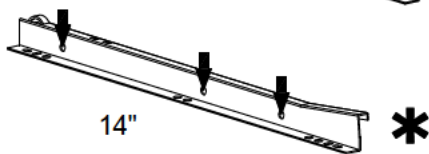


STEP 2

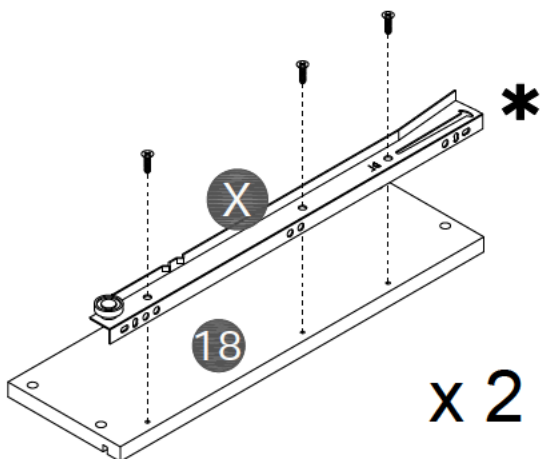
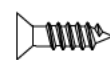
X x 2pcs



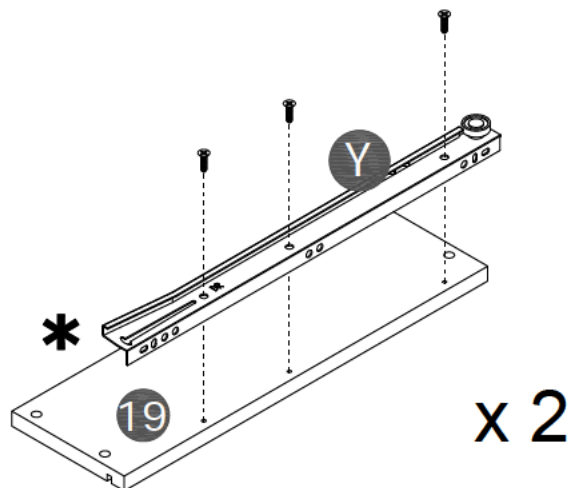
Y x 2pcs



I x 12pcs

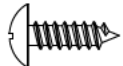


x 2

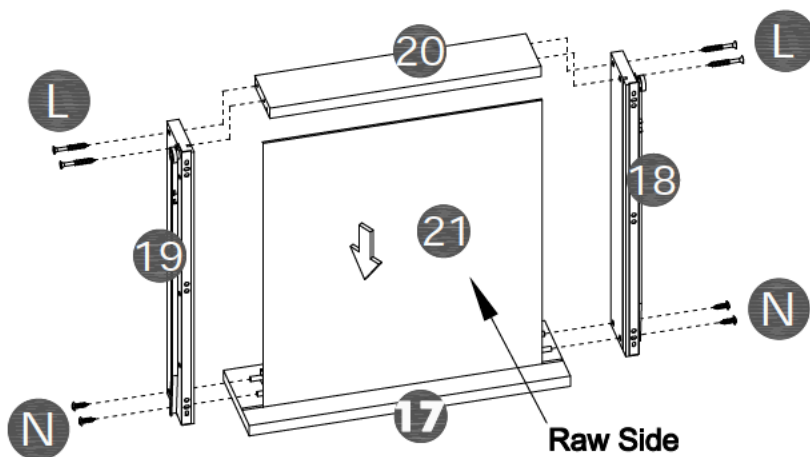


x 2

STEP 3

N x 8pcs 

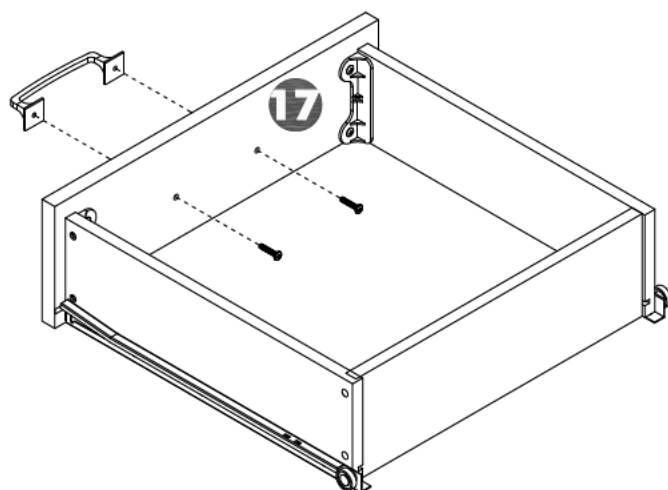
L x 8pcs 



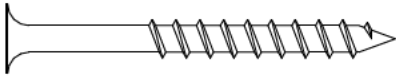
STEP 4

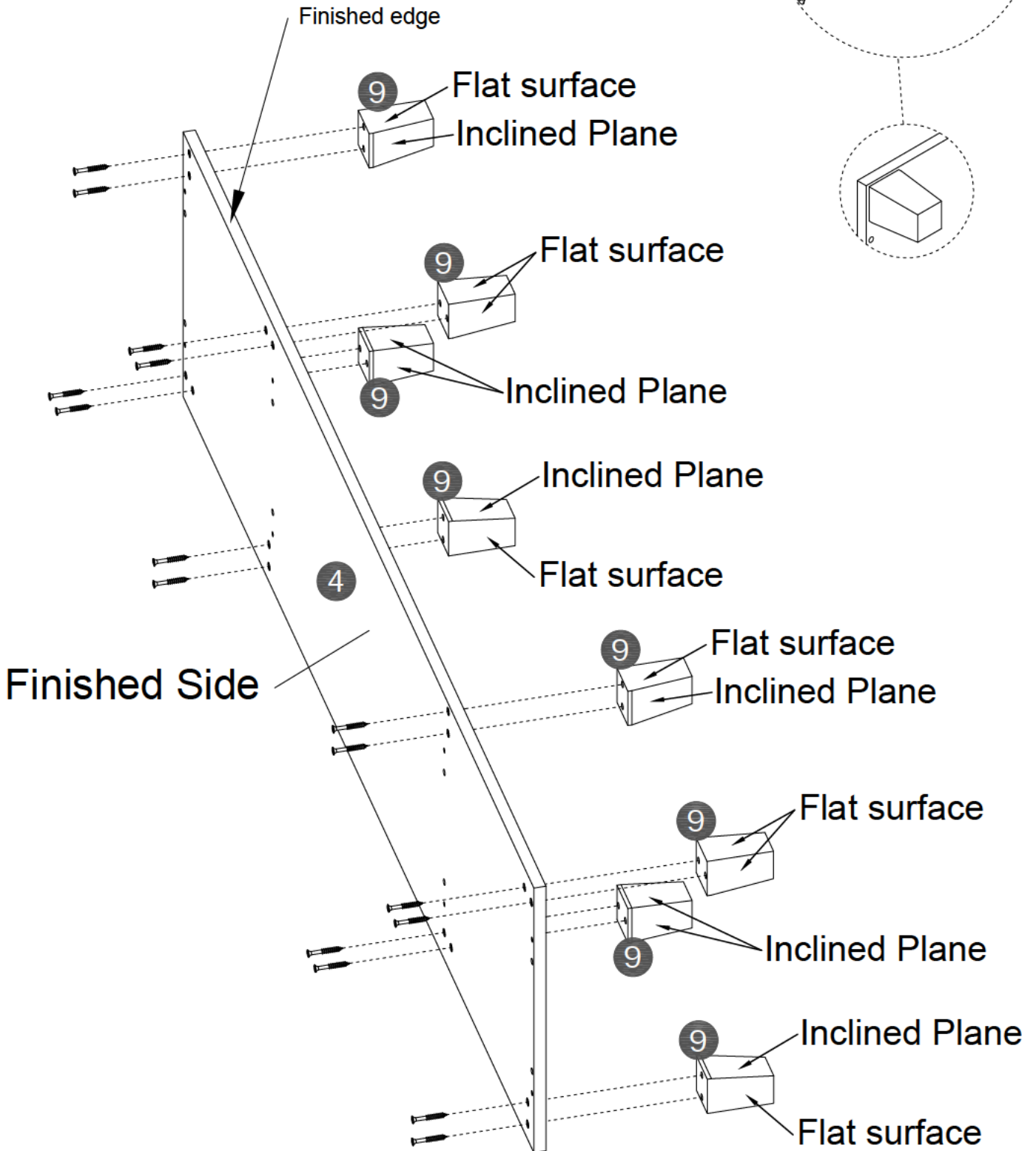
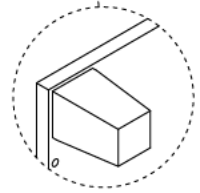
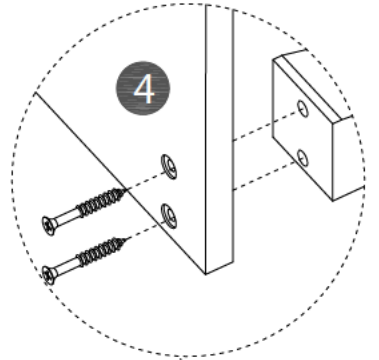
F x 2pcs 

G x 4pcs 



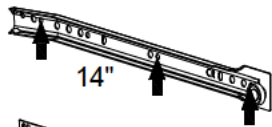
STEP 5

K x 16pcs 

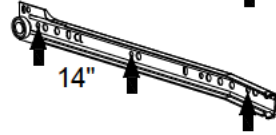


STEP 6

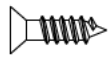
W x 1pc



V x 1pc



I x 6pcs



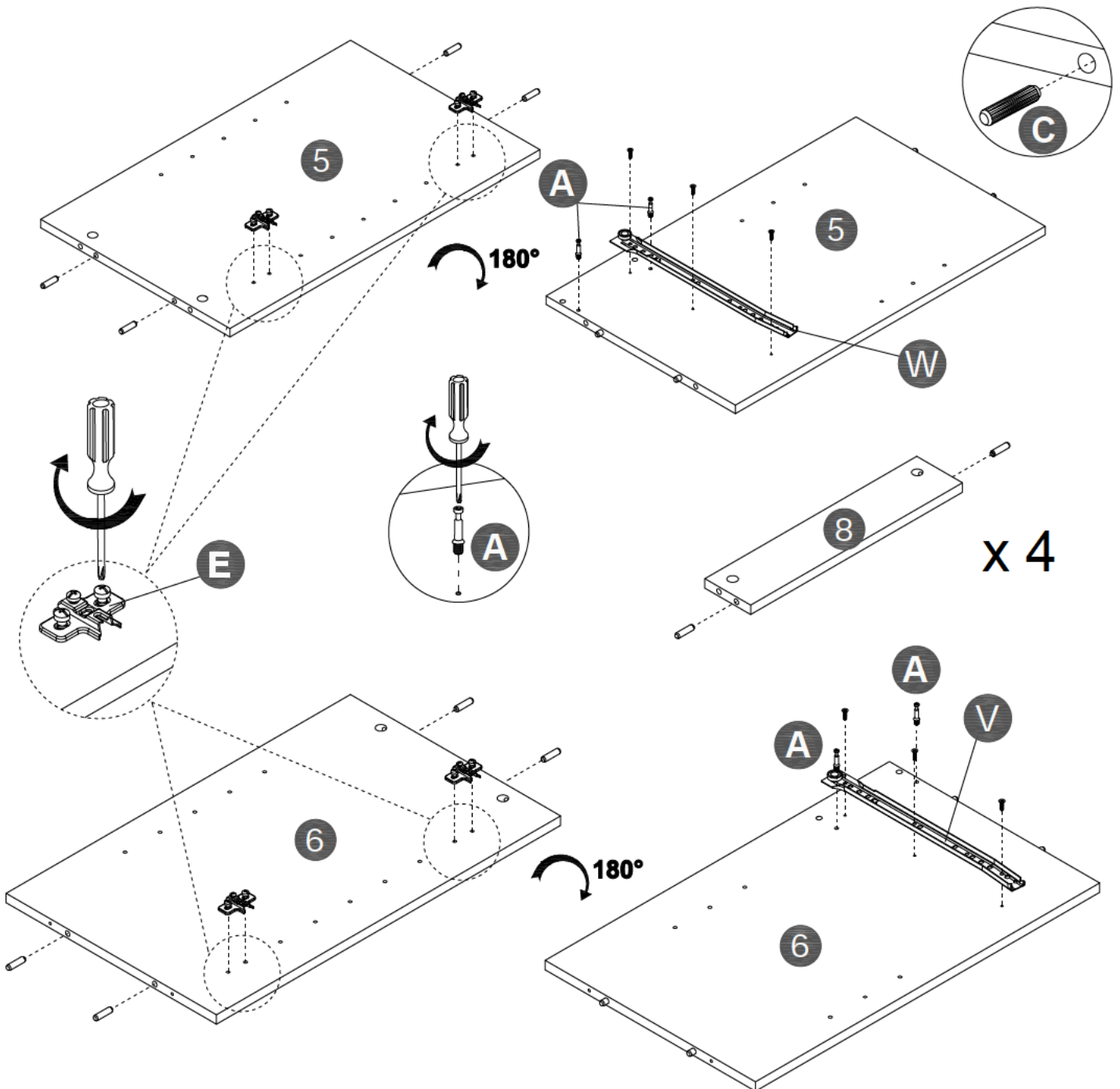
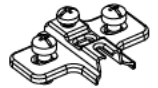
A x 4pcs



C x 16pcs

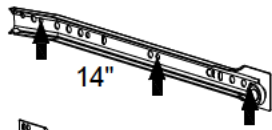


E x 4pcs

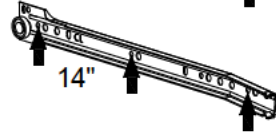


STEP 7

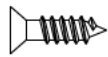
W x 1pc



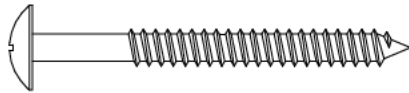
V x 1pc



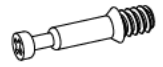
I x 6pcs



J x 3pcs



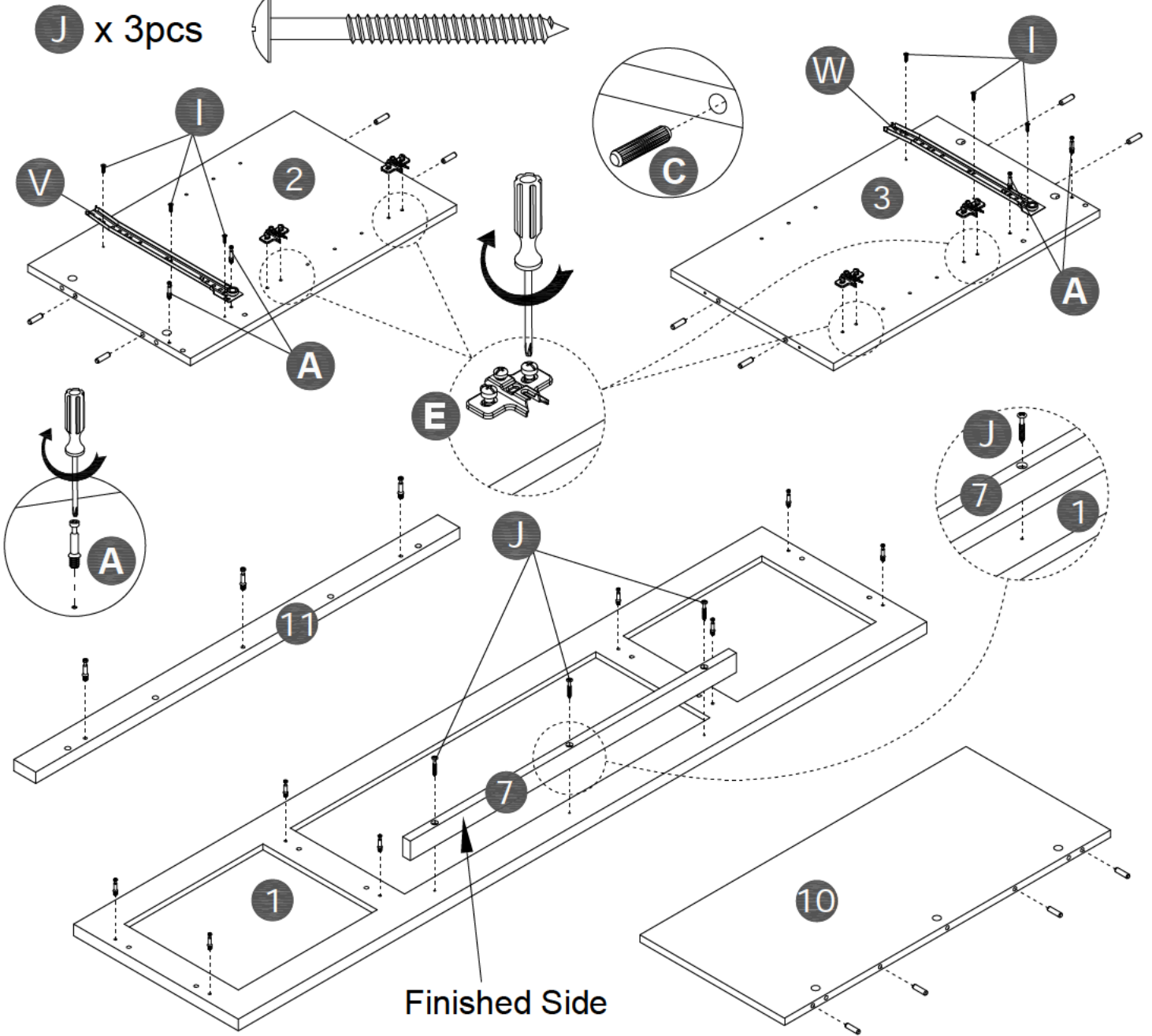
A x 15pcs



C x 12pcs

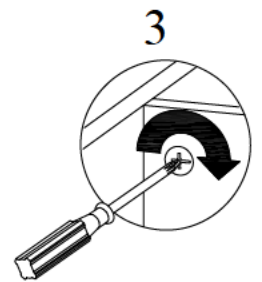
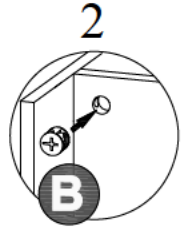
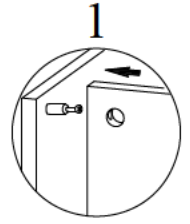
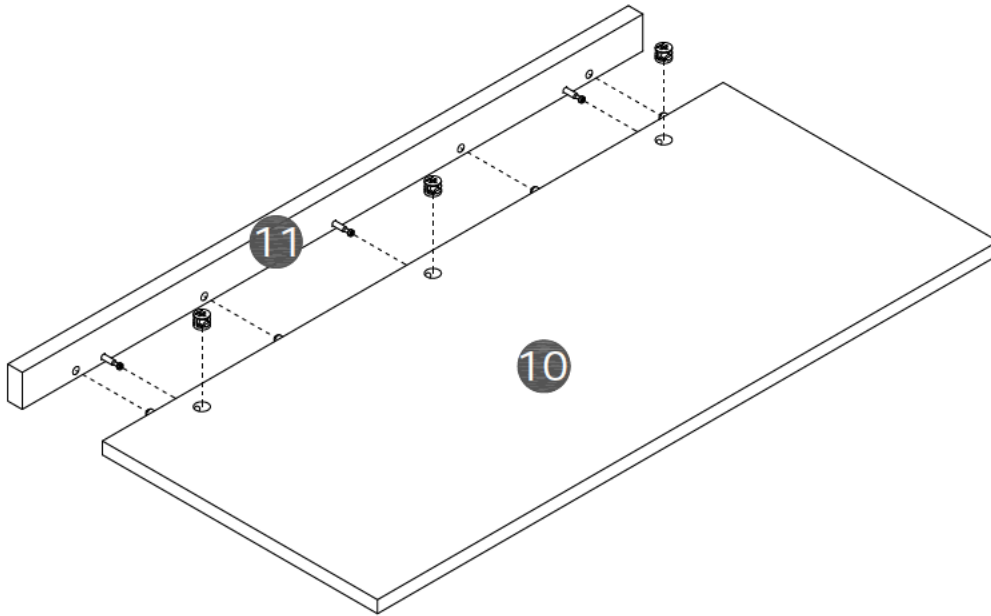


E x 4pcs



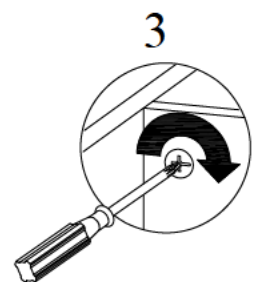
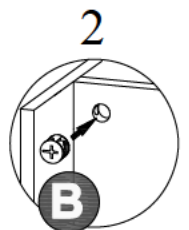
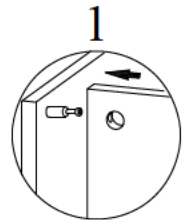
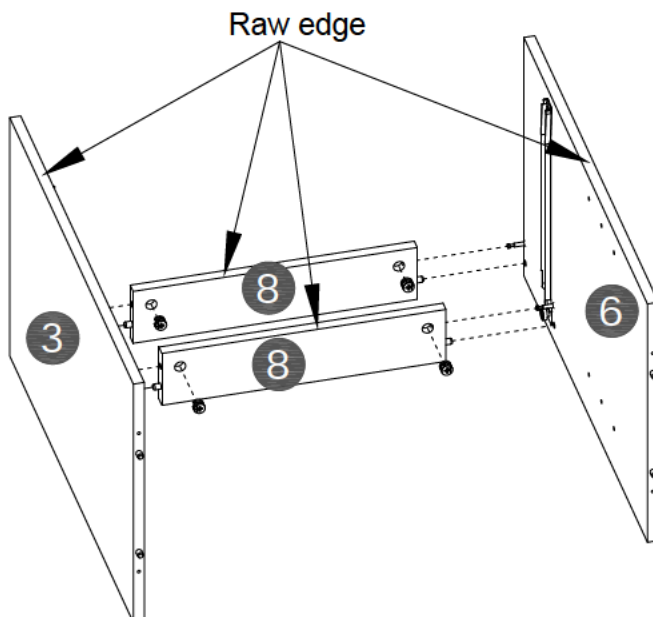
STEP 8

B x 3pcs



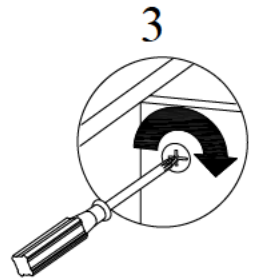
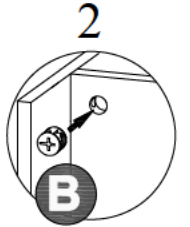
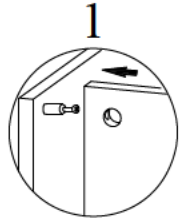
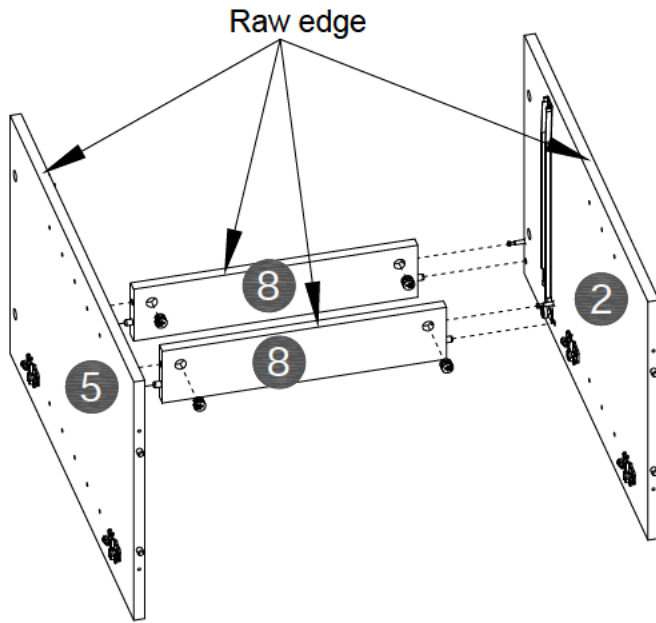
STEP 9

B x 4pcs



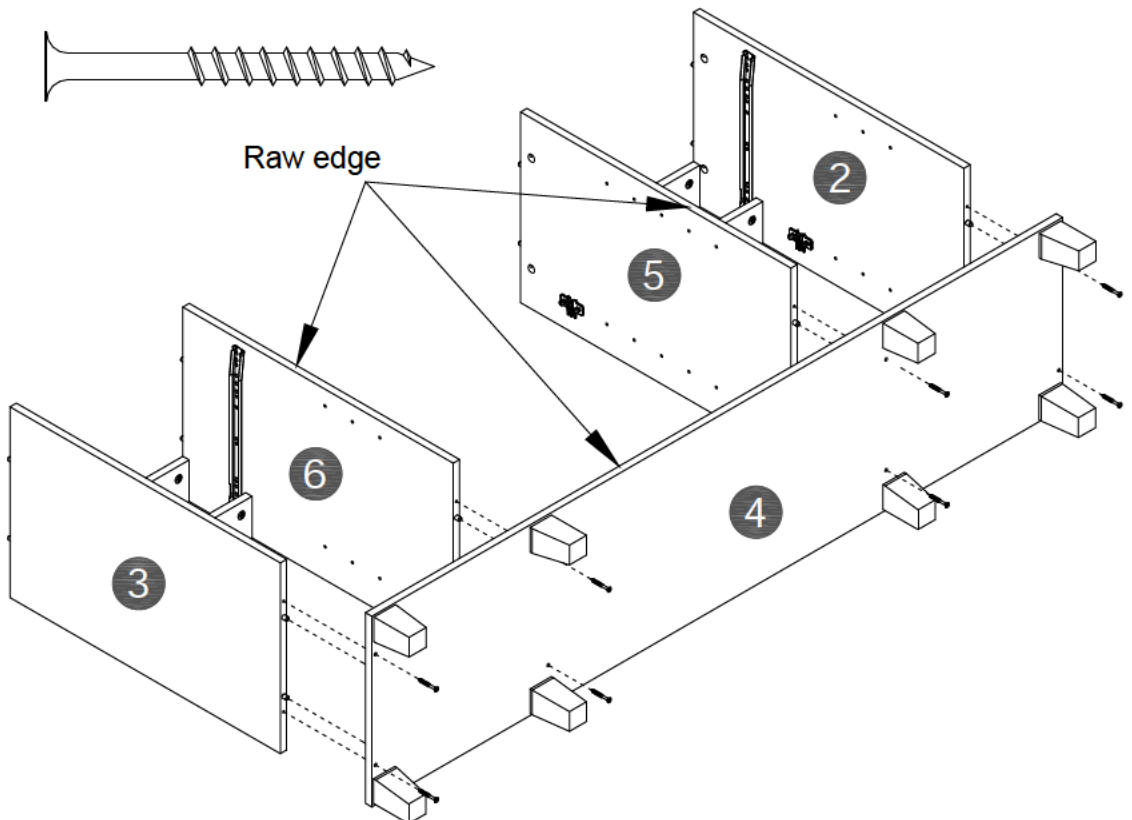
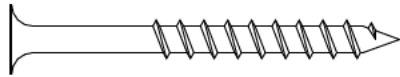
STEP 10

B x 4pcs



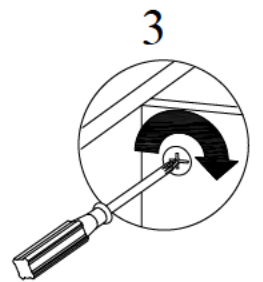
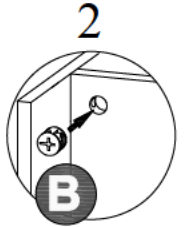
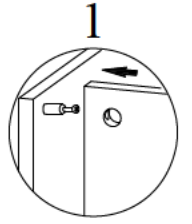
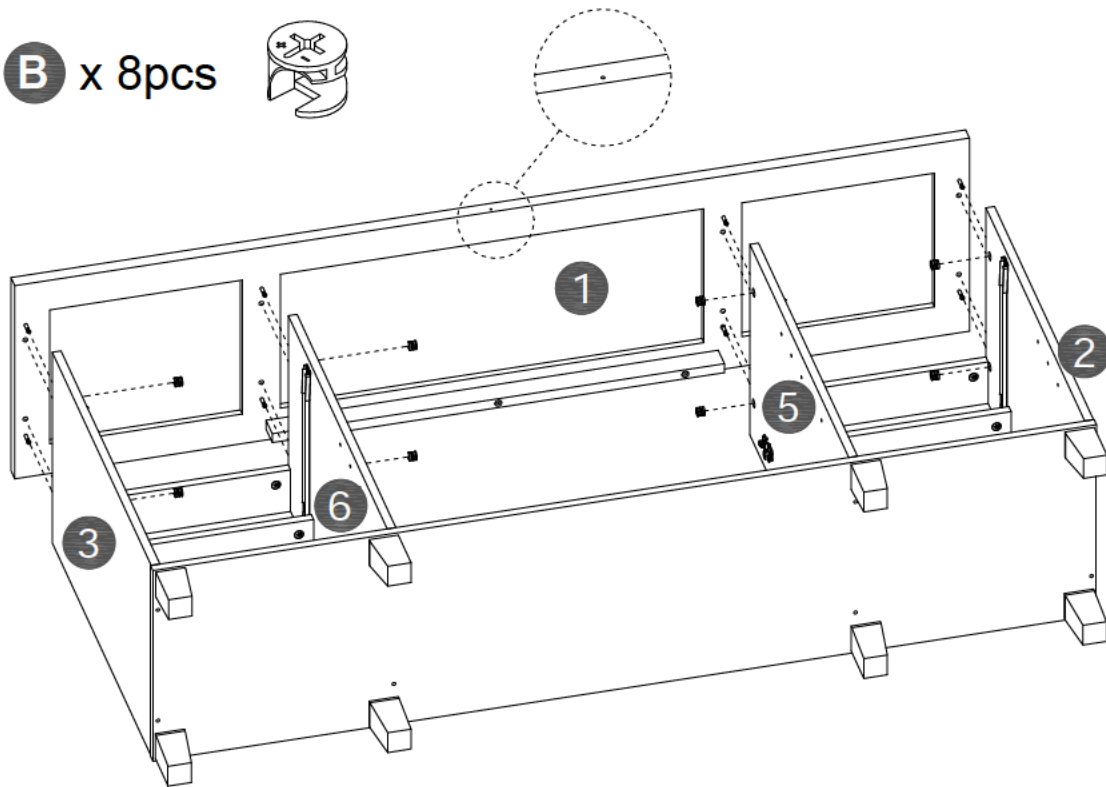
STEP 11

K x 8pcs



STEP 12

B x 8pcs

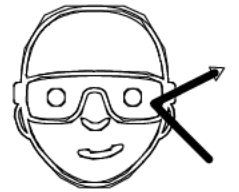


STEP 13

H x 33pcs

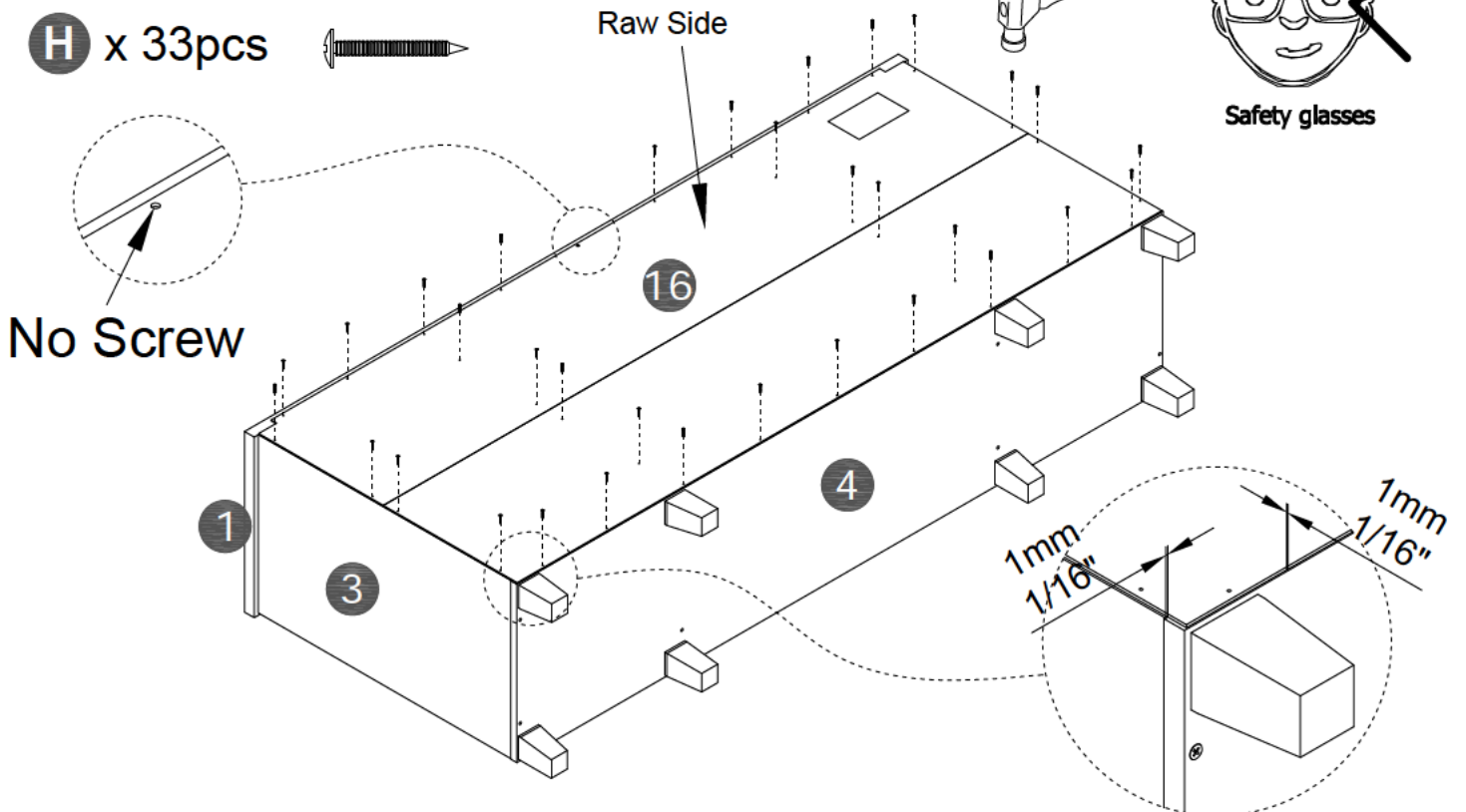


Raw Side



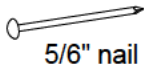
Safety glasses

No Screw



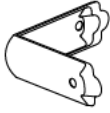
STEP 14

R x 4pcs

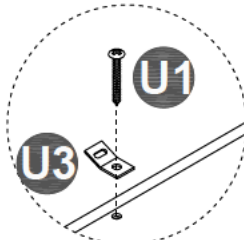
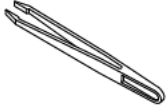


5/6" nail

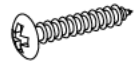
S x 2pcs



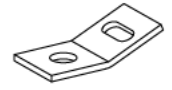
U



U1 x 1pc

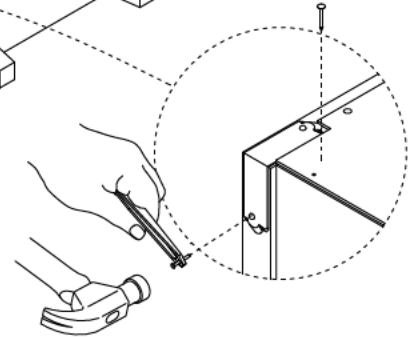
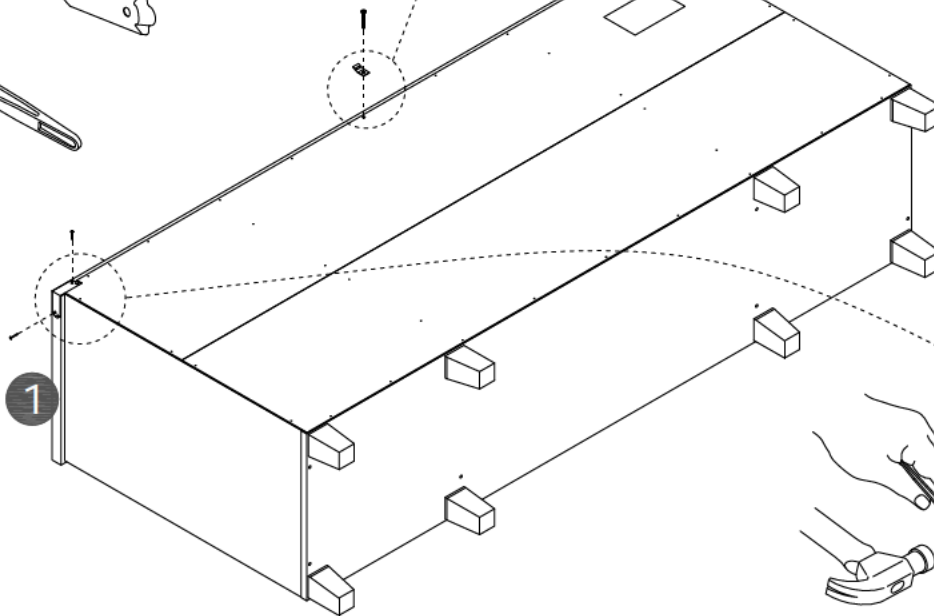


U3 x 1pc



Connecting Plate

1



STEP 15

With assistant carefully flip unit over.

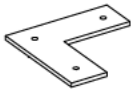
O x 36pcs



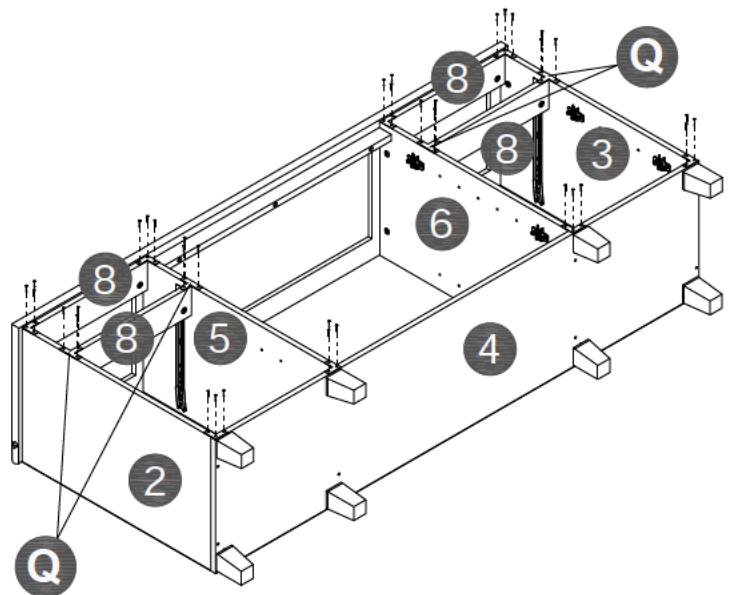
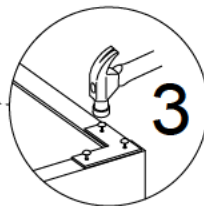
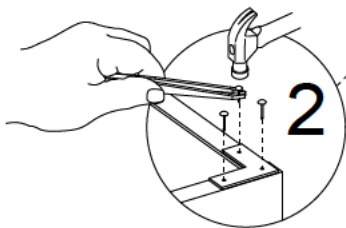
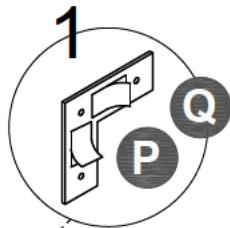
Q x 4pcs



P x 8pcs

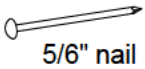


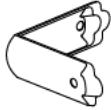
U



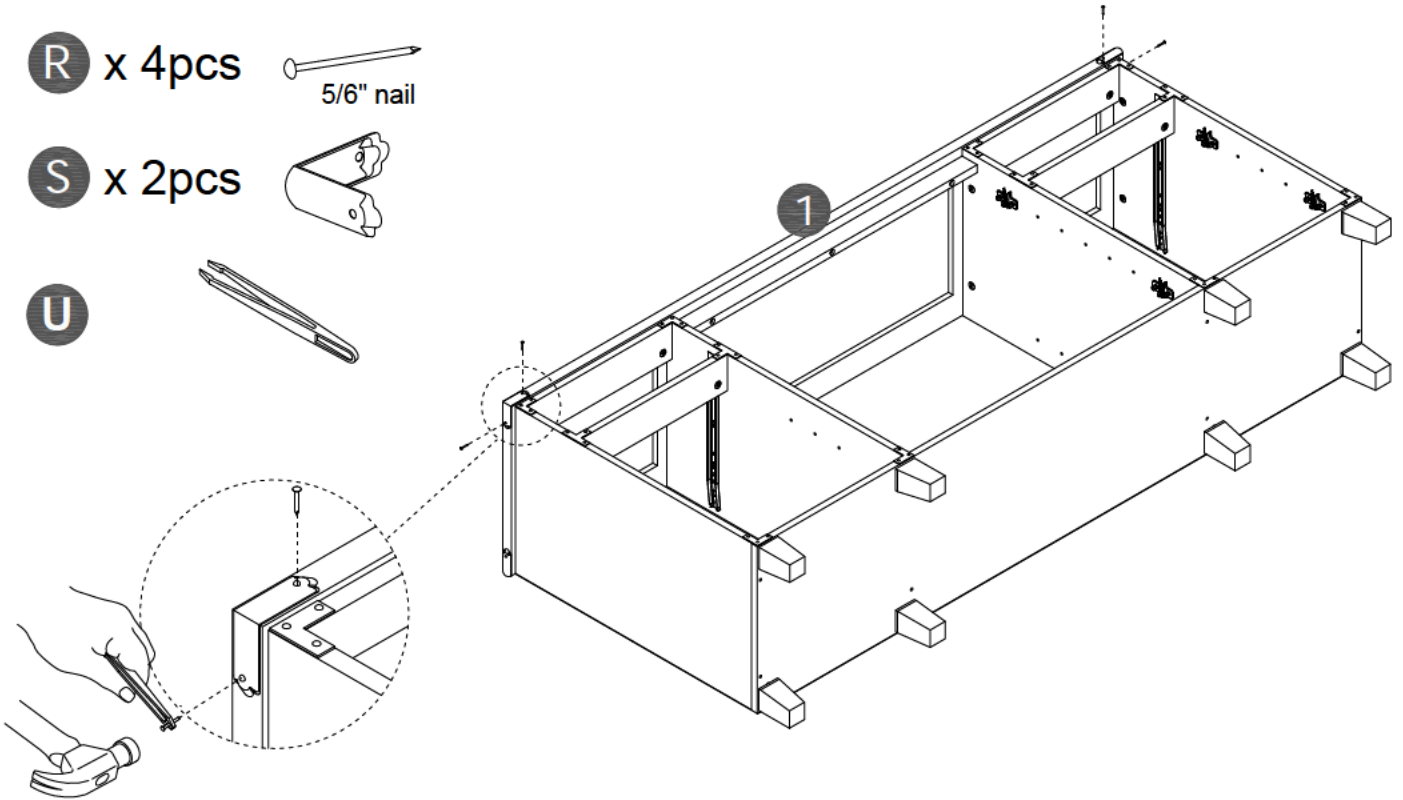
Peel off the adhesive sticker's protective paper and bond it onto the designated position before secure with nails.

STEP 16

R x 4pcs  5/6" nail

S x 2pcs 

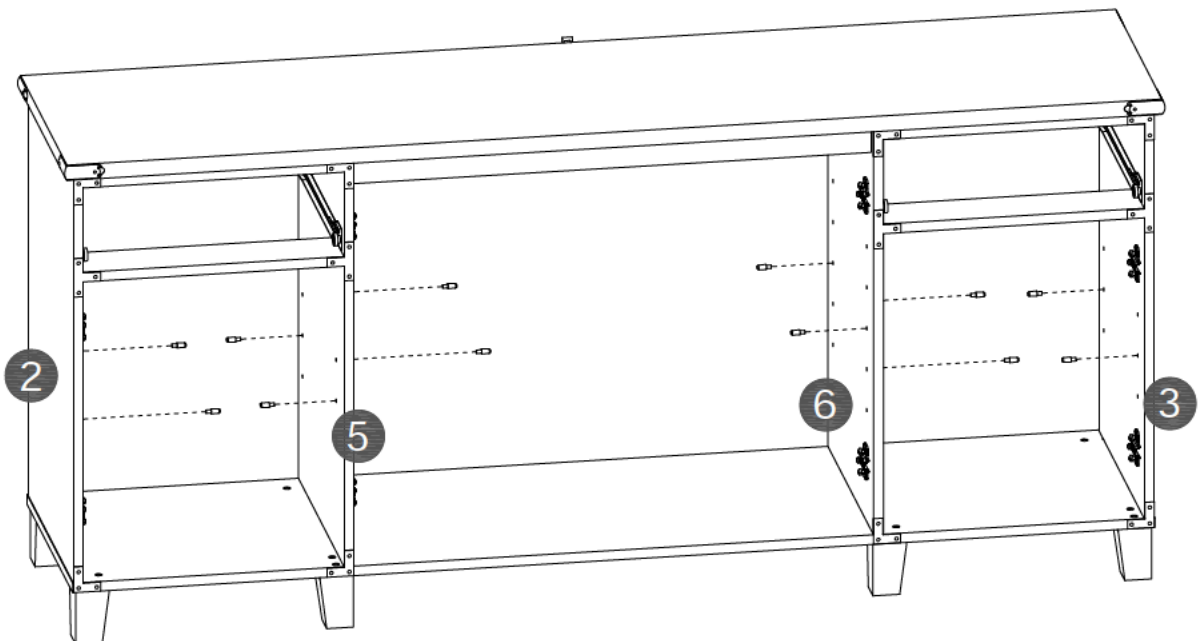
U 



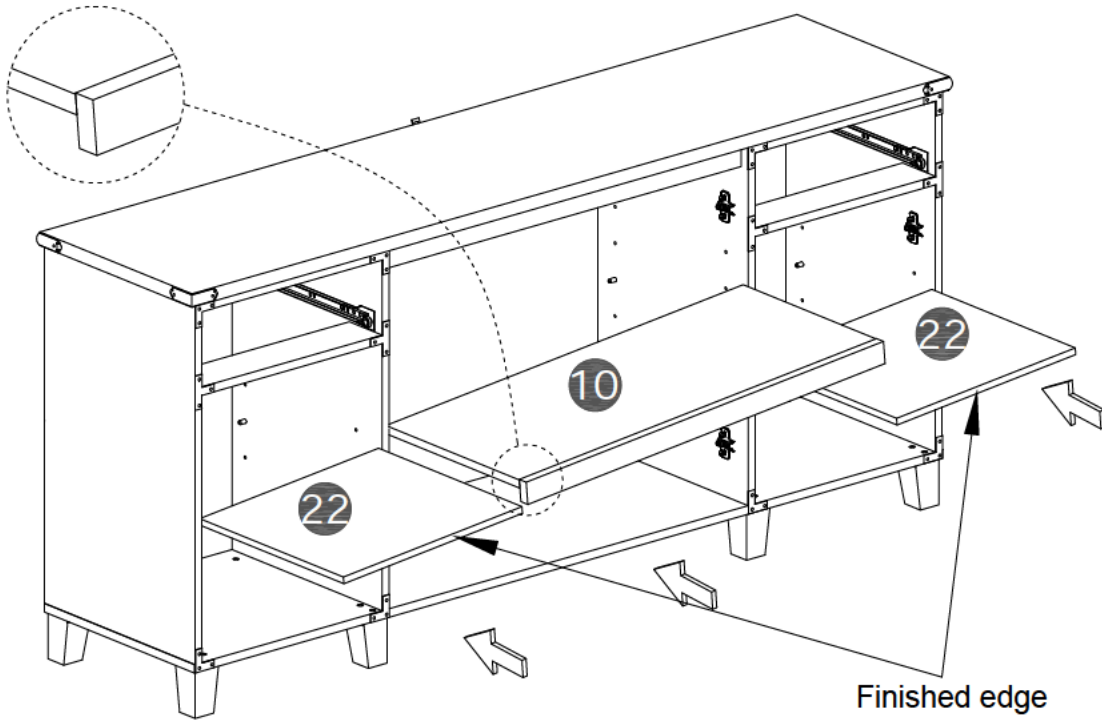
STEP 17

AA x 12pcs 

With assistant carefully stand unit up.



STEP 18



STEP 19

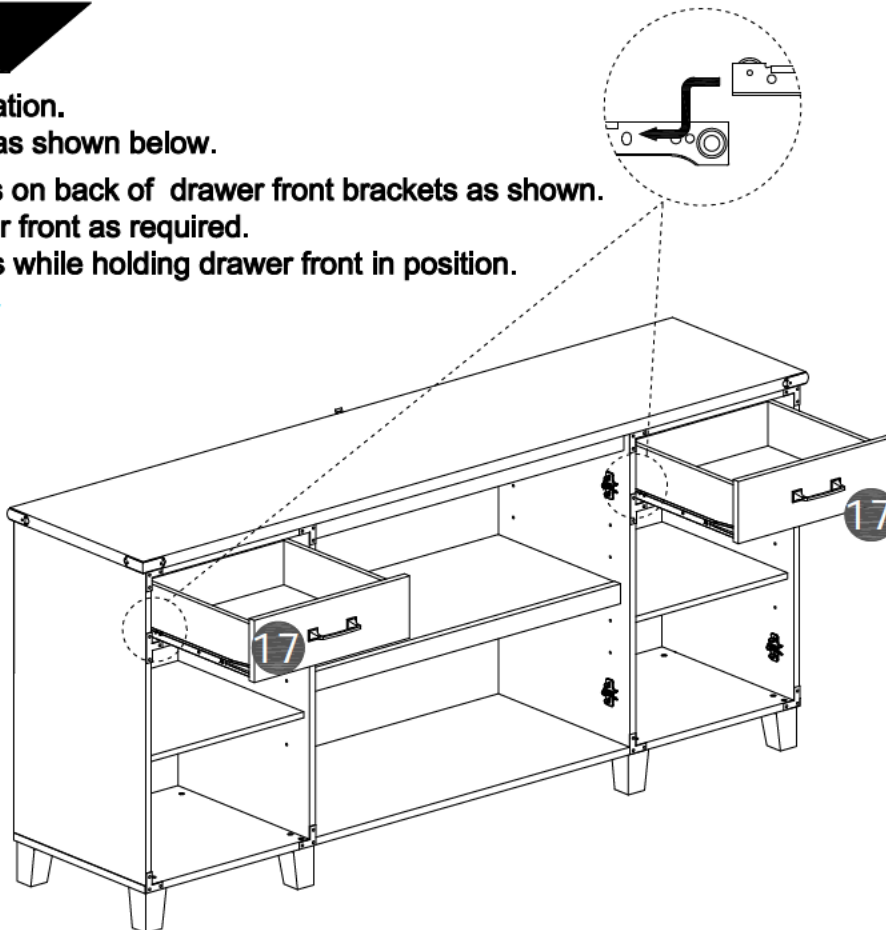
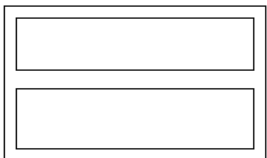
- Move unit to final location.
- Adjust drawer fronts as shown below.

Step1—Loosen screws on back of drawer front brackets as shown.

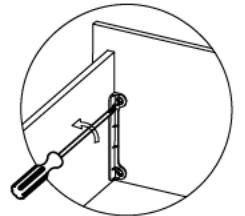
Step2—Position drawer front as required.

Step3—Tighten screws while holding drawer front in position.

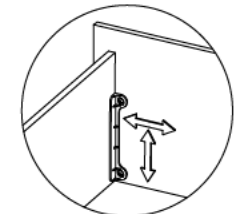
DRAWER FRONT VIEW



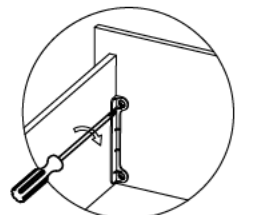
STEP 1.



STEP 2.

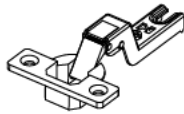


STEP 3.

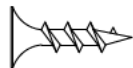


STEP 20

D x 8pcs



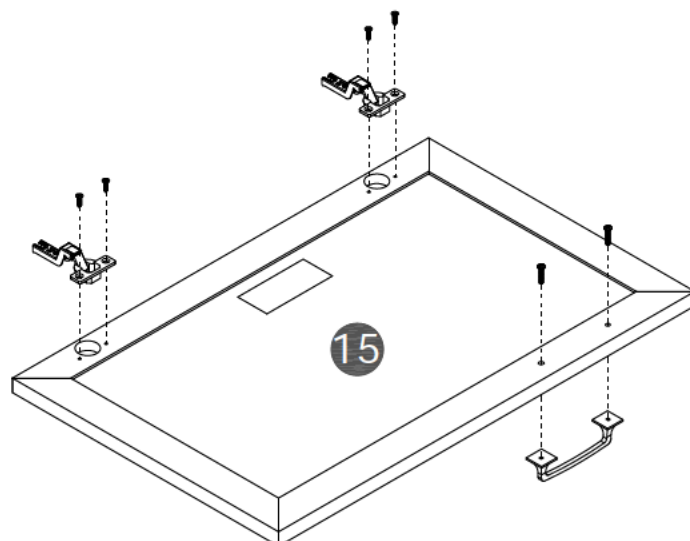
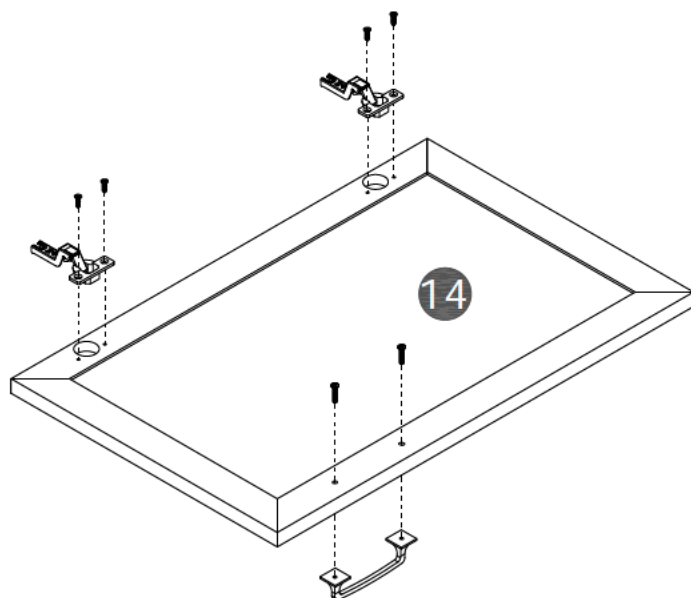
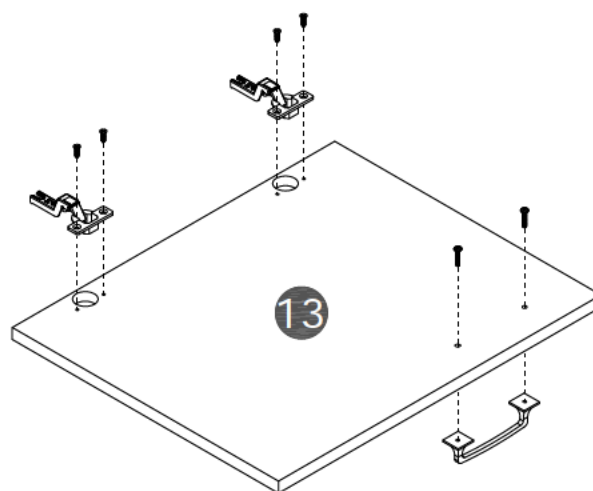
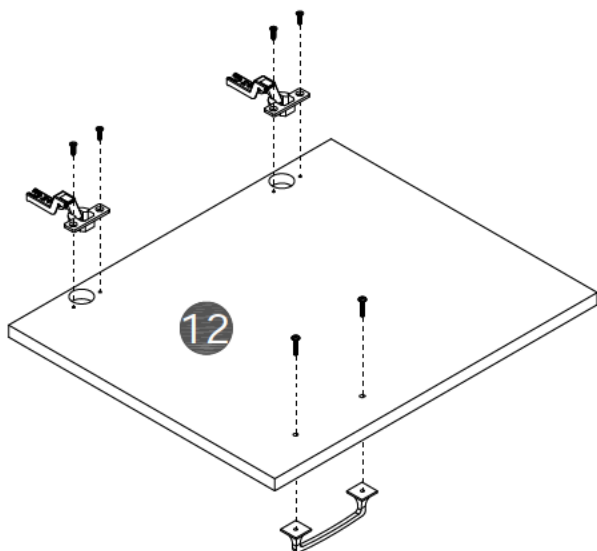
Z x 16pcs



F x 4pcs



G x 8pcs

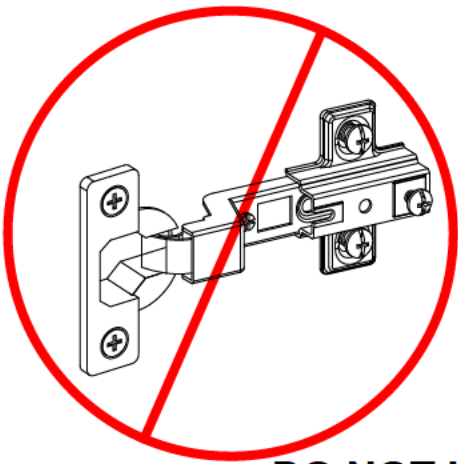
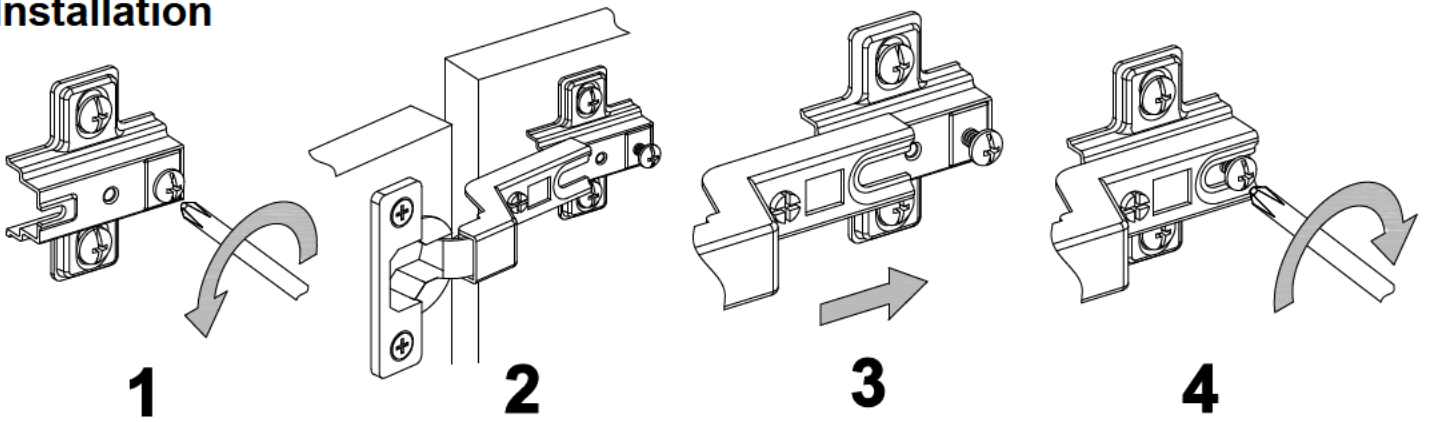


WARNING

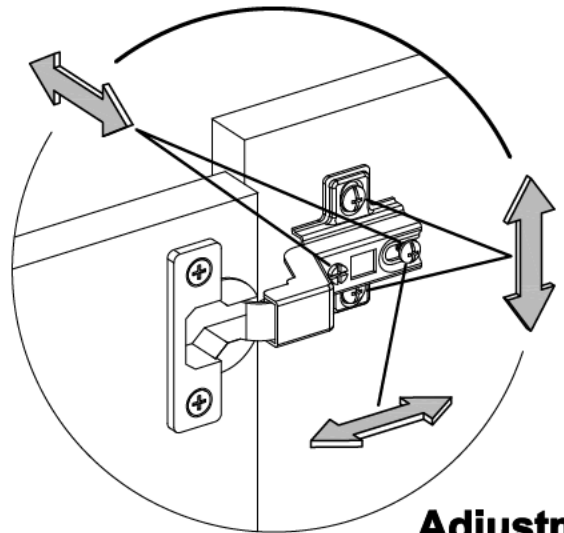
Caution, Storing electronic equipment may result in equipment overheating.
Shelves located behind doors are not intended for storing electronic equipment. Placing electronic equipment in this area may result in equipment overheating

STEP 21

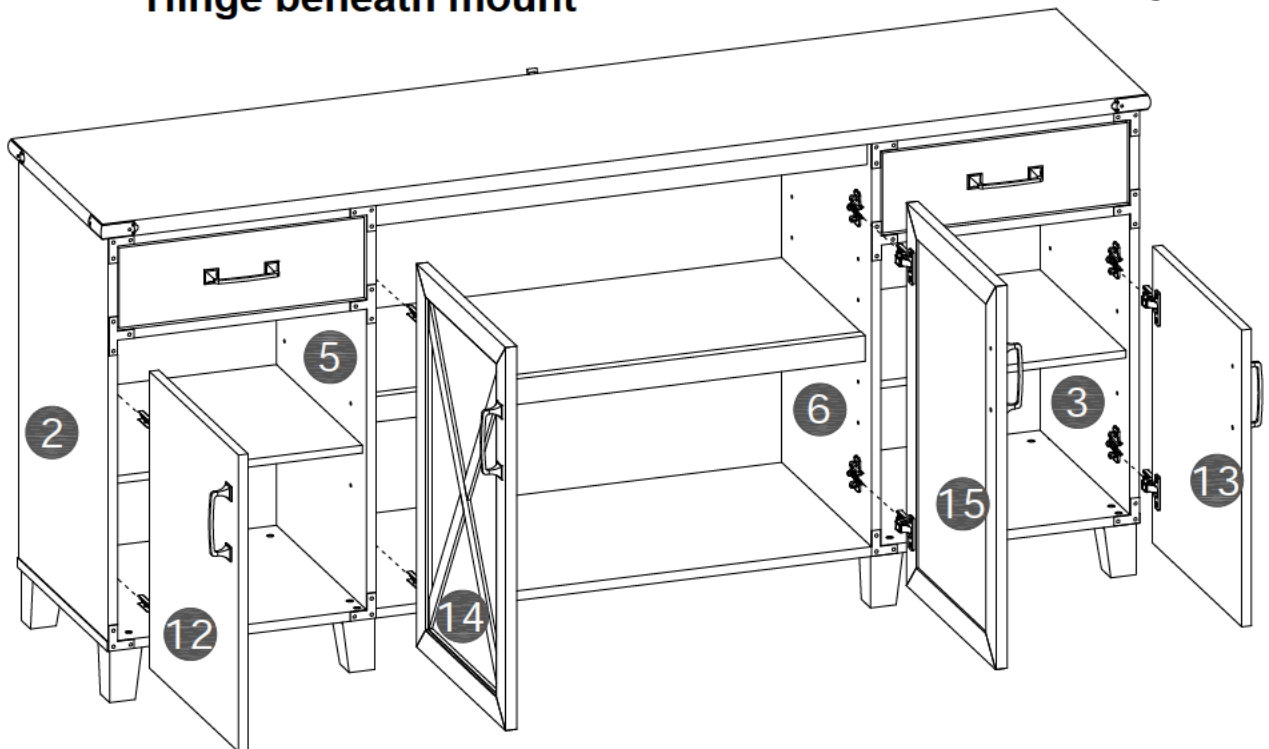
Installation



**DO NOT Insert
Hinge beneath mount**

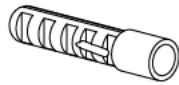


Adjustment

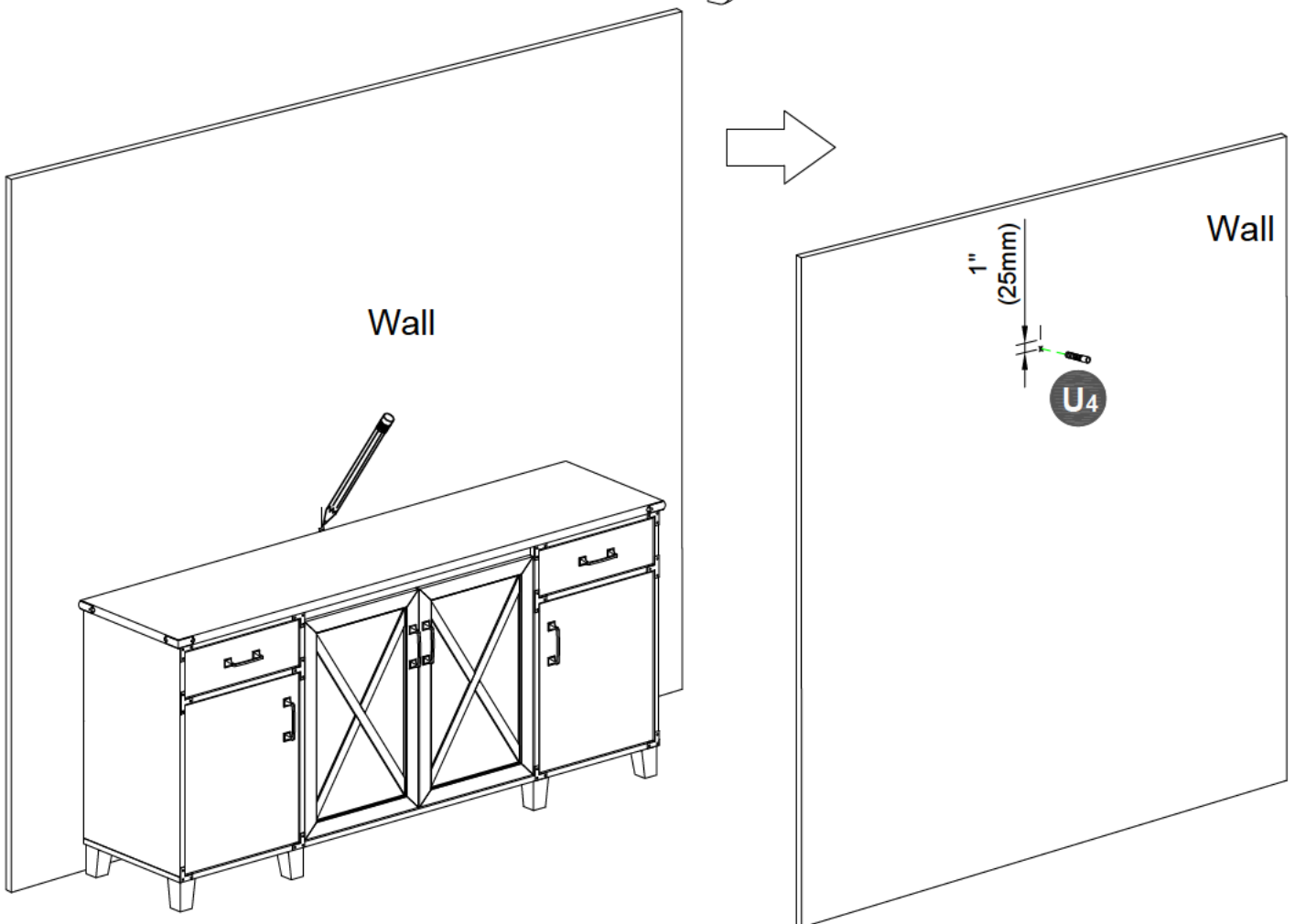
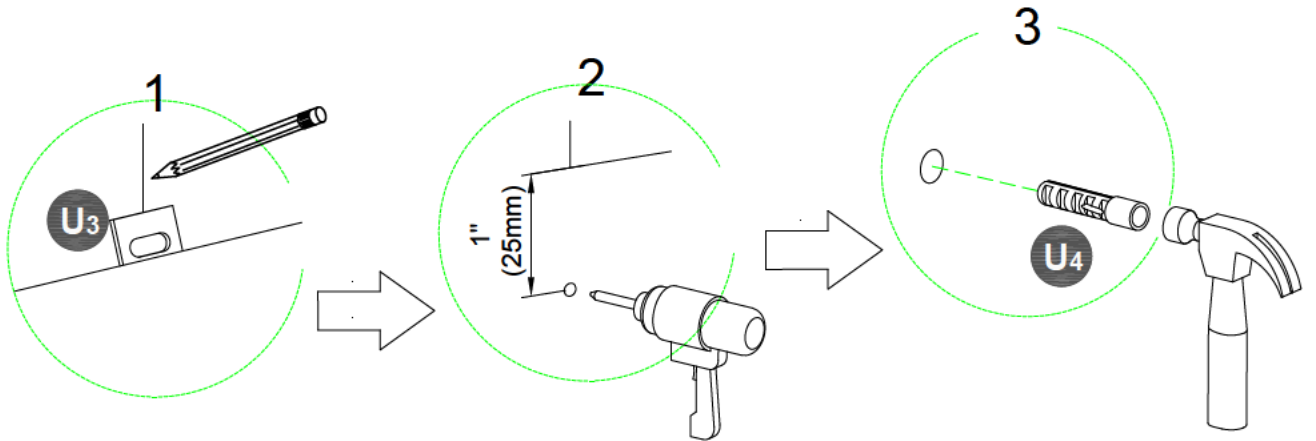


STEP 22

U₄ x 1pc



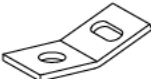
1. Place unit in desired location.
2. Mark stud location on the wall, 1" below top and side of unit.
3. Drill 5/16" hole 2" deep at marks on the wall.

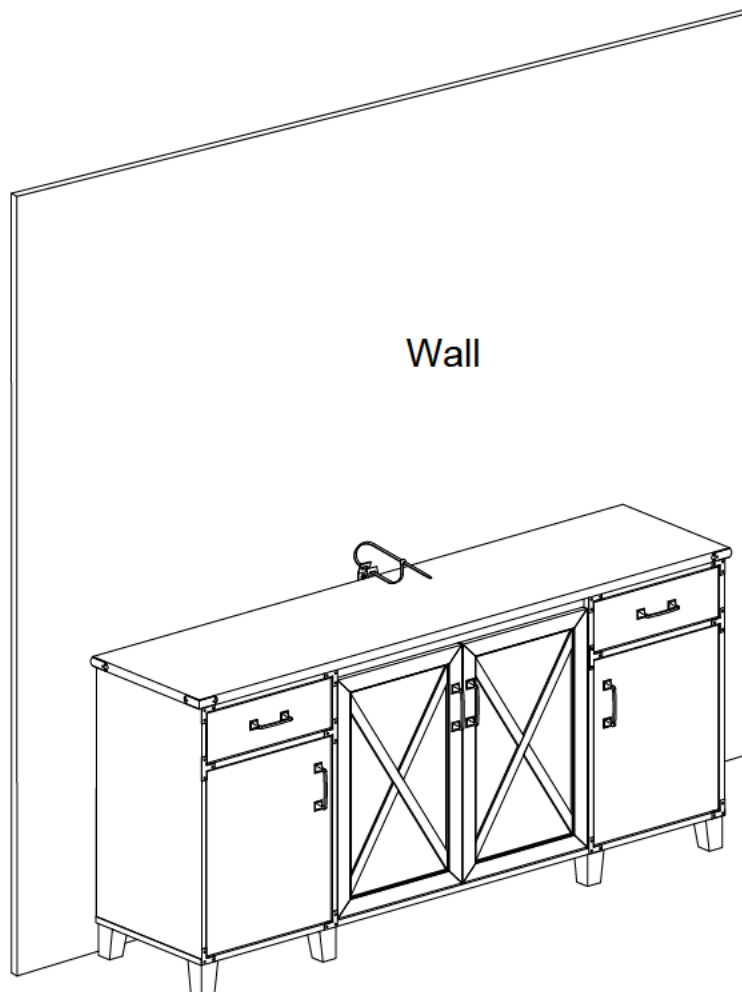
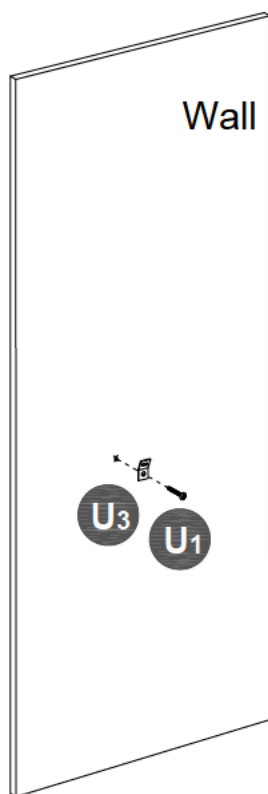
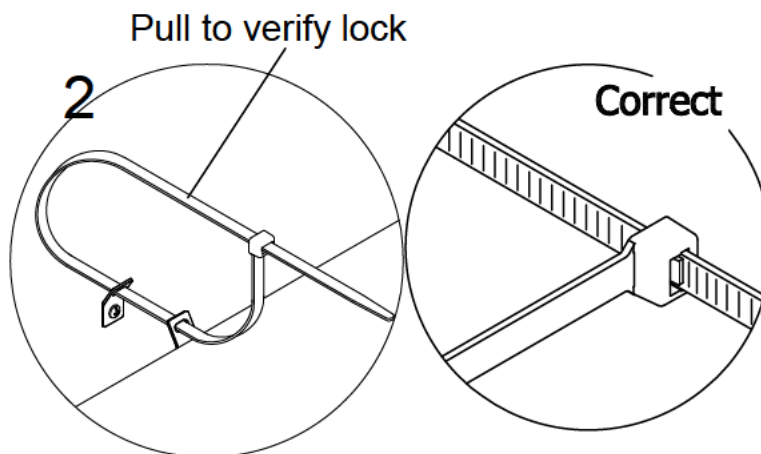
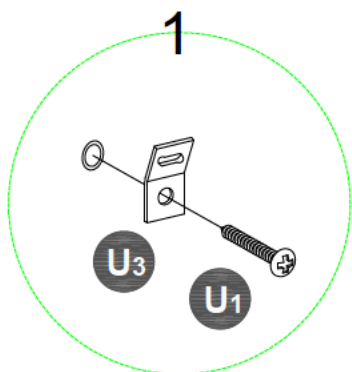


STEP 23

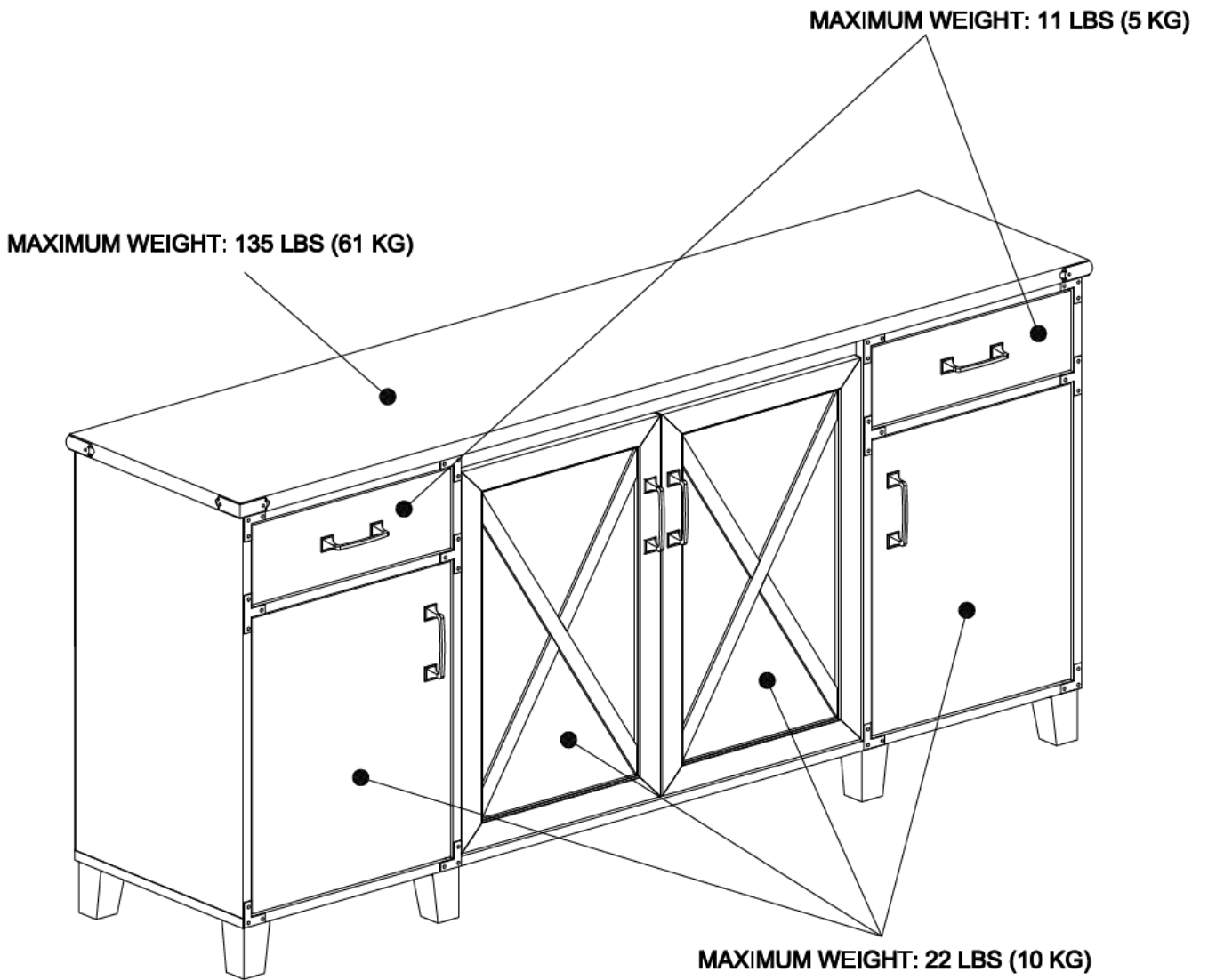
U₁ x 1pc 

U₅ x 1pc 

U₃ x 1pc 



Maximum weight capacities



What is Proposition 65?

Proposition 65 is a California law that requires warning labels on products that may contain one of more than 800-plus chemicals or ingredients that the California Office of Environmental Health Hazard Assessment(OEHHA) has deemed to cause cancer or other reproductive toxicity. chemicals and elements on this list include wood dust , brass , and other everyday substances, which can be found in very common household items, such as : lamps , tableware , jewelry , crystal glasses , electric cords , beauty products , automobiles , and furniture.

Why Did I Find a Proposition 65 Warning on My Home Goods Product?

We include Proposition 65 warnings on all of our products because there is always a chance that one of the 800-plus common chemicals and ingredients listed under this law could potentially be on our furniture or packing materials. We risk large fines under this law , if we don't include this warning.

Should I worry?

We realize you may be worried finding this warning on our products , but we want to reassure you that the hazardous exposure limits for any of these chemicals have never been found on furniture products that we've shipped to our customers. Additionally, this warning label is very common and can be found on almost every piece of furniture sold in the state of California.

Just How Common Are Proposition 65 Warnings?

Proposition 65 warnings have become so common in California that it is hard to take a trip to local bank, grocery store , or restaurant without finding at least one warning. In fact, even the Disney Land Resort has a Proposition 65 warning:

