

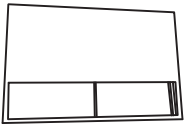
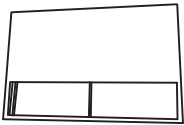

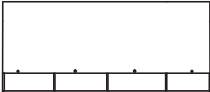
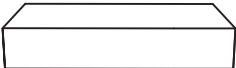





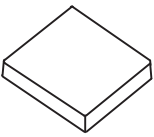
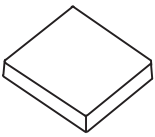

# ASSEMBLY INSTRUCTION

For any missing or damaging parts, hardware, or any other problems, WELCOME to email us at: [SERVICE@RILYSON.COM](mailto:SERVICE@RILYSON.COM) Or 1-888-733-8169 Toll free Monday-Friday 9AM - 5PM EST

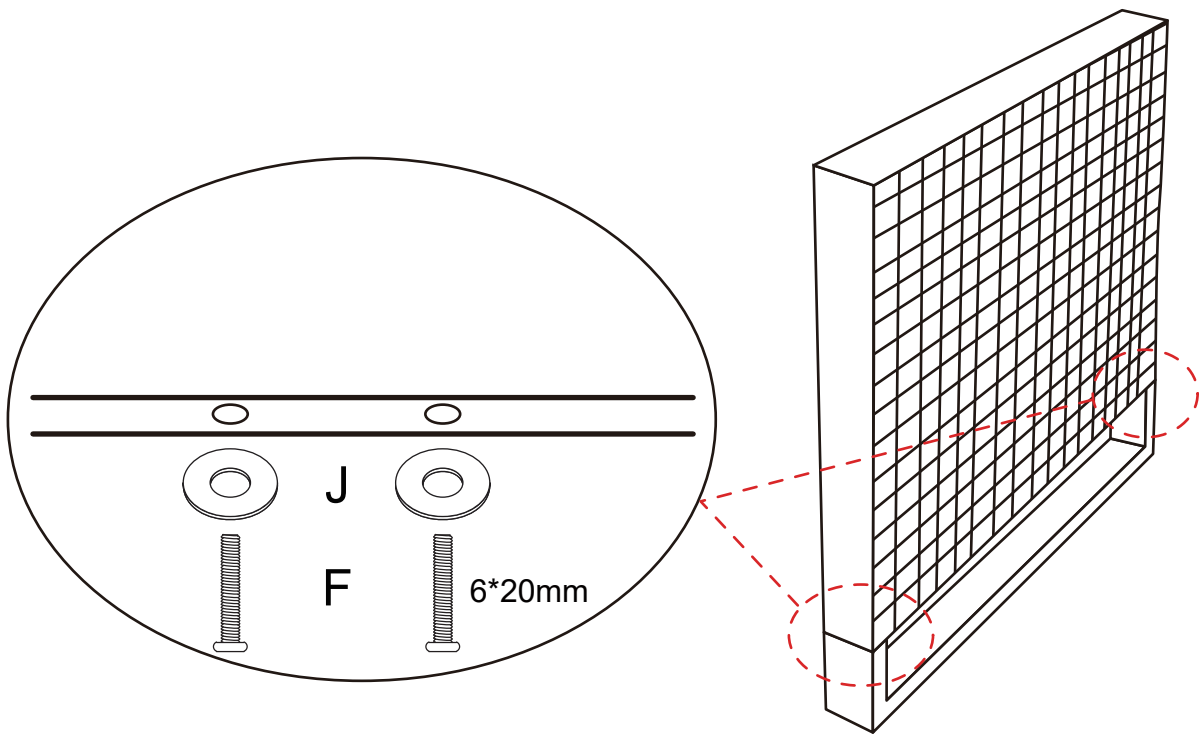
\* Don't fully tighten all the bolts till the very end!

#### PRE-ASSEMBLY PREPARATION:

- Please read through the instructions before beginning assembly.
- Clear out the space for assembly and lay out all of the parts based on the Parts List, extra room will allow you to easily determine if all the pieces are present.
- Keep small parts and pieces away from children until fully assembled.

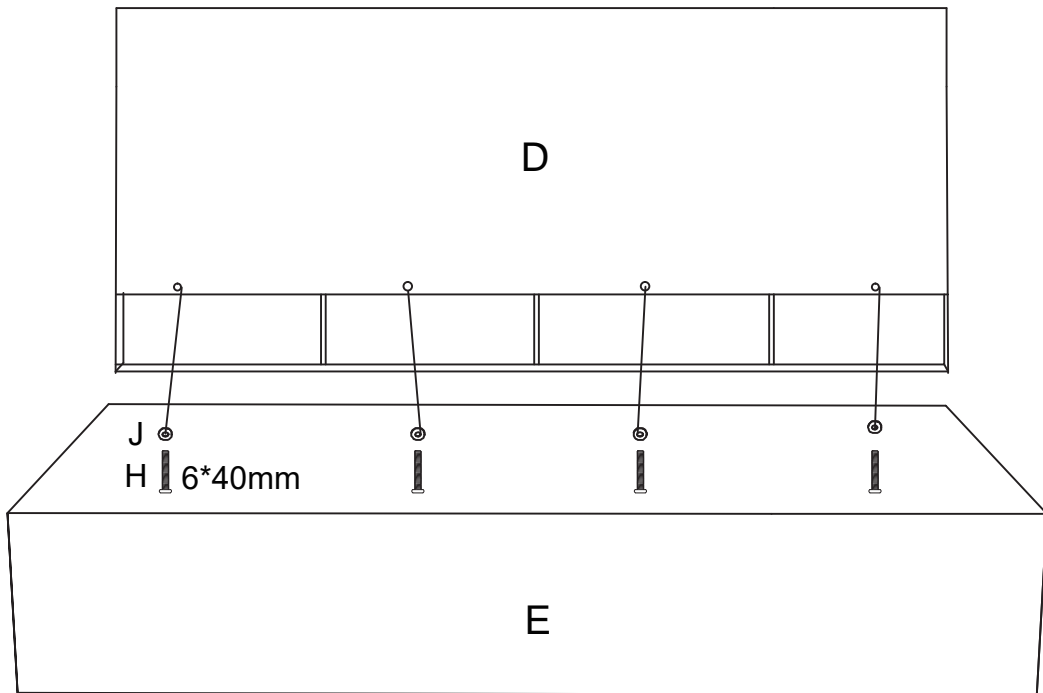
Part No.	Part	Qty	Image	Part No.	Part	Qty	Image
A	Left Arm	1		B	Right Arm	1	
C	Feet	2		D	Back	1	
E	Seat	1		F	Bolt	8	 M6 * 20MM
G	Bolt	6	 M6 * 35MM	H	Bolt	4	 M6 * 40 MM
I	Bolt	2	 M6 * 95MM	J	Washer	20	
K	Back Cushion	3		L	Seat Cushion	3	
M	Hex Wrench	1					

**STEP 1**



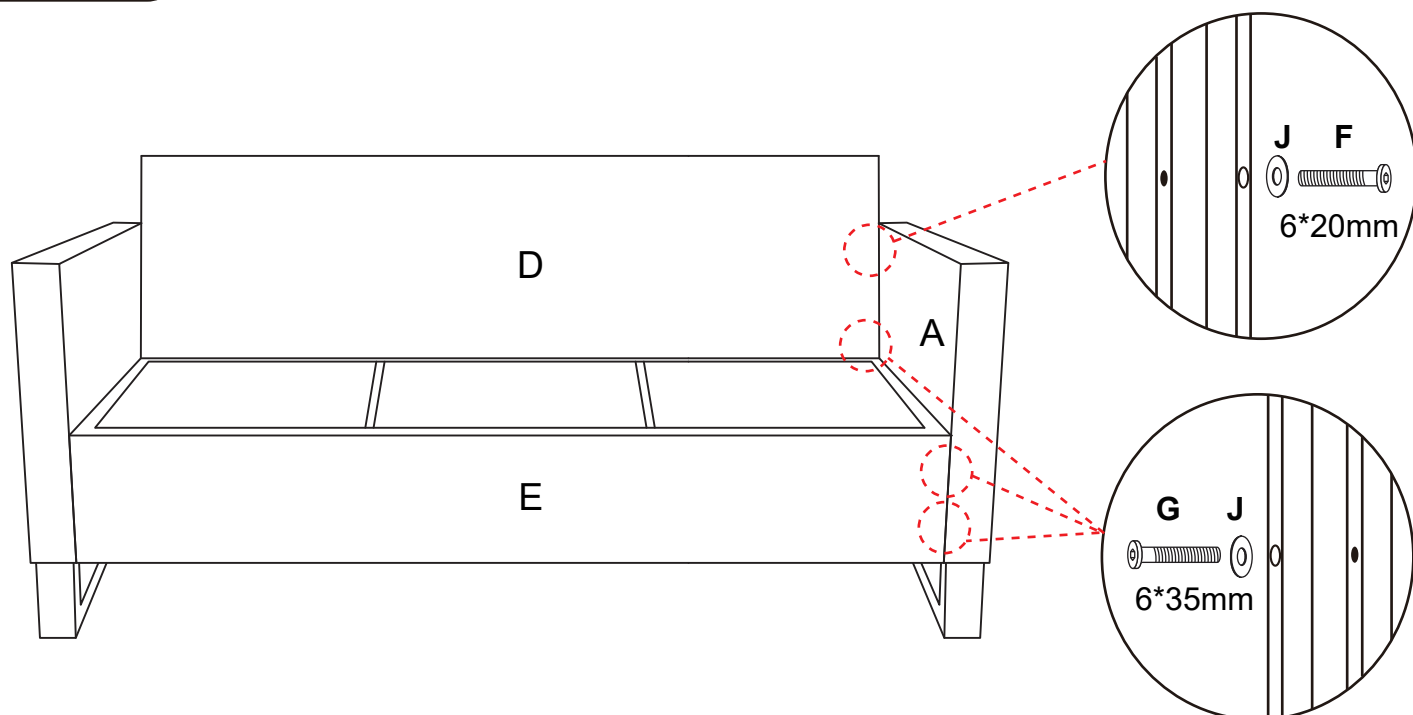
Attach left arm and feet with F and J. Don't tighten bolts!  
Attach right arm and feet in the same way.

**STEP 2**



Attach seat and back with H and J. Don't tighten bolts!

## STEP 3

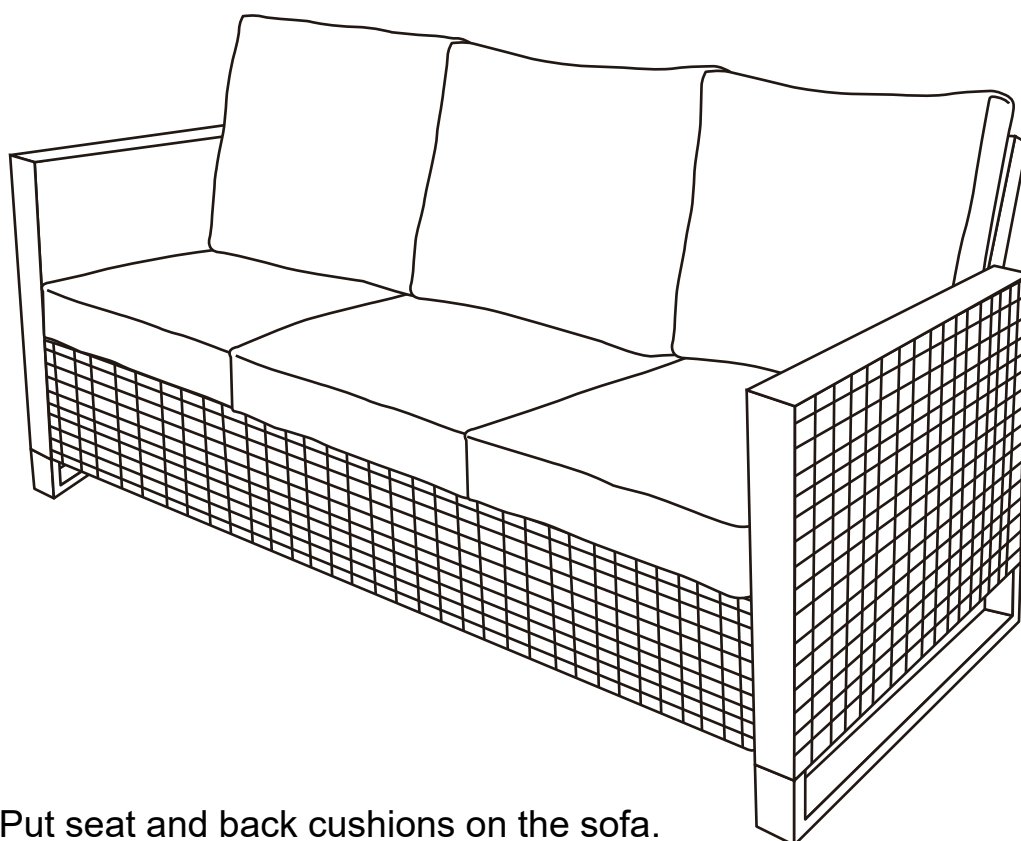


Attach left arm and seat with G and J. Don't tighten bolts!

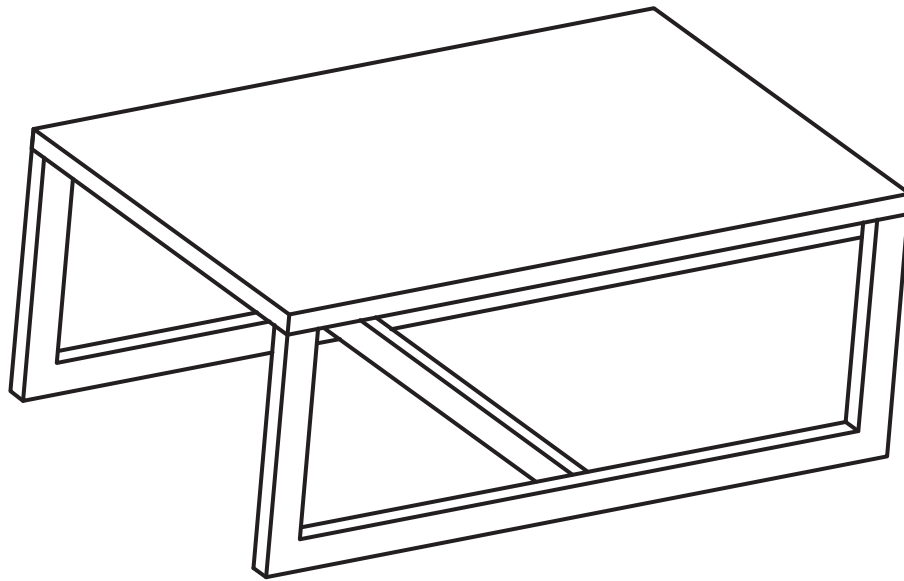
Attach left arm and back with G, F and J. Don't tighten bolts!

Attach right arm in the same way. Tighten all the bolts!

## STEP 4



Put seat and back cushions on the sofa.

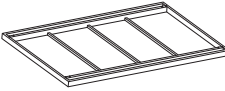
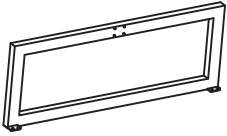
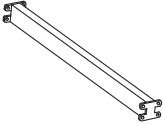





For any missing or damaging parts, hardware, or any other problems, WELCOME to email us at: [SERVICE@RILYSON.COM](mailto:SERVICE@RILYSON.COM) Or 1-888-733-8169 Toll free Monday-Friday 9AM - 5PM EST

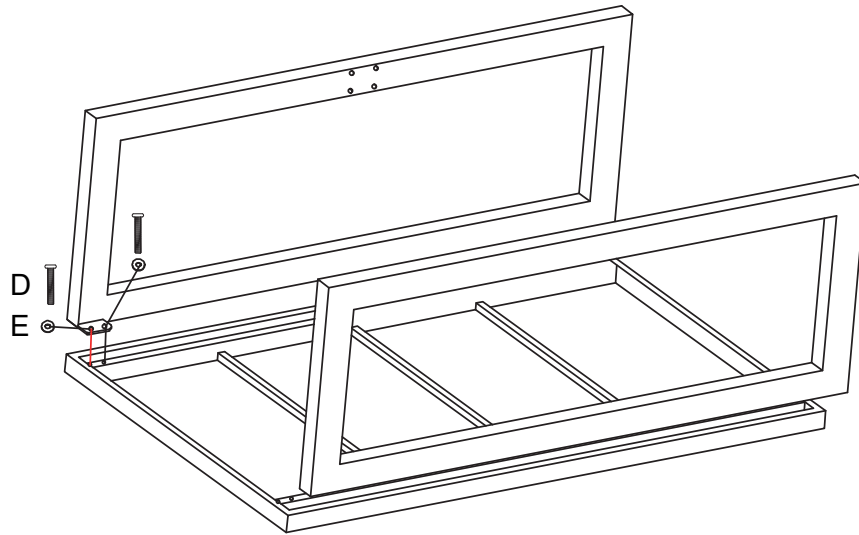
\* Don't fully tighten all the bolts till the very end!

**PRE-ASSEMBLY PREPARATION:**

- Please read through the instructions before beginning assembly.
- Clear out the space for assembly and lay out all of the parts based on the Parts List, extra room will allow you to easily determine if all the pieces are present.
- Keep small parts and pieces away from children until fully assembled.

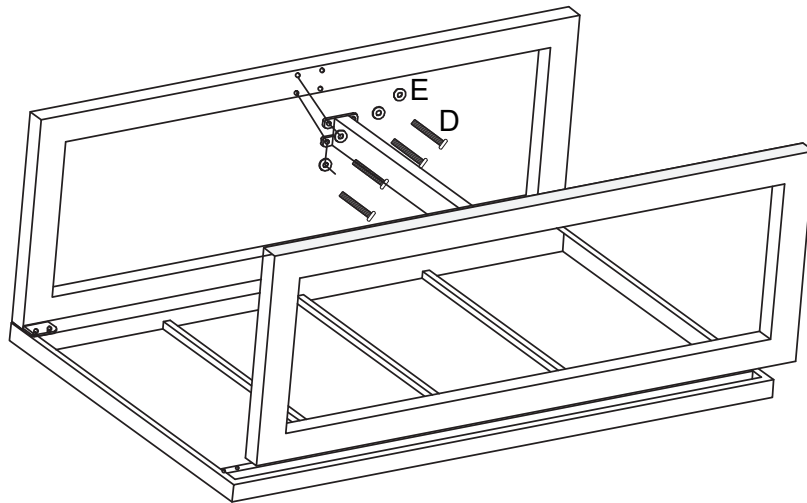
Part No.	Part	Qty	Image	Part No.	Part	Qty	Image
A	Top	1		B	Leg	2	
C	Support	1		D	Bolt	16	 M6 * 20MM
E	Washer	16		F	Hex Wrench	1	

## STEP 1



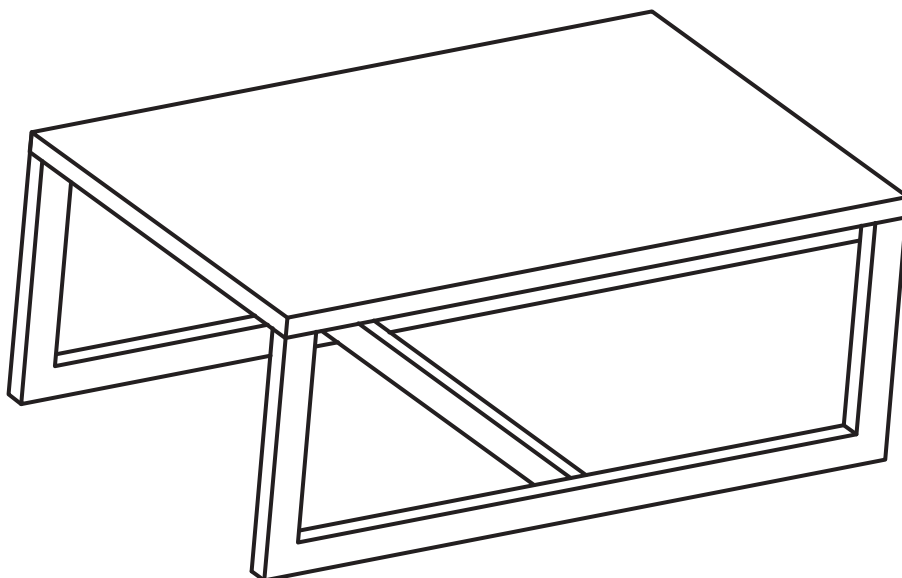
Attach top and legs with D and E. Don't tighten bolts!

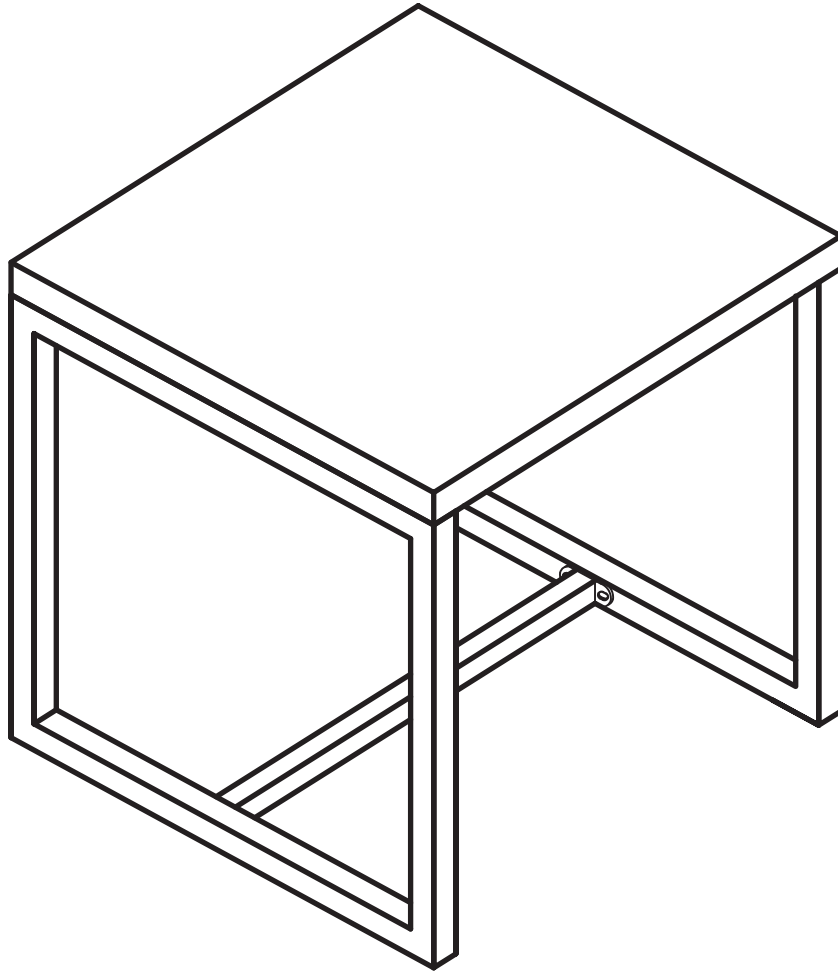
## STEP 2



Attach support and legs with D and E. Tighten all the bolts!

## STEP 3





# ASSEMBLY INSTRUCTION

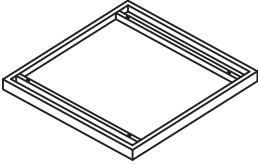
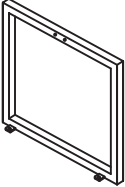
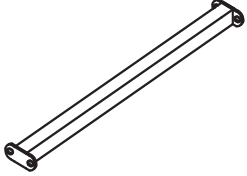

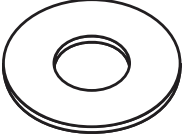

For any missing or damaging parts, hardware, or any other problems, WELCOME to email us at:

[SERVICE@RILYSON.COM](mailto:SERVICE@RILYSON.COM) Or 1-888-733-8169 Toll free  
Monday-Friday 9AM - 5PM EST

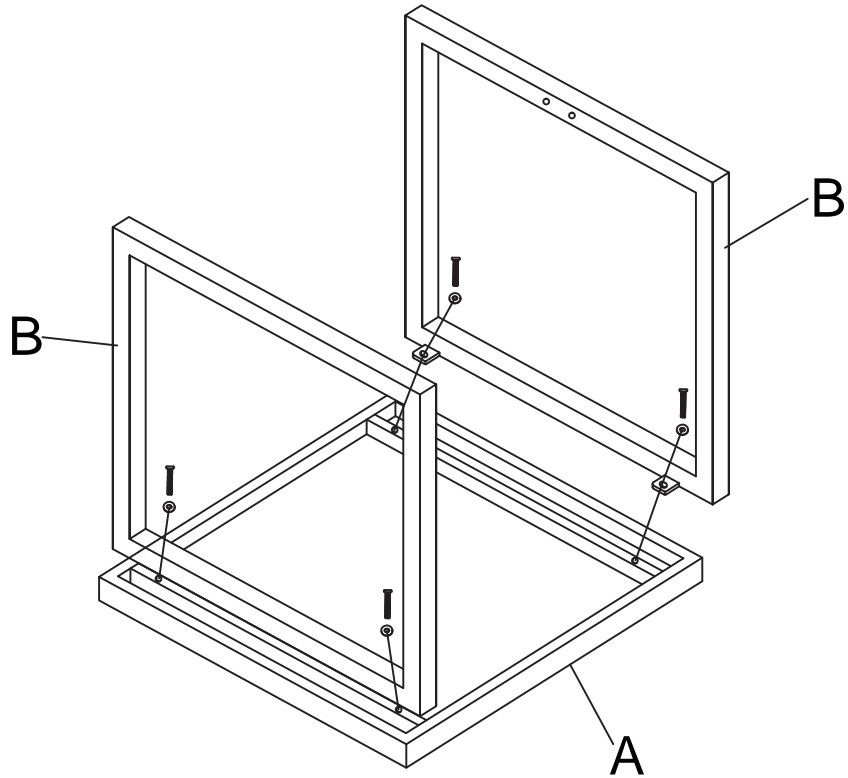
\* Don't fully tighten all the bolts till the very end!

#### PRE-ASSEMBLY PREPARATION:

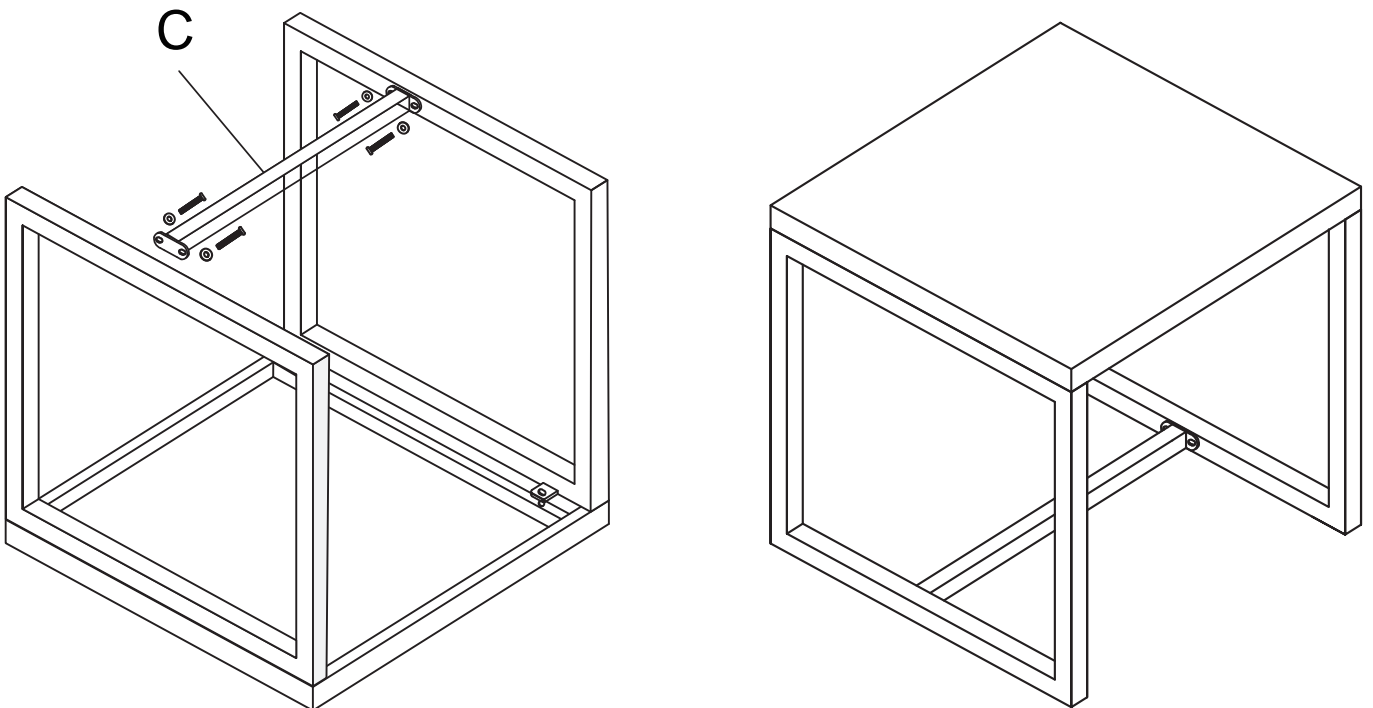
- Please read through the instructions before beginning assembly.
- Clear out the space for assembly and lay out all of the parts based on the Parts List, extra room will allow you to easily determine if all the pieces are present.
- Keep small parts and pieces away from children until fully assembled.

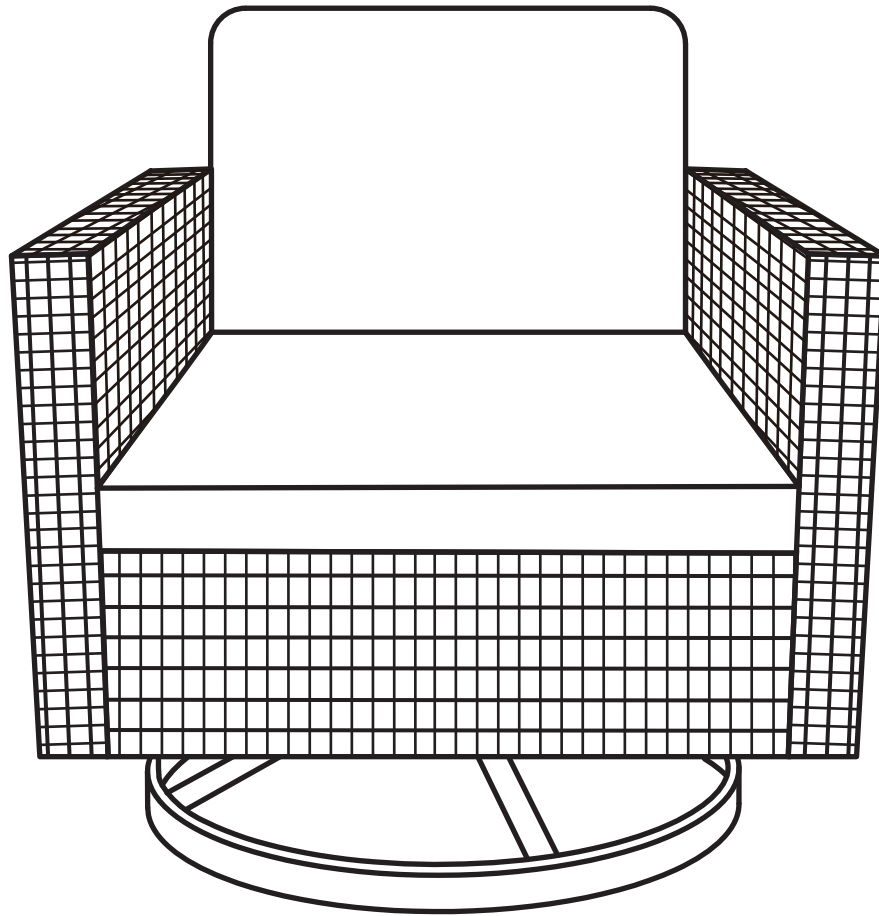
Part No.	Image	Qty	Part No.	Image	Qty	Part No.	Image	Qty
A		1	B		2	C		1
D	 M6 * 20 MM	8	E		8	F		1

## STEP 1



## STEP 2





# ASSEMBLY INSTRUCTION

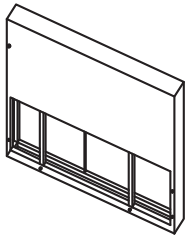
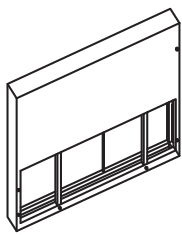
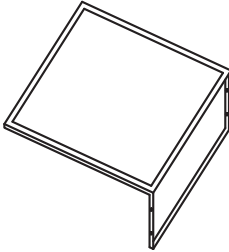

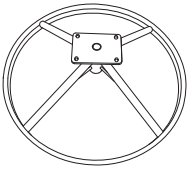
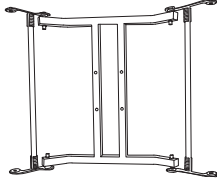



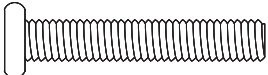
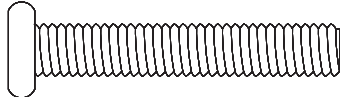
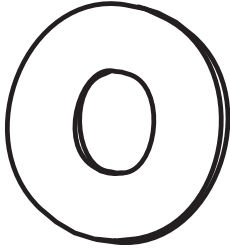
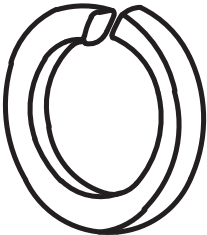



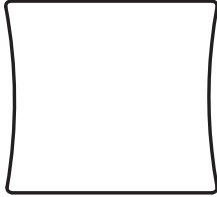
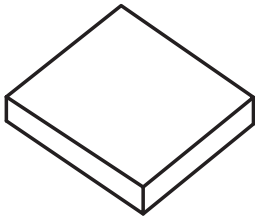
For any missing or damaging parts, hardware, or any other problems, WELCOME to email us at:

[SERVICE@RILYSON.COM](mailto:SERVICE@RILYSON.COM) Or 1-888-733-8169 Toll free  
Monday-Friday 9AM - 5PM EST

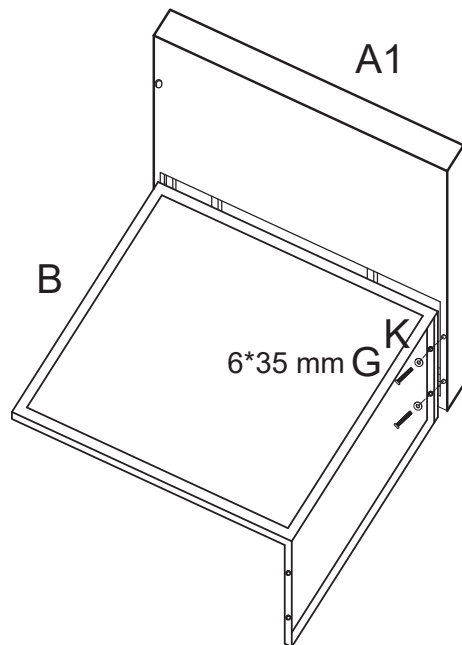
\* Don't fully tighten all the bolts till the very end!

#### PRE-ASSEMBLY PREPARATION:

- Please read through the instructions before beginning assembly.
- Clear out the space for assembly and lay out all of the parts based on the Parts List, extra room will allow you to easily determine if all the pieces are present.
- Keep small parts and pieces away from children until fully assembled.

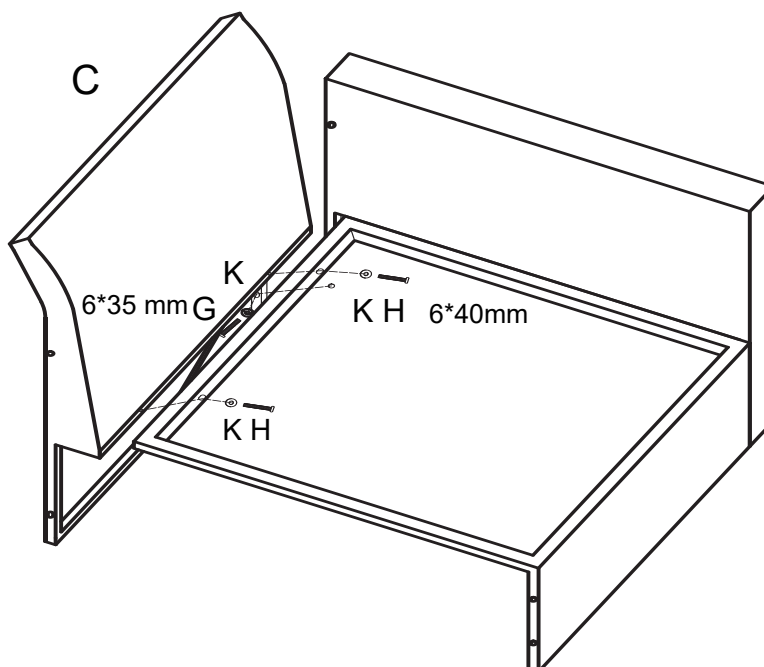
									
A1 Left Arm	1PCS	A2 Right Arm	1PCS	B Seat	1PCS	C Back	1PCS		
				M6*24mm 		M6*35mm 		M6*40mm 	
D Base	1PCS	E U-Shaped Fitting	1PCS	F	4PCS	G	6PCS	H	2PCS
M6*45mm 		M6*95mm 							
I	4PCS	J	2PCS	K Washer	18PCS	L Spring Washer	4PCS		
									
M Nut	4PCS	N Wrench	1PCS	O Spanner	1PCS	P Back Cushion	1PCS	Q Seat Cushion	1PCS

## STEP 1



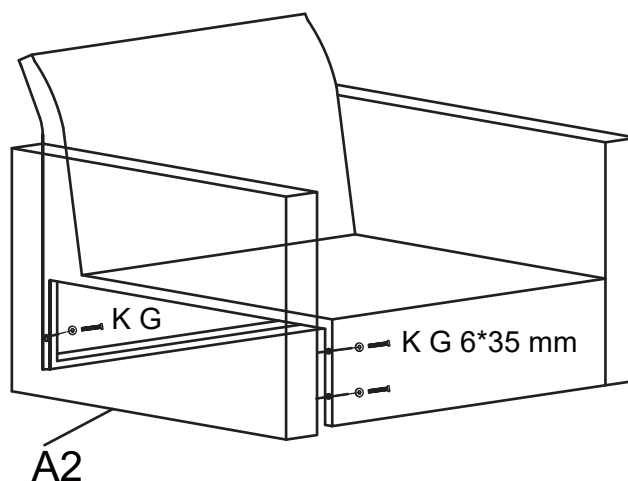
Connect left arm A1 and seat B with G and K. Don't tighten bolts!

## STEP 2



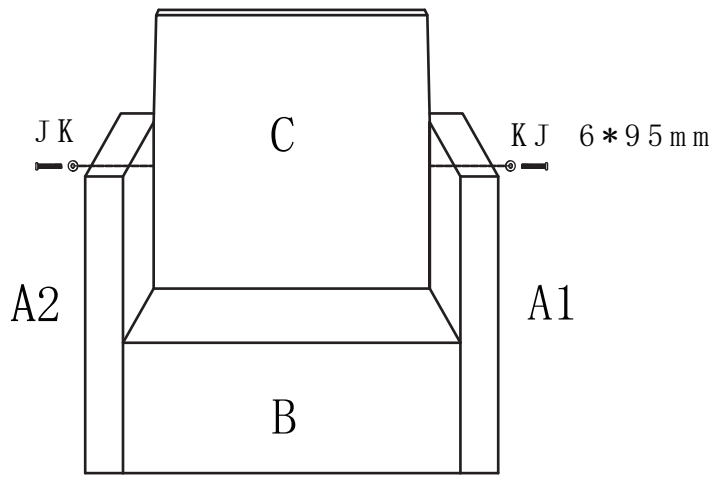
Connect chair back, seat and left arm with G, H and K. Don't tighten bolts!

## STEP 3



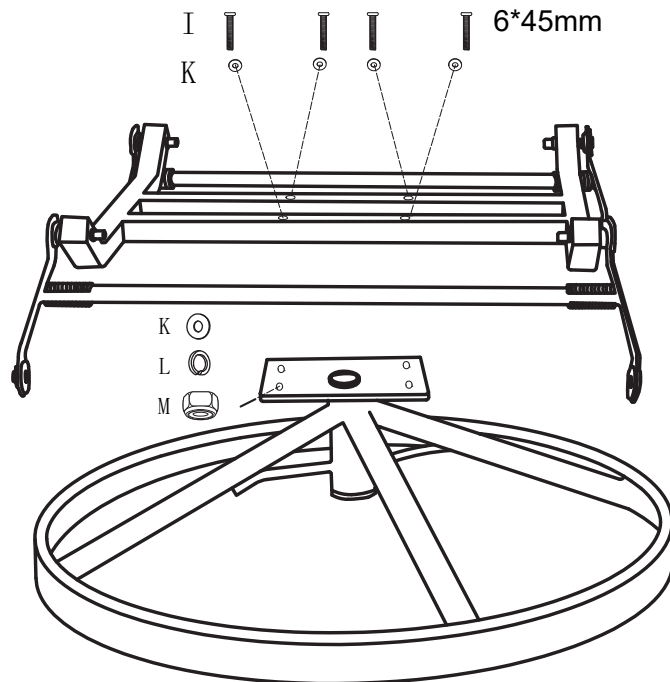
Connect chair back, seat and right arm with G and K. Don't tighten bolts!

## STEP 4



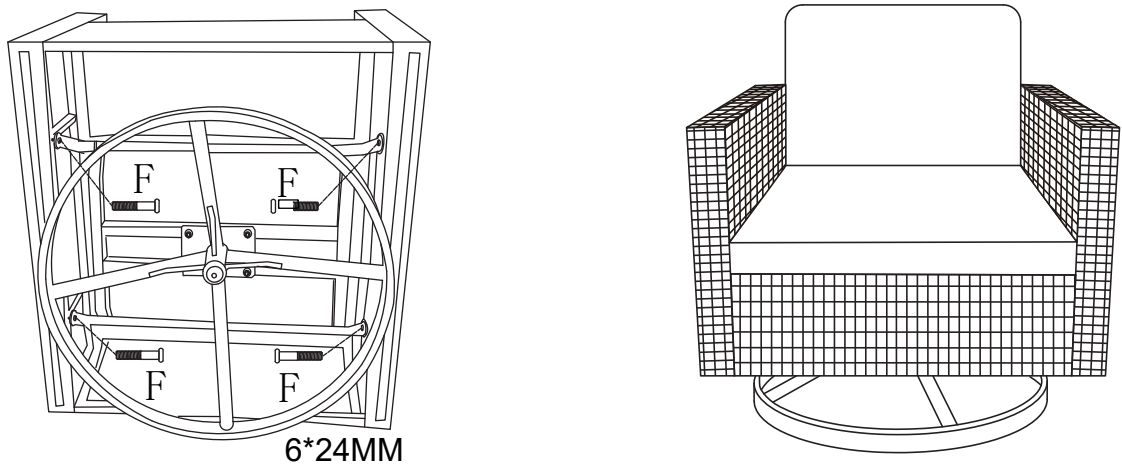
Connect left ,right arms and back with J and K. Don't tighten bolts!

## STEP 5



Connect U shaped fitting and base with I, K,L and M. Please tighten these bolts!

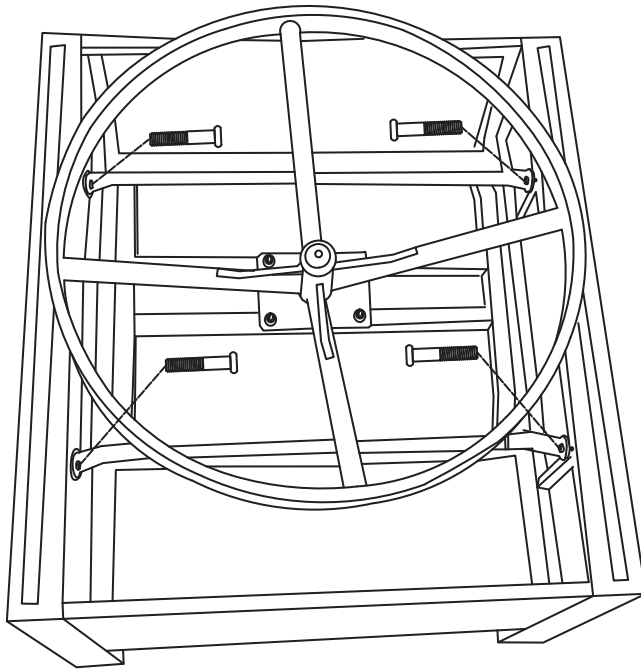
## STEP 6



Connect U shaped fitting, left and right arms with F. Tighten all the bolts!

Put seat and back cushions on the chair.

# NOTICE

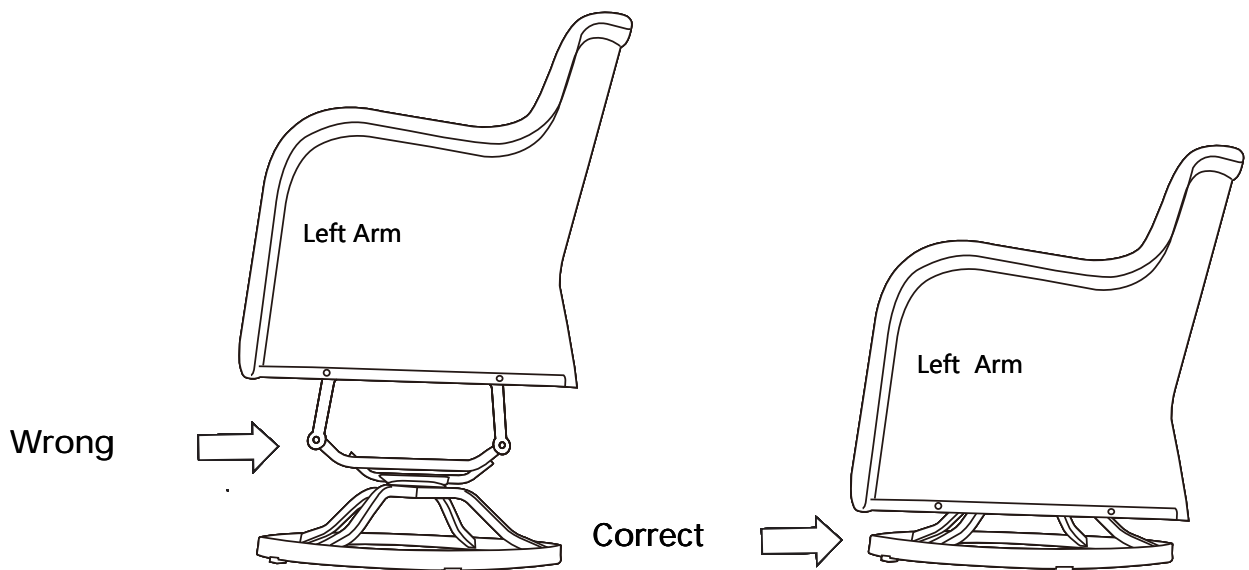


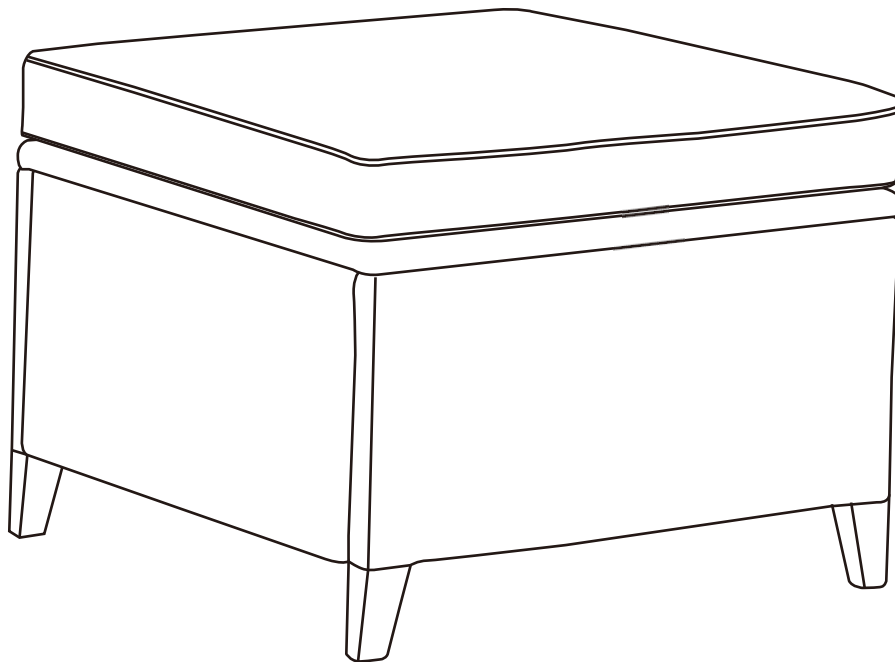
1. Buckle the chair upside down on the floor.

2. Put the base in the chair.

3. Connect the base, left and right arms with Bolts.

4. Finally tighten all the bolts!



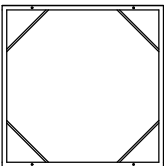
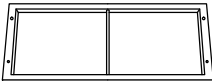
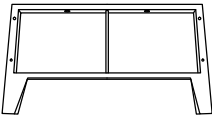


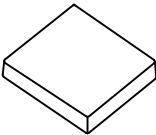


For any missing or damaging parts, hardware, or any other problems, WELCOME to email us at: [SERVICE@RILYSON.COM](mailto:SERVICE@RILYSON.COM) Or 1-888-733-8169 Toll free Monday-Friday 9AM - 5PM EST

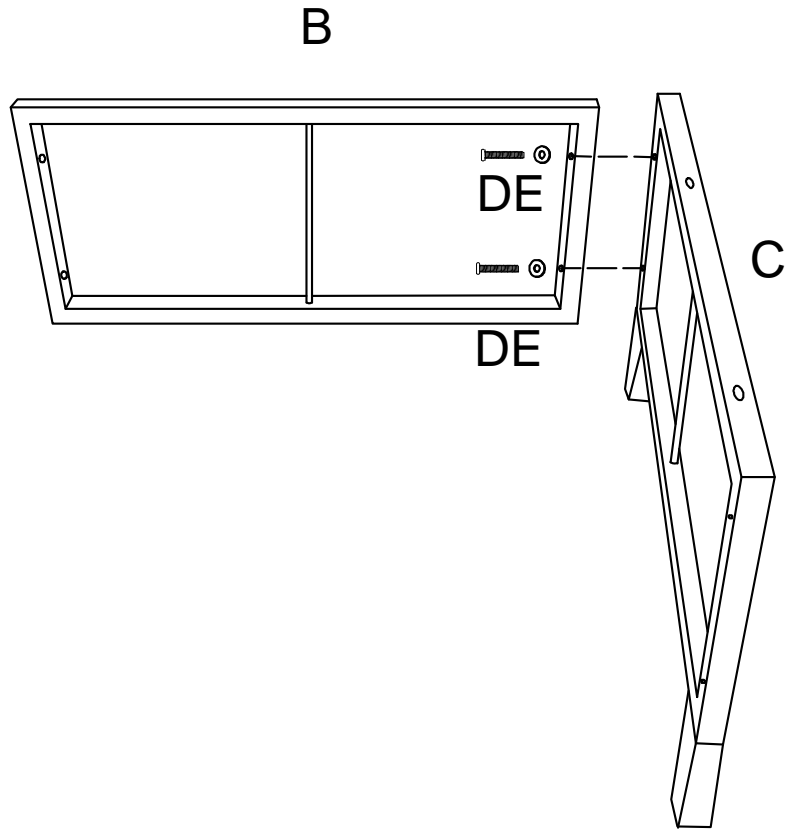
\* Don't fully tighten all the bolts till the very end!

**PRE-ASSEMBLY PREPARATION:**

- Please read through the instructions before beginning assembly.
- Clear out the space for assembly and lay out all of the parts based on the Parts List, extra room will allow you to easily determine if all the pieces are present.
- Keep small parts and pieces away from children until fully assembled.

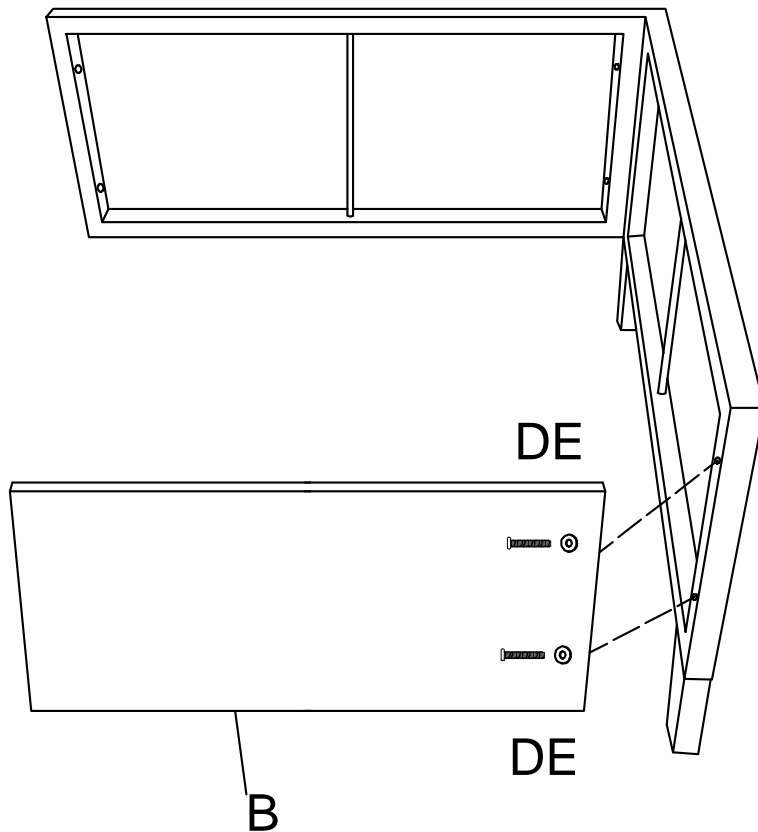
Part No.	Part	Qty	Image	Part No.	Part	Qty	Image
A	Top Panel	1		B	Side Panel	2	
C	Feet	2		D	Bolt	12	 M6*30mm
E	Washer	12		F	Seat Cushion	1	

**STEP 1**

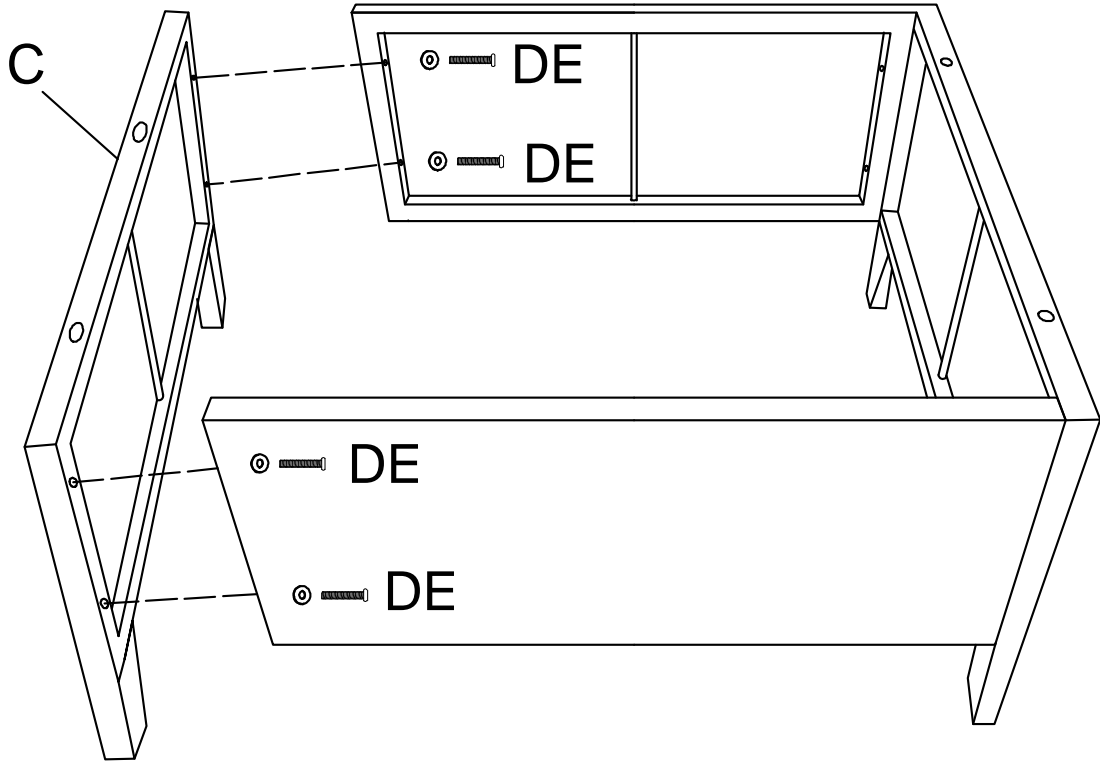


Attach side panel and feet with D,E. Don't tighten bolts!

**STEP 2**

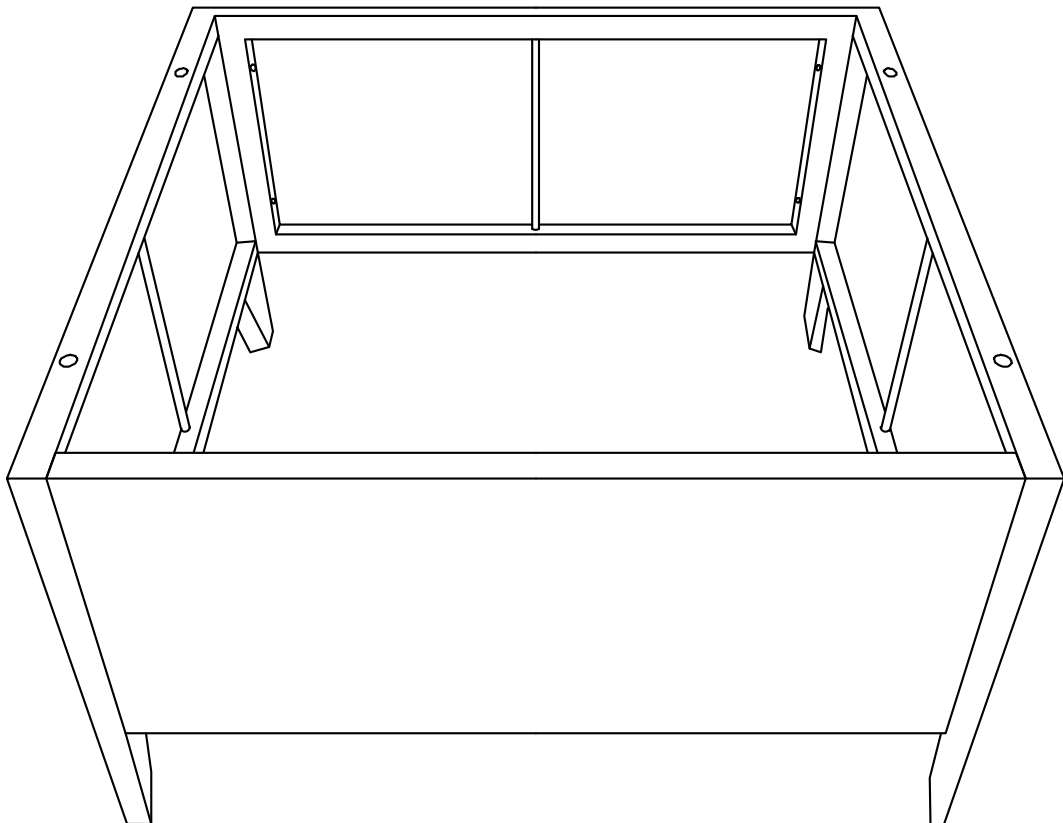


**STEP 3**

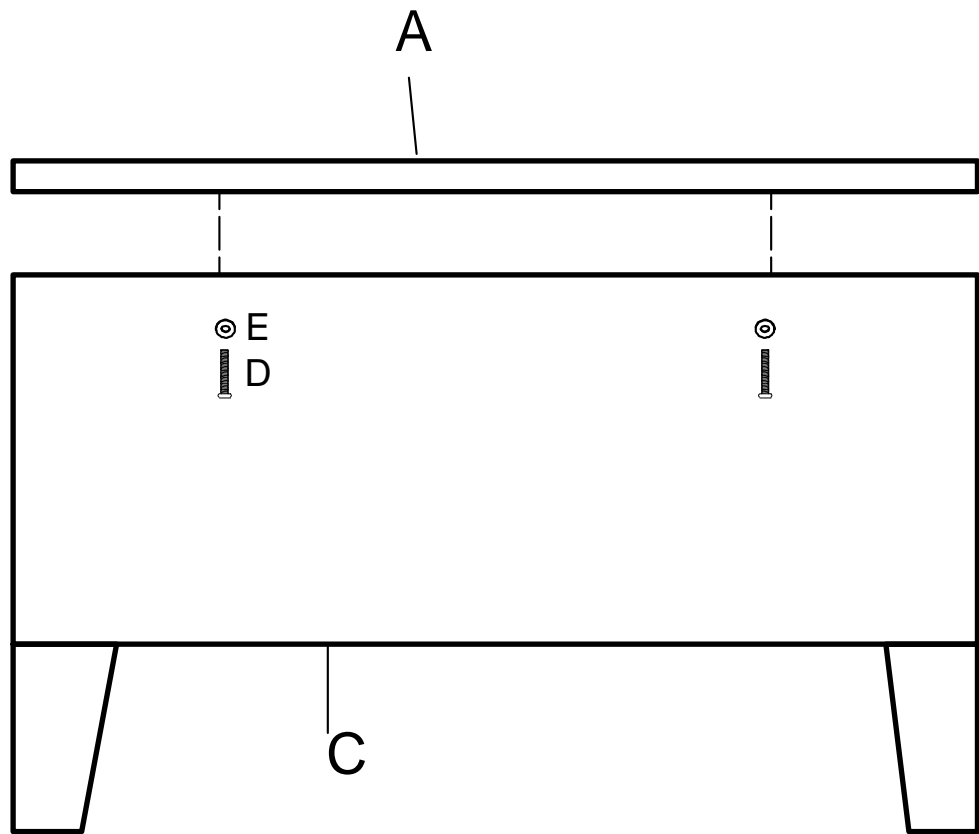


Attach side panel and feet with D,E. Don't tighten bolts!

**STEP 4**

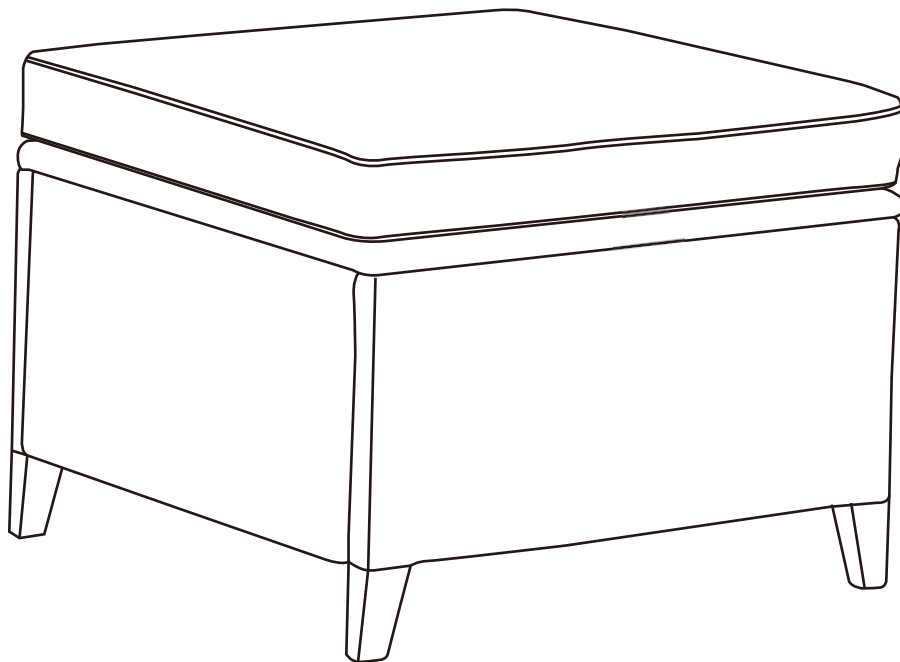


**STEP 5**



Attach top panel and ottoman frame with D,E. Tighten all the bolts!

**STEP 6**



Put seat cushion on the ottoman.