

# Technical Specifications

**Input:** AC120V 60Hz

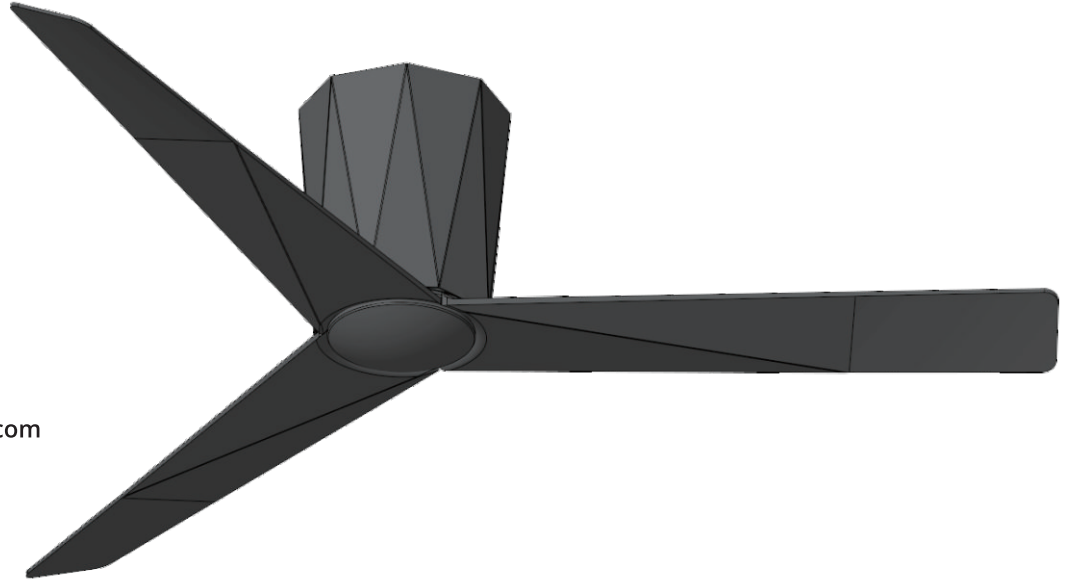
**Power:** 50W (Fan:35W , Light:15W)

**Size:** Ø52inch \* H10inch

**Remote Battery Required:**

2 pcs AAA battery( not included)

**Service Mailbox:** [info@roomratv.com](mailto:info@roomratv.com)



**WARNING**



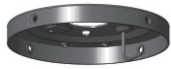
✓ ON/OFF switch



✗ Dimmable switch

Disconnect power prior to installation, inspection, or removal  
Do not touch when light is on or when it is hot  
If there is any problem with the fixture, turn power off and do not attempt to repair unless you are a qualified technician  
Do not expose to water or rain

# Packing List



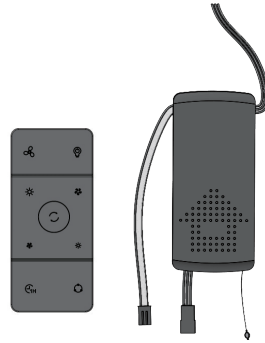
Hanger Bracket



Lamp



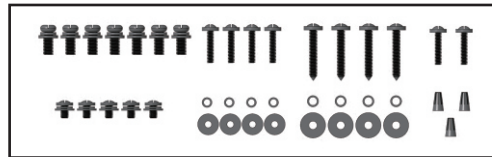
Fan Motor Assembly



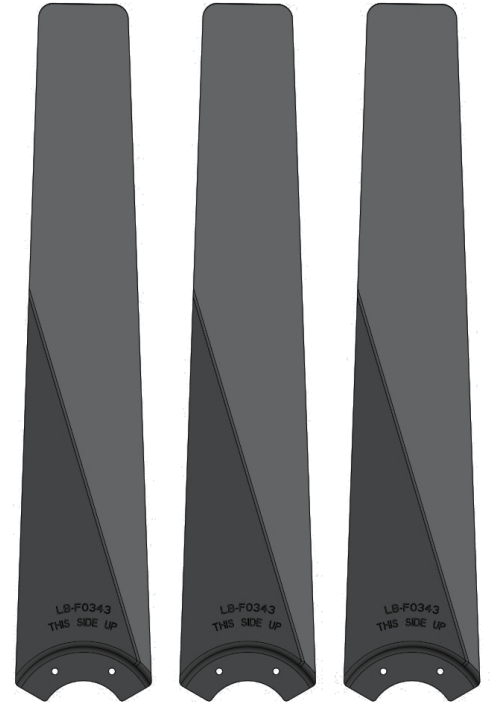
Remote Control



Motor Housing



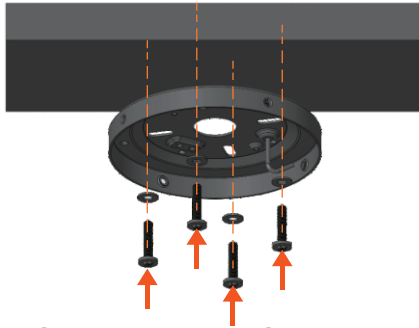
Screw Pack



Fan Blade

# Installation Guide

1



## Mount the Hanger Bracket:

Fasten the hanger bracket to the ceiling.

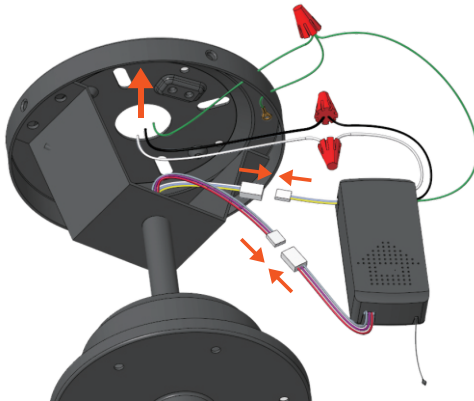
2



## Install the Fan Motor Assembly:

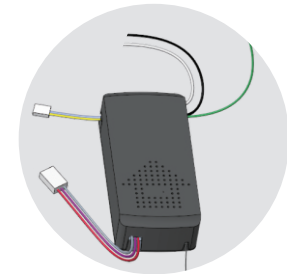
Fasten the fan motor assembly to the hanger bracket.

3

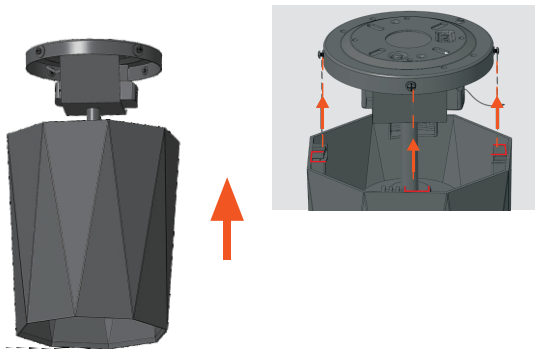


## Connecting the Controller:

- ① Match and connect controller wires to motor wires by color.
- ② Connect black to L (live) and white to N (neutral) from the ceiling by color.
- ③ Connect all green ground wires (one from the hanger and one from the controller) to the ceiling's ground wire.



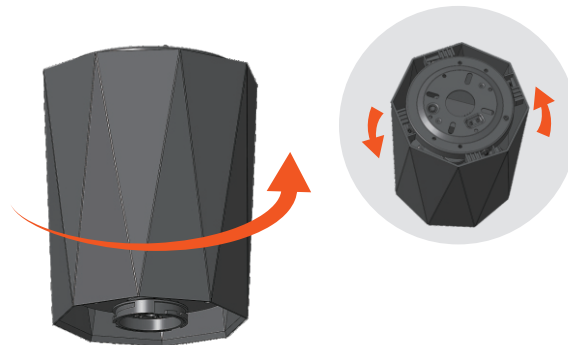
4



### Attach the Motor Housing:

Position the motor cover onto the hanger bracket.

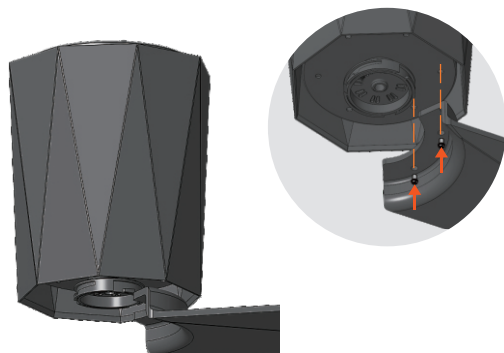
5



### Attach the Motor Housing:

Rotate the motor cover clockwise until it locks into place

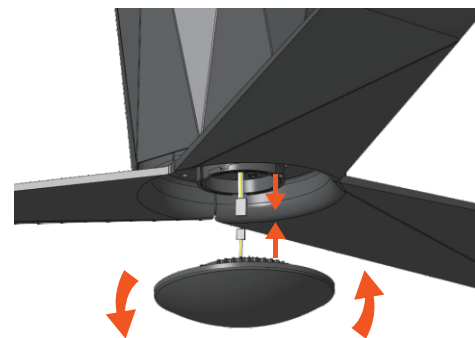
6



### Attach the Fan Blades:

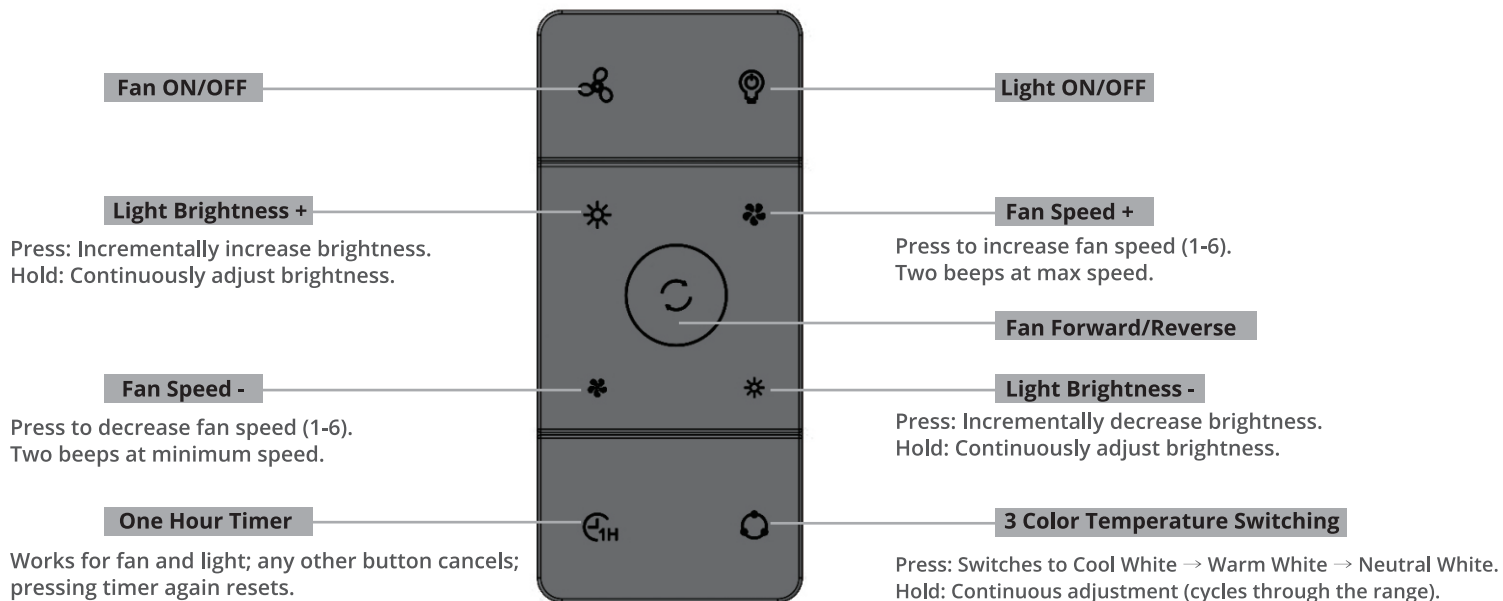
Fasten the fan blades to the screw holes on the bottom of the motor.

7



### Install the Lamp:

- ① Connect the lamp wires to the motor wires by color.
- ② Rotate the lamp clockwise until it locks onto the motor base.



## Memory Function :

All light settings have a memory function. The brightness and color temperature will be remembered if the light remains on for 10 seconds. When turning the fan on via the remote control or wall switch, without cutting power, the previous speed and direction settings will be retained.

## Remote Pairing Instructions :

Within 5 seconds of powering on, press and hold the light on/off “☹” button for 3 seconds to pair the remote. The light will flash twice to indicate successful pairing. If pairing fails, wait 30 seconds before trying again.