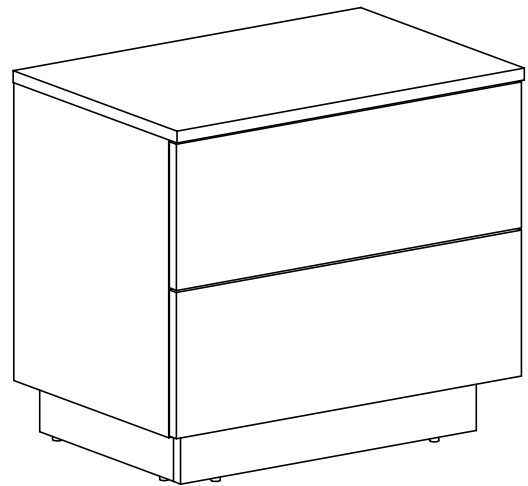
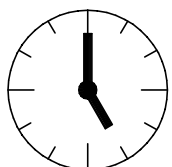
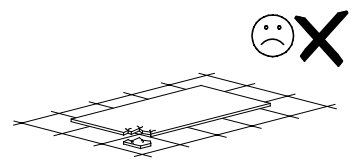
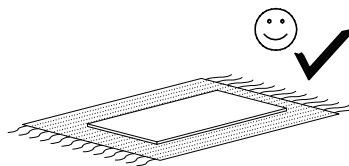
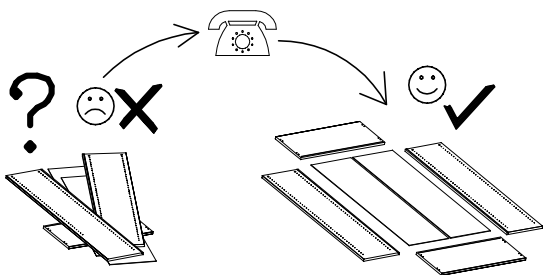
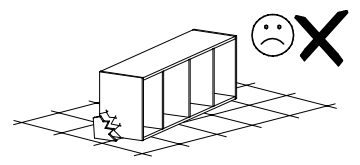
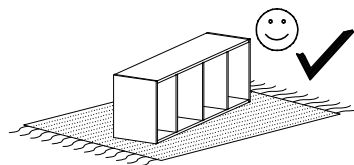
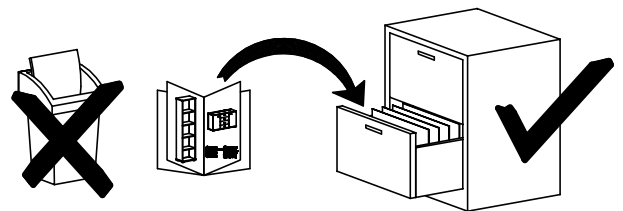
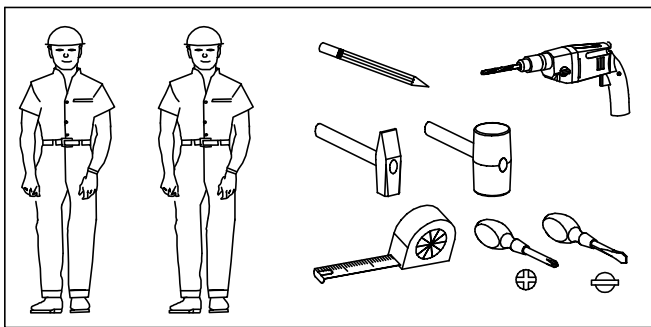


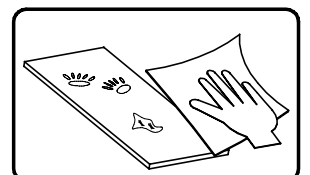
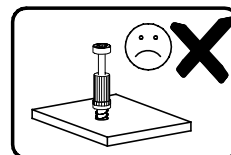
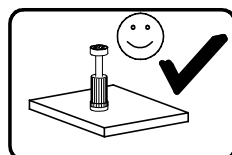
# LINDA SN III

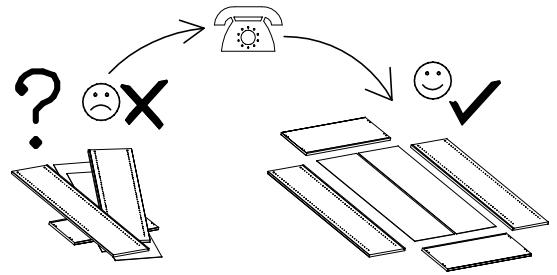
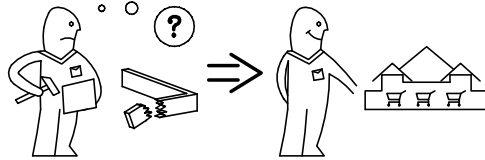
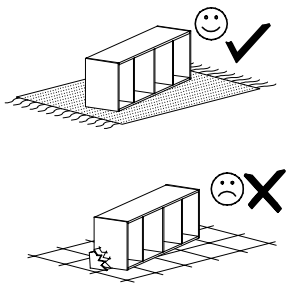


PUSH

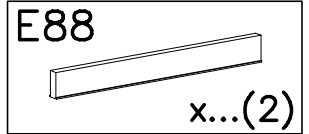


1,5h

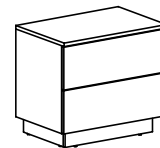




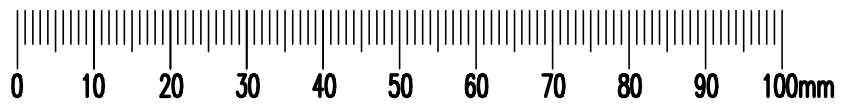
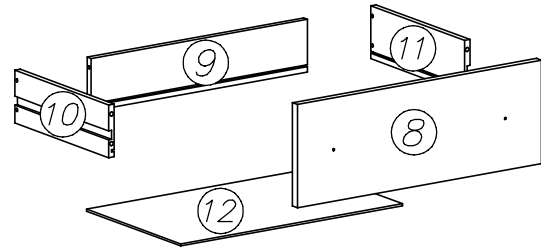
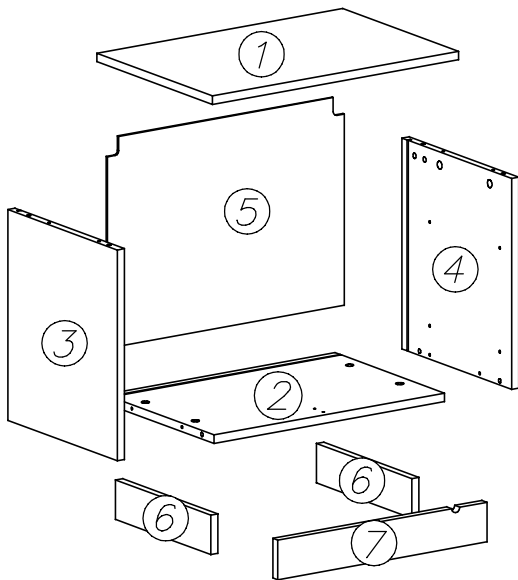
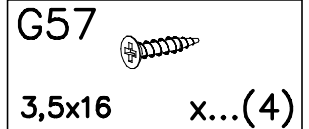
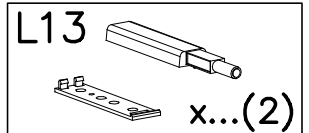
## OPCJA A



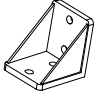

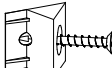

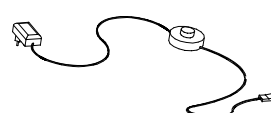


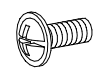
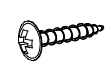
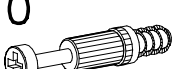

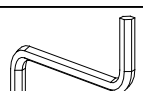



## OPCJA B

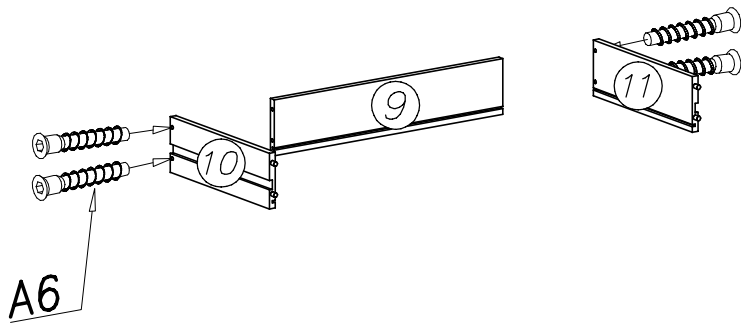


PUSH

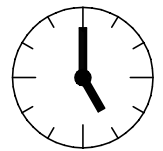
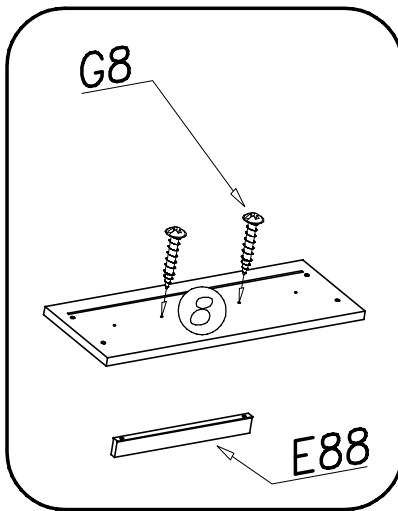
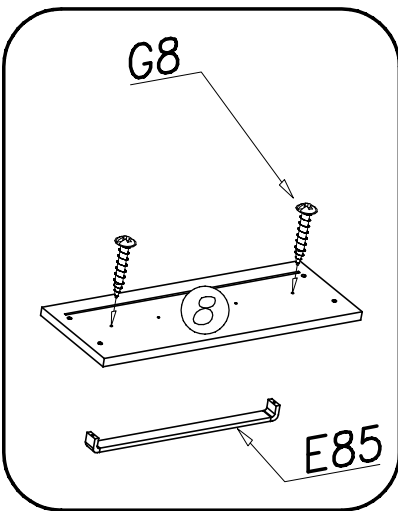
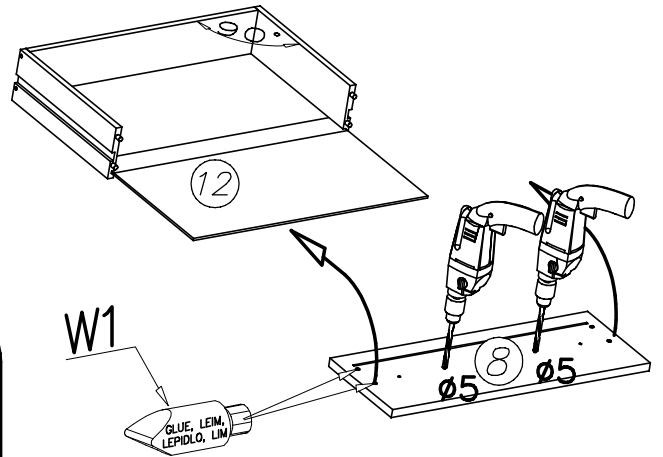
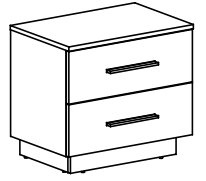


<b>A6</b>  ø7x40 x...(8)	<b>G50</b>  6x13 x...(8)	<b>F15</b>  x...(8)		
<b>H3</b>  280mm x...(4)	<b>I1</b>  x...(6)	<b>W1</b>  x...(1)	<b>W10</b>  300mm x...(1)	
<b>K1</b>  ø15x12 x...(8)	<b>G8</b>  4x30 x...(4)	<b>N1</b>  M4x9 x...(4)	<b>G56</b>  4x16 x...(32)	
<b>K10</b>  x...(8)	<b>B1</b>  ø8x35 x...(8)	<b>W2</b>  x...(1)	<b>P4</b>  x...(6)	

## I

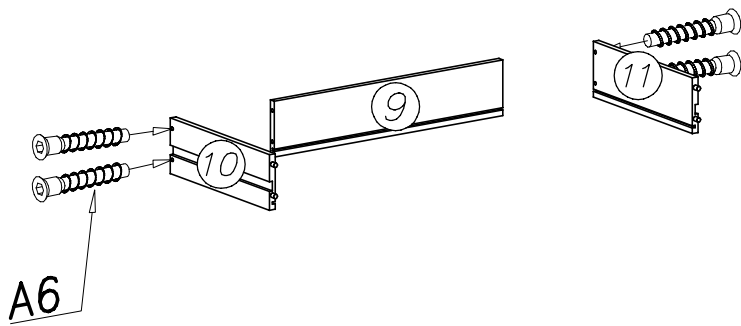


### OPCJA A

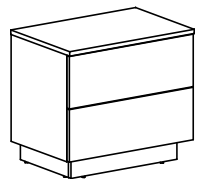


0,5h

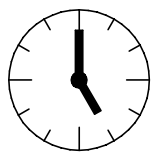
## II



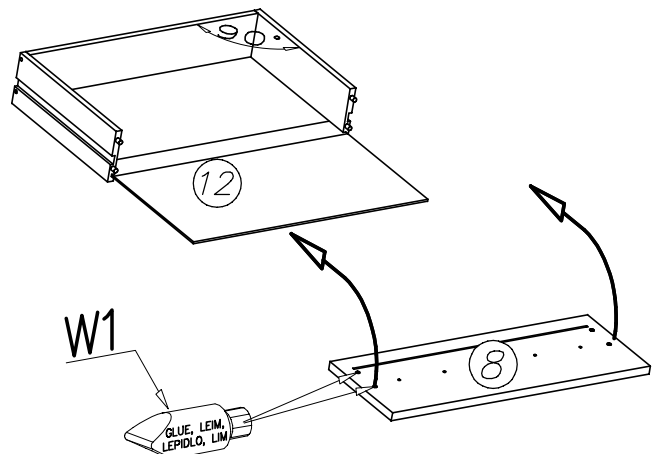
### OPCJA B



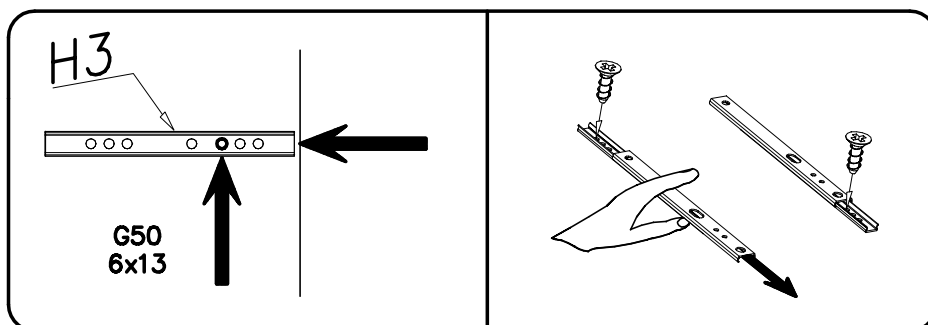
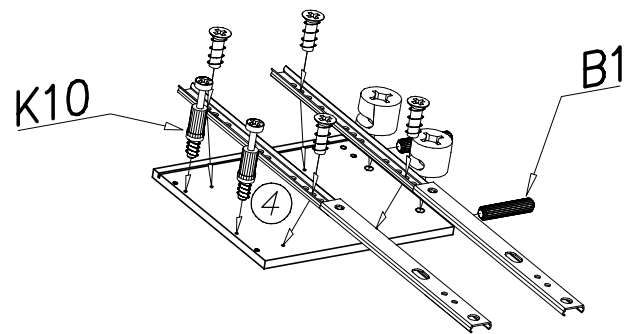
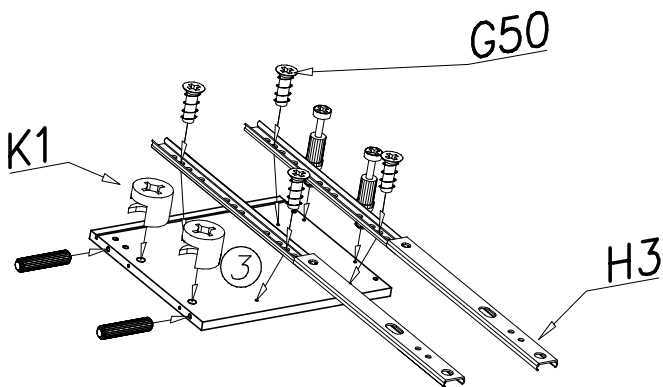
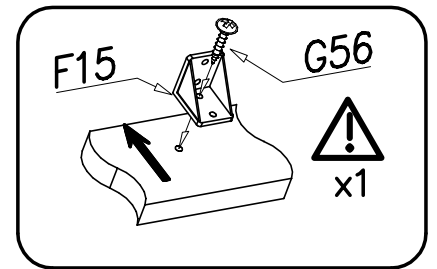
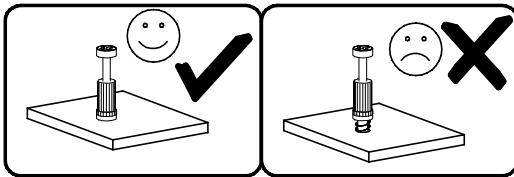
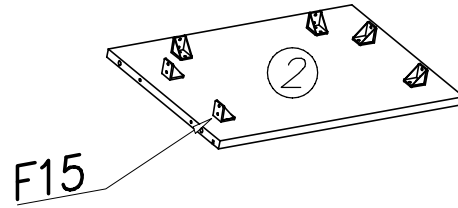
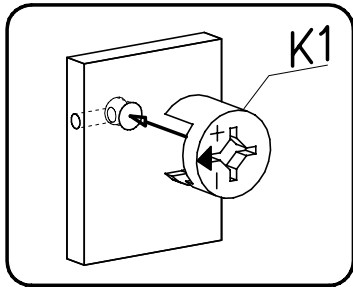
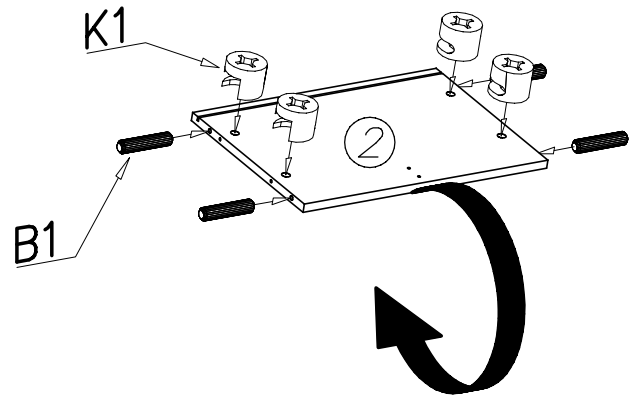
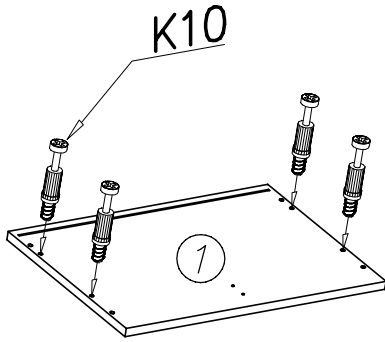
PUSH



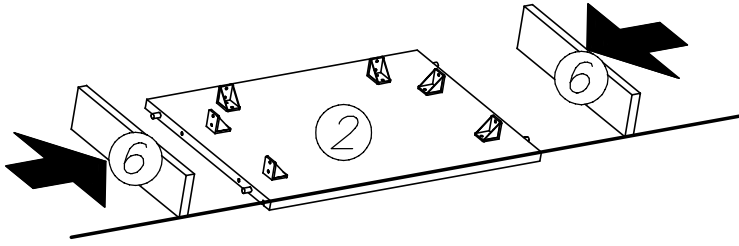
0,5h



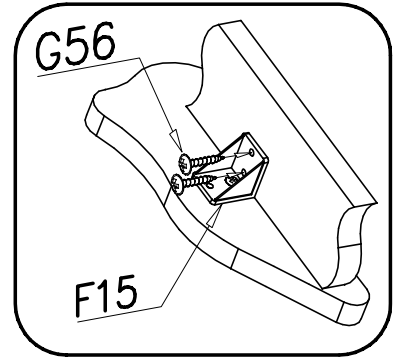
III



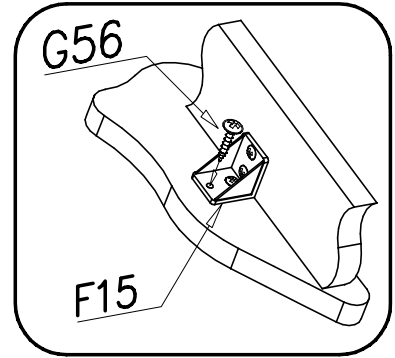
IV



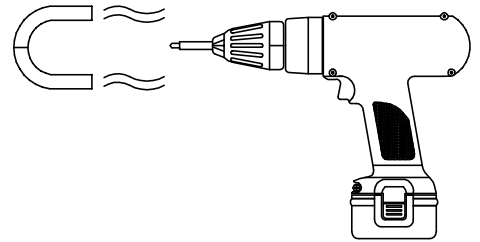
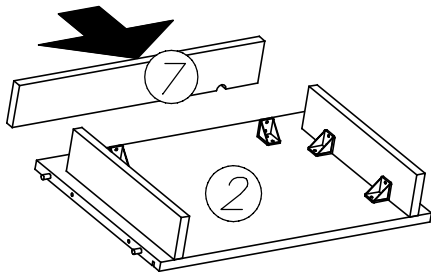
1.



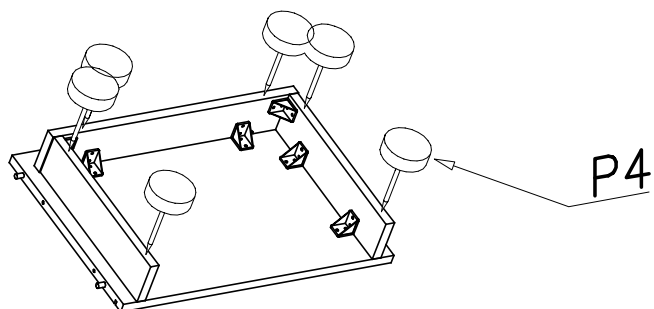
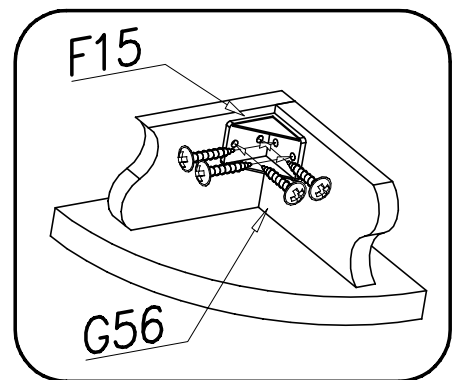
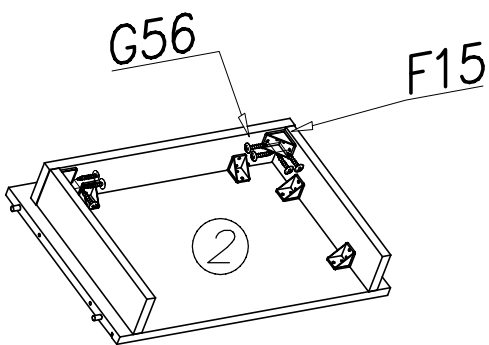
2.



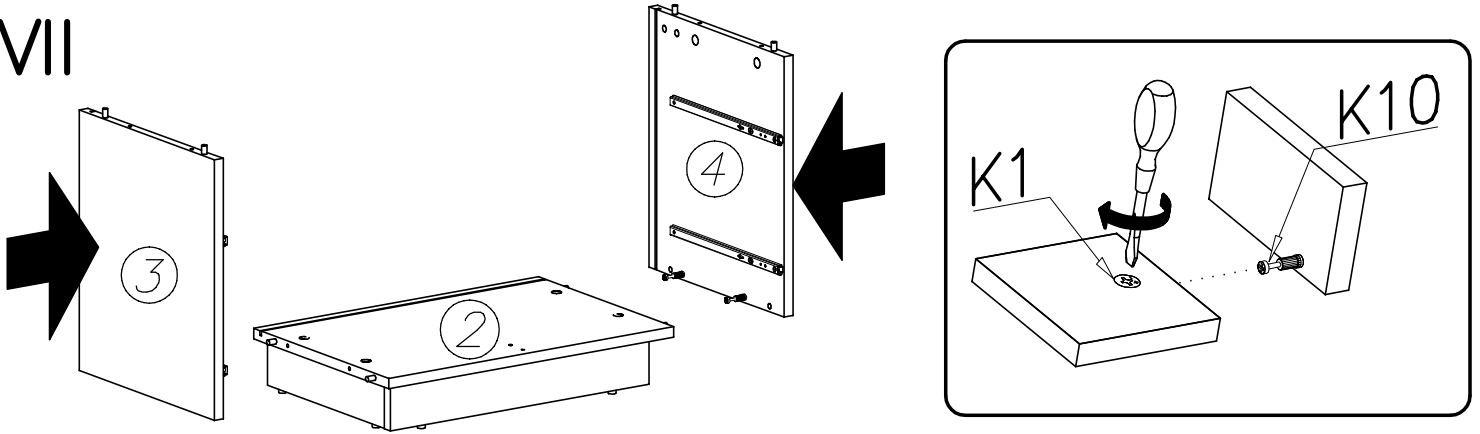
V



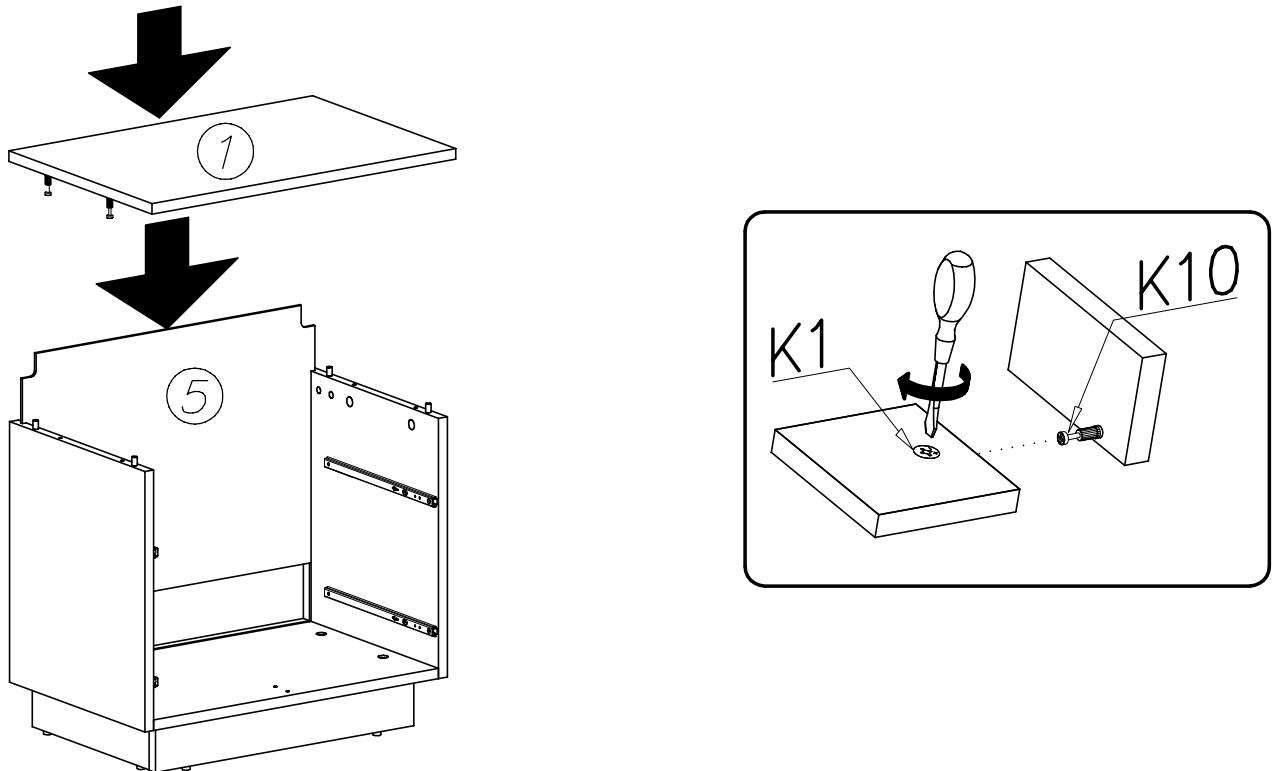
VI



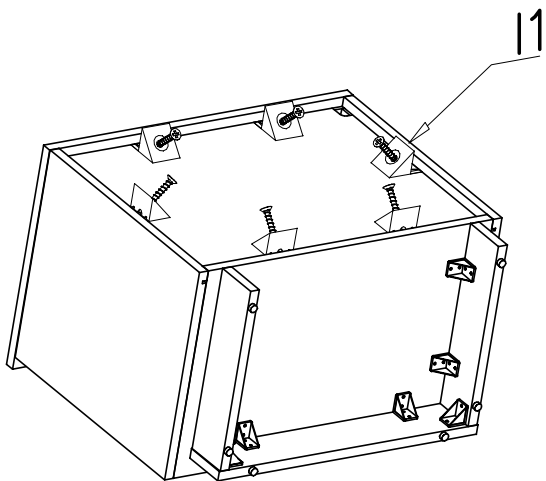
VII



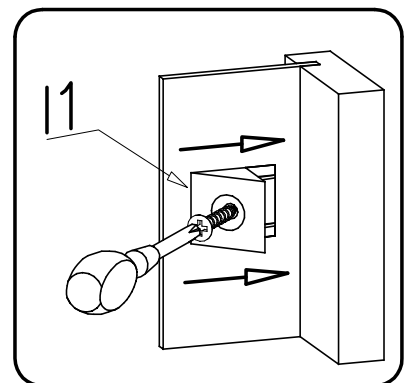
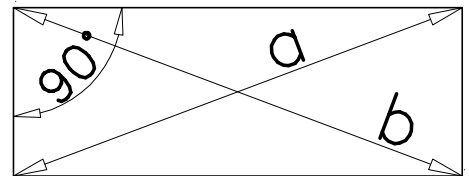
VIII



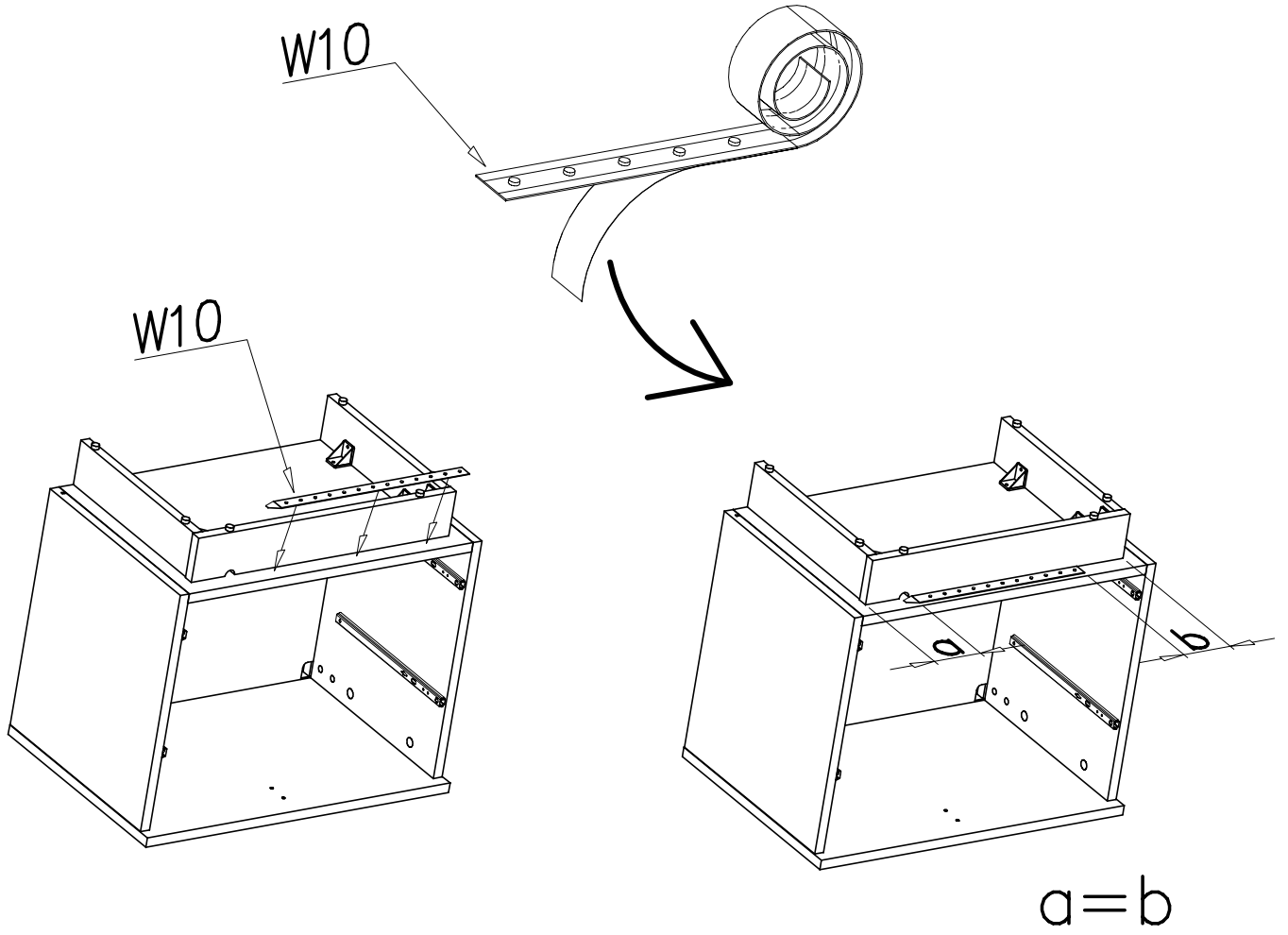
IX



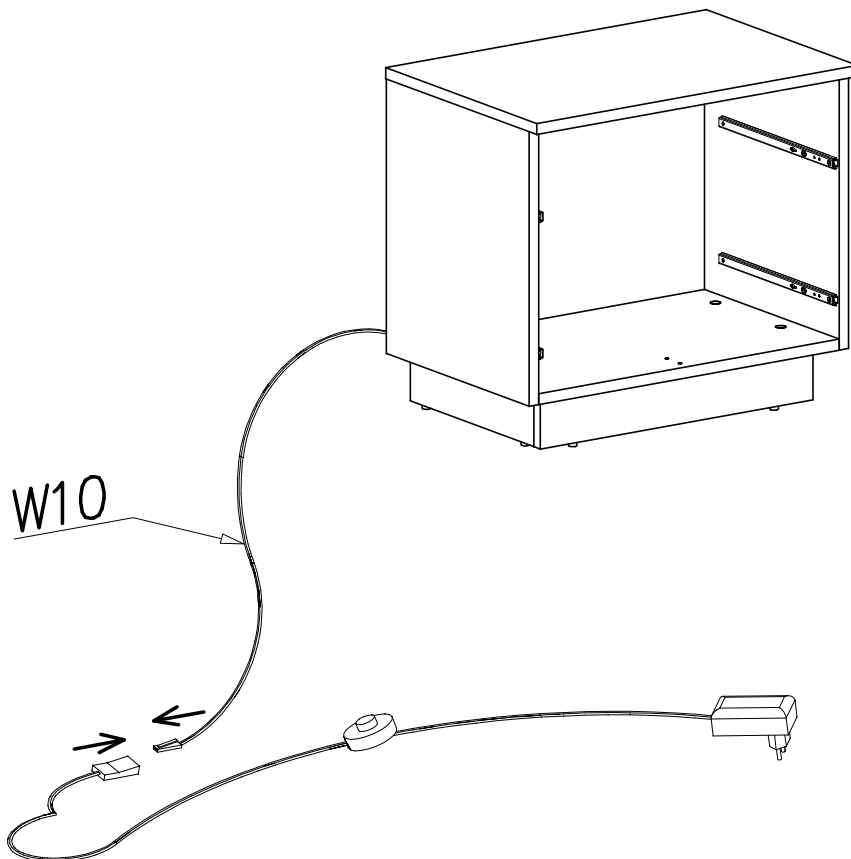
$$a = b$$



X

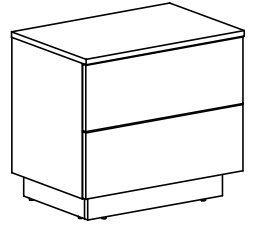


XI

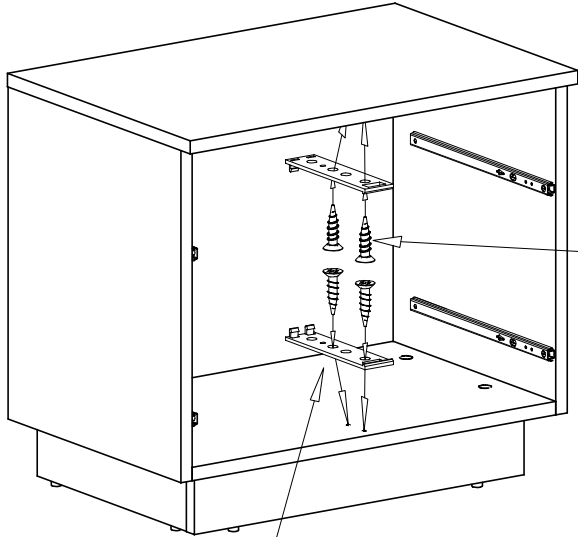


XII

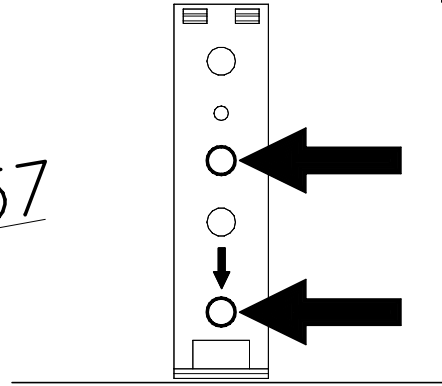
OPCJA B



PUSH

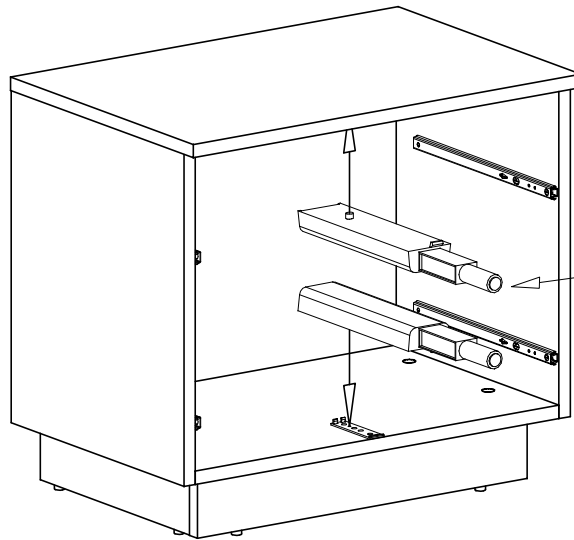


G57

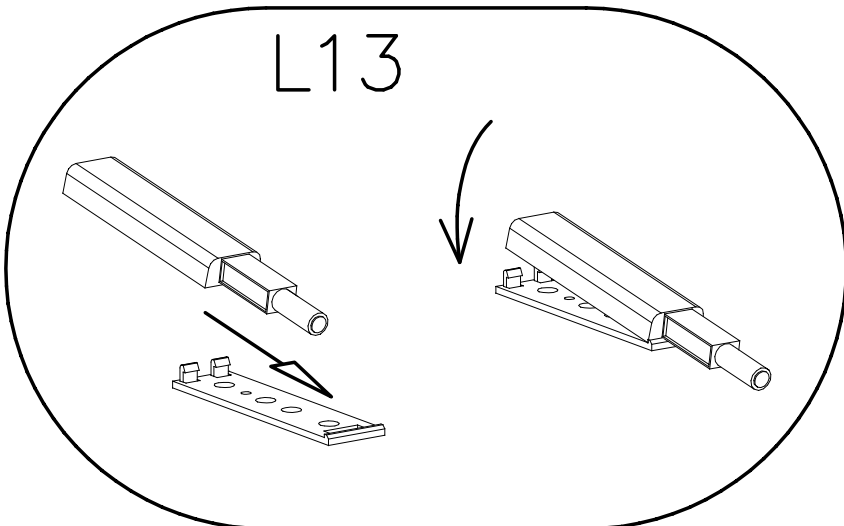


front

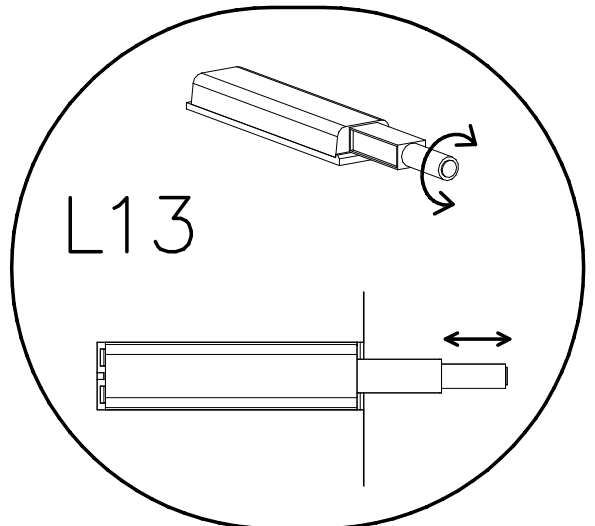
L13



L13



L13



L13

XIII

