




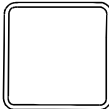
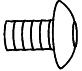
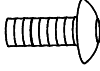
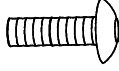
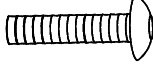

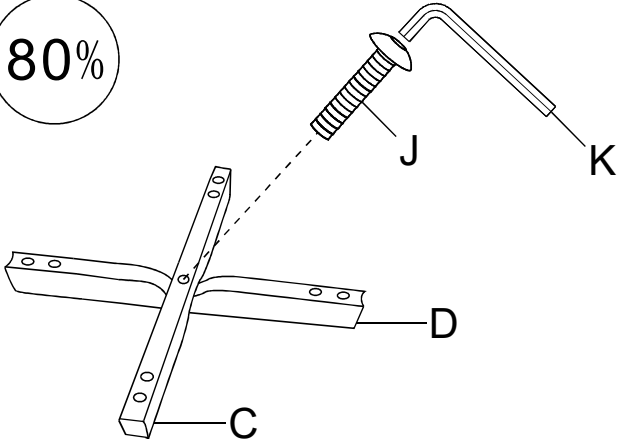


# INSTALLATION & ASSEMBLY

Ax1 	Bx1 	Cx1 	Dx1 	Ex4 	Fx1 	Gx12 M6x12mm 	Hx4 M6x18mm 	Ix4 M6x25mm 	Jx1 M6x30mm 	Kx1 M6 
--	--	--	--	--	--	--	---	---	---	--

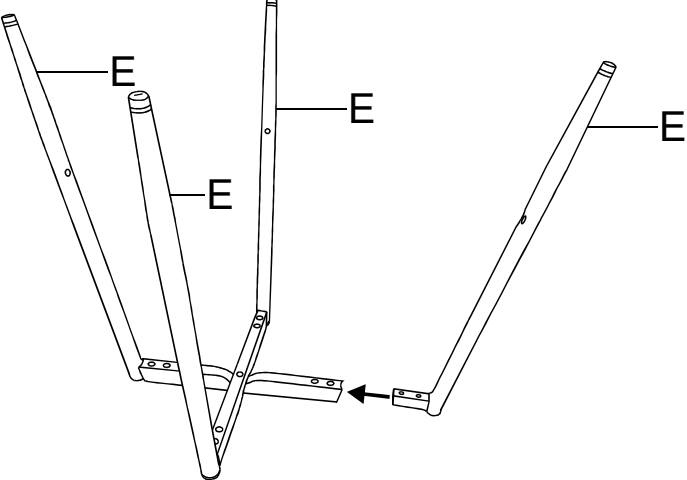
1

80%



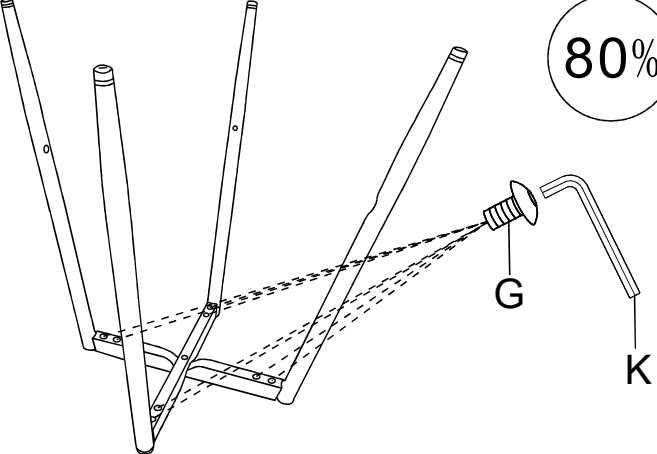
When you reach this step, do not tighten all the screws.  
Expect to tighten them to 80%

2



3

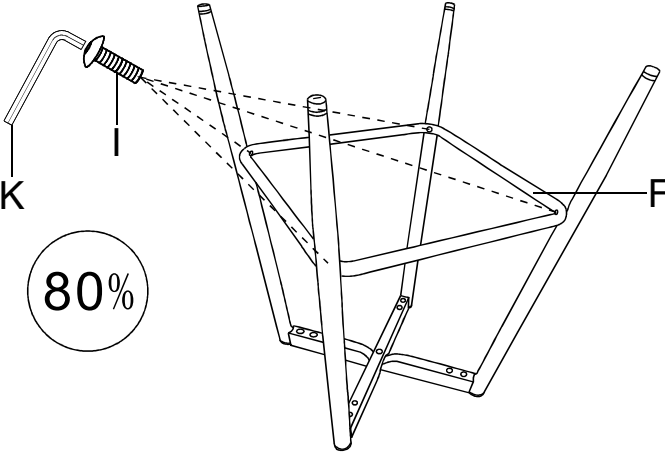
80%



When you reach this step, do not tighten all the screws.  
Expect to tighten them to 80%

4

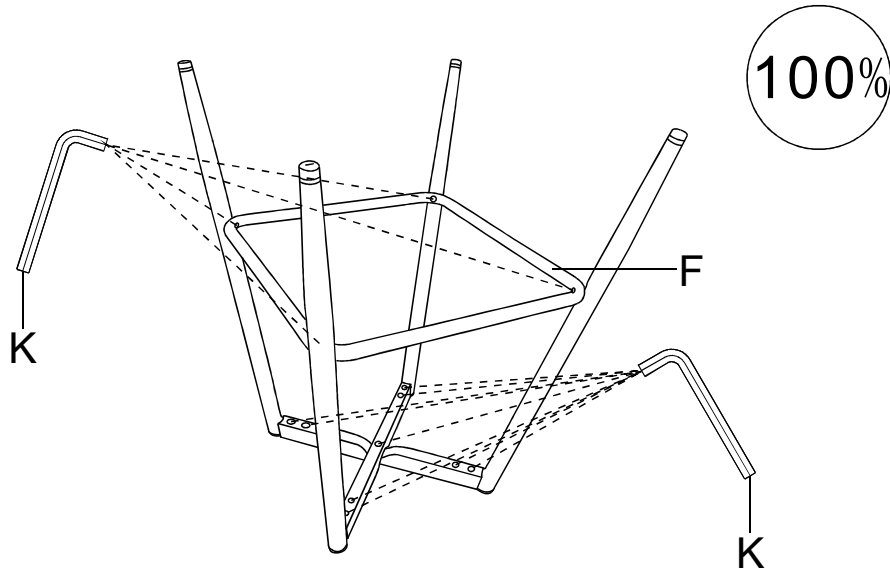
80%



When you reach this step, do not tighten all the screws.  
Expect to tighten them to 80%

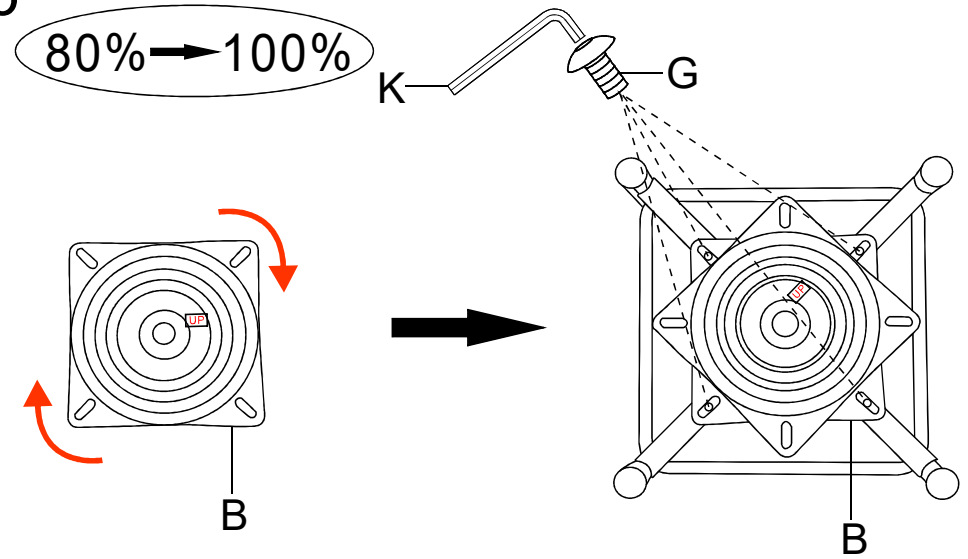
**Please note : We provide fast after-sales service, don't worry if there is something wrong with the package you received. Please contact us first, we will reply you in time!**

5



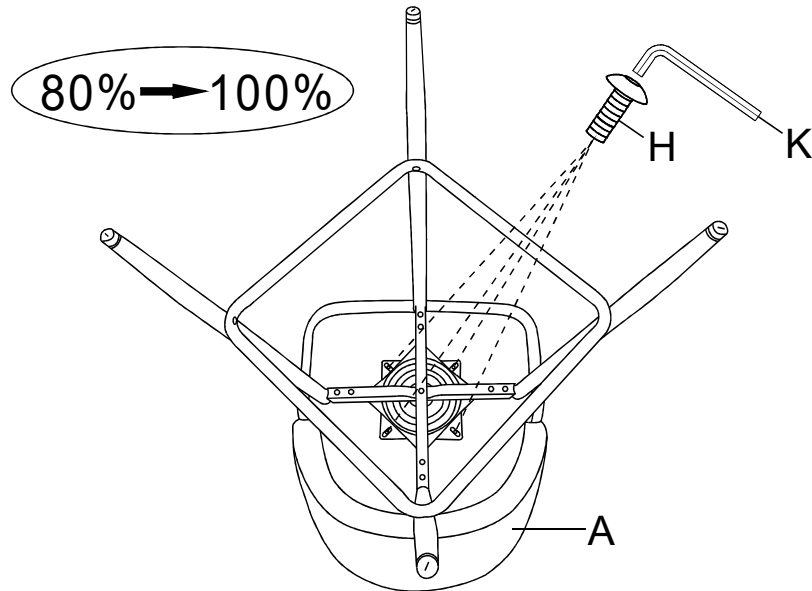
When you reach this step, all the screws need to be tightened to 100%

6



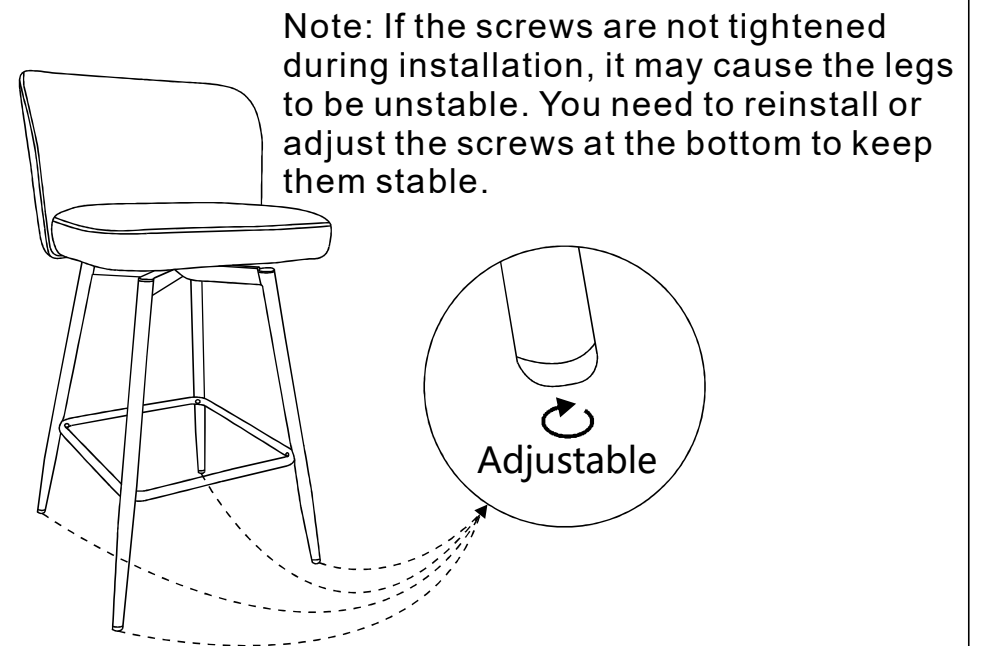
When you reach this step, each screw needs to be installed first, tightened to 80%, and then all tightened to 100%

7



When you reach this step, each screw needs to be installed first, tightened to 80%, and then all tightened to 100%

8



Note: If the screws are not tightened during installation, it may cause the legs to be unstable. You need to reinstall or adjust the screws at the bottom to keep them stable.

**Please note : We provide fast after-sales service, don't worry if there is something wrong with the package you received. Please contact us first, we will reply you in time!**