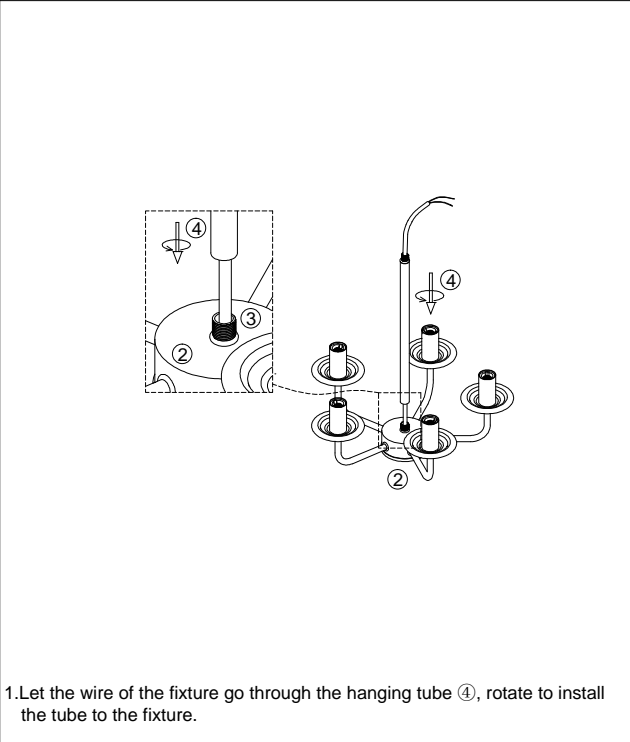
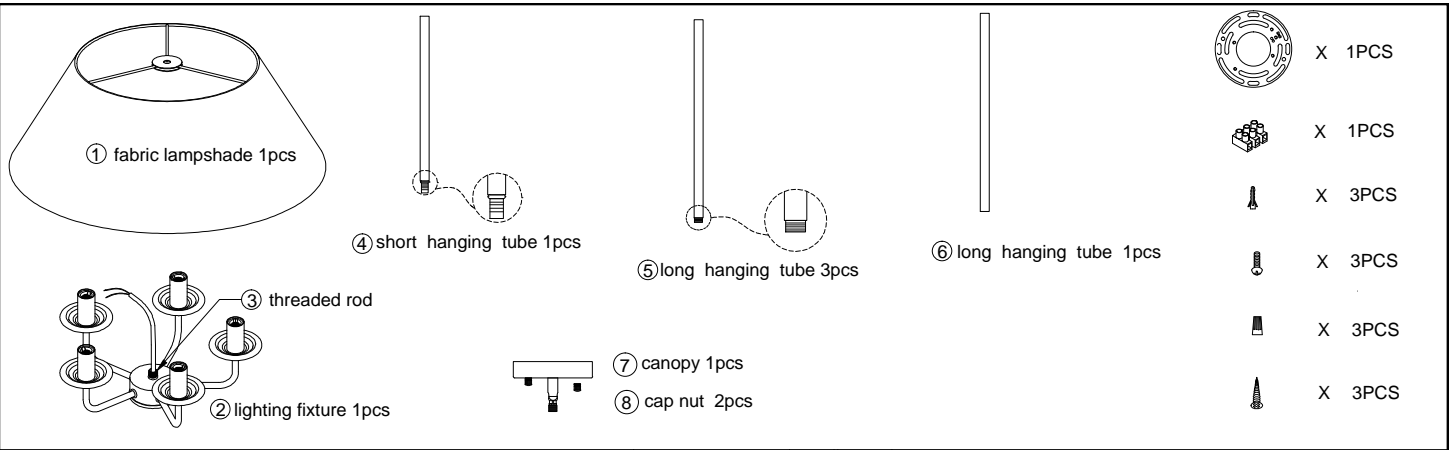
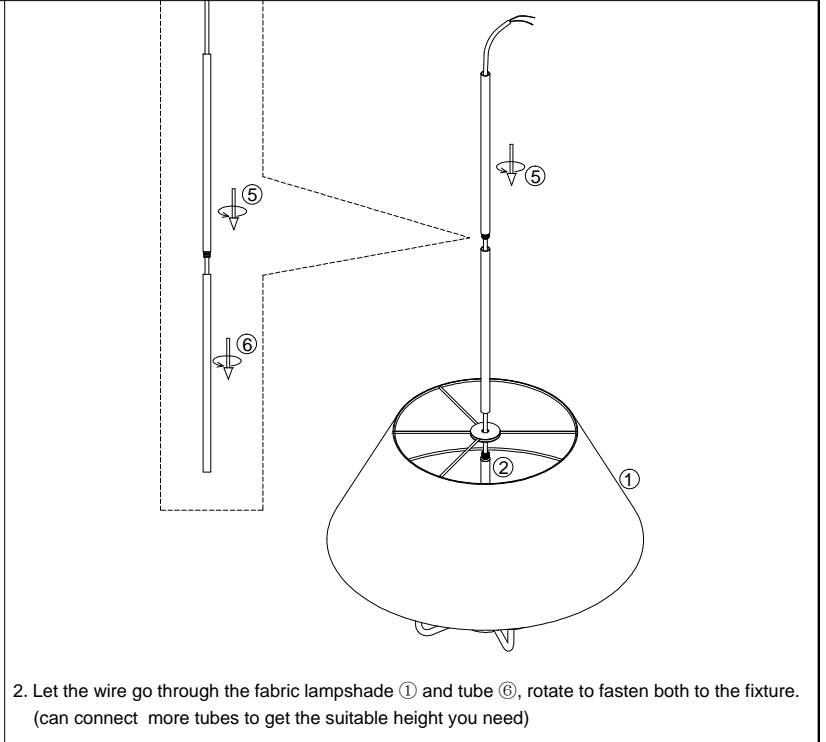


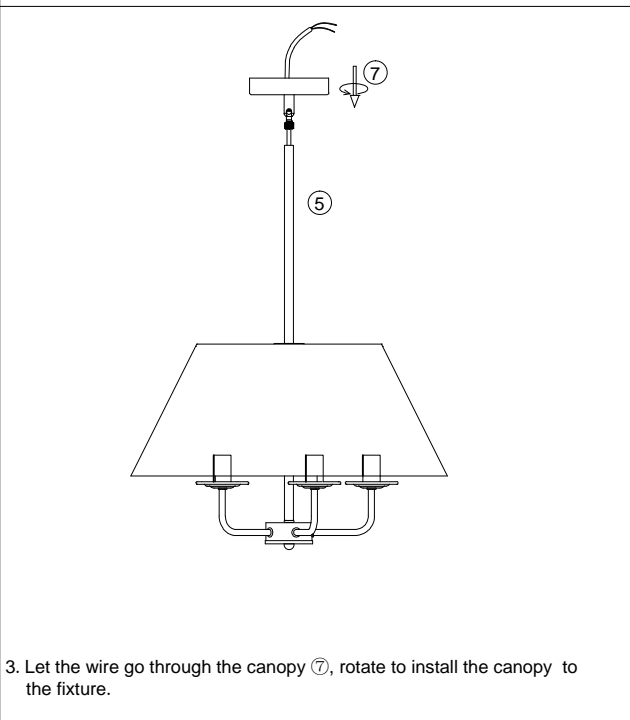
Installation & Assembly



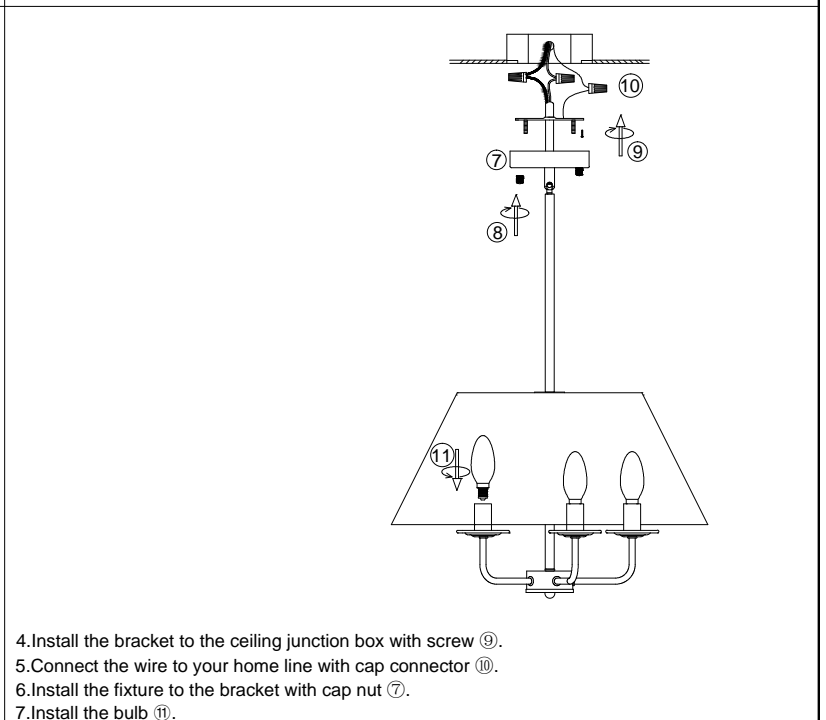
1. Let the wire of the fixture go through the hanging tube ④, rotate to install the tube to the fixture.



2. Let the wire go through the fabric lampshade ① and tube ⑥, rotate to fasten both to the fixture. (can connect more tubes to get the suitable height you need)



3. Let the wire go through the canopy ⑦, rotate to install the canopy to the fixture.



4. Install the bracket to the ceiling junction box with screw ⑨.
5. Connect the wire to your home line with cap connector ⑩.
6. Install the fixture to the bracket with cap nut ⑦.
7. Install the bulb ⑪.

Please read carefully before installation!!!
Note : Please make sure that the electricity is powered off during installation !
Only a professional electrician should install this kind of product !