

Owner Manual

THANK YOU FOR PURCHASING OUR PRODUCTS!

This furniture is designed for indoor application. Please read this booklet carefully and use all the items correctly as described. And please kindly note that the warranty does not apply to any product that has been improperly used.

After unboxing and before assembly, please check whether there are any parts damaged. If yes, please contact our customer service team by calling the numbers below. Meanwhile, please check whether you have all the parts and hardware listed. If there is any missing item, also please contact us immediately.

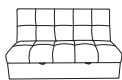
Before Assembly

- Remove all wrapping materials, staples and packing straps.
- Read the Parts List and Hardware List carefully, make sure all parts and hardware are intact.
- Place all parts on a clean and smooth surface, such as a rug or carpet, to prevent the parts from being scratched.
- Do not cross-thread screws.
- Do not use electric tools.



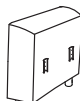
Make sure all bolts and screws are fully tightened before using chair.

Components



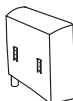
Seat frame

A: 1 PC



Arm (L)

B: 1 PC



Arm (R)

C: 1 PC



Pillow

D: 2 PCS



Roller

E: 2 PCS



Screw #8 x 25mm

F: 8 PCS



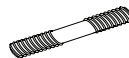
Screwdriver

G: 1 PC



extended backrest

H: 1 PC



Hanger bolt
Ø5/16" x 85mm

I: 3 PCS



Nut Ø5/16"

J: 3 PCS



Spring washer Ø5/16"

K: 3 PCS



Flat washer Ø5/16"

L: 3 PCS



Plastic nail Ø5/16" x 25mm

M: 3 PCS

1

E



Roller (2PCS)

F

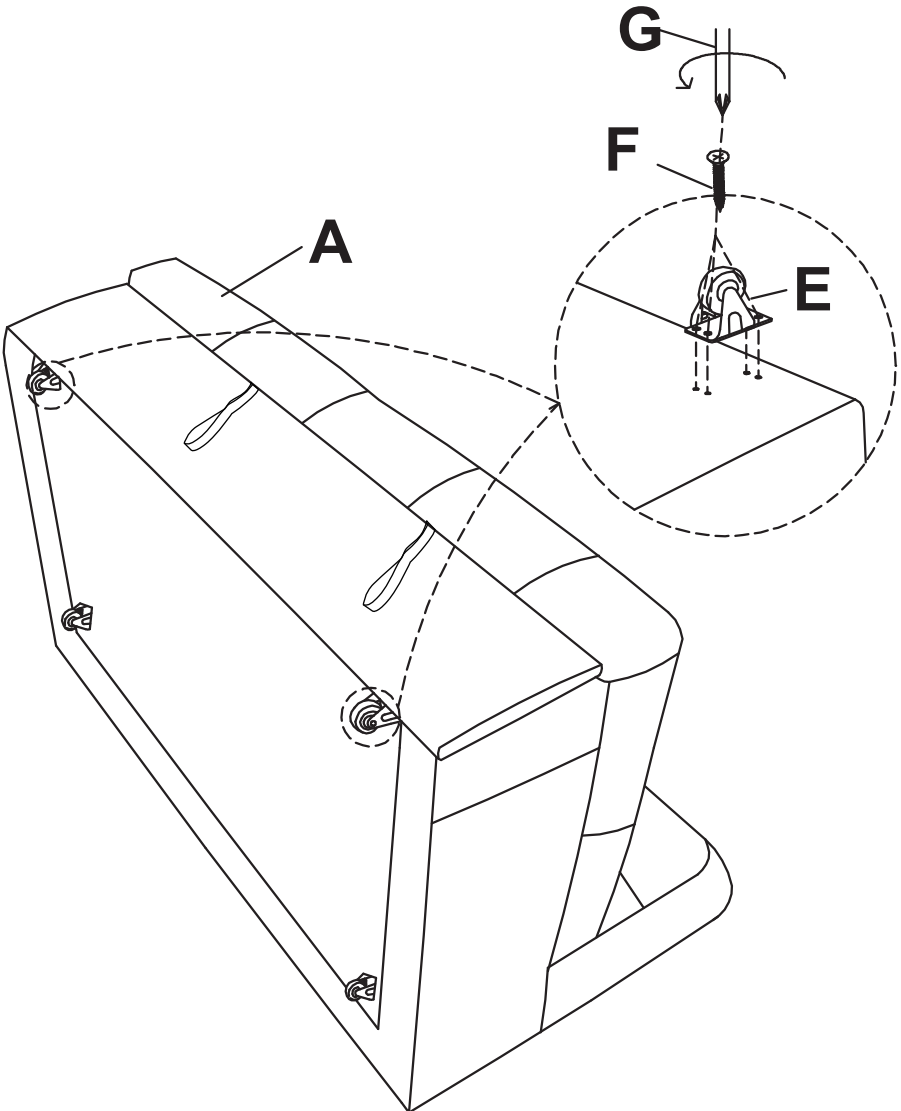


Screw #8 x 25mm (8PCS)

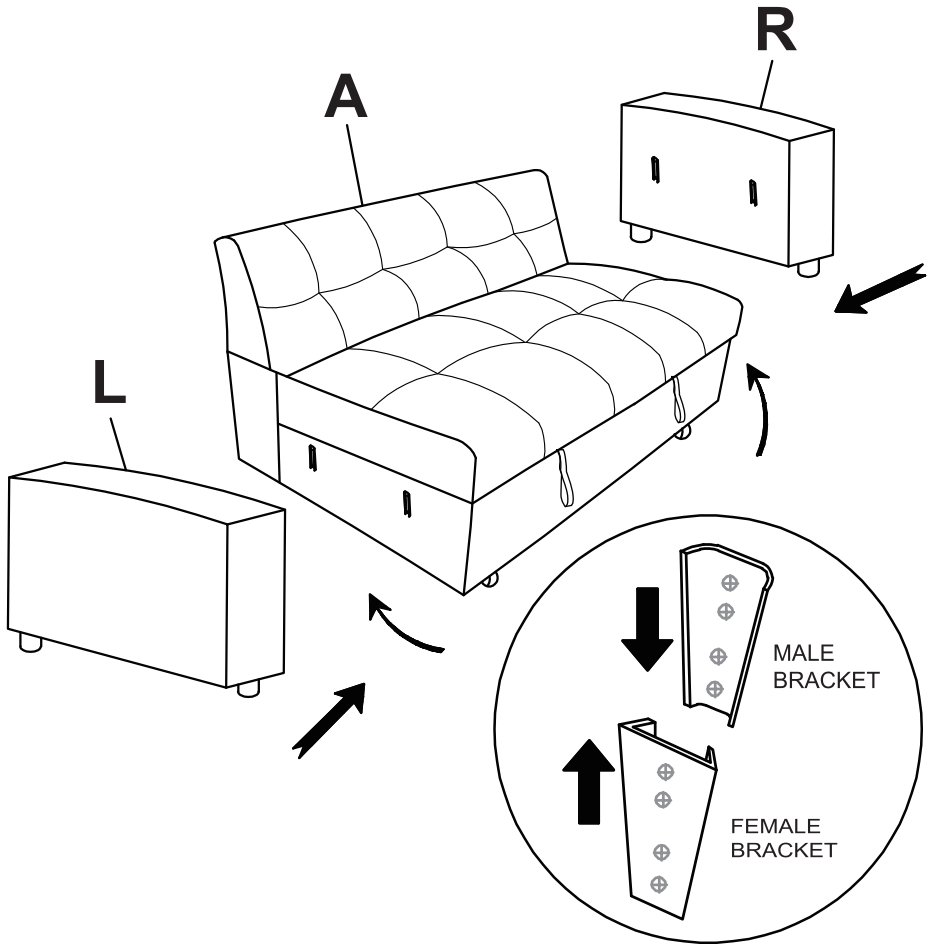
G



Screwdriver (1PC)

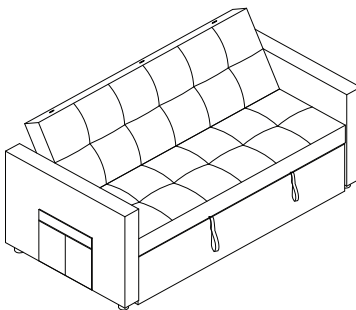


2



3

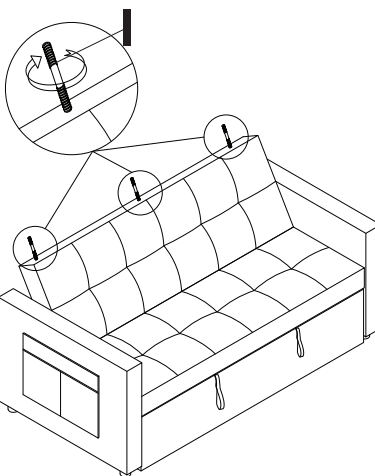
WHEN USING THE EXTENDED BACKREST H VERSION



I



Hanger bolt (3PCS)
Ø5/16" x 85mm



J



Nut Ø5/16" (3PCS)

K

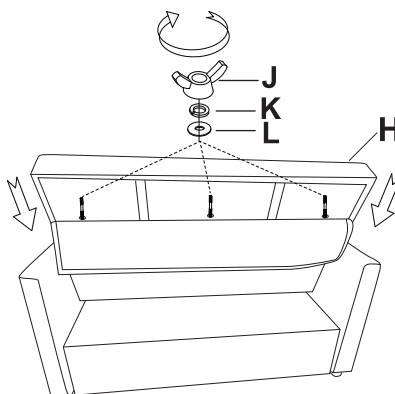


Spring washer Ø5/16" (3PCS)

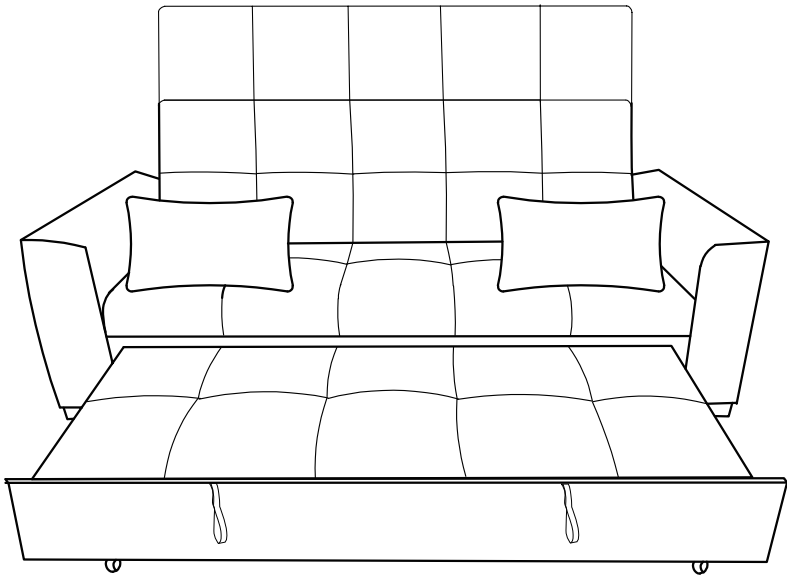
L



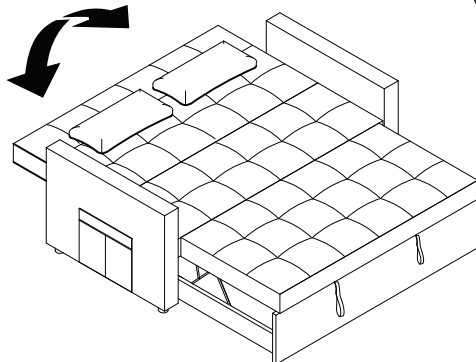
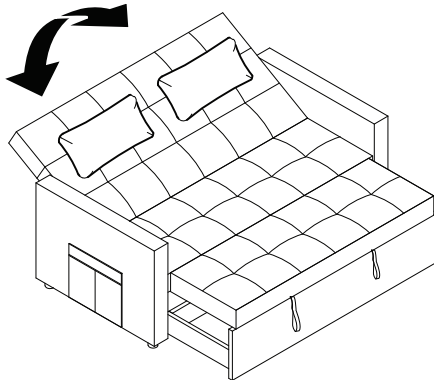
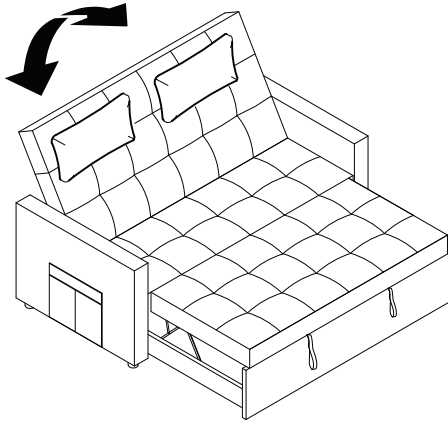
Flat washer Ø5/16" (3PCS)



4

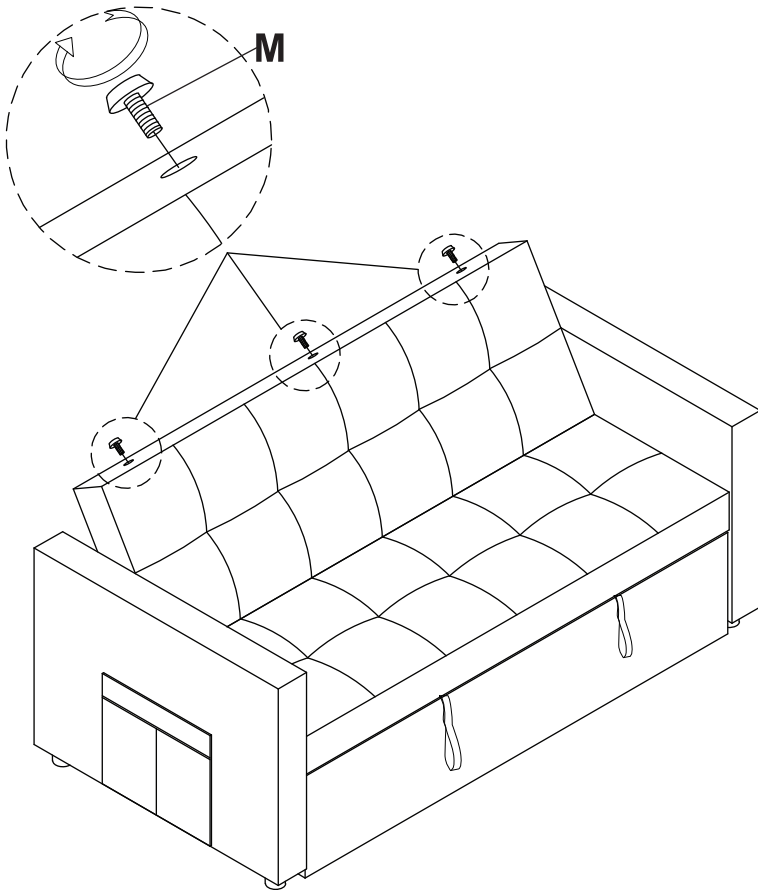


5



6

If you do not want to install the extended backrest H ,
please screw M here





Safety and Care Advice

Warnings

- Use on level surface only.
- Do not stand on the chair or use it as a ladder.
- Only one person sitting on the chair at a time is permitted.
- Do not use the chair if parts are damaged or screws are loose or missing.
- Do not sit on the edge of the seat. Please always sit properly.
- Do not allow kids to play with the chair.
- Never leave children alone with the chair.
- Severe injuries will occur, if these warnings are ignored.

Cleaning & Maintenance

Cleaning:

- Wipe with a soft, slightly moist cloth.
- Never use corrosive detergents, wire brushes, abrasive scourers, metal or sharp tools to clean this chair.

Maintenance:

- Check and tighten all parts regularly.
- If this chair is damaged or seem unsafe, immediately contact us for after sales services.

Limited Warranty

We promises to repair or replace any product or component that is found to be defective in material or workmanship within one (1) year, from the date of original purchase as the original purchaser owns and uses the products. This warranty is subject to the provisions below.