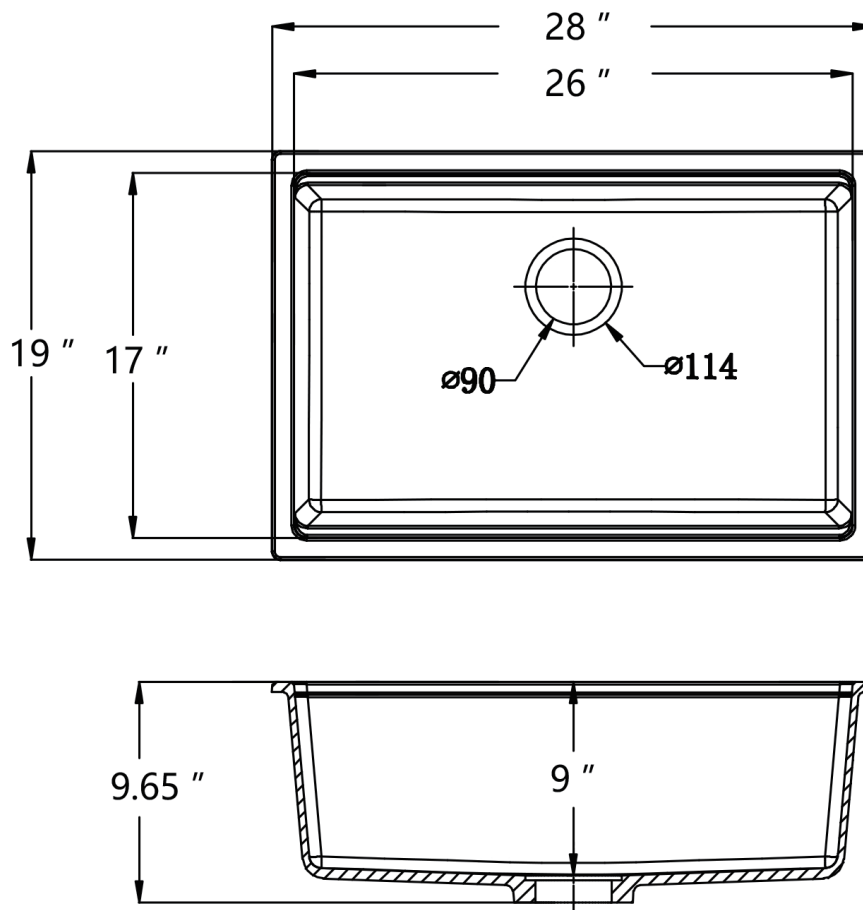


Dimension/Specification



Sink size : 28Length* 19Width* 9 5/8Depth

MINIMUM BASE CABINET : 31" WIDE, STANDARD 3 1/2" OPENING WILL.
AVAILABLE FOR GARBAGE DISPOSAL UNIT.

Sku RX-QS01-2819W