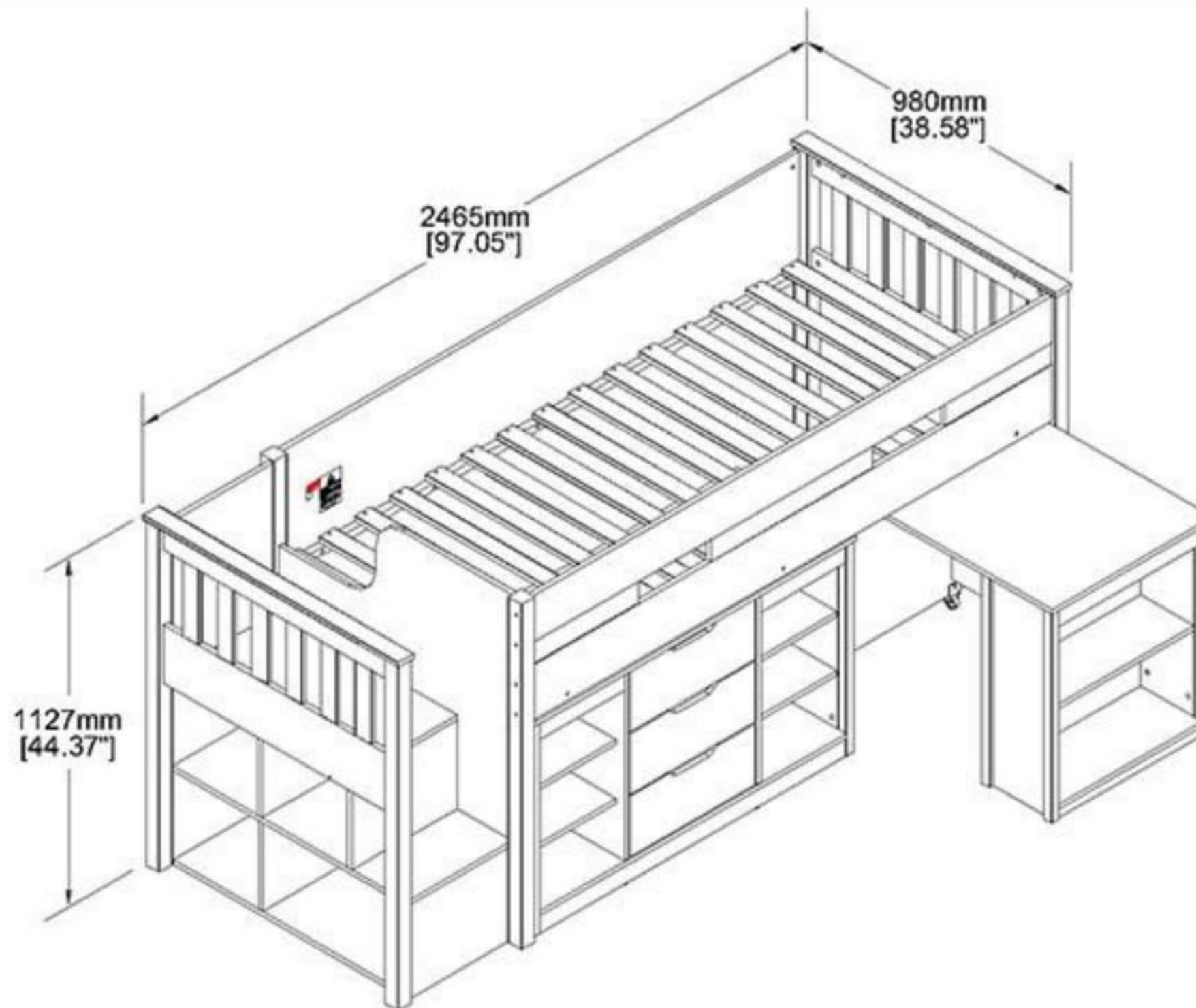


Product Size : 920mm x 1930mm (Base Int Size)

Thank you for purchasing this product. Before starting assembly we suggest you spend a short time reading through this leaflet, then follow the simple step by step guide.

Two people are needed to assemble this product.



TOP TIPS BEFORE YOU START !

IMPORTANT- READ CAREFULLY- RETAIN FOR FUTURE REFERENCE

1. Please check that all parts & hardware are present before you start the assembly of your furniture.
2. For ease and speed of assembly, we recommend that before you commence each step of the assembly, Please identify all the parts required for that step.
3. We recommend that where possible, all items are assembled near to the area in which they will be placed in use, to avoid moving the product unnecessarily once assembled.
4. For the protection of your furniture, particularly items of high gloss finish, we recommend that the product is placed on a Protected surface during assembly to prevent any damage.
5. During assembly please take care not to over-tighten any fittings, as this may damage the product.

CARE AND MAINTENANCE OF YOUR FURNITURE

- Please periodically check all fittings and re-tighten as necessary.
- To clean your item, please use a damp cloth and wipe clean.
- Never allow any kind of liquid to remain on your furniture. Absorption can cause wood to warp or finishes to de-laminate.
- Please do not place hot items (e.g hot drinks) directly on the wood surface.
- Please do not drag or pull your furniture.

IMPORTANT INFORMATION

1. Thickness of mattress should not exceed 150mm.
2. Children should be discouraged from playing on top of this bunk bed.
3. The bunk bed should be checked periodically by the owner to ensure that the guardrail, ladder, and other components are maintained in the correct position and state of repair and that all connectors are tight.
4. A bunk bed is not to be placed near a ceiling fan unless the distance between the closest points on the ceiling fan bunk. Bed is at least 2 metres.
5. Use guardrails on both sides of upper bunk.
6. Prohibit horseplay on or under bed(s).
7. Prohibit more than one person on upper bunk.
8. Use Ladder for entering and leaving upper bunk.
9. If the bunk bed will be placed next to the wall, the guardrail that runs the full length of the bed should be placed against The wall to prevent entrapment between the bed and the wall.
10. **WARNING** Do not use the bunk bed/high bed if any structural part is broken or missing.
11. A statement that ventilation of the room is necessary in order to keep the humidity low and to prevent mould in and around the bed.
12. Instructions regarding positioning and connection of the means of access.

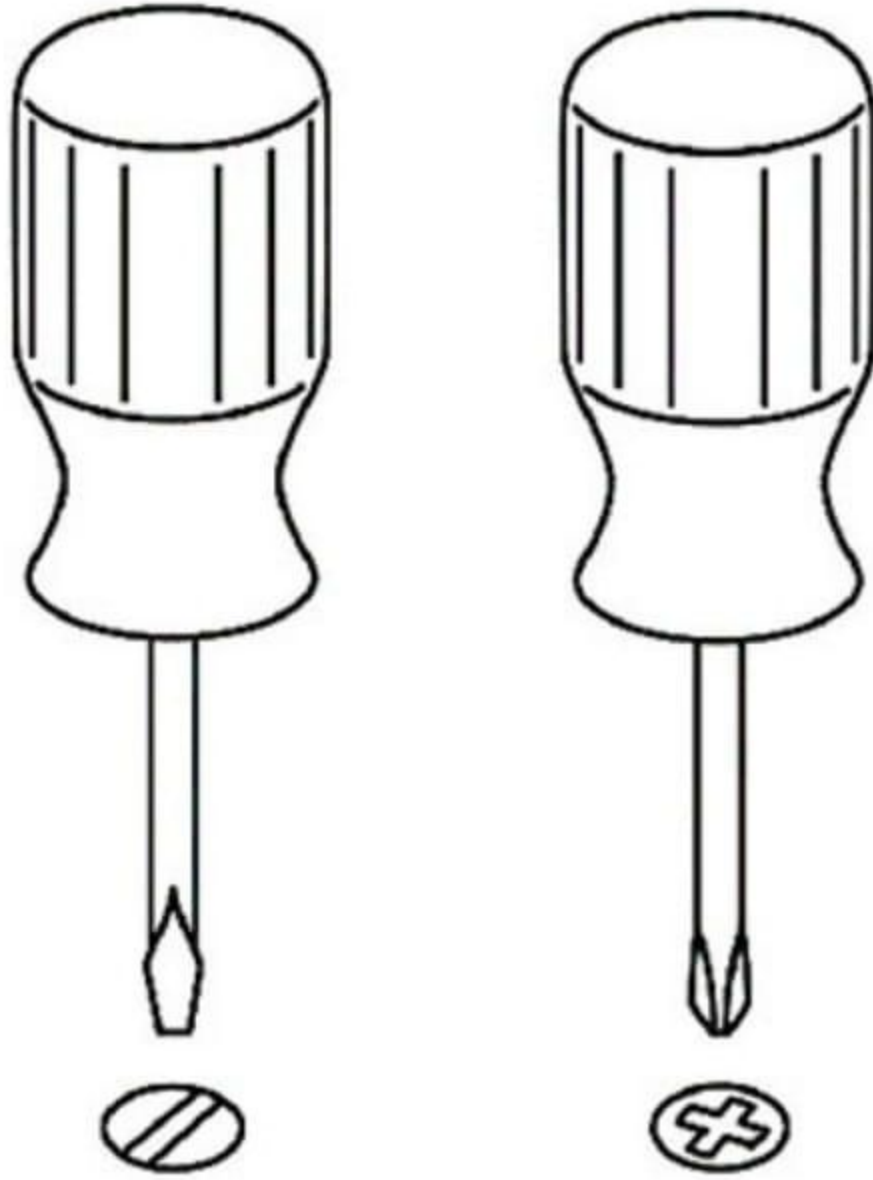
STRANGULATION HAZARD:

13. Never attach or hang items to any part of the bunk bed that are not designed for use with the bed for example, but not limited to hook, belt and jump ropes.

Guide To Assembly

Tools Required For Assembly

Phillips Screw Driver



DO NOT USE POWER TOOLS TO ASSEMBLE THIS PRODUCT. USE OF POWER TOOLS WILL INVALIDATE ANY CLAIM AND MAY DAMAGE THIS PRODUCT MAKING IT UNSAFE.

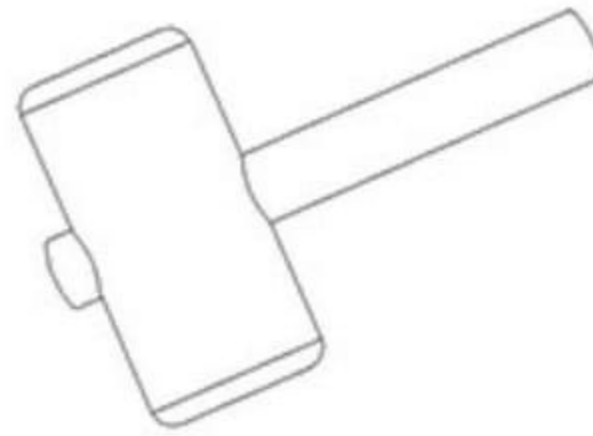


Approximately 3 hour

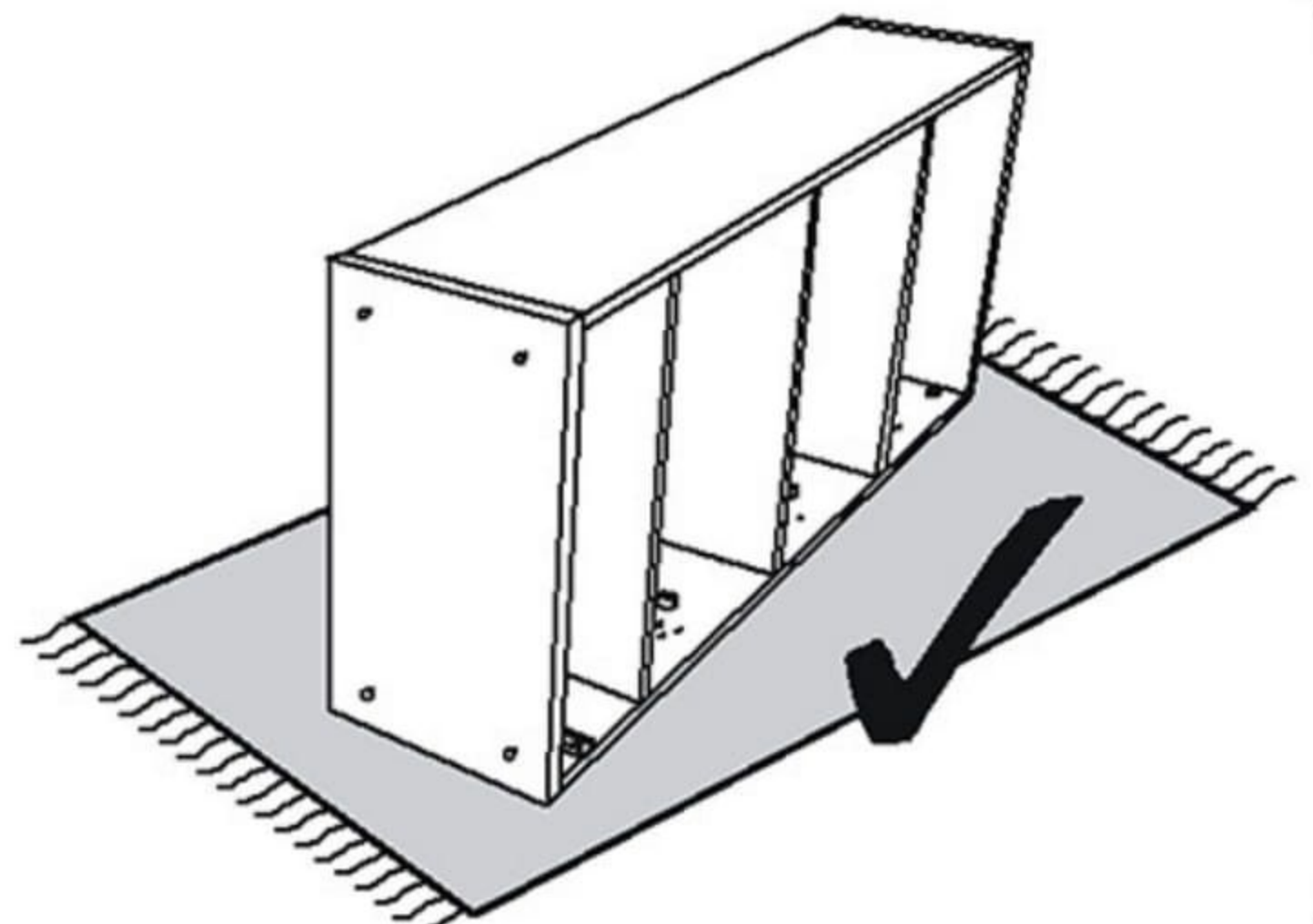
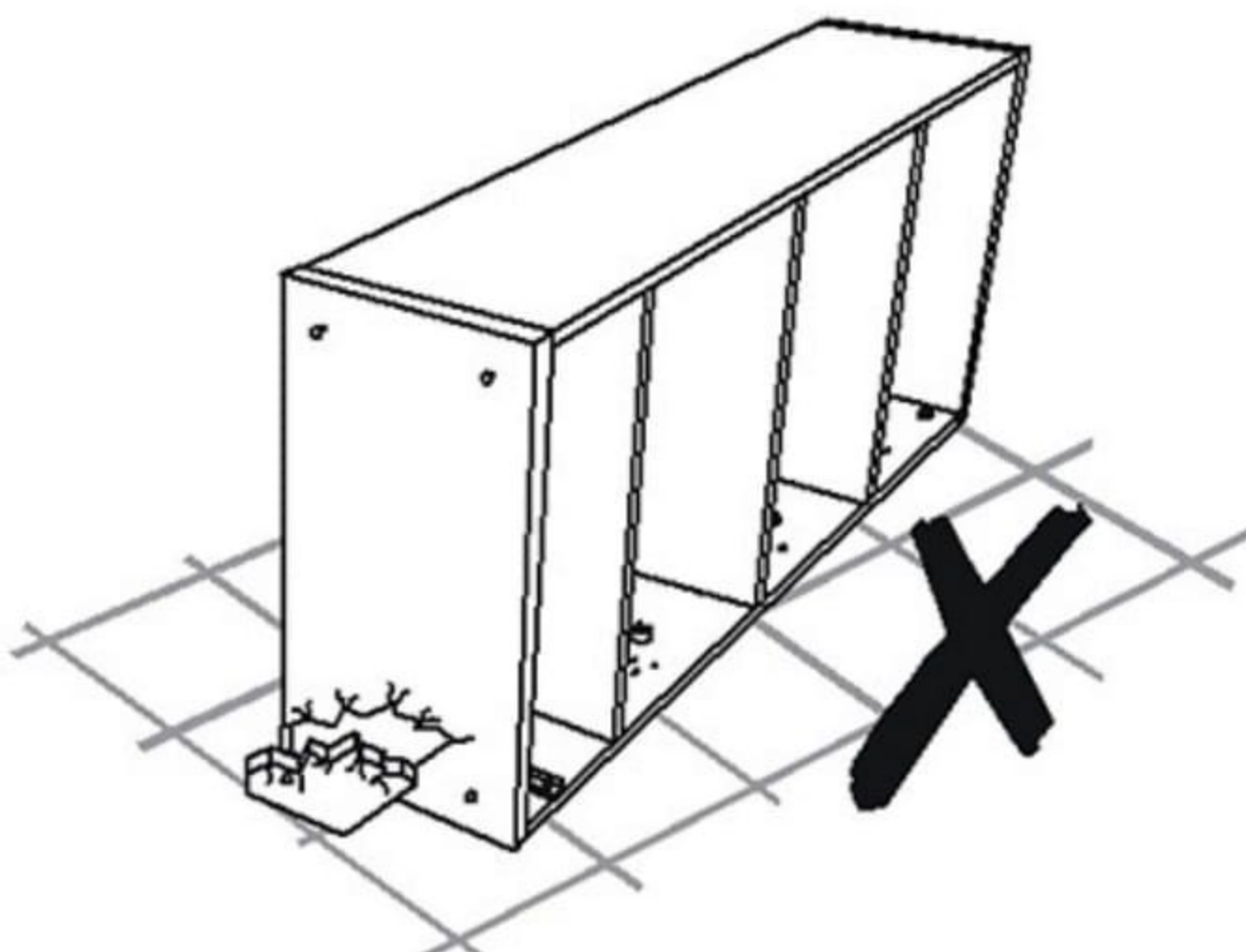
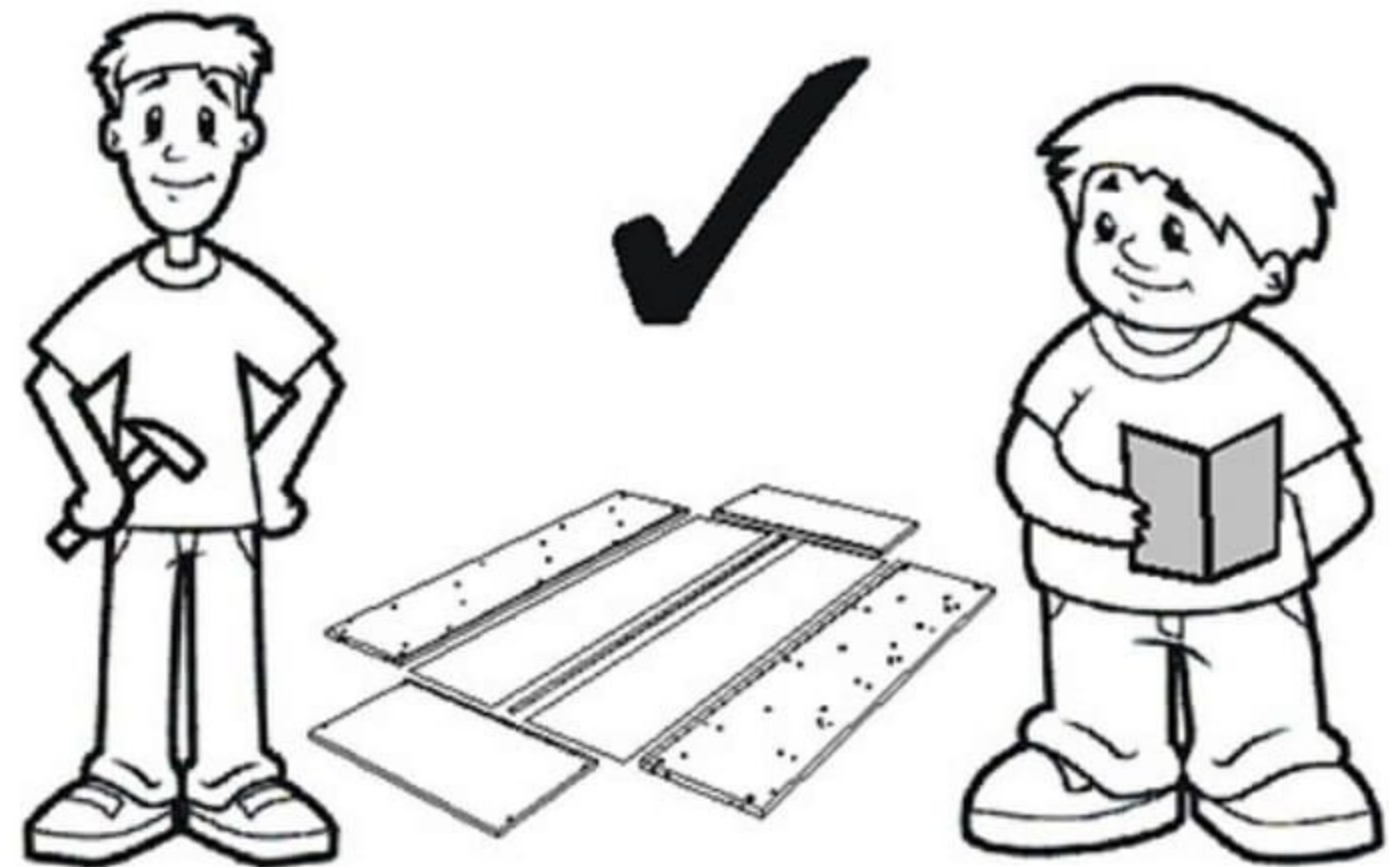
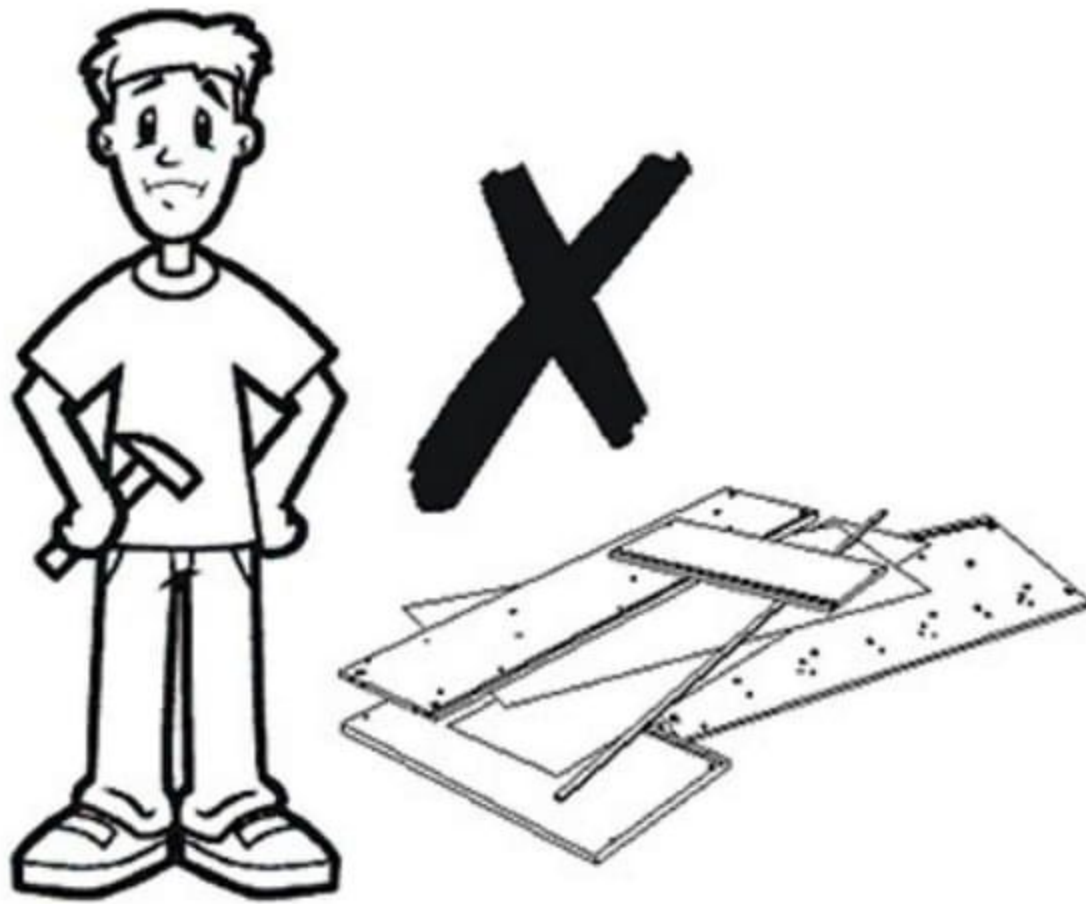


2 People Required

Rubber Hammer

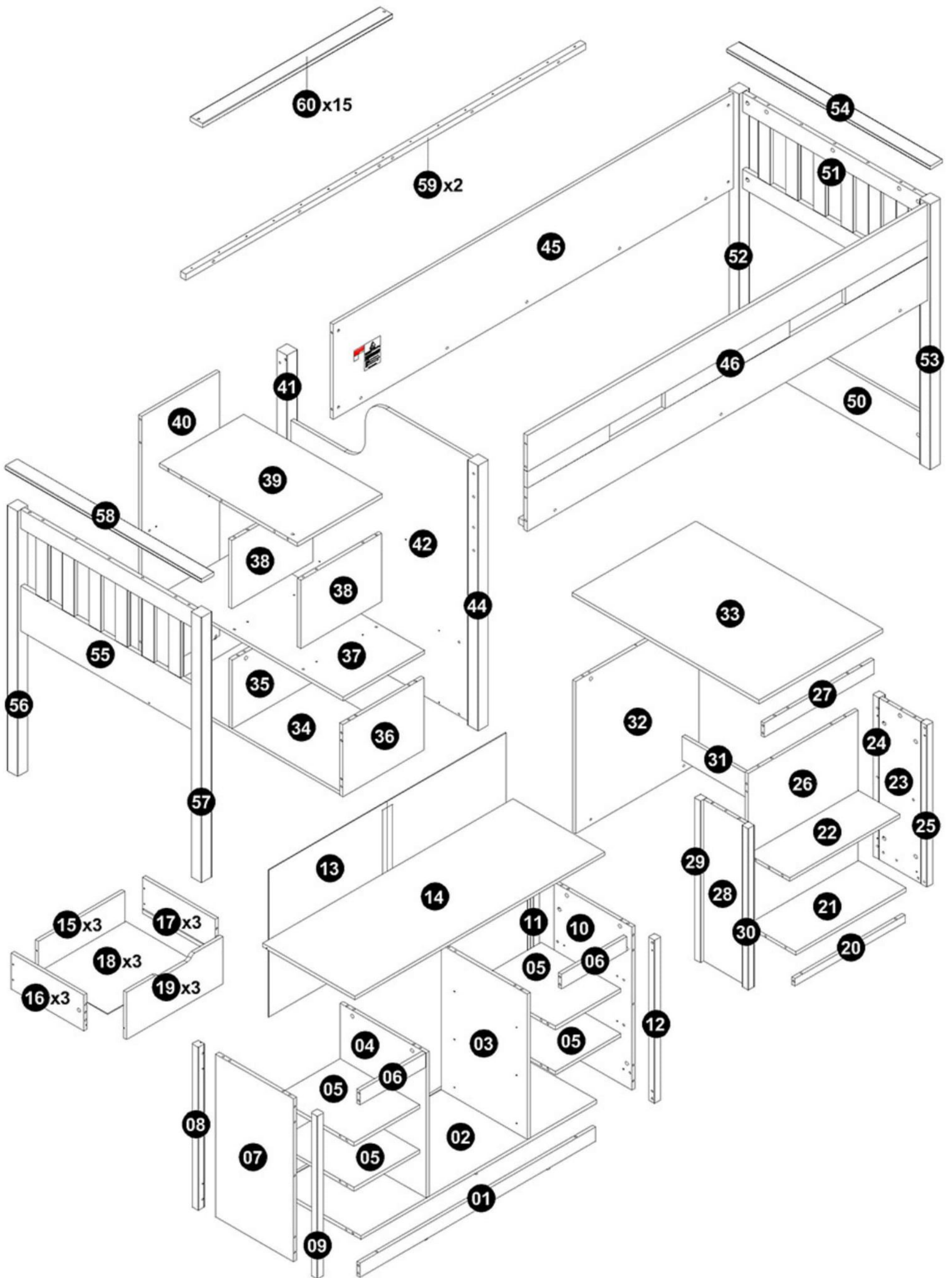


Measure



Part List

Carton 1 of 4			Carton 3 of 4		
No.	Part Name	Pcs	No.	Part Name	Pcs
34	Bottom Panel (Ladder)	1	13	Back Panel (Cabinet)	1
35	Center Panel (Ladder)	1	23	Right Panel (Desk)	1
36	Front Panel (Ladder)	1	28	Left Panel (Desk)	1
37	1st Ladder Step (Ladder)	1	32	Back Panel (Desk)	1
38	Support Panel (Ladder)	2	33	Top Panel (Desk)	1
39	2nd Ladder Step (Ladder)	1	45	Back Side Panel	1
40	Back Panel (Ladder)	1	46	Front Side Panel	1
41	Left End Panel (Back)	1	59	Side Rail	2
44	Left End Panel (Front)	1			
52	Right End Panel (Back)	1	Carton 4 of 4		
53	Right End Panel (Front)	1	01	Plinth Panel (Cabinet)	1
54	Right End Panel (Top)	1	02	Bottom Panel (Cabinet)	1
56	Ladder Side Panel (Back)	1	03	Center Panel (Cabinet)	1
57	Ladder Side Panel (Front)	1	04	Center Panel (Cabinet)	1
58	Ladder Side Panel (Top)	1	05	Center Panel (Cabinet)	4
Assembly Instructions + Fitting List			06	Front Panel (Cabinet)	2
			07	Left Panel (Cabinet)	1
Carton 2 of 4			08	Left Post (Cabinet)	1
			09	Left Post (Cabinet)	1
15	Back Panel (Drawer)	3	10	Right Panel (Cabinet)	1
16	Left Panel (Drawer)	3	11	Right Post (Cabinet)	1
17	Right Panel (Drawer)	3	12	Right Post (Cabinet)	1
18	Bottom Panel (Drawer)	3	14	Top Panel (Cabinet)	1
19	Front Panel (Drawer)	3	24	Right Post (Desk)	1
20	Plinth Panel (Desk)	1	25	Right Post (Desk)	1
21	Bottom Panel (Desk)	1	29	Left Post (Desk)	1
22	Center Panel (Desk)	1	30	Left Post (Desk)	1
26	Back Panel (Desk)	1			
27	Plinth Panel (Desk)	1			
31	Center Support Panel (Desk)	1			
42	Left End Panel (Center)	1			
50	Right End Panel (Center)	1			
51	Right End Panel (Center)	1			
55	Ladder Side Panel (Center)	1			
60	LVL Base	15			



Carton 1 of 4 Fitting List

No.	Part Name		Pcs
A	Cam Stud (small)		120
B	Cam		120
C	M8 x 25mm Wood Dowel		172
D	M8 x 50mm Wood Dowel		14
E	45mm Chipboard Screw		14
F	38mm Chipboard Screw		12
G	14mm Chipboard Screw		34
H	14" Drawer Slide (SJ)		3 sets
J	40mm White Nylon Caster		2
K	40mm Straight Nylon Caster		2
L	25mm Allen Bolt		2
M	M6 Cap Nut		2
N	M6 x 13mm Baller		8
P	M6 Round Nut		5
Q	M6 x 90mm Allen Bolt		26
R	M6 x 50mm Allen Bolt		20
T	M6 x 35mm Allen Bolt		10
U	M6 x 30mm Allen Bolt		60
W	M6 JCN Nut		14
X	M6 Allen Wrench		2
Y	Sticker (Extra 1 pcs)		2
Z	5/8 PVC Feet Nail		2

Caution

There are many small components used in the construction of this unit. These loose items should be kept away from young children whilst assembling your unit. As an extra precaution, screw cover caps should be permanently fixed in position. (Where applicable)

USEFUL HINTS & TIPS

Two people will be required to assemble this unit

Please keep this assembly instruction for future reference

Guide To Assembly

1



A x 10



Z x 2



B x 25



C x 42



P x 1

WHEN FITTING CAMS

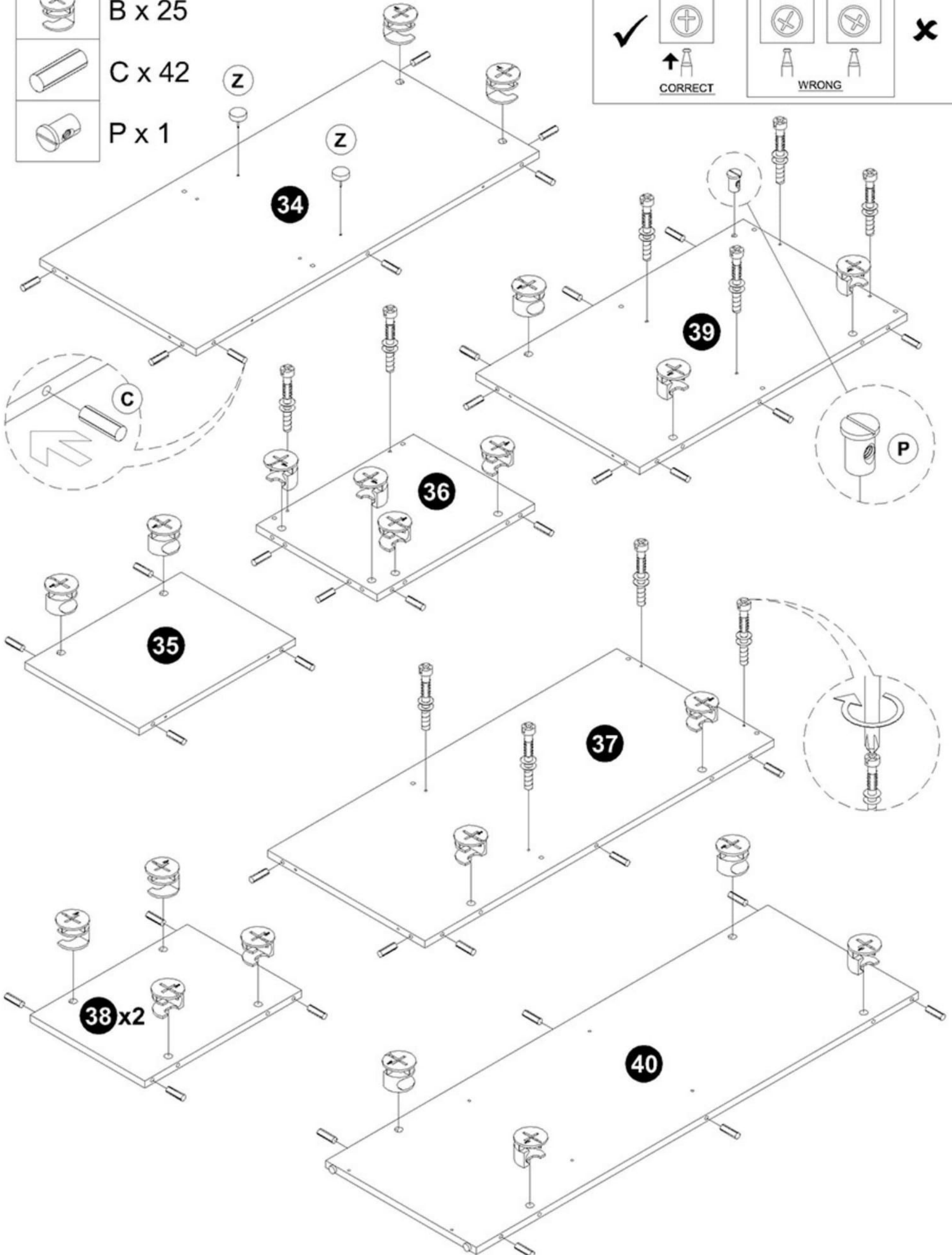
ENSURE STARTING POSITION IS CORRECT
BEFORE YOU INSERT CONNECTING BOLT
TURN CLOCKWISE UNTIL SECURE



CORRECT



WRONG

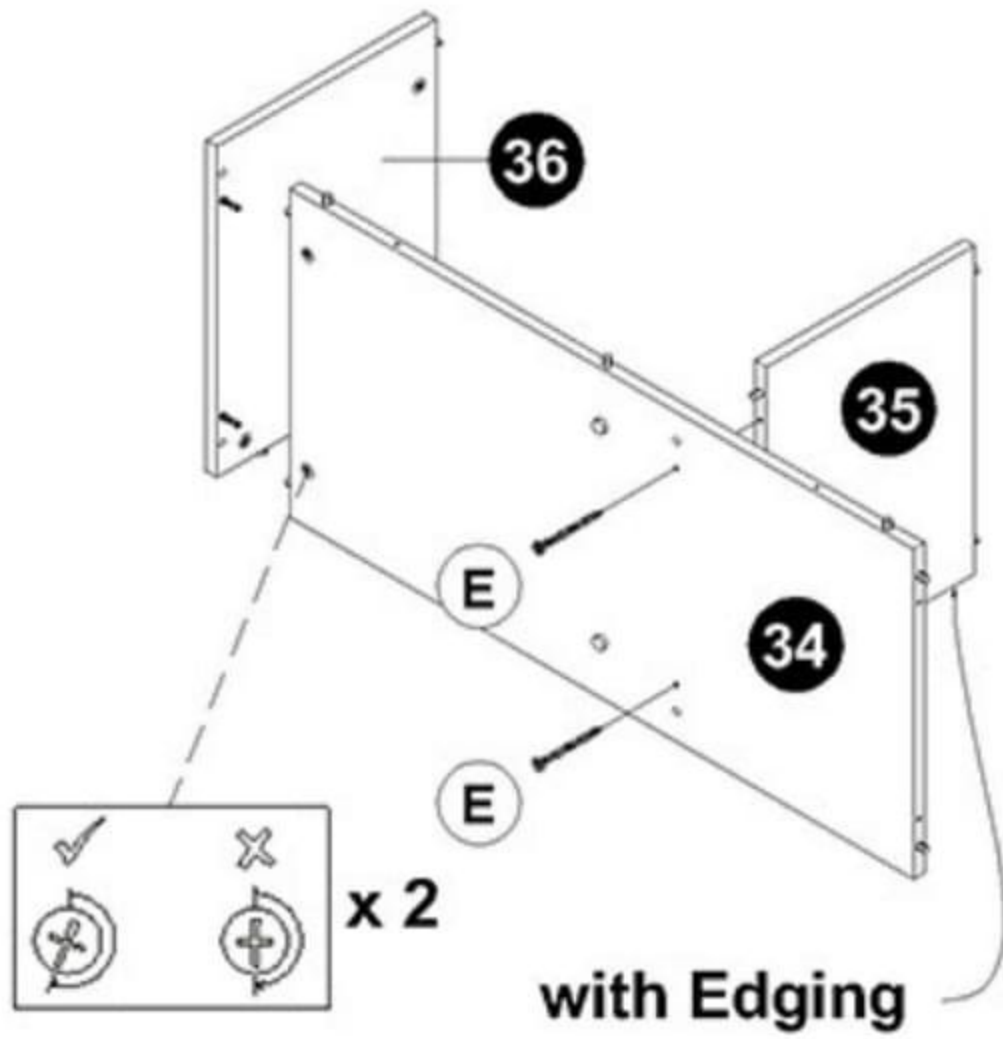


Guide To Assembly

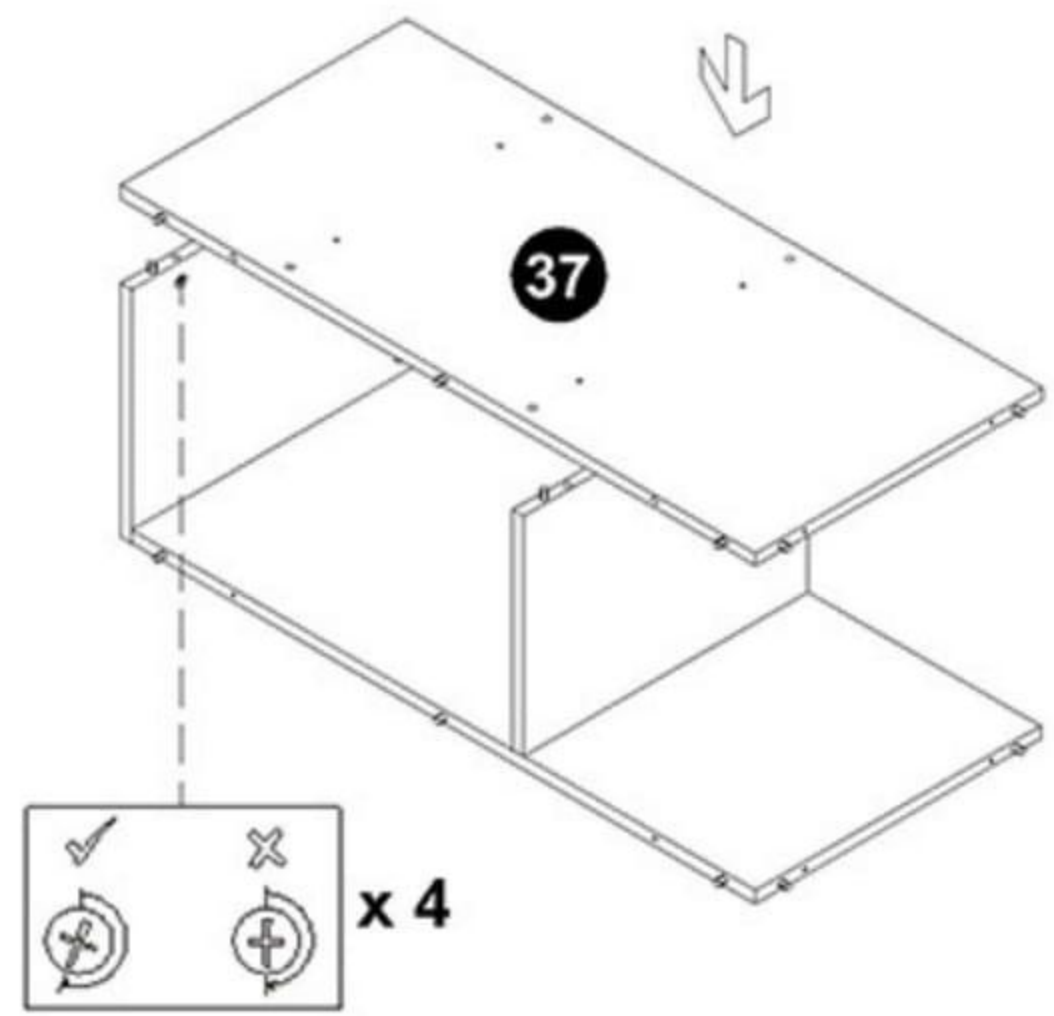
2



E x 2



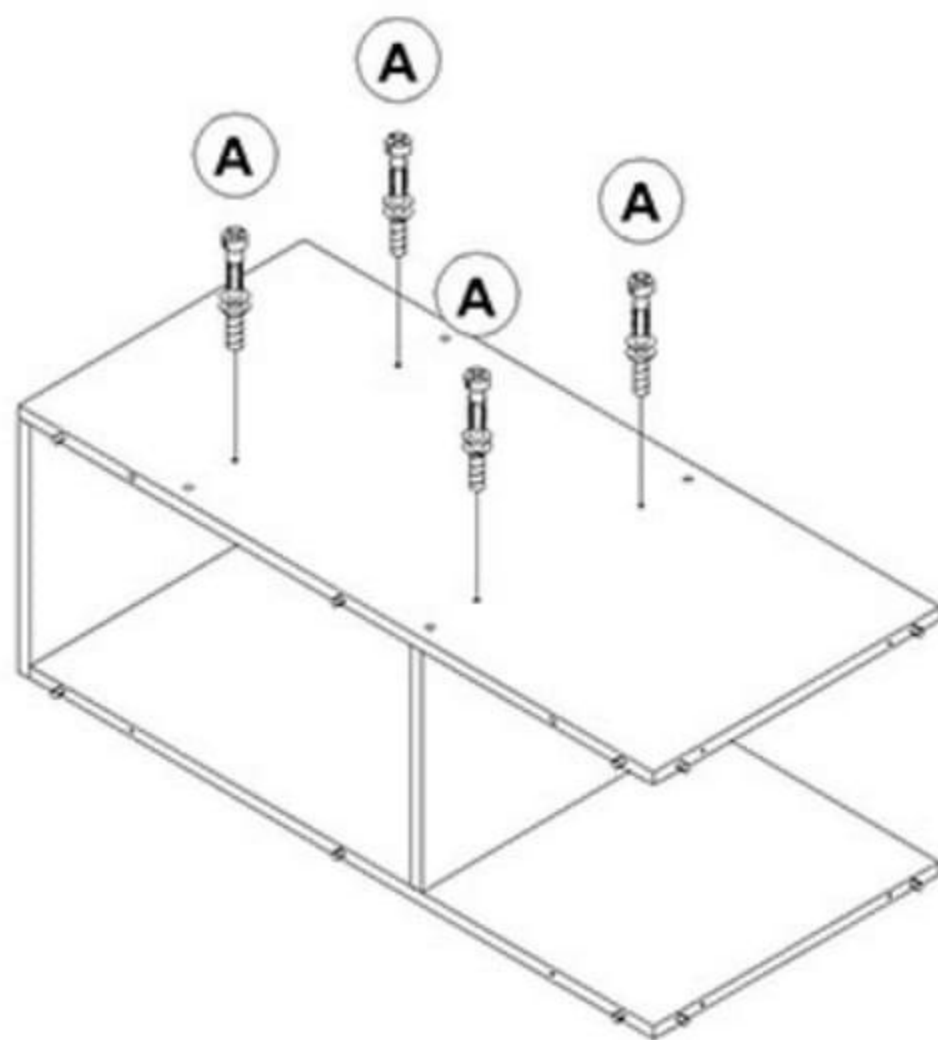
3



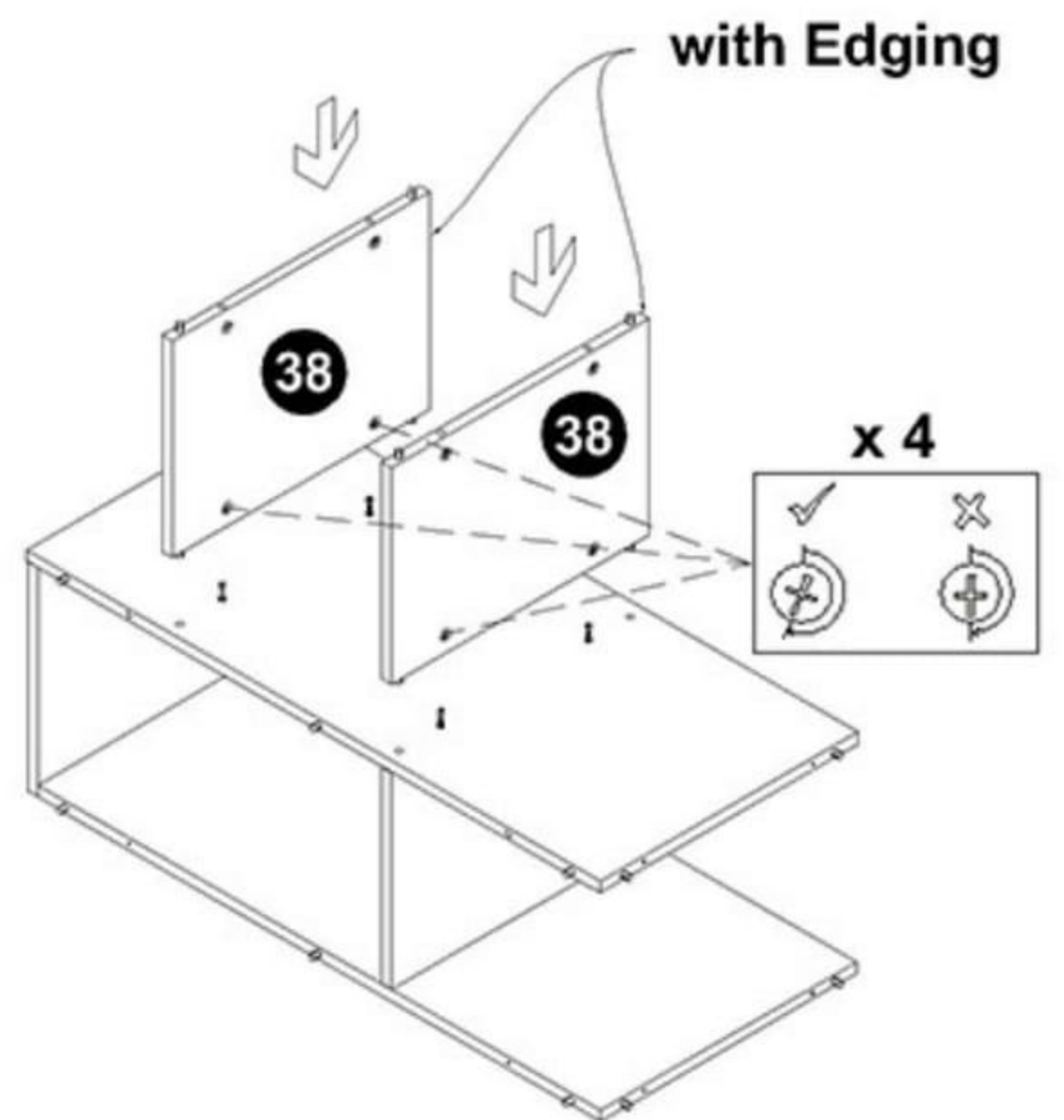
4



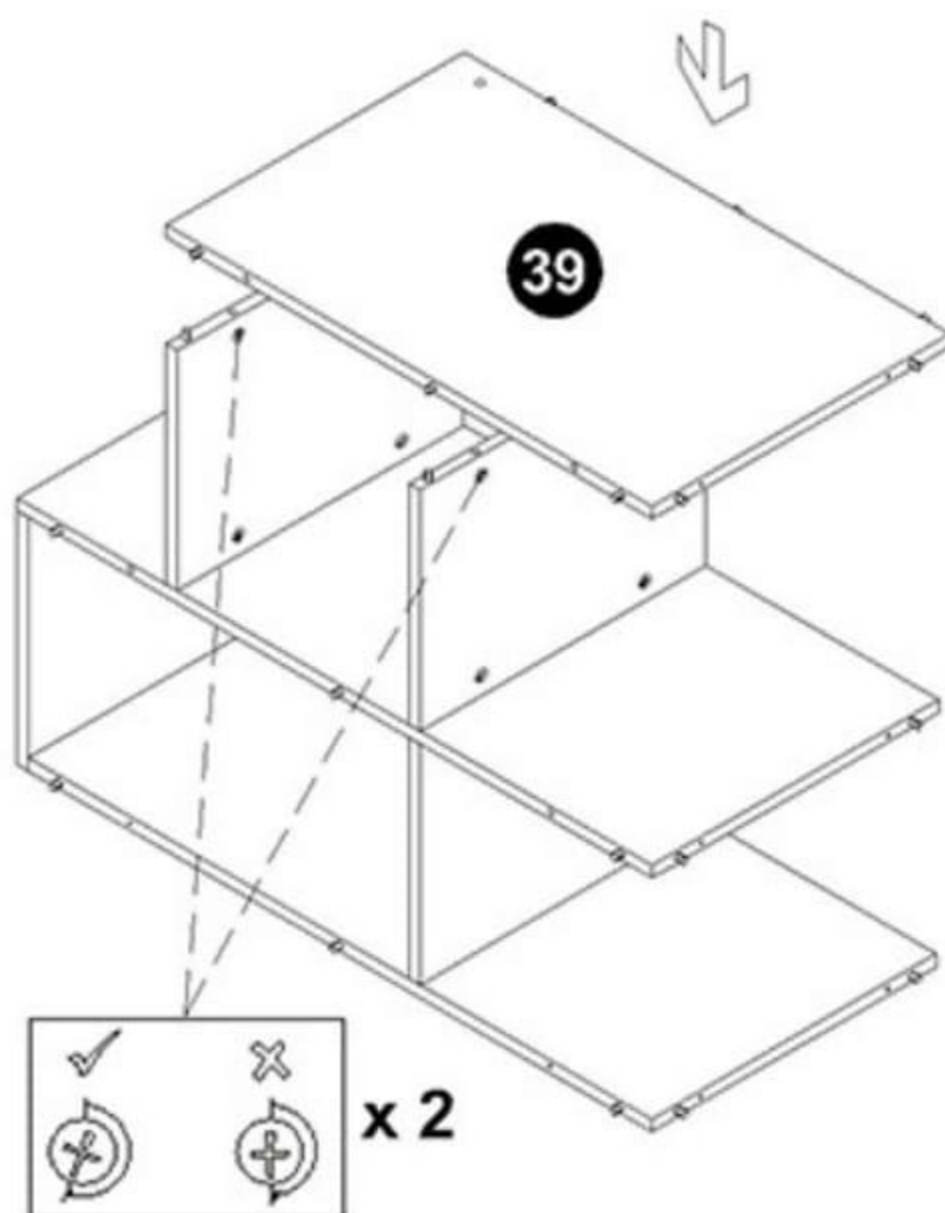
A x 4



5



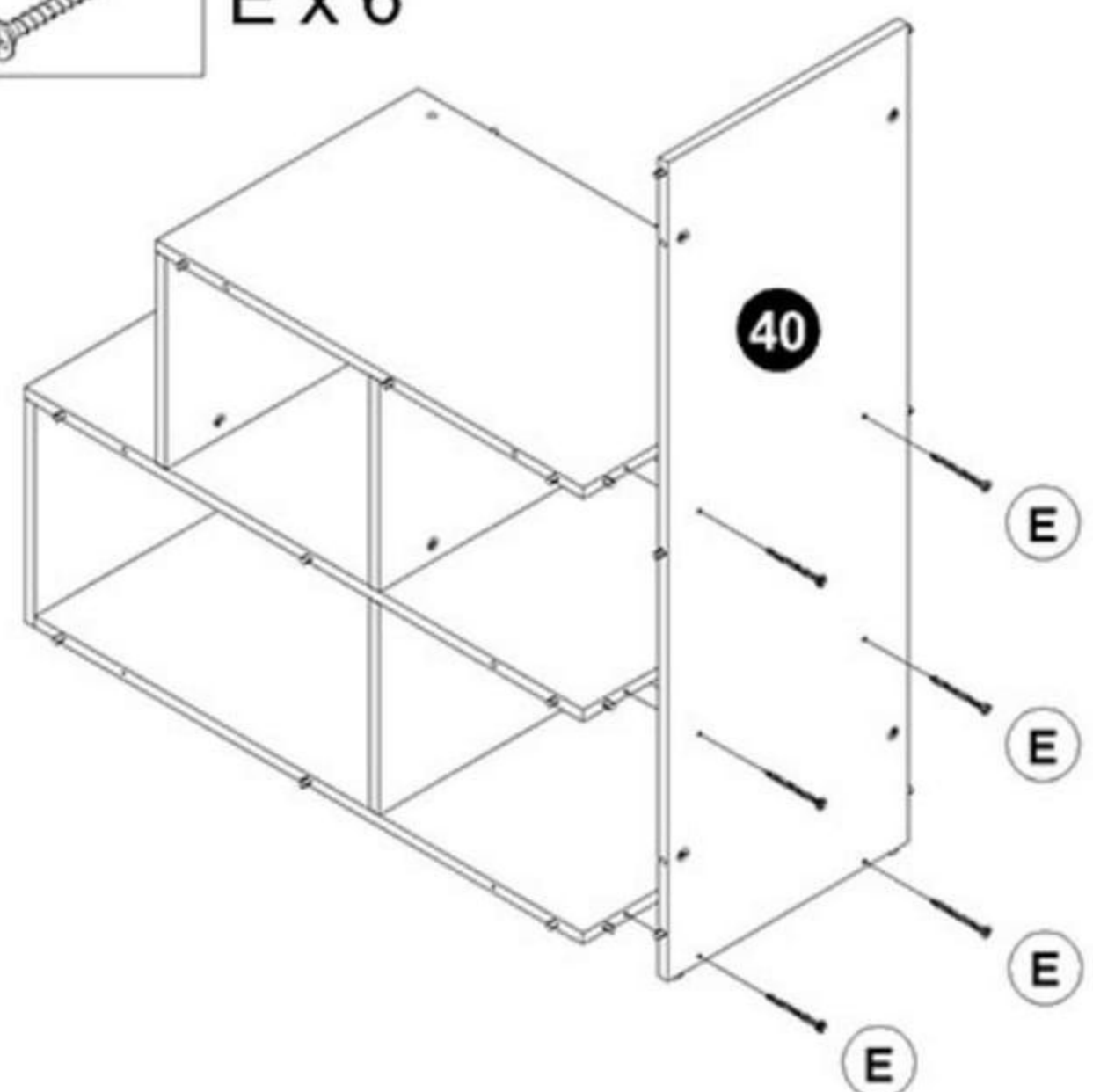
6



7



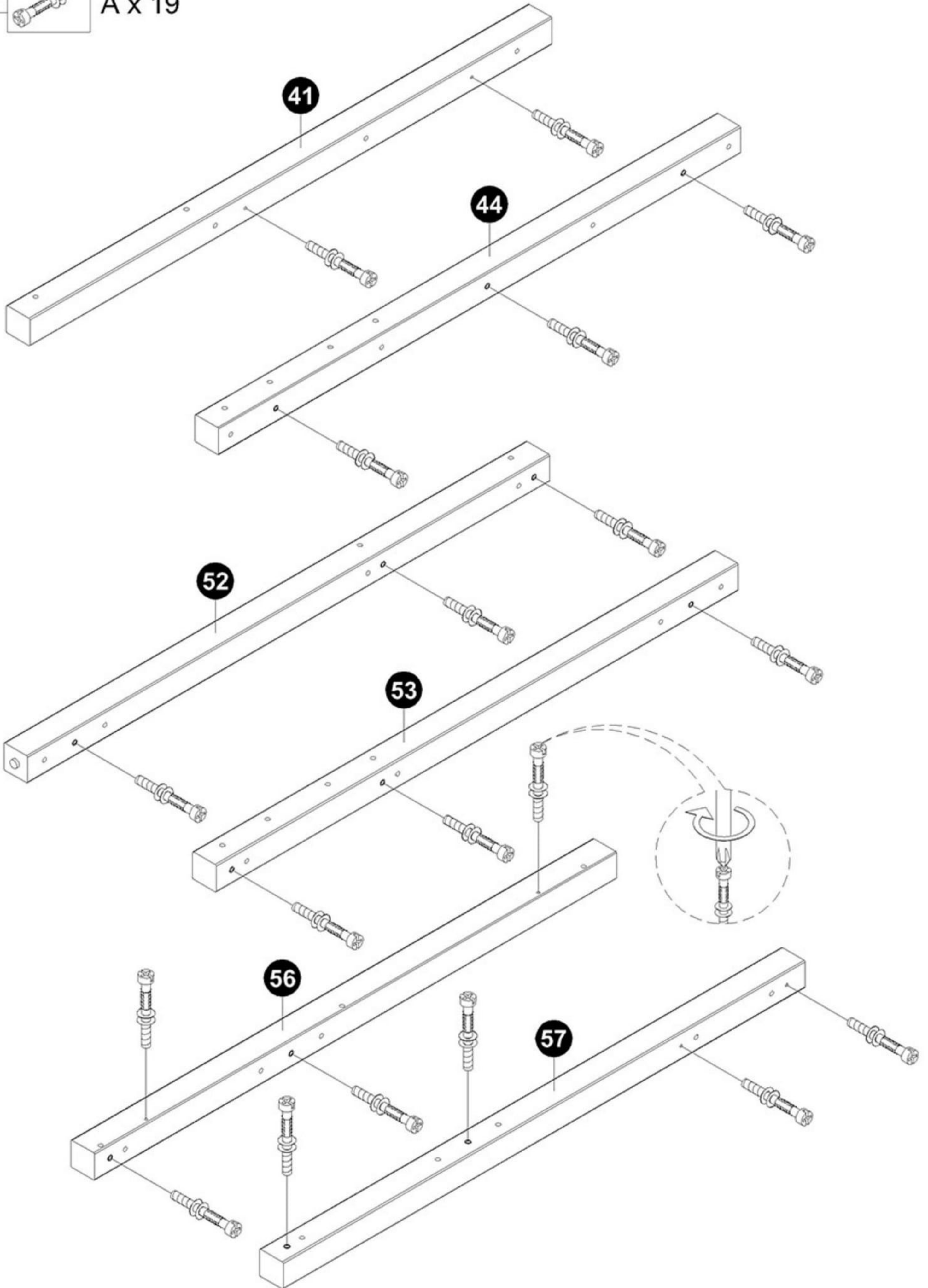
E x 6



8



A x 19



Guide To Assembly

9



A x 1



B x 19



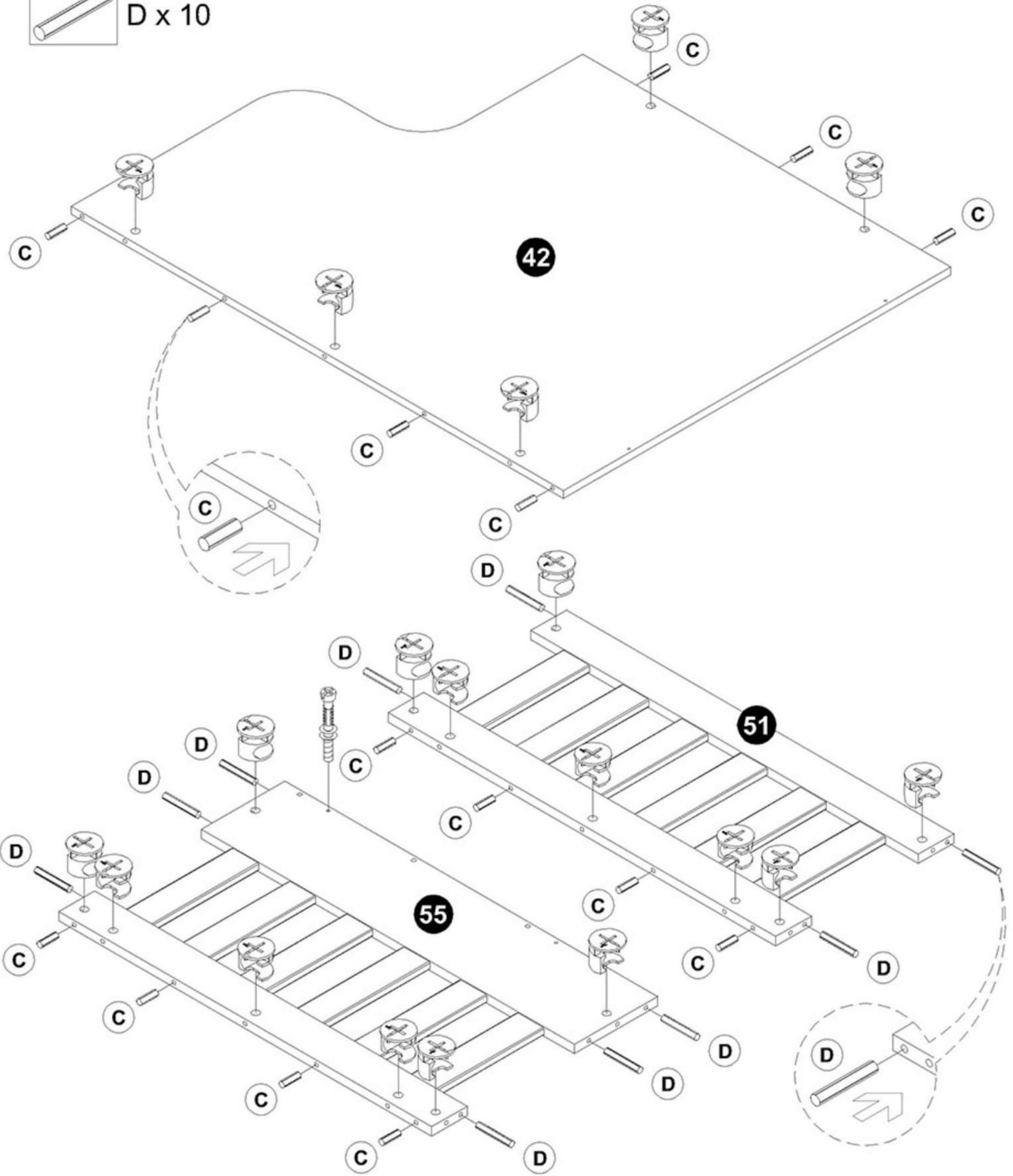
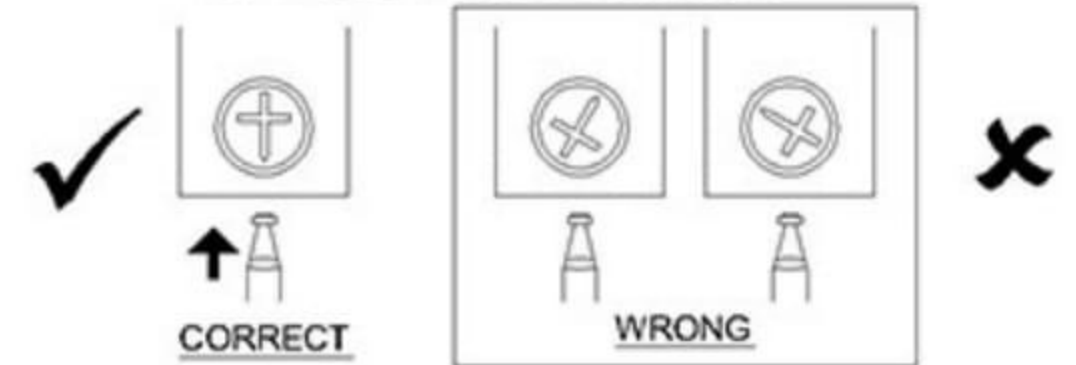
C x 15



D x 10

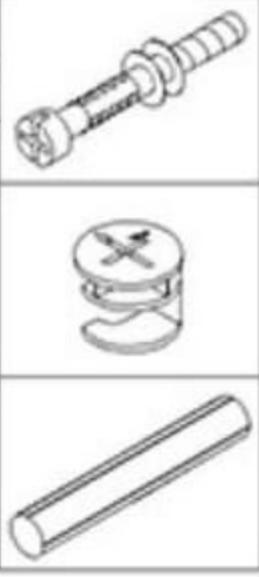
WHEN FITTING CAMS

ENSURE STARTING POSITION IS CORRECT
BEFORE YOU INSERT CONNECTING BOLT
TURN CLOCKWISE UNTIL SECURE



Guide To Assembly

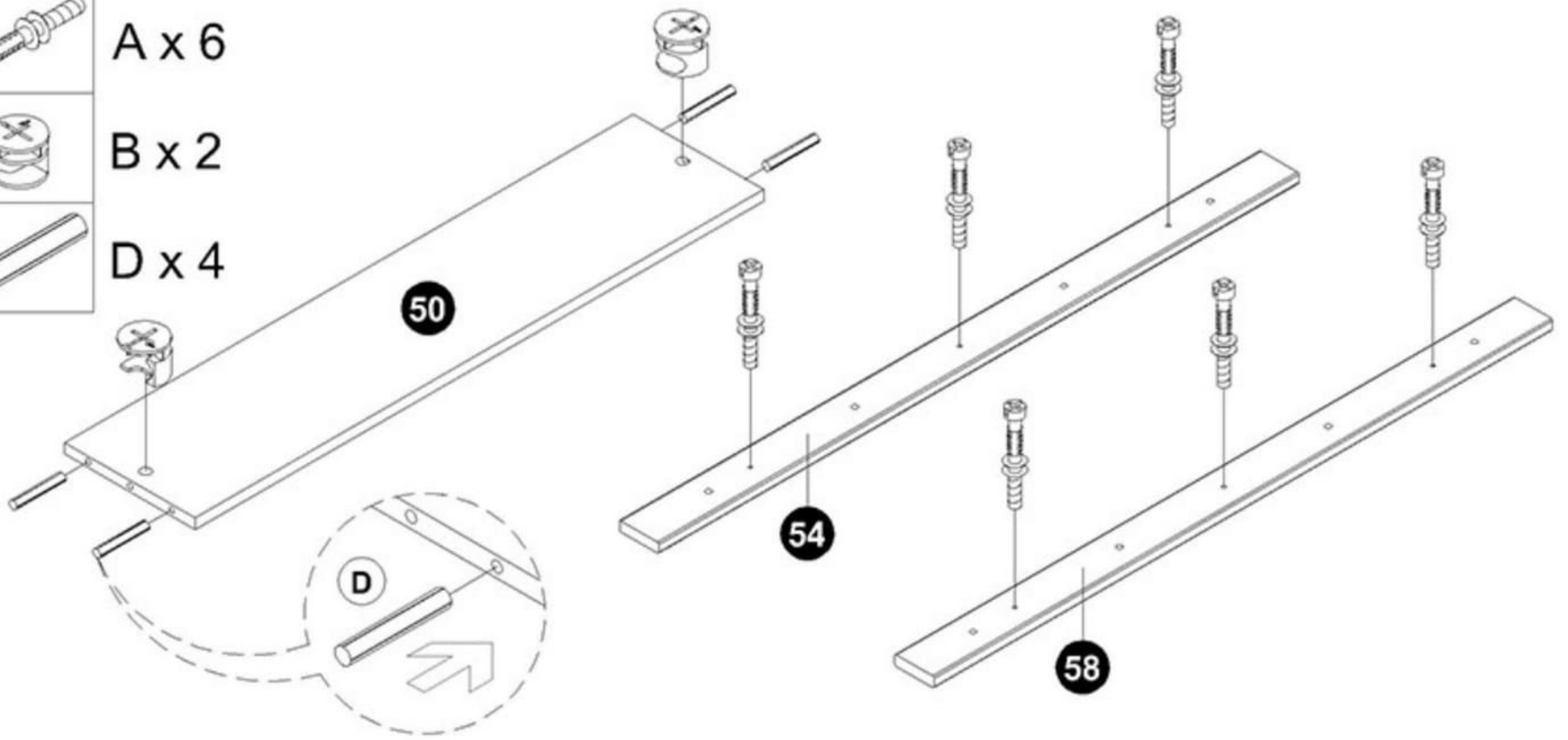
10



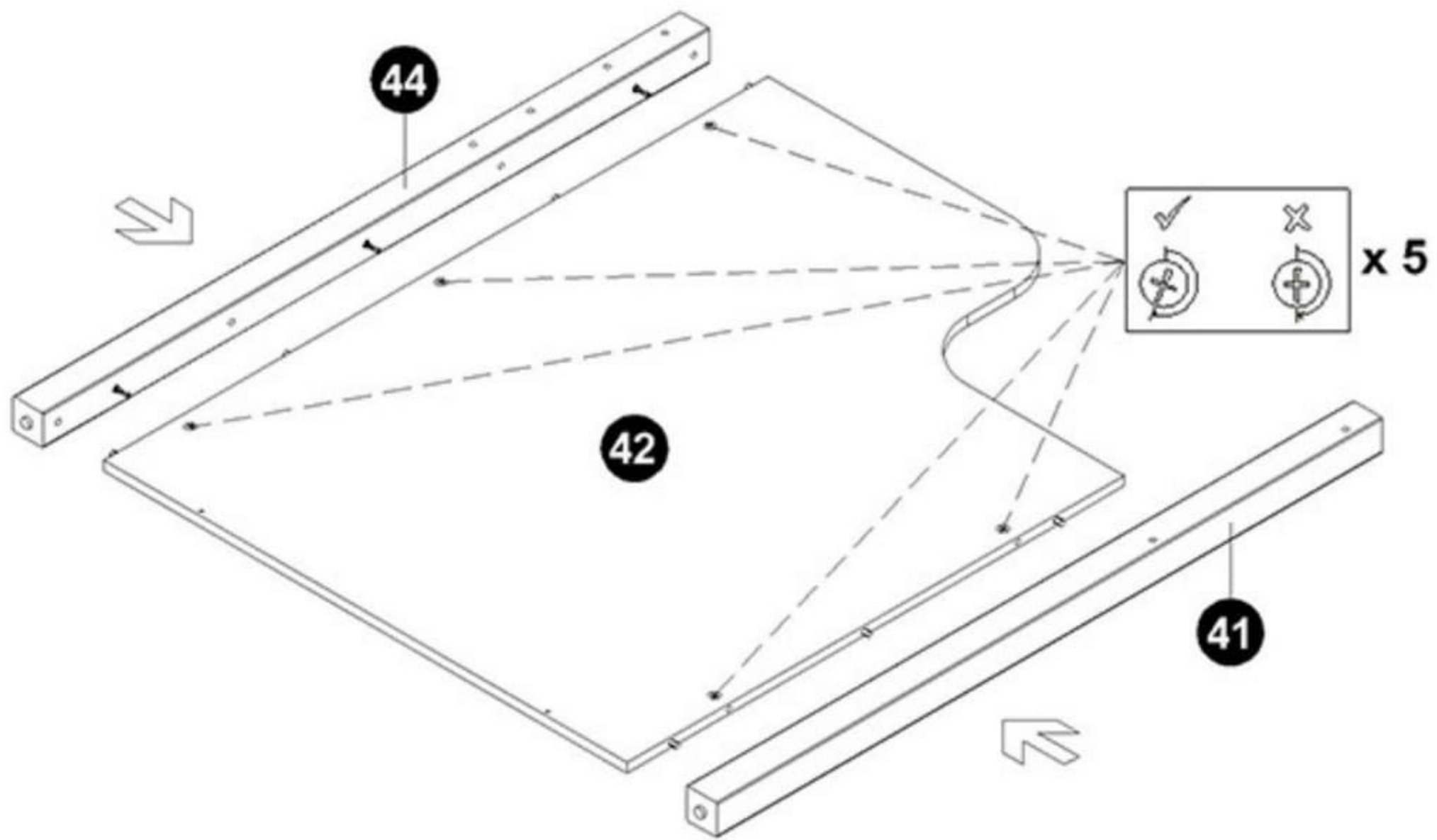
A x 6

B x 2

D x 4



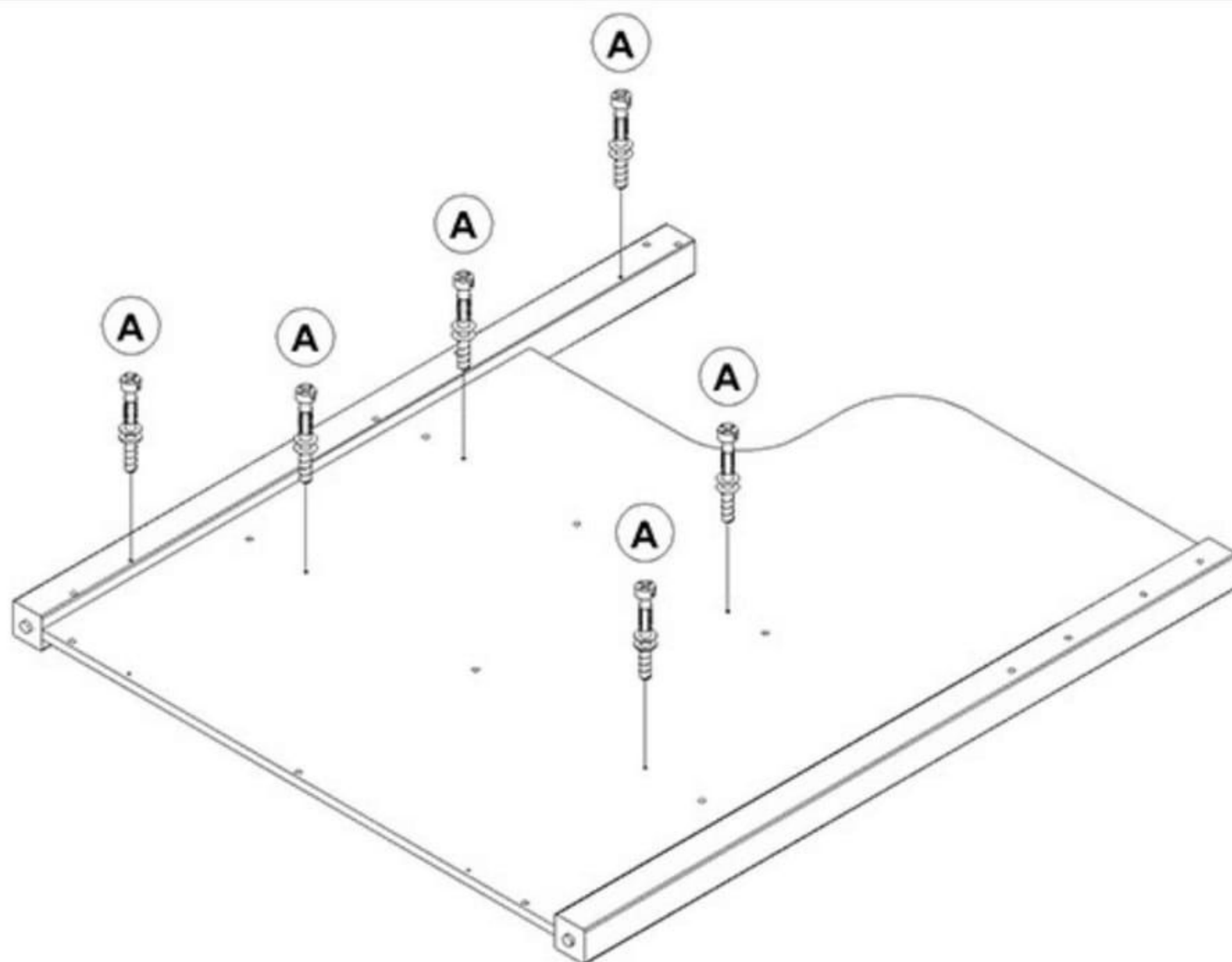
11



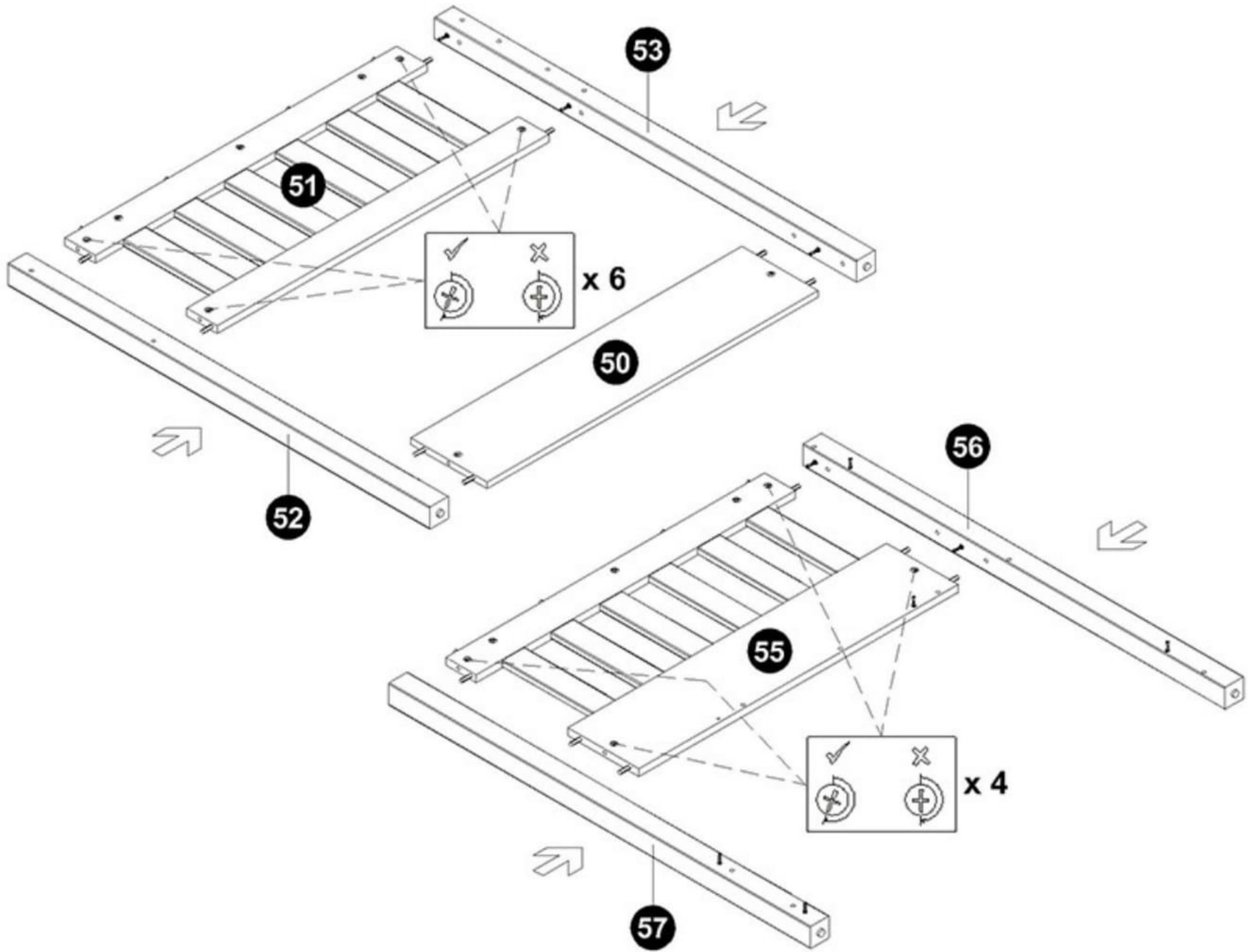
12



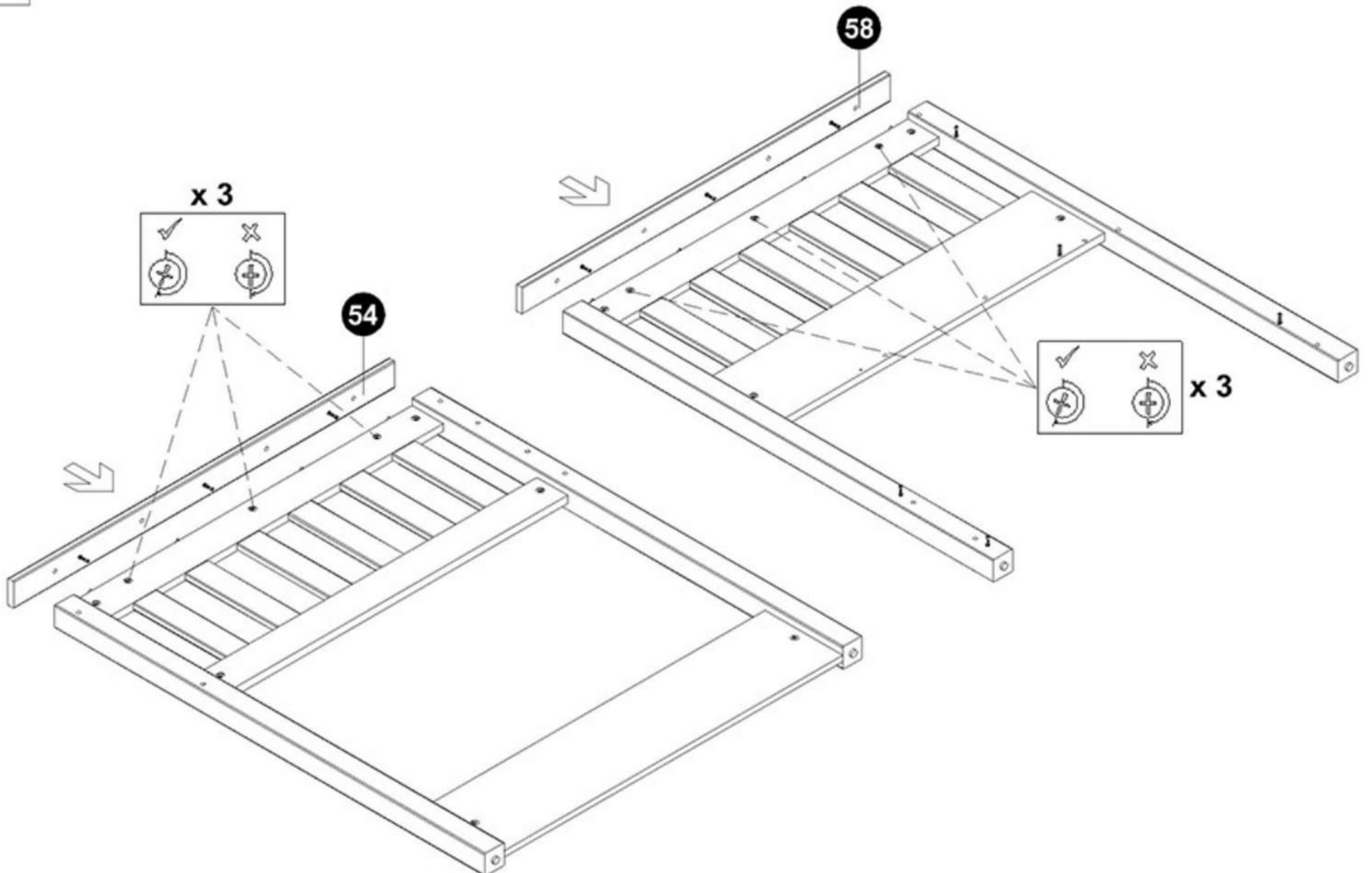
A x 6



13



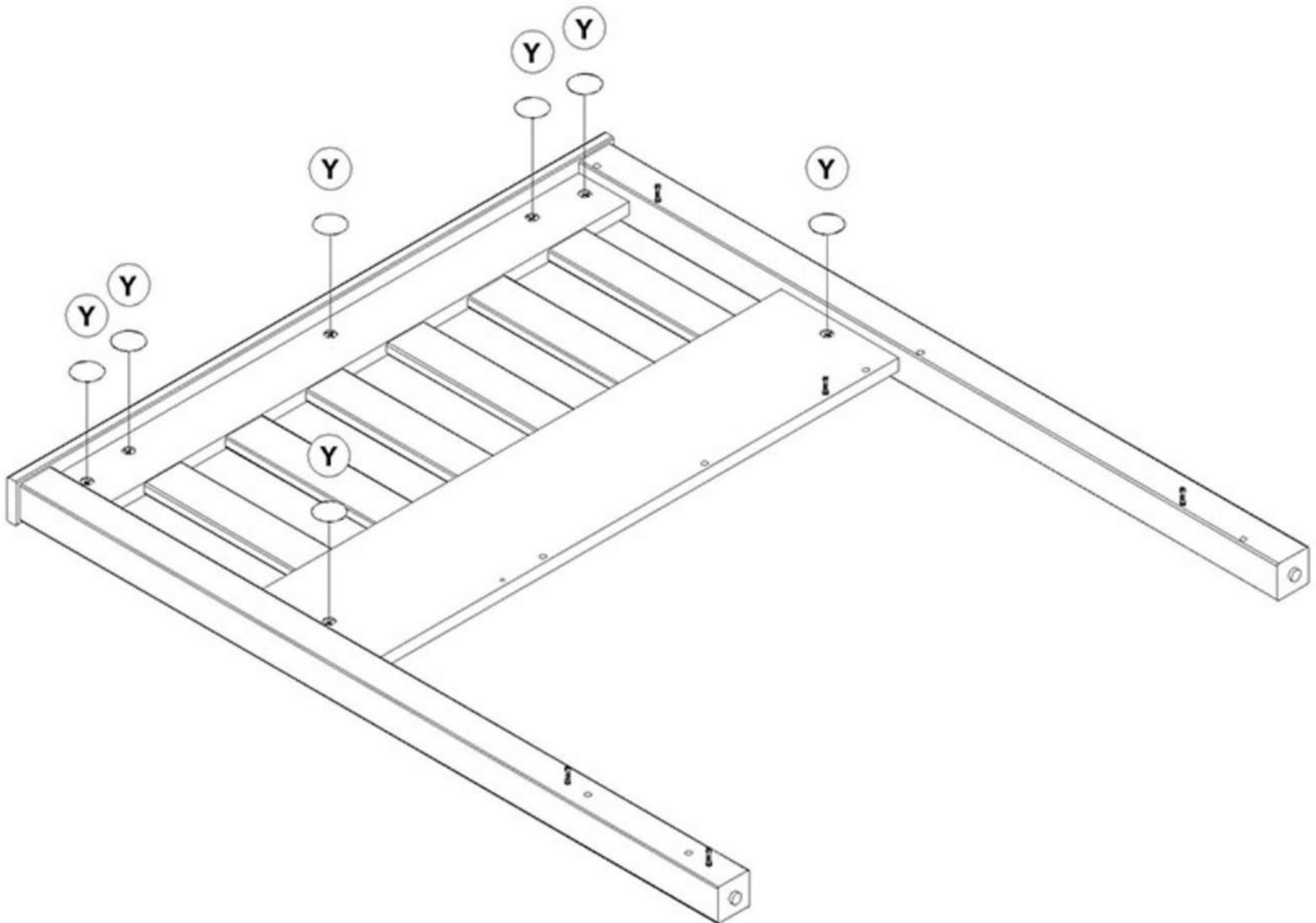
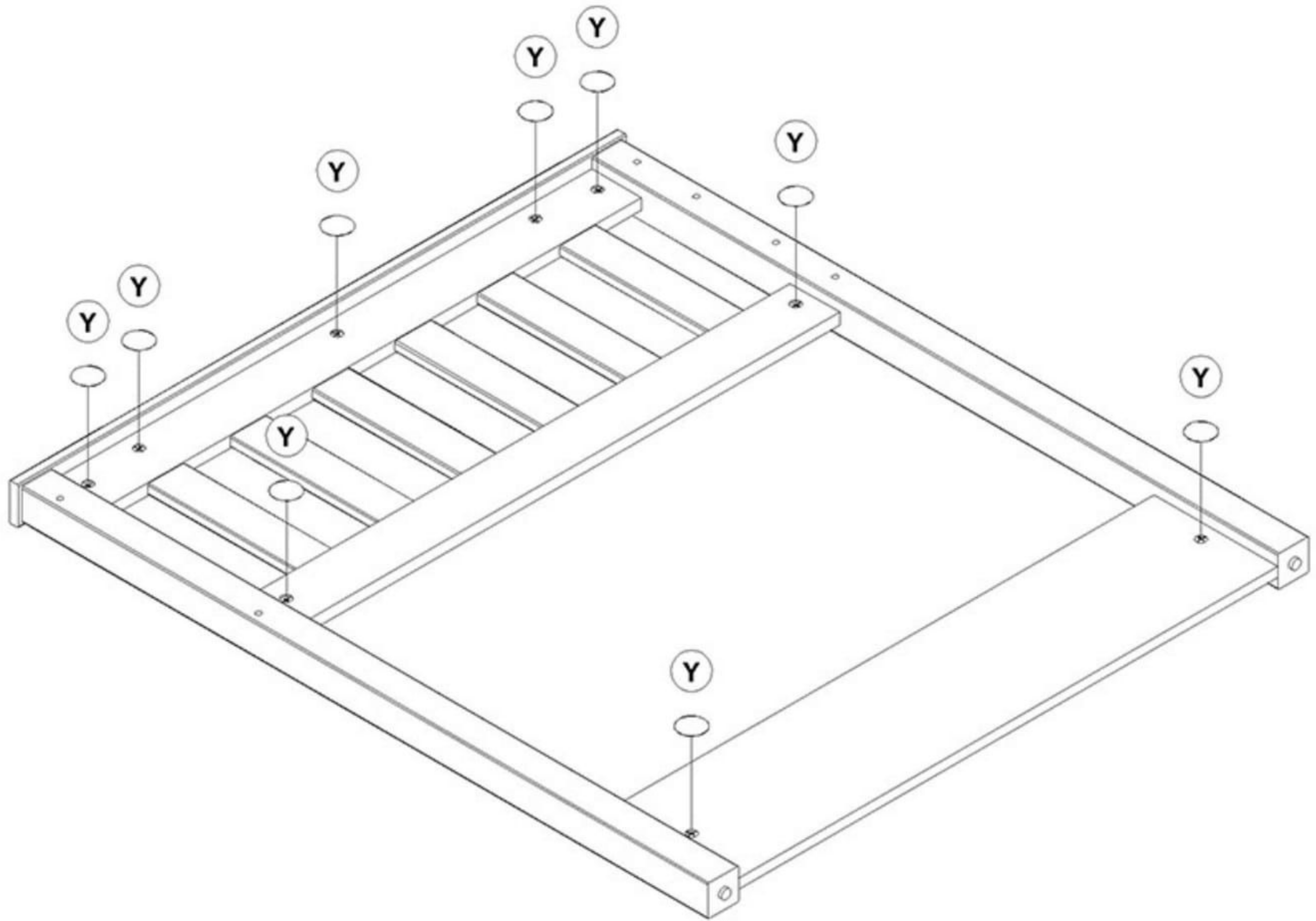
14



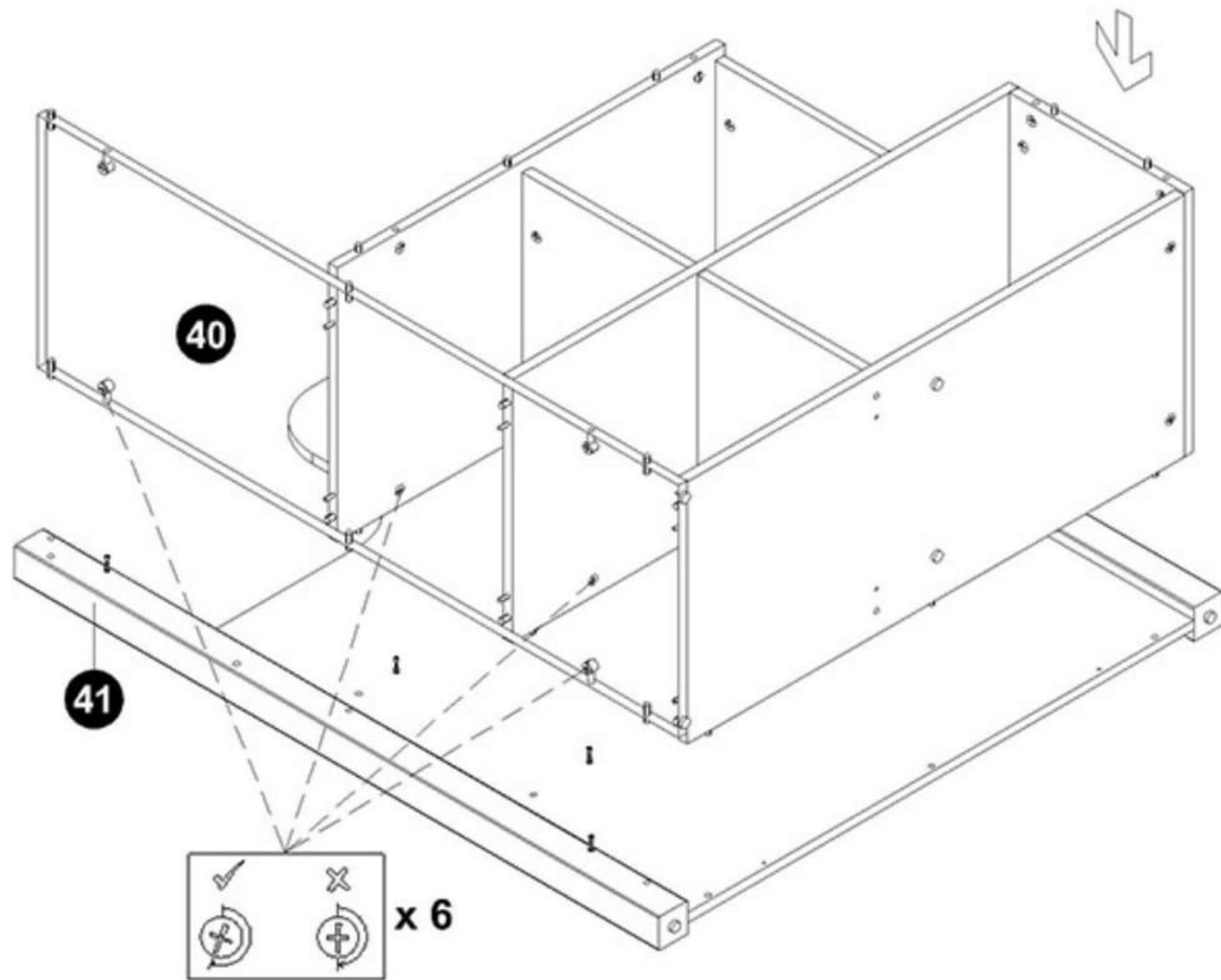
15



Y x 16



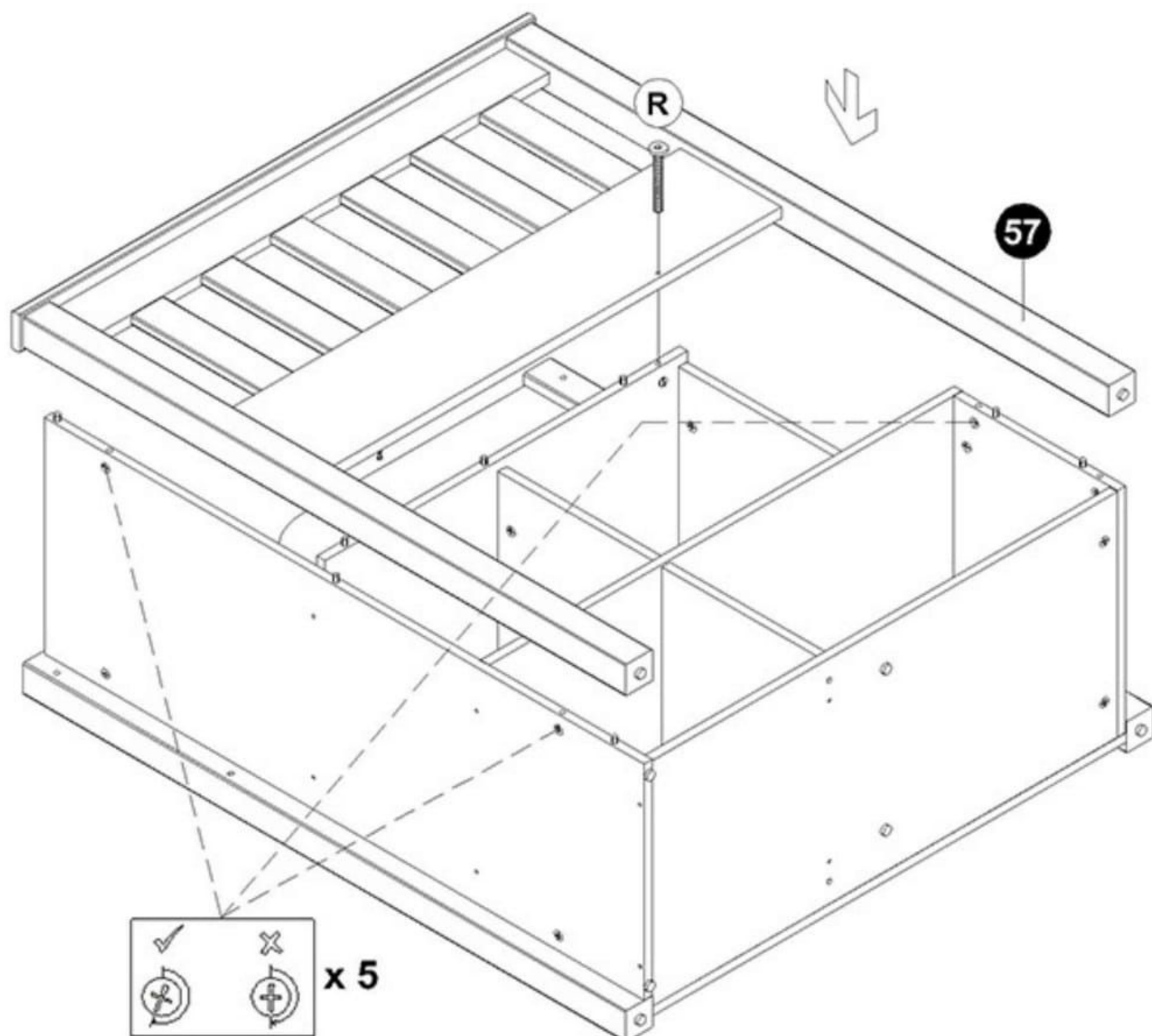
16





17

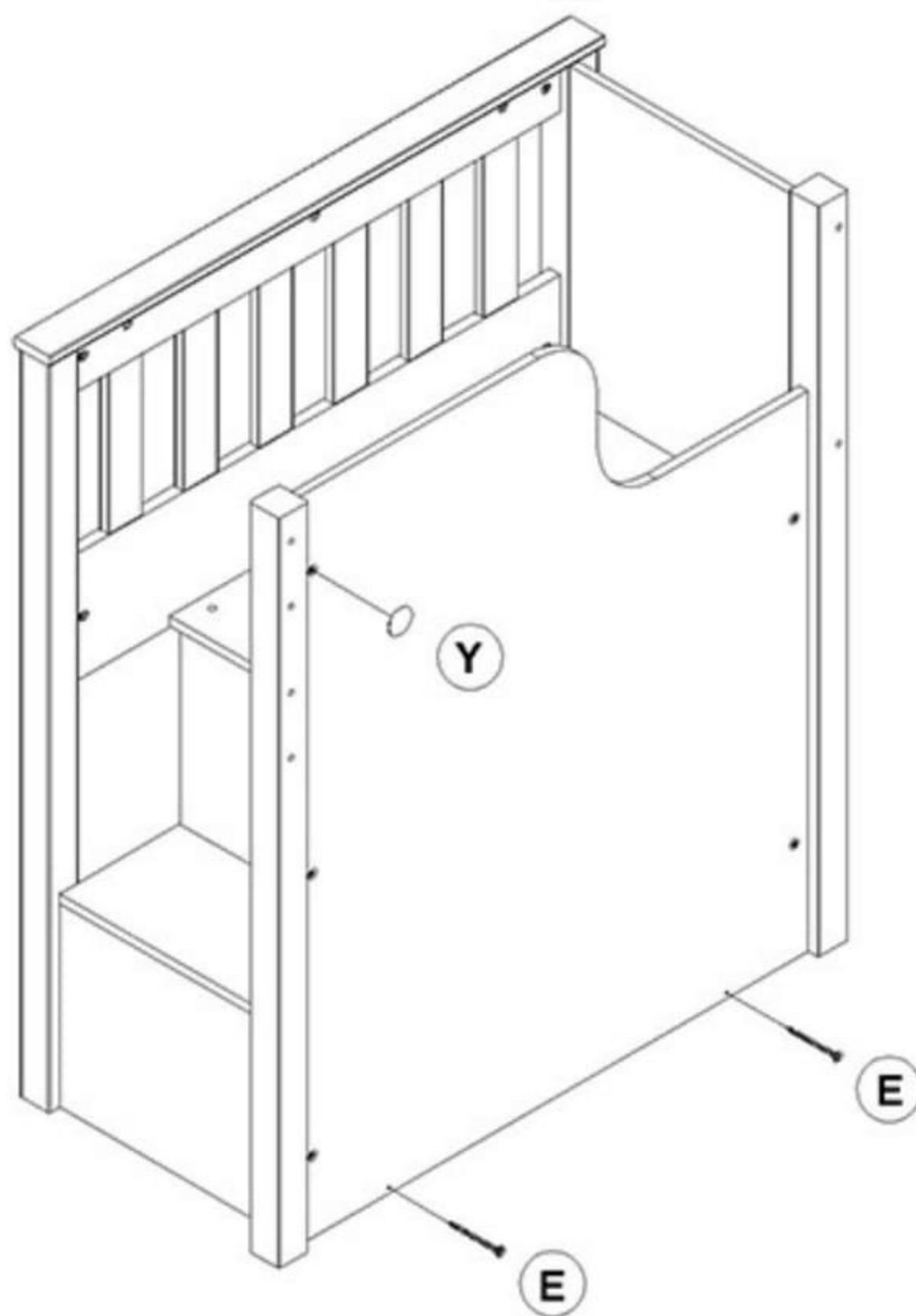







R x 1

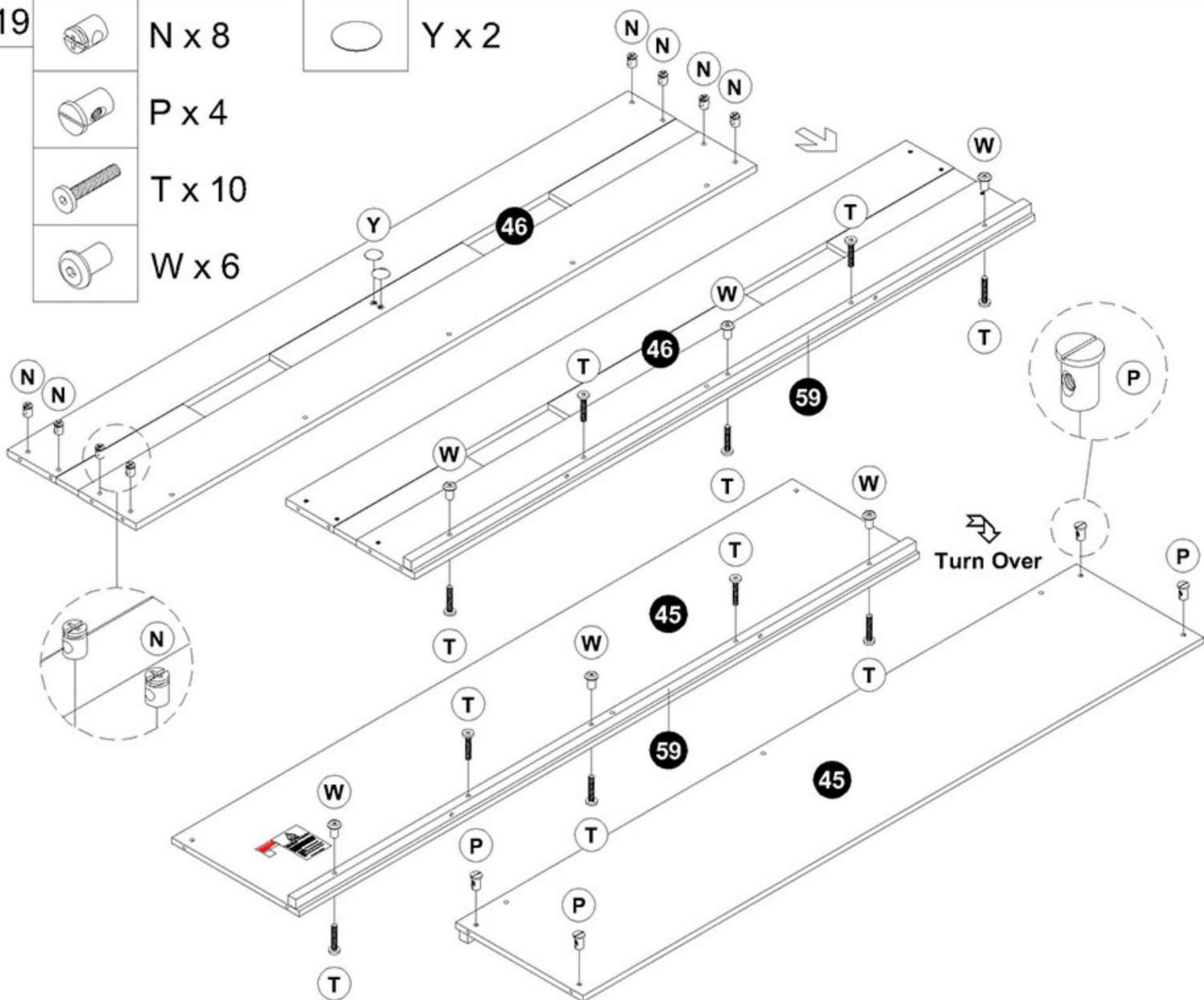


Guide To Assembly

- 18
-  E x 2
 -  Y x 1



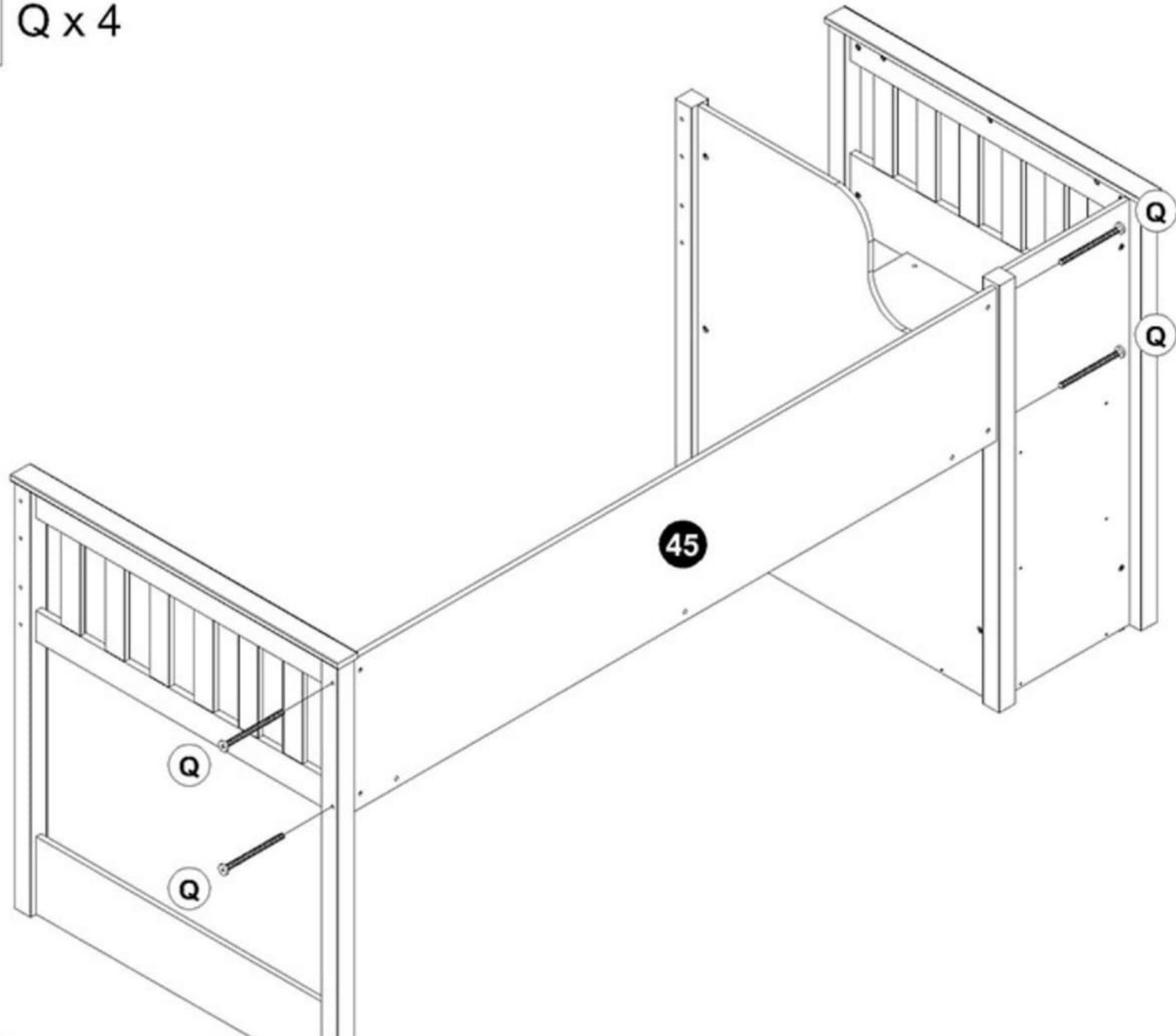
- 19
-  N x 8
 -  P x 4
 -  T x 10
 -  W x 6
 -  Y x 2



20



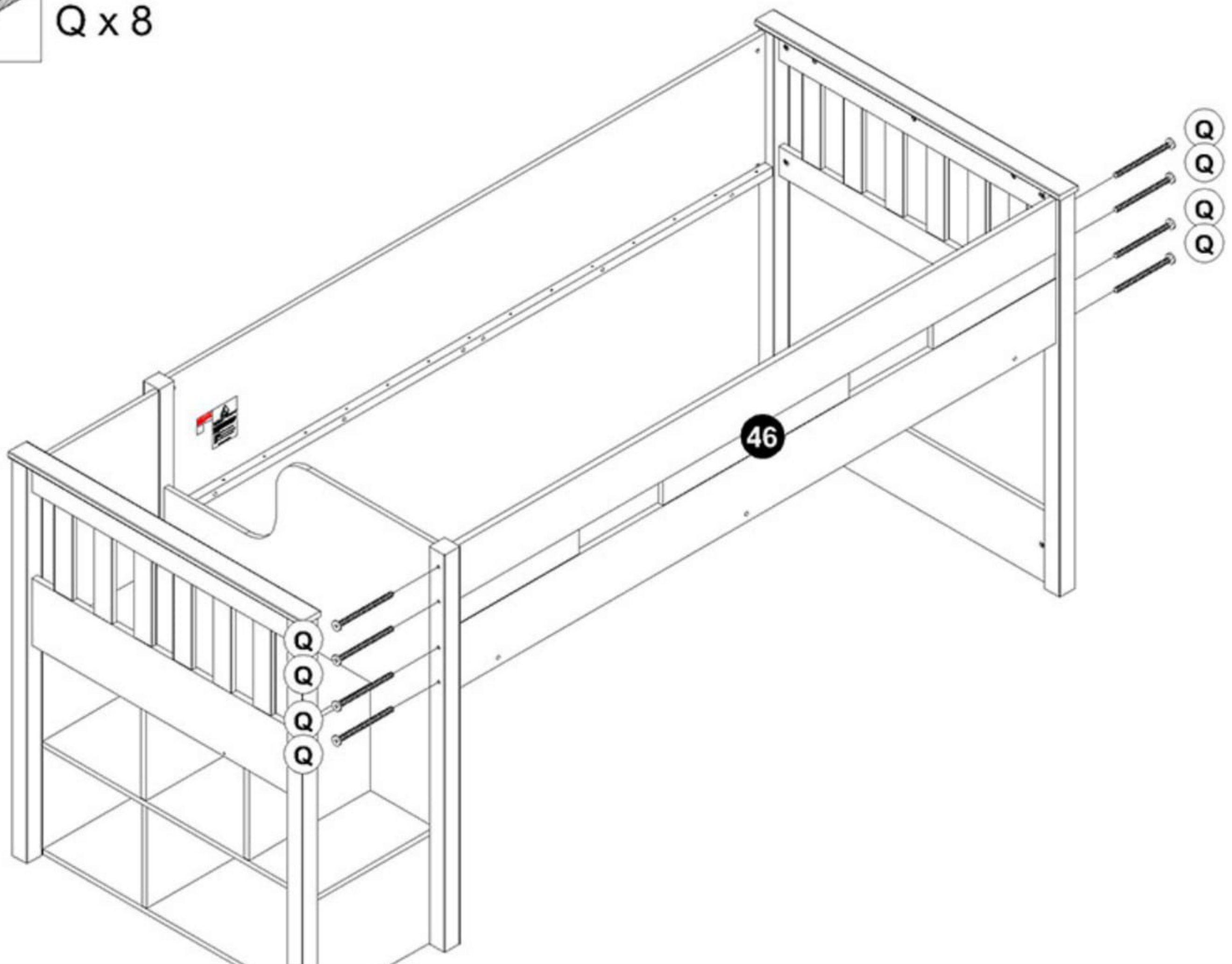
Q x 4



21



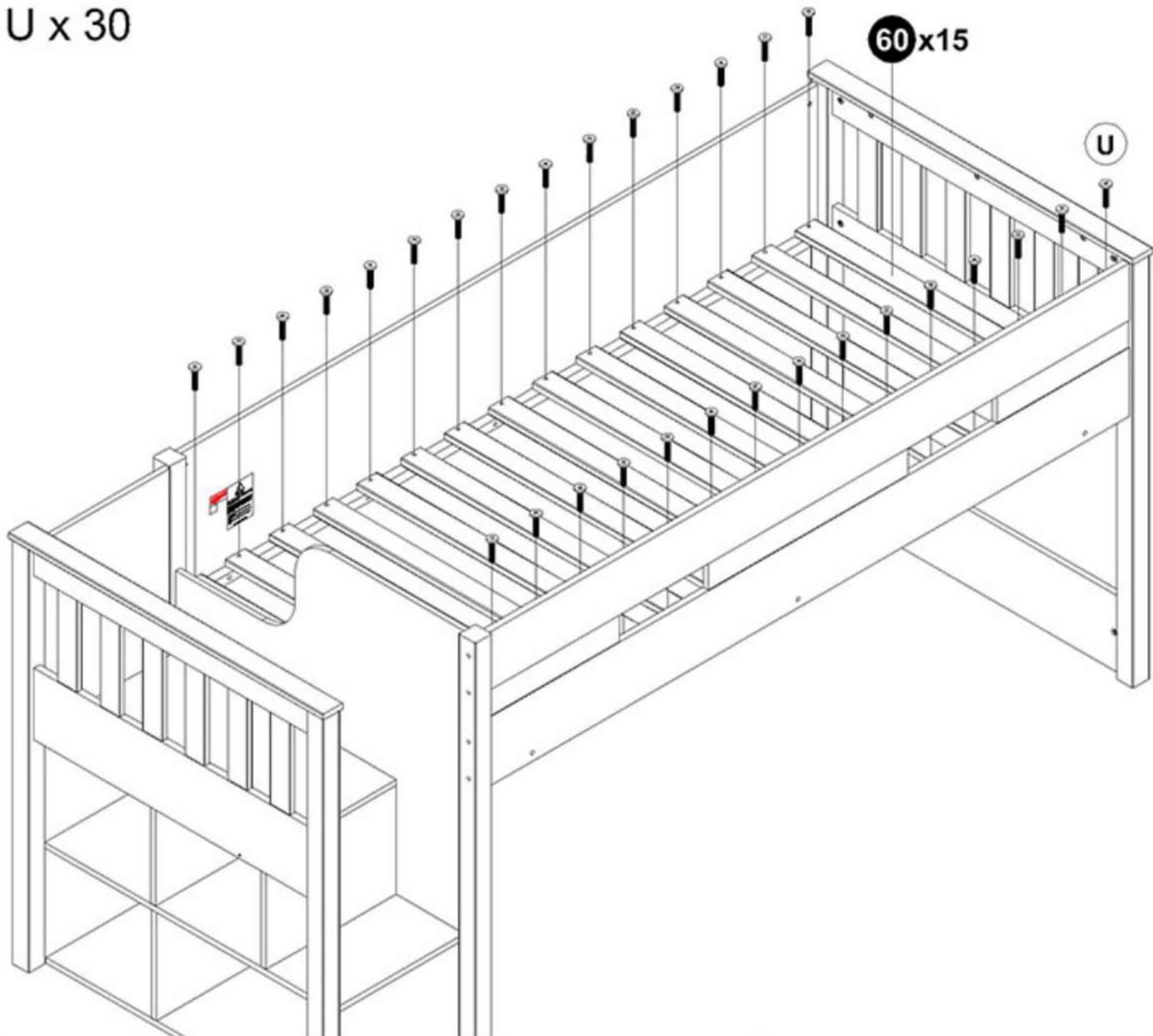
Q x 8



22



U x 30



23



A x 6



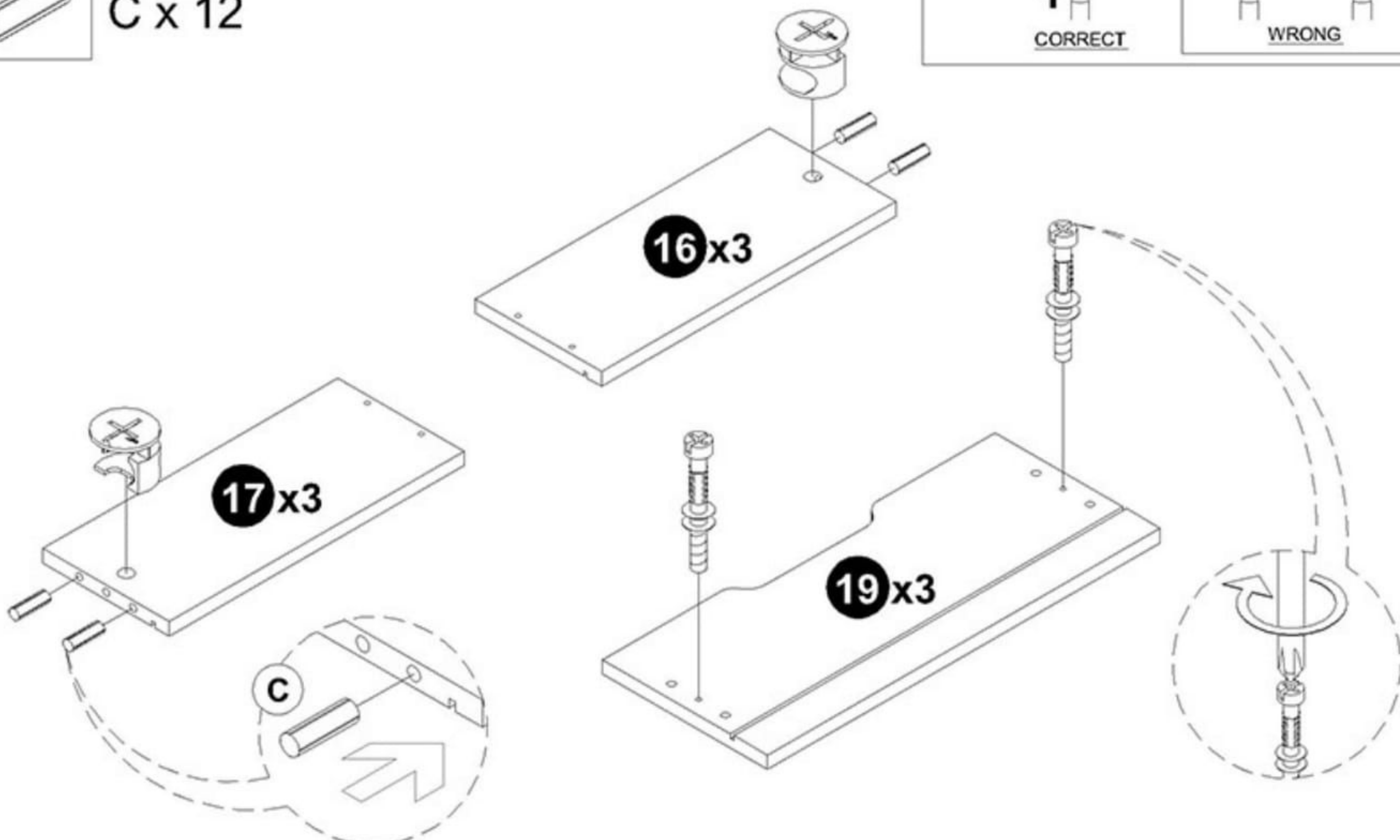
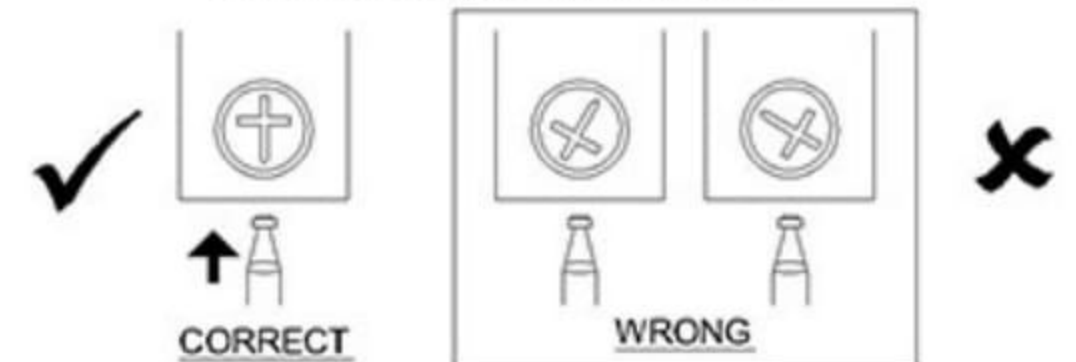
B x 6



C x 12

WHEN FITTING CAMS

ENSURE STARTING POSITION IS CORRECT
BEFORE YOU INSERT CONNECTING BOLT
TURN CLOCKWISE UNTIL SECURE

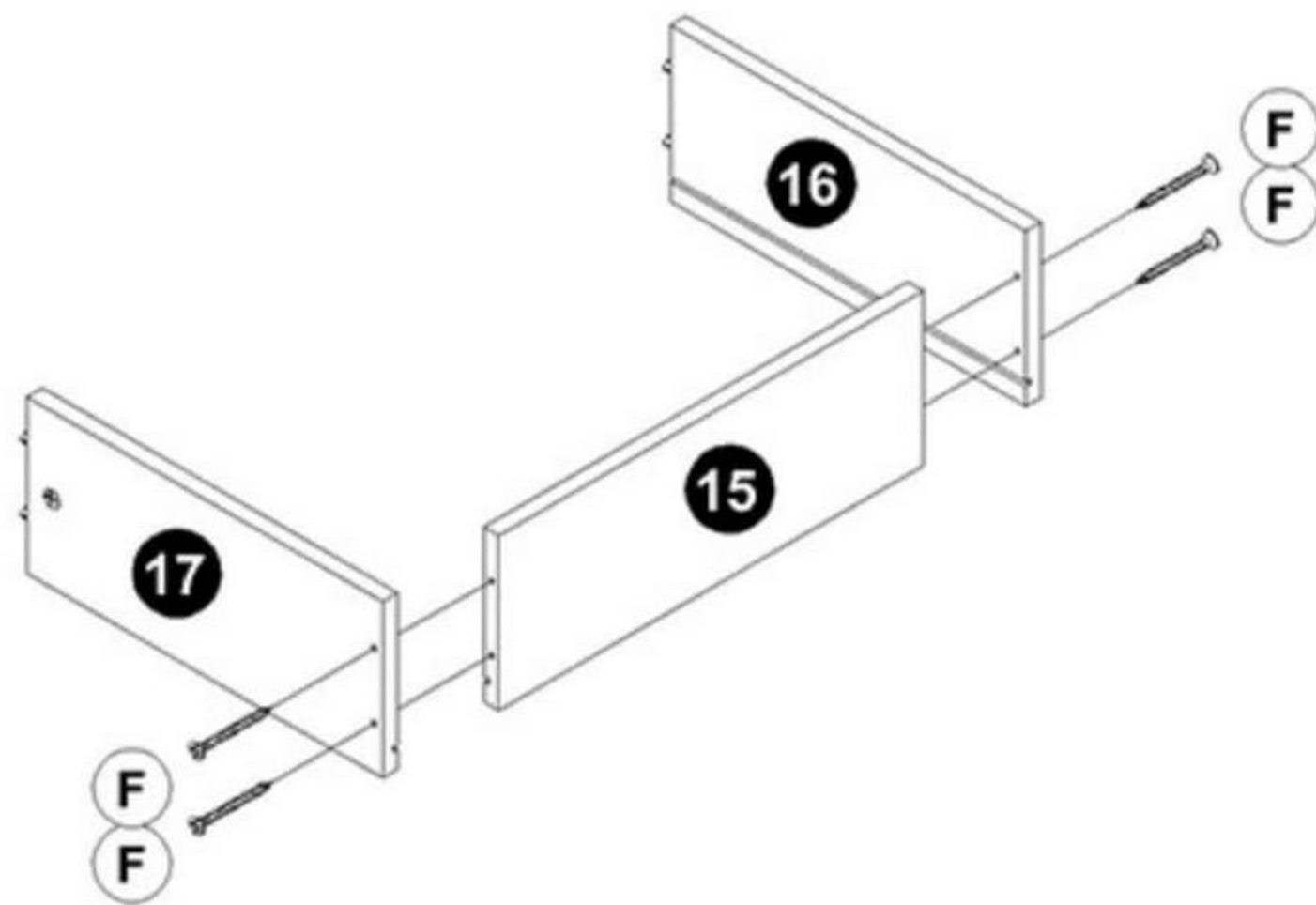


Guide To Assembly

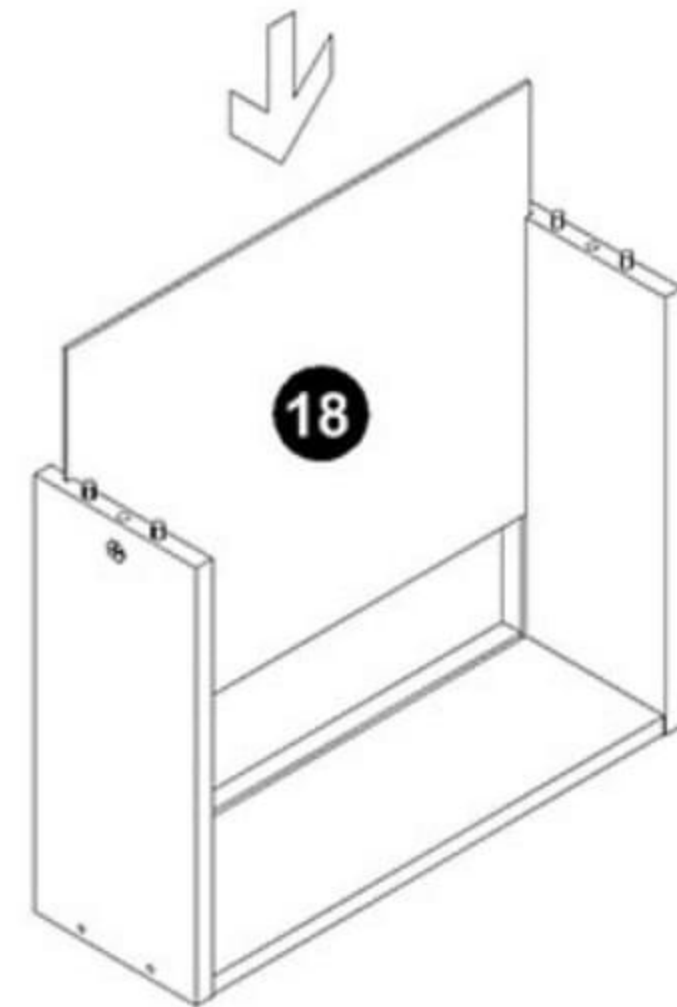
24



F x 12



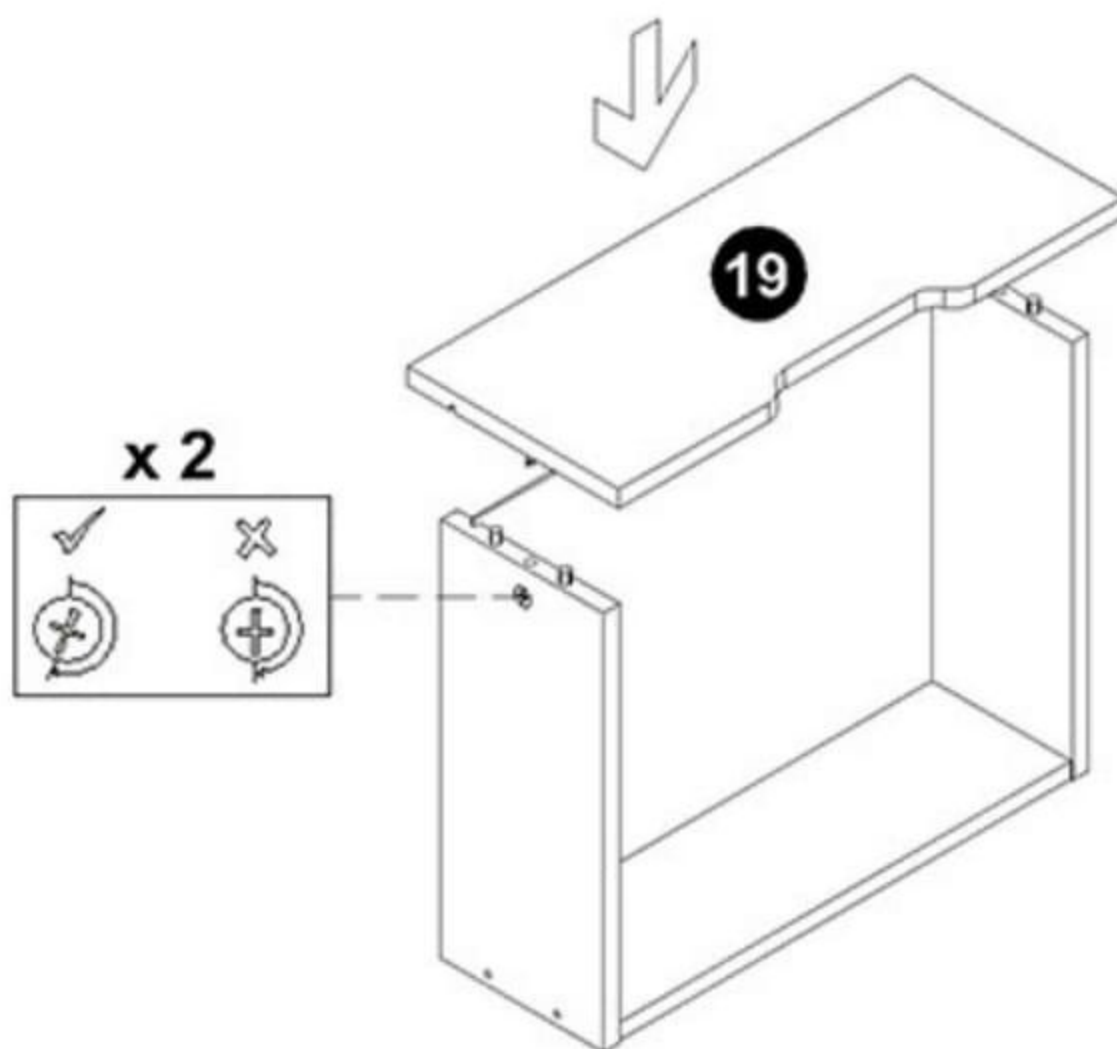
25



Do This Step 3 Times

Do This Step 3 Times

26



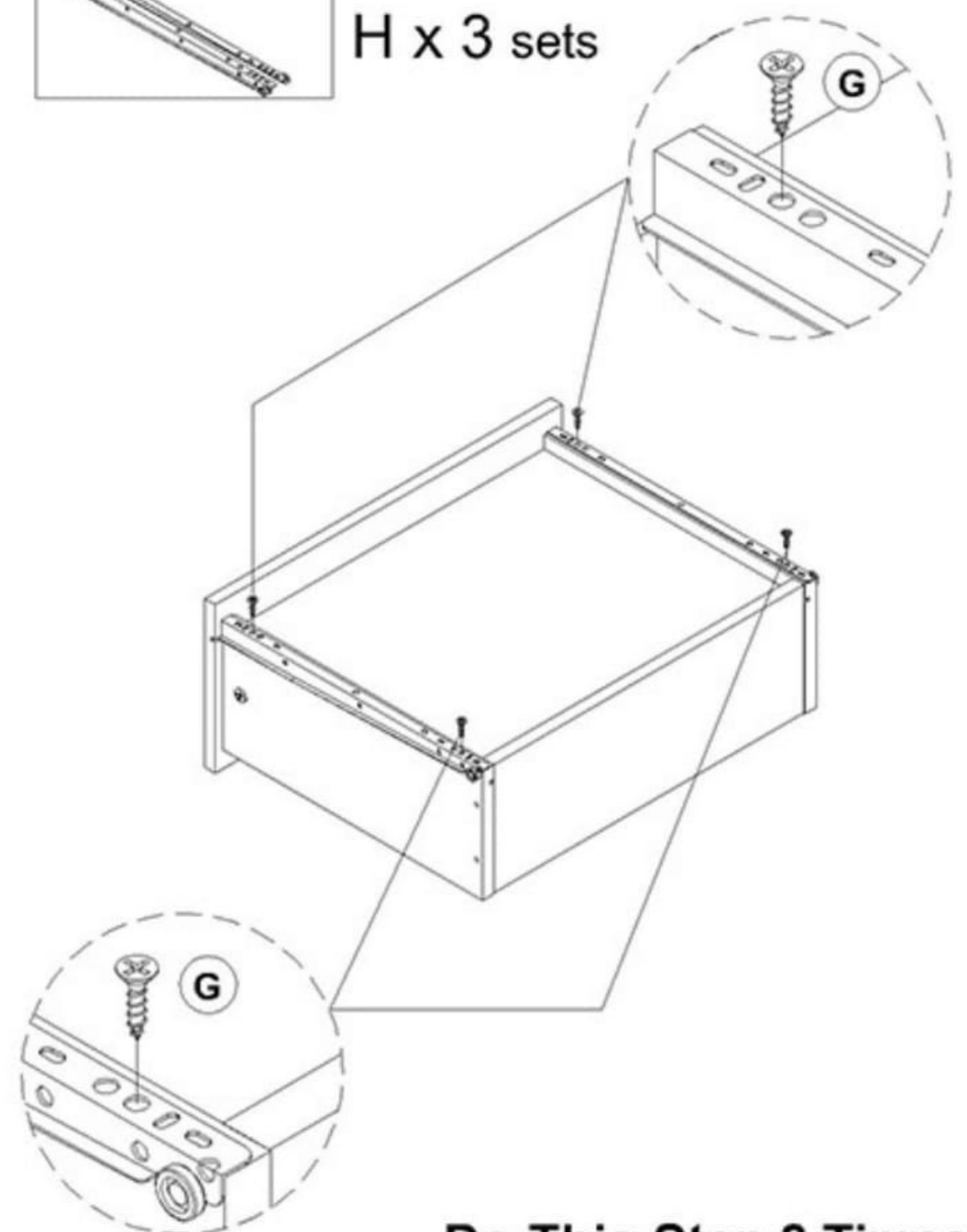
27



G x 12



H x 3 sets



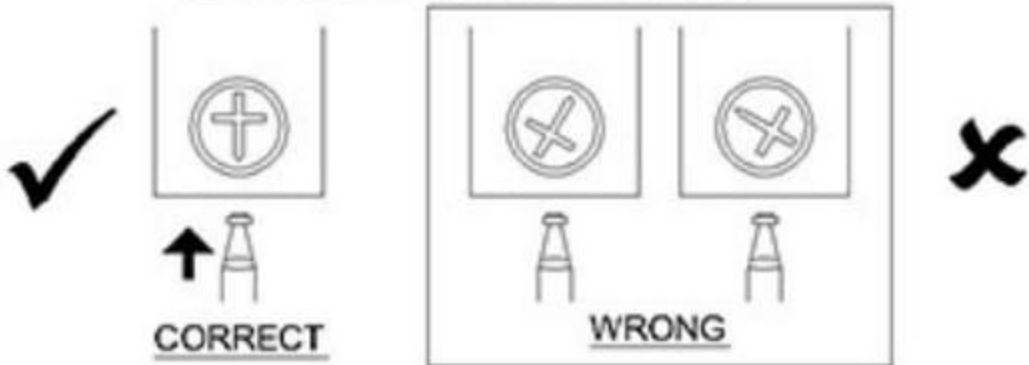
Do This Step 3 Times

Do This Step 3 Times

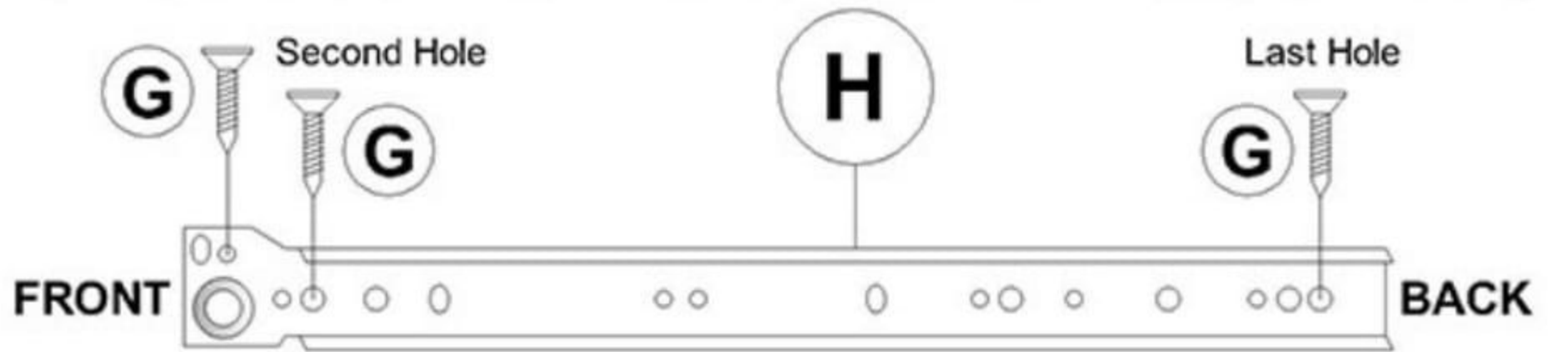
Guide To Assembly

WHEN FITTING CAMS

ENSURE STARTING POSITION IS CORRECT BEFORE YOU INSERT CONNECTING BOLT TURN CLOCKWISE UNTIL SECURE



To Assembly the Drawer Slide, Please Follow Step as Below



28



A x 10



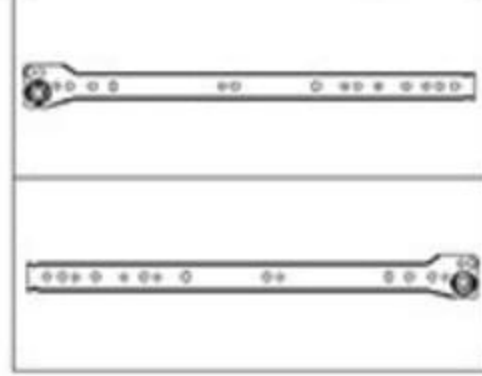
B x 28



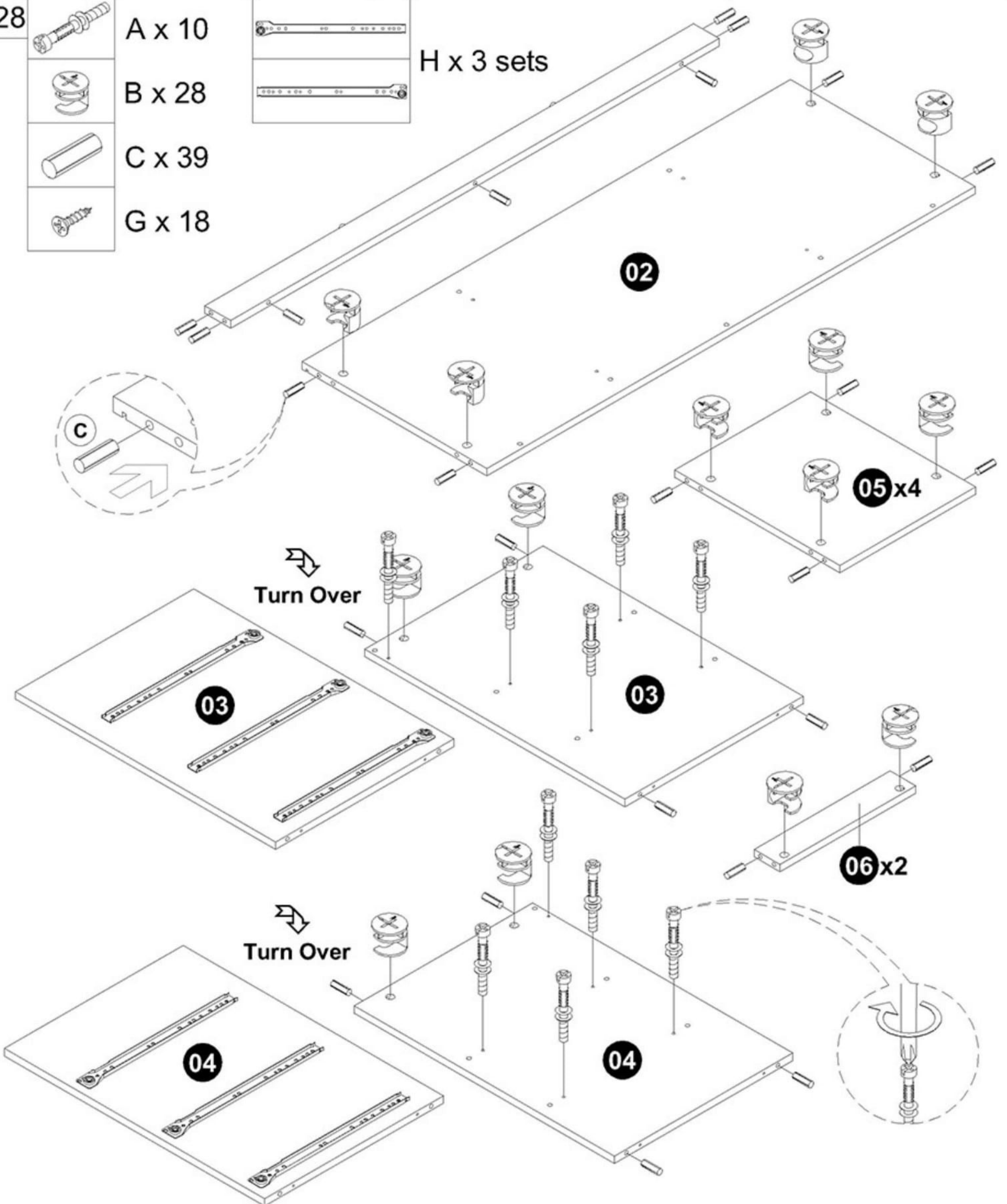
C x 39



G x 18

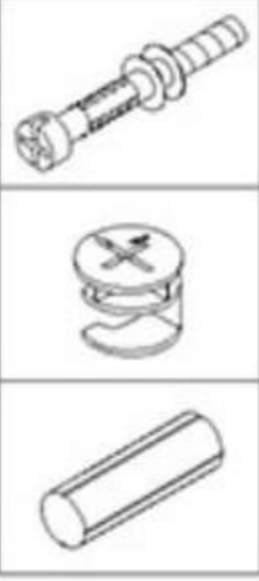


H x 3 sets



Guide To Assembly

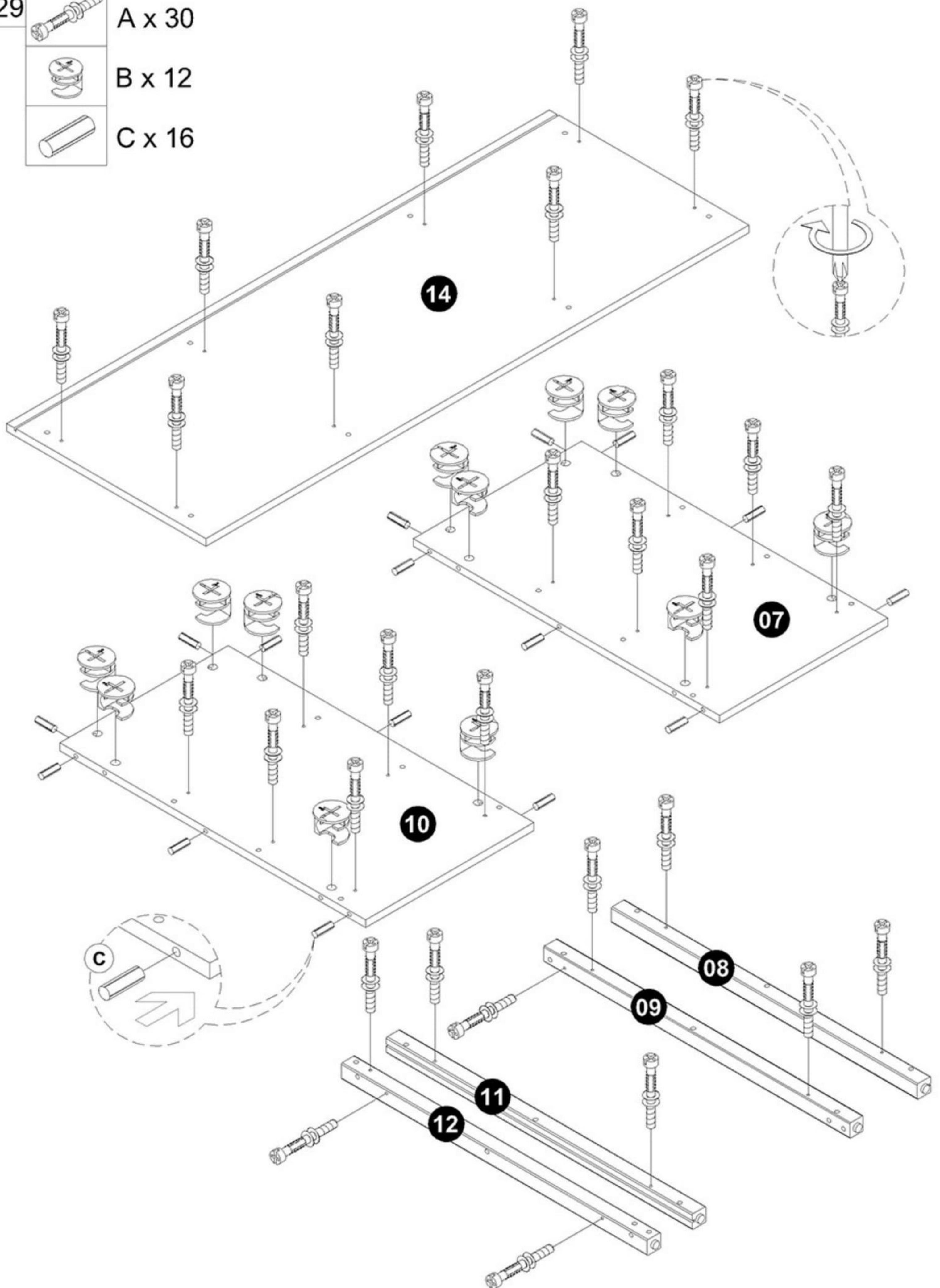
29



A x 30

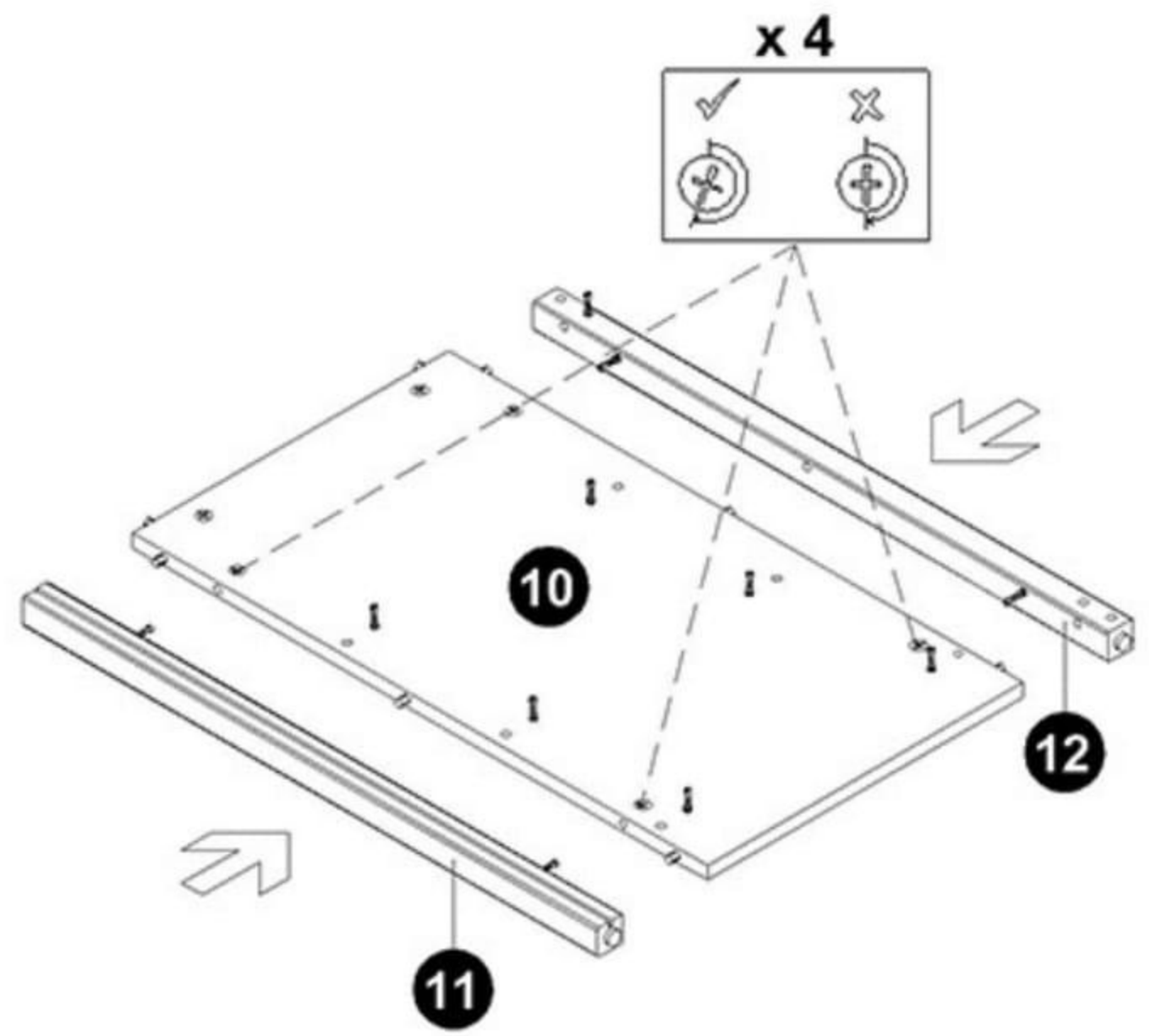
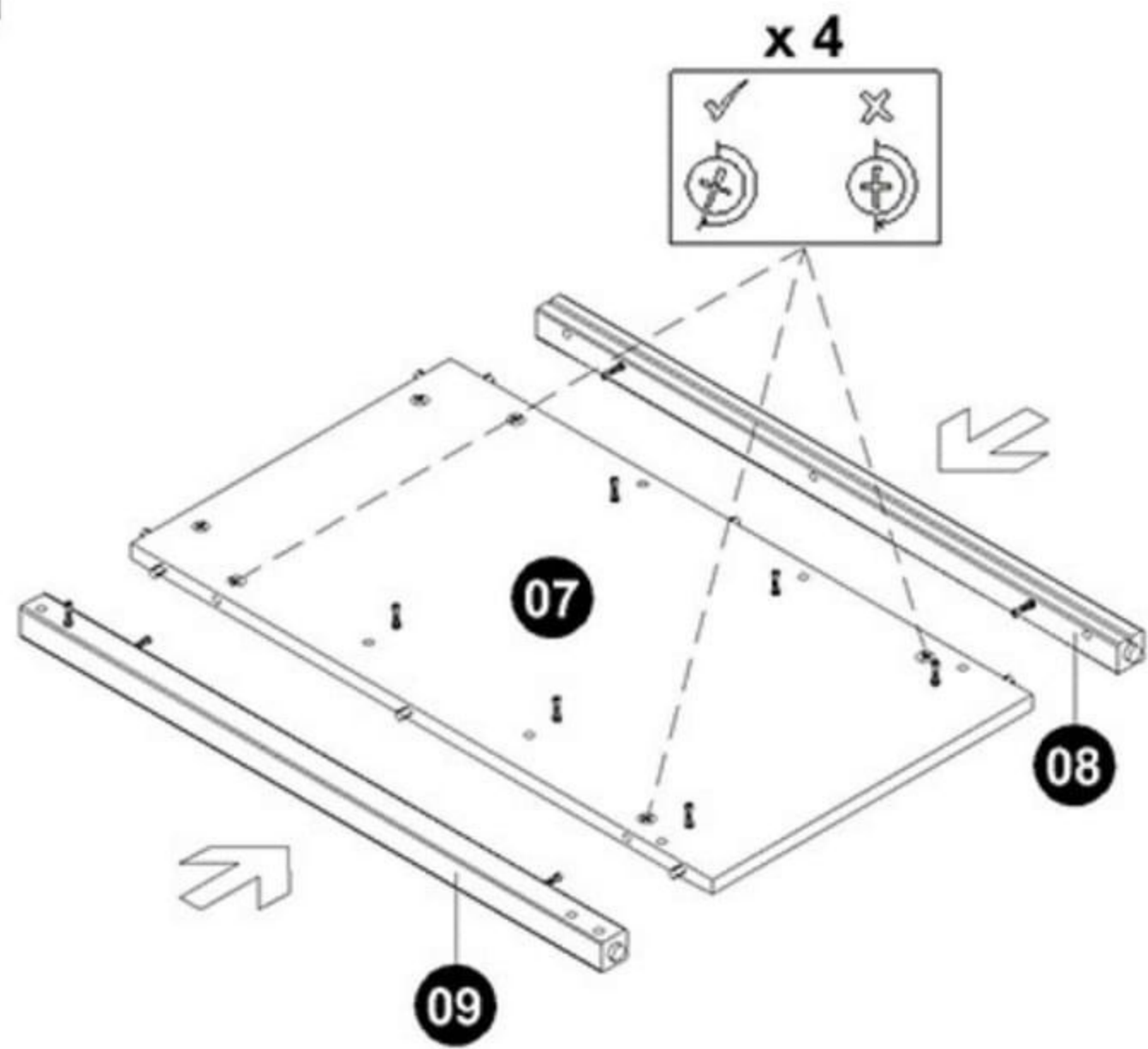
B x 12

C x 16



Guide To Assembly

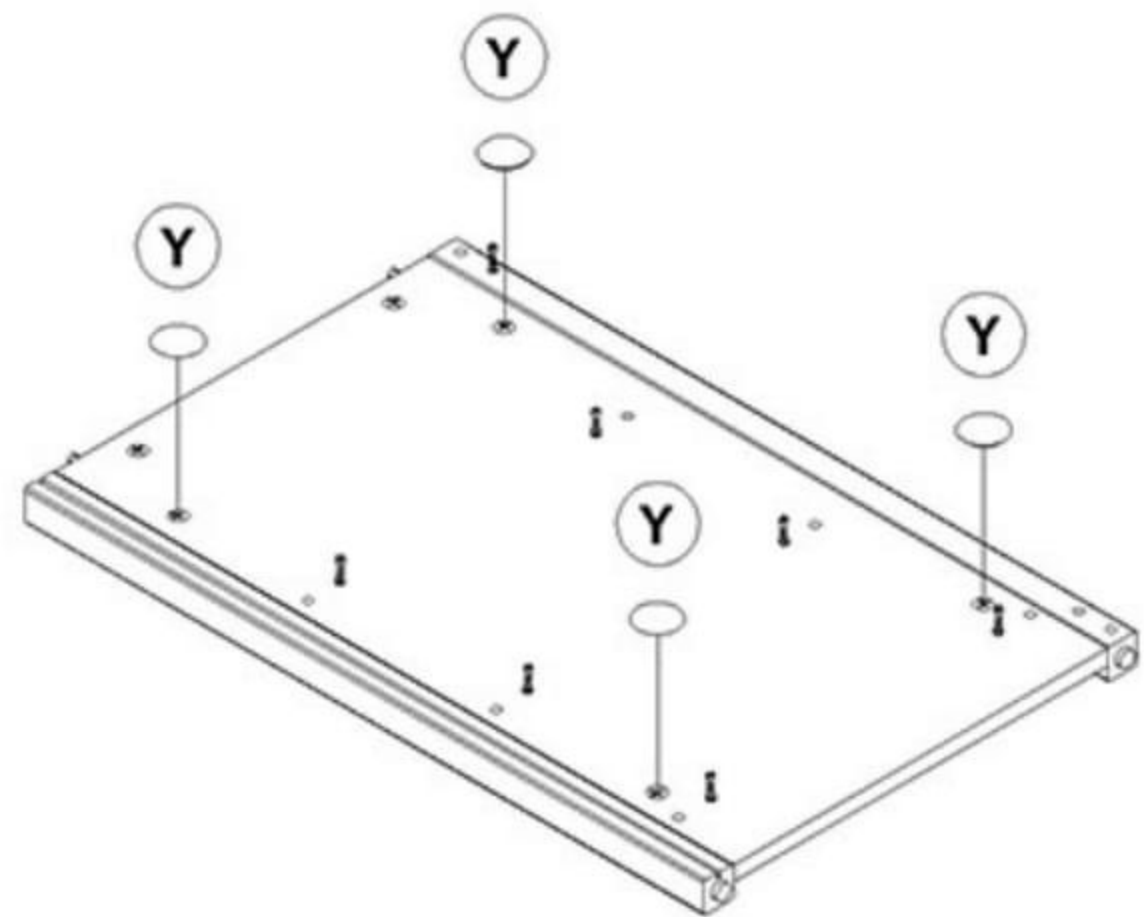
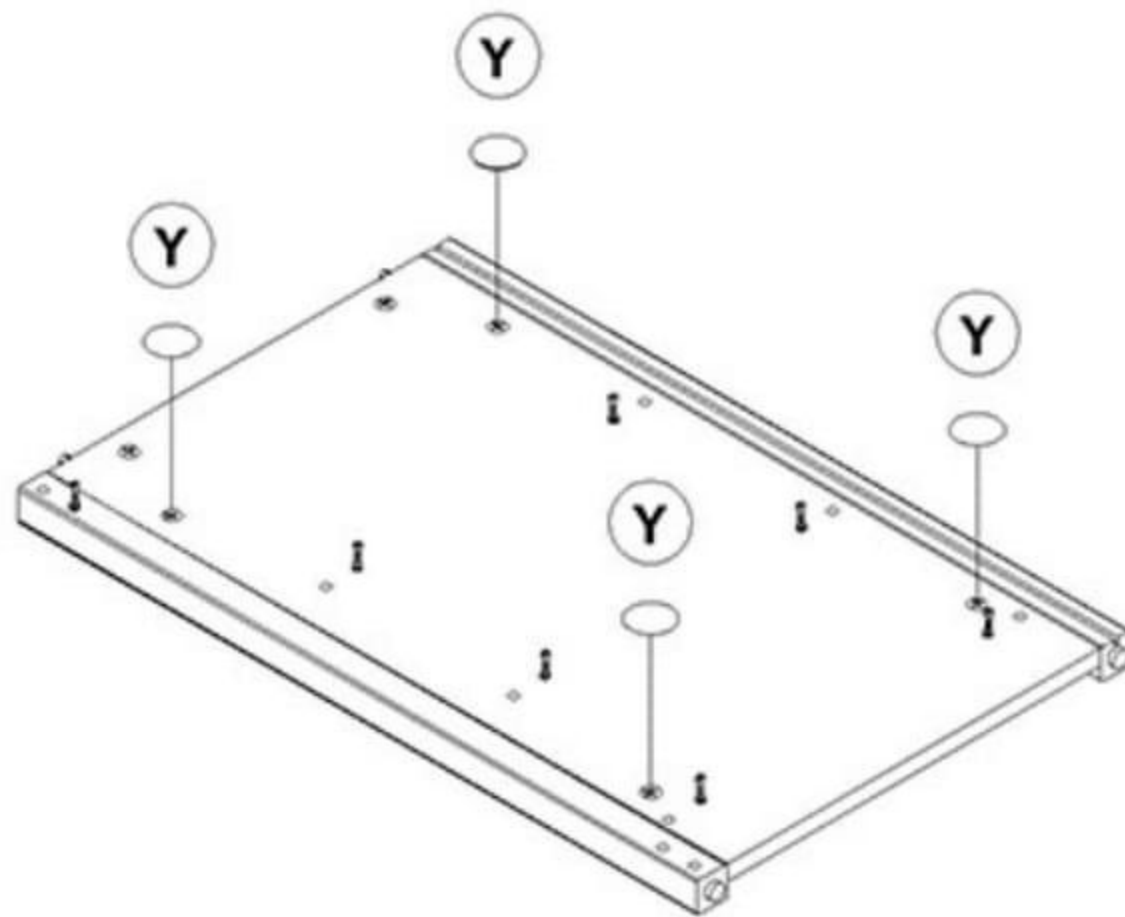
30



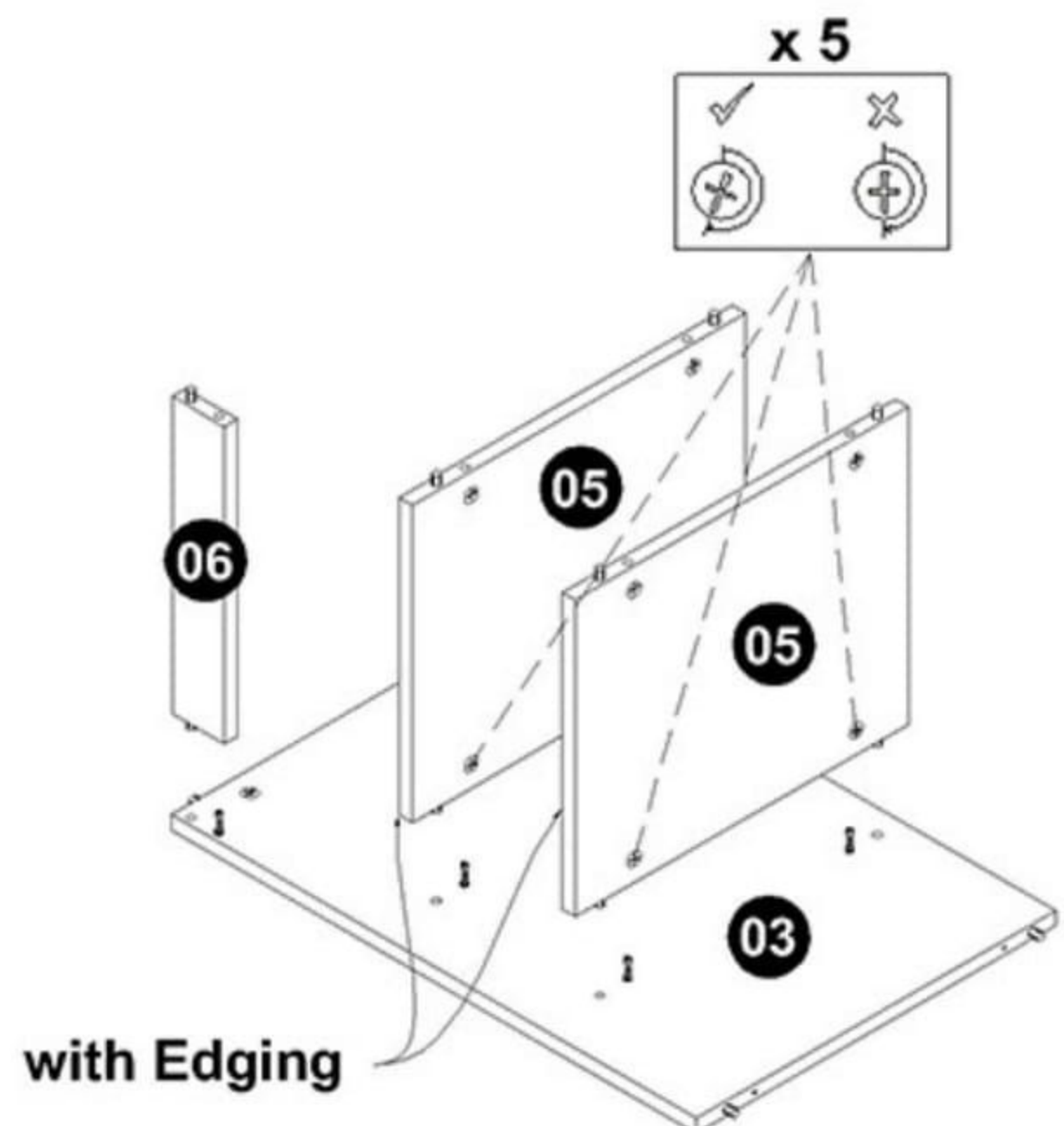
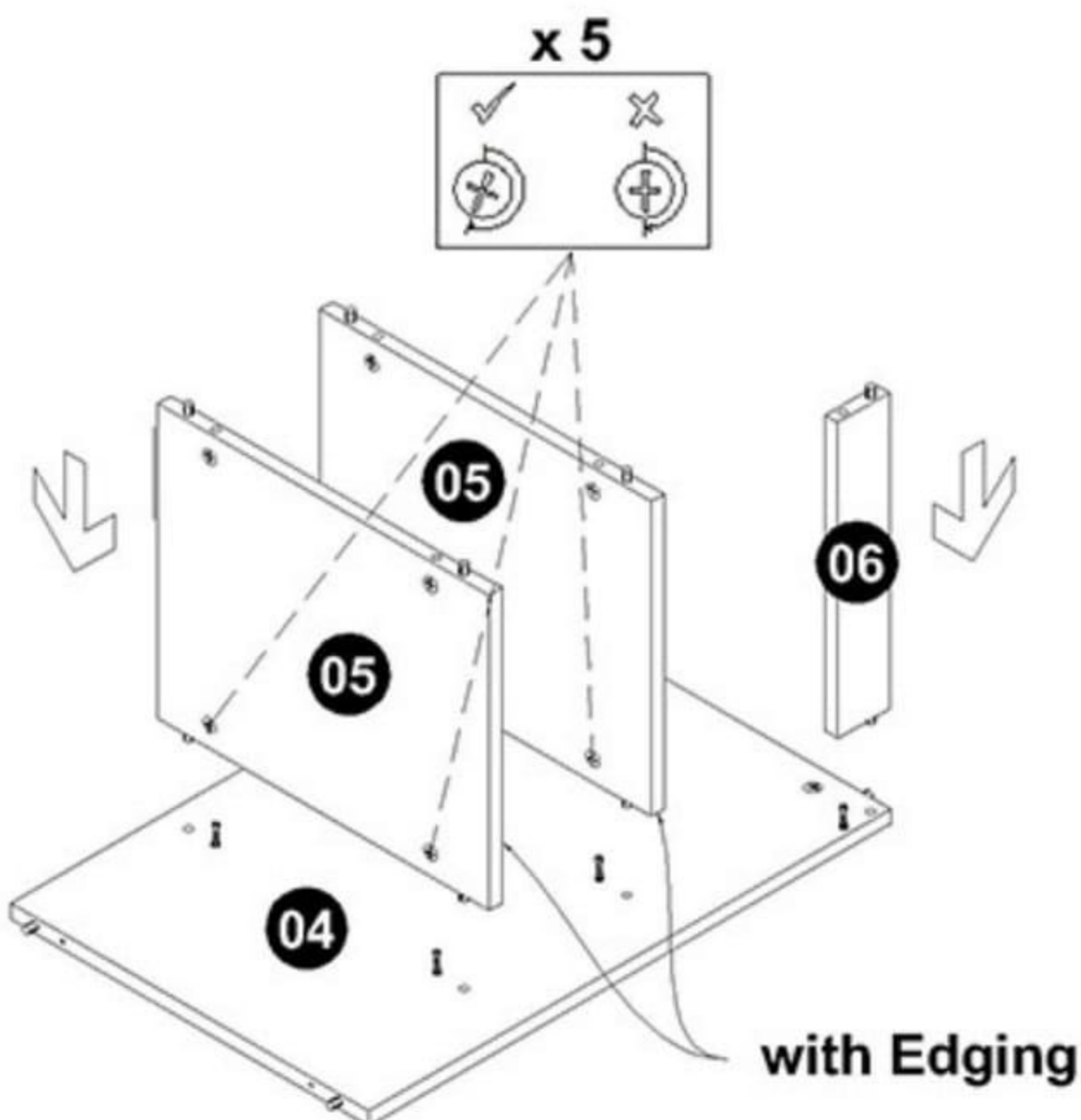
31



Y x 8



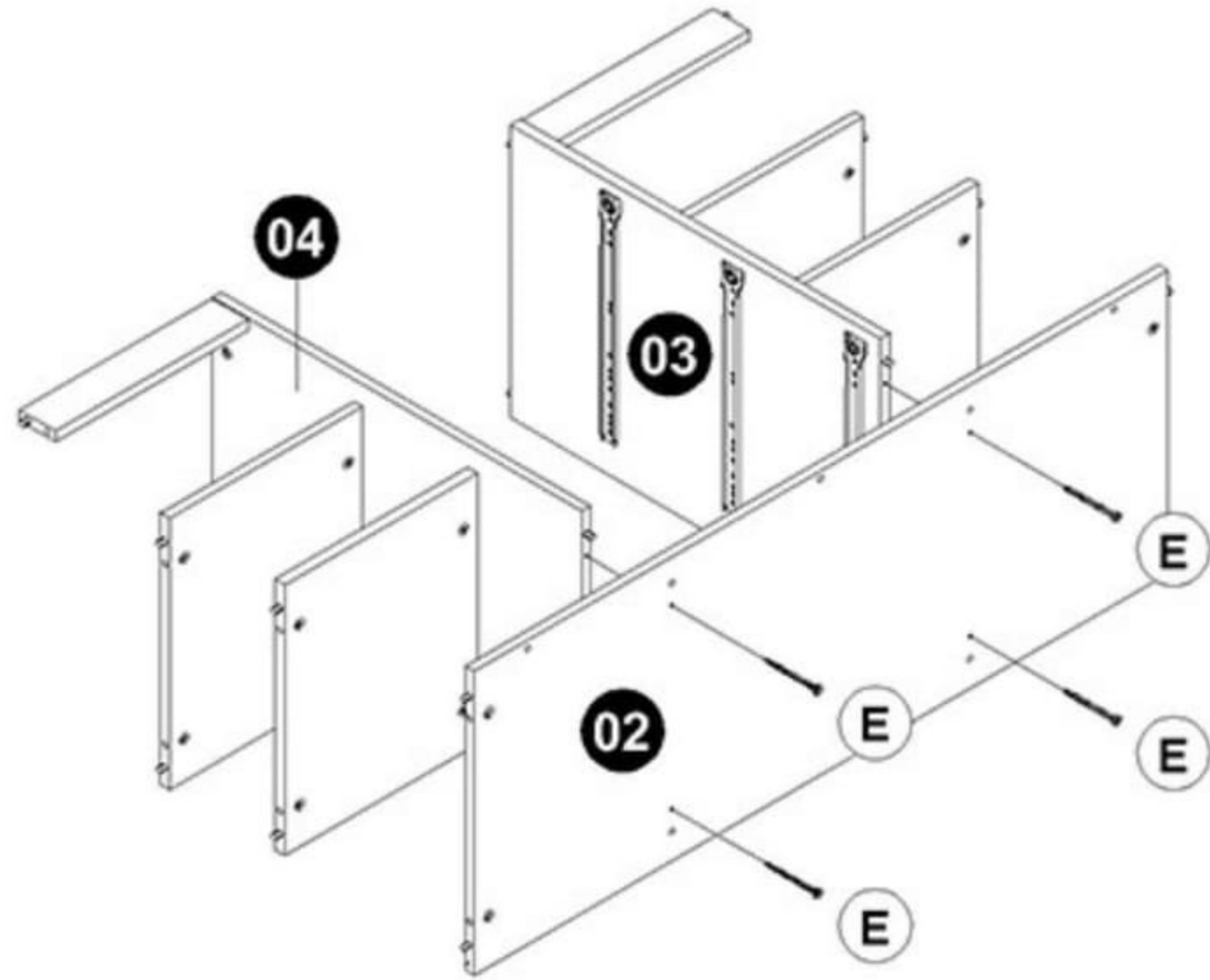
32



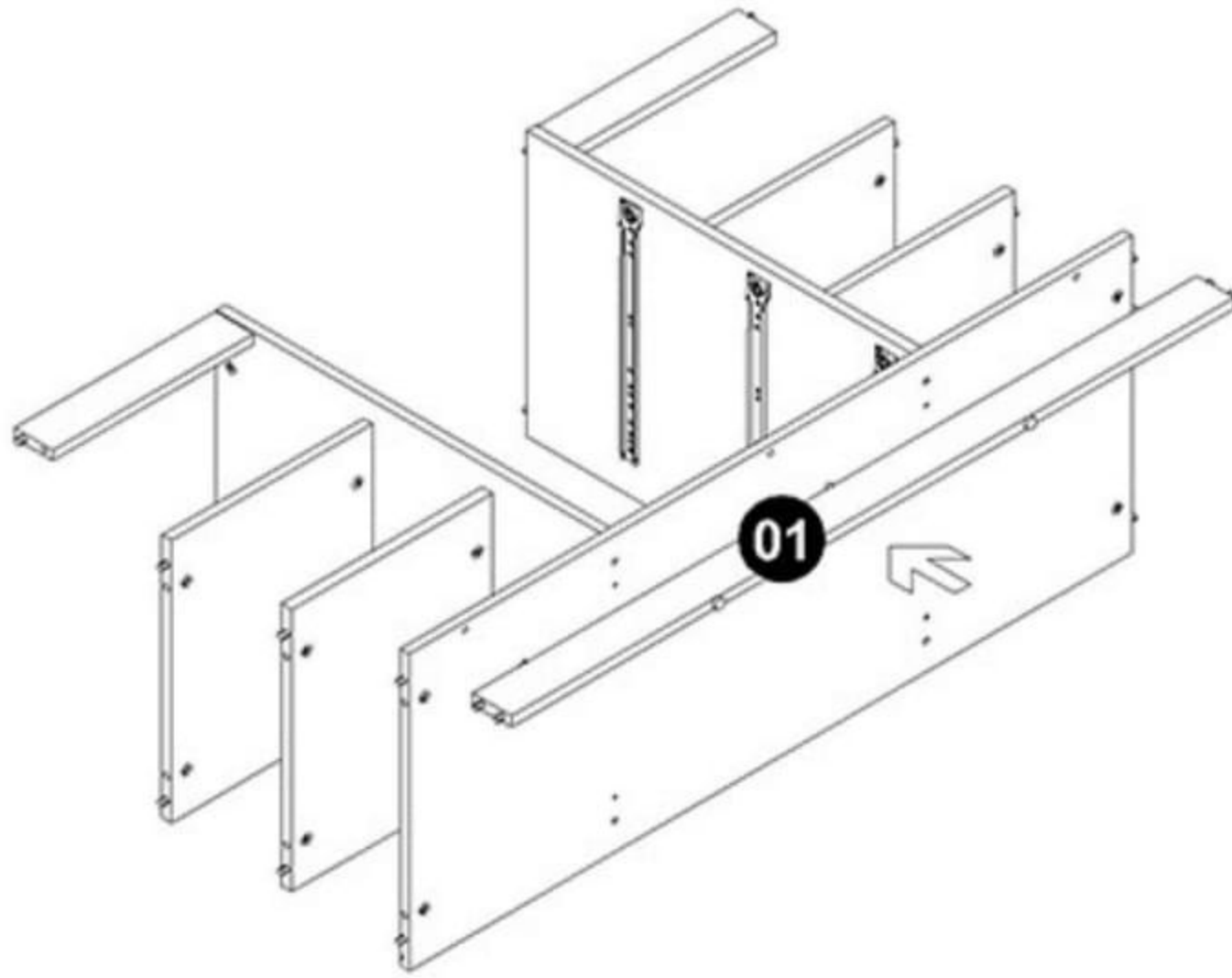
33



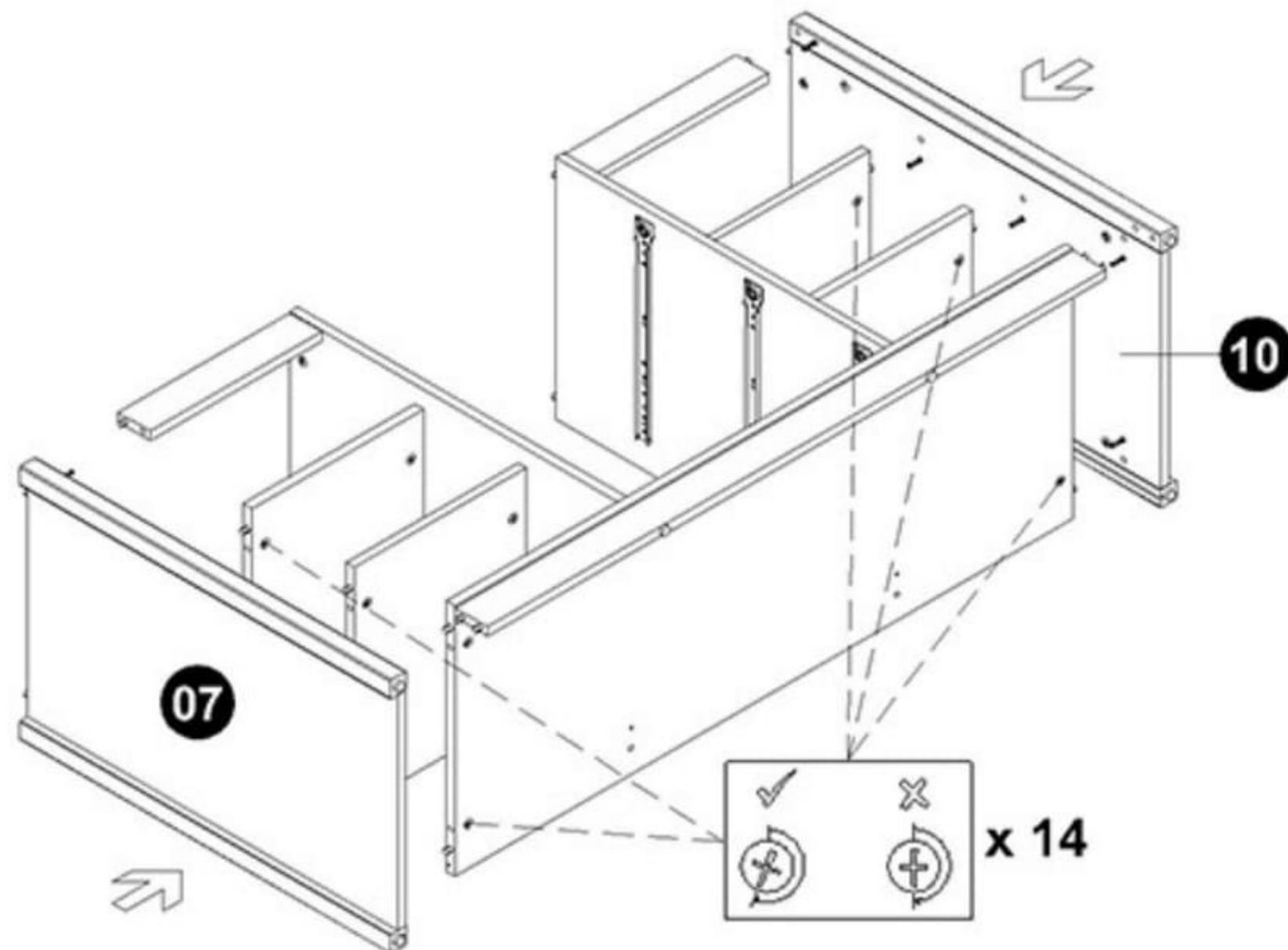
E x 4



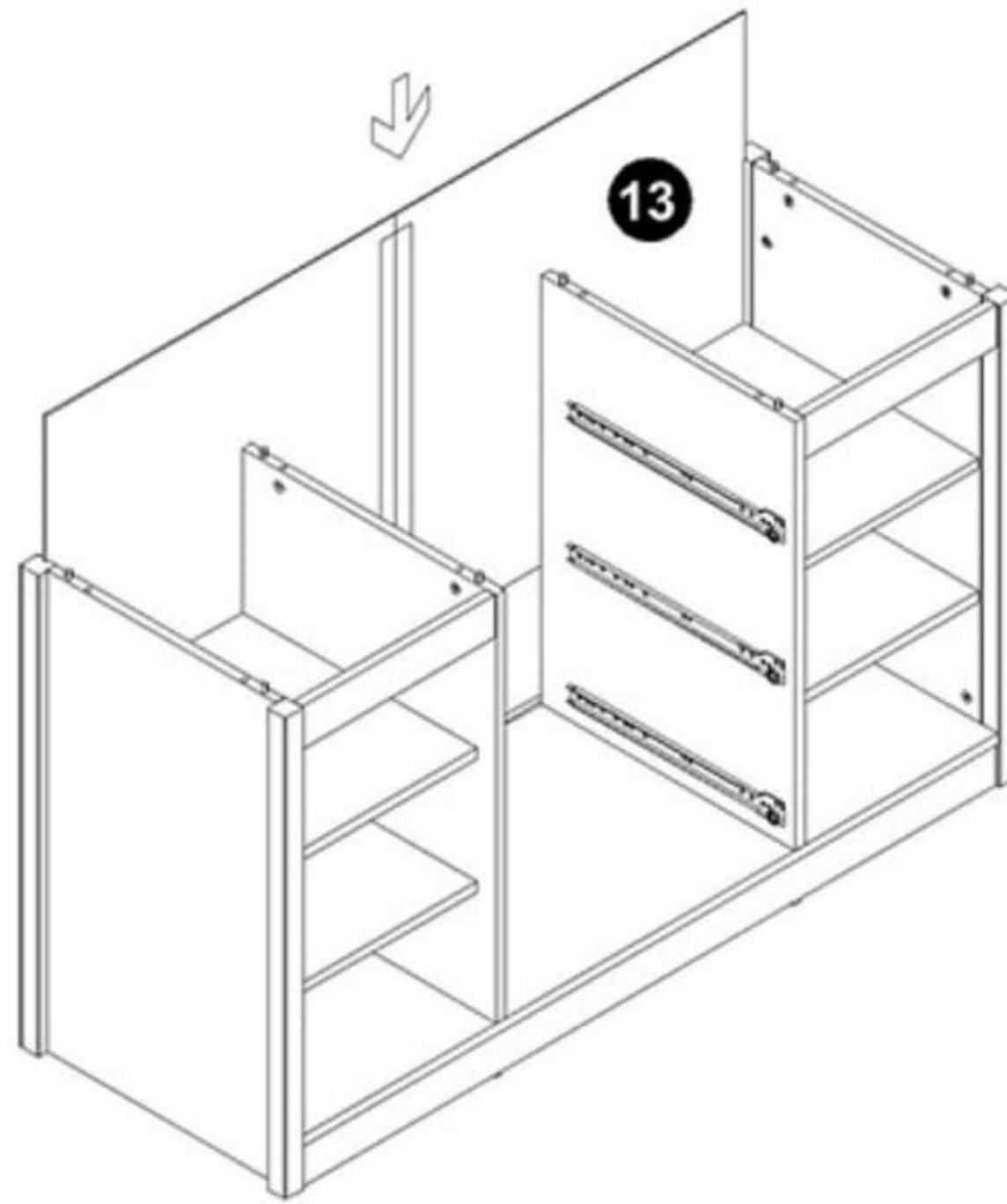
34



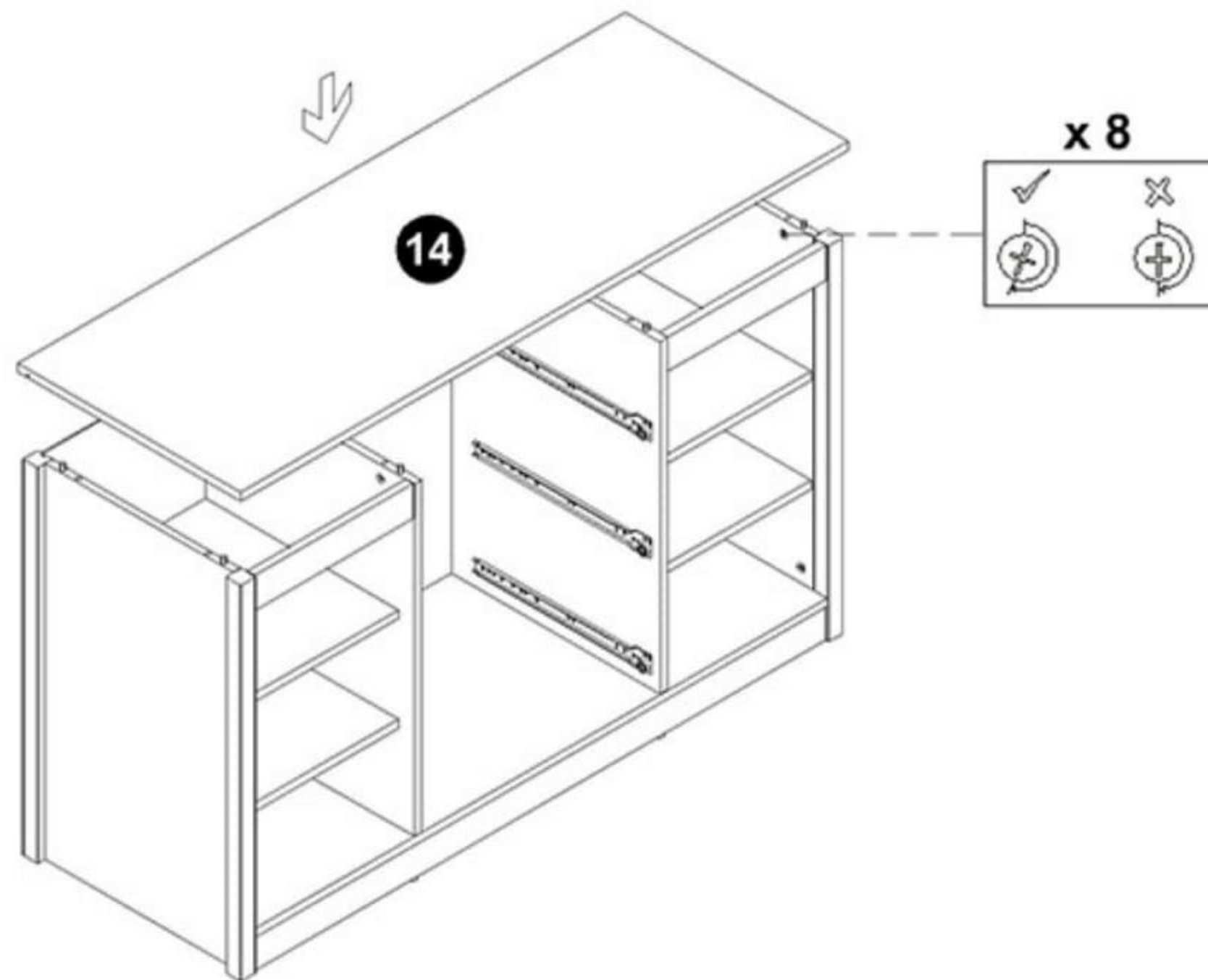
35



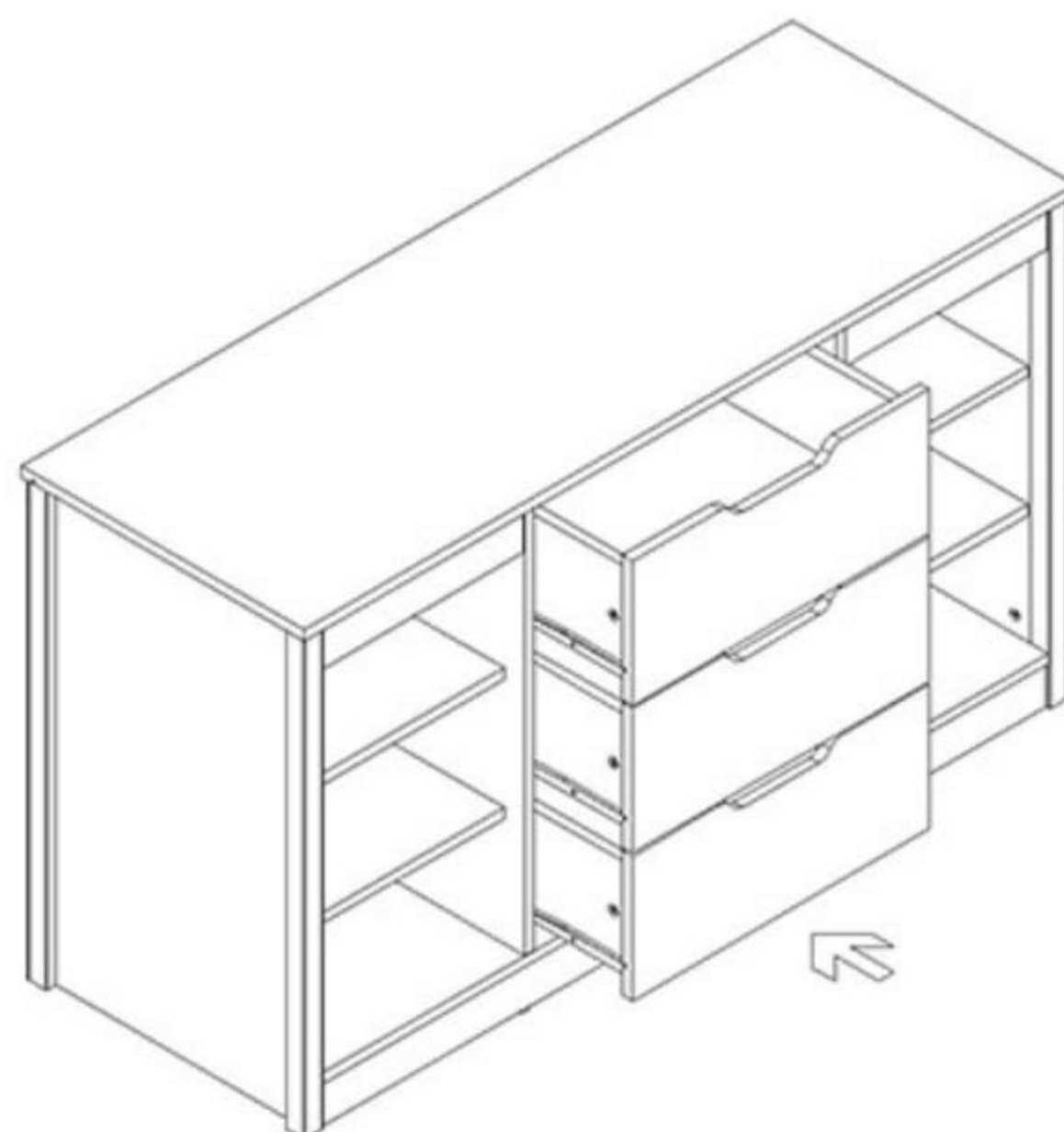
36



37

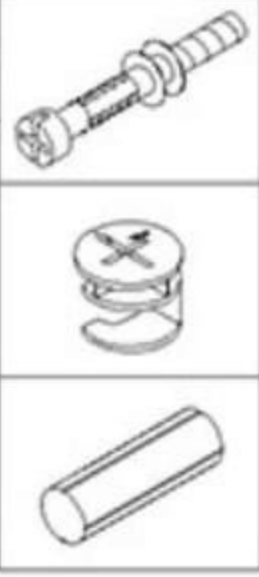


38



Guide To Assembly

39



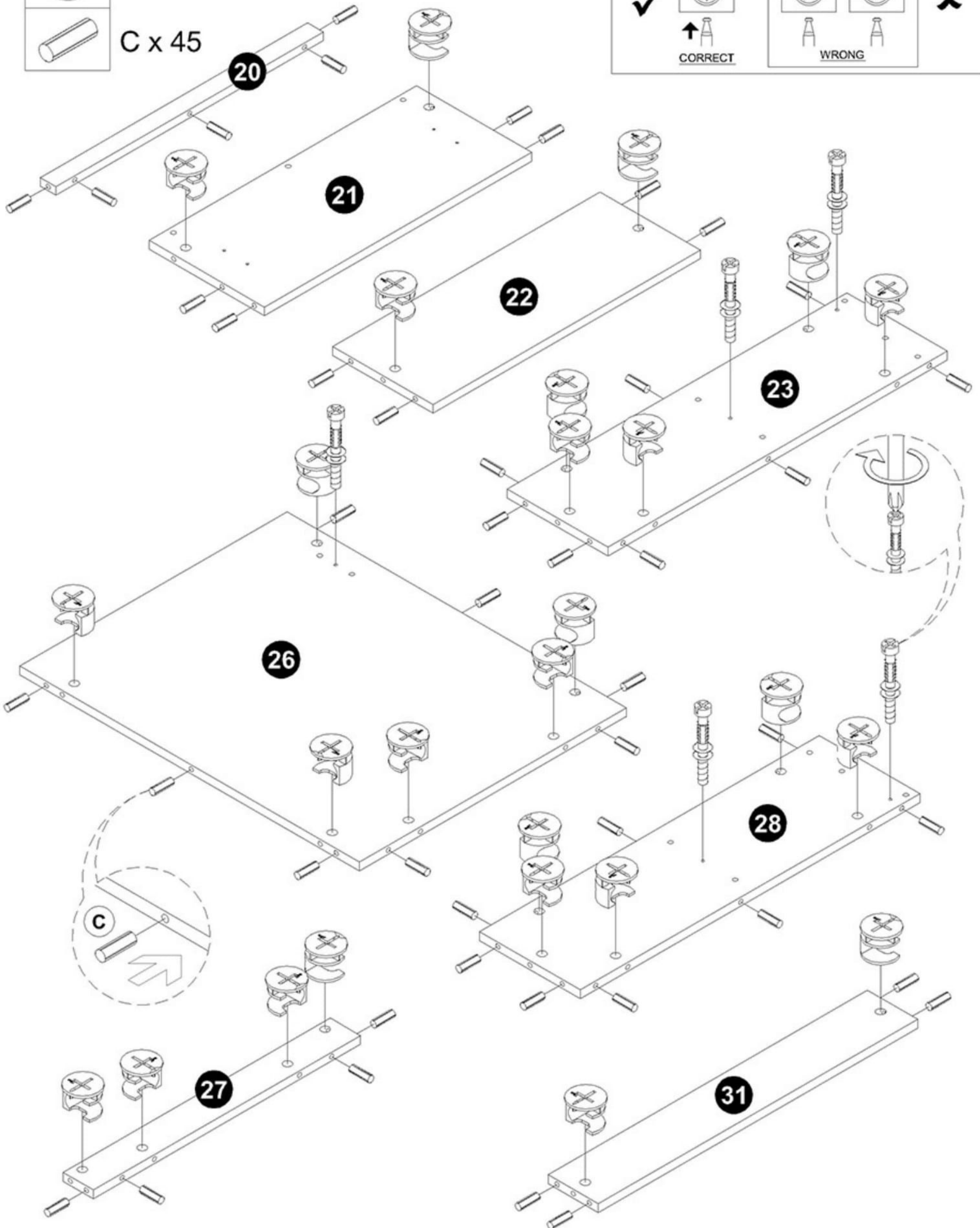
A x 5

B x 26

C x 45

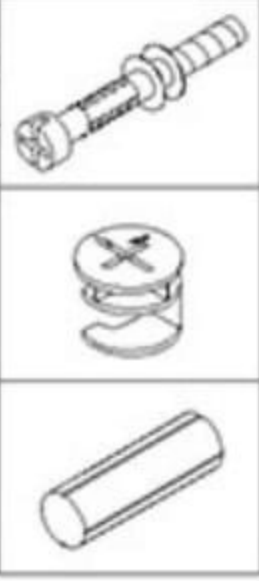
WHEN FITTING CAMS
ENSURE STARTING POSITION IS CORRECT
BEFORE YOU INSERT CONNECTING BOLT
TURN CLOCKWISE UNTIL SECURE

✓ ✗
↑ A
CORRECT WRONG



Guide To Assembly

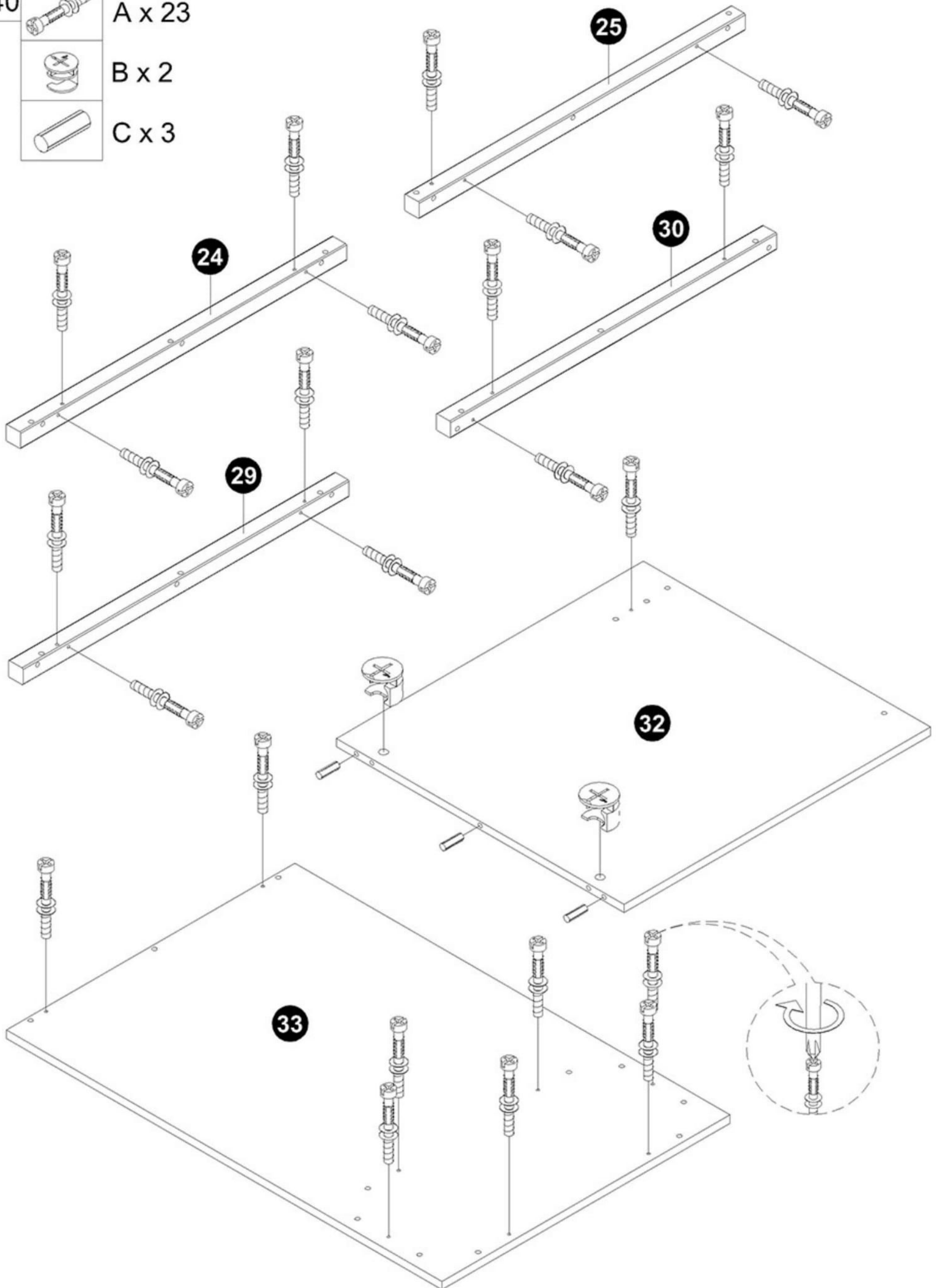
40



A x 23

B x 2

C x 3



Guide To Assembly

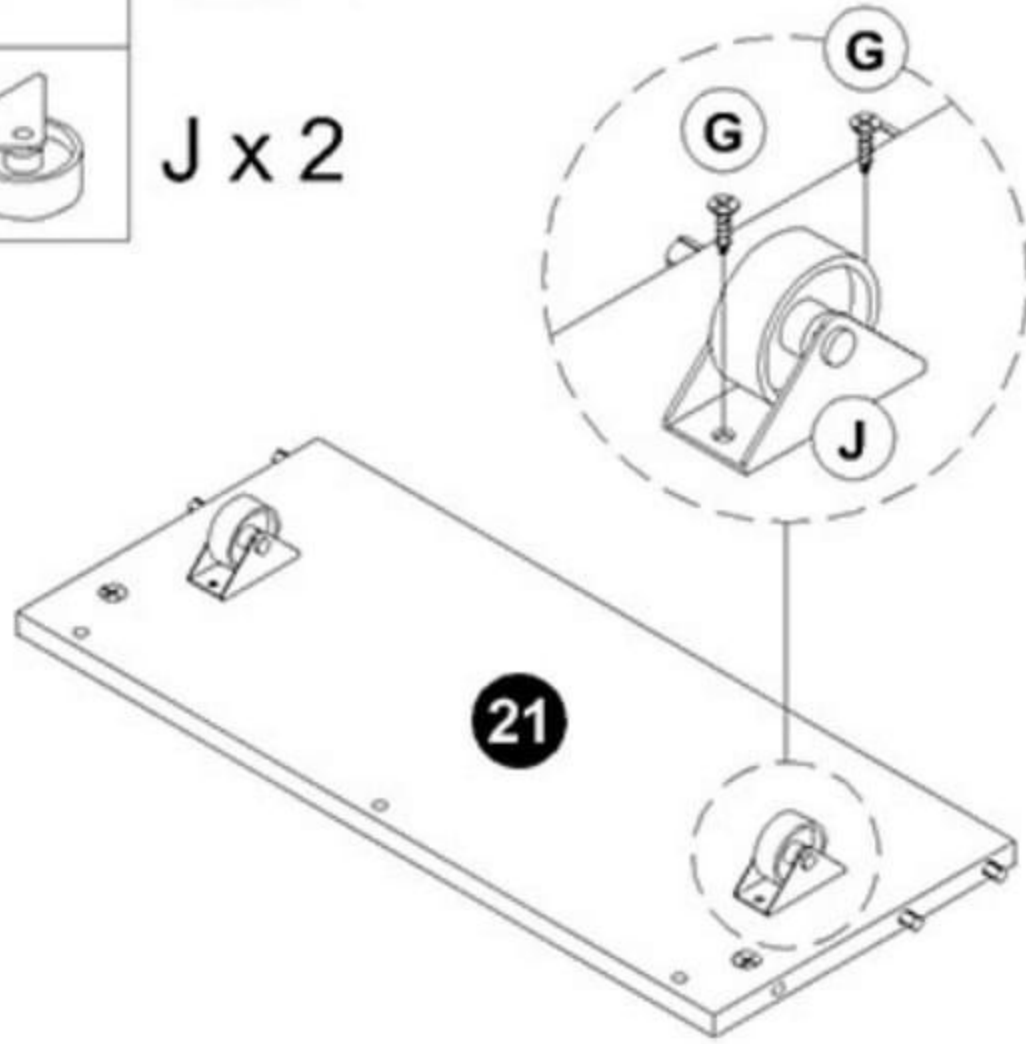
41



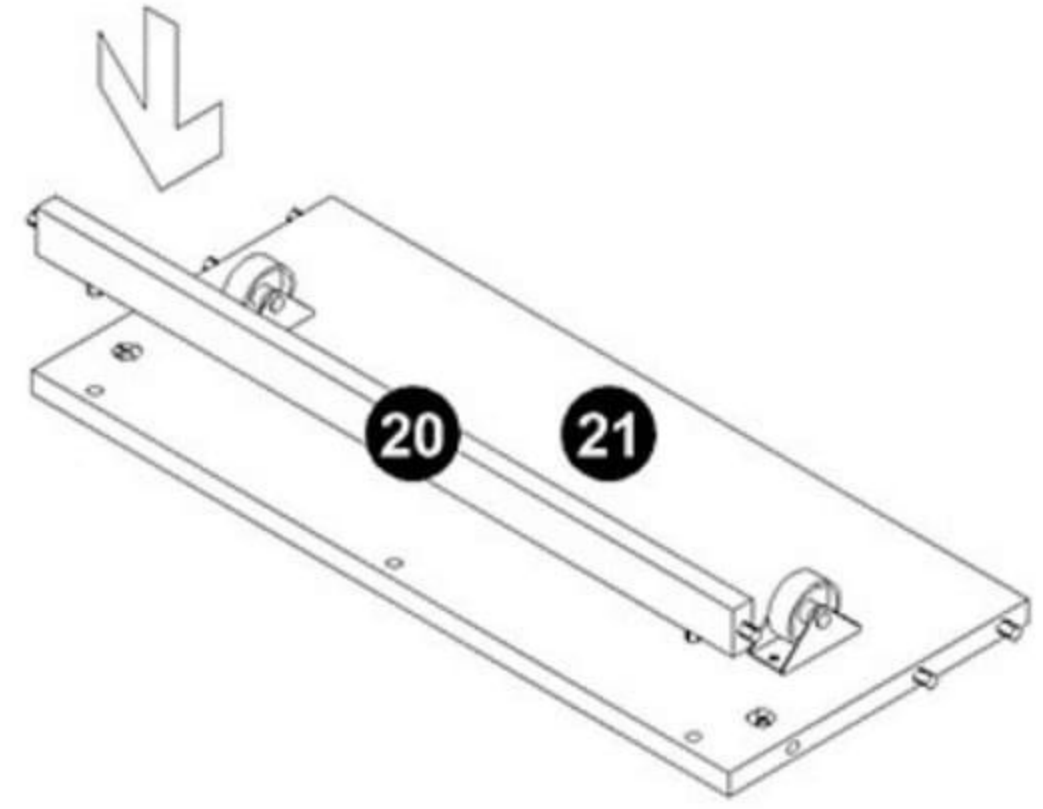
G x 4



J x 2

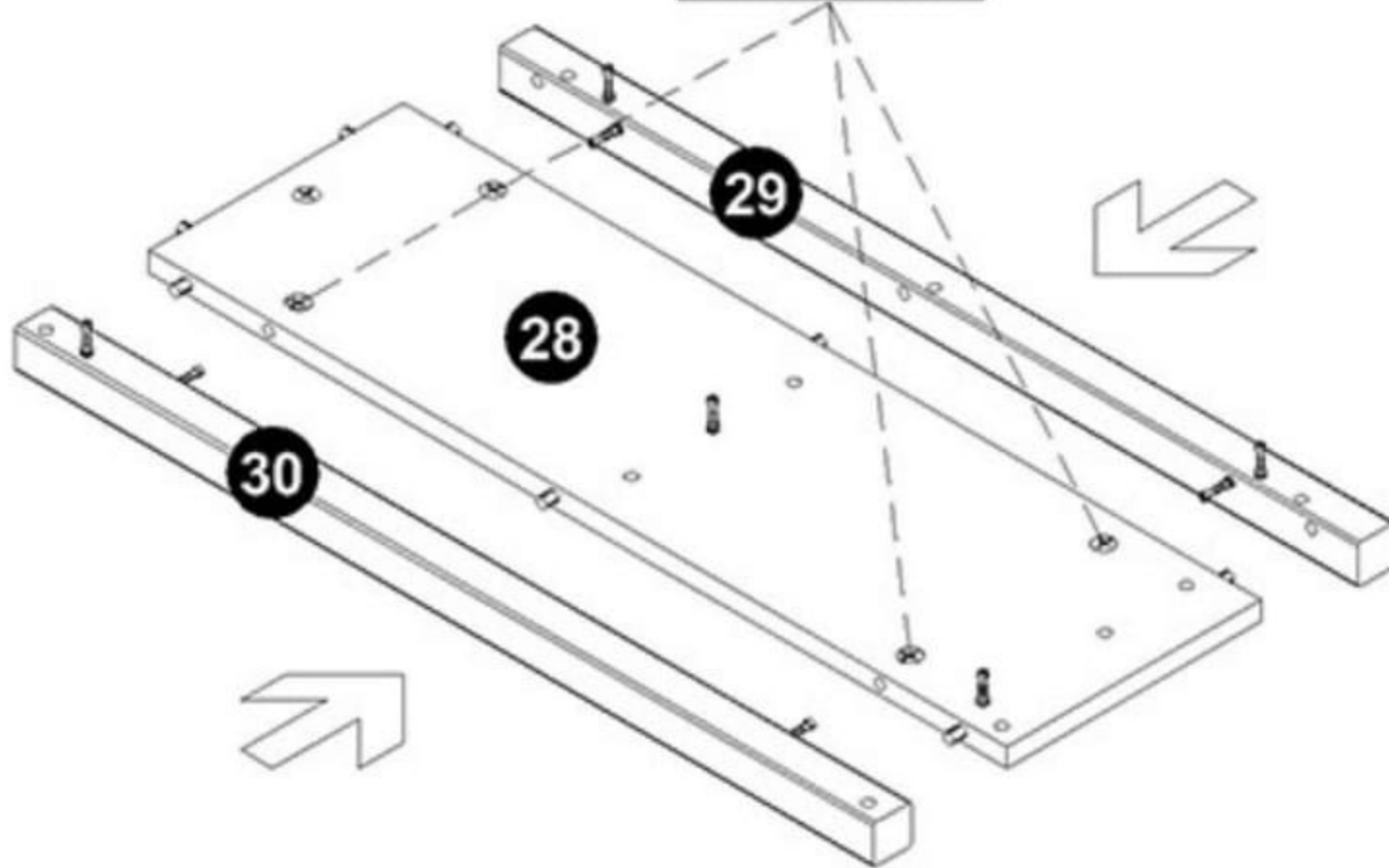
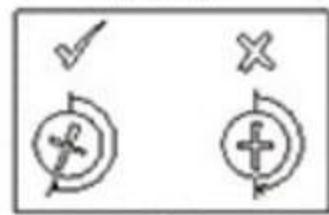


42

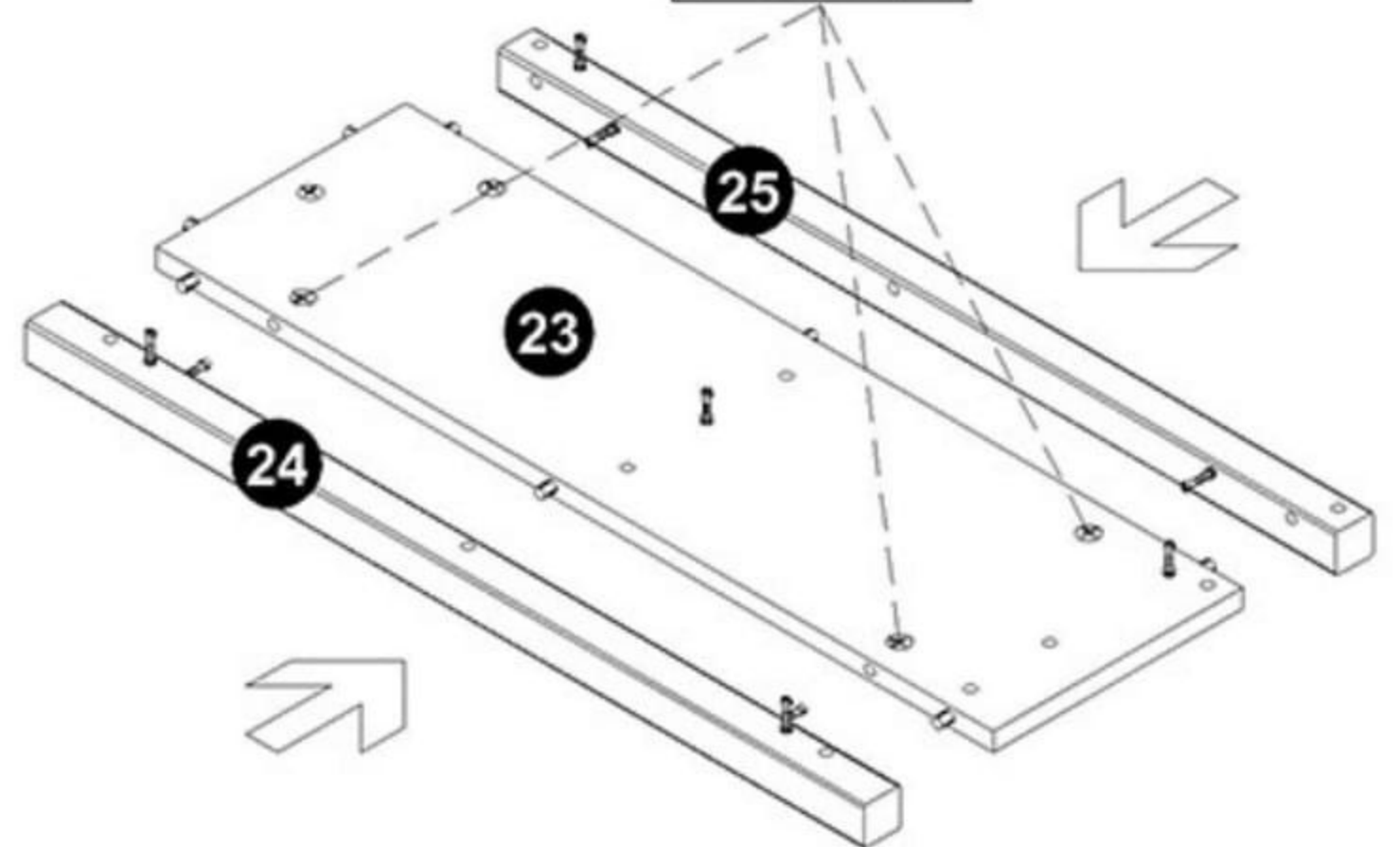
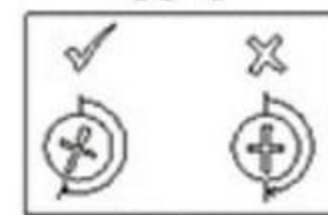


43

x 4



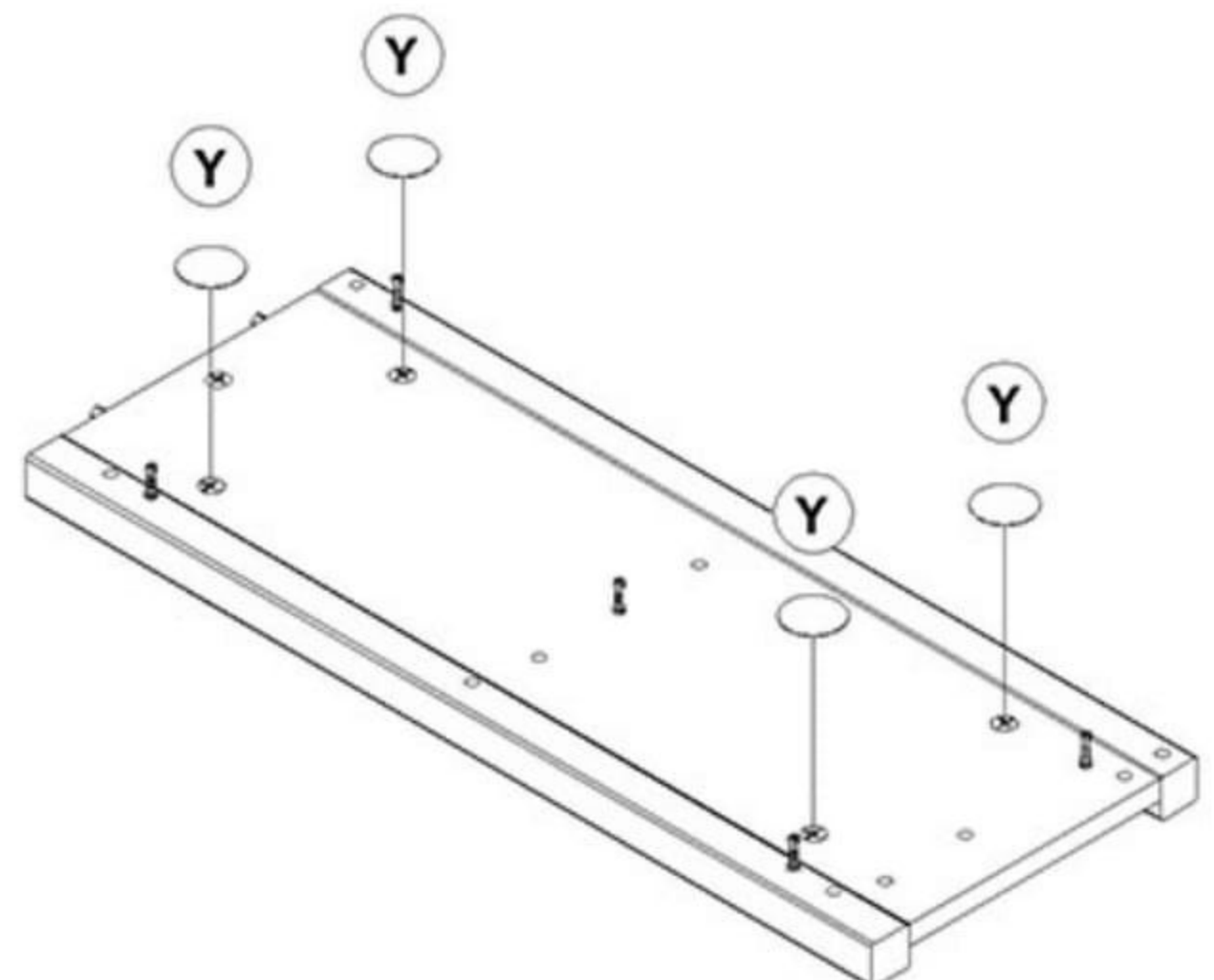
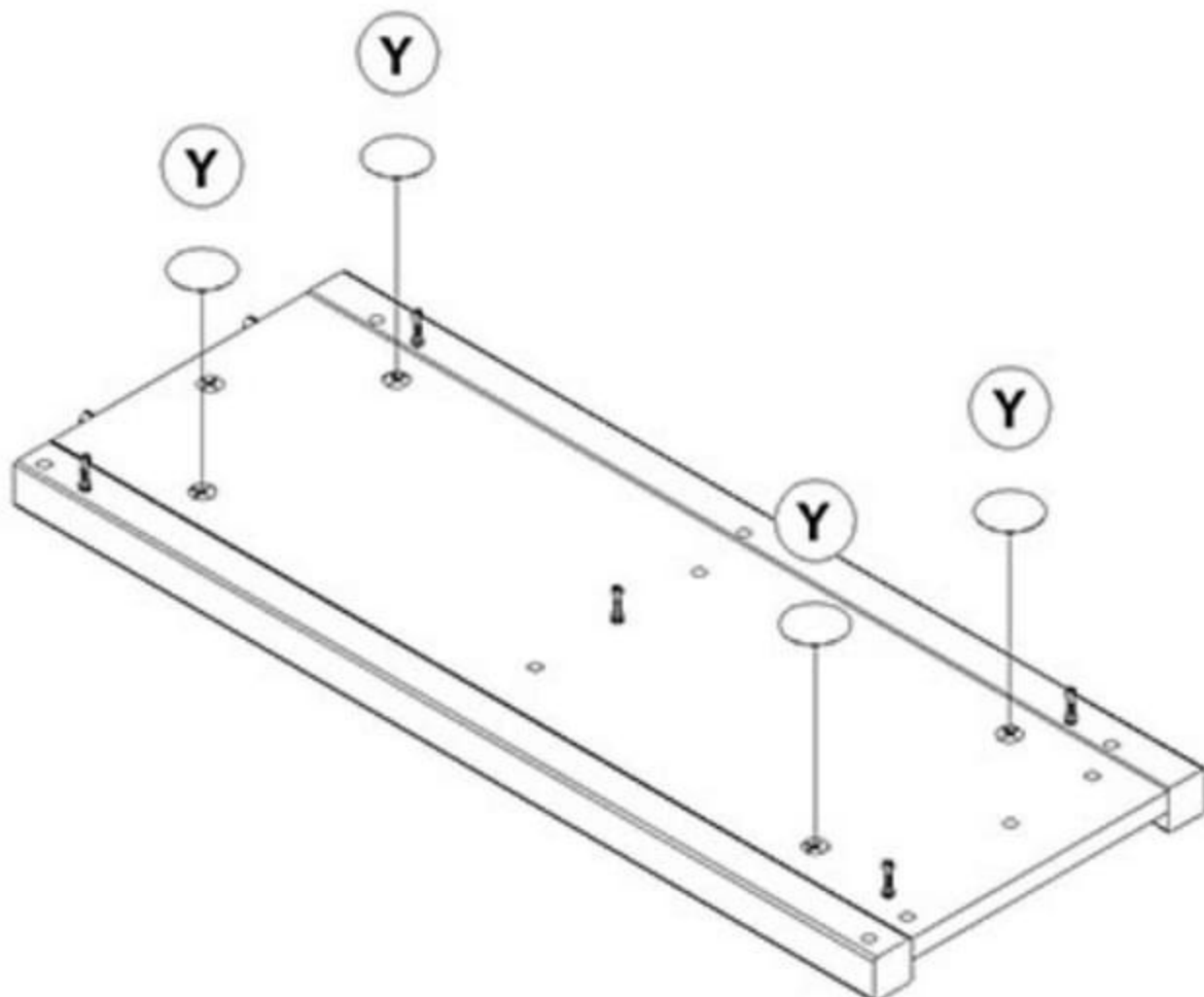
x 4



44

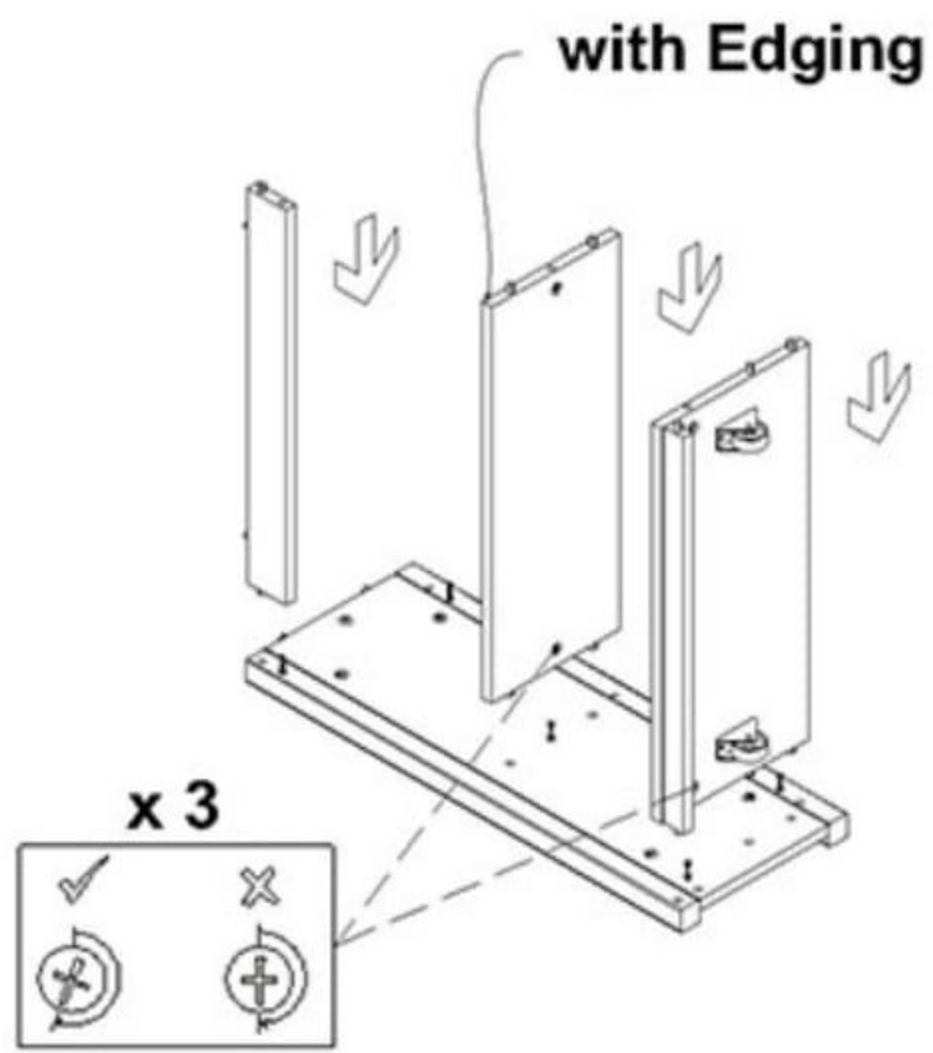


Y x 8

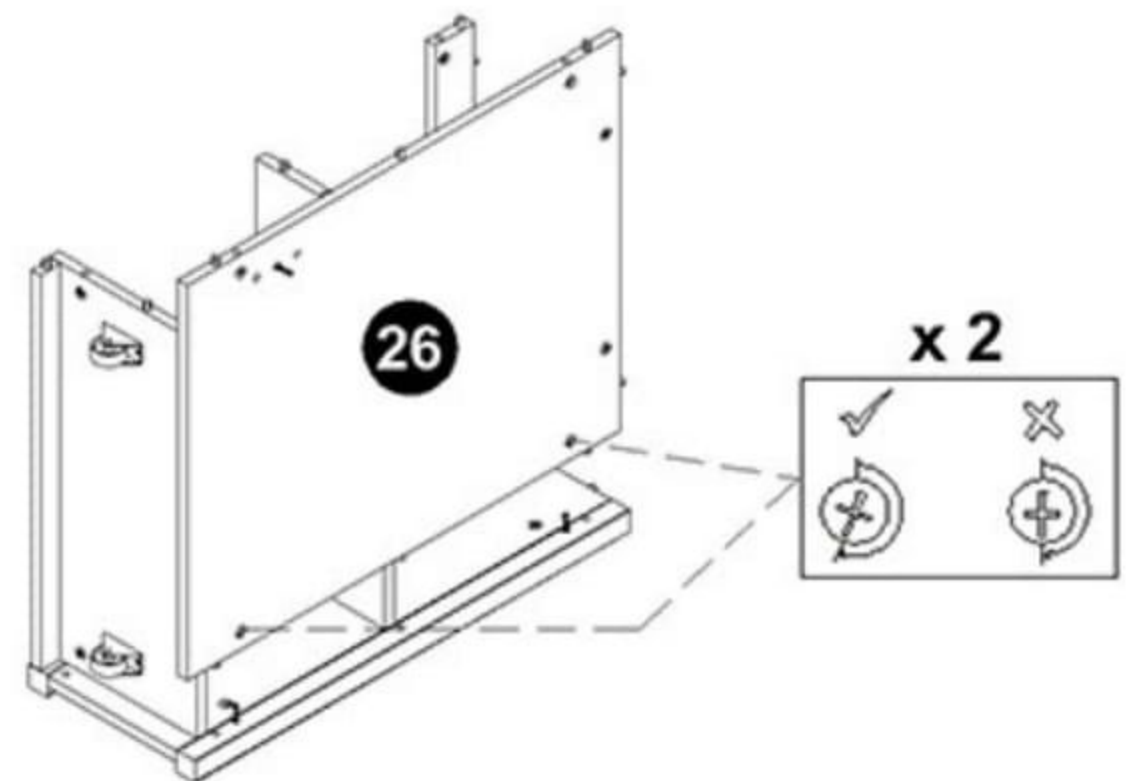


Guide To Assembly

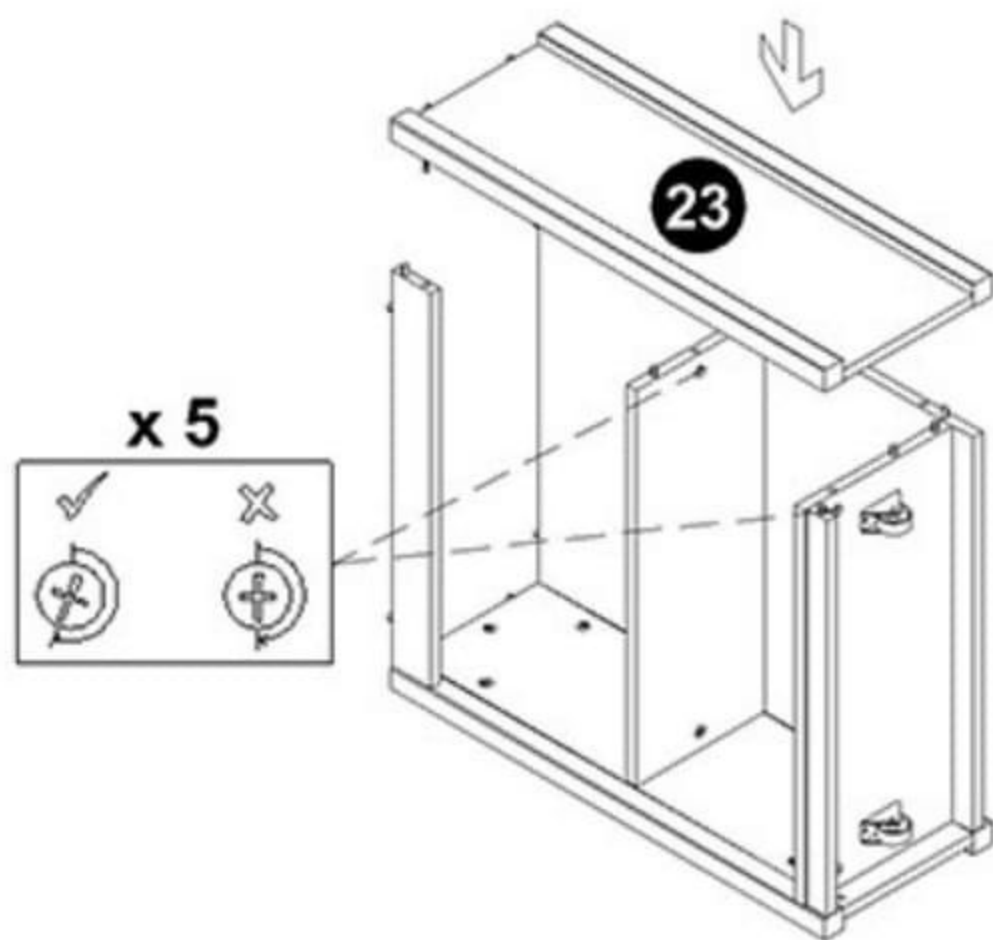
45



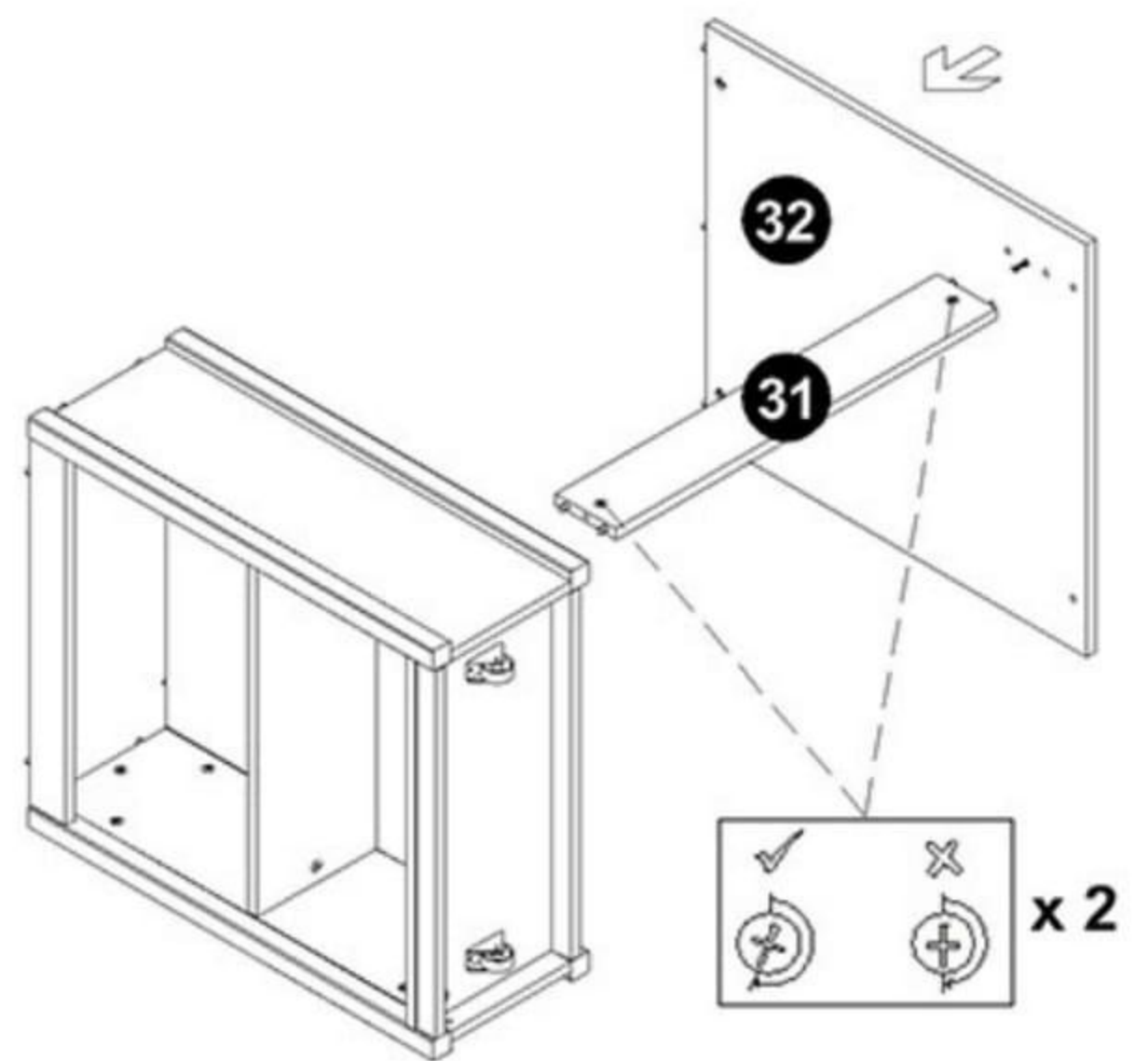
46



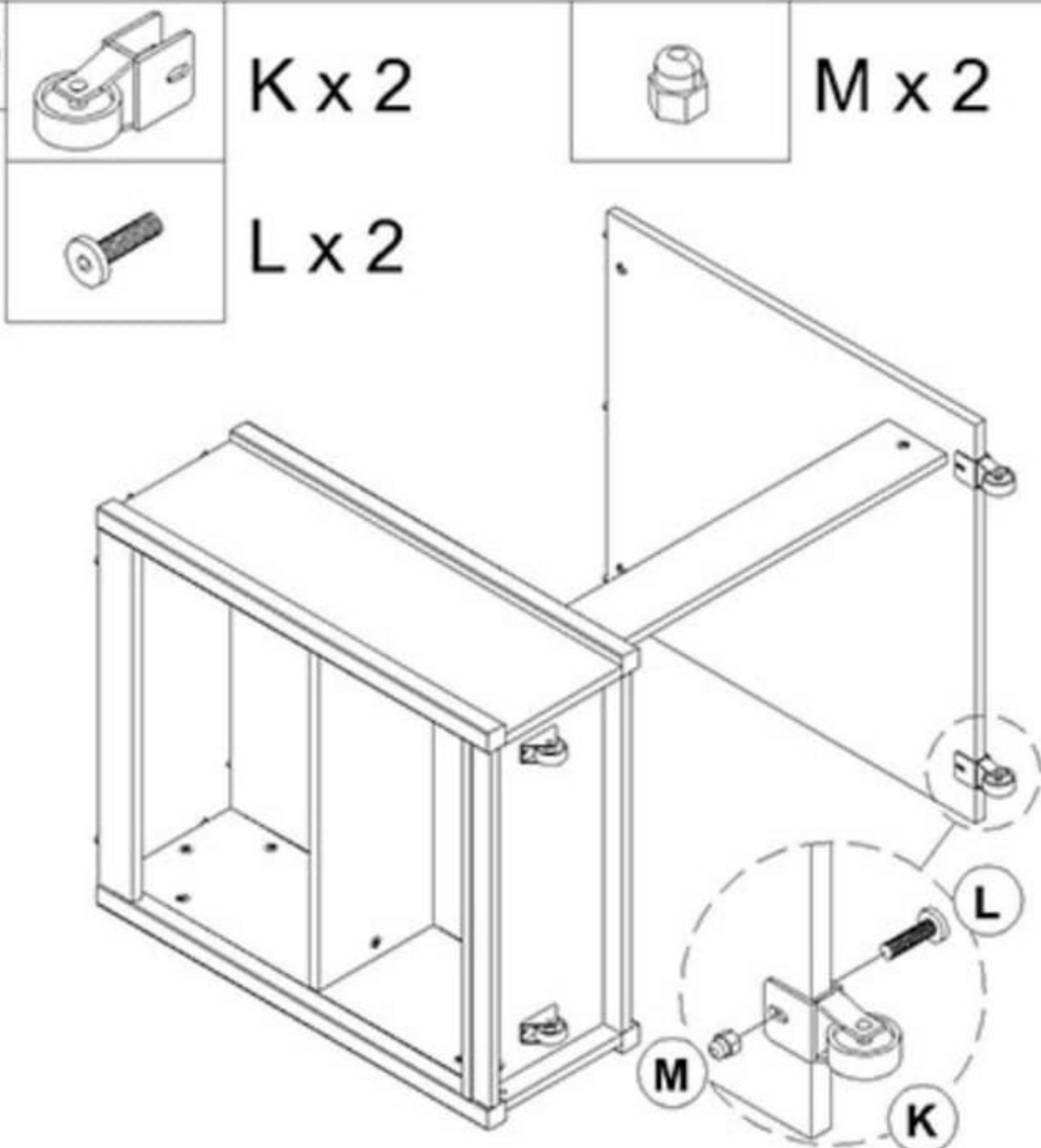
47



48



49



50

