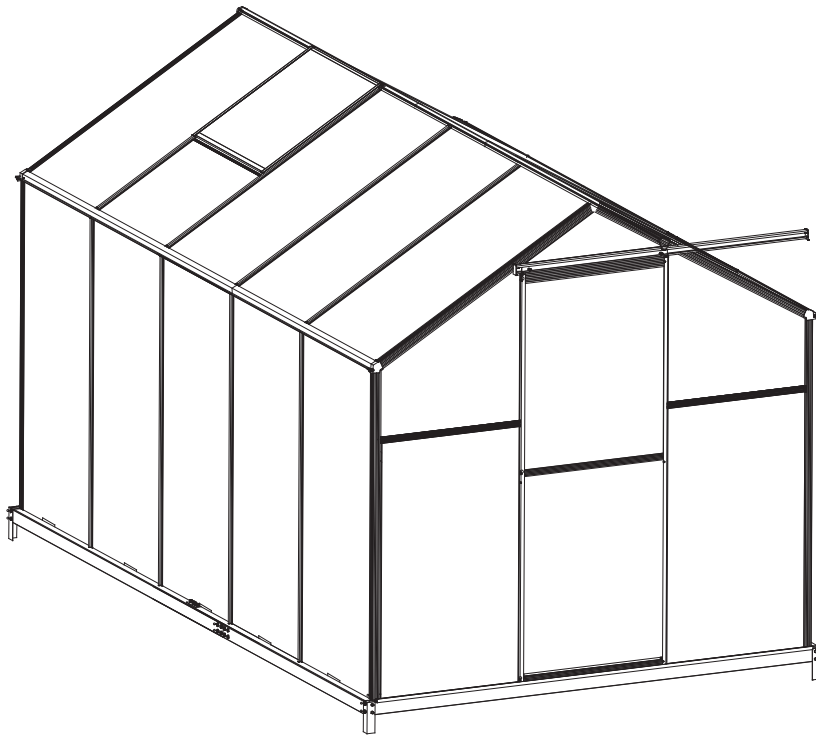


# 10X6 Greenhouse



READ AND SAVE THIS INSTRUCTIONS FOR FUTURE USE

Tools Recommended

## ASSEMBLY & INSTEUCION MANUAL

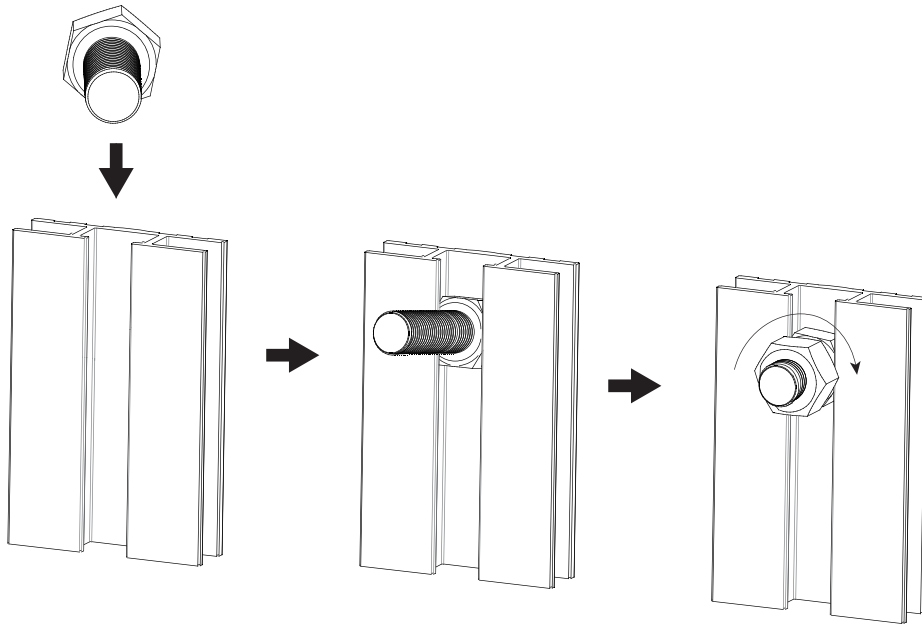
## ABOUT THIS MANUAL

### LEGENDS

**A** Steps. Follow the steps in alphabetic order, from Step A to Step B, etc.

**W1** Part No. Each part is labeled with its Part No.

### BOLT INSERTION



Several steps in this manual involve inserting F4 Bolts into the groove of Aluminum profiles as a preparation for further installation. Diagrams above illustrate how to use such inserted bolts.

### F4 BOLTS AND NUTS

Part No. F4 refers to both the bolt and the nut. In some steps only the bolt or the nut will be used and in other steps the whole set will be used. Check the specific Part List in each step.

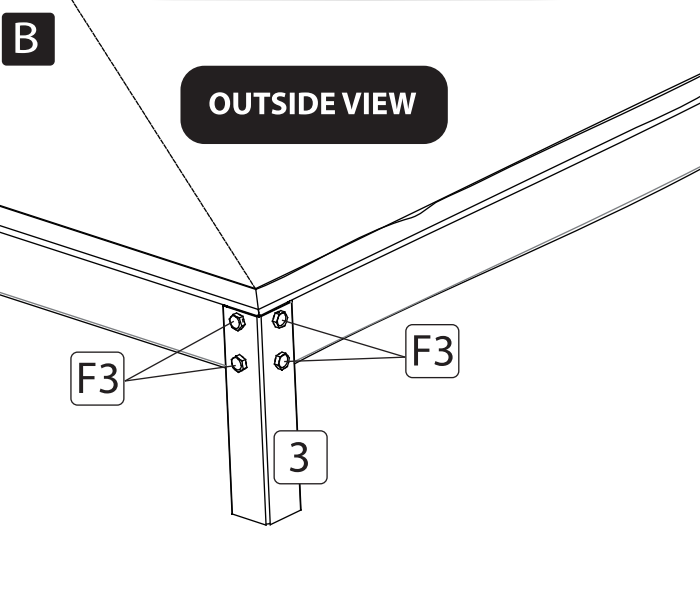
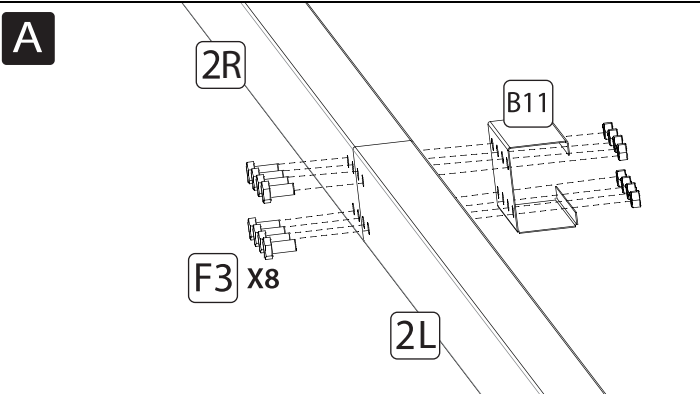
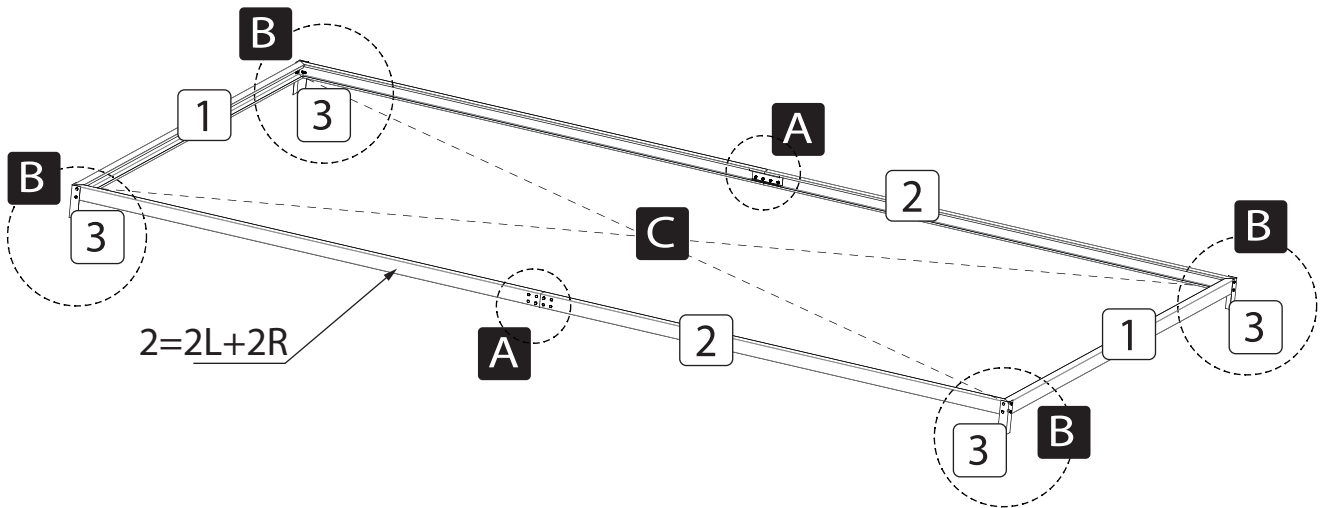
BOX 2/2

Part No.	Part	Qty.	Part No.	Part	Qty.
1		2	D1		1
2L		2	D2		1
2R		2	D3		2
3		4	D4		1
4L		2	W1		1
4R		2	W2		2
5		1	W3		1
6		1	W4		1
7		4	B2		16
8L		2	B3		6
8R		2	B4		4
9		2	B5		4
10L		1	B6		2
10R		1	B7		1
12		5	B8		1
13		1	B9		2
14		1	B10		2
15		1	B11		2
16		4	S6L		2
17L		1	S6R		2
17R		1	S5		2
18		1	S7		2
19		8	S8		1
20		8	S9		1
22		4	F3		32
23		4	F1		8
25L		2	F2		4
25R		2	F8		1
S14		15	F9		1
		2	F6		2
			F4		134
			F5		40

BOX 1/2

Part No.	Part	Qty.
P1		2
P2		1
P3		4
P4L		2
P4R		2
P5		1
P6		1
P7		1
P8		10
P9		9
P10		1

# Assembling of Pre-fabricated Base



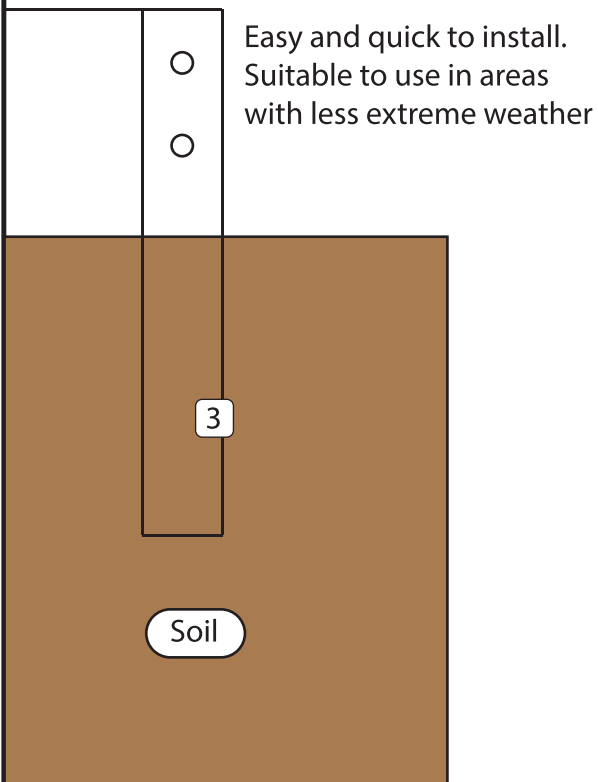
**C**

Take the fully assembled base to the chosen site and secure the base to the ground.  
 TIP: measure the length of the two diagonal of the base to make sure that the base is in a square shape.  
 Use a level to make sure the secured base is at.

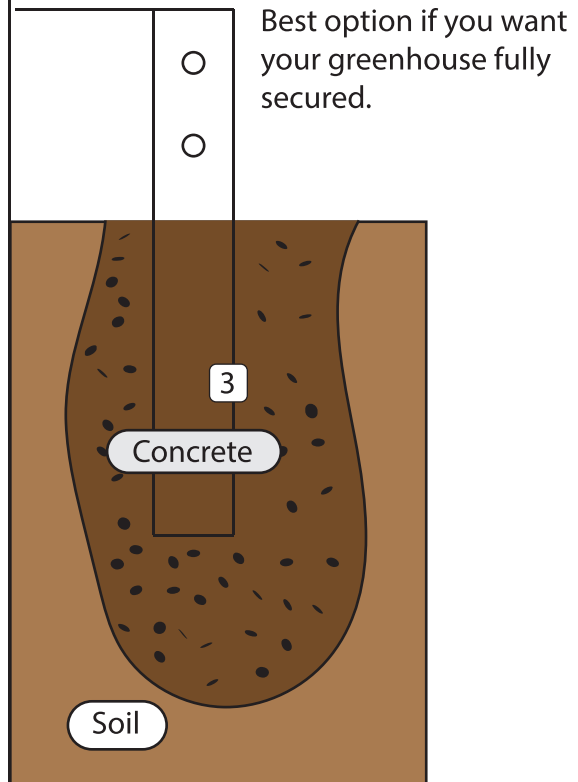
Part No.	Part	Qty.
1		2
2L		2
2R		2
3		4
B11		2
F3		32

## Two foundation options with pre-fabricated Base

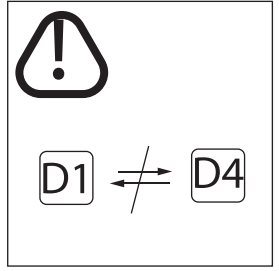
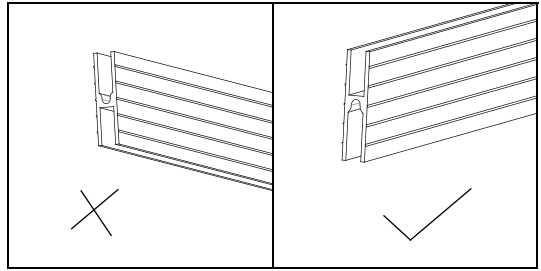
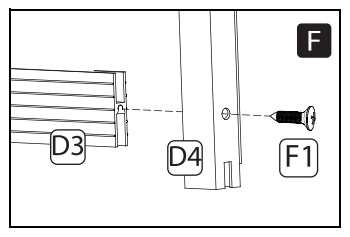
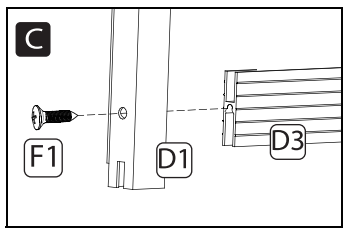
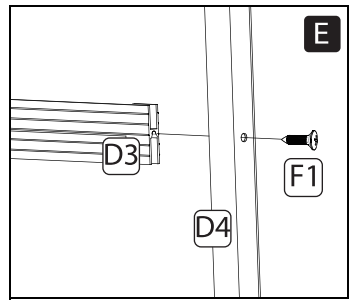
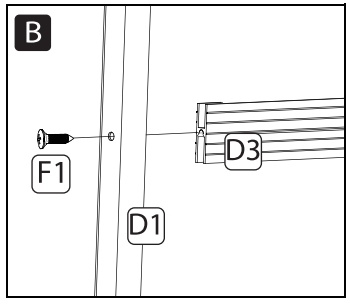
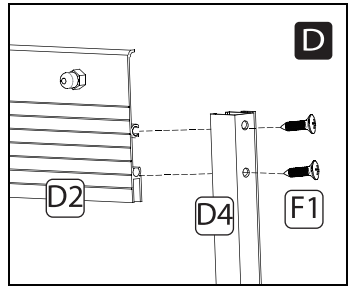
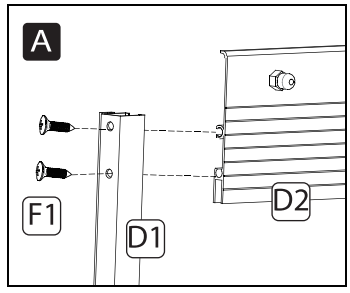
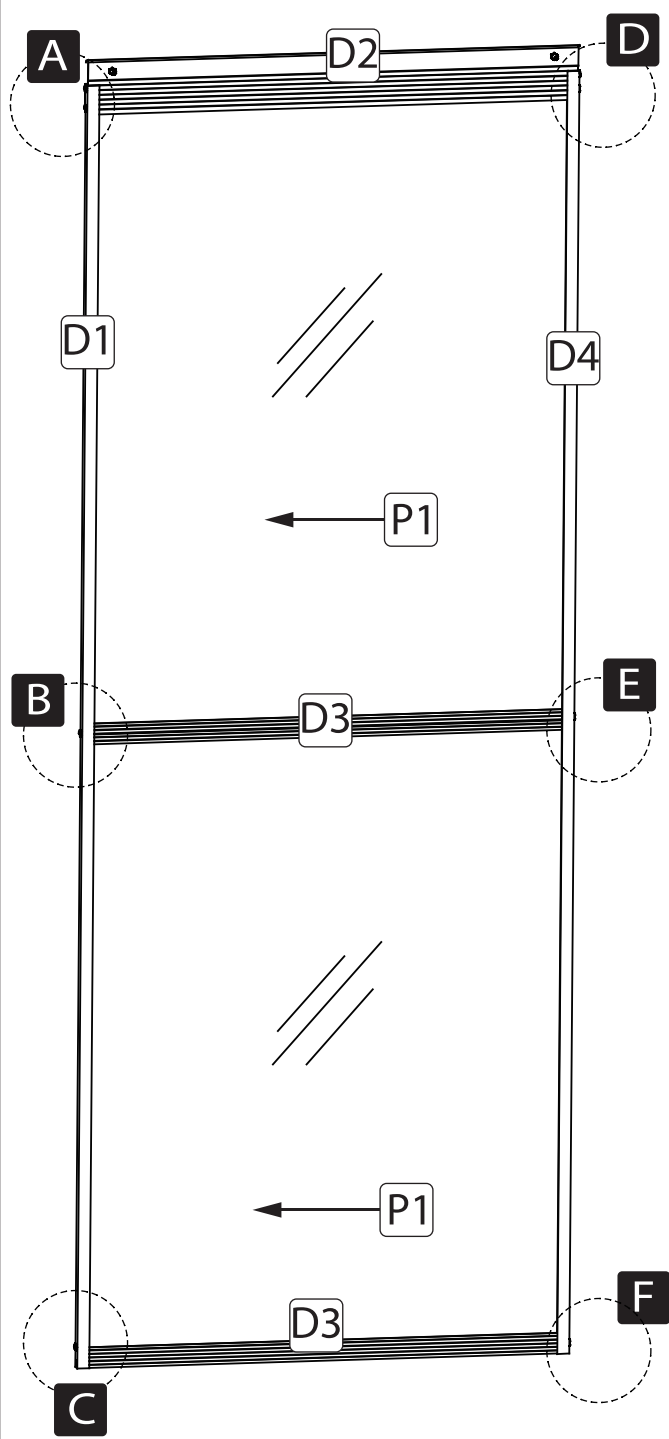
### Option 1 Corner Stakes mounted into the soil



### Option 2 Corner Stakes mounted into concrete

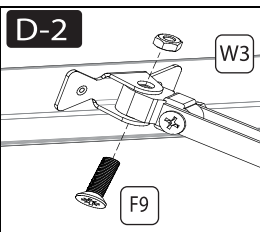
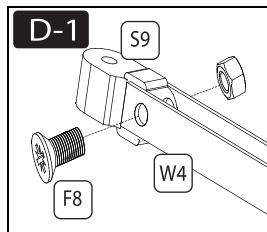
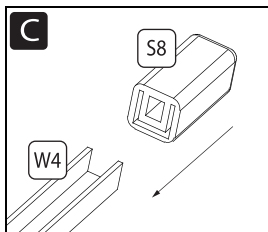
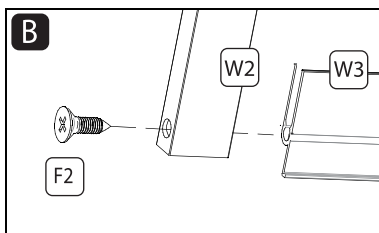
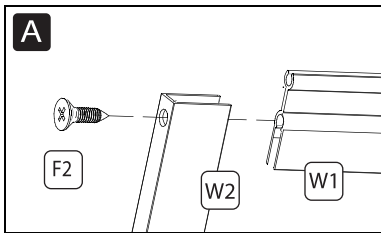
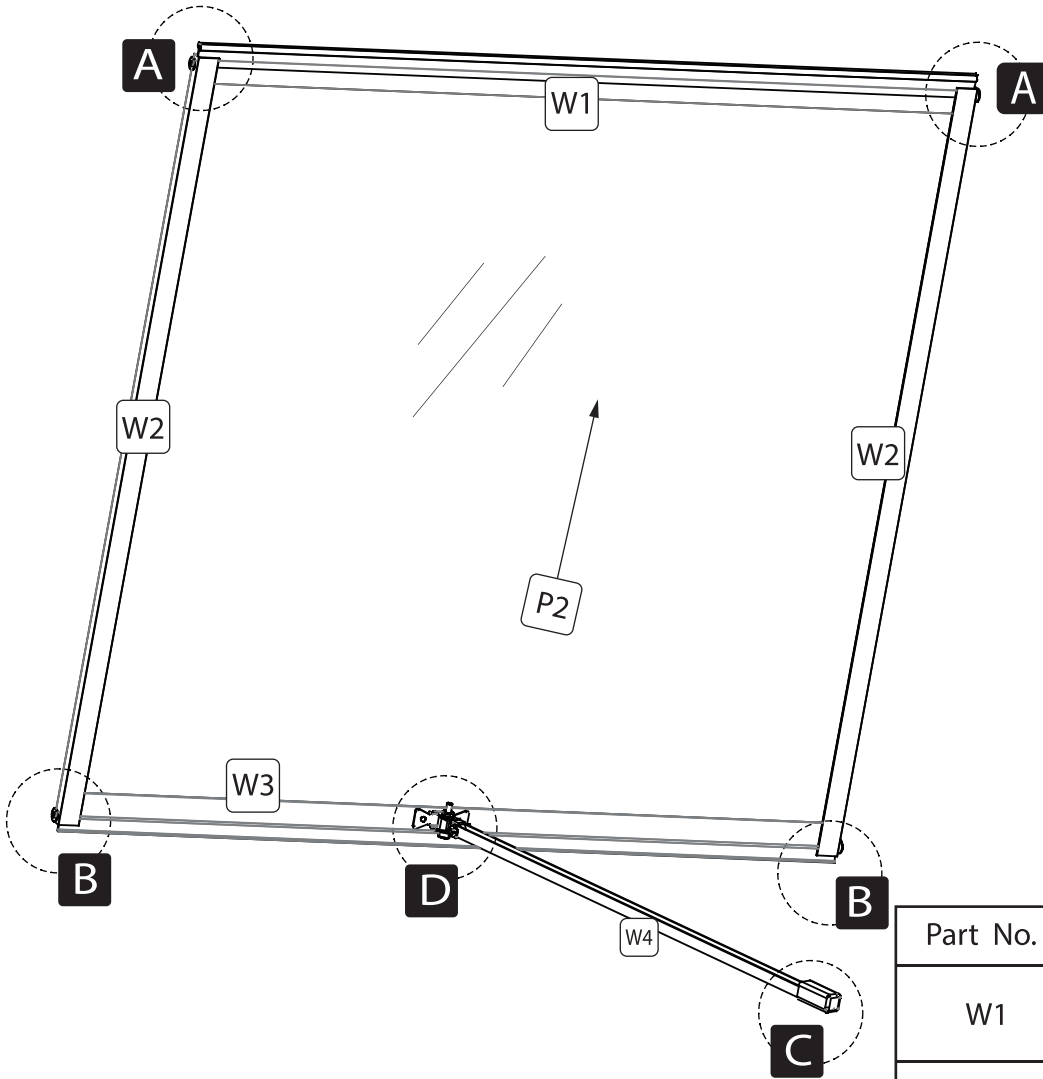


# Assembling of Door



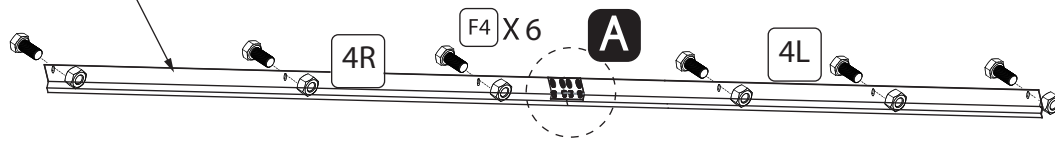
Part No.	Part	Qty.
D1		1
D2		1
D3		2
D4		1
F1		8
P1		2

# Assembling of window

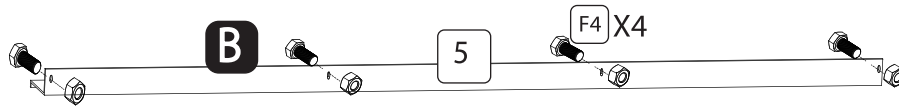


Part No.	Part	Qty.
W1		1
W2		2
W3		1
W4		1
S8		1
S9		1
F2		4
F8		1
F9		1
P2		1

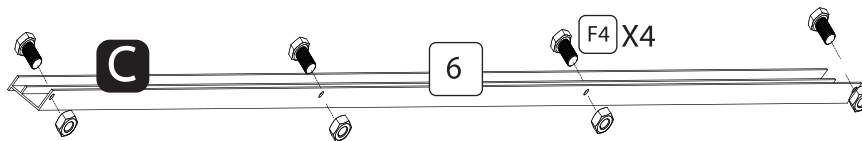
4=4L+4R



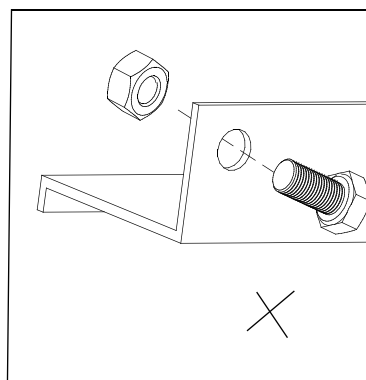
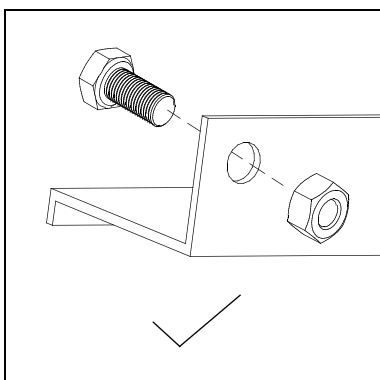
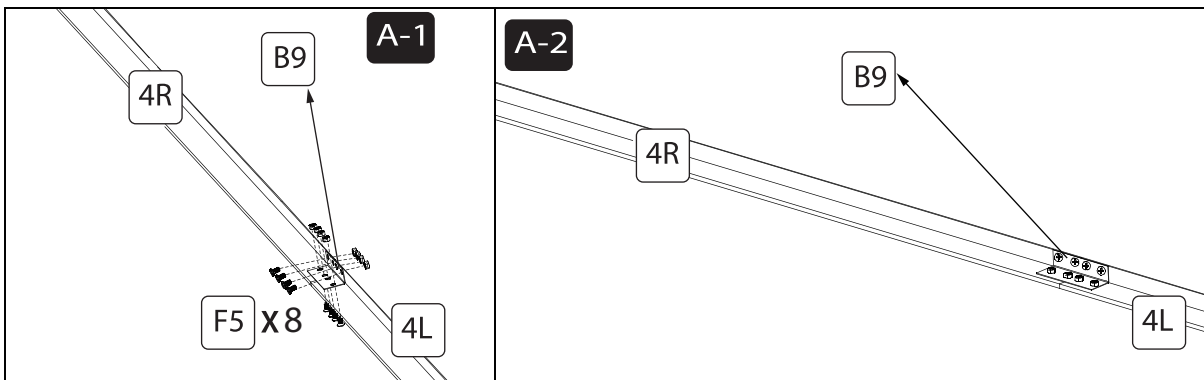
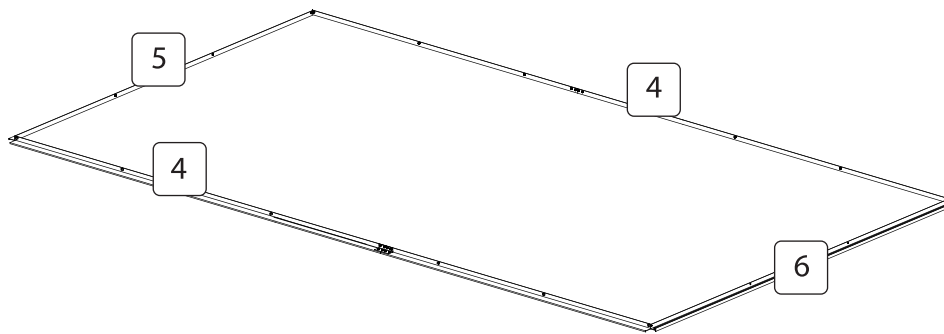
2X



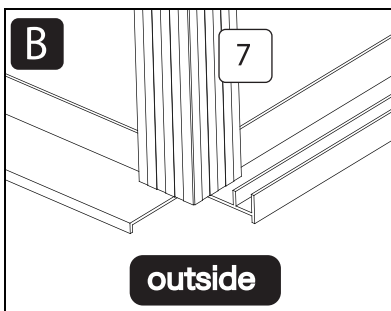
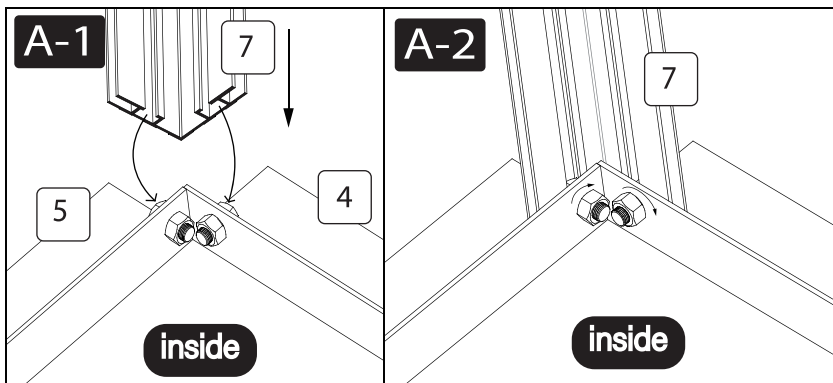
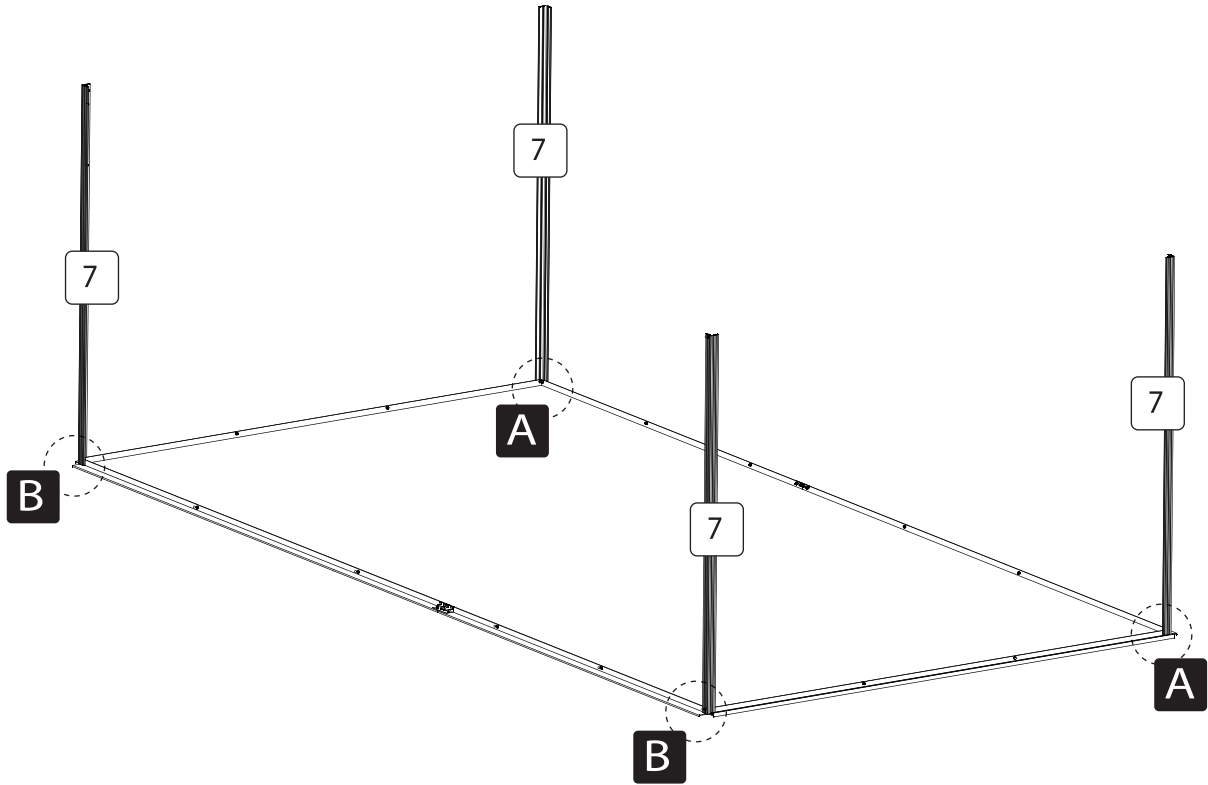
1X

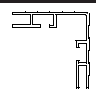


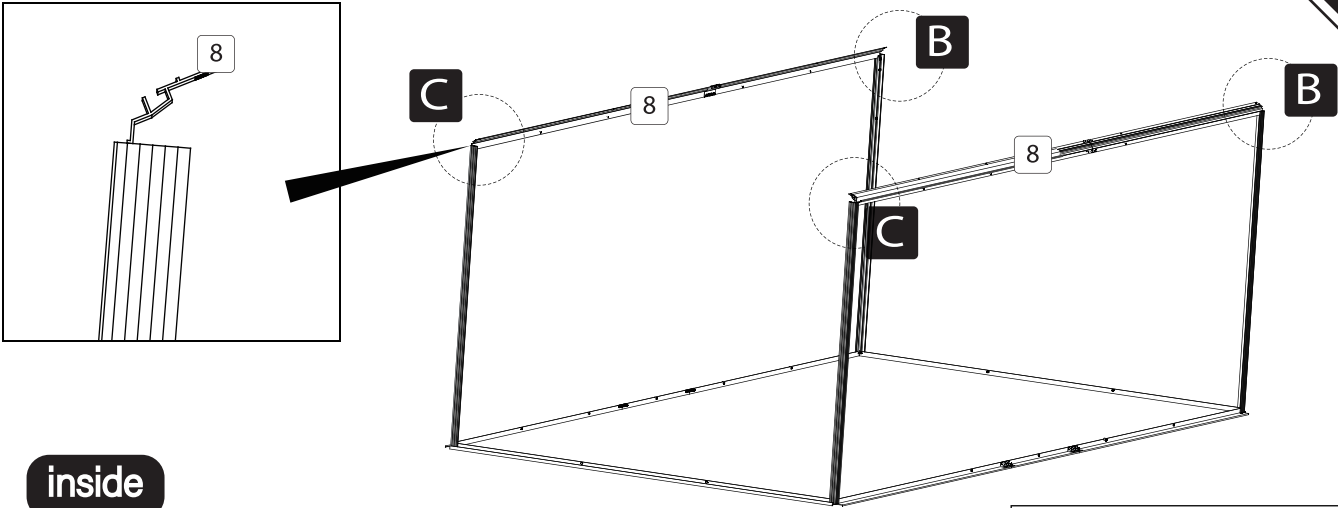
1X



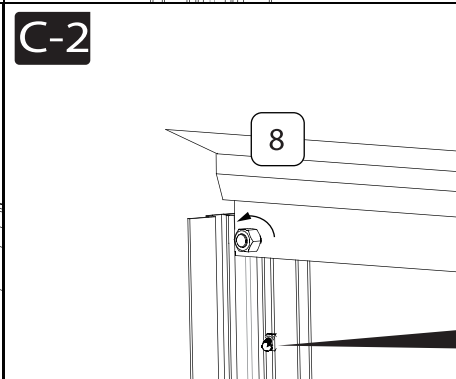
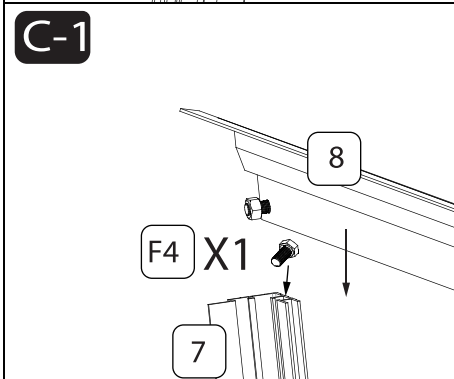
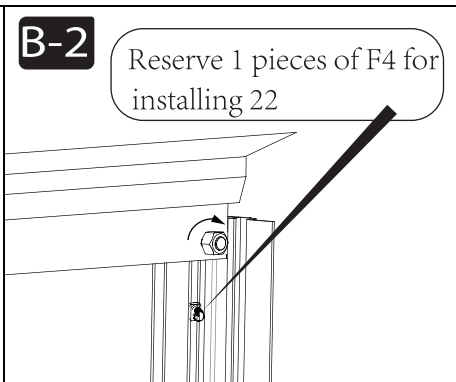
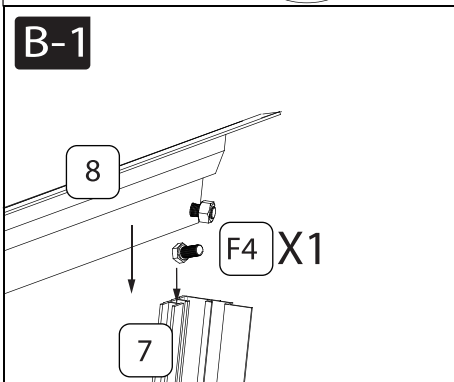
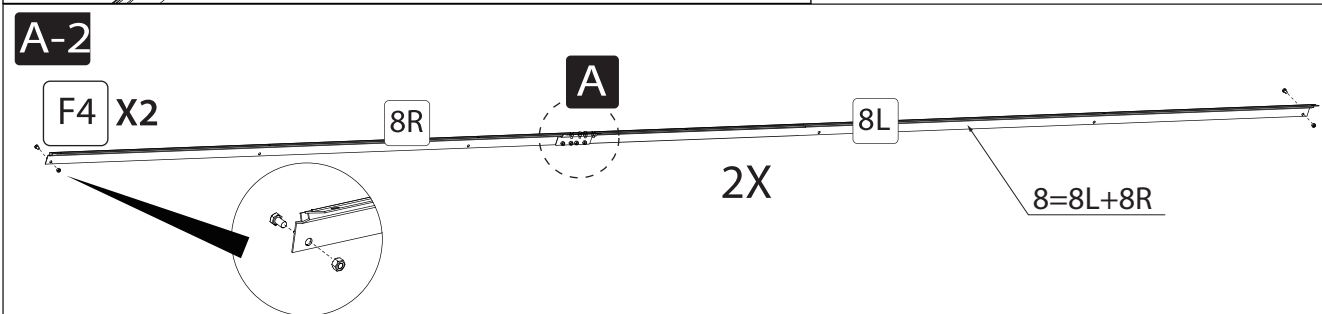
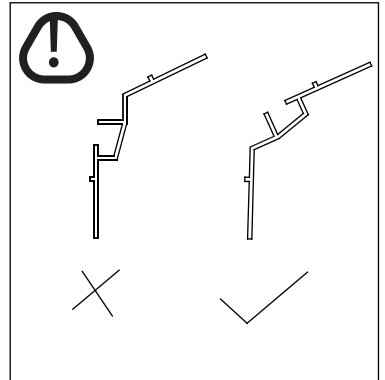
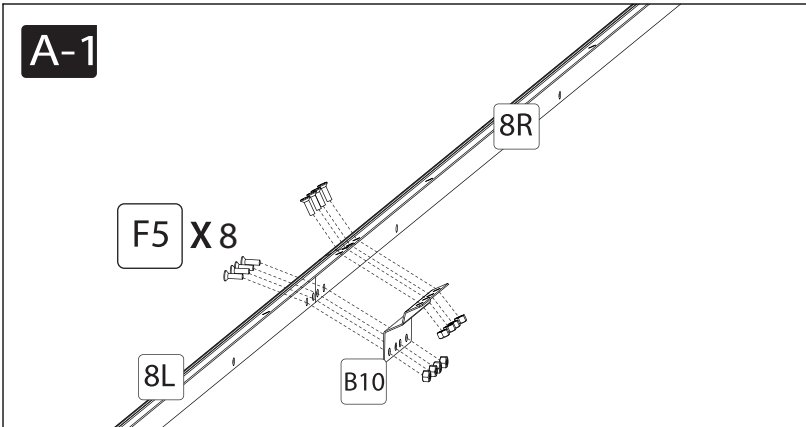
Part No.	Part	Qty.
4R		2
4L		2
5		1
6		1
B9		2
F4		20
F5		16



Part No.	Part	Qty.
7		4

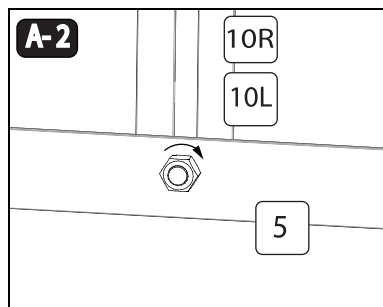
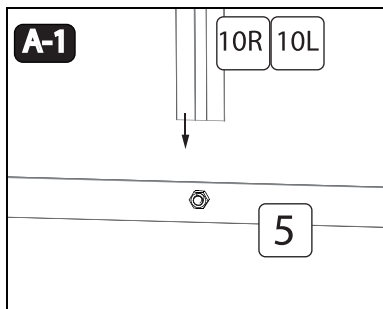
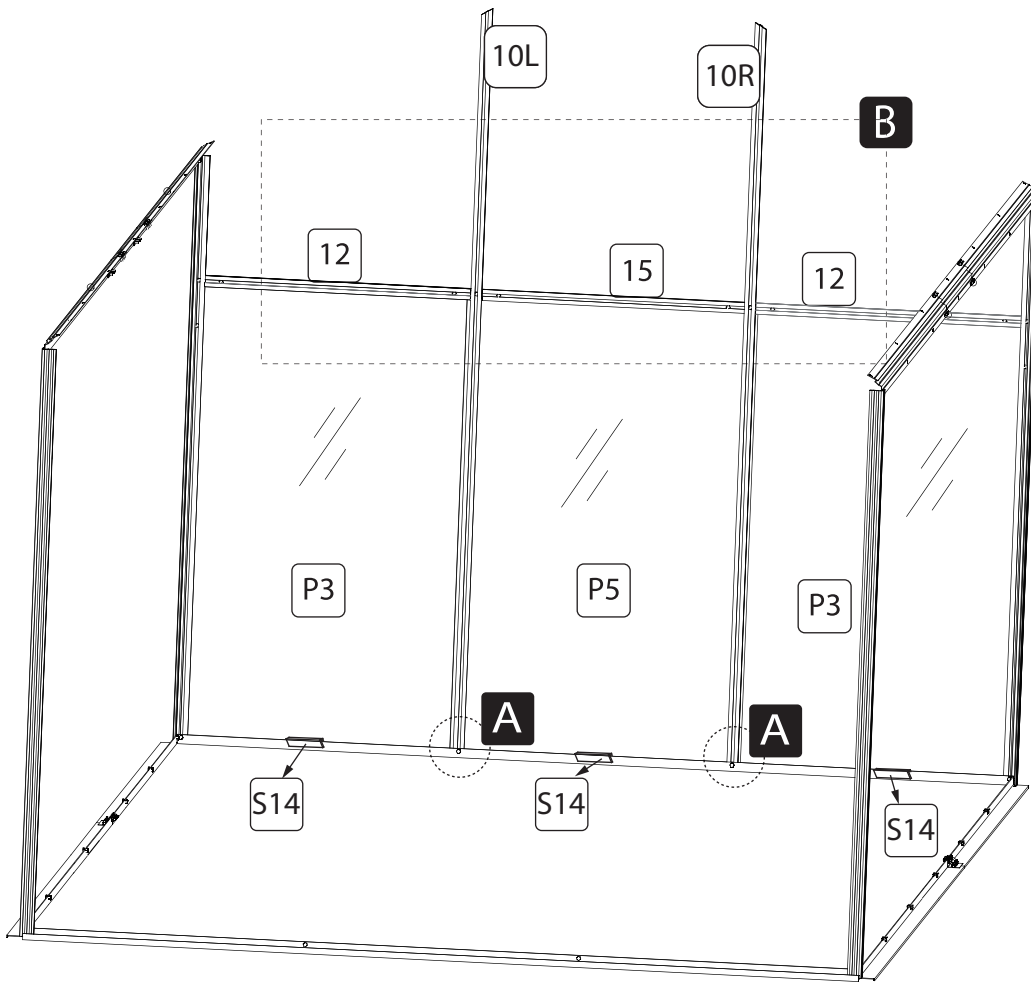


inside

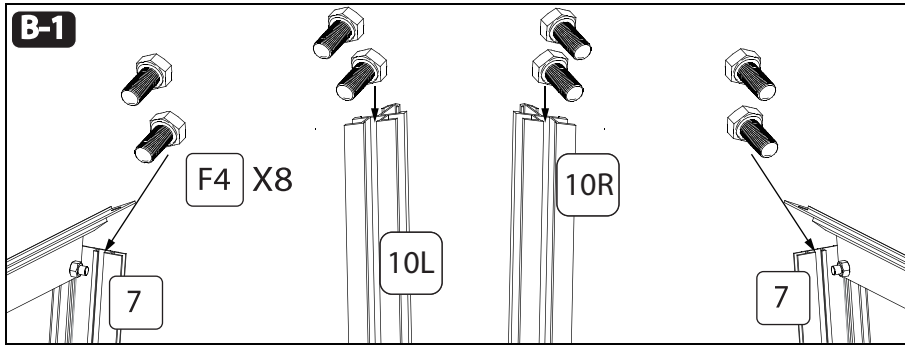


Part No.	Part	Qty.
8L		2
8R		2
B10		2
F4		4
F4		4
F5		16

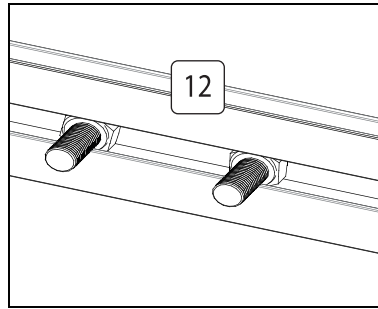
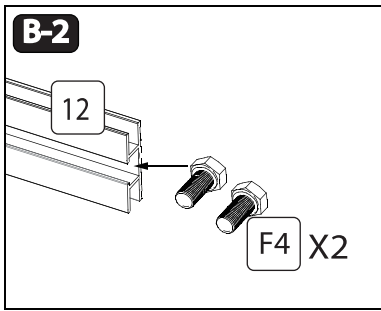
Reserve 1 pieces of F4 for installing 22



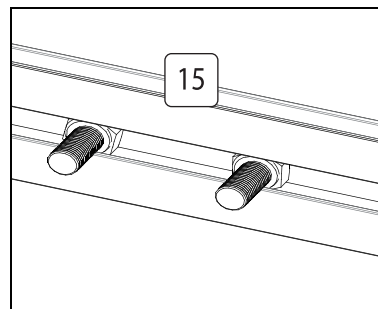
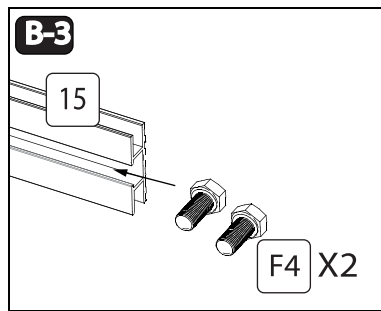
Part No.	Part	Qty.
10L		1
10R		1
12		2
15		1
P3		2
P5		1
F4		14
S14		3



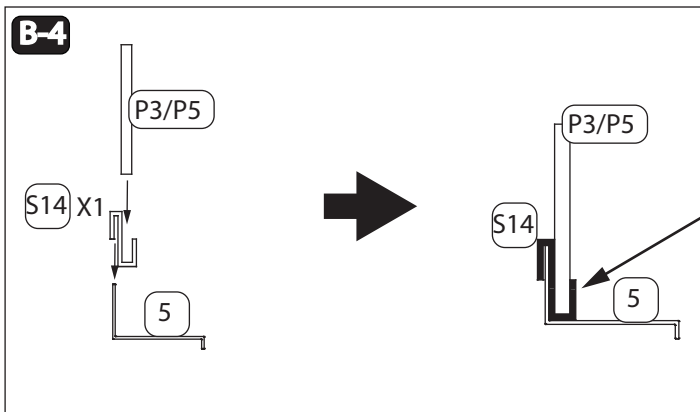
inside



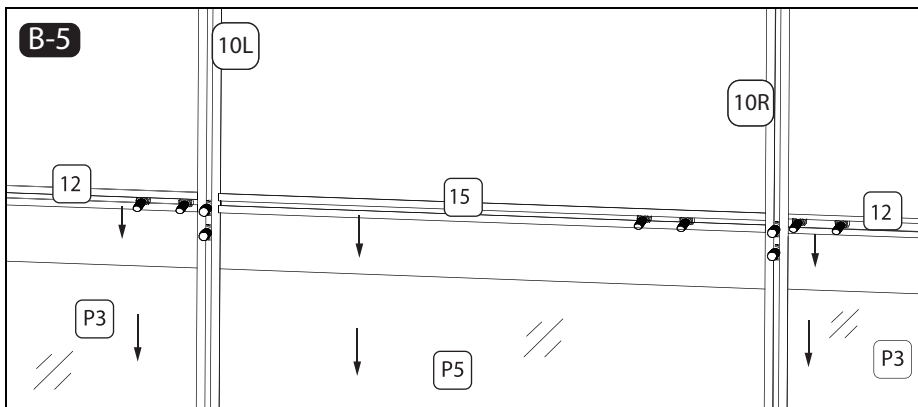
2X



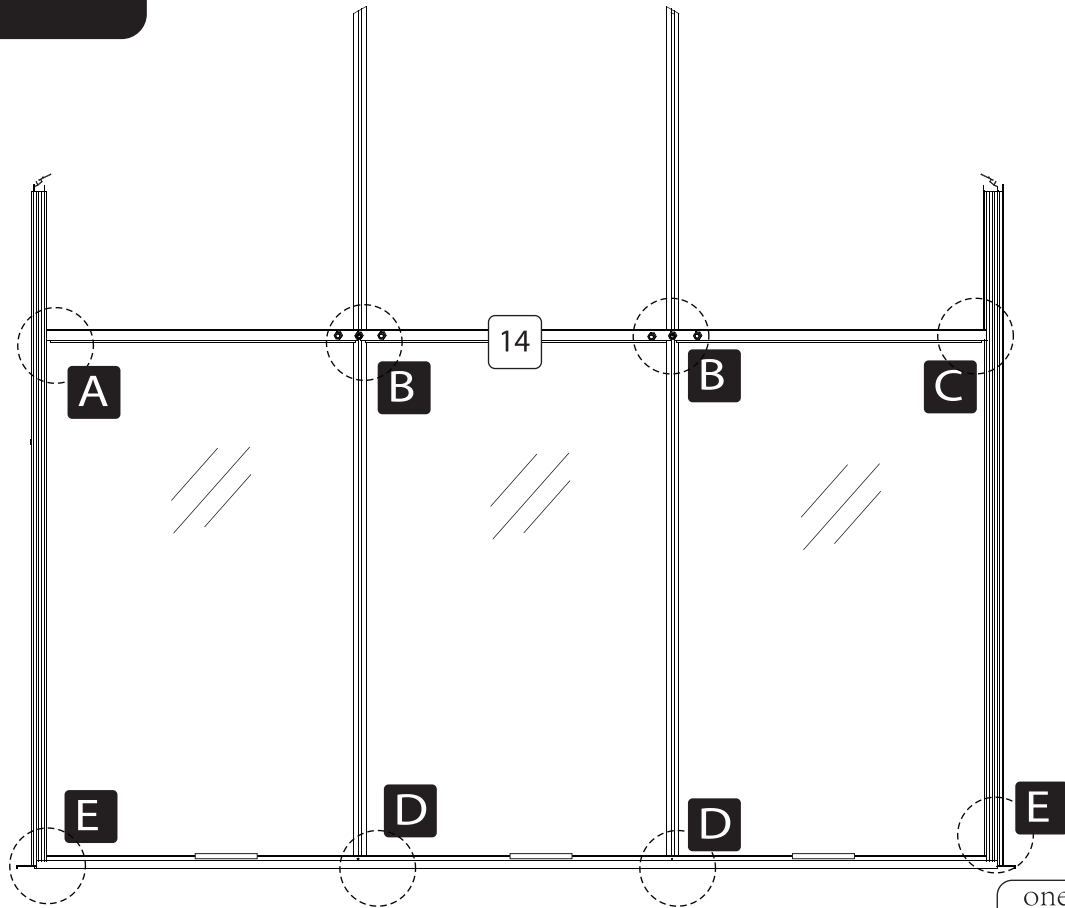
1X



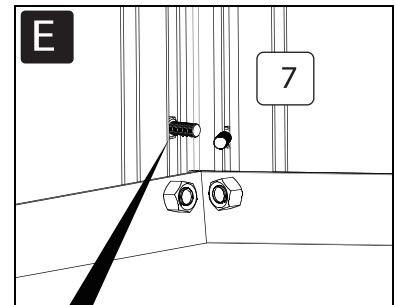
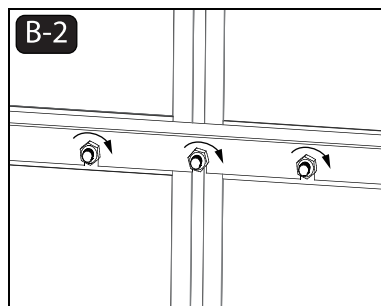
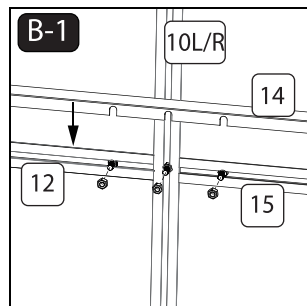
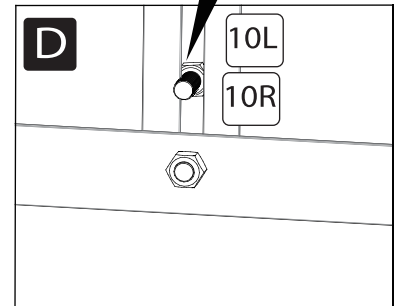
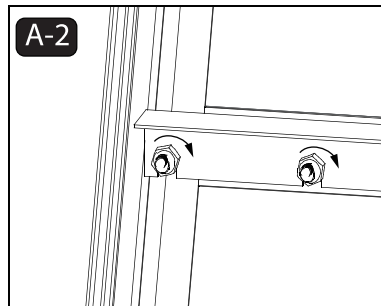
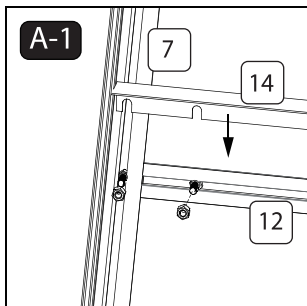
Put one S14 on each polytriester plate



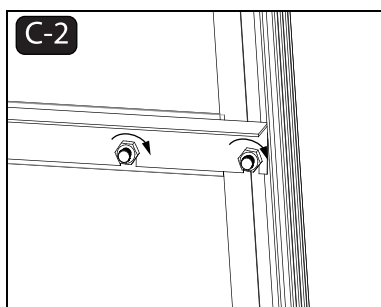
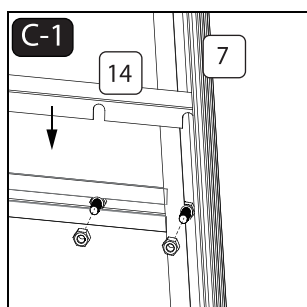
inside



one extra bolt F4 for part 22 later

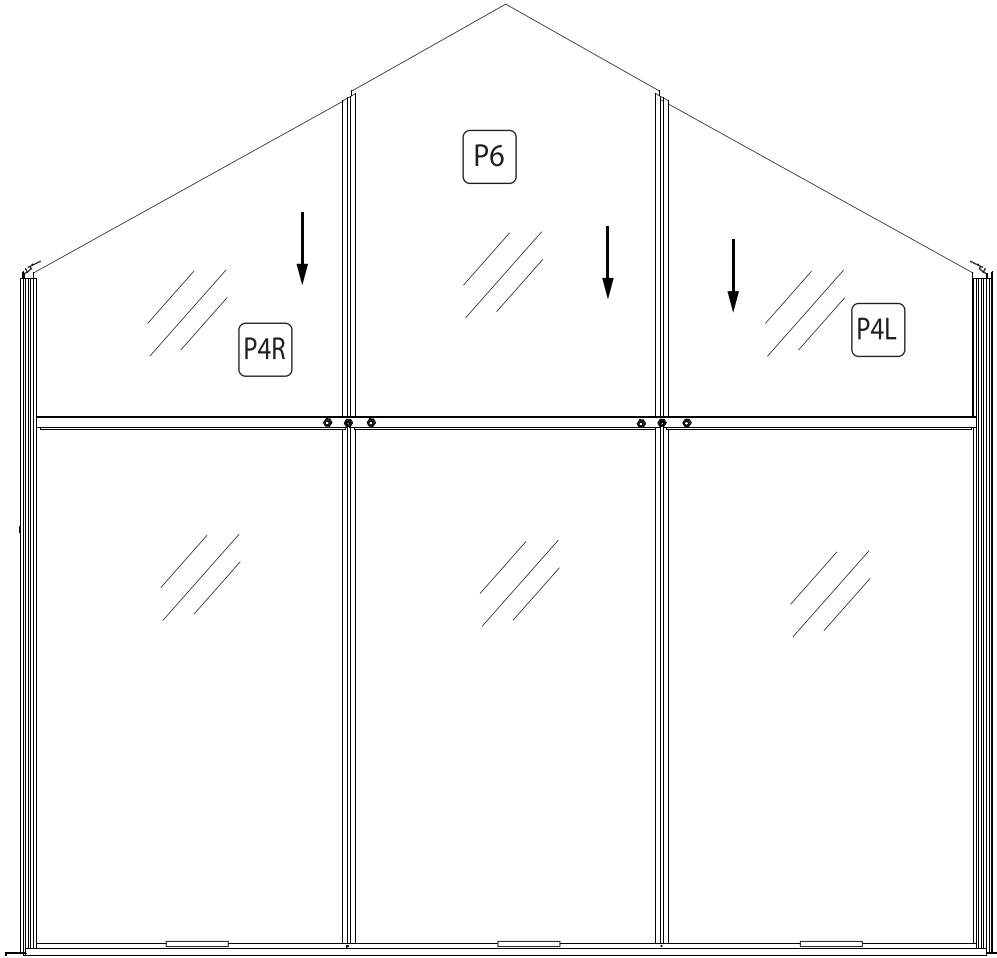


two extra bolts F4 in two grooves of part 7 for part 22 23 later

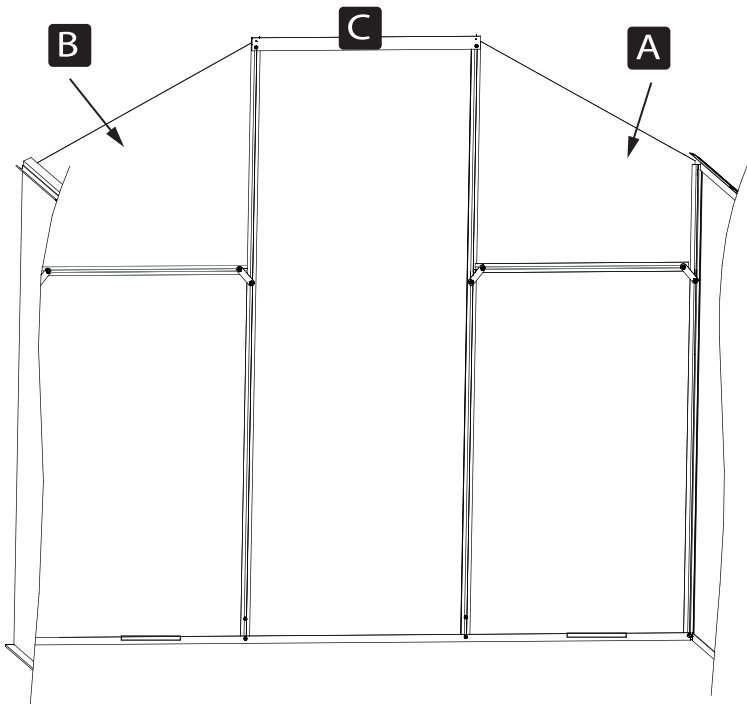
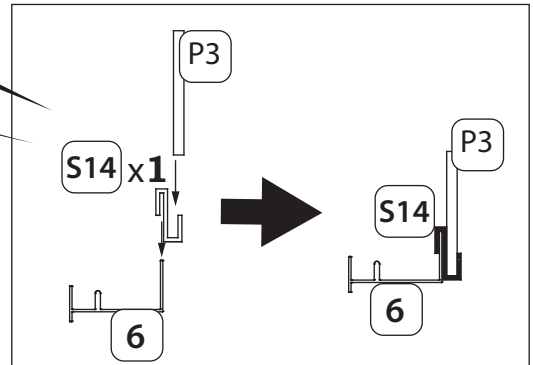
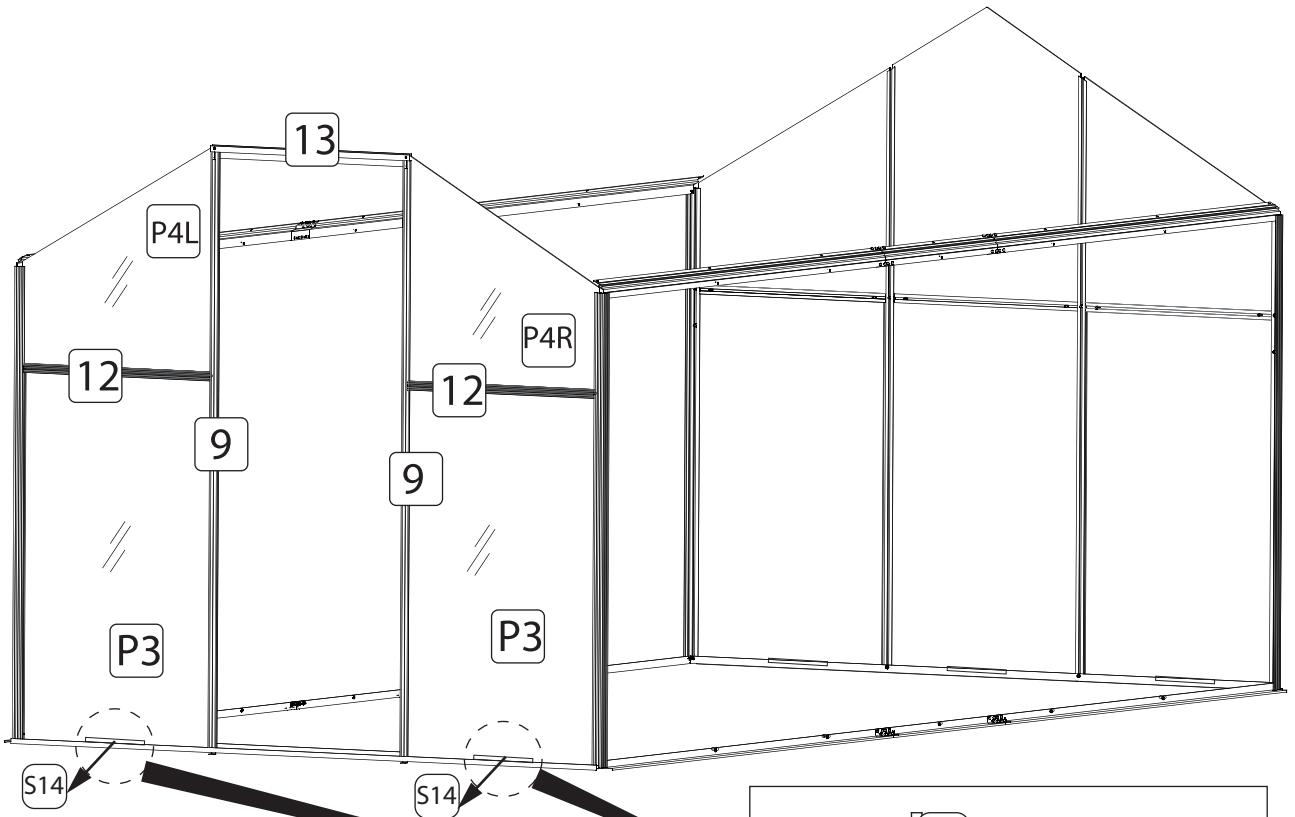


Part No.	Part	Qty.
14		1
F4		10

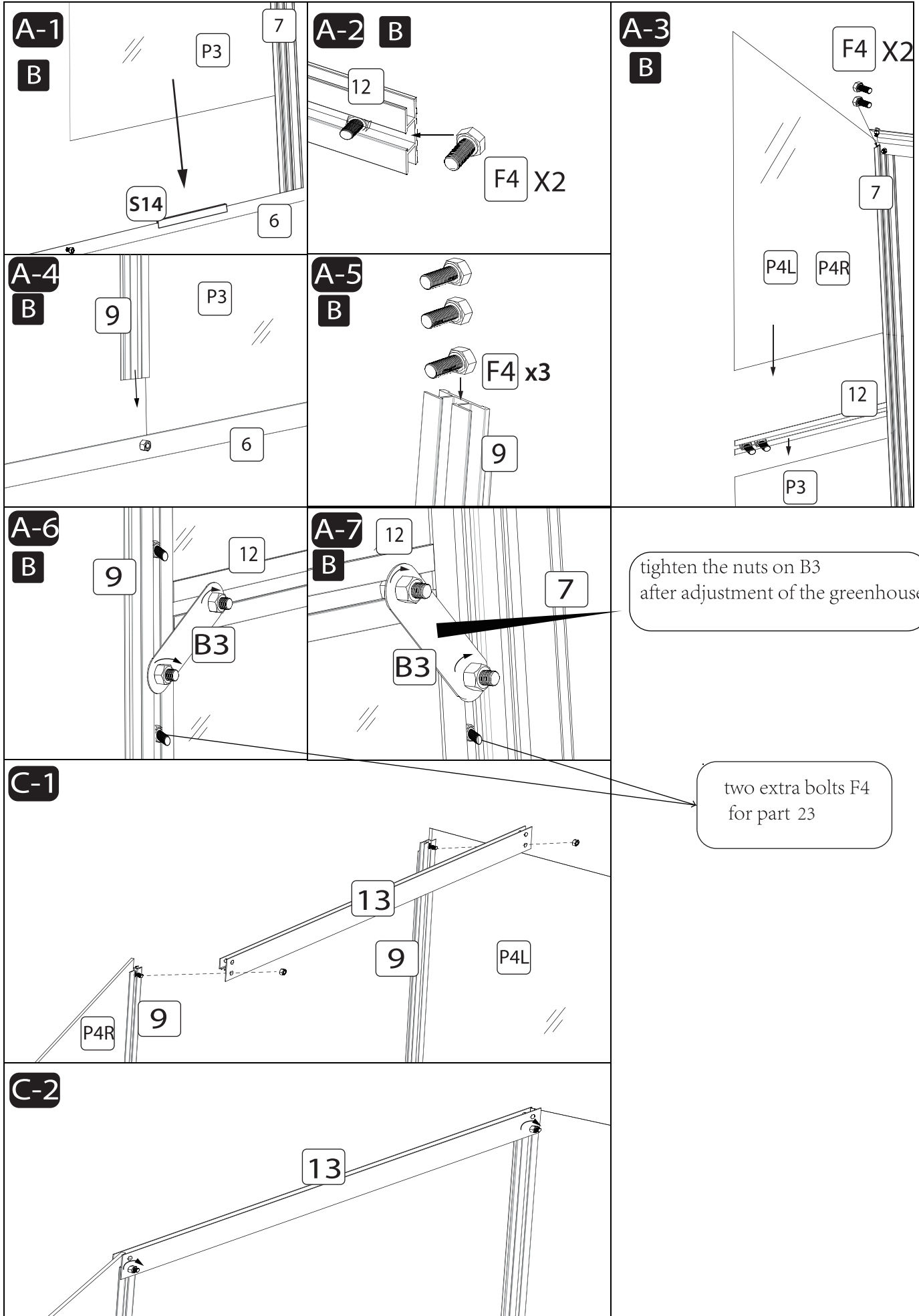
inside

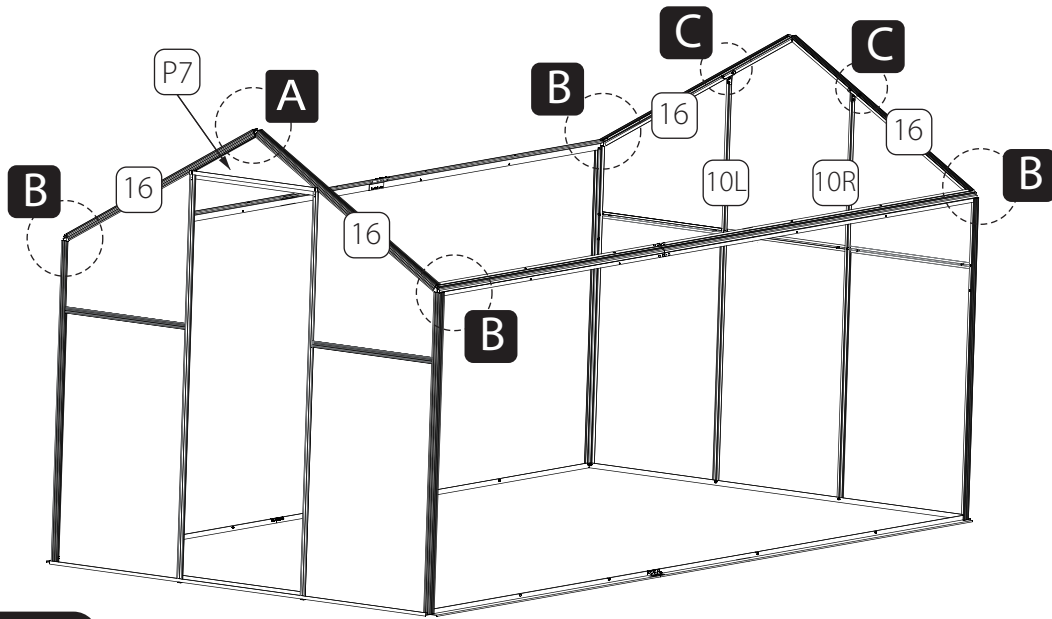


Part No.	Part	Qty.
P4R		1
P4L		1
P6		1

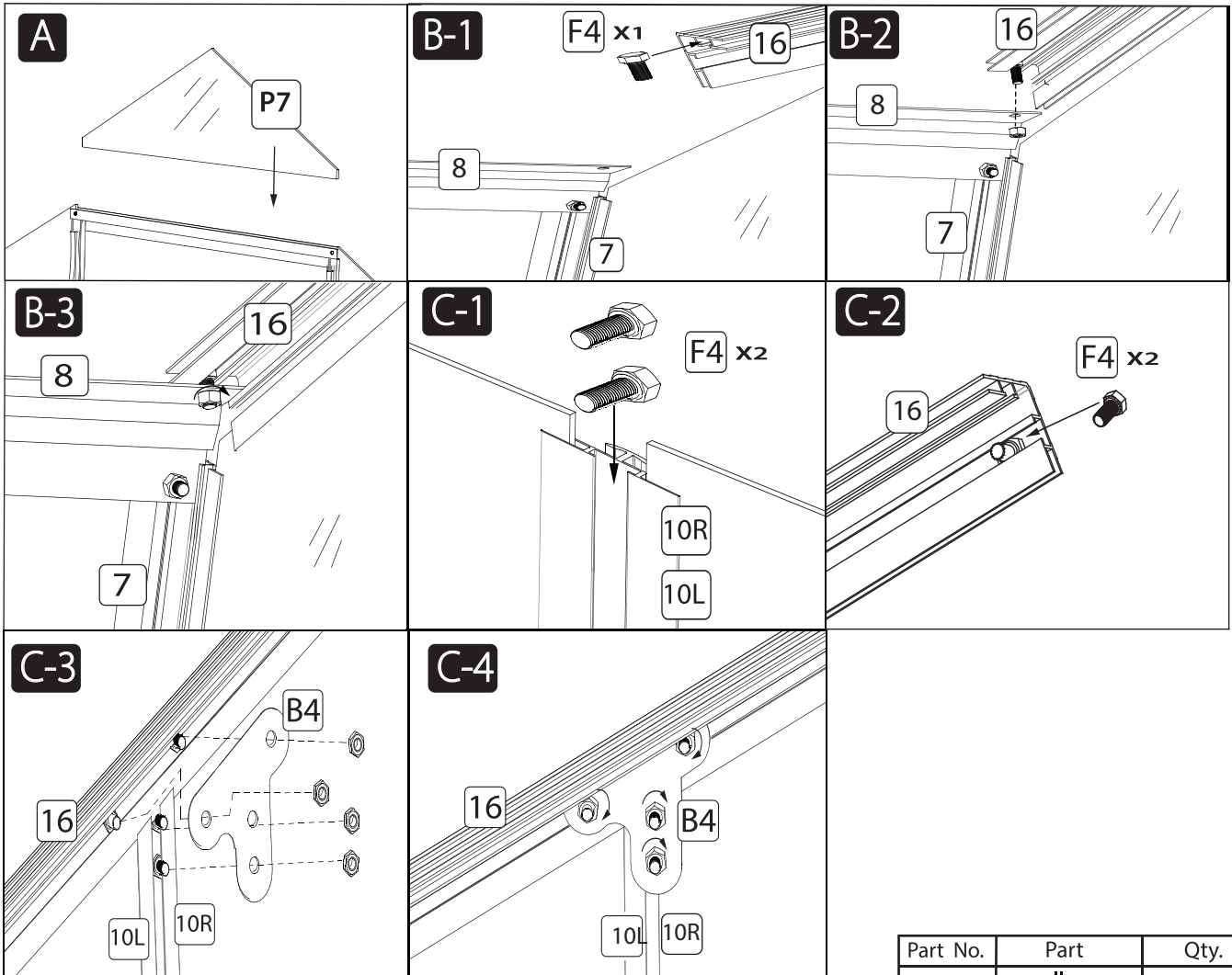


Part No.	Part	Qty.
9		2
12		2
13		1
B3		4
P3		2
P4R		1
P4L		1
F4		10
F4		4
S14		2

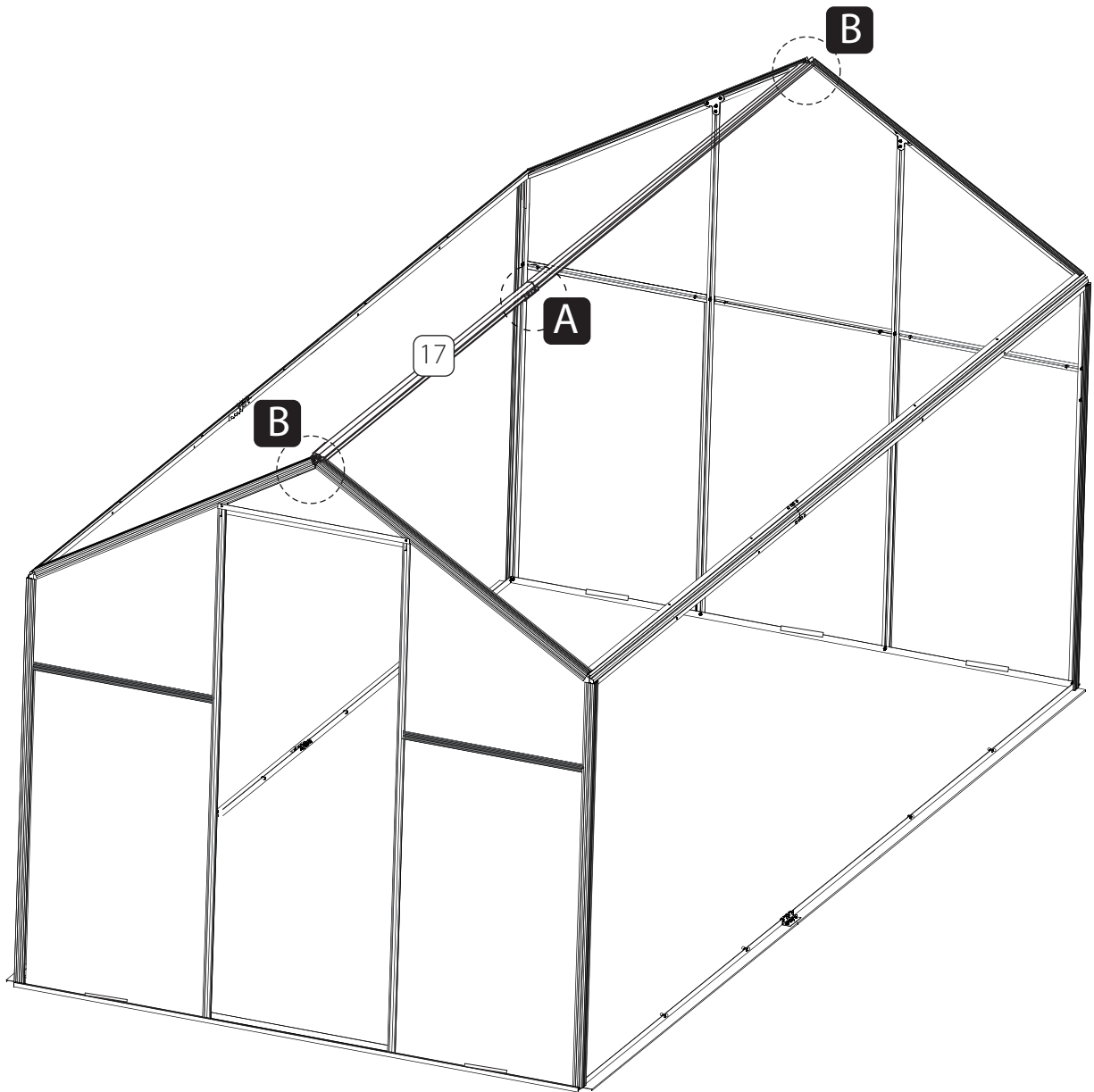




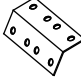

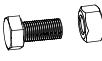


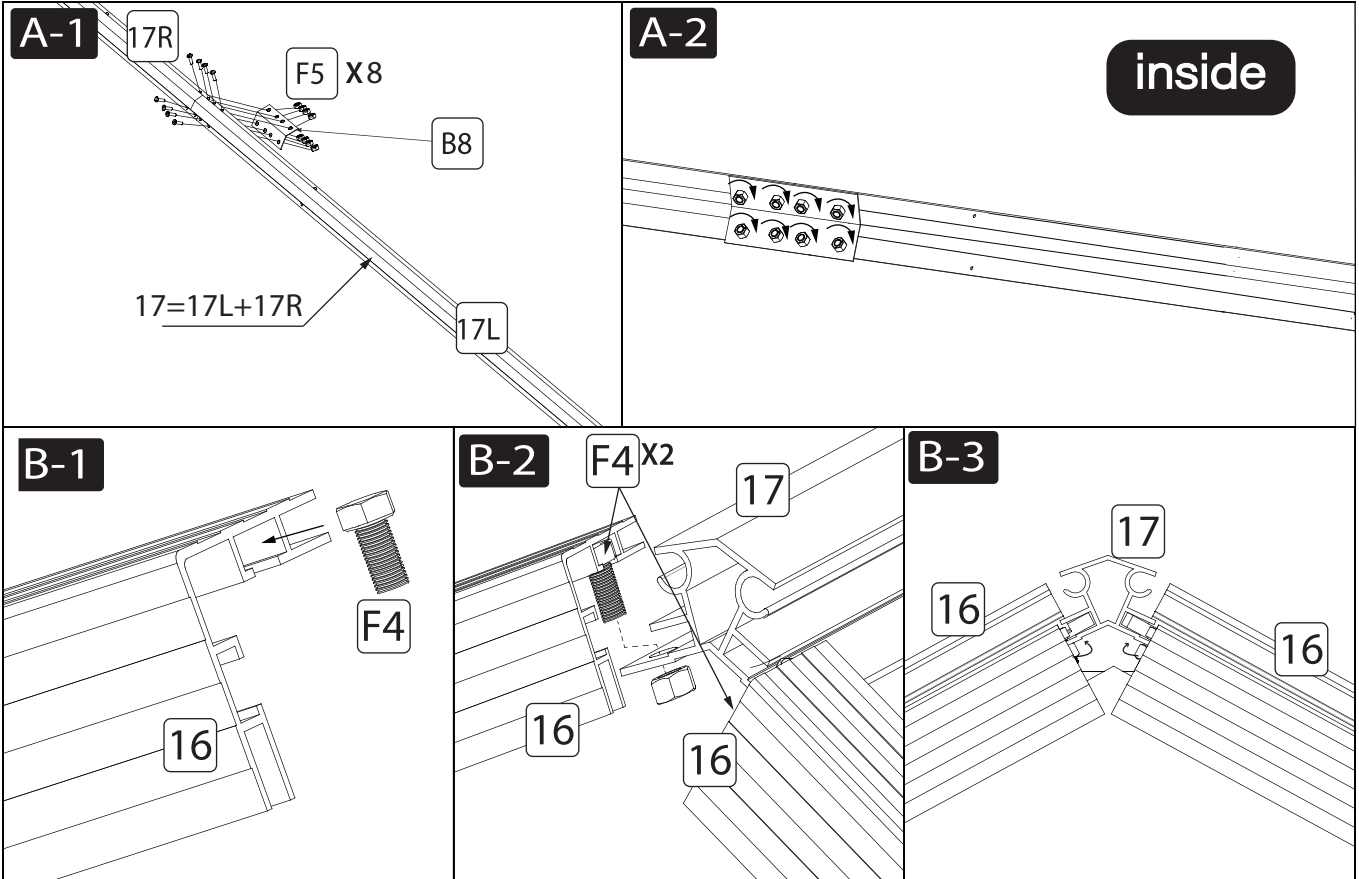
**inside**

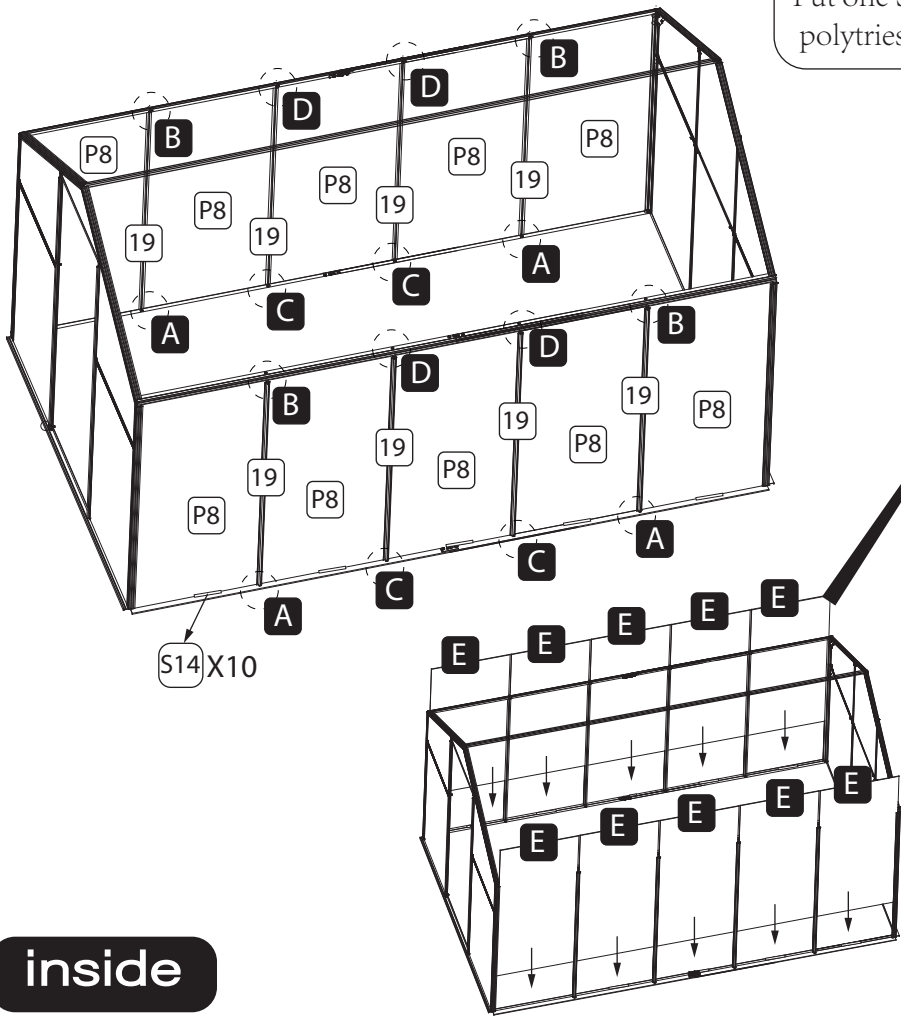


Part No.	Part	Qty.
16		4
P7		1
B4		2
F4		12

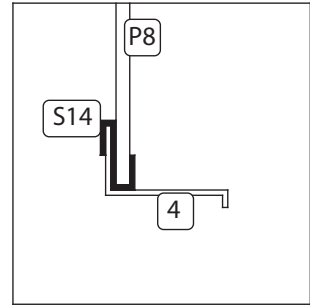
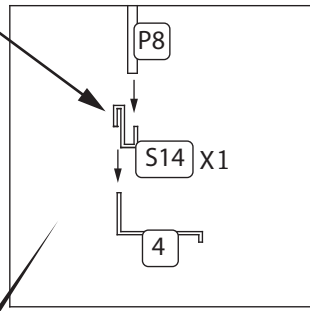


Part No.	Part	Qty.
17L		1
17R		1
B8		1
F5		8
F4		4

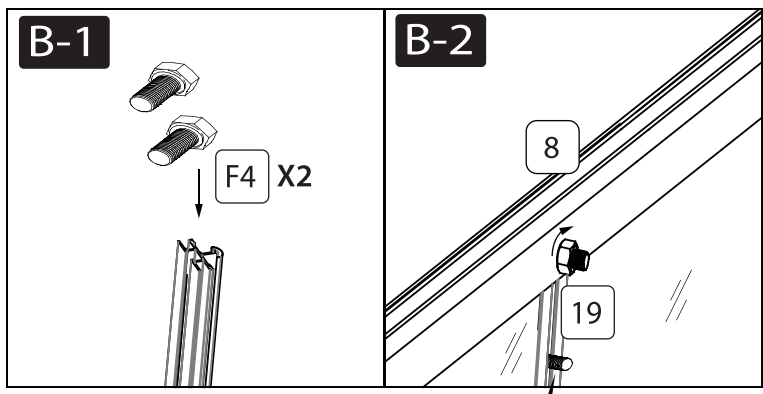
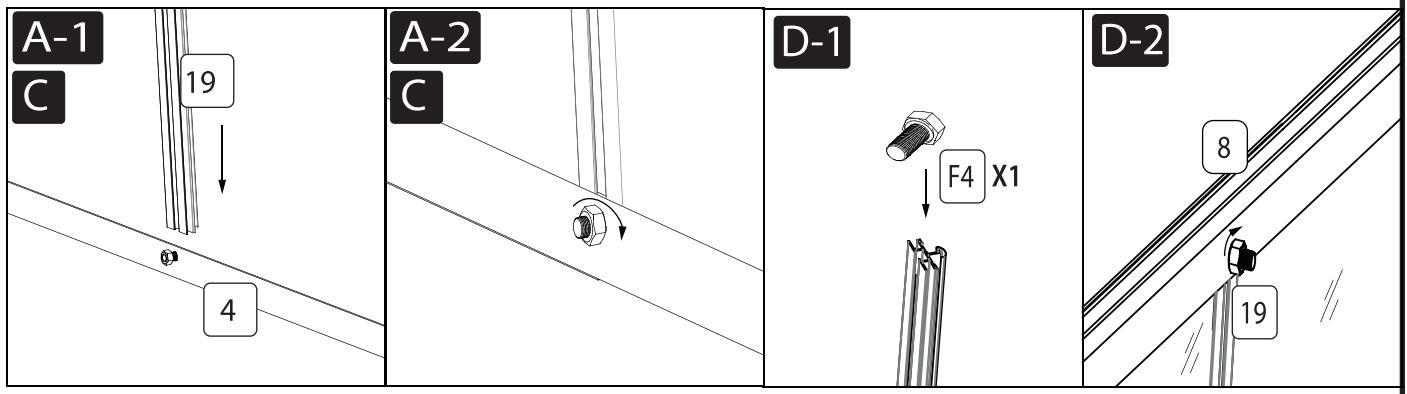




Put one S14 on each polytriester plate

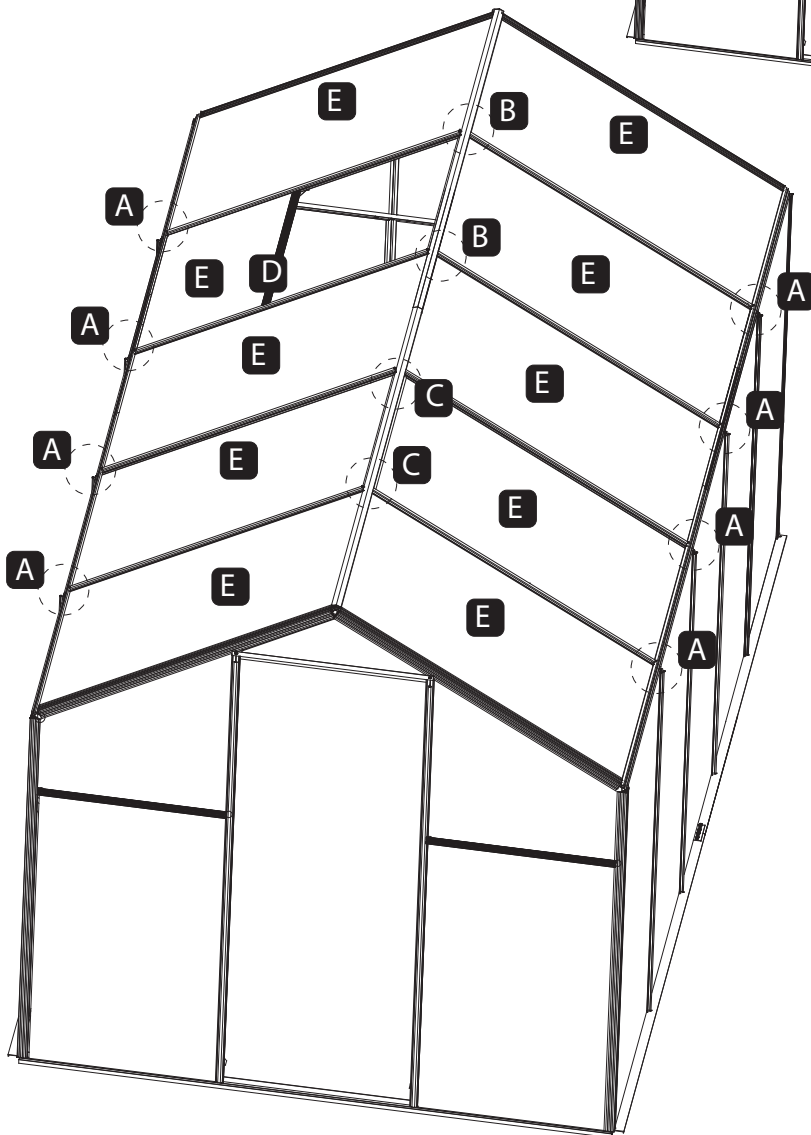
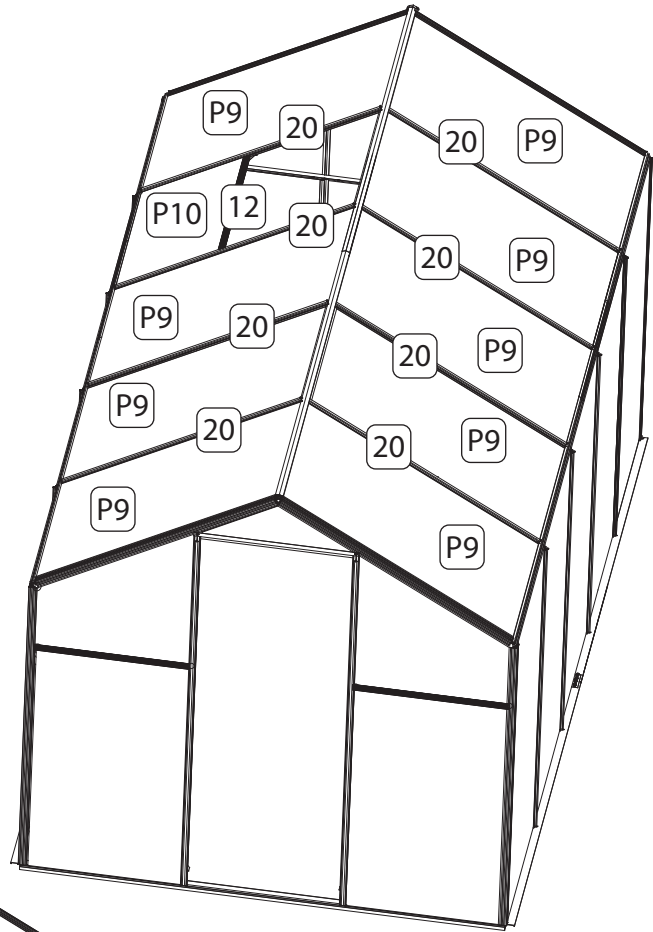






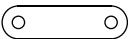


**inside**



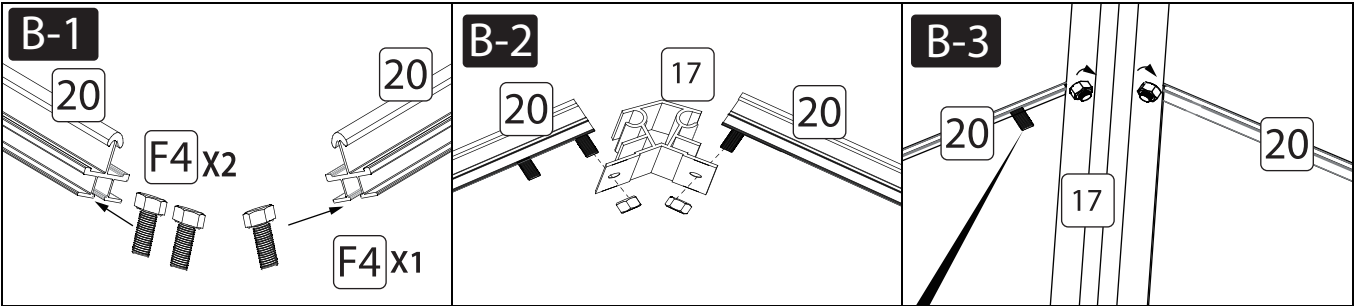
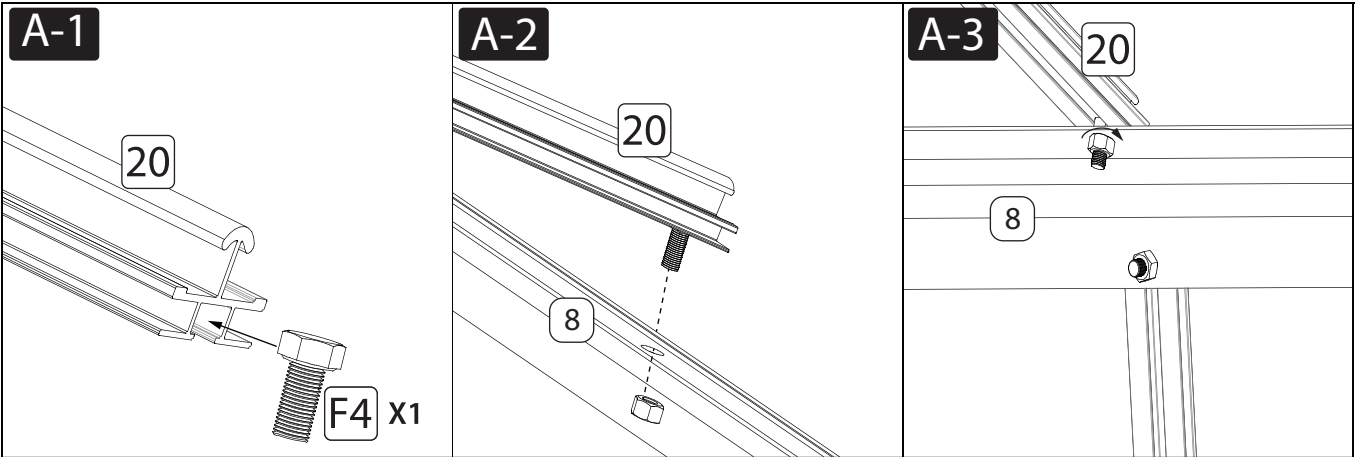
Reserve 1 pieces of F4 for installing 22

Part No.	Part	Qty.
P8		10
19		8
F4		8
F4		4
S14		10



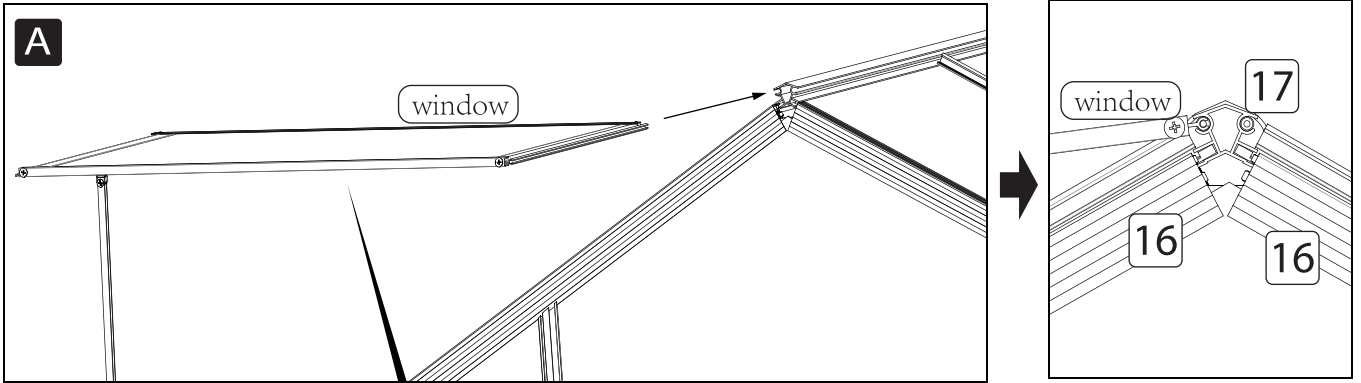
Part No.	Part	Qty.
12		1
20		8
P9		9
P10		1
B3		2
B7		1
F4		22

inside

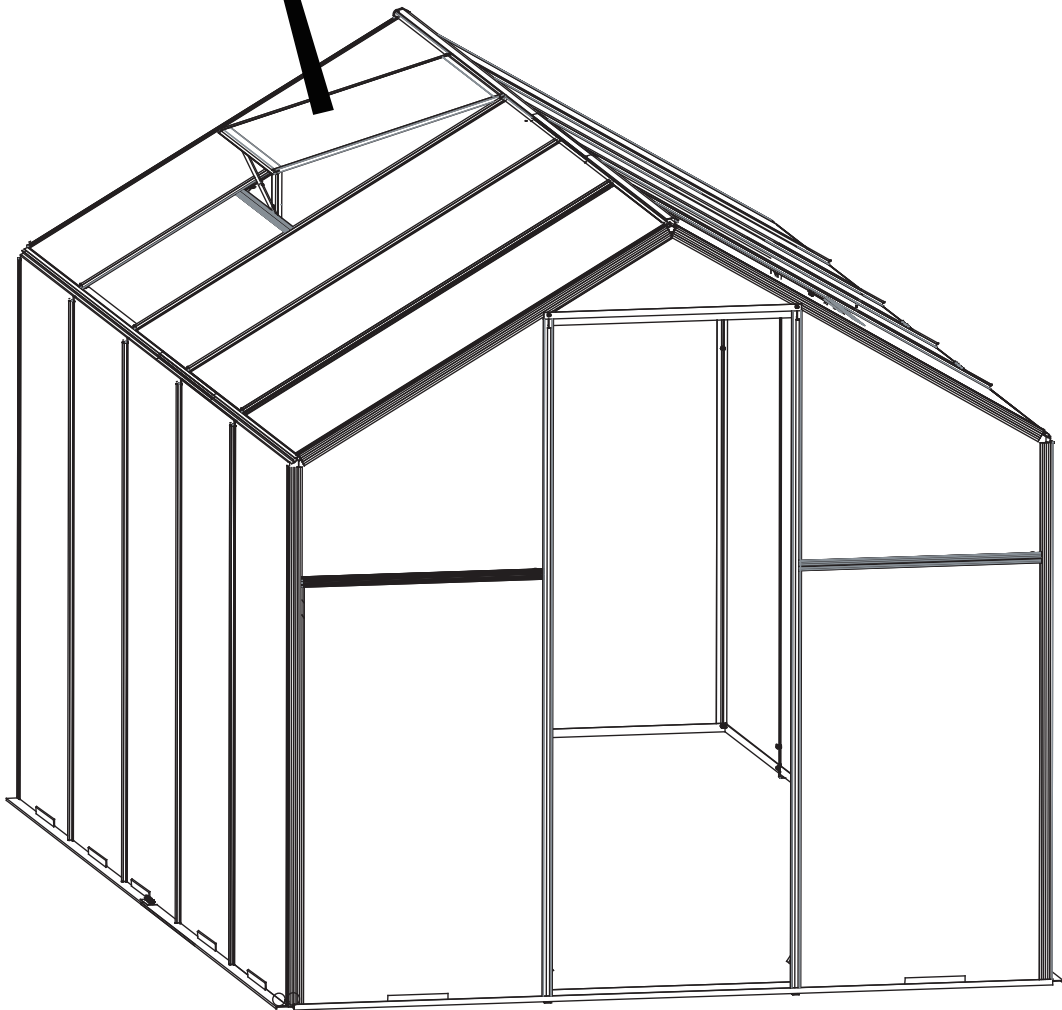


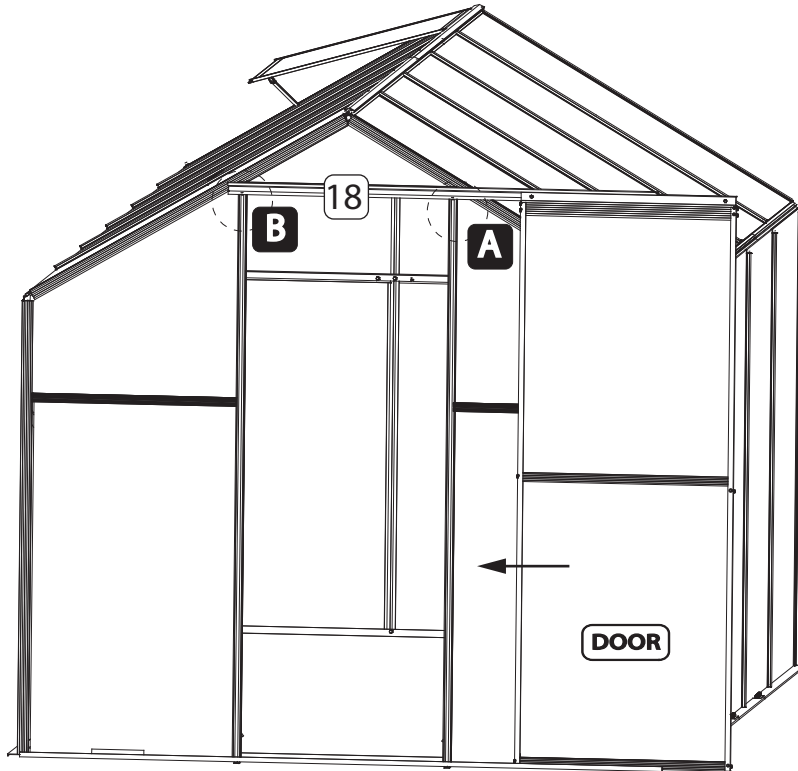
Reserve 1 pieces of F4 for installing B3





Windows' position can be adjusted optionally





**inside**

**A-1**

**A-2**  
**B-1**

**A-3**

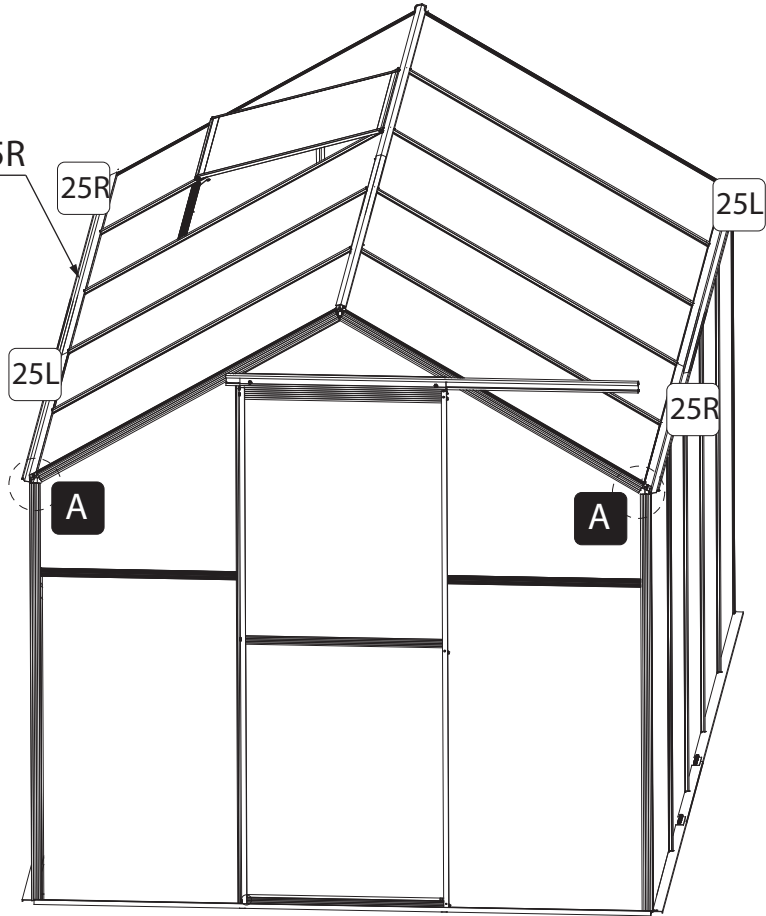
**A-4**  
**B-2**

**A-5**

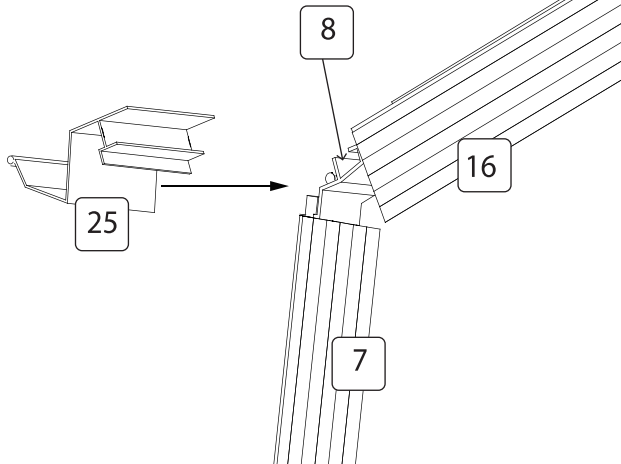
tighten the nuts on B4 after adjustment of the greenhouse

Part No.	Part	Qty.
18		1
B4		2
F6		2
F4		4

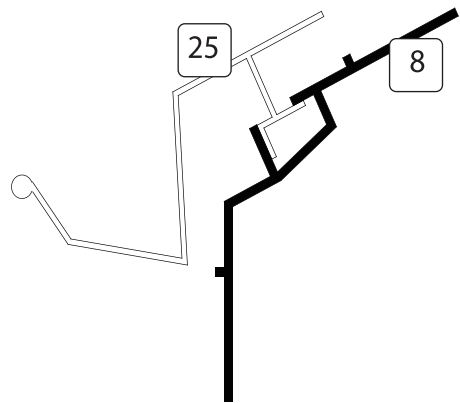
25=25L+25R



A-1

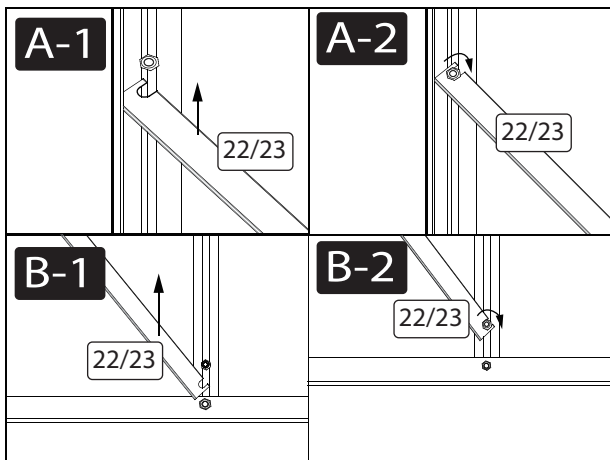
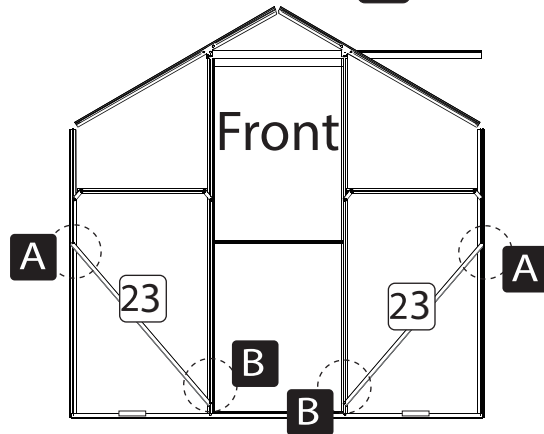
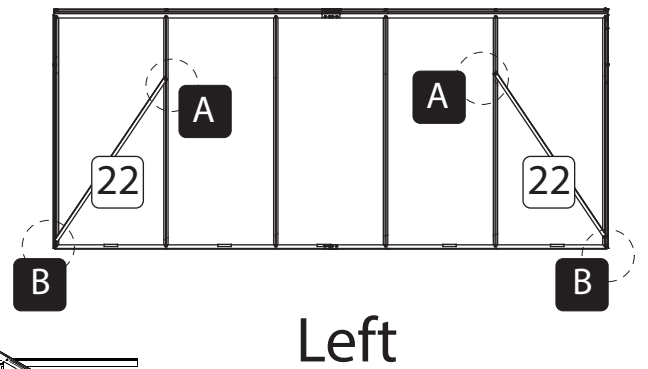
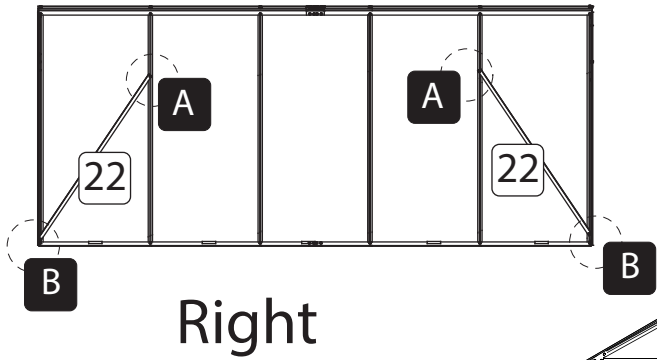
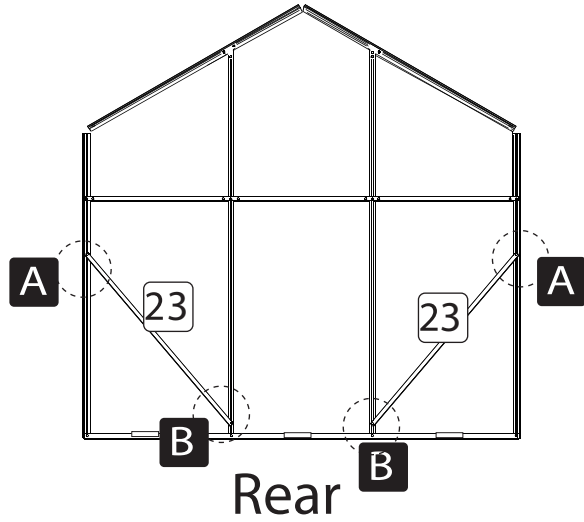


A-2

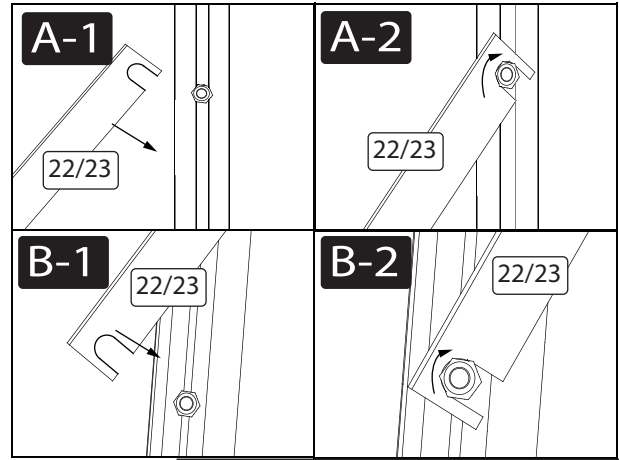


Part No.	Part	Qty.
25L		2
25R		2

inside

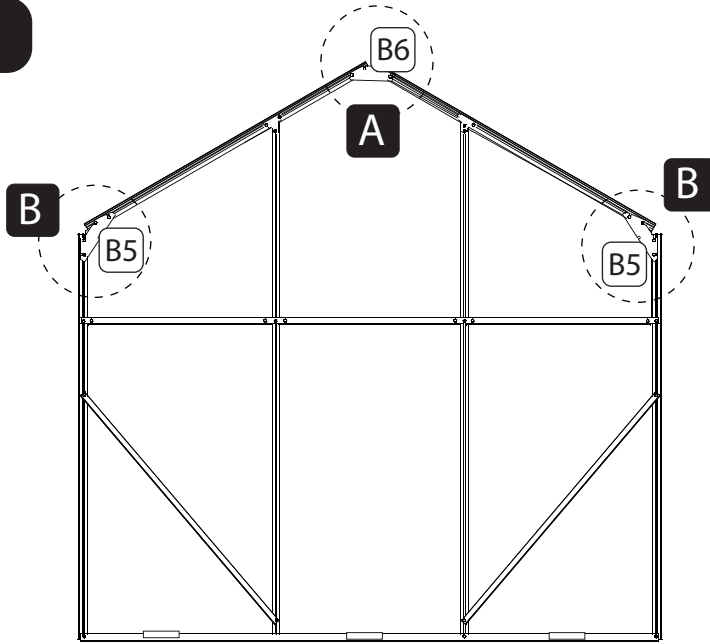


or

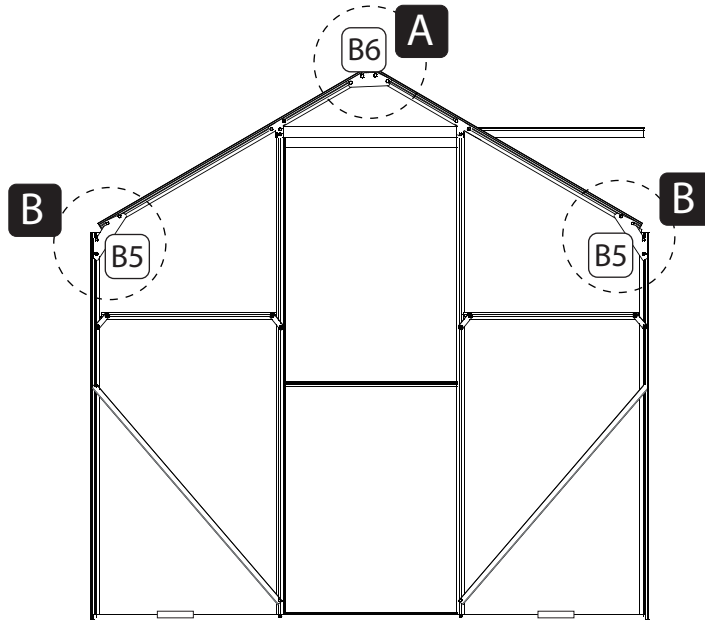


Part No.	Part	Qty.
22		4
23		4
F4		16

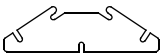
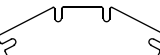

inside



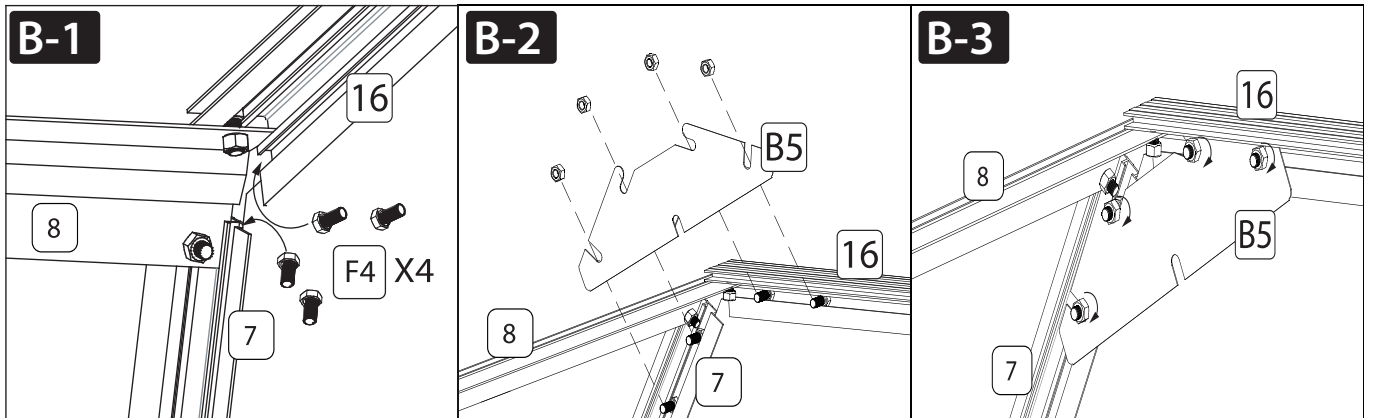
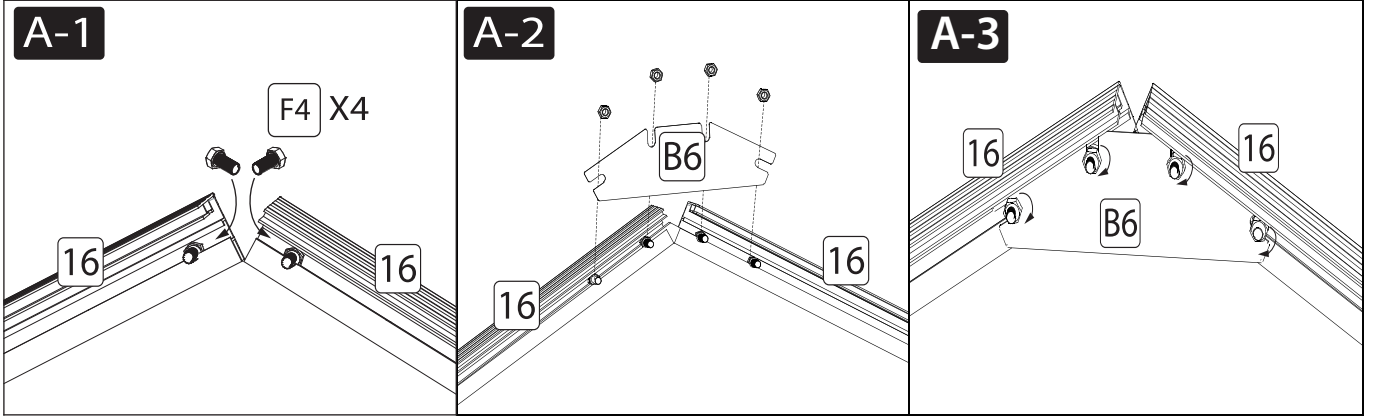
Rear

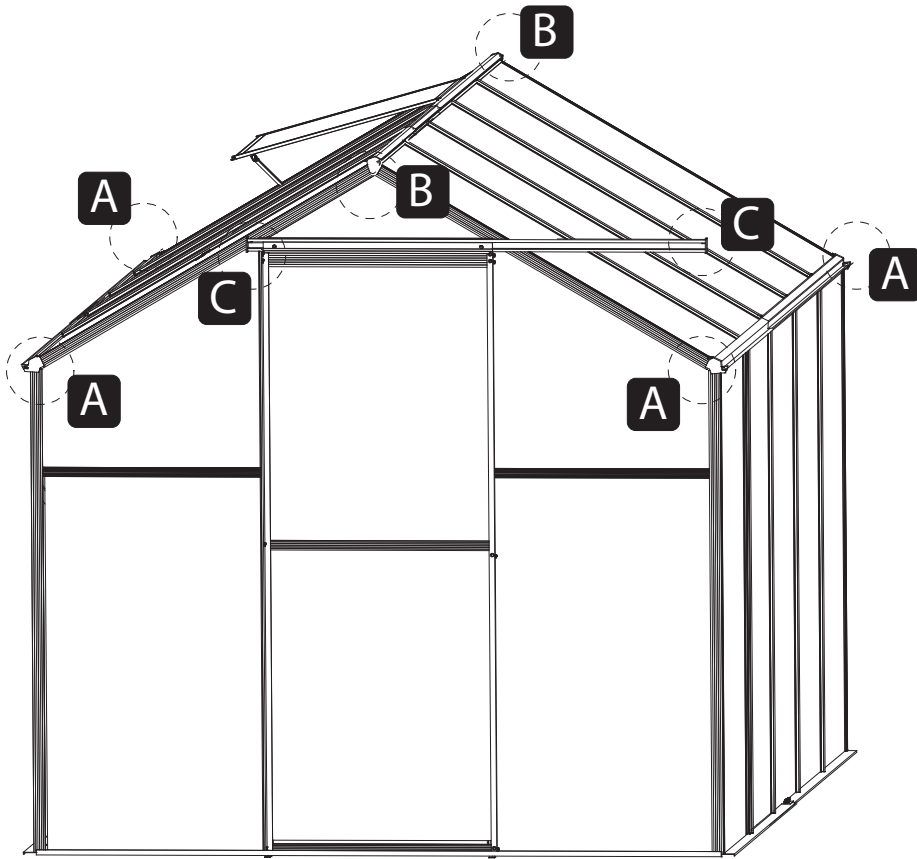


Front

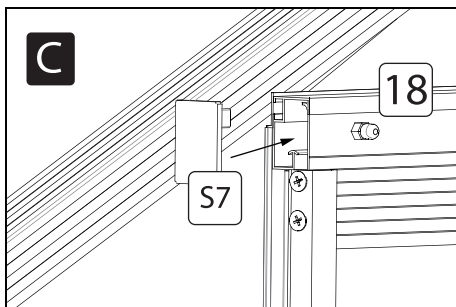
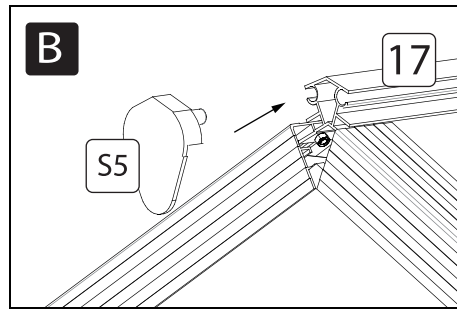
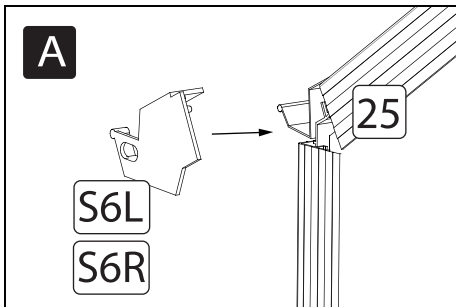
Part No.	Part	Qty.
B5		4
B6		2
F4		24


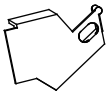


inside

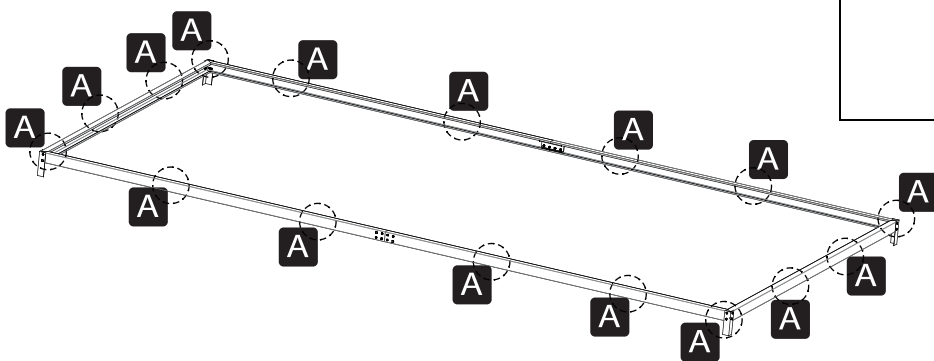
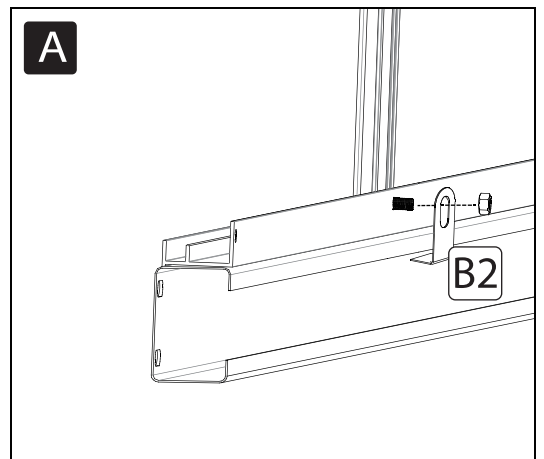
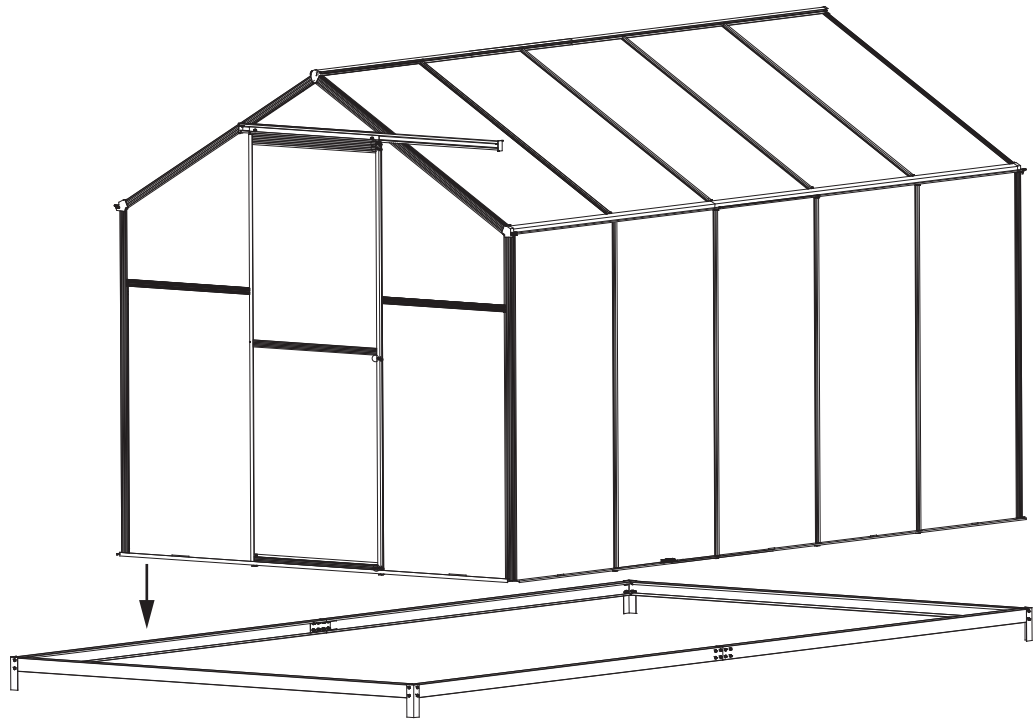





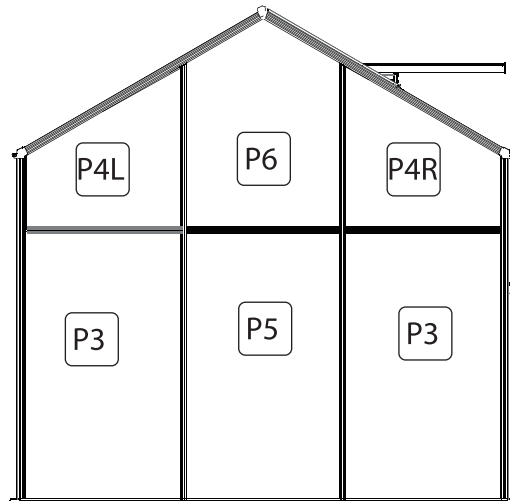
**outside**



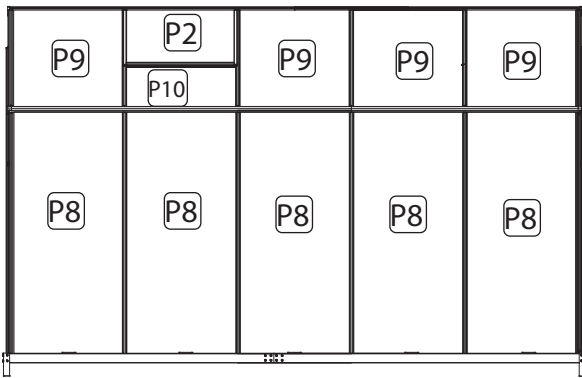
Part No.	Part	Qty.
S6L		2
S6R		2
S5		2
S7		2



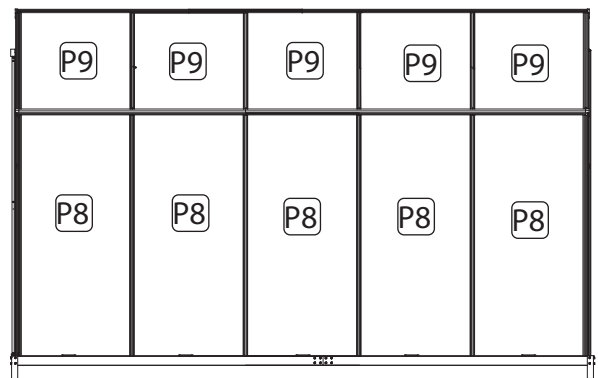
Part No.	Part	Qty.
B2		16



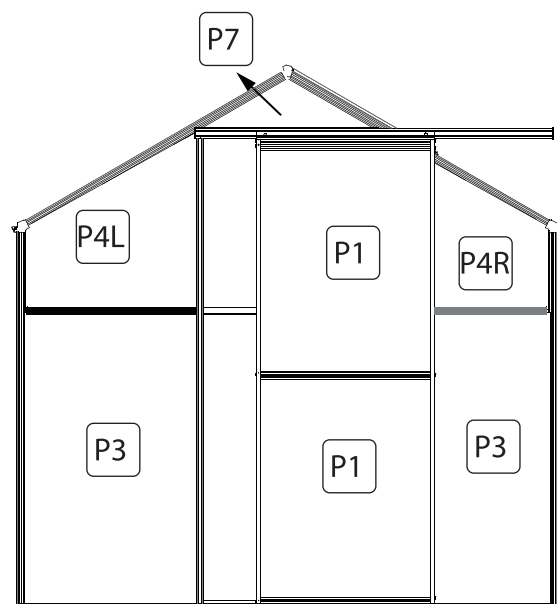
Rear



Left



Right



Front