



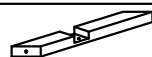








# ASSEMBLY INSTRUCTION

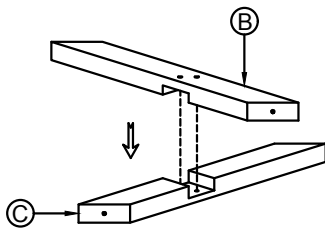
## MODEL: #70000T/ 70001ST DINING TABLE

Thank you for purchasing this quality product. Be sure to check all packing material carefully for small parts which may have come loose inside the carton during shipment. Separate, identify and count all parts and metal hardware. Compare with parts list to be sure all parts are present. If any part(s) are missing or damaged, please contact your local furniture dealer. For efficient and speedy service, please indicate the model number and code letter of part(s) needed.

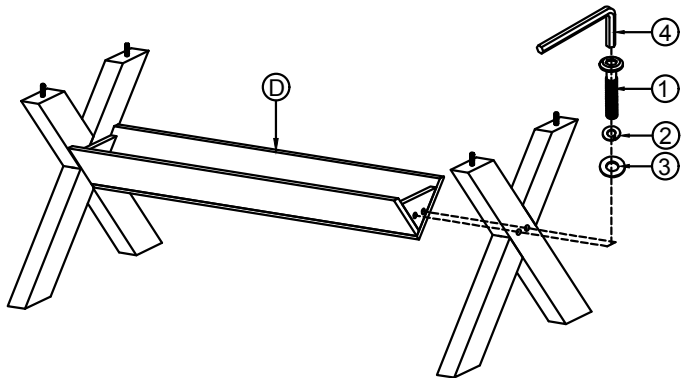
\*\*\* Do not fully tighten screws until fully assembled \*\*\*

| PARTS LIST |                  |   |       | HARDWARE LIST |                             |   |       |
|------------|------------------|---|-------|---------------|-----------------------------|---|-------|
| NO         | DESCRIPTION      | SKETCH  | QTY   | NO            | DESCRIPTION                 | SKETCH  | QTY   |
| A          | Table Top        |  | 1 Pc  | 1             | Allen Bolt Ø5/ 16*65mm      |  | 4 Pcs |
| B          | Legs             |  | 2 Pcs | 2             | Spring Washer Ø5/ 16*13*2mm |  | 8 Pcs |
| C          | Legs             |  | 2 Pcs | 3             | Flat Washer Ø5/ 16*19*2mm   |  | 8 Pcs |
| D          | Middle Stretcher |  | 1 Pc  | 4             | Allen Key M4                |  | 1 Pc  |
| E          | Wooden cap       |  | 2 Pcs | 5             | Hex Nut Ø5/16*15*6*12 mm    |  | 4 Pcs |
|            |                  |   |       | 6             | Spanner Wrench M12          |  | 1 Pc  |

### Step 1



### Step 2



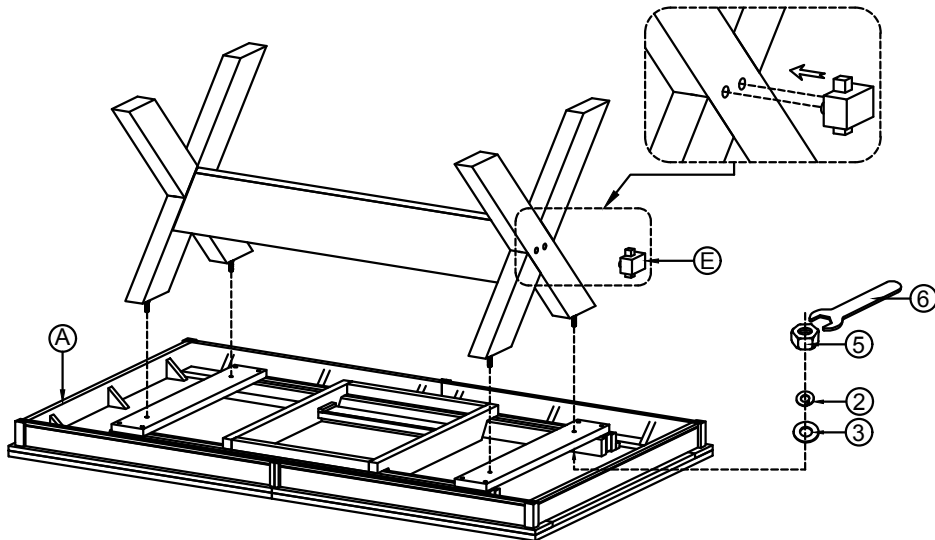
# ASSEMBLY INSTRUCTION

## MODEL: #70000T/ 70001ST DINING TABLE

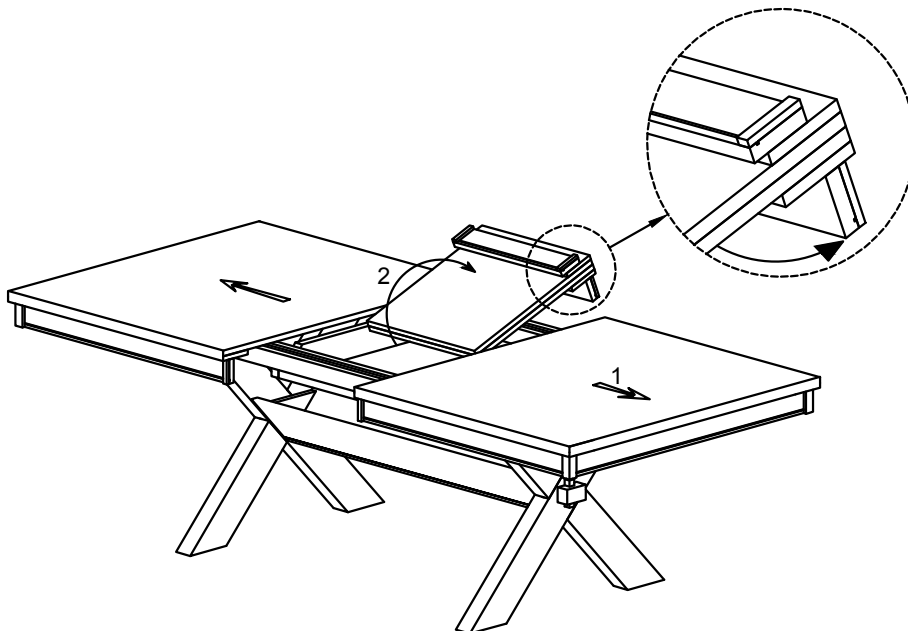
Thank you for purchasing this quality product. Be sure to check all packing material carefully for small parts which may have come loose inside the carton during shipment. Separate, identify and count all parts and metal hardware. Compare with parts list to be sure all parts are present. If any part(s) are missing or damaged, please contact your local furniture dealer. For efficient and speedy service, please indicate the model number and code letter of part(s) needed.

\*\*\* Do not fully tighten screws until fully assembled \*\*\*

### Step 3



### Step 4



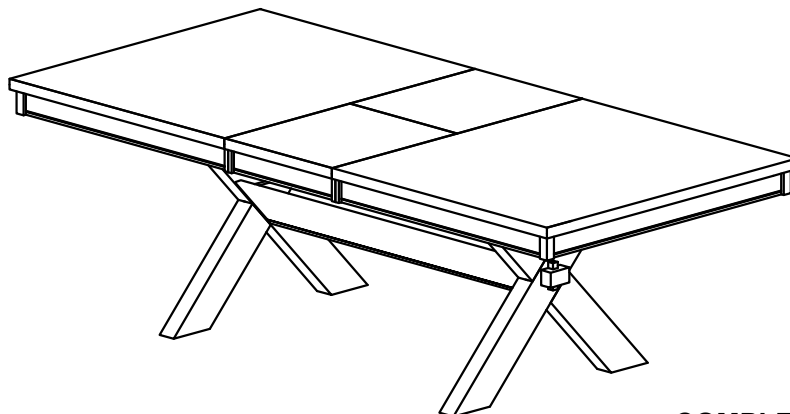
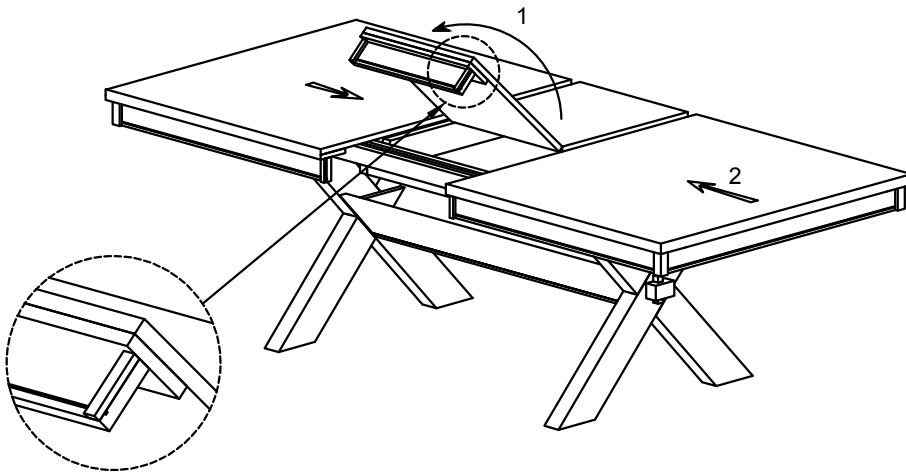
# ASSEMBLY INSTRUCTION

## MODEL: #70000T/ 70001ST DINING TABLE

Thank you for purchasing this quality product. Be sure to check all packing material carefully for small parts which may have come loose inside the carton during shipment. Separate, identify and count all parts and metal hardware. Compare with parts list to be sure all parts are present. If any part(s) are missing or damaged, please contact your local furniture dealer. For efficient and speedy service, please indicate the model number and code letter of part(s) needed.

**\*\*\* Do not fully tighten screws until fully assembled \*\*\***

### Step 5



**COMPLETED**