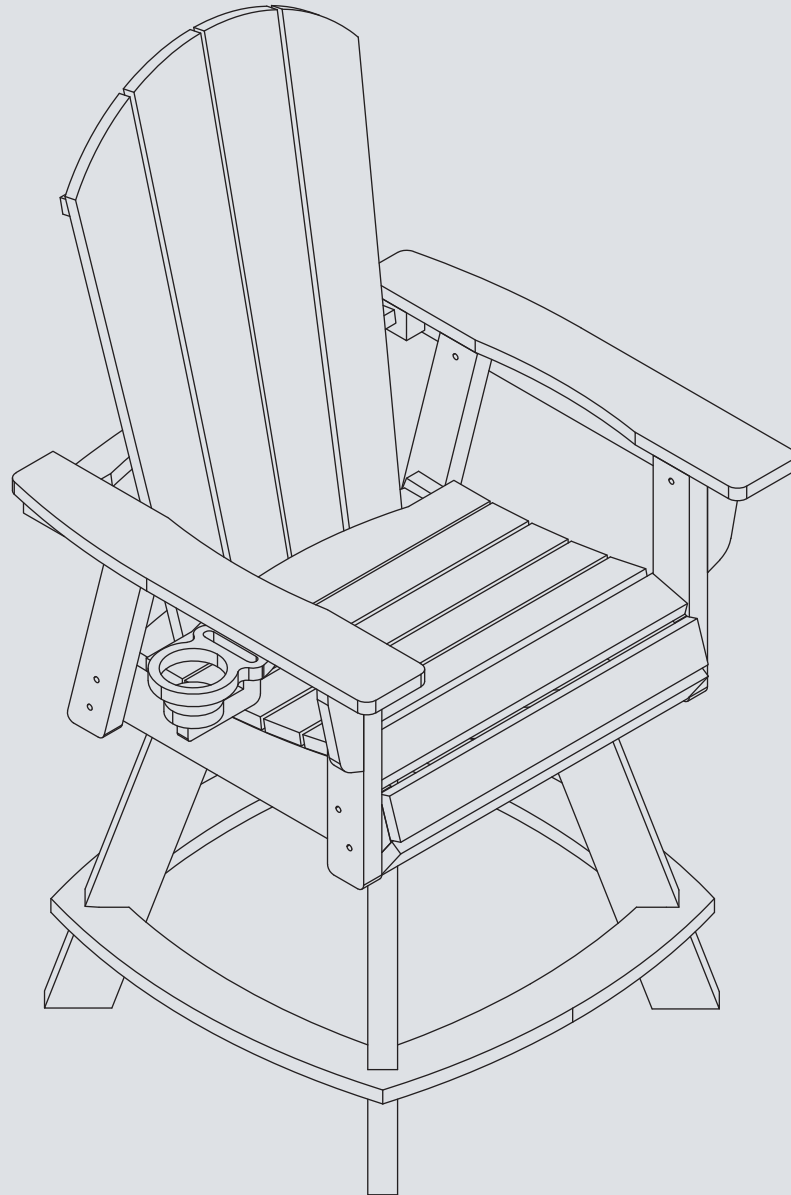


INSTRUCTION MANUAL



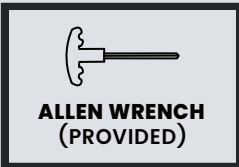
Adirondack Swivel Counter Chair with Cup Holder

! NOTICE

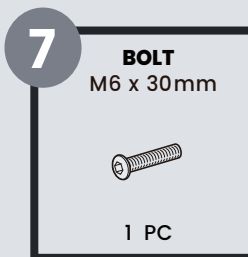
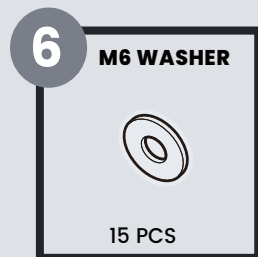
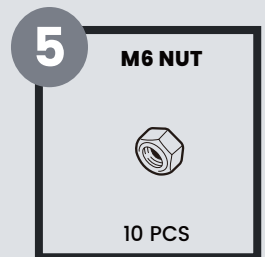
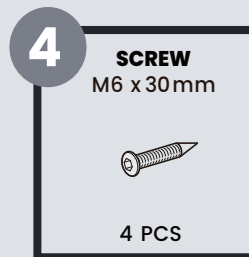
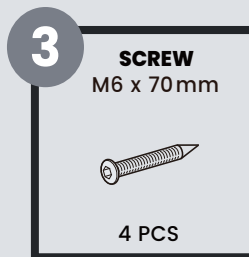
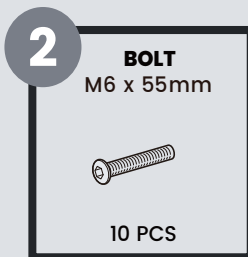
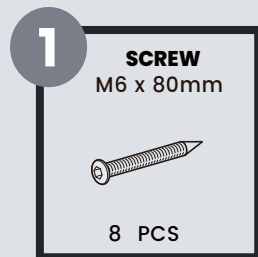
Do not overtighten screws. (Insert all screws before tightening screws.)

- Please do not exceed the weight limitations of this item.
- Do not stand on or use any part of this item as a step ladder.
- Firmly secure all bolts, screws, and nuts before use.
- Reconfirm that all bolts, screws, and nuts are secure every 90 days.
- Do not use or store this item in the proximity of open flame or flammable/combustible chemicals.
- Be aware that some parts are heavy and have sharp edges.
- When using an electric drill, please adjust its speed slowly to avoid screw slippage.

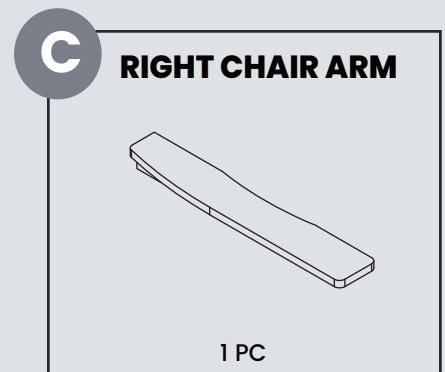
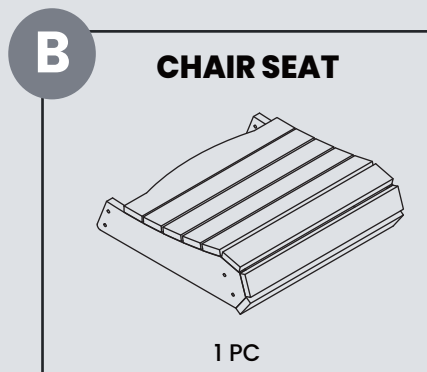
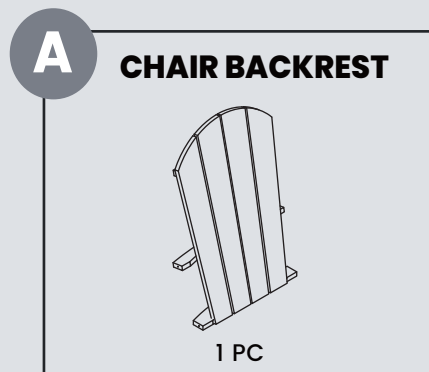
TOOLS REQUIRED



HARDWARE



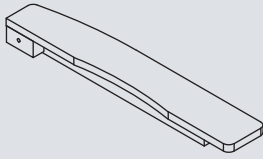
PARTS



PARTS

D

LEFT CHAIR ARM



1 PC

E

RIGHT CHAIR LEG



1 PC

F

LEFT CHAIR LEG



1 PC

G

RIGHT REAR LEG



1 PC

H

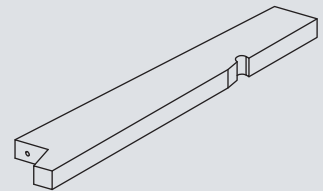
LEFT REAR LEG



1 PC

I

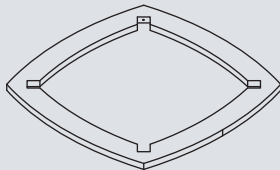
BASE LEG



4 PCS

J

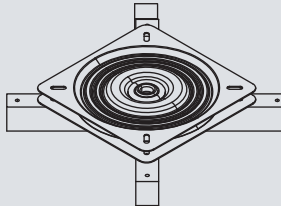
FOOTREST



1 PC

K

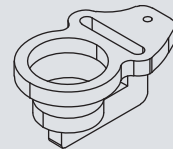
SWIVEL PLATE



1 PC

L

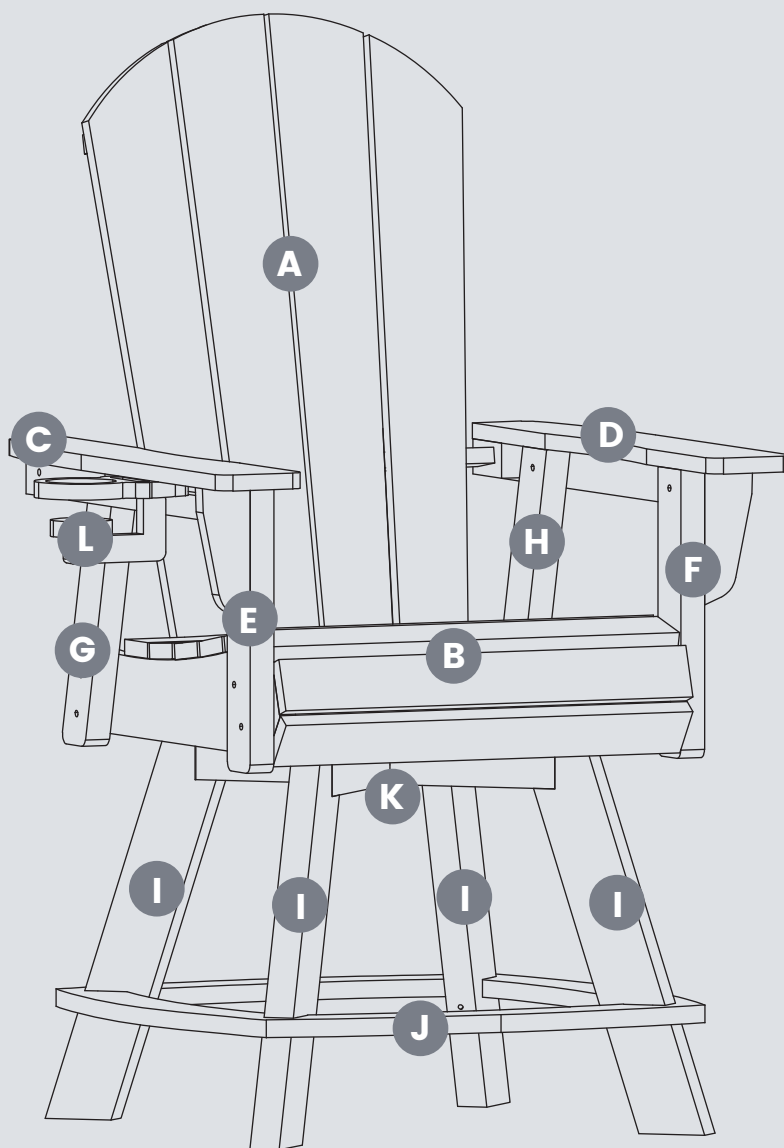
CUP HOLDER



1 PC

PRODUCT ASSEMBLY – OVERALL VIEW

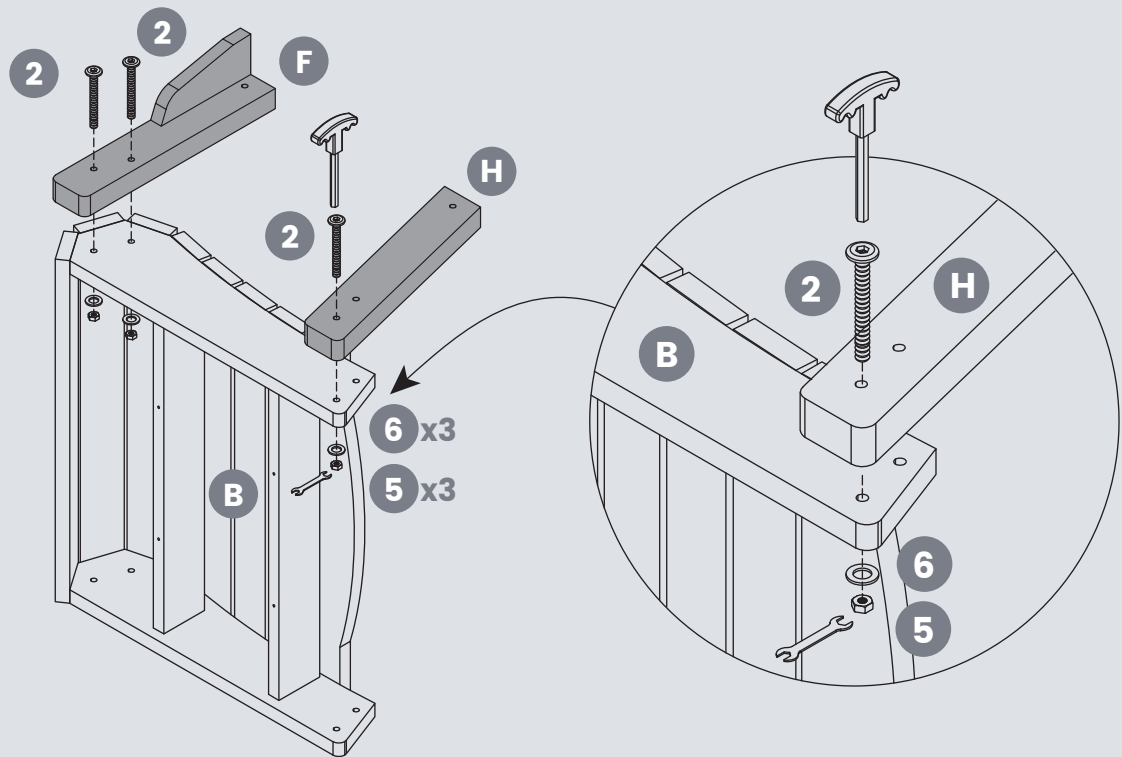
Look at the overall view of this chair and learn the exact position of each part to be assembled.



PRODUCT ASSEMBLY

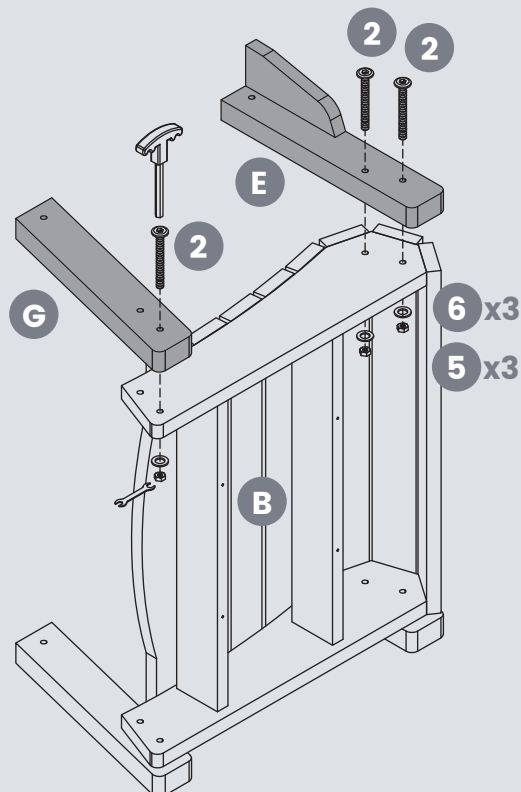
1

Attach **Part F Left Chair Leg** and **Part H Left Rear Leg** to **Part B Chair Seat** with 3 pcs of **Hardware #2 Bolt**, 3 pcs of **Hardware #6 Washer** and 3 pcs of **Hardware #5 Nut**.



2

Attach **Part E Right Chair Leg** and **Part G Right Rear Leg** to **Part B Chair Seat** with 3 pcs of **Hardware #2 Bolt**, 3 pcs of **Hardware #6 Washer** and 3 pcs of **Hardware #5 Nut**.

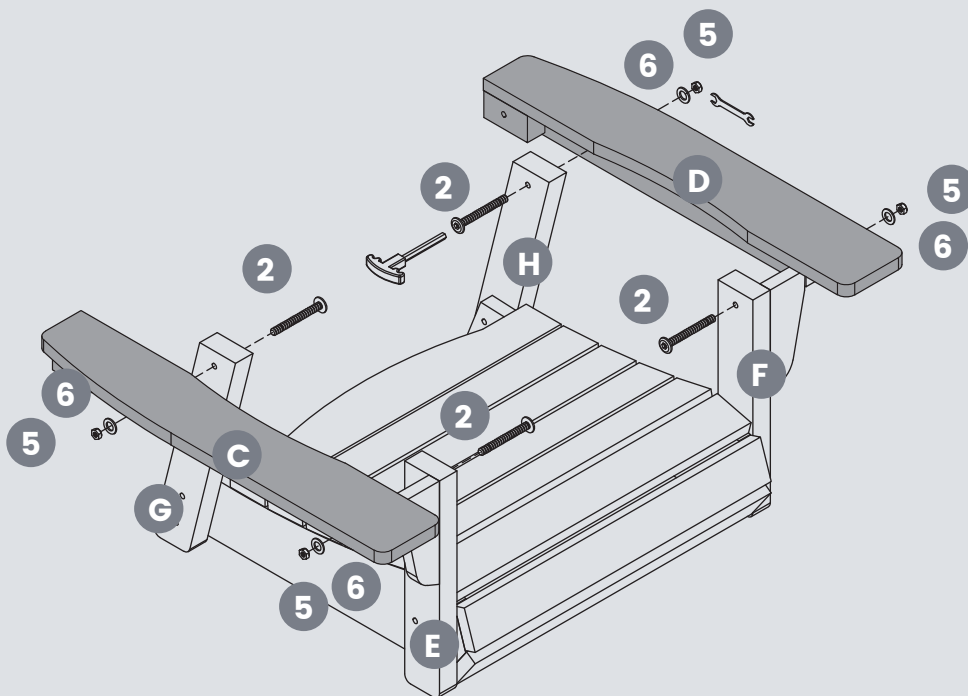


PRODUCT ASSEMBLY

3

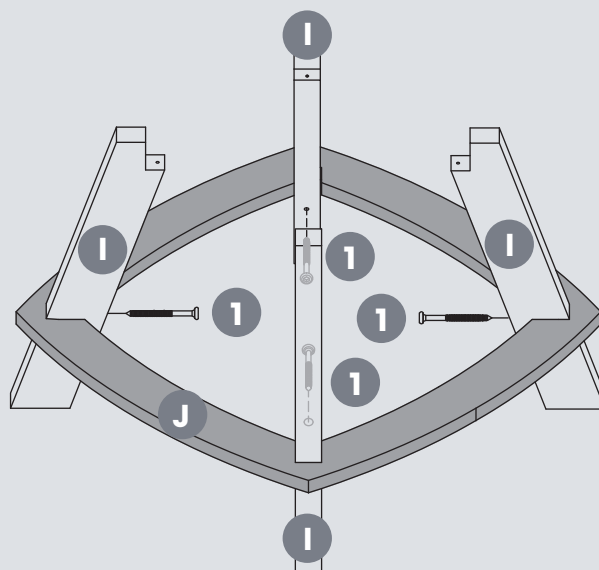
Attach **Part C Right Chair Arm** to **Part E Right Chair Leg** and **Part G Right Rear Leg** with 2 pcs of **Hardware #2 Bolt**, 2 pcs of **Hardware #6 Washer** and 2 pcs of **Hardware #5 Nut**.

Do the same to **Attach Part D Left Chair Arm**.



4

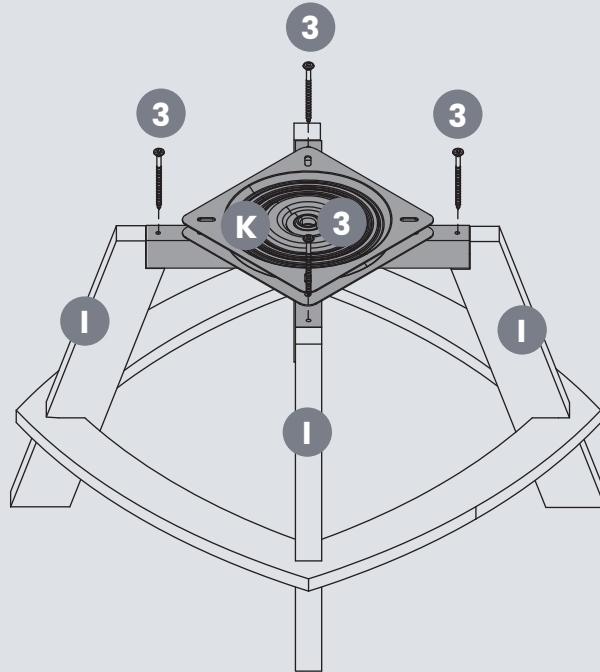
Attach **Part I Base Leg** to **Part J Footrest** with 4 pcs of **Hardware #1 Screw**.



PRODUCT ASSEMBLY

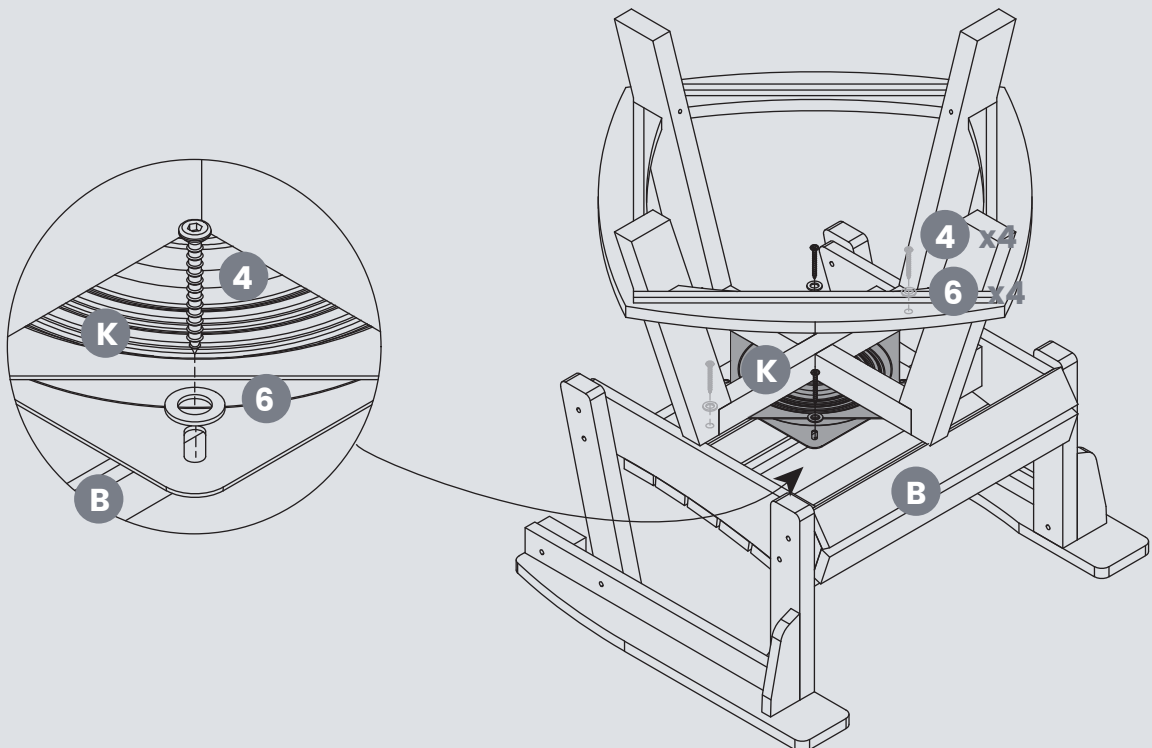
5

Attach **Part K Swivel Plate** to **Part I Base Leg** with 4 pcs of **Hardware #3 Screw**.



6

Attach **Part K Swivel Plate** to **Part B Chair Seat** with 4 pcs of **Hardware #6 Washer** and 4 pcs of **Hardware #4 Screw**.

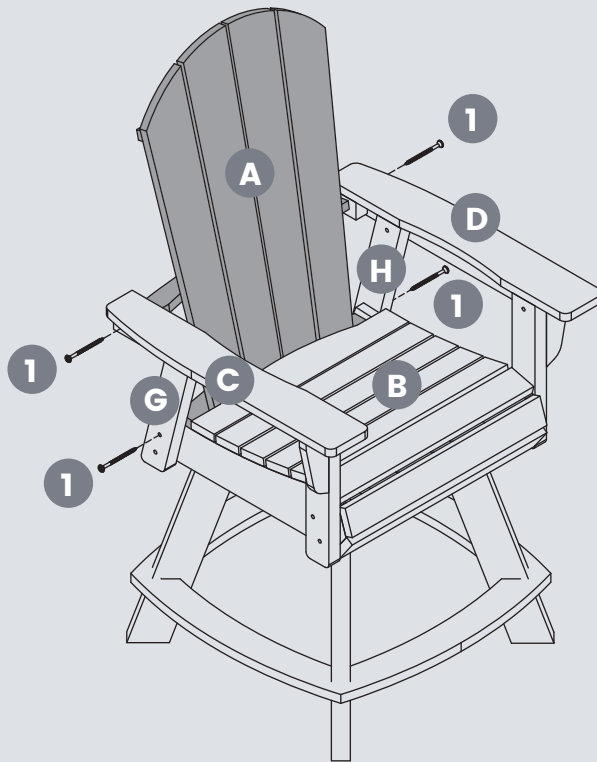


PRODUCT ASSEMBLY

7

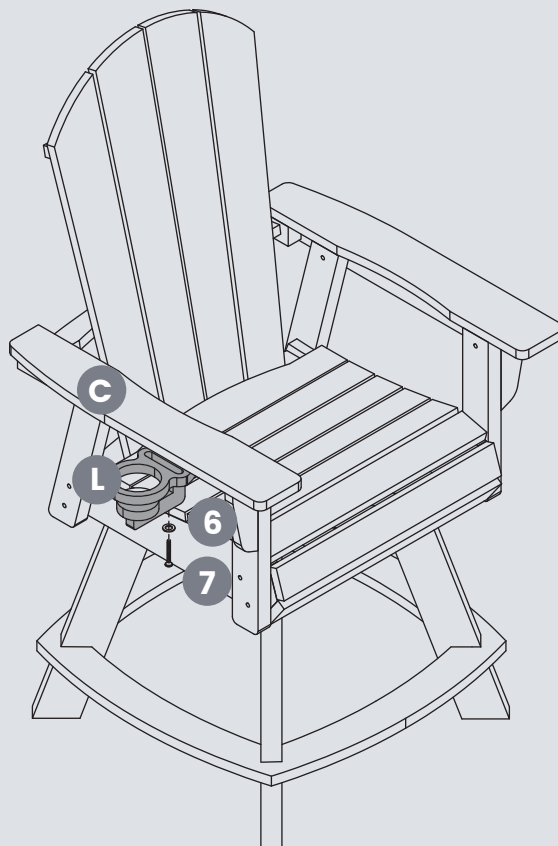
Attach **Part C Right Chair Arm** and **Part D Left Chair Arm** to **Part A Chair Backrest** with 2 pcs of **Hardware #1 Screw**.

Attach **Part G Right Rear Leg** and **Part H Left Rear Leg** to **Part A Chair Backrest** with 2 pcs of **Hardware #1 Screw**.



8

Attach **Part L Cup Holder** to **Part C Right Chair Arm** with 1 pc of **Hardware #6 Washer** and 1 pc of **Hardware #7 Bolt**.



CLEANING TIPS

REGULAR CLEAN: Use a mixture of warm water and mild soap. Gently scrub the surface with a soft bristle brush to remove any dirt or stains.

QUICK CLEAN: You can simply wipe down the furniture with a damp cloth.

Regular cleaning not only preserves the aesthetic appeal of your furniture, but also helps extend its lifespan.