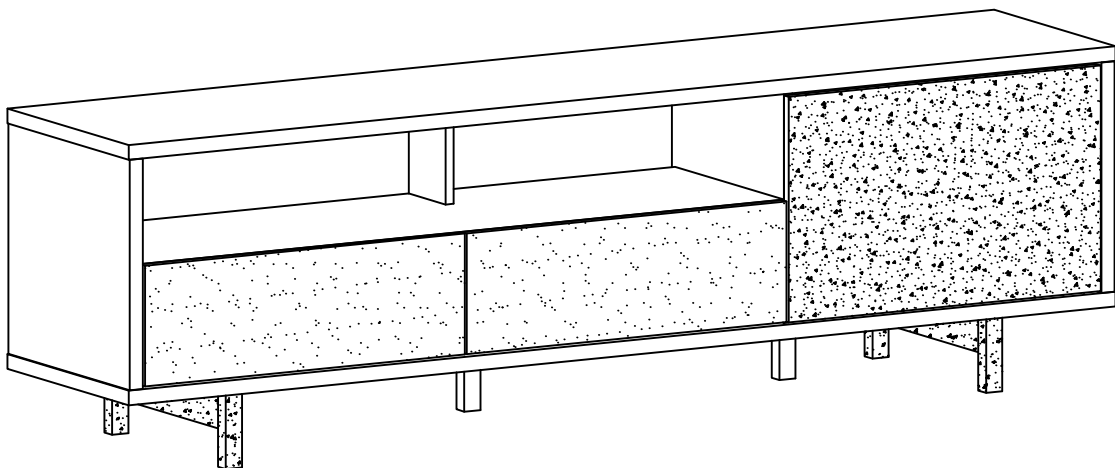


# ASSEMBLY INSTRUCTION

---

ITEM#: 151362



# ASSEMBLY INSTRUCTION

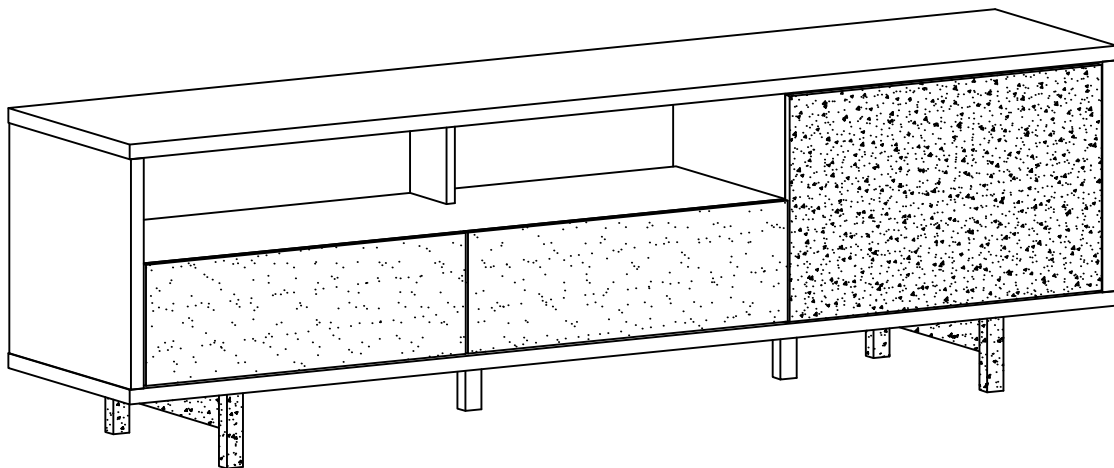
## **PLEASE READ BEFORE ASSEMBLING!**

Tip #1: Make sure you've taken all the pieces and hardware out of its packaging before discarding the box.

Tip #2: Using page 2 and/or page 3 of instruction manual make sure all pieces and hardware are accounted for.

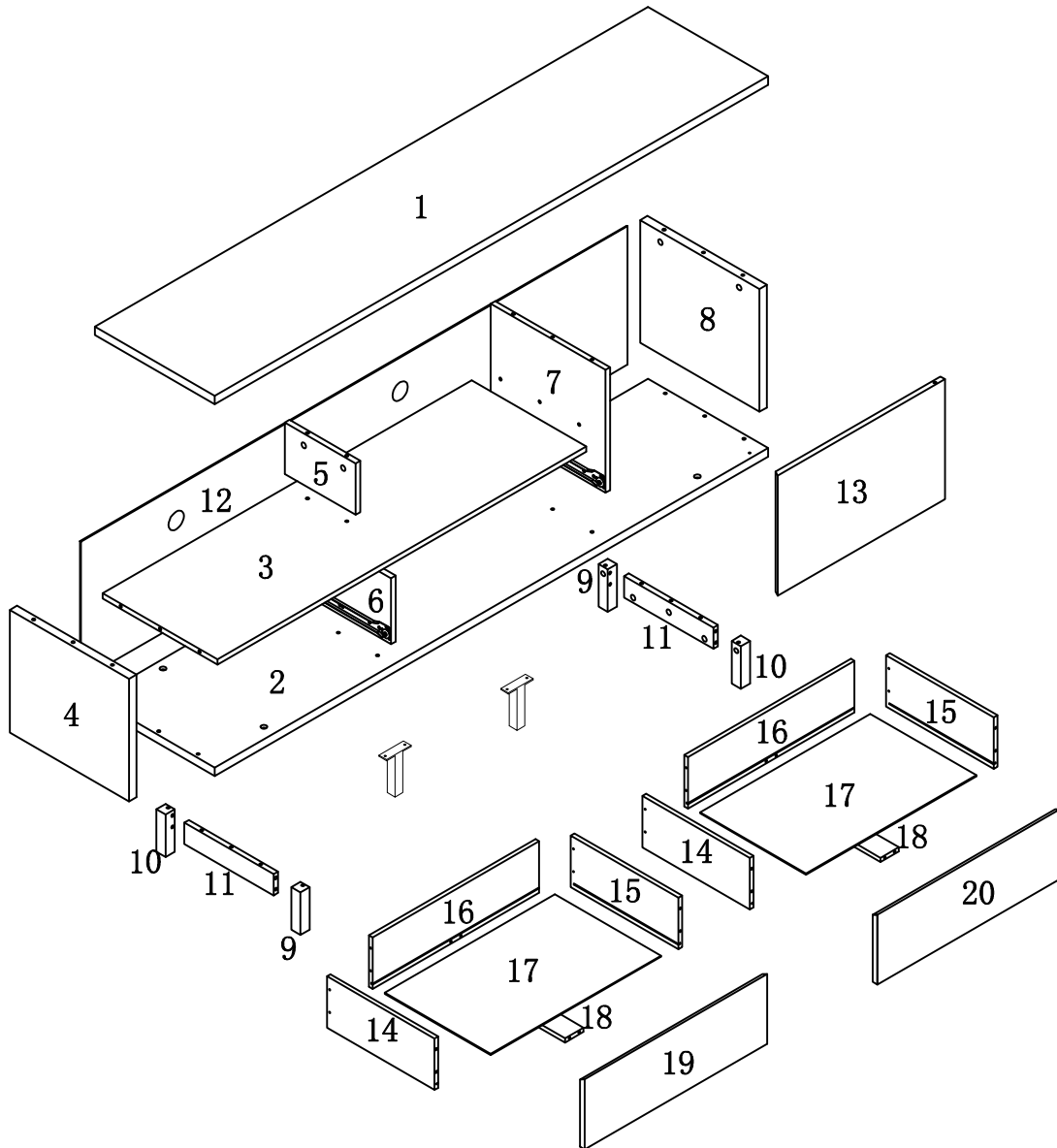
Tip #3: Read manual before assembling, it helps!

ITEM#: 151362



# PARTS IDENTIFICATION



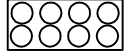

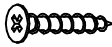
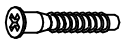

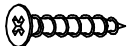


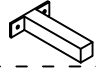

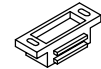



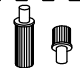
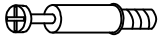


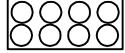
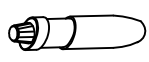
ITEM#: 151362



(1)	1pc	(8)	1pc	(15)	2pcs
(2)	1pc	(9)	2pcs	(16)	2pcs
(3)	1pc	(10)	2pcs	(17)	2pcs
(4)	1pc	(11)	2pcs	(18)	2pcs
(5)	1pc	(12)	1pc	(19)	1pc
(6)	1pc	(13)	1pc	(20)	1pc
(7)	1pc	(14)	2pcs		

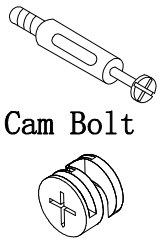
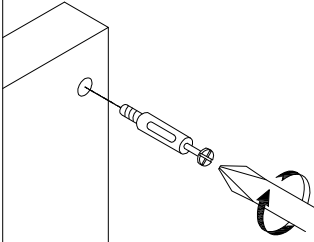
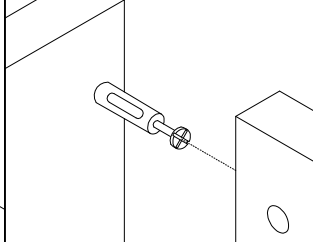
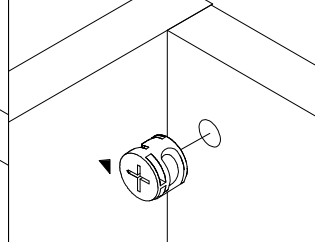
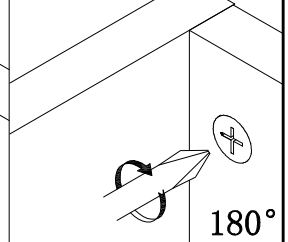
# HARDWARE IDENTIFICATION

ITEM#: 151362

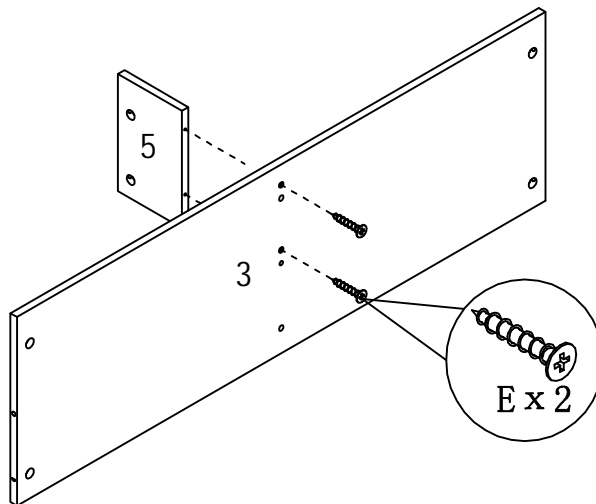
A		L29	24pcs
B		Ø15	24pcs
C		Ø20 (BLK3)	8pcs
D		Ø8x25	14pcs
E		Ø4x30	14pcs
F		M7x48	4pcs
G		Ø8xØ16x2	4pcs
H		Ø4x40	4pcs
I			46pcs
J		Ø16	4pcs
K		80x25x122H	2pcs
L		Ø4x16	4pcs
M			1pc
N		Ø3x16	2pcs
O			1pc
P		Ø3x14	2pcs
Q			1pc
R		L20	8pcs
S		Ø12	8pcs
T		Ø6x30	4pcs
U		Ø20 (DGY)	10pcs
V		Glue: For securing please apply to wood dowel first before inserting into panel	1pc

# ASSEMBLY INSTRUCTION

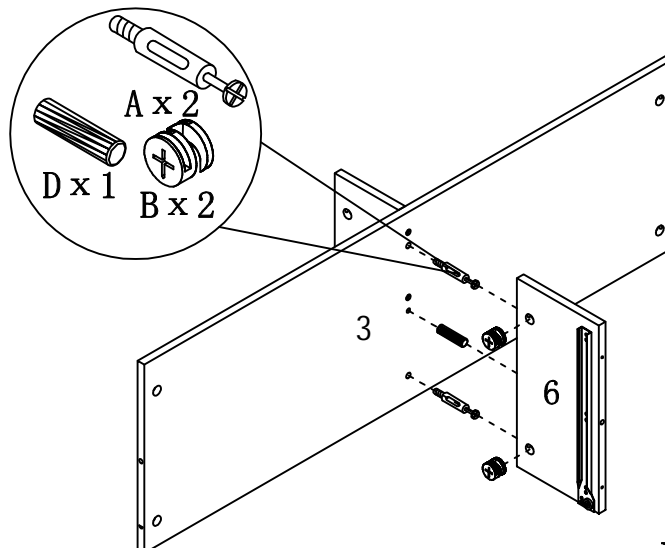
ITEM#: 151362

<p>HOW TO</p>  <p>Cam Bolt</p> <p>Cam Lock</p>	<p>1</p>  <p>1. Screw Cam Bolt into panel.</p>	<p>2</p>  <p>2. Insert Cam Bolt into bolt hole of joining panel.</p>	<p>3</p>  <p>3. Insert Cam Lock. arrow facing bolt.</p>	<p>4</p>  <p>4. Gently turn Cam Lock clockwise to lock position. 180°</p>
---	---	---	---	--

## STEP 1

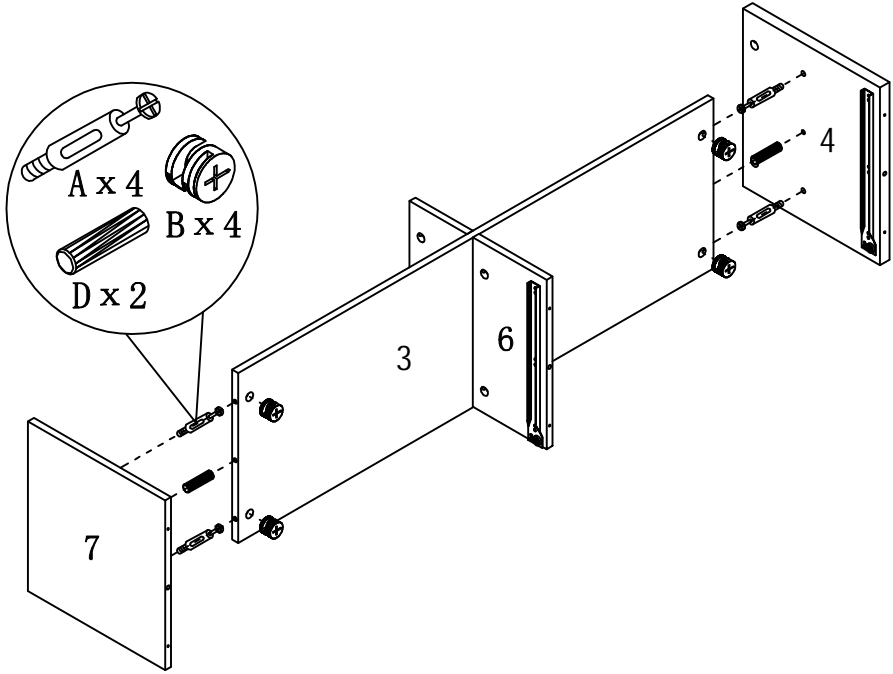


## STEP 2



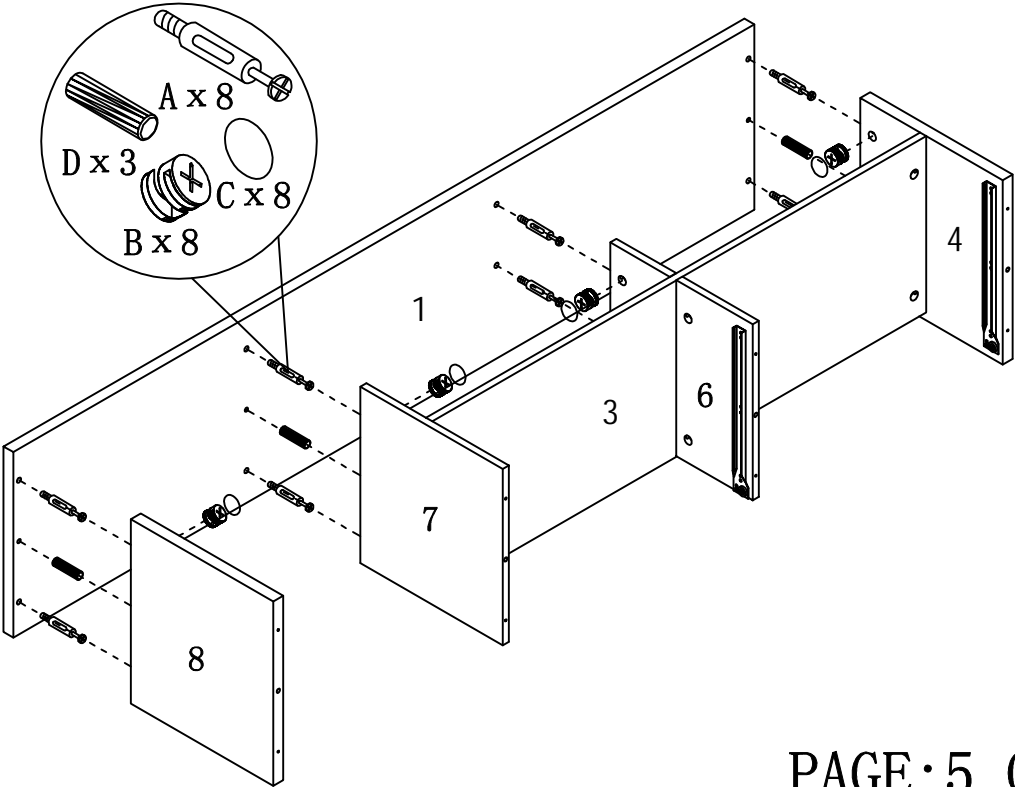
# ASSEMBLY INSTRUCTION

ITEM#: 151362



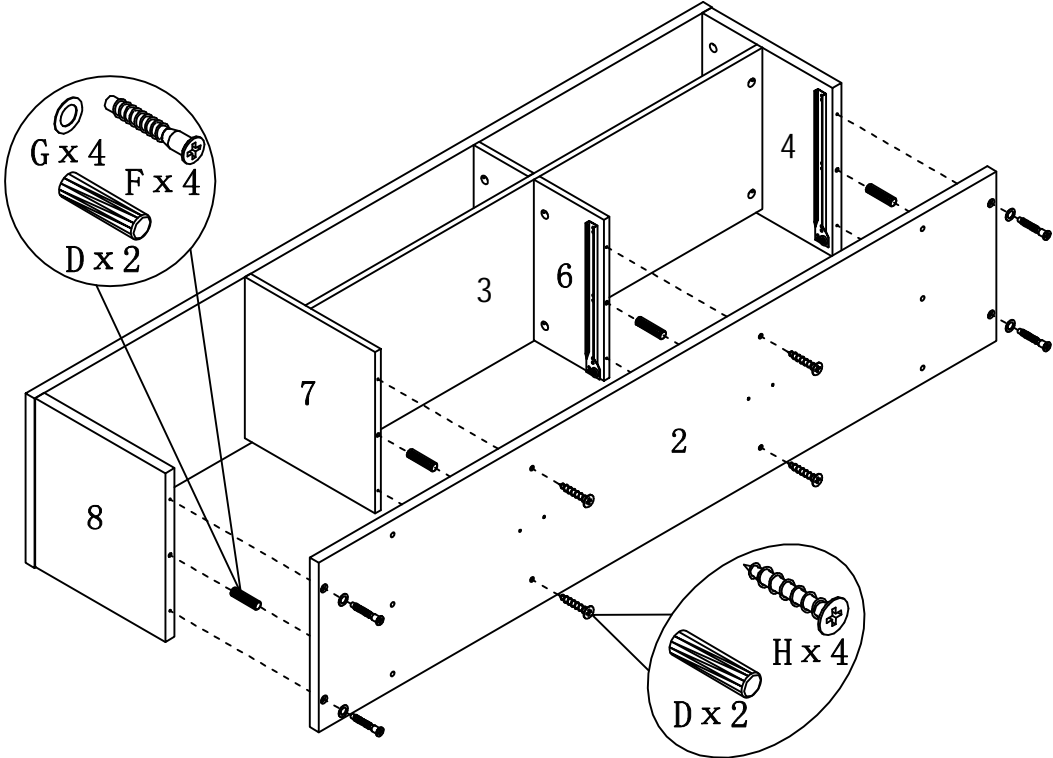
STEP3

STEP4



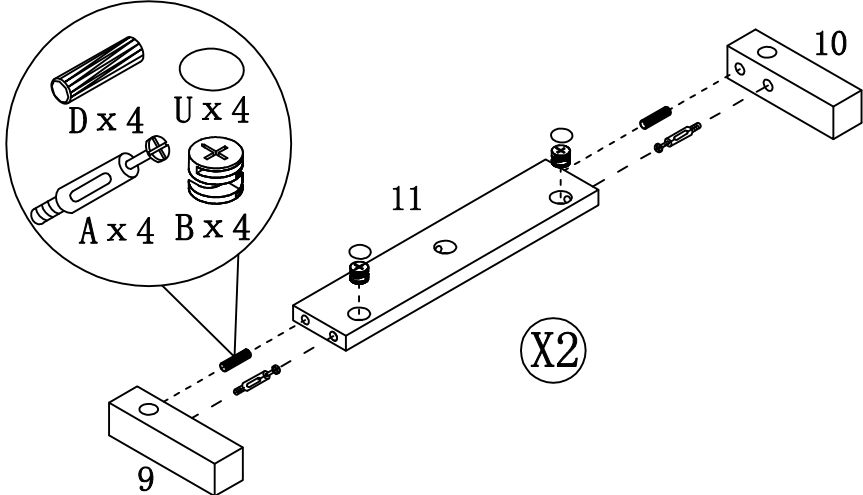
# ASSEMBLY INSTRUCTION

ITEM#: 151362



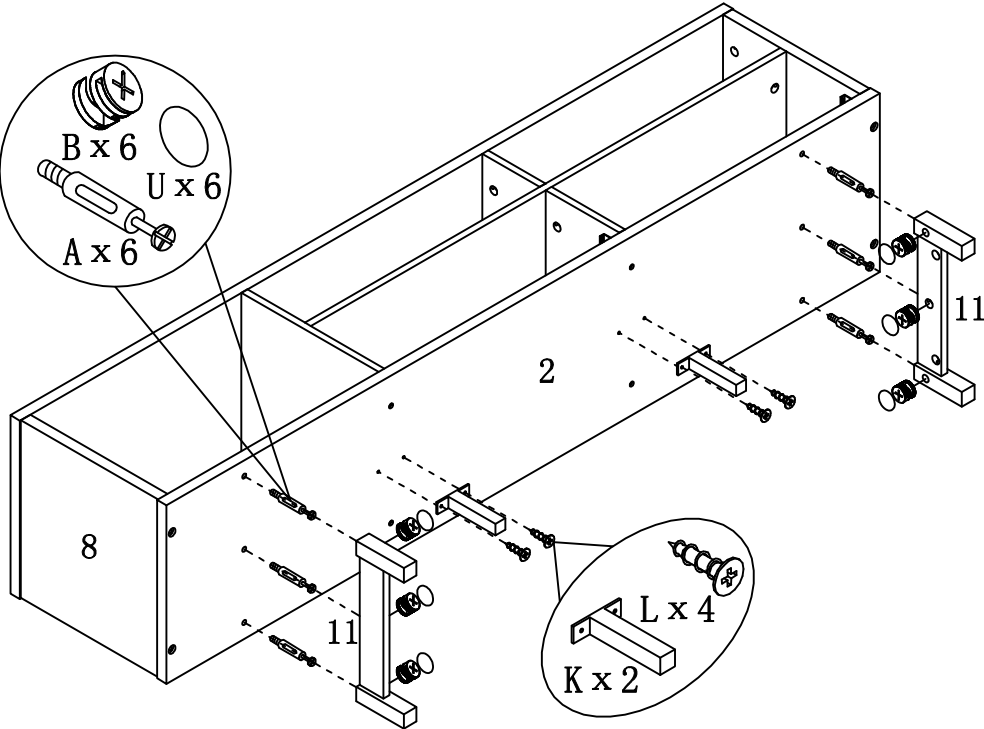
STEP5

STEP6



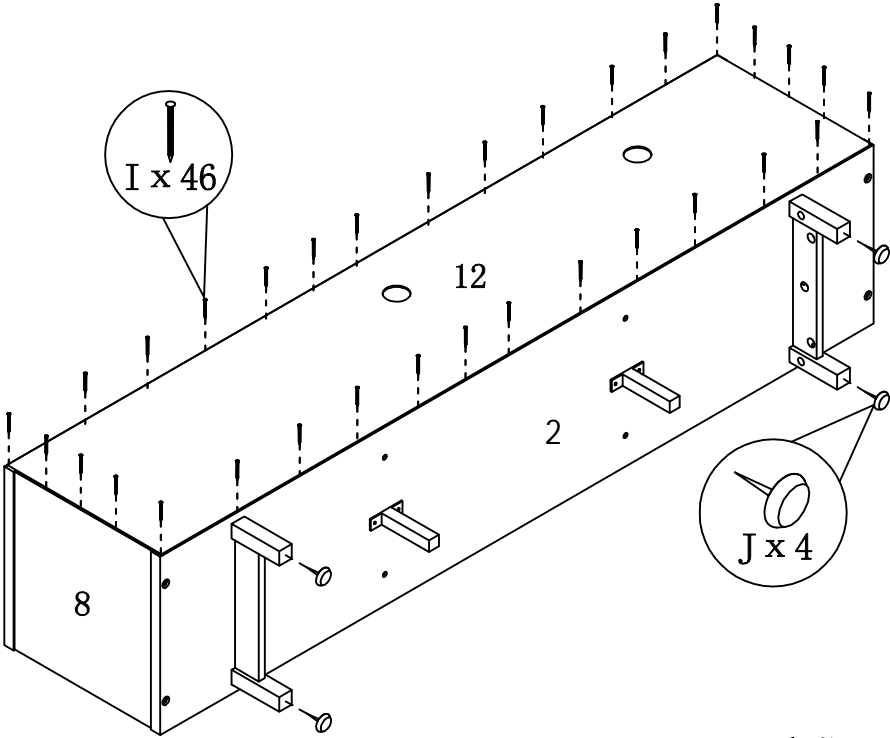
# ASSEMBLY INSTRUCTION

ITEM#: 151362



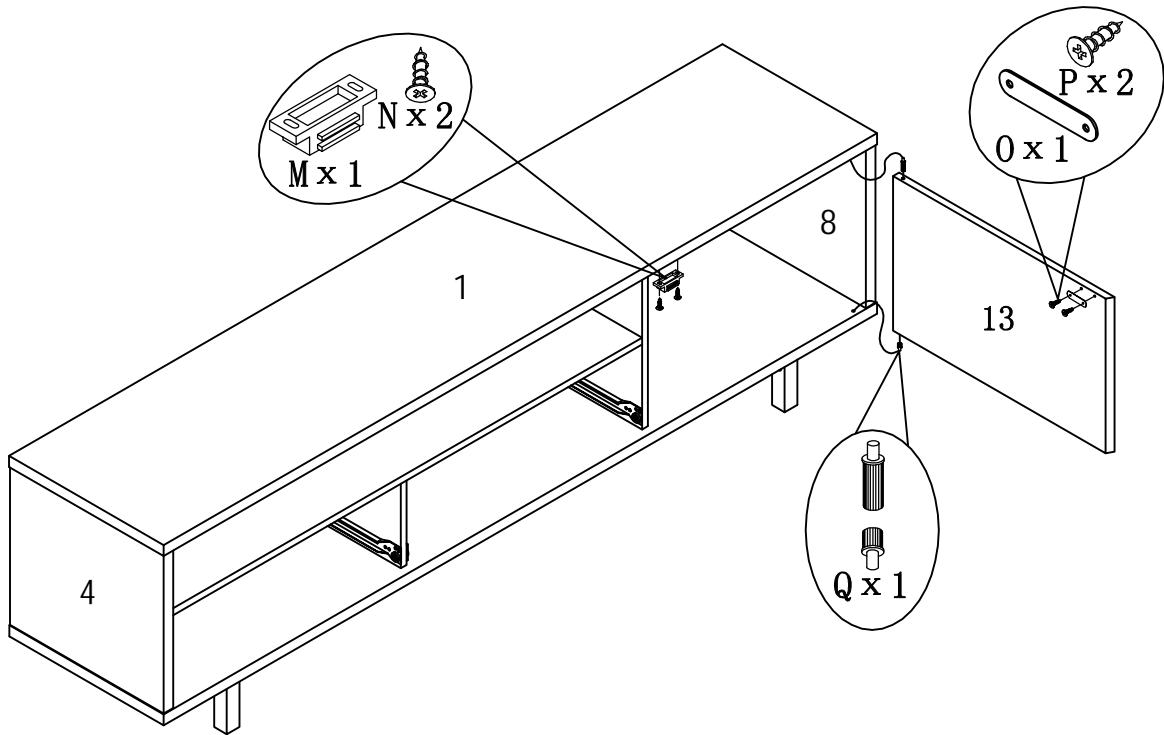
STEP 7

STEP 8



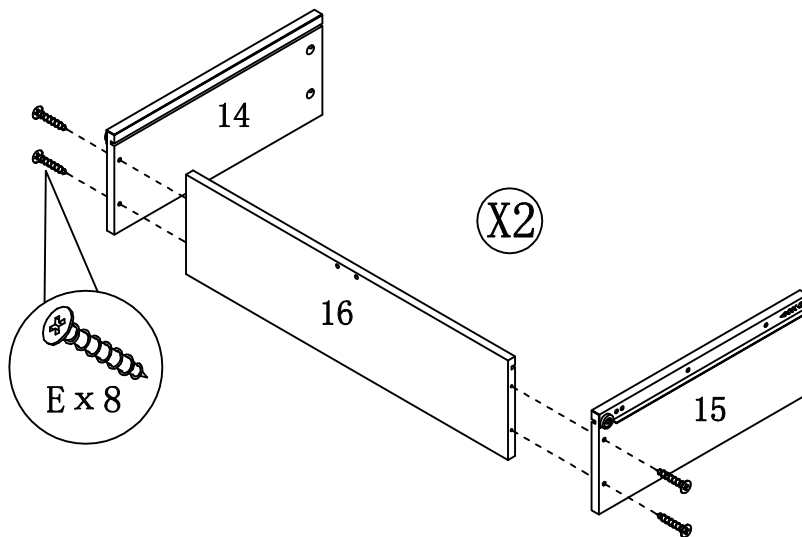
# ASSEMBLY INSTRUCTION

ITEM#: 151362



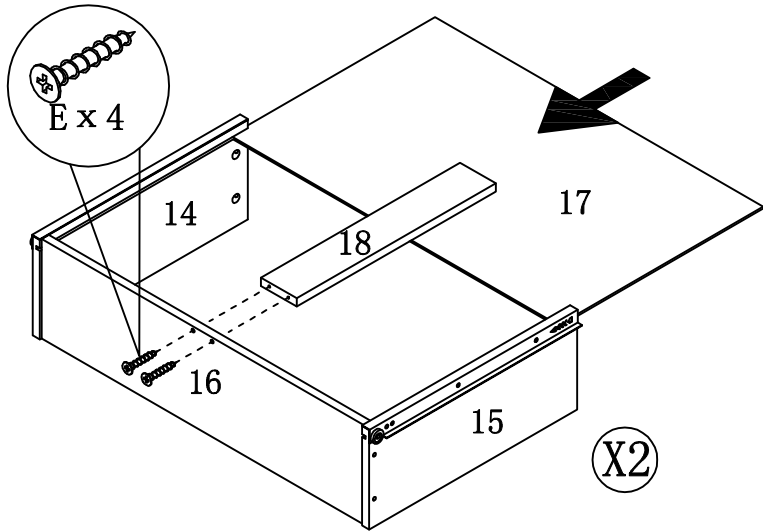
STEP9

STEP10



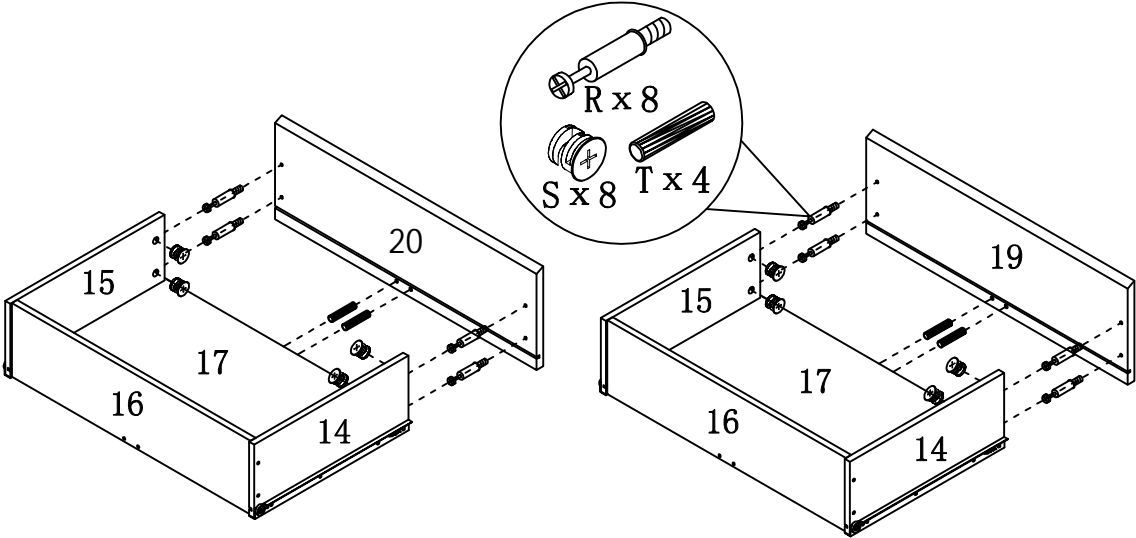
# ASSEMBLY INSTRUCTION

ITEM#: 151362



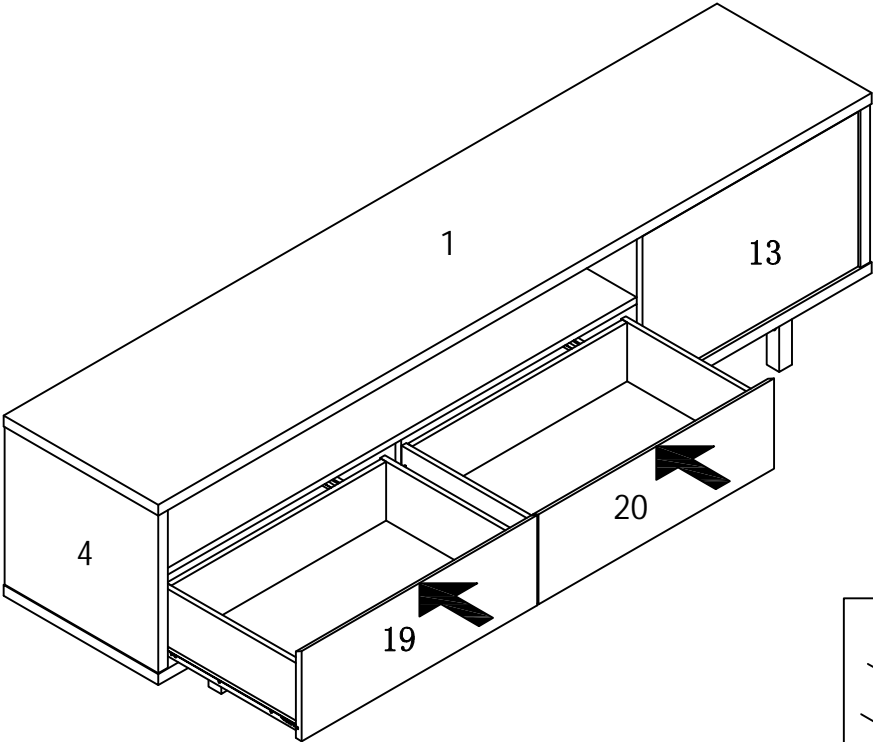
STEP 11

STEP 12



# ASSEMBLY INSTRUCTION

ITEM#: 151362



STEP 13

STEP 14

