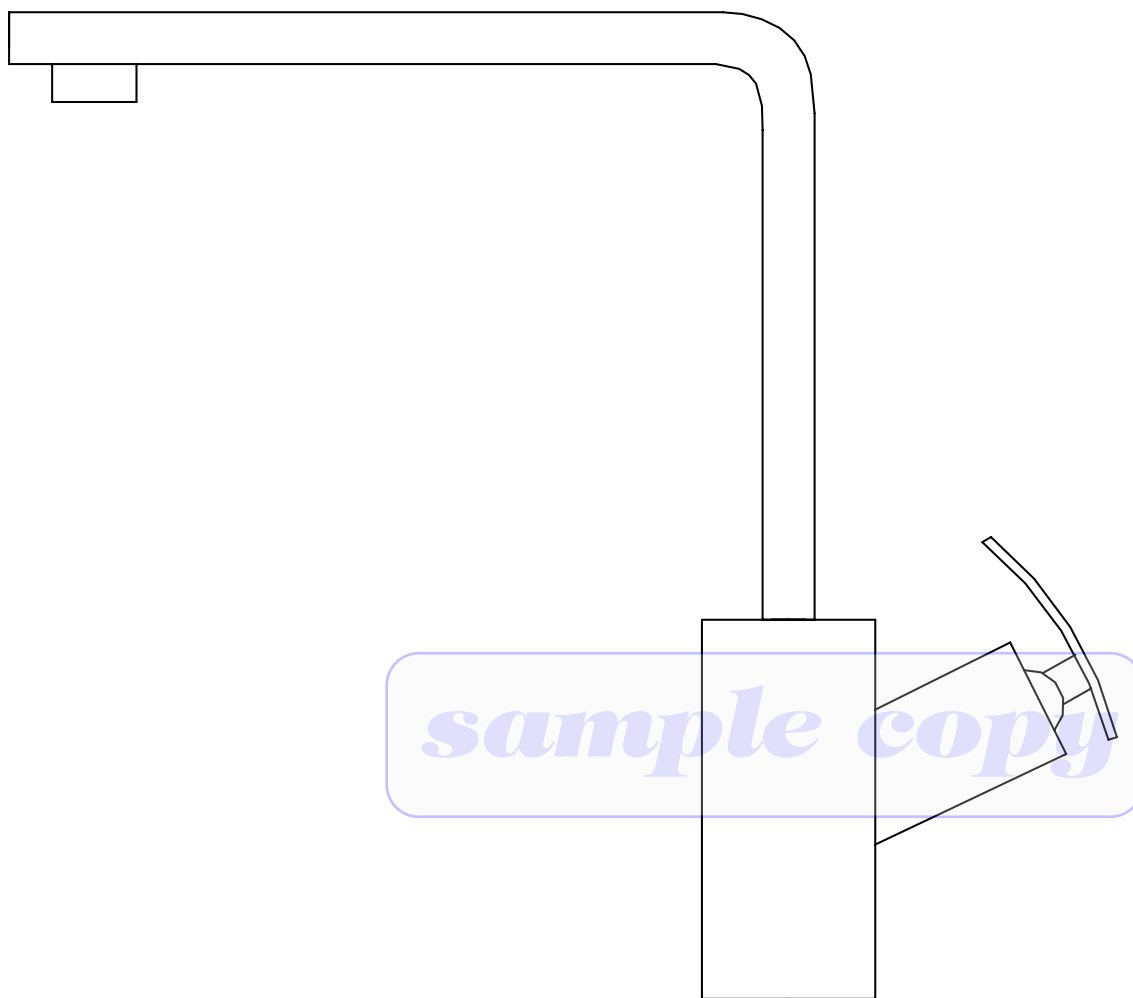


DATASHEET AND MEASUREMENT

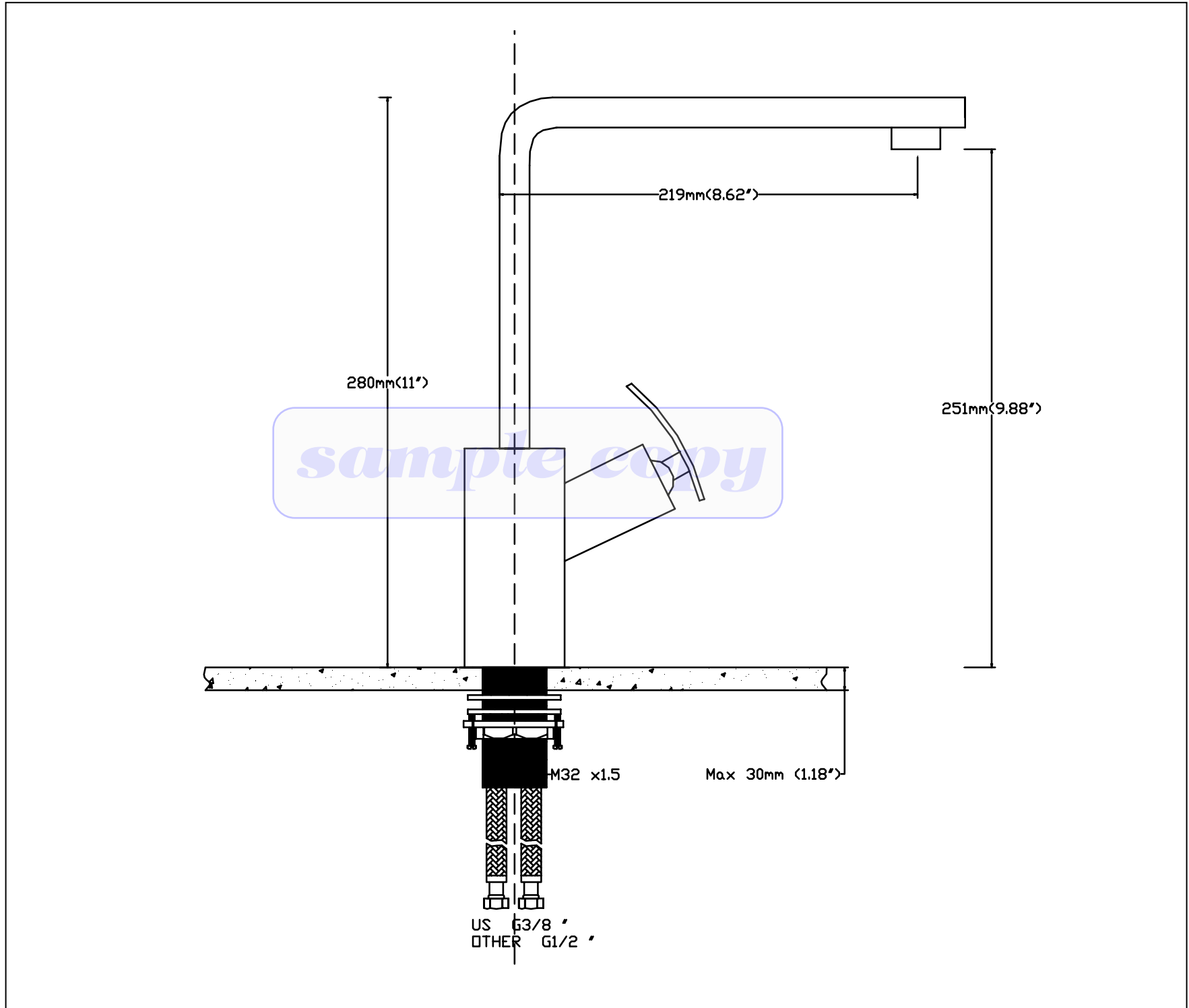


SINGLE HANDLE KITCHEN FAUCET

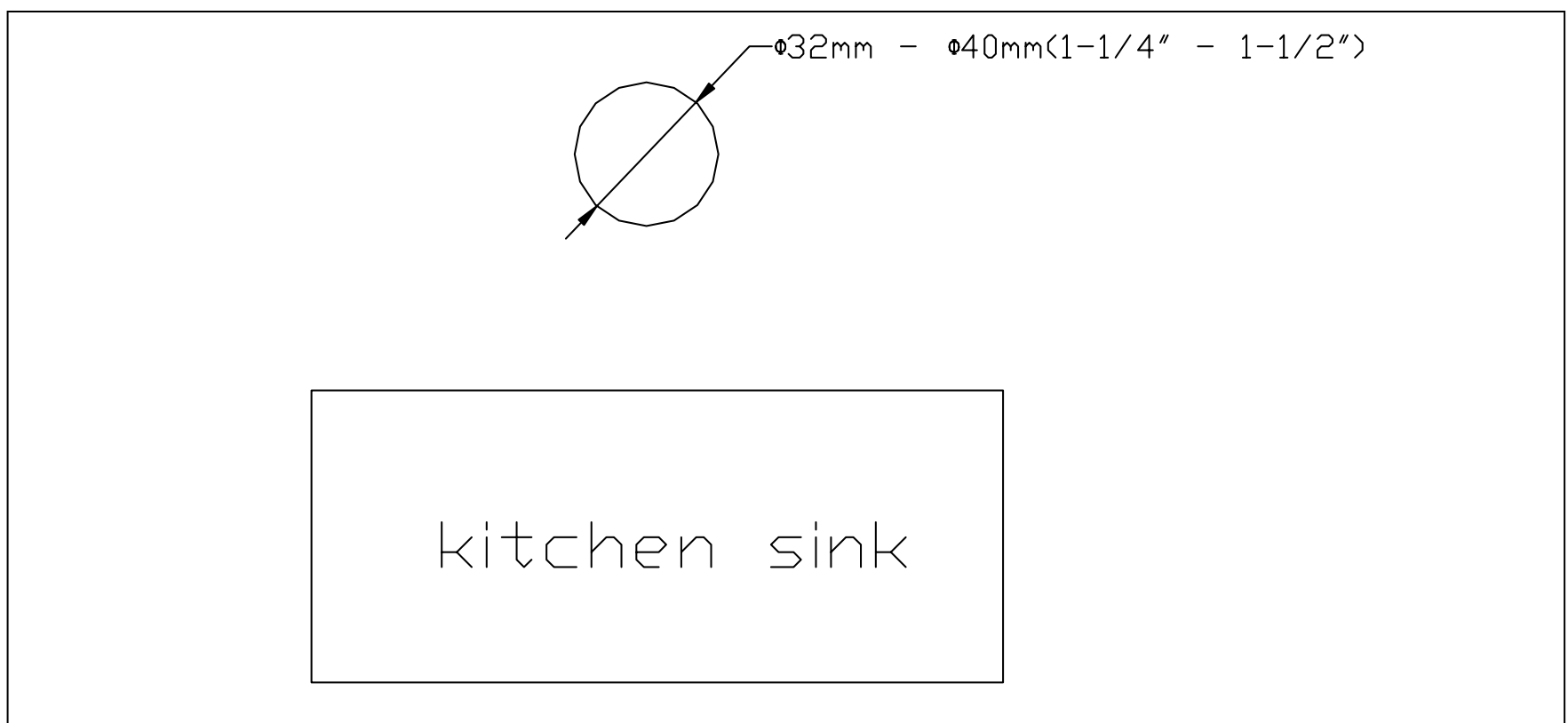
FUNCTIONS AND SPECIFICATION

Faucet type	Kitchen Faucets
Theme	Modern ,Contemporary
Finish	Chrome
Installation Holes	One Hole
Number of Handles	One
Handle style	Lever
Faucet Total Height	280mm [11.0 Inch]
Spout Reach	219mm [8-5/8 Inch]
Spout Height	251mm [9-7/8 Inch]
Max deck thickness	30mm [1-3/16 Inch]
Installation type	Deck mount
Pullout Spray	NO
Pullout direction	NO
Spout Type	Swivel
Spout Swivel	360
Valve Type	Ceramic disc
Faucet Body Material	Brass
Faucet Spray Material	-
Handle Material	Zinc Alloy
Net Weight	2.05 KG [4.52 lbs]
Gross Weight	2.40 KG [5.29 lbs]
Working water press	0.2 ~0.8 Mpa
Flow Rate	5.7L/M [1.5 GPM]
Packing box size	450mm(17-11/16") x 260mm(10-1/4") x 70 mm(2-3/4")

DIMENSION

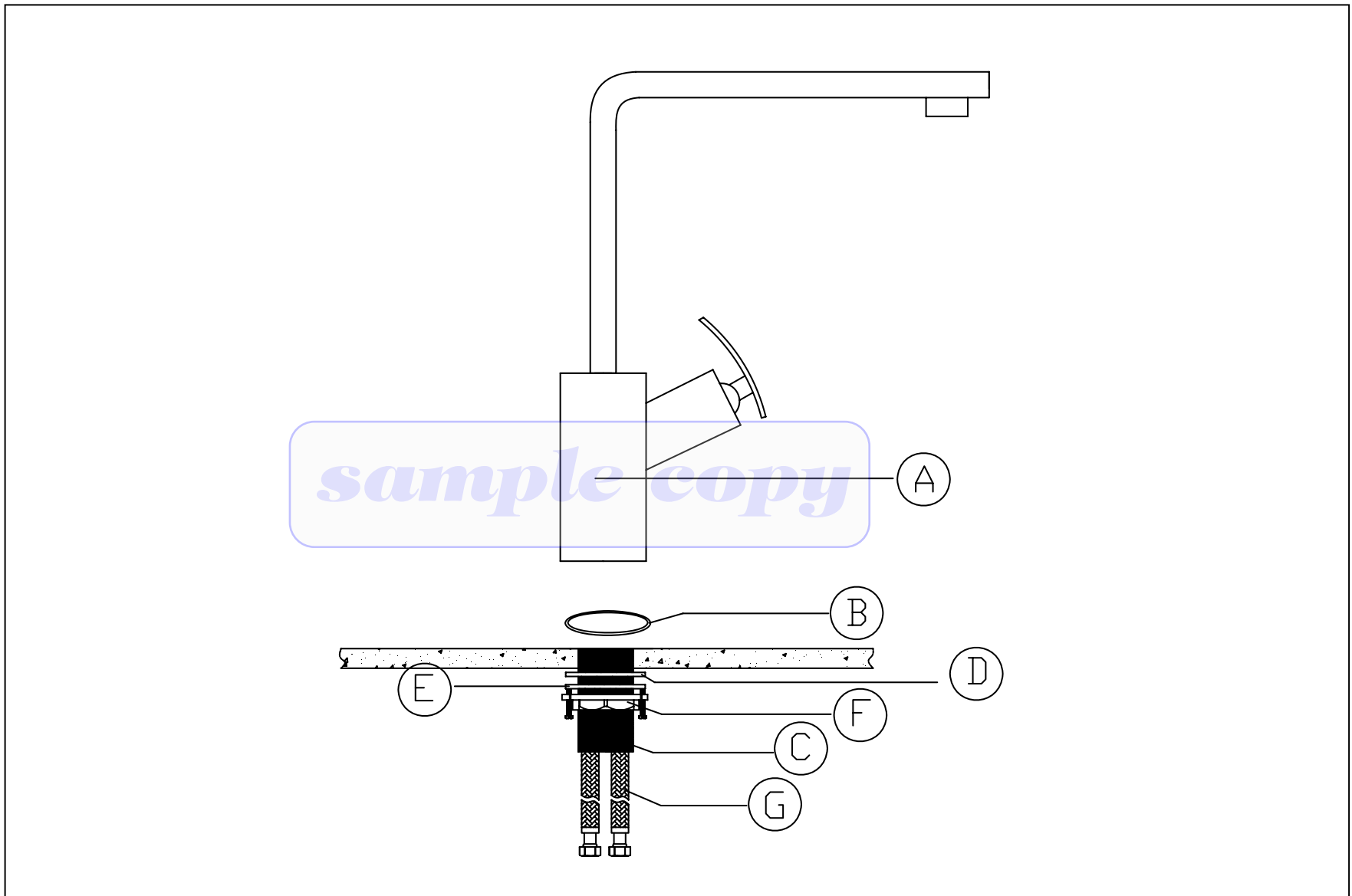


SIDE VIEW OF FAUCET



MOUNTING HOLE DIMENSION

ACCESSORIES LIST



CODE	ITEM NAME	QTY	CODE	ITEM NAME	QTY
A	Faucet body	1PCS	B	O-Ring	1PCS
C	Shank	1PCS	D	Rubber washer	1PCS
E	Metal washer	1PCS	F	Shank lock nut	1PCS
G	hose	2PCS			



HONGKONG SUMERAIN SANITARY INDUSTRY CO.,LIMITED

Address: ROOM 1018, HOLLYWOOD PLAZA 610 NATHAN ROAD MONGKOK, KL
Factory Address: Shuikou Industrial Park, Kaiping City, Guangdong Province, China (Mainland)
Tel: +86-750-2731579
Toll Free: 400-0999-075 (China mainland)
Fax: +86-750-2715258
Web: www.sumerain.com
E-mail: hk@sumerain.com

SUMERAIN INTERNATIONAL GROUP – AMERICA SALE BRACH

Address: 13455 Harper Dr.
Saratoga, CA 95070
USA
Tel: +1-408-867-8884
FAX: +1-408-867-4272
E-mail: us@sumerain.com